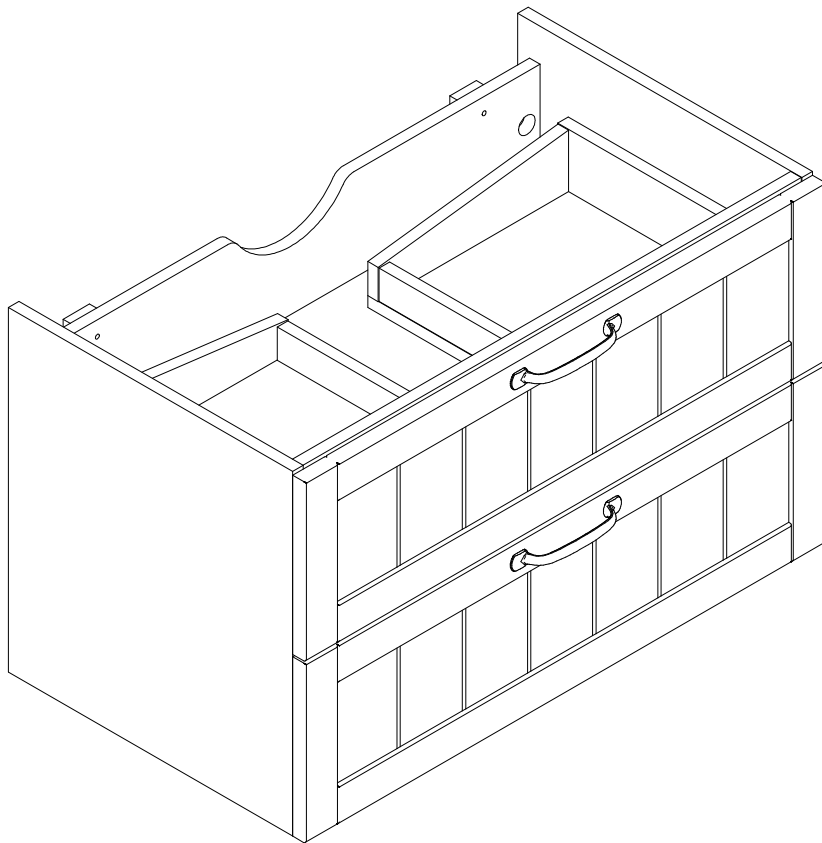

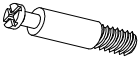
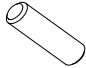

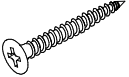
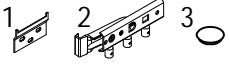

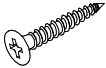
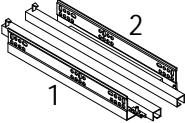


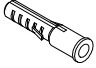

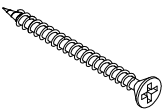
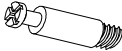
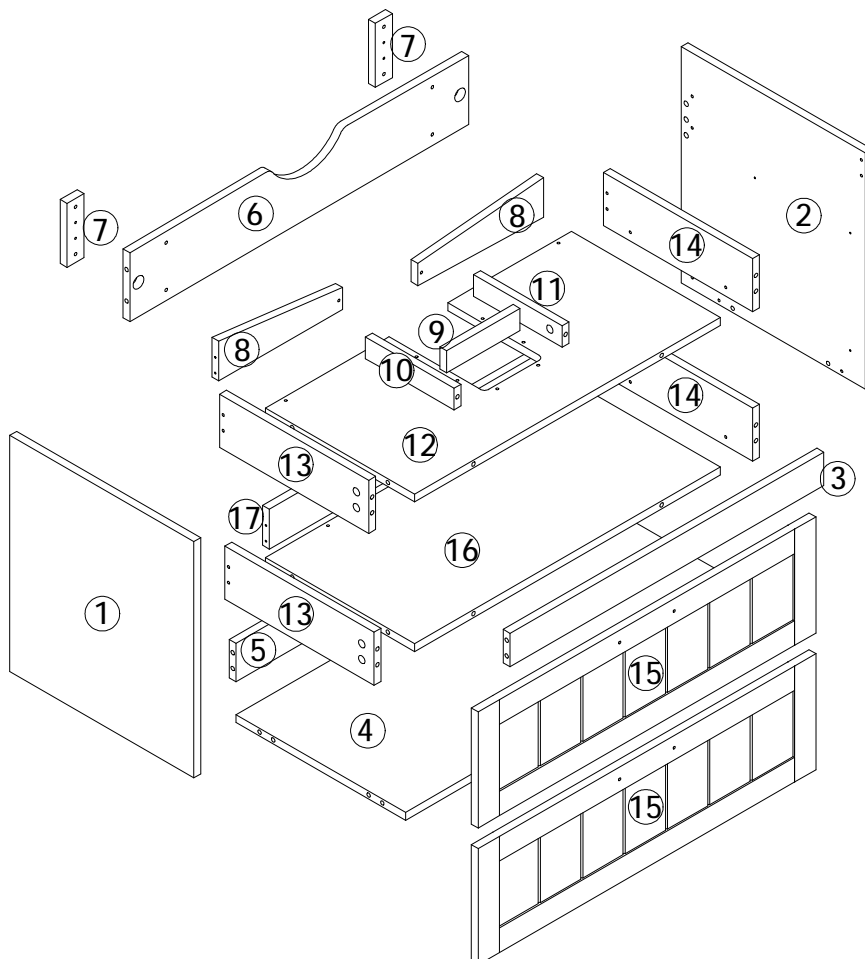


Assembly Instructions



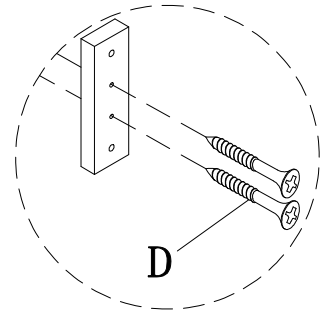
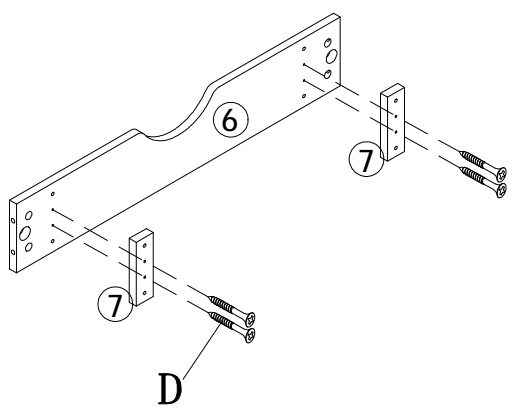
Assembly Instructions

<p>Ø15x12</p>  <p>A x 40</p>	<p>Ø7x38</p>  <p>B x 36</p>	<p>Ø8x30</p>  <p>C x 4</p>	<p>Ø3.5x25</p>  <p>D x 4</p>
<p>Ø4x40</p>  <p>E x 20</p>	<p>Hanging code</p>  <p>F x 2</p>	 <p>G x 2</p>	<p>Ø3.5x14</p>  <p>H x 28</p>
<p>14"</p>  <p>I x 2</p>	 <p>J x 2</p>	<p>M4x20</p>  <p>K x 4</p>	<p>Ø7.8x38</p>  <p>L x 10</p>
<p>Ø5x50</p>  <p>M x 6</p>	<p>Ø5x70</p>  <p>N x 4</p>	<p>Ø7x35</p>  <p>O x 4</p>	



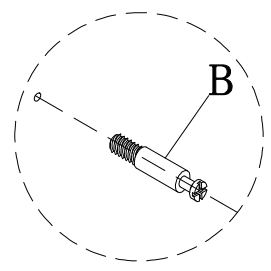
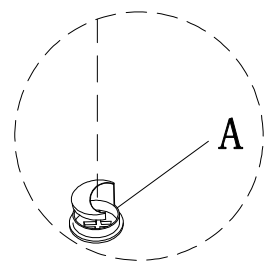
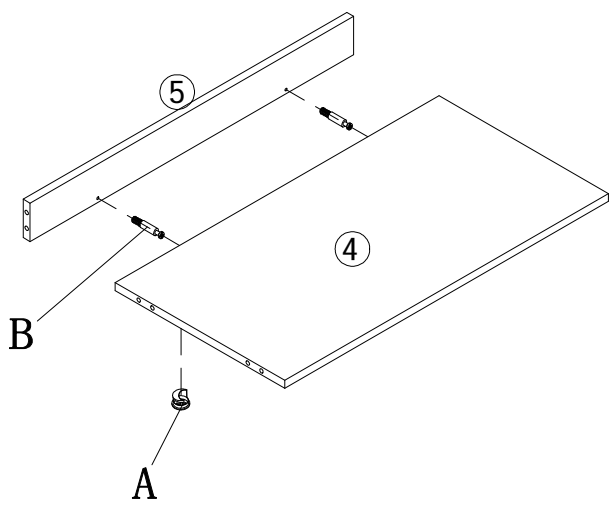
STEP 1

Dx4



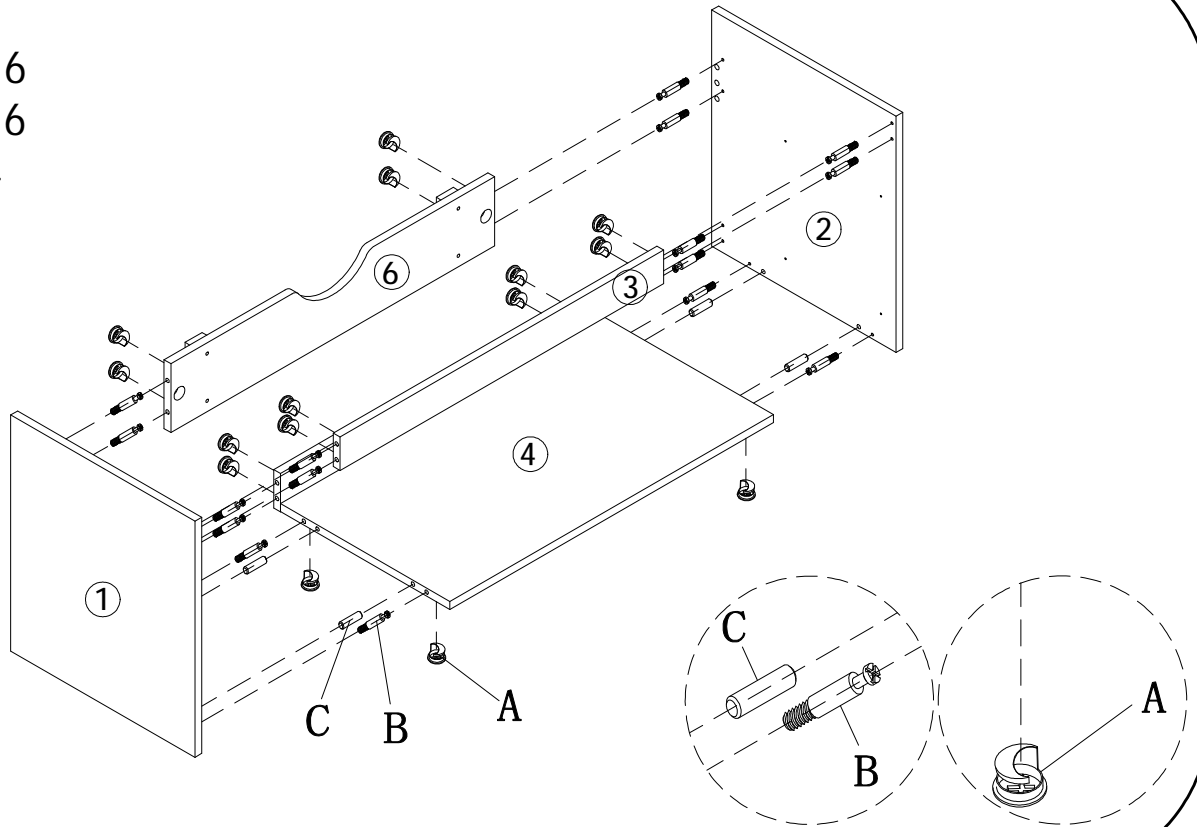
STEP 2

Ax2
Bx2



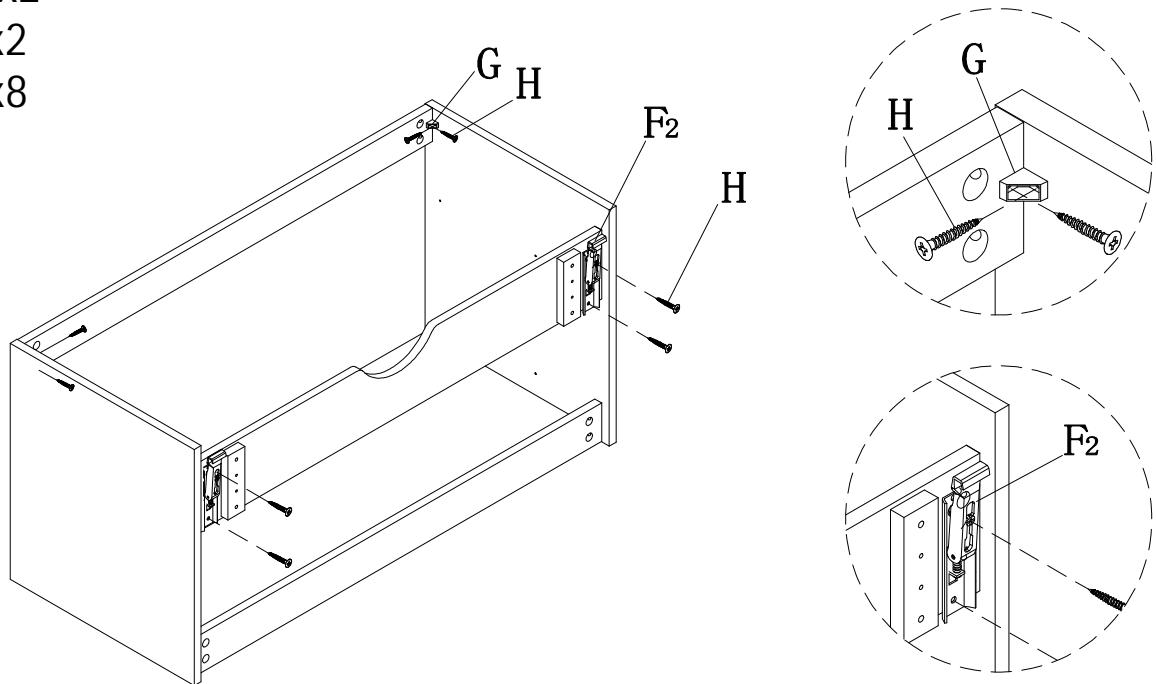
STEP 3

Ax16
Bx16
Cx4



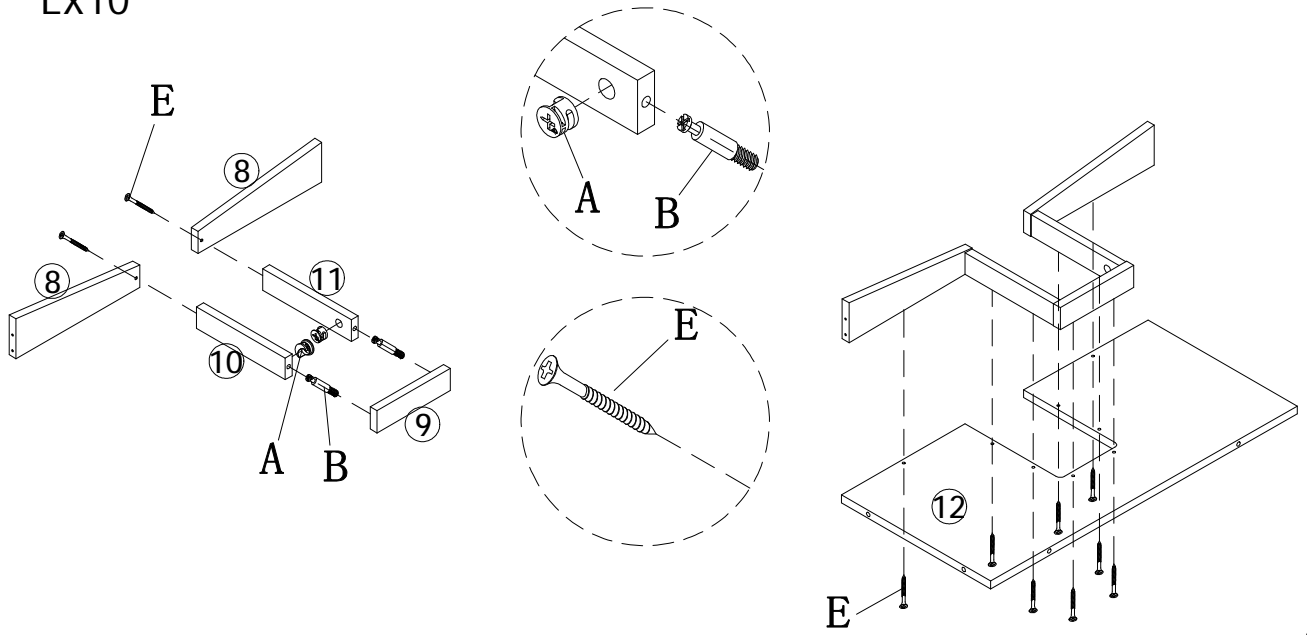
STEP 4

F₂X2
Gx2
Hx8



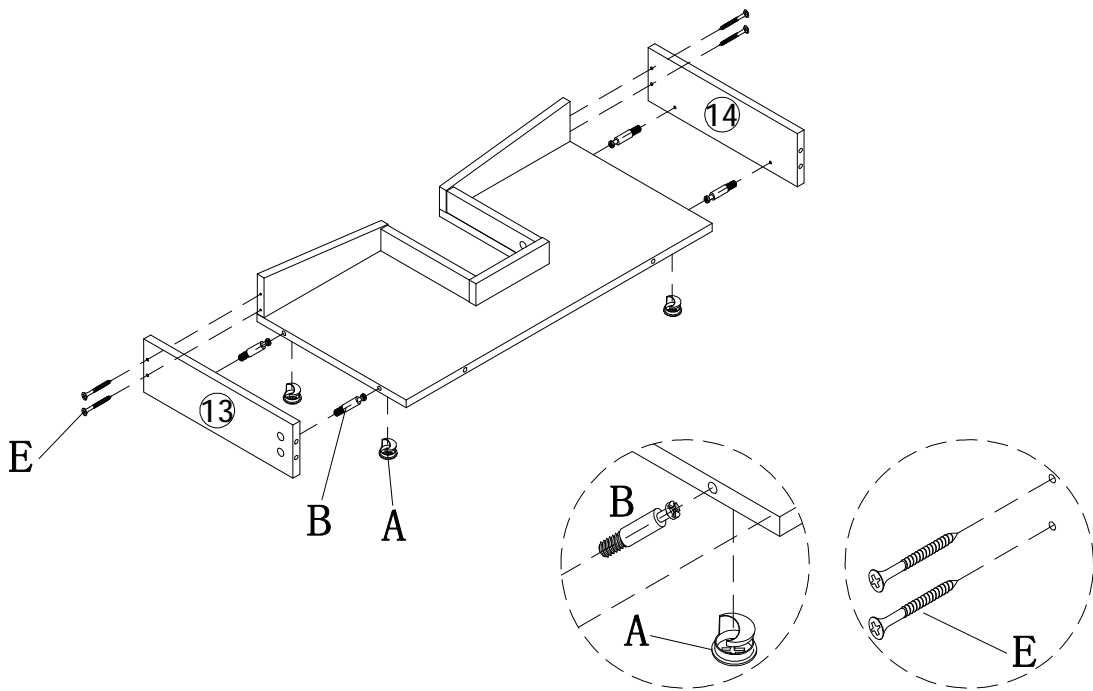
STEP 5

Ax2
Bx2
Ex10



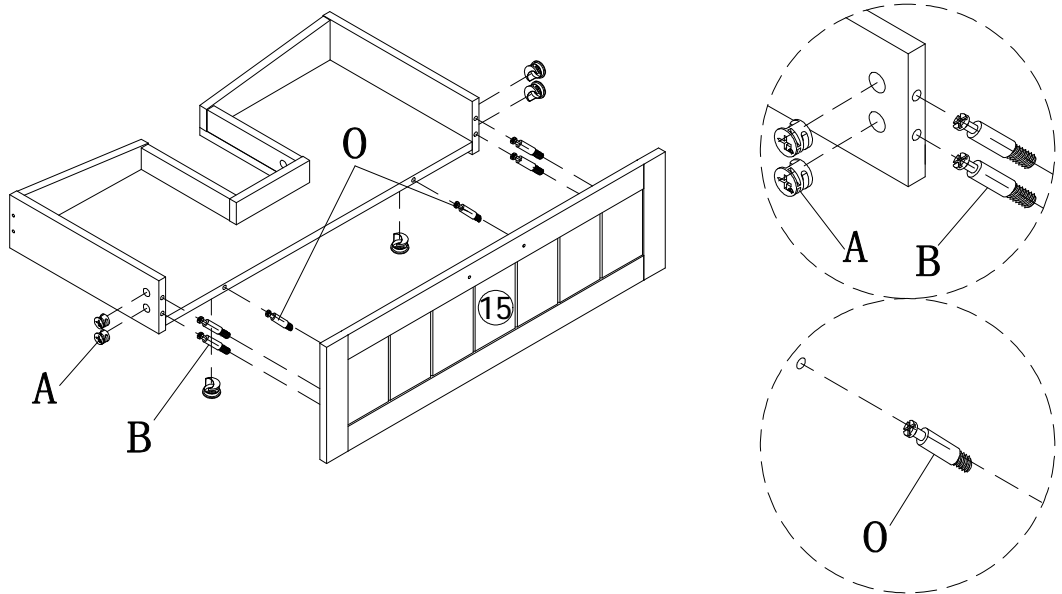
STEP 6

Ax4
Bx4
Ex4



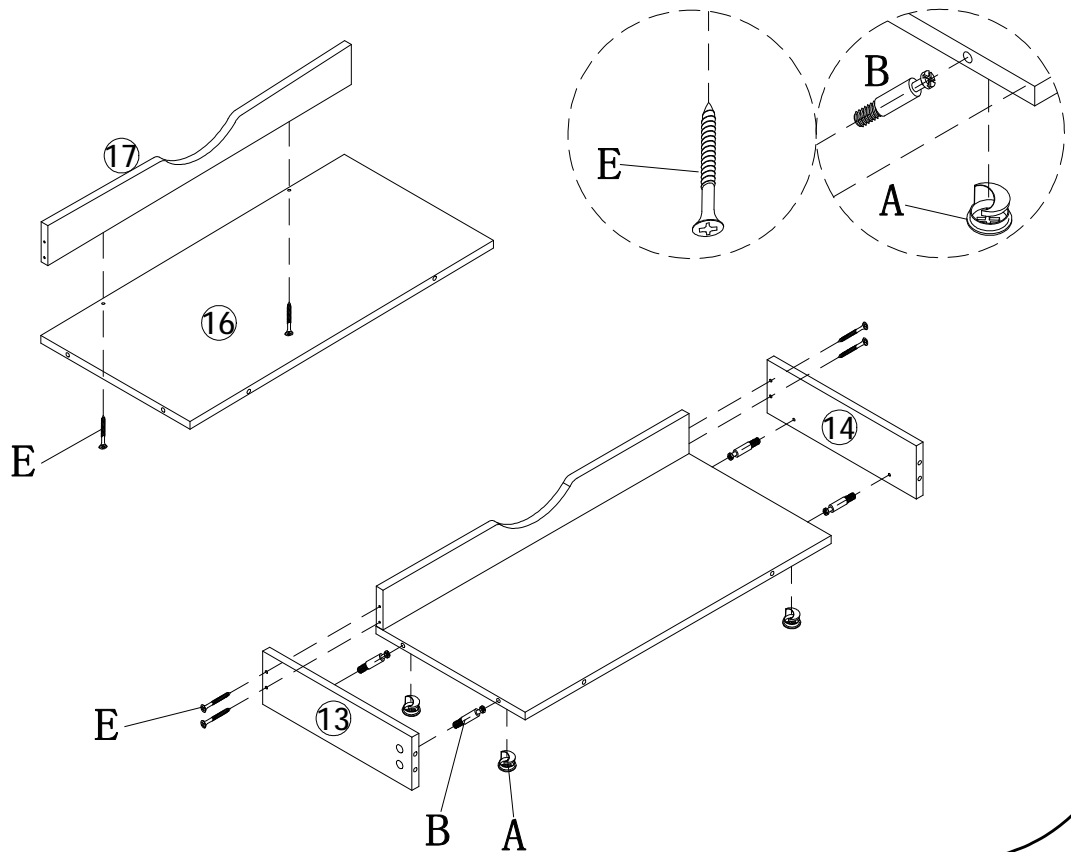
STEP 7

Ax6
Bx4
Ox2



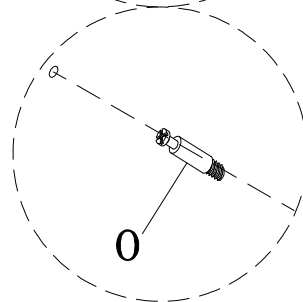
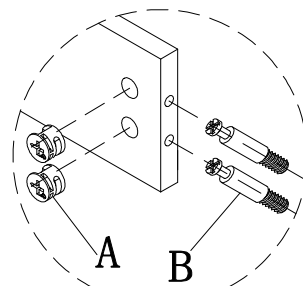
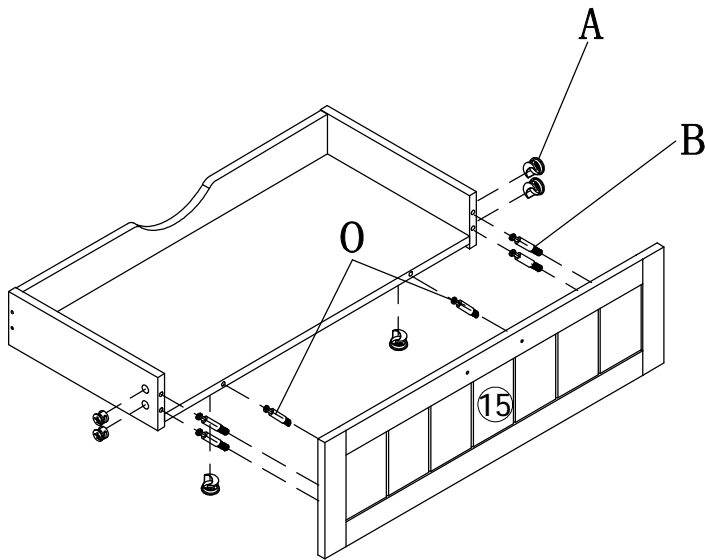
STEP 8

Ax4
Bx4
Ex6



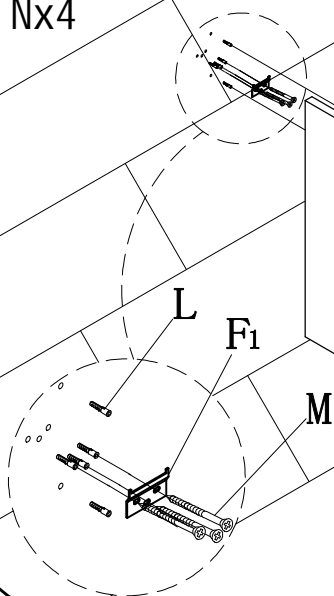
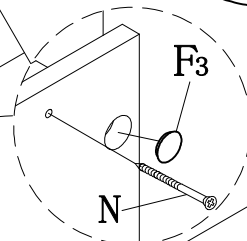
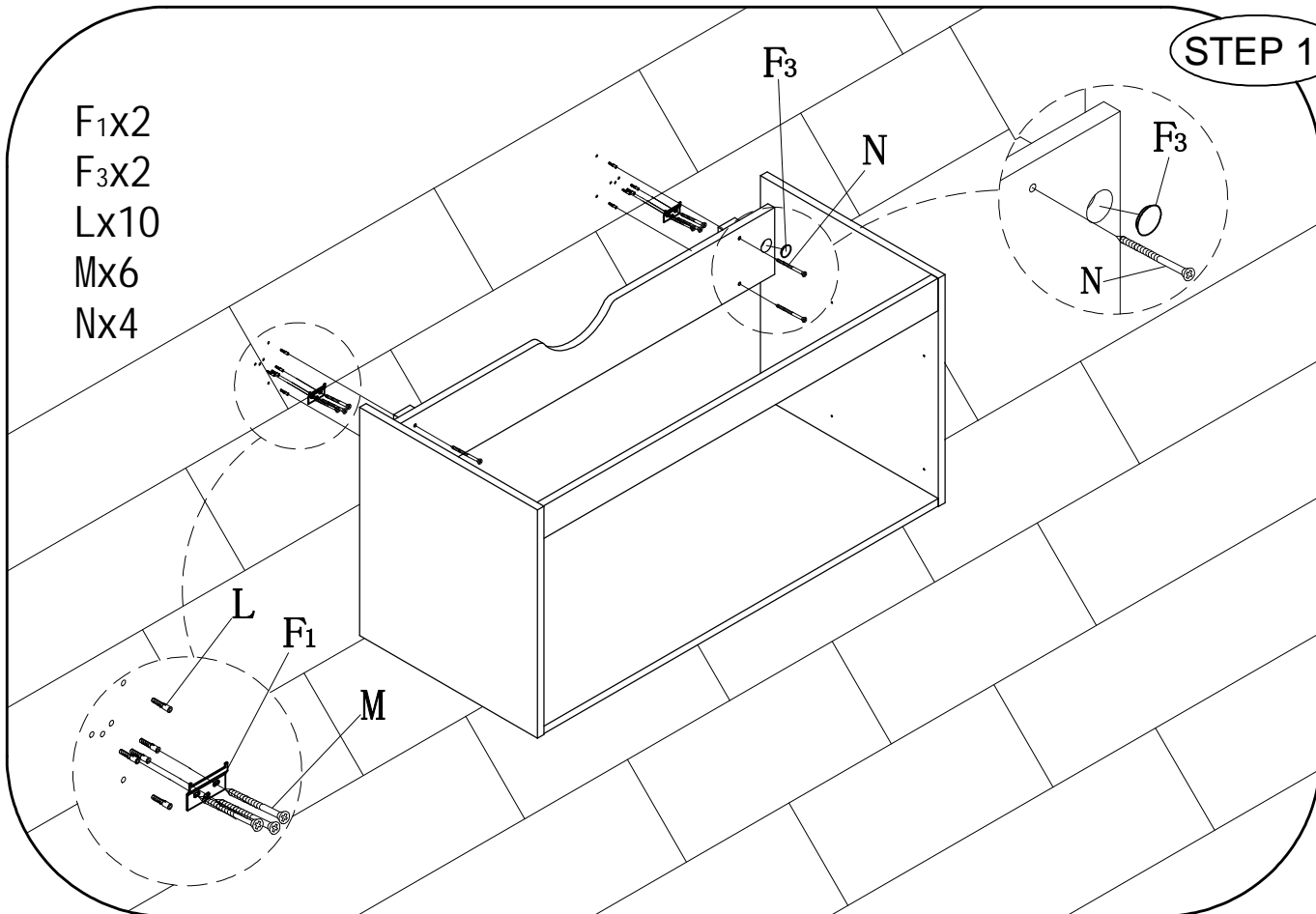
STEP 9

Ax6
Bx4
Ox2



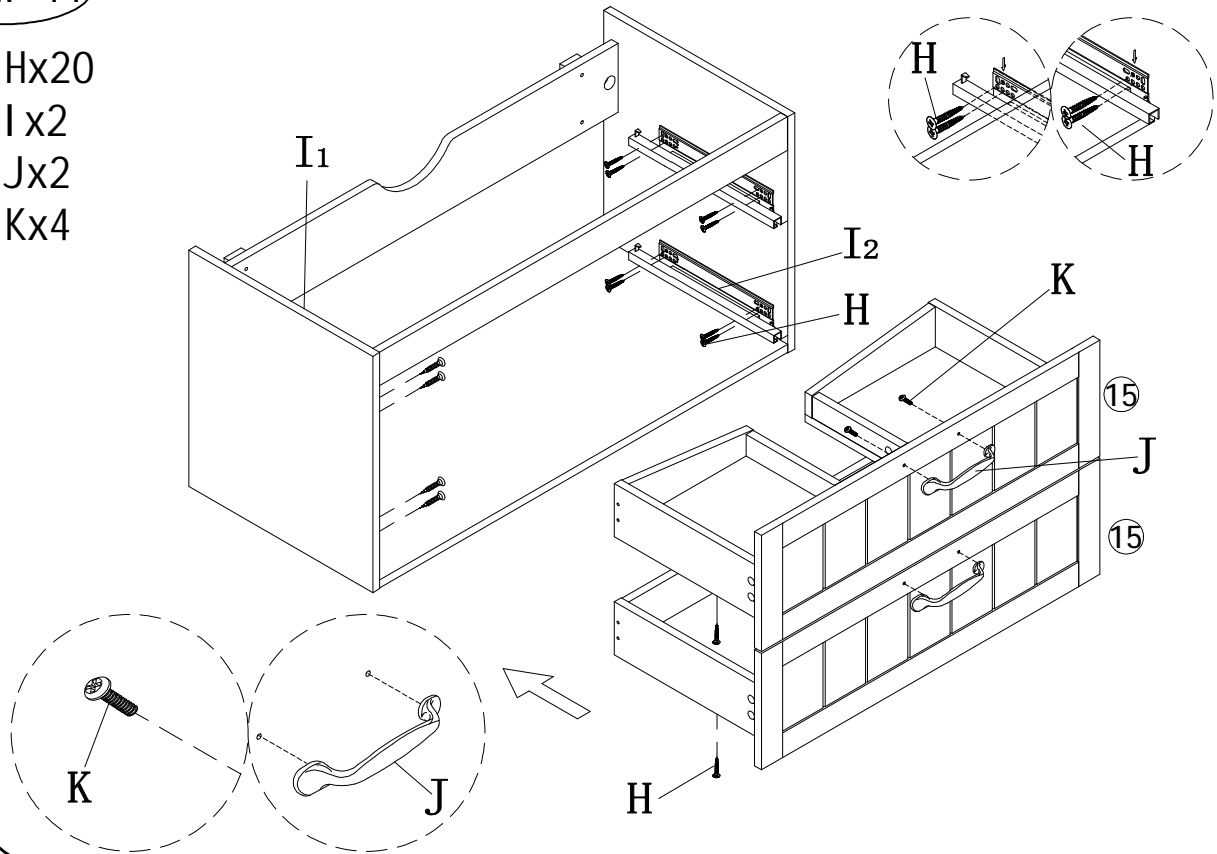
STEP 10

F₁x2
F₃x2
Lx10
Mx6
Nx4

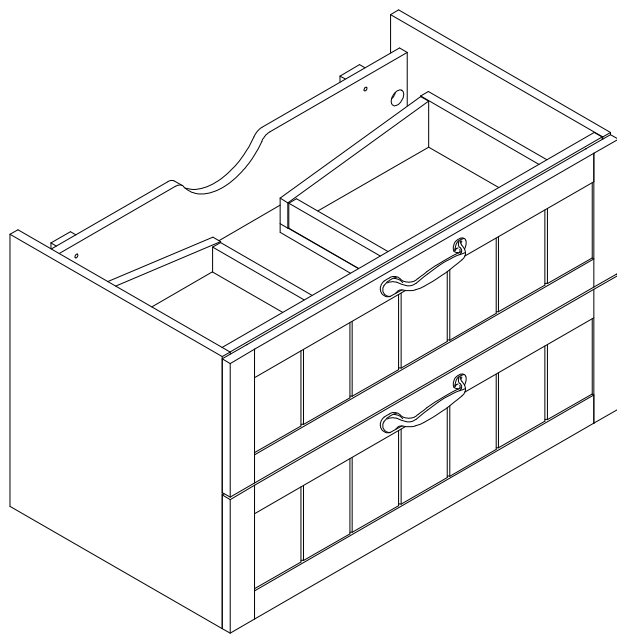


STEP 11

- Hx20
- I x2
- Jx2
- Kx4



STEP 12



FINISH