

Gas Fire Table User Manual

ITEM#:FP-010



! DANGER

If you smell gas:

1. Shut off gas to the appliance.
2. Extinguish any open flame.
3. If odor continues, keep away from the appliance and immediately call your gas supplier or fire department.

! WARNING

Do not store or use gasoline or other flammable vapors and liquids in the vicinity of this or any other appliance. An LP-cylinder not connected for use shall not be stored in the vicinity of this or any other appliance.

! WARNING

For outdoor use only.

! WARNING

Improper installation, adjustment, alteration, service or maintenance can cause injury or property damage. Read the owner's manual thoroughly before installing or servicing this equipment. If the information in this manual is not followed exactly, a fire or explosion may result causing property damage, personal injury or loss of life.

Save these instructions for future use. If you are assembling this unit for someone else, give this manual to him or her and read and save for the future.



! DANGER



CARBON MONOXIDE HAZARD

This appliance can produce carbon monoxide which has no odor.

Using it in an enclosed space can kill you.

Never use this appliance in an enclosed space such as a camper, tent, car or home.

SAFETY INFORMATION

Before you assemble or operate this unit, please carefully read this entire manual. Failure to do so may result in a fire, explosion, injury or death.

WARNING

- The installation of this unit must adhere to local codes or either the National Fuel Gas Code, ANSI Z223. 1/NFPA54, OR CAN/CGA-B149.1, National Gas and Propane Installation Code.
- **THIS UNIT IS INTENDED FOR OUTDOOR USE ONLY!** This product shall be used outdoors, in a ventilated space and shall not be used in any enclosed area.
- This unit is to be used with propane gas only! (sold separately)
- Do not attach a remote gas supply to this unit.
- Only use propane gas for this unit.
- This unit is not intended for natural gas.
- Converting this unit to natural gas is dangerous and not recommended. The conversion of this unit will void the manufacturer warranty.
- Do not use any solid fuel or charcoal for this unit.
- When igniting this unit, stay away from the burner as the flame will light up and may cause injury.
- **LP GAS WARNING:** Do not use any more than 1/4in depth lava rocks/pumice stones/LavaGlass above the burner holes. Doing so will suffocate the flame.
- If the propane gas tank is leaking gas, you may hear, see, or smell a hiss. Do the following:
 1. Disconnect the propane gas tank.
 2. Do not attempt to fix the problem yourself.
 3. Contact your gas supplier or fire department for help.
- Applying too much propane may result in gas pooling and will not burn. Allow fresh air into the unit so that the remaining gas may escape.
- Do not use a flame to check for gas leaks.
- The max. inlet supply pressure: max. Gas supply 11 in w.c. (2.74kPa)
- Use LP propane tanks with the following dimensions: diameter 12 in, height 18 in - capacity 20 lbs.
- You must use a propane tank that has a collar to protect the gas valve.
- **DO NOT** fill tank over 80 percent full.
- The tank system must be set up for vapor withdrawal.
- Discontinue use if any part of the propane tank is damaged. Rust and dents may be hazardous and should be inspected by a gas supplier.
- Do not burn anything other than the provided materials for this fire table.
- Keep away from the unit for the first 20 minutes after igniting your unit for the first time, as lava rocks/pumice stones/LavaGlass could pop out and cause injury. Should any rocks pop out, discard them.
- Always ensure that lava rocks/pumice stones/LavaGlass are completely dry before use. Failure to do so will cause them to crack or pop.
- Do not operate unit until all parts are fully assembled.
- Do not paint or color any part of this heating unit.
- Unit may be hot while in use, do not attempt to move it while in use.
- Never leave this heating unit unattended while in use.
- This unit is not intended for cooking.
- Keep any flammable items away and do not use any other fireplace cover for this unit.
- Keep a safe distance to avoid burning skin or clothing.
- Do not sit or rest hands or feet on this heating unit.
- Never place hands or fingers on upper portion of this unit while in use.
- Keep all electrical cords and fuel supply hose away from heated surfaces.

- Combustible material should not be within 72 inches of the top of the unit, or within 48 inches around the entire unit.
- Keep the appliance area clear and free from combustible material, gasoline and other flammable vapors and liquids.
- If the flame goes out while burning, turn the gas valve off. Wait 5 minutes before repeating the initial lighting procedure. Once you have a flame started, hold down the control knob for 1 minute.
- Do not add water into the unit.
- Do not operate unit if any part has been under water. Immediately call a qualified service technician to inspect the appliance and replace any part of the control system and any gas control that has been under water.
- Do not disconnect any part while unit is in use.
- Do not store a spare propane tank on or near this unit.
- If the heating unit is indoors, detach the propane tank and leave outdoors.
- Do not operate on a boat or vehicle. This unit must be used on a flat surface and outdoors ONLY.
- Always remove protective cover before operating (if applicable).
- Do not set the protective cover over the unit until it is turned off and completely cooled down.
- Check for leaks after not using the unit for long periods of time.
- **Children should never operate this unit. Children must be supervised while near this unit.**
- Keep gas tank at least 5 feet away from unit when lit. (if external tank)
- The maximum gas supply pressure is 250psi.
- **All installation and repair should be done by a qualified professional. This unit should be inspected annually and cleaned regularly.**
- Inspect all elements of this heating unit before each use. If there is damage, the burner must be replaced.
- Keep the hose out from any pathways to eliminate any accidental damage. (if external tank)
- Be aware of the hazards of high temperatures and stay away from the unit to avoid any burns or injury.
- The gas supply tank should be constructed and marked with the specifications for the LP gas tanks of the U.S. Department of Transportation or the National Standard of Canada CAN/CSA-B339, LP gas tanks, spheres and tubes for Transportation of Dangerous Goods; and Commission.
- The LP gas tank must have a listed overfilling prevention device and a QCCI or Type I, (CGA810) LP gas tank connection.
- This heating appliance should not be used on plastic or artificial wood desks.
- **Children and adults should be alerted to the hazards of high surface temperatures and should stay away to avoid burns or clothing ignition.**
- **Young children should be carefully supervised when they are in the area of the appliance.**
- **Clothing or other flammable materials should not be hung from the appliance or placed on or near the appliance.**
- **Any guard or other protective device removed for servicing the appliance shall be replaced prior to operating the appliance.**
- **Installation and repair should be done by a qualified service person. The appliance should be inspected before use and at least annually by a qualified service person. More frequent cleaning may be required as necessary. It is imperative that the control compartment, burners and circulating airways of the appliance are kept clean.**

IF APPLICABLE:

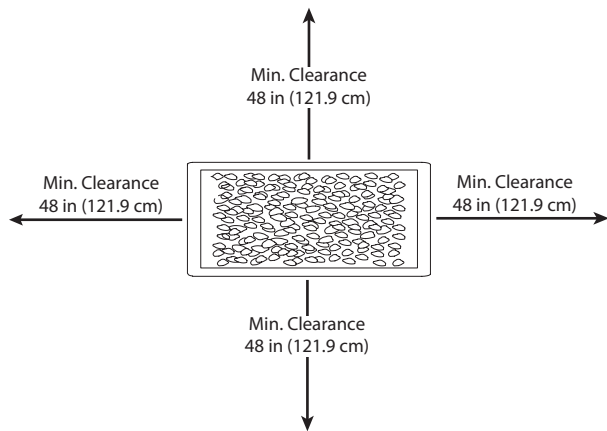
- Allow heating item to cool completely before placing on lid.
- DO NOT use heating item while lid is installed. Always remove the lid while heating item is in use.

SAFETY INFORMATION

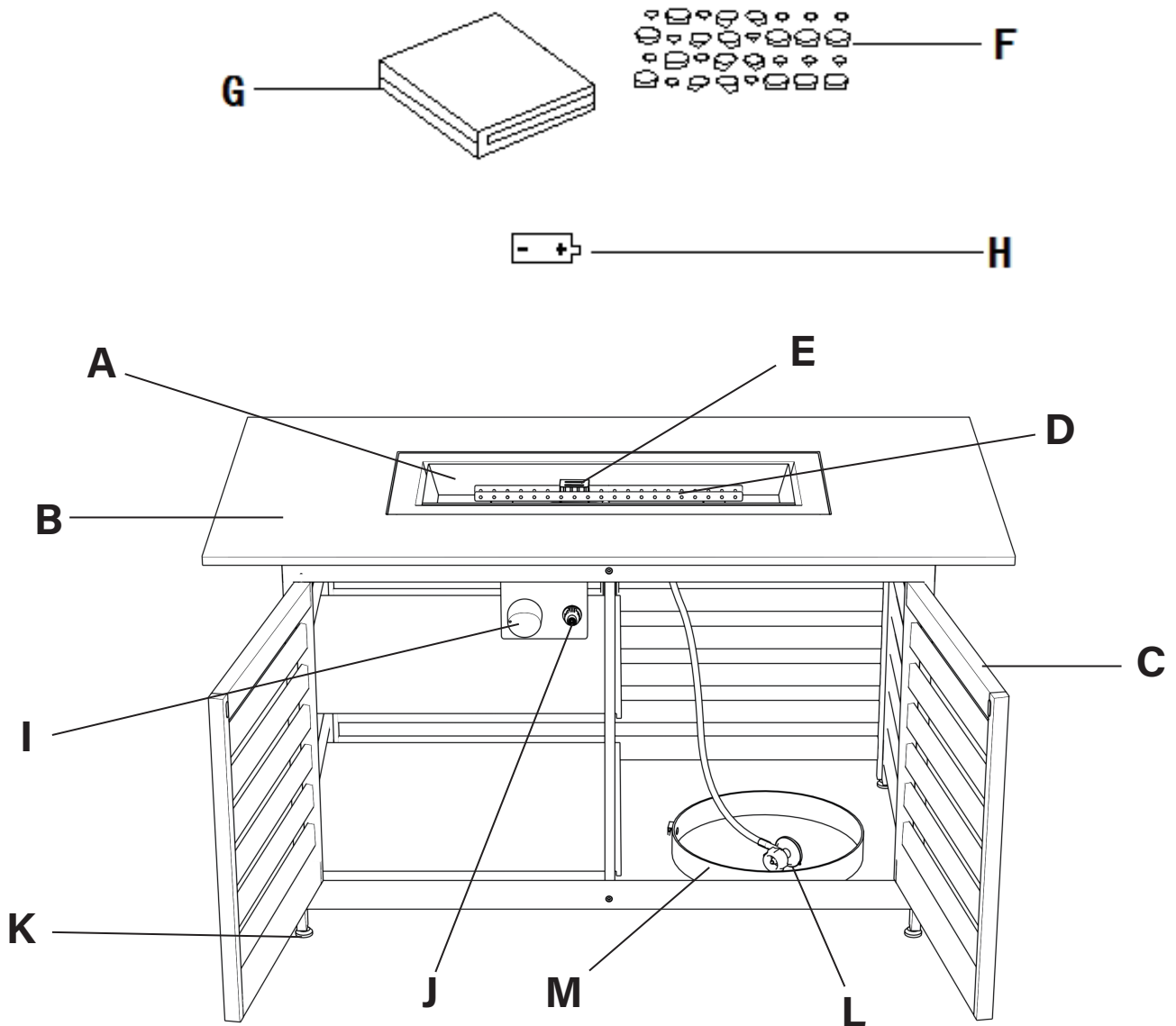
Only use the regulator and hose assembly provided with this unit. Replacement parts must be supplied directly by Manufacturer.

Inspect the burner before use of this unit. If the burner shows any kind of damage, do not operate the appliance.

NOTE: You must follow all steps to properly assemble this heating item. Make sure the gas valve is turned “OFF” before assembling. Do NOT attempt to assemble without proper tools.



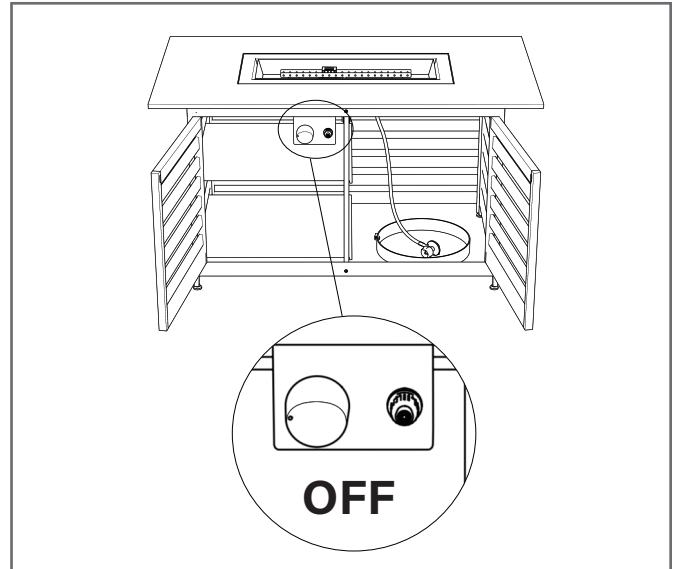
Combustible materials should not be within 72 inches of the top of the unit, or within 48 inches around the entire unit.



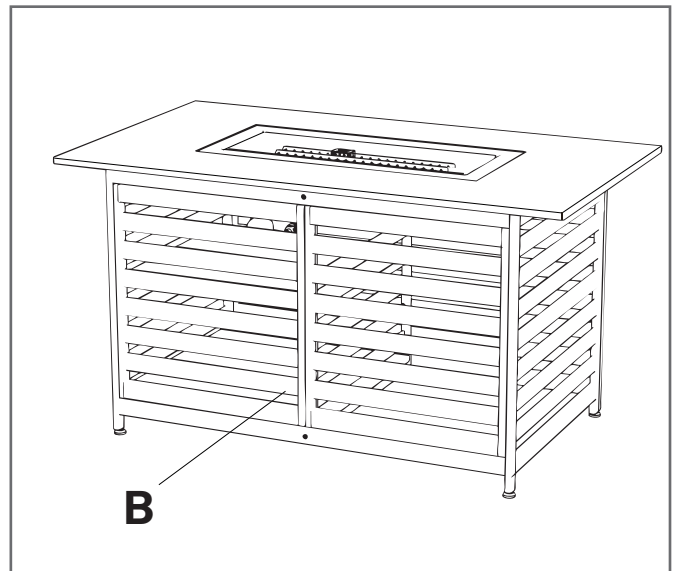
Item	Description	Qty
A	Firebowl	1
B	Body	1
C	Door	1
D	Burner	1
E	Guard	1
F	Lava Rocks	2 boxes
G	Protective Cover	1
H	Battery	1
I	Control Knob (preassembled)	1
J	Electronic Igniter (preassembled)	1
K	Table mat	4
L	Pressure reducing valve	1
M	Gas cylinder fixing ring	1

ASSEMBLY INSTRUCTIONS

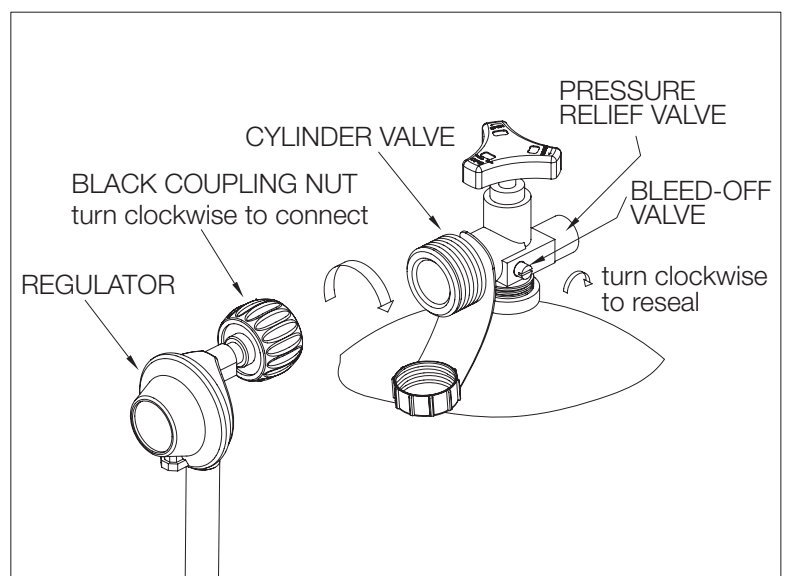
1. Check that the control knob (I) for the gas supply system is turned to the “OFF” position before starting any assembly.



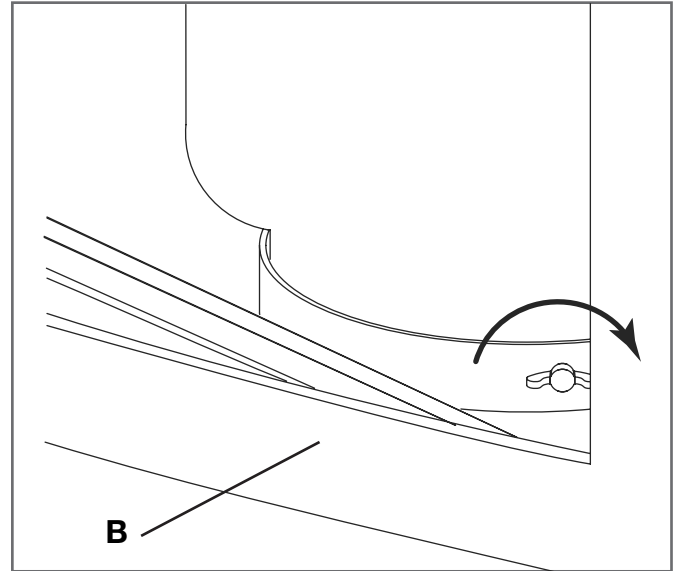
2. Remove door from body (B) and place propane gas tank (not included) into the metal stand inside of the body (B).



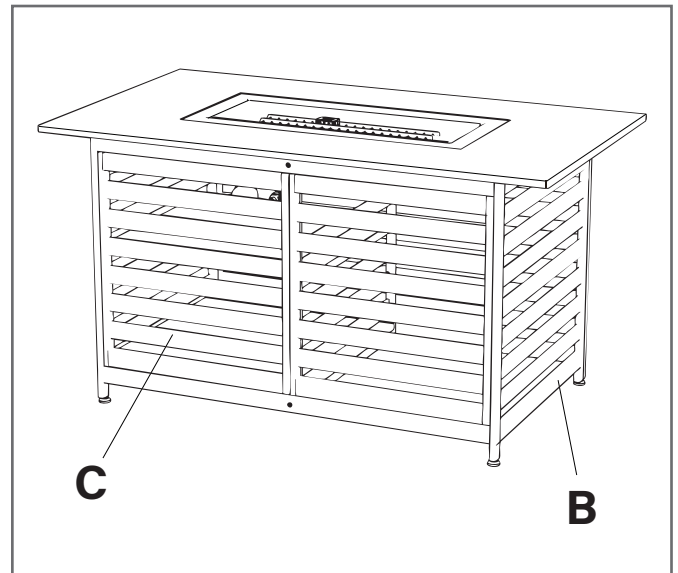
3. Turn the cylinder valve on the tank clockwise to close the propane tank. Attach the preassembled regulator from the body (B) to the cylinder valve by turning the regulator coupling nut clockwise. Make sure it is fastened securely and tighten connections by hand only.



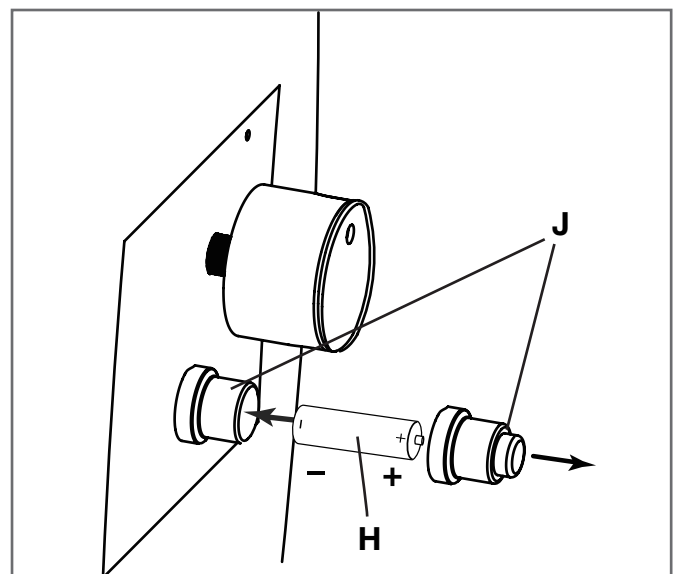
4. Once the tank is attached to the regulator, make sure the propane gas tank sits on the metal stand inside body (B) completely. Turn the preassembled wing screw on the outer part of metal stand clockwise to secure the propane gas tank tightly.



5. Replace door (C) onto the body (B).



6. Remove the rubber cap on the electronic ignitor (J) by unscrewing and slide battery (H) into the battery slot. Make sure the positive side of the battery faces outwards. Screw the electronic ignitor cap (J) over the battery tightly.



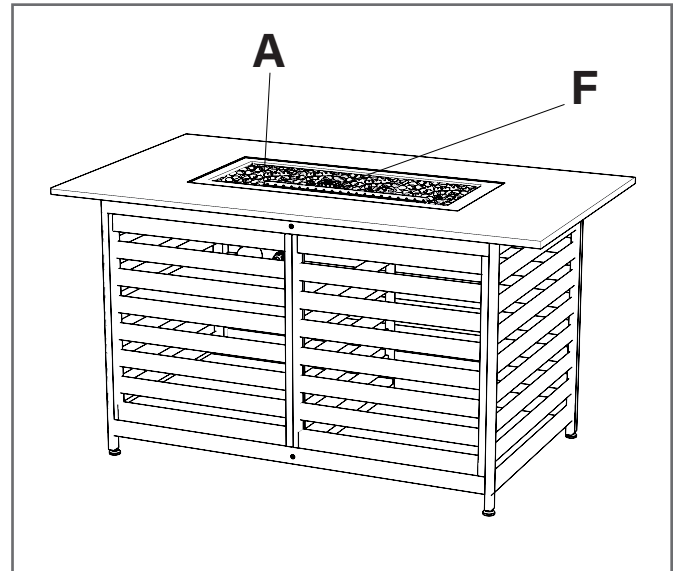
ASSEMBLY INSTRUCTIONS

7. Pour the lava rocks (F) into the firebowl (A).



WARNING

To ensure proper function, the screen (E) on this burner (D) should be free of lava rocks at all times.



OPERATION

Before performing a leak test, be sure that no sparks can occur and you are in a spacious outdoor area. Connect the propane gas tank to the regulator and turn the valve on the unit to the “off” position. Brush a soap and water mixture on all connections. Turn the gas supply on; if bubbles occur on any connection there may be a leak. **If you smell gas or a leak is discovered turn the gas valve off, disconnect propane gas tank and do not use the appliance until the leak is repaired.**

Do not use the heating unit without inspecting the gas hose. If there are signs of wear or abrasion you must replace the hose (if applicable). If there are signs of wear or abrasion you must replace the hose. Pumice stones/lava rocks/LavaGlass could pop up and strike somebody’s face during the process of lighting this unit; stand away from the unit for the first 20 minutes after igniting. Flame height should be a yellow/blue color between 2 - 10 inches in height.

Wait 5 minutes after extinguishing flame prior to placing a lid (if applicable) or protective cover on heating item.

To Light

1. Make sure the control knob (I) is in the “off” position.
2. Remove door (C) and slowly open the valve on the propane gas tank by turning the knob counterclockwise.
3. Replace the door (C) on the body (B).
4. Push and hold in the electronic ignitor (J) to create sparks within the electrode, continue to hold.
5. Push in the control knob (I) and turn to the “low” position. Keep holding down the control knob (I) to allow gas to flow for 15 seconds.
6. If ignition doesn’t occur within a few seconds release the control knob (I) and rotate to the “OFF” position. Wait for 5 minutes for gas to clear and then repeat the above lighting instructions.
7. Once the fire product is lit, the flame intensity may be controlled by turning the control knob (I) between the “low” and “high” positions.

To Extinguish

1. Turn control knob (I) clockwise to the “low” position; let the knob pop up and continue turning the control knob (I) to the “off” position.
2. Close the cylinder valve on the propane gas tank if you don’t intend to use it for a long time.

- Before performing any maintenance always disconnect propane gas tank.
- Keep the heating item free and clear from combustible materials.
- Visually inspect burner for obstructions and keep tank enclosure free and clear from debris.
- Use a soft brush to get rid of the mild stains, loose dirt and soil after the burner and pumice stones/lava rocks/LavaGlass are completely cooled down. Wipe down with a soft cloth.
- Harsh weather conditions may cause stubborn stains, discoloration and possibly rust pitting.
- Permanent damage may occur if powder or solvent comes in contact with painted or plastic components on this heating unit.
- Keep the heating unit stored away from direct sunlight.
- If storing this unit inside, disconnect the propane gas tank from the gas valve.
- Not using manufacturer approved or supplied parts/accessories may result in a defective condition and void the warranty of this heating unit.
- Always place lid (if applicable) or protective cover on heating item when not in use.

Surface Care

Our Envirostone material has been sealed with a patented treatment to prevent staining and moisture absorption, but it does require proper maintenance to ensure the integrity of the surface. Please see below for recommendations on maintaining your Envirostone surface for years of pleasure:

- Clean any spills immediately to prevent permanent Envirostone surface staining or damage. Blot any liquid spills with a clean, dry cloth to avoid spreading of the spill to the rest of the table. Clean your Envirostone surface with a soft, clean cloth or sponge. Mix a solution of warm clean water and mild dish soap to remove any surface dirt or mild spills. Rinse all soap solution off of the tabletop and dry completely to avoid water spots. Regularly cleaning the Envirostone surface will aid in a longer lasting product.
- Do not use petroleum-based or abrasive cleaning products. Do not use any harsh brushes when cleaning the Envirostone surface.
- Do not slide products across the Envirostone surface to avoid permanent scratching and damage.
- Always use protective mats such as coasters or placemats when eating on an Envirostone surface. These protective products will help absorb sweating on cool beverages and will block out any heat rings from appearing beneath a warm mug or plate. When placing hot dishes on an Envirostone surface, always use mats or hot pads.
- Envirostone surface must be covered at all times when not in use. Cover your product with an outdoor furniture cover when not in use to protect it from the elements. Store your product indoors during winter months. Avoiding extreme cold temperatures will prevent cracking of the tabletop.

Problem	Cause	Solution
Heating unit won't light	Igniter pin and burner are wet	Dry off with a soft cloth
	Igniter battery is incorrectly inserted	Check which direction the battery is inserted
	Igniter pin is broken	Contact Manufacturer for a replacement part
	Electrode wire is loose or disconnected	Reconnect wire to the igniter box located inside the table behind the igniter box
	Electrode wire is shorting between valve and igniter pin	Contact Manufacturer for a replacement part
Burner won't light while using a match	No gas flow	Check that the gas tank isn't empty
	Regulator isn't connected securely to the tank	Tighten regulator connection to the gas tank
	Gas flow is obstructed	Check all hoses for kinks and bends
	Burner ports are clogged	Turn all gas flow connections off. Insert an opened paperclip (or similar item) into each of the burner ports to clear them out.
Heating unit emits a lot of black smoke	Flame is obstructed at burner ports	Check that all burner ports are free of any small lava rocks/pumice stones/Lava-Glass pieces
	Regulator hose is kinked	Straighten hose of all bends or kinks
Sudden drop in gas flow	No gas flow	Check that the gas tank isn't empty
	Excess flow safety valve has been activated	Turn the control knob to the 'off' position. Close the tank valve and disconnect propane gas tank. Turn the control knob to 'high'; wait 1 minute. Turn the control knob back to the 'off' position. Reconnect propane gas tank. Light the fire unit as indicated in the 'To Light' section of this manual.
Flame blows out easily	High or gusting winds	Increase flame to 'high'
	No gas flow	Check that the gas tank isn't empty
	Excess flow safety valve has been activated	See 'sudden drop in gas flow' above

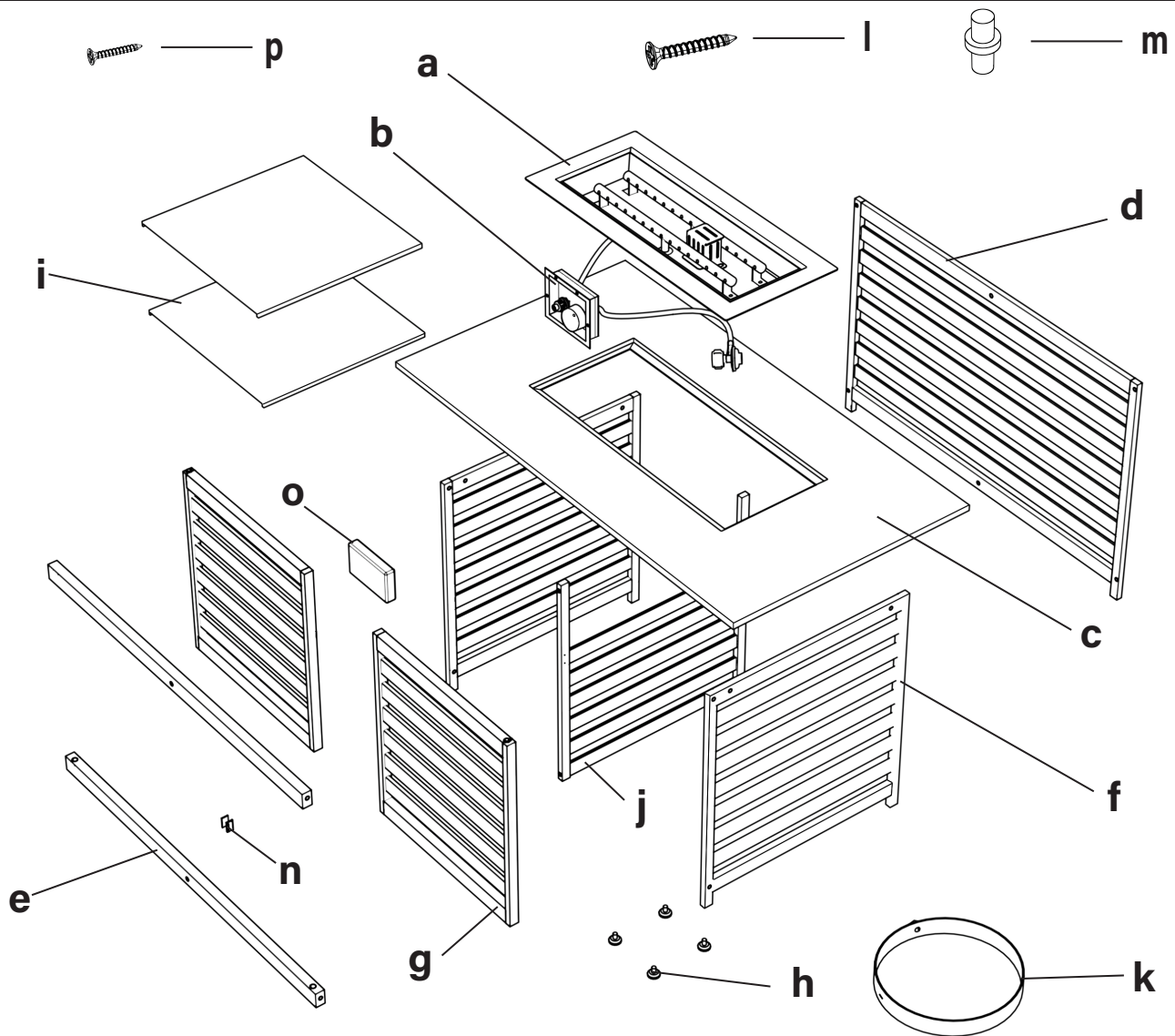
WARRANTY

The manufacturer warranty will be voided by, and manufacturer disclaims any responsibility for, the following actions:

- Modification of the unit and/or components including the gas valve assembly.
- Use of any component part not manufactured or approved.
- Use and installation other than what is listed in this manual.

Please contact the manufacturer for replacement parts.

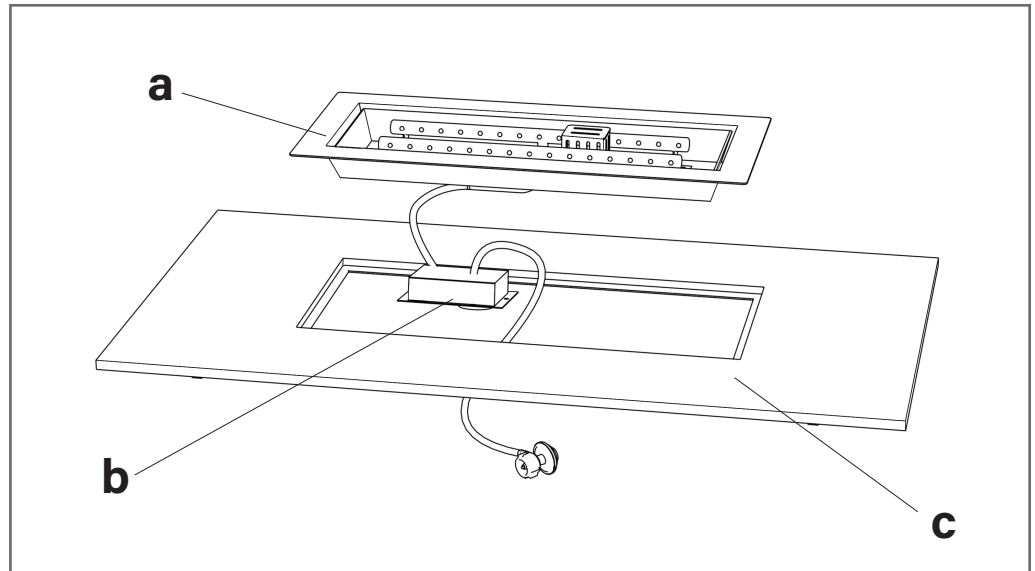
PRODUCT ACCESSORIES



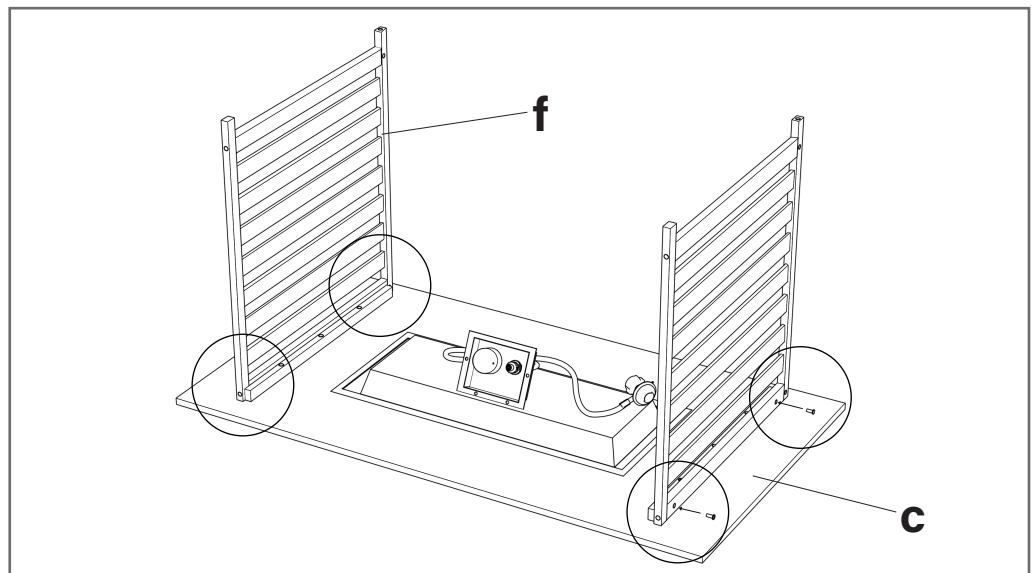
Item	Description	Qty
a	Firebowl	1
b	Control box	1
c	Desktop	1
d	Rear panel	1
e	Front bumper	2
f	Side plate	2
g	Door	2
h	Foot pad	4
i	Partition	2
j	Intermediate plate	1
k	Gas cylinder fixing ring	1
l	Screw	N
m	Spring plug	4
n	Door stopper	2
o	Control box connection board	1
p	Small size screw	8

INSTALLATION STEPS

1. Put the firebowl (a) on the desktop (c).



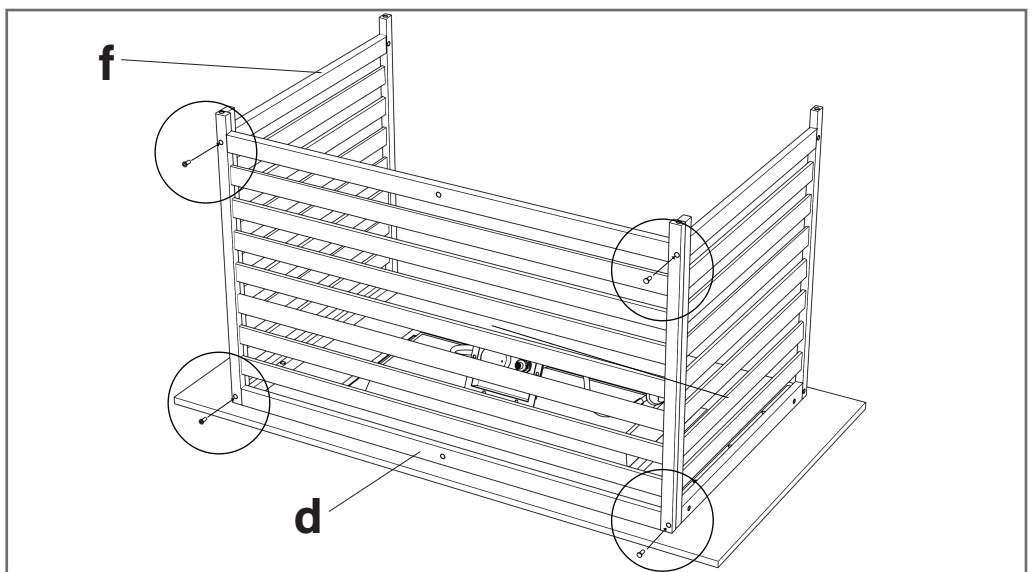
2. Flip the desktop (c) and firebowl (a) over together, place the side plate (f) close to the horizontal bar of the desktop (c), and lock it with screws (l) from the outside.



Attention:

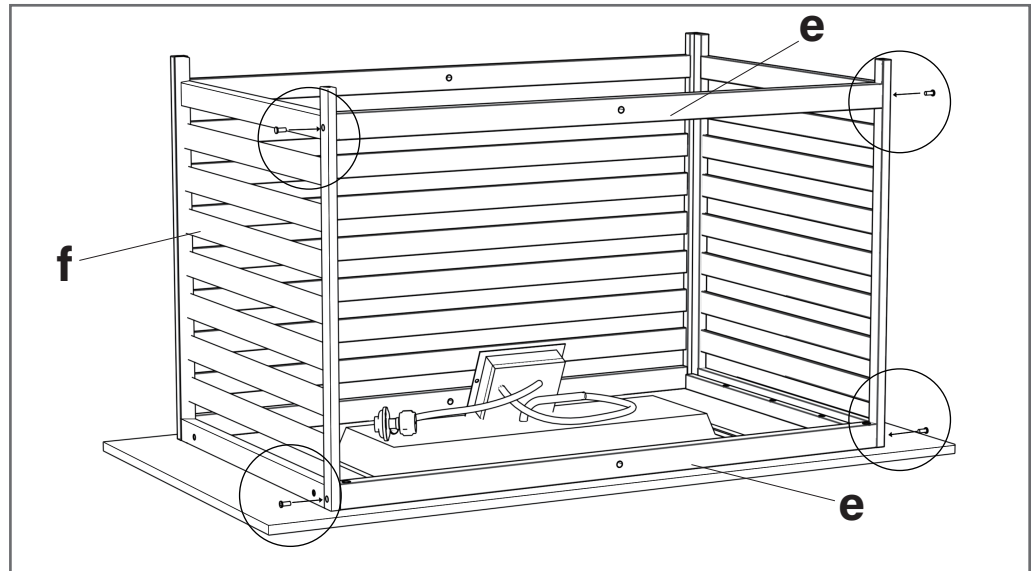
- When installing the side plate (f), please ensure that the hole positions are aligned first.
- Before installation is complete, please do not tighten the screws to facilitate the next step of operation.

3. Install the rear panel (d) on the side plate (f) with holes and tighten the screws (l) at the four corners.

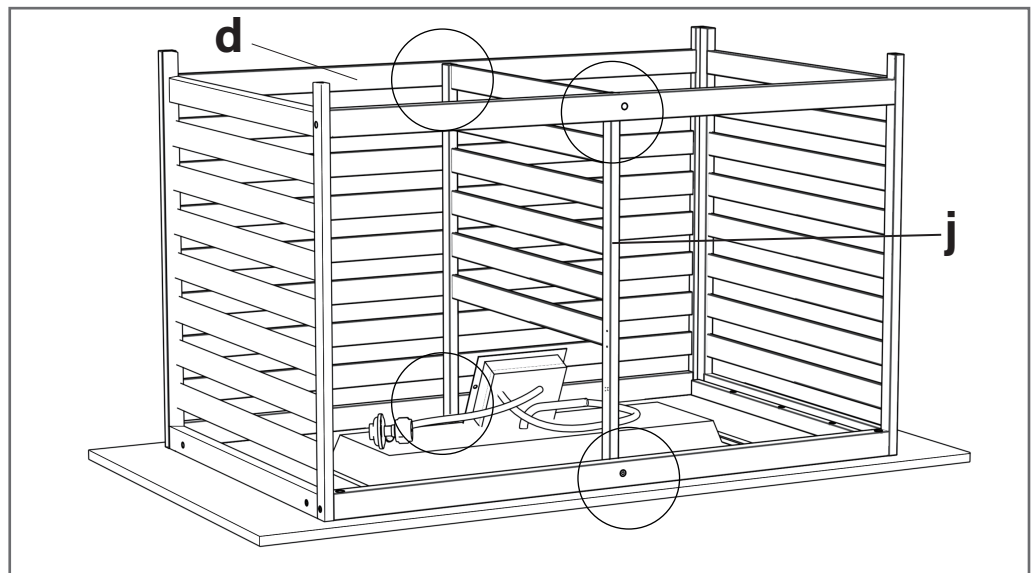


INSTALLATION STEPS

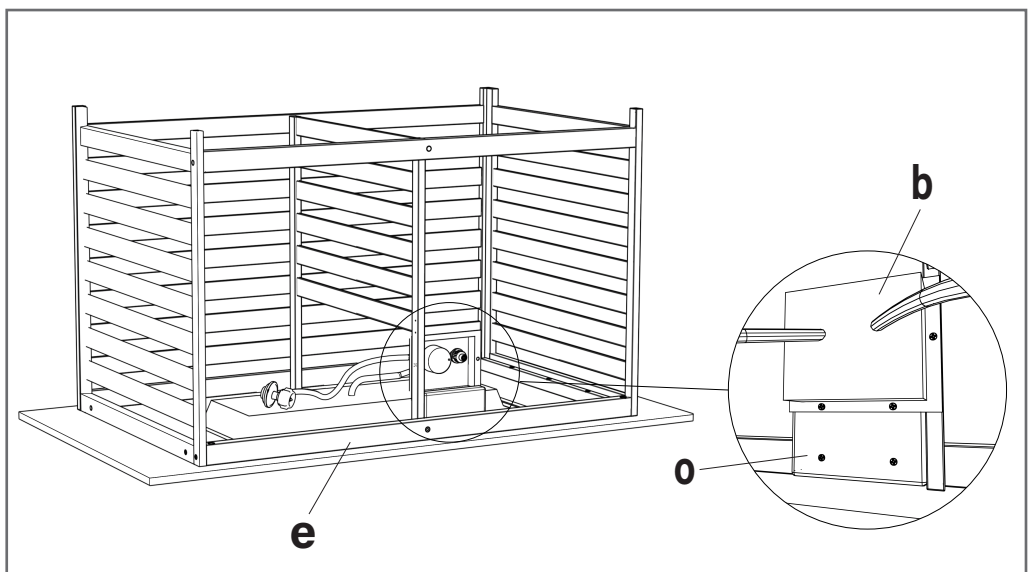
4. Install the upper and lower front bumpers (e) on the front, lock the screws (l) on the side of the side plate (f), and connect the front bumpers (e).



5. Place the intermediate plate (j) according to its position. And lock screws (l) on the four holes of the rear panel (d) and front bumpers (e) to connect the intermediate panel (j).

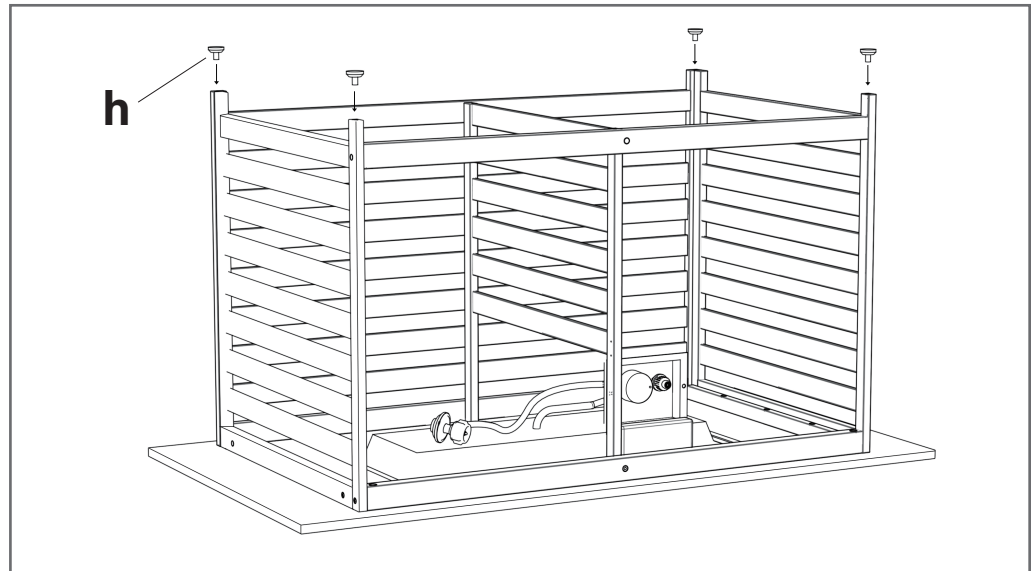


6. Install the control box connection board (o) at the corresponding position on the front bumper (e), mount the control box on the control box connection board (o), and lock the screws (l) at the corresponding positions on the control box connection board (o) and the intermediate plate (j).

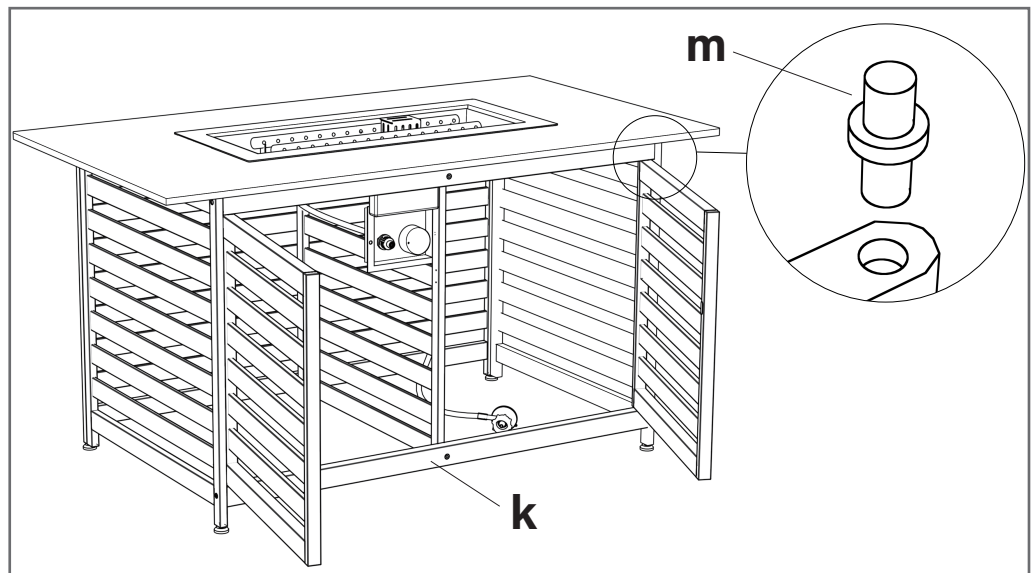


INSTALLATION STEPS

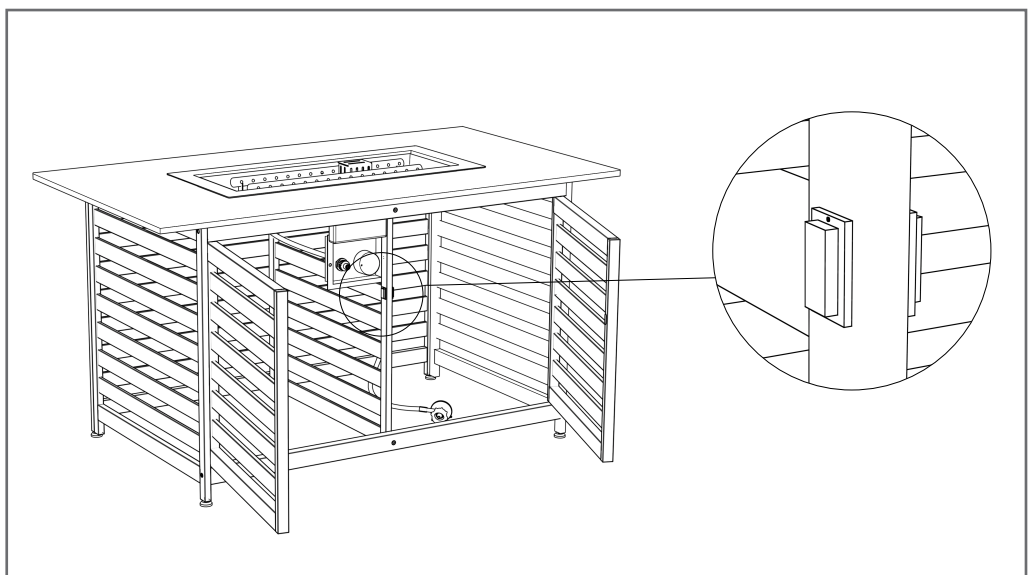
7. Install foot pads (h) on each of the four feet in the fire pit.



8. Install spring pins (m) in the upper and lower holes of the door, and correspondingly install them on the front bumper (e).



9. Install a door stopper (n) at the corresponding position on the intermediate plate (j). Install with small screws (p).



INSTALLATION STEPS

- 10.** Move the partition (i) in from the outside of the side plate (f), and clamp both sides of the partition onto the rods of the side plate (f) and the intermediate panel (j).



- 11.** Installation is complete, install the gas cylinder and enjoy your wonderful time.

