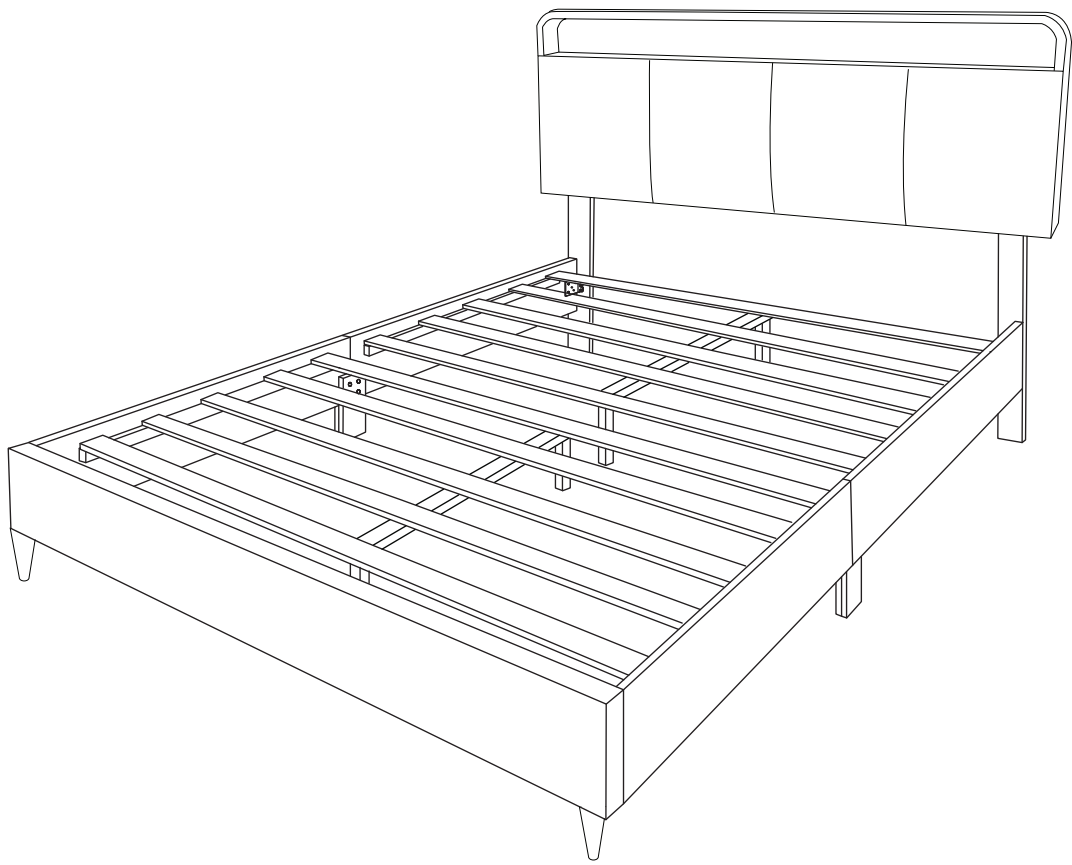
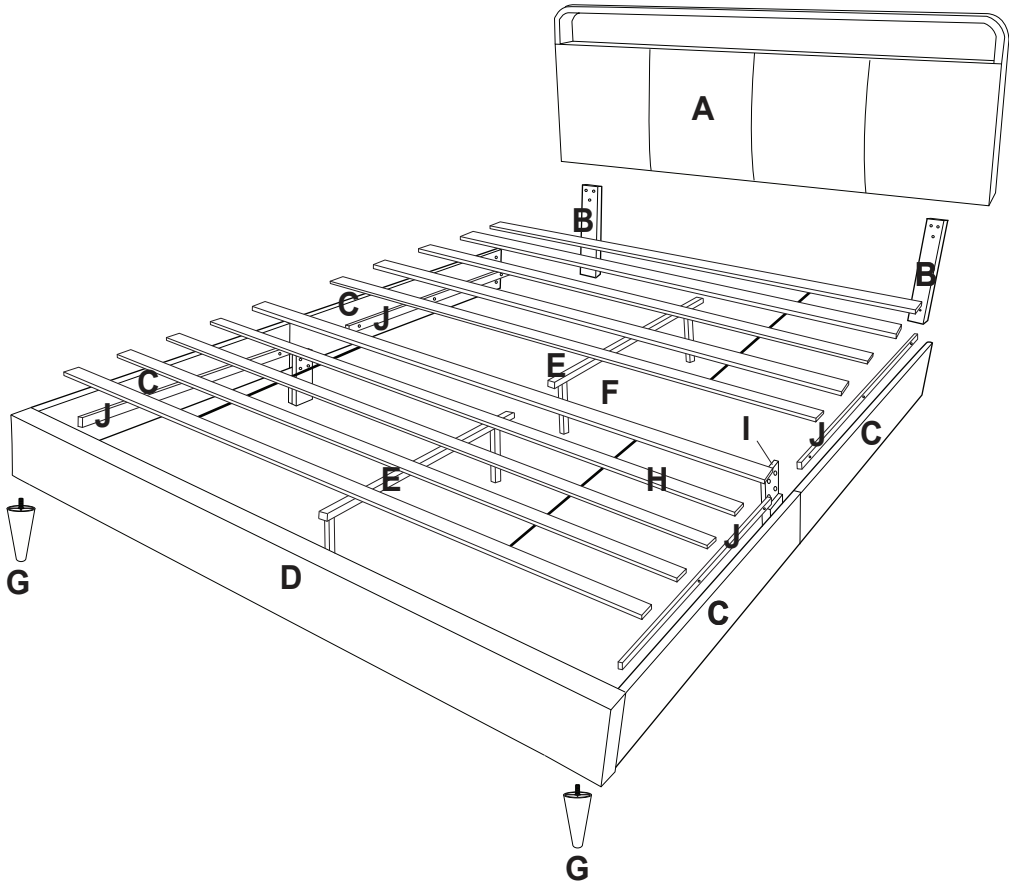
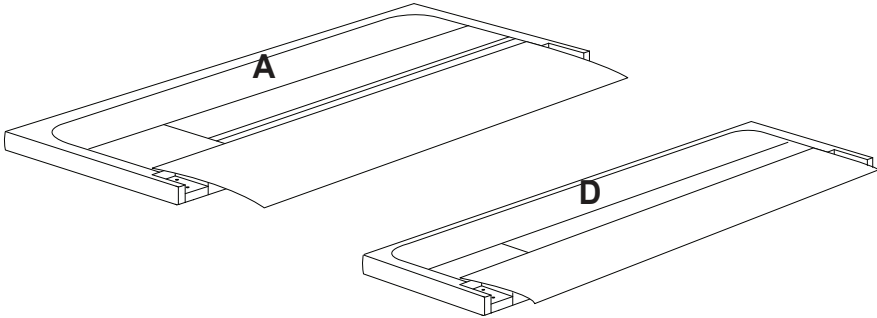


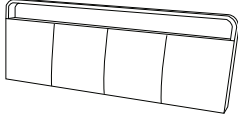
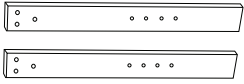
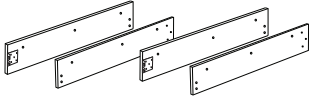
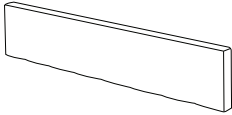

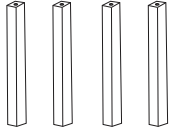

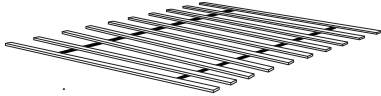
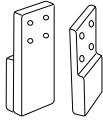
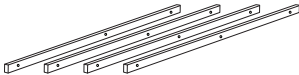
# ASSEMBLY INSTRUCTION

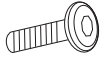
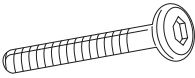
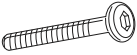
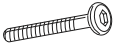
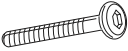
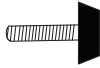
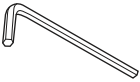
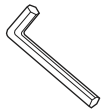
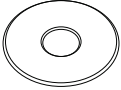
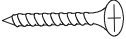

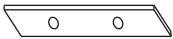
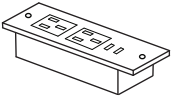




Bed Parts are shipped inside a compartment in the back of the headboard and footboard.



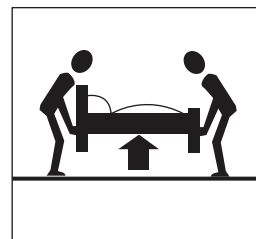
NO	PART LIST	QTY
A	Headboard 	1 pc
B	Headboard Leg 	2 pcs
C	Side Rail 	4 pcs
D	Footboard 	1 pc
E	Center Support Rail 	2 pcs
F	Center Support Leg 	4 pcs
G	Bed Leg 	2 pcs
H	Bed Slat 	10 pcs
I	Side Rail Support 	2 pcs
J	Slat Support 	4 pcs

NO	HARDWARE LIST	QTY
1	JCBB M8 x 20mm 	8 pcs
2	JCBC M6 x 60mm 	4 pcs
3	JCBC M6 x 50mm 	6 pcs
4	JCBB M6 x 25mm 	8 pcs
5	JCBB M6 x 30mm 	12 pcs
6	Adjuster M6 	4 pcs
7	Allen Key M4 	1 pc
8	Allen Key M5 	1 pc
9	Flat Washer M6 	14 pcs
10	CSK M4 x 30mm 	20 pcs
11	CSK M4 x 16mm 	2 pcs
12	LED Light 	1 pc
13	USB Charging Port 	1 pc

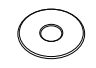
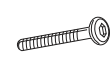
Read this instruction carefully. Remove all wrapping material, staples and straps from the carton. See hardware and furniture part list for guidance. Be sure you have all wooden furniture parts on a clean and flat surface, such as carpet or rug, to prevent from being scratched.

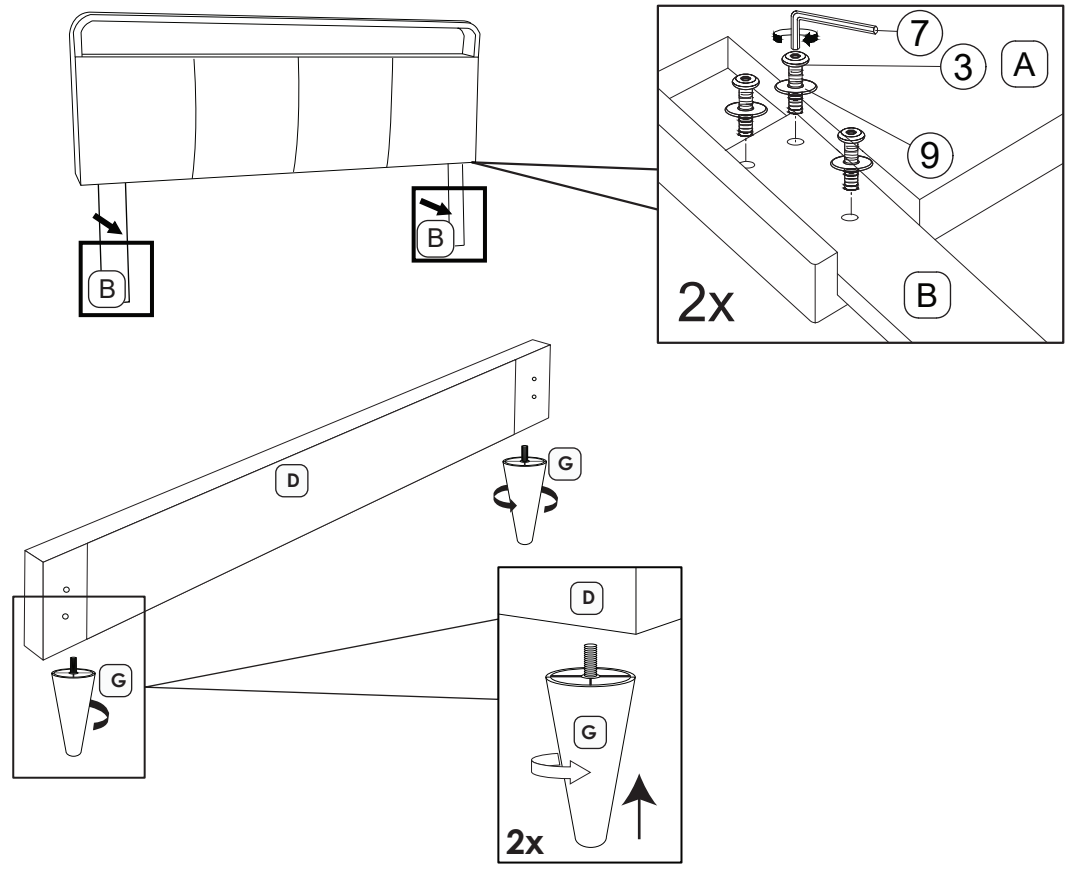
CAUTION :

1. Do not Full Tighten the nut or screw until all ready to assemble.
2. Do not Over Tighten the nut or screw to avoid causing damages to the thread.
3. Keep all hardware part out reach of children.

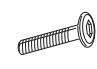

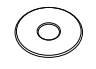


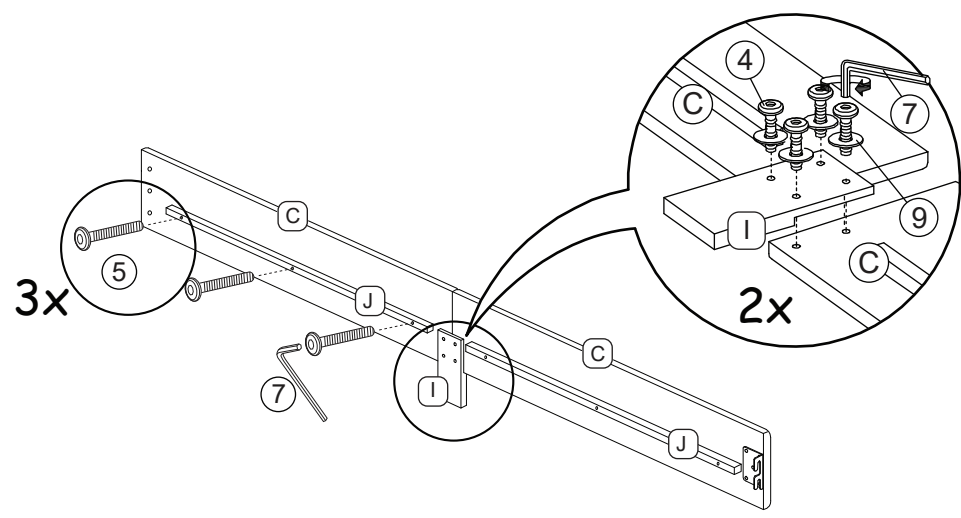
STEP 1

9	3
	
6 pcs	6 pcs

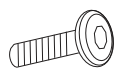


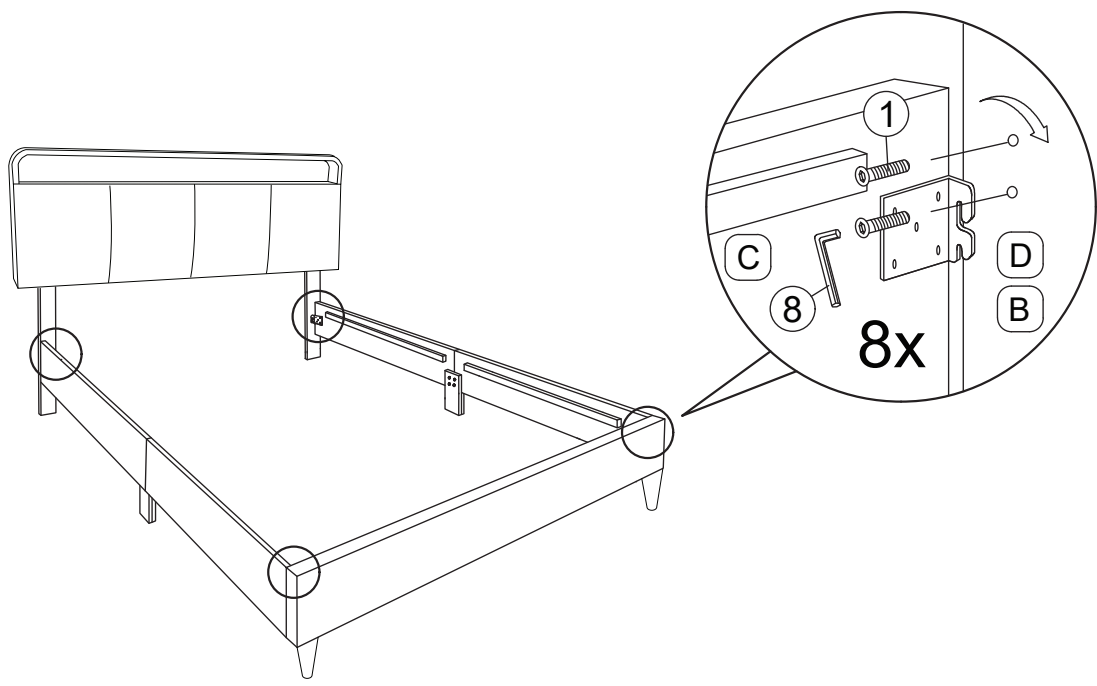
STEP 2

5	4	9
		
12 pcs	8 pcs	8 pcs

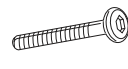



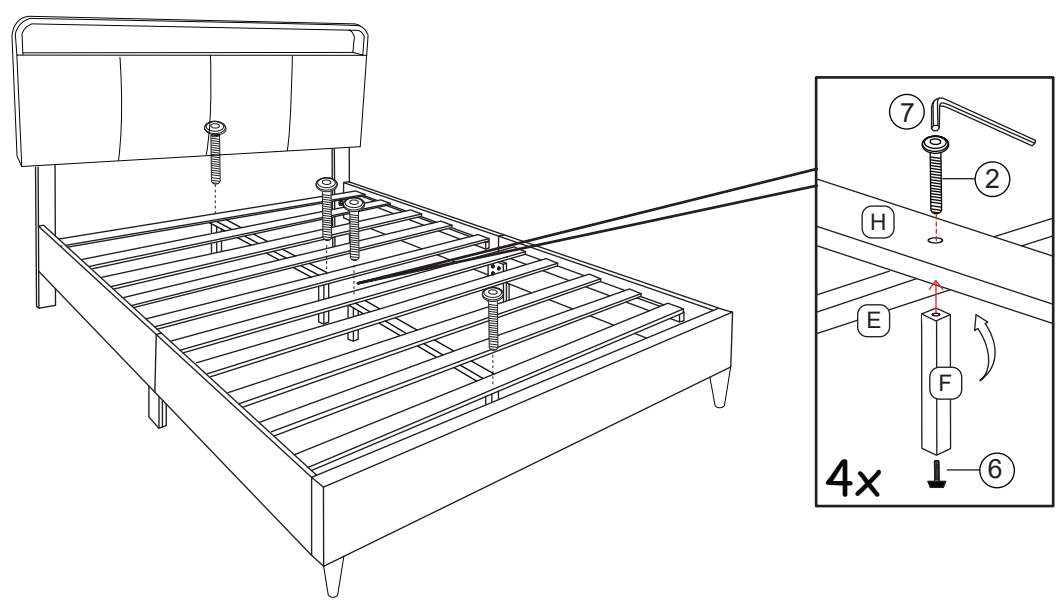
STEP 3

1

8 pcs



STEP 4

2	6
	
4 pcs	4 pcs

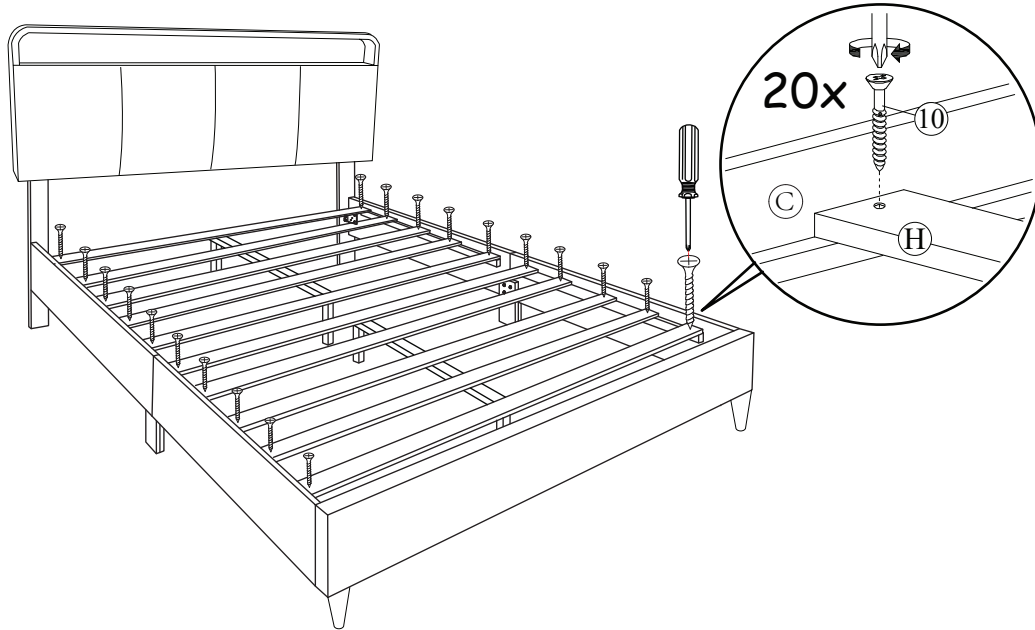


STEP 5

10



20 pcs



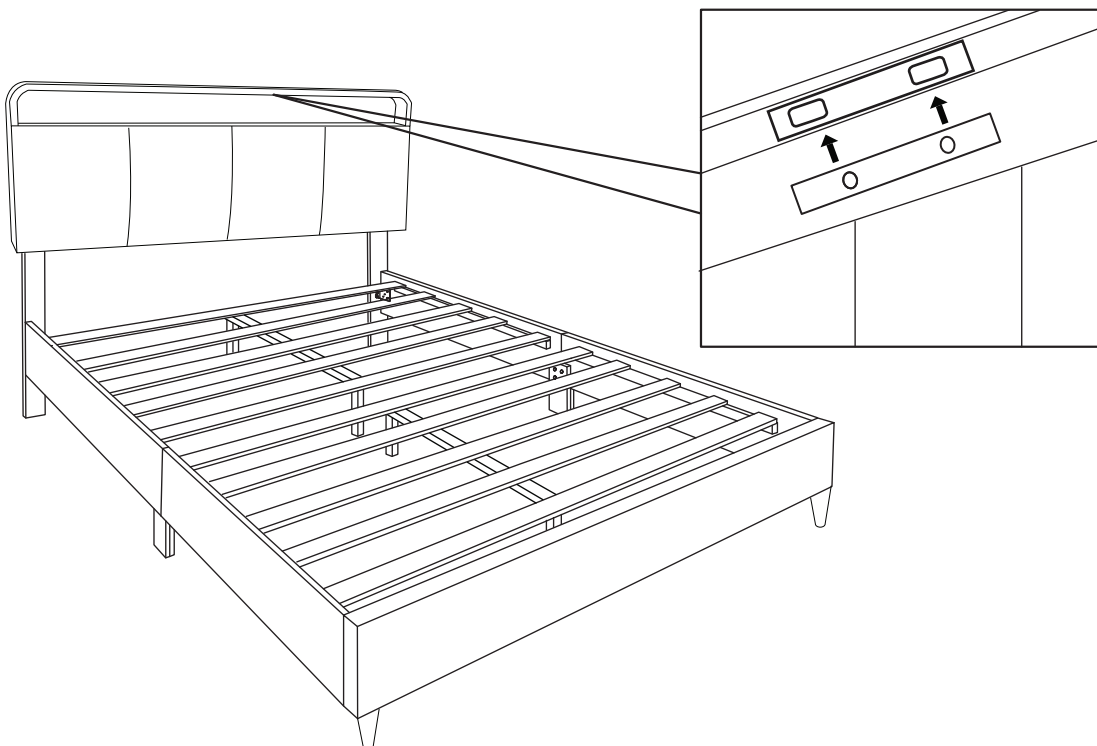
STEP 6

12

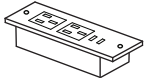



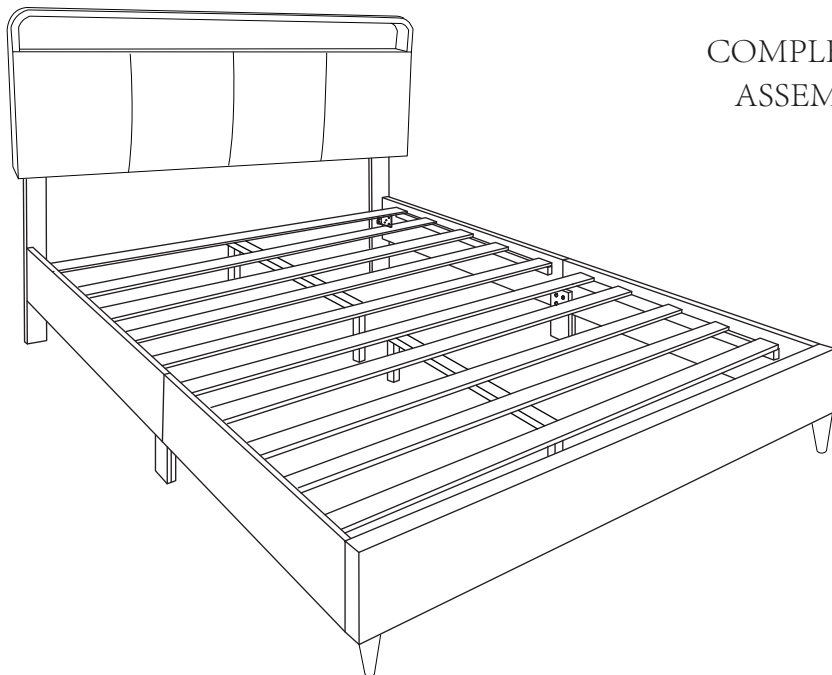
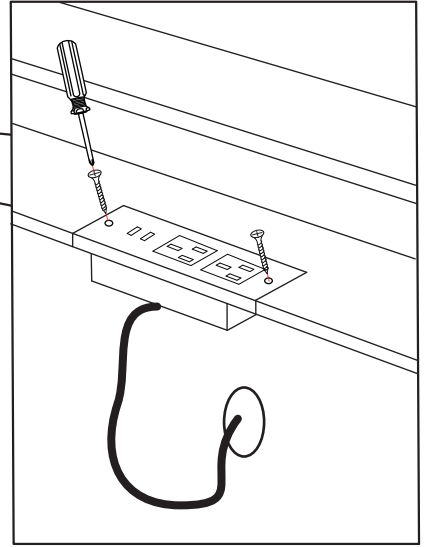
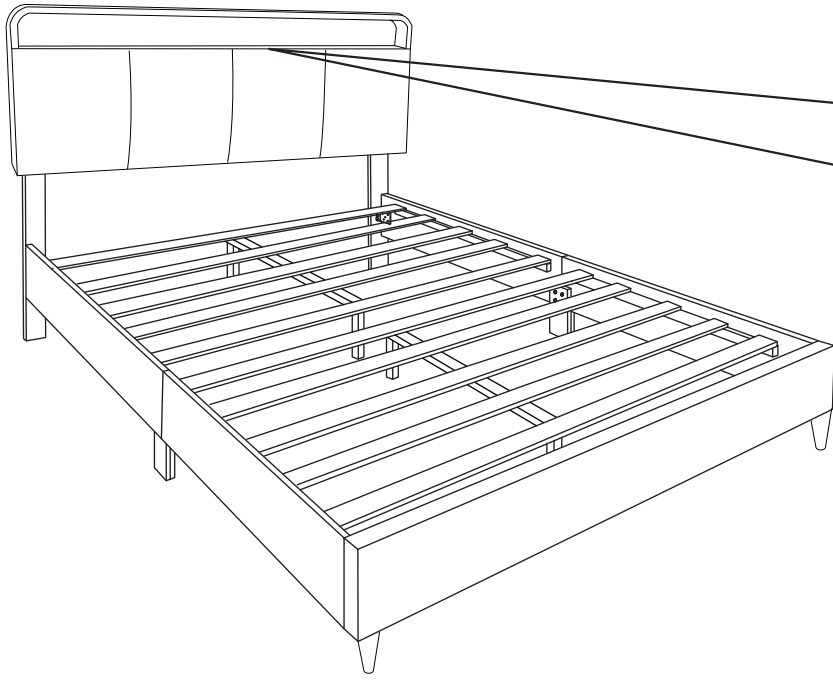
1 pcs

\*Attach led light to the metal plate.



STEP 7

13	11
	
1 pcs	2 pcs



COMPLETED  
ASSEMBLY