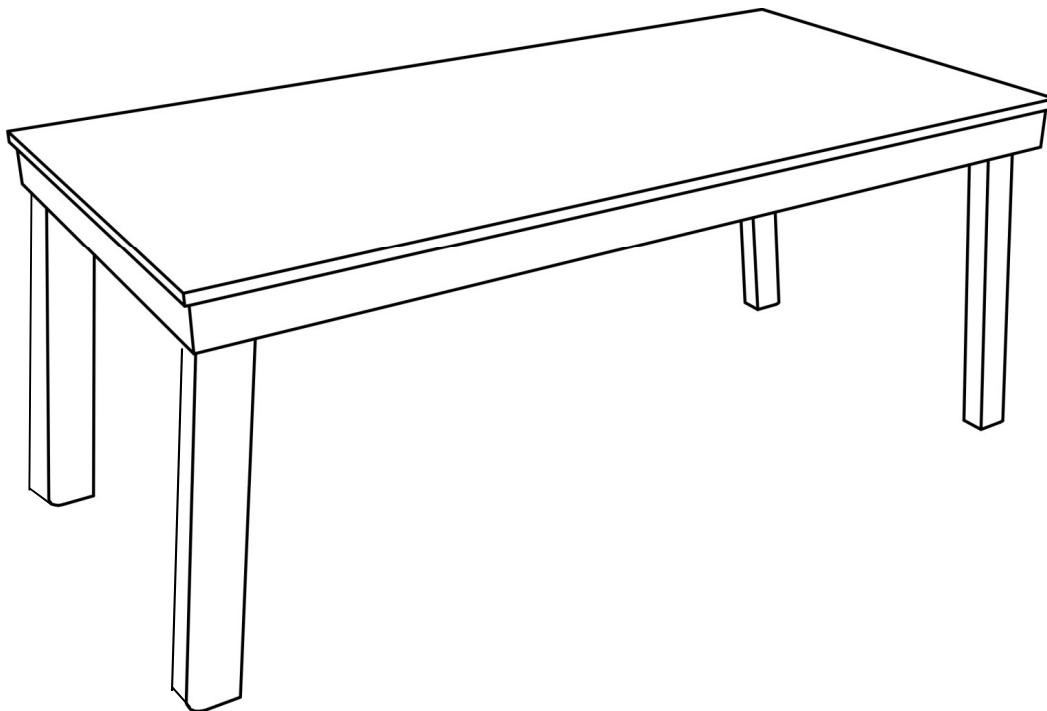


Assembly Instructions

Caution : You must read this before you proceed.

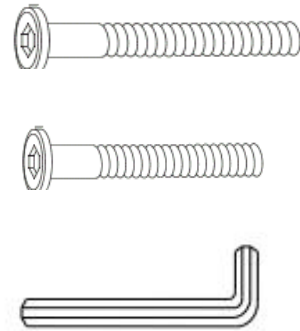
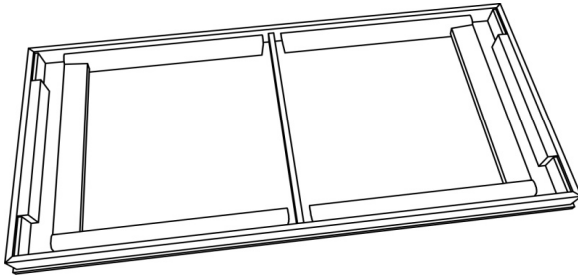
TABLE



CAUTION : This Table is NOT a TOY.
Keep your child / children at bay in the process of assembly.
For turning / flipping the Table and to prevent damage to the Table, 02 persons may be needed to execute this action.

Assembly Preparation

Before Beginning Assembly:



- Read instructions, cover to cover-



- Have 2 adults on hand for assembly-



- Do not assemble on flooring or carpet-

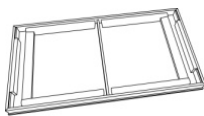





- Assemble on a clean non-marring surface (packing foam)-



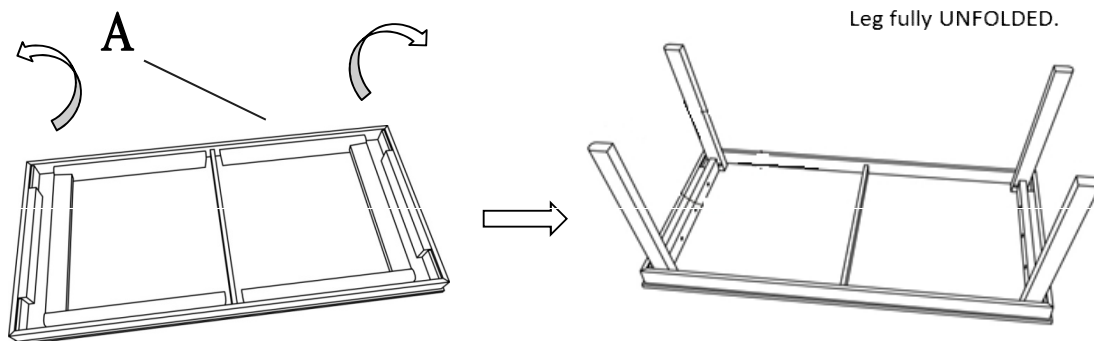
- Save all packaging until finished-

Parts List

NO.	Picture	Description	QTY
A		Table	1
Hardware			
B		Short Bolts (M8x50mm)	7
C		Long Bolts (M8x60mm)	5
D		Allen Key	1

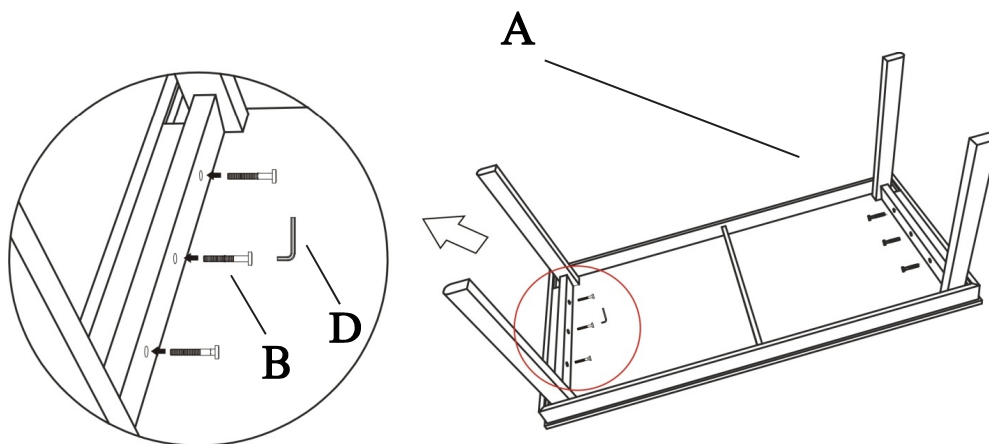
Assembly Steps

Step 1



Place the Table (A) upside down onto a clean, soft surface to avoid any scratches or damages to the product.
To UNFOLD the legs, lift the legs upwards and outwards, completely, as shown in the diagram.

Step 2



Insert the 3 Short Bolts (B) through the mounting position of the Middle Bar and affix the Middle Bar by using the Allen Key (D).

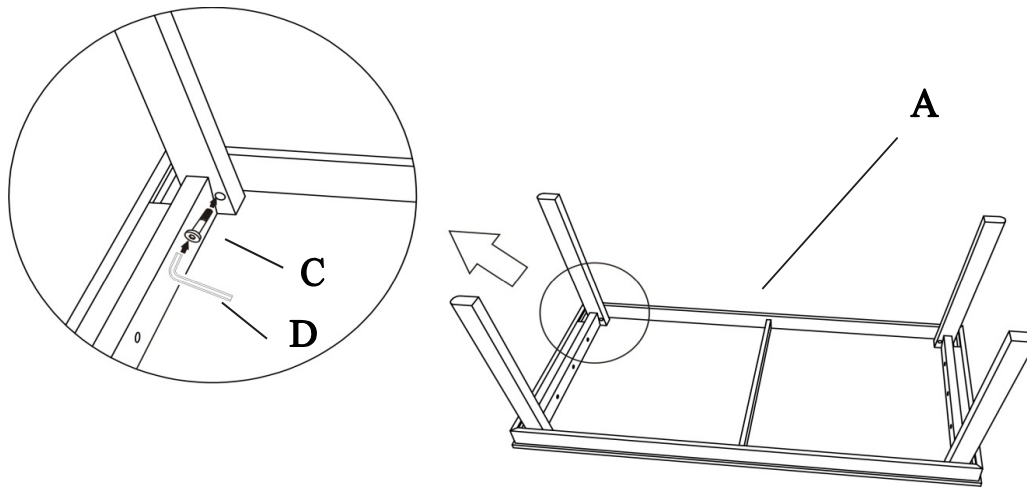
Repeat the same process for the other Leg Frame

CAUTION !! DO NOT OVER TIGHTEN.

OVER TIGHTENING COULD LEAD TO DAMAGE OF THE PRODUCT.

SLOWLY TIGHTEN ONLY UNTIL SECURE AND STABLE.

Step 3



Insert the Long Bolt (C) through the mounting position of the Leg and affix the Leg by using the Allen Key (D) as shown in the round picture

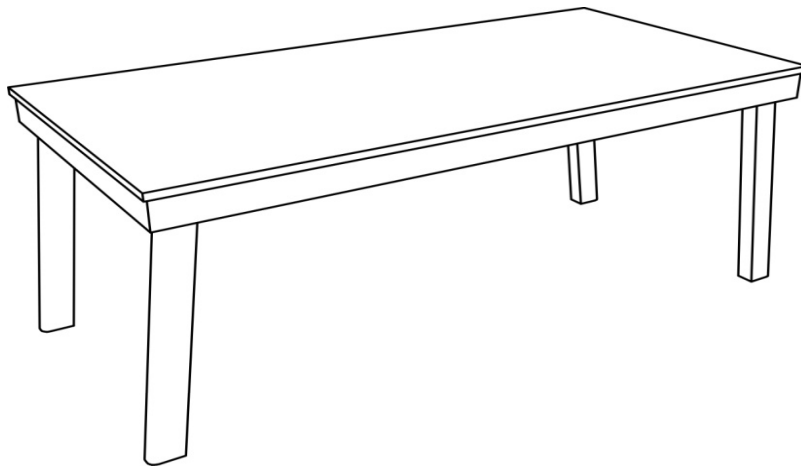
Repeat the same process for the other 03 Legs

To ensure there is NO WOBBLES to the feet, DO NOT overtighten the Bolts.

Each Bolt (B) (C) are to be driven in sequentially and where necessary, the Table may be turned to check for evenness.

It may be necessary to execute this check twice to ensure that all 02 Leg Frames are affixed to the Table (A) with no wobbles.

Step 4























Turn the Table upright carefully

Proceed to fully tighten all Bolts (B) (C) with using the Allen Key (D), in a sequential manner.

Ensure that all Bolts are securely tightened.

The Table is ready to use now

Care & Maintenance

-   ● Do not put hot items directly on furniture surface
 -   ● Do not clean furniture with harsh cleansers or polish.
 -   ● Do not place furniture under direct sunlight.
 -   ● Do not place furniture near heating or cooling vents.
 -   ● Do not write on furniture without a padded barrier to protect the surface.
 -   ● Do not place furniture outside . For indoor use only .
 -   ● Not for commercial use. For residential use only .
 -   ● Stains may be removed with mild soap solution and damp cloth.
 -   ● Children should not climb or jump on the furniture.
-
-   ● Dust and pick-up spills using a clean, non-colored, lint-free cloth .

What is Proposition 65?

Proposition 65 is a California law that requires warning labels on products that may contain one of more than 800-plus chemicals or ingredients that the California Office of Environmental Health Hazard Assessment (OEHHA) has deemed to cause cancer or other reproductive toxicity. Chemicals and elements on this list include wood dust, brass, and other everyday substances, which can be found in very common household items, such as: lamps, tableware, jewelry, crystal glasses, electric cords, beauty products, automobiles, and furniture.

Why Did I Find a Proposition 65 Warning on My Home Goods Product?

We include Proposition 65 warnings on all of our products because there is always a chance that one of the 800-plus common chemicals and ingredients listed under this law could potentially be on our furniture or packing materials. We risk large fines under this law, if we don't include this warning.

Should I worry?

We realize you may be worried finding this warning on our products, but we want to reassure you that the hazardous exposure limits for any of these chemicals have never been found on furniture products that we've shipped to our customers. Additionally, this warning label is very common and can be found on almost every piece of furniture sold in the state of California.

Just How Common Are Proposition 65 Warnings?

Proposition 65 warnings have become so common in California that it is hard to take a trip to a local bank, grocery store, or restaurant without finding at least one warning. In fact, even the Disney Land Resort has a Proposition 65 warning:

