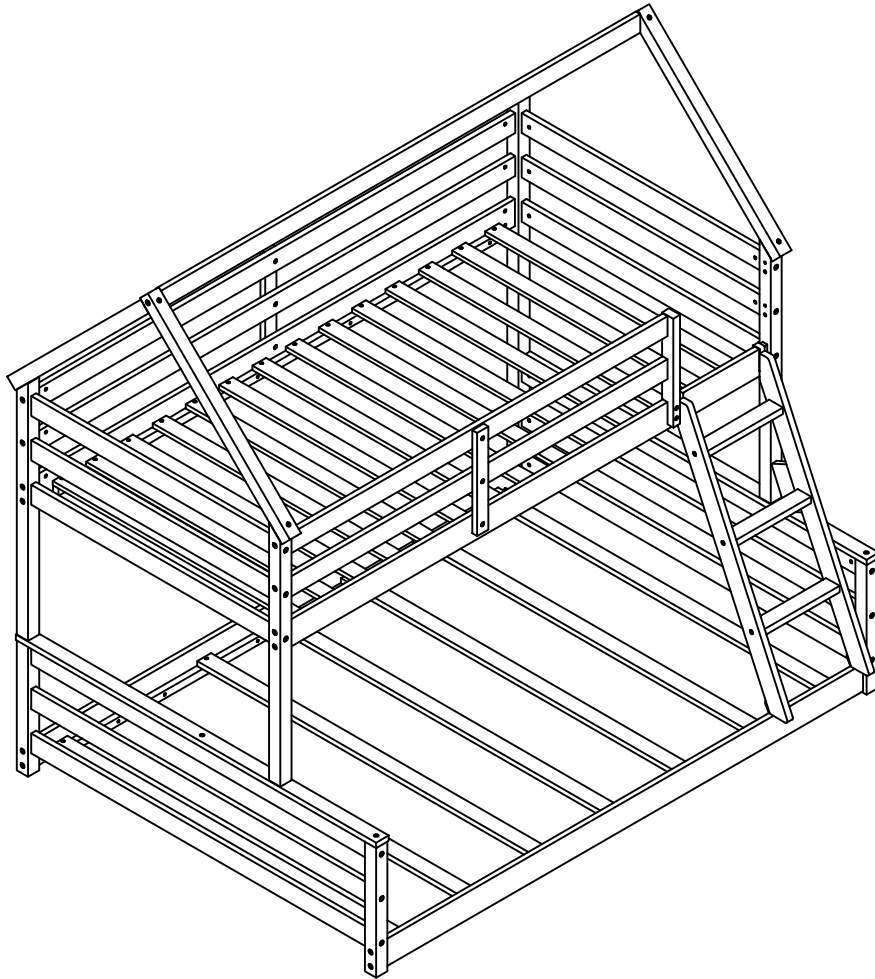


# ASSEMBLY INSTRUCTIONS

## TWIN/FULL HOUSE BUNK BED



## SAFETY WARNINGS AND GENERAL NOTES :

Follow the information on the warnings on the bunk bed end structure and on the carton. Do not remove the warning label from the bed. Always use the recommended size mattress on mattress support, or both, to help prevent the likelihood of entrapment or falls.

The top surface of the mattress must be at least 5\*inch (127mm) below the upper edge of the guardrail.

Do not allow children under 6 years of age to use the upper bunk.

Periodically check and ensure the guardrail, ladder and other components are in their proper position, free from damage, and all connectors are tight.

Do not allow horseplay on or under beds.

Always prohibit jumping on the bed.

Prohibit more than one person on upper bunk.

Always use the ladder for entering and leaving the upper bunk.

Do not use substitute parts. Contact the manufacturer or dealer for replacement parts.

Use of a night-tight may provide added safety precaution for a child using the upper bunk.

Always use guardrails on both long sides of the upper bunk.

If the bunk bed will be placed next to a wall, the guardrail that runs the full length of the bed should be placed against the wall to prevent entrapment between the bed and the wall.

The use of water or sleep flotation mattresses is prohibited.

**STRANGULATION HAZARD**-Never attach or hang items to any part of the bunk bed that are not designed for use with the bed.

Keep these instructions for future reference.

We recommend assembling your bunk bed on the shipping carton to protect your floor or carpet.

Be certain all staples are out of the box before beginning assembly on the shipping carton.

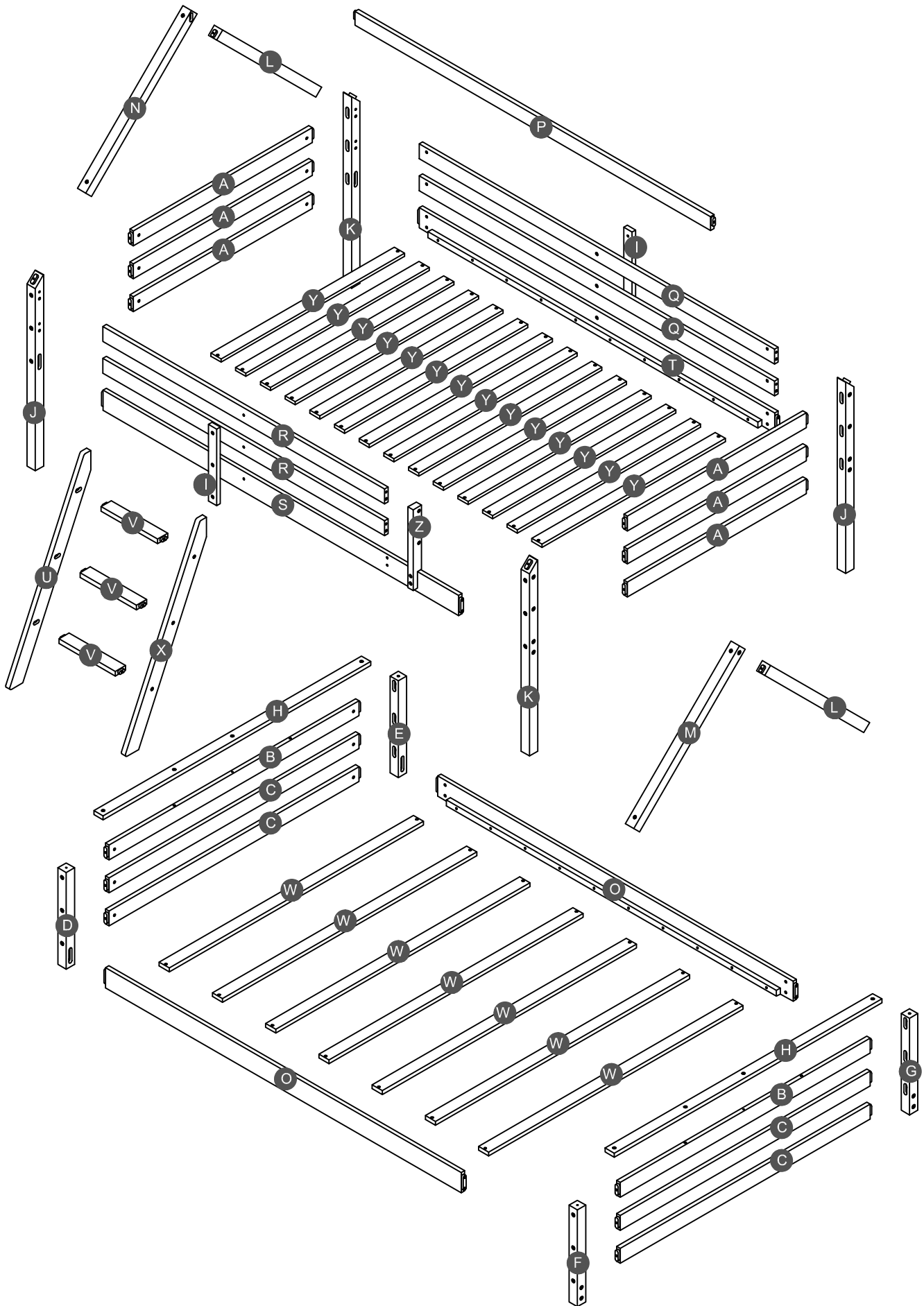
**THIS BED IS DESIGNED TO USE A TWIN MATTRESSES 37 1/2" - 38 1/2" WIDE X 74"-75" LONG WITH THE TOTAL THICKNESS NOT EXCEEDING 6" FOR UPPER BUNK, FOR THE LOWER FULL-SIZE SHOULD BE 53"-54" WIDE X 74"-75" LONG, WIDE WITH 8" THICKNESS.**

**SURFACE OF MATTRESS MUST BE AT LEAST 5" (127MM) BELOW THE UPPER EDGE OF GUARDRAILS.**


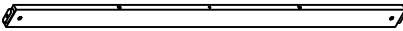
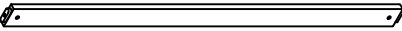
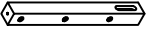
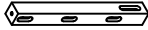
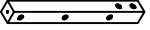
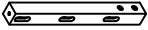
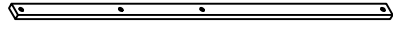
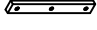

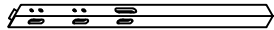
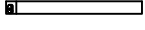
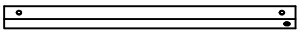
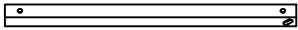
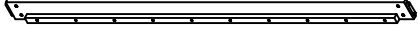
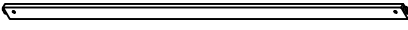
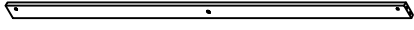
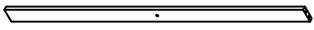
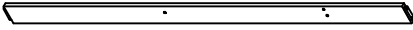

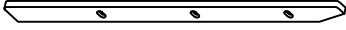
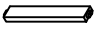
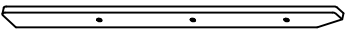
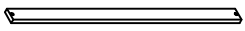
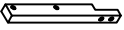
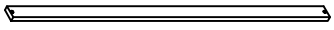
Replacement Parts:

Replacement Parts, including additional guardrails, may be obtained from any of our dealers

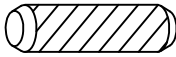

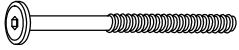
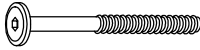
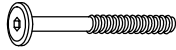







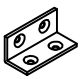
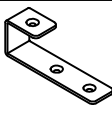


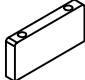

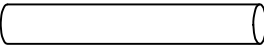
# Detail View



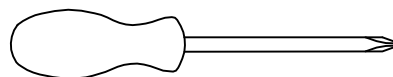
# Part List

|  |   |  |
|--|---|--|
| <b>A</b><br><br>Upper horizontal bar - 6pcs                   | <b>B</b><br><br>Lower horizontal bar - 2pcs                   | <b>C</b><br><br>Lower horizontal bar - 4pcs       |
| <b>D</b><br><br>Lower Leg (Left Front ) - 1pc                 | <b>E</b><br><br>Lower Leg (Left Back ) - 1pc                   | <b>F</b><br><br>Lower Leg (Right Front ) - 1pc    |
| <b>G</b><br><br>Lower Leg (Right Back ) - 1pc                 | <b>H</b><br><br>Cap for (HB / FB ) - 2pcs                      | <b>I</b><br><br>Vertical guard rail - 2pcs        |
| <b>J</b><br><br>Upper Leg<br>(Left Front /Right back ) - 2pcs | <b>K</b><br><br>Upper Leg<br>(Left Back / Right Front ) - 2pcs | <b>L</b><br><br>Upper (Back) - 2pcs               |
| <b>M</b><br><br>Upper (Right Front) - 1pc                     | <b>N</b><br><br>Upper (Left Front) - 1pc                       | <b>O</b><br><br>Lower side rail - 2pcs            |
| <b>P</b><br><br>Upper horizontal - 1pc                      | <b>Q</b><br><br>Long guard rail (Back) - 2pcs               | <b>R</b><br><br>Short guard rail (Front) - 2pcs |
| <b>S</b><br><br>Upper side rail (Front)- 1pc                | <b>T</b><br><br>Upper side rail (Back)- 1pc                 | <b>U</b><br><br>Left side ladder - 1pc          |
| <b>V</b><br><br>Step ladder - 3pcs                          | <b>X</b><br><br>Right side ladder - 1pc                      | <b>Y</b><br><br>Upper slats - 14pcs             |
| <b>Z</b><br><br>Front guard rail support-1pc                | <b>W</b><br><br>Lower slats - 7pcs                           |  |

# Hardware List



|           |  |           |  |           |  |
|-----------|--|-----------|--|-----------|--|
| <b>1</b>  | <br>Ø10*40mm<br>Wood dowel (8pcs)                   | <b>2</b>  | <br>(Ø12)1/4"*40mm<br>Hex-Head bolts (4pcs) | <b>3</b>  | <br>(Ø15)1/4"*100mm<br>Hex-Head bolts (24pcs) |
| <b>4</b>  | <br>(Ø15)1/4"*80mm<br>Hex-Head bolts (26pcs)        | <b>5</b>  | <br>(Ø12)1/4"*60mm<br>Hex-Head bolts (8pcs) | <b>6</b>  | <br>(Ø12)1/4"*30mm<br>Hex-Head bolts (8pcs)   |
| <b>7</b>  | <br>1/4"*15 (9.5mm)<br>Horizontal-Hole bolts(56pcs) | <b>8</b>  | <br>(Ø12)1/4"*35mm<br>Hex-Head bolts (2pcs) | <b>9</b>  | <br>75*20*18*(2mm)<br>Bracket(2pcs)           |
| <b>10</b> | <br>Ø4*19mm<br>Wood screws (14pcs)                  | <b>11</b> | <br>(1/4")4.5*58mm<br>Allen key (1pc)       | <b>12</b> | <br>Ø4*30mm<br>Wood screws (42pcs)            |
| <b>13</b> | <br>40*18*18*2mm<br>Metal bracket (2pcs)          | <b>14</b> | <br>80*28*20(2.0mm)<br>Hooks (2pcs)       | <b>15</b> | <br>(Ø12)1/4"*65mm<br>Hex-Head bolts (6pcs) |
| <b>16</b> | <br>ø3.5*15 mm<br>Wood screws (4pcs)              | <b>17</b> | <br>150*80*19mm<br>Ladder stopper (1pc)   | <b>18</b> | <br>Ø1/4"*16*1mm<br>Flat Washer (2pcs)      |
| <b>19</b> | <br>Ø9*90mm<br>Metal connector (4pcs)             |           |  |           |  |

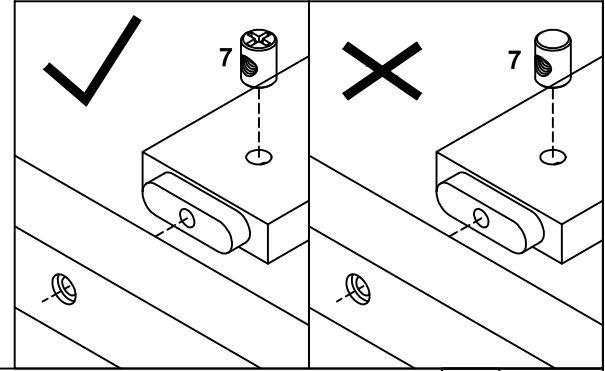
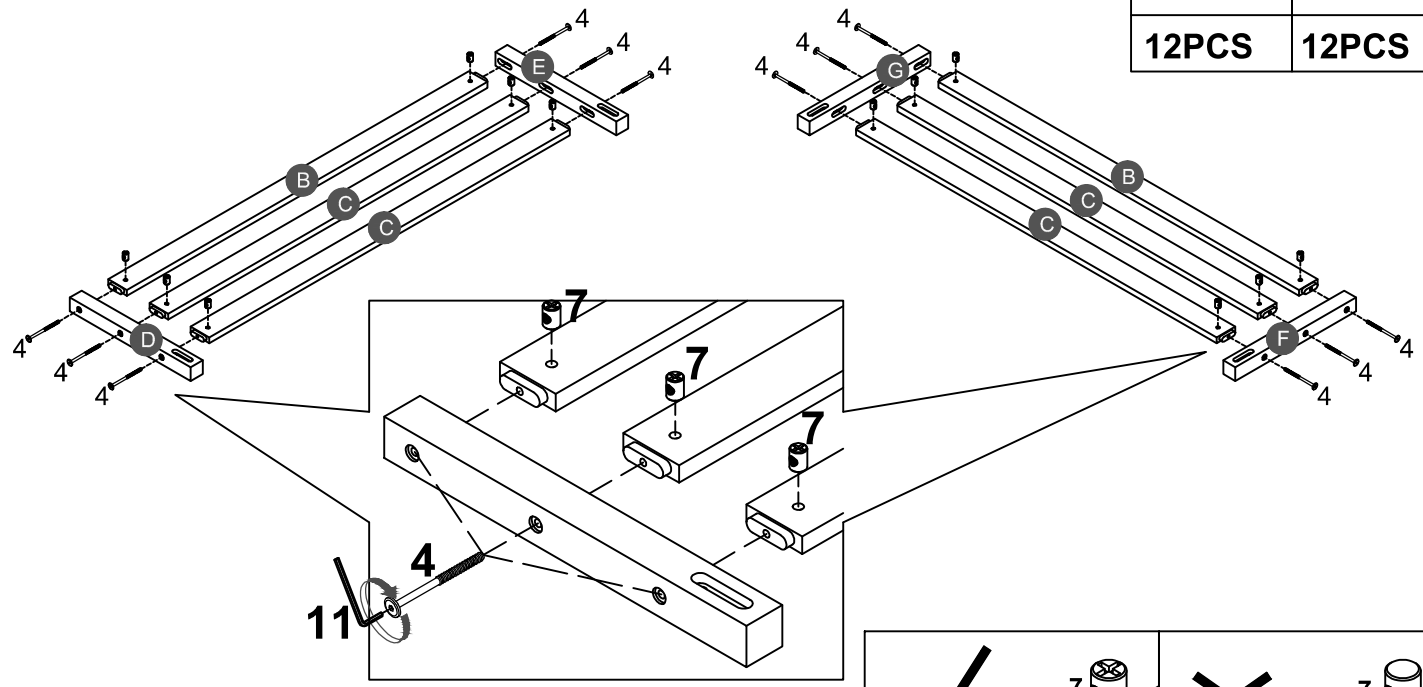
## ASSEMBLY TOOLS REQUIRED ( NOT INCLUDED )



PLEASE BE CAREFUL DO NOT DAMAGE THE HOLE POSITION WHEN YOU USE POWER TOOLS !


# STEP 1:

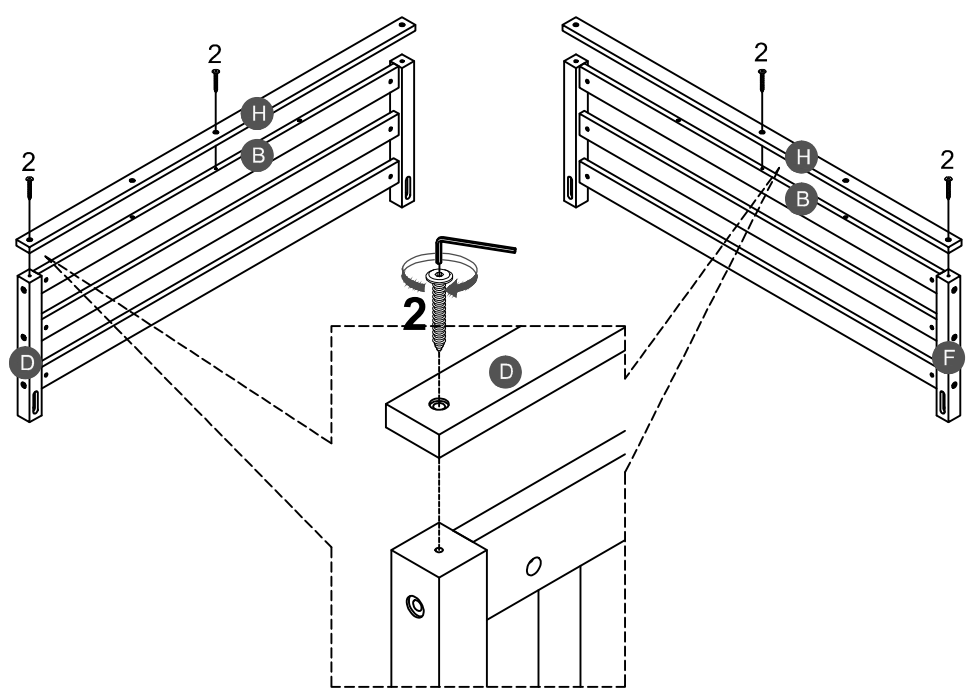
|              |  |              |   |
|--------------|--|--------------|---|
| <b>4</b>     |  | <b>7</b>     |  |
| <b>12PCS</b> |  | <b>12PCS</b> |   |



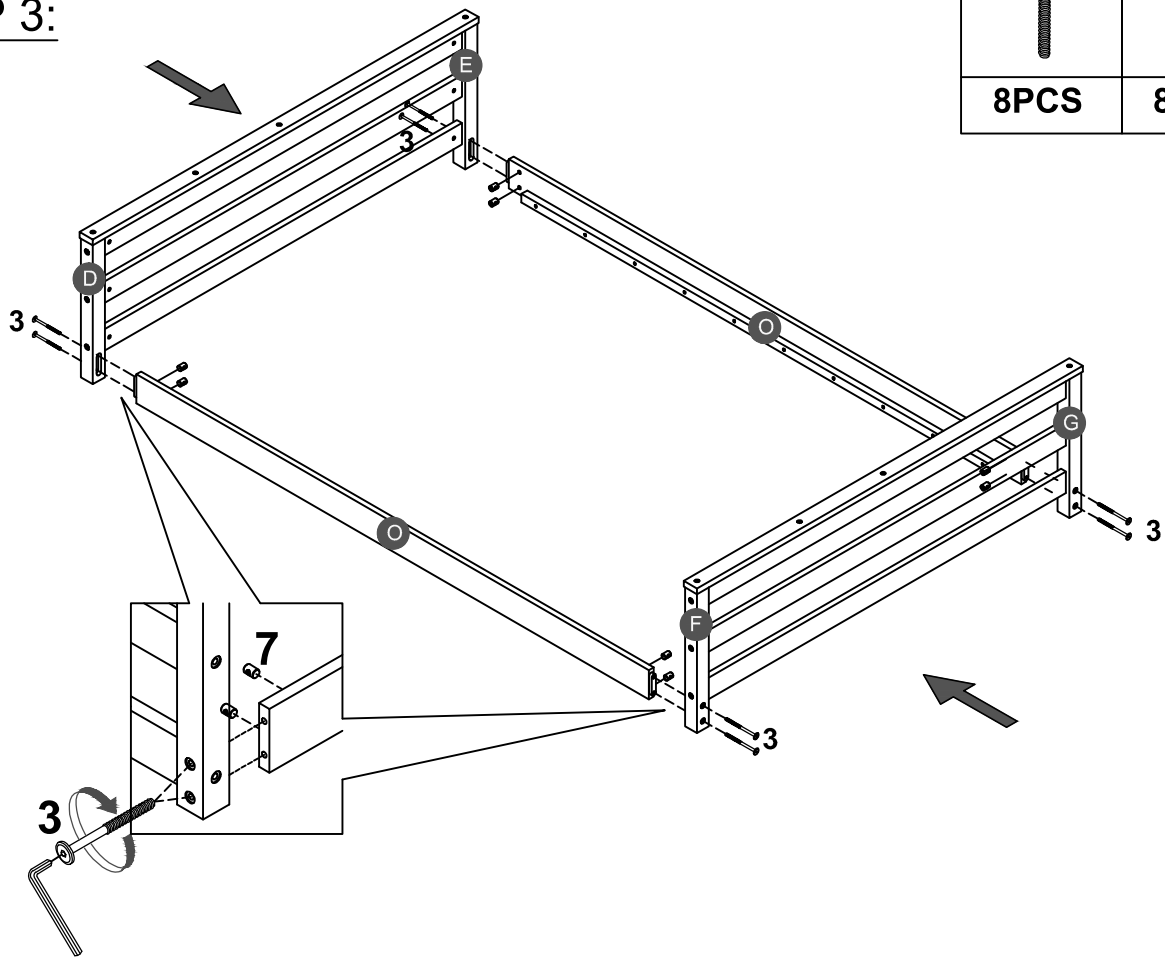
Note: Part 7 will face up with the "x" mark on it, otherwise it cannot be tightened

# STEP 2:

|             |   |
|-------------|---|
| <b>2</b>    |  |
| <b>4PCS</b> |   |

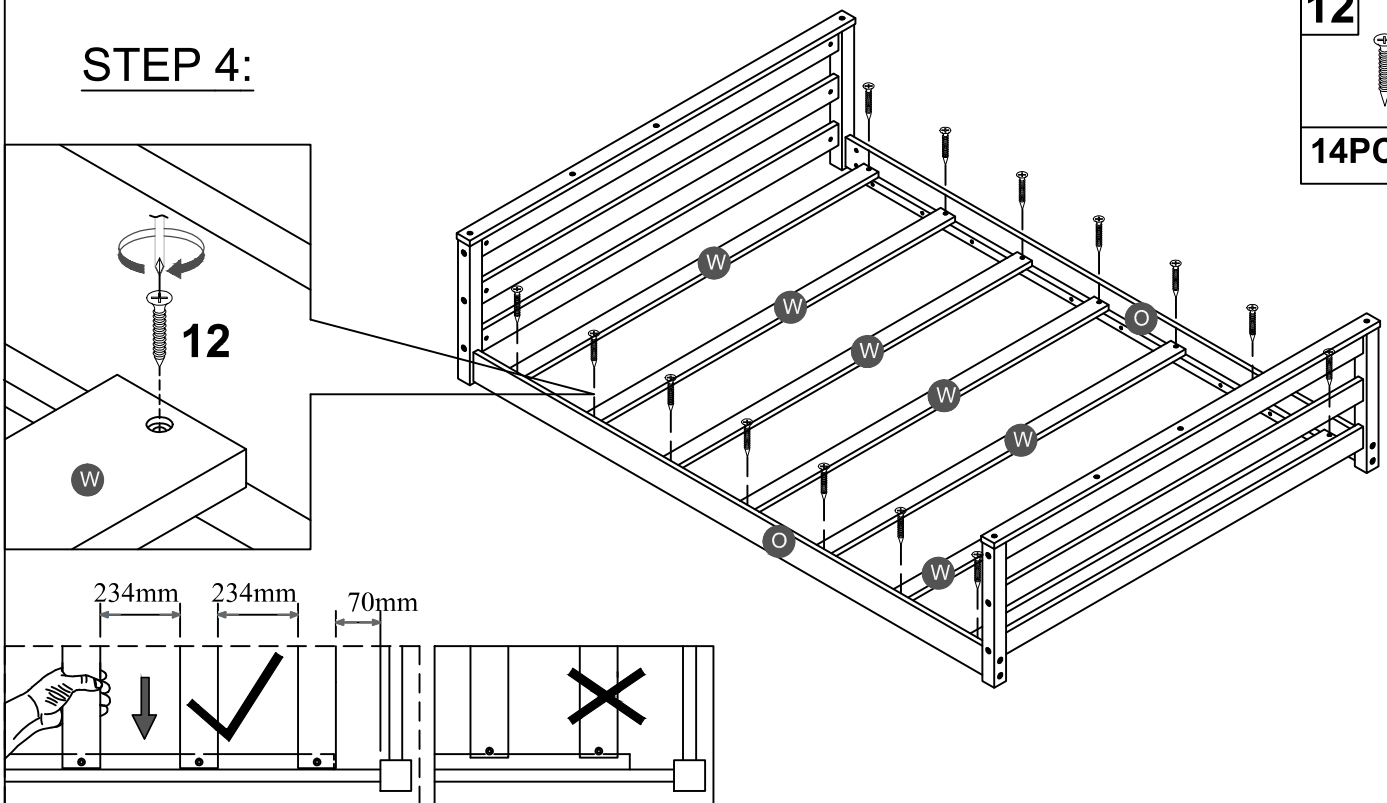


**STEP 3:**



|          |      |          |      |
|----------|------|----------|------|
| <b>3</b> |      | <b>7</b> |      |
|          | 8PCS |          | 8PCS |



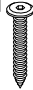
**STEP 4:**

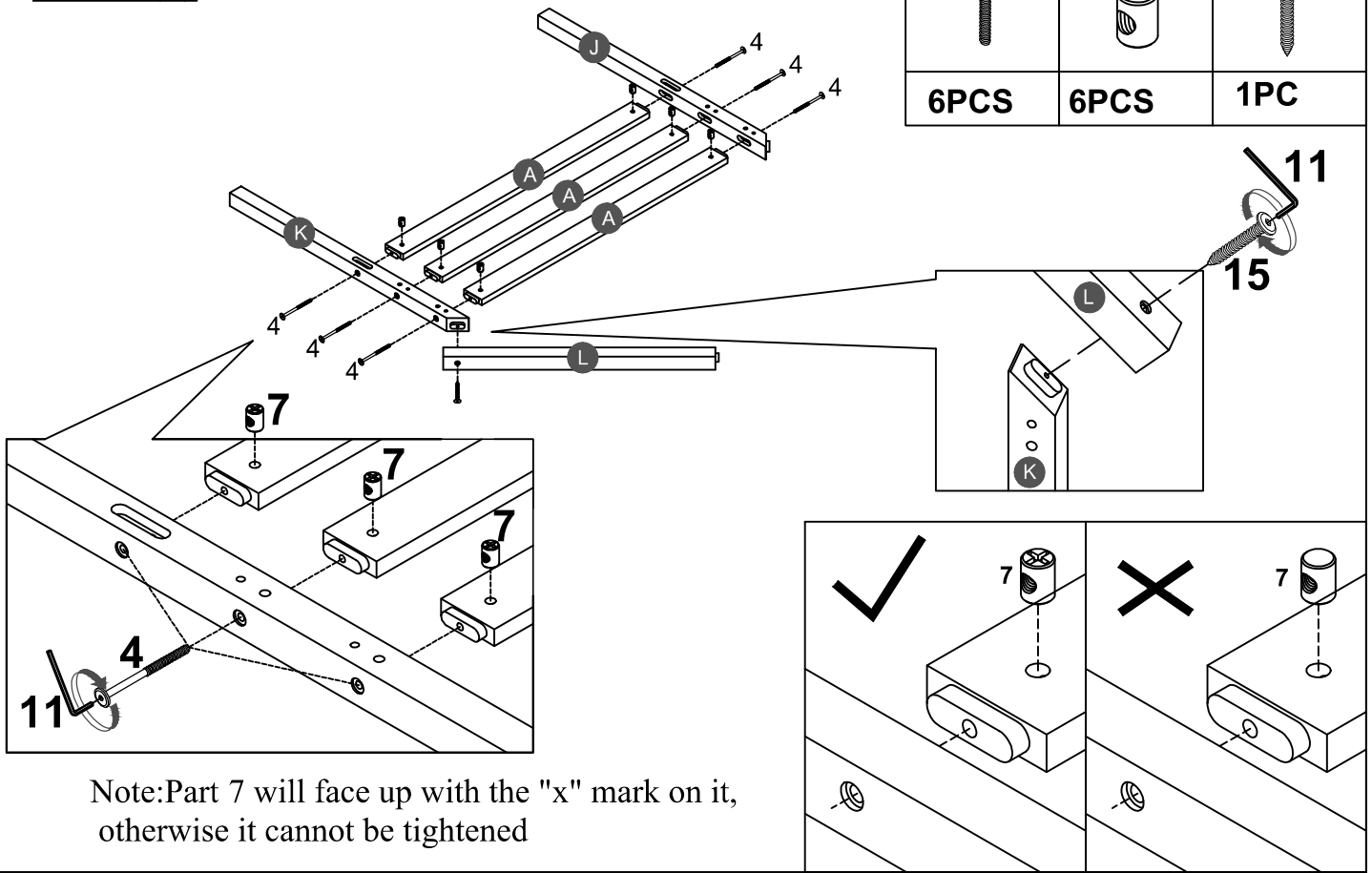


|           |       |
|-----------|-------|
| <b>12</b> |       |
|           | 14PCS |


Note: Do not lock the screws of the bed slats to the outermost edge of the bed slats, you need to leave a certain space at the edges, otherwise it will cause the board to break. Do not lock the bed slats on the edge of the wood, please hold firmly before screwing, hold it in place with one hand, then lock the screw.

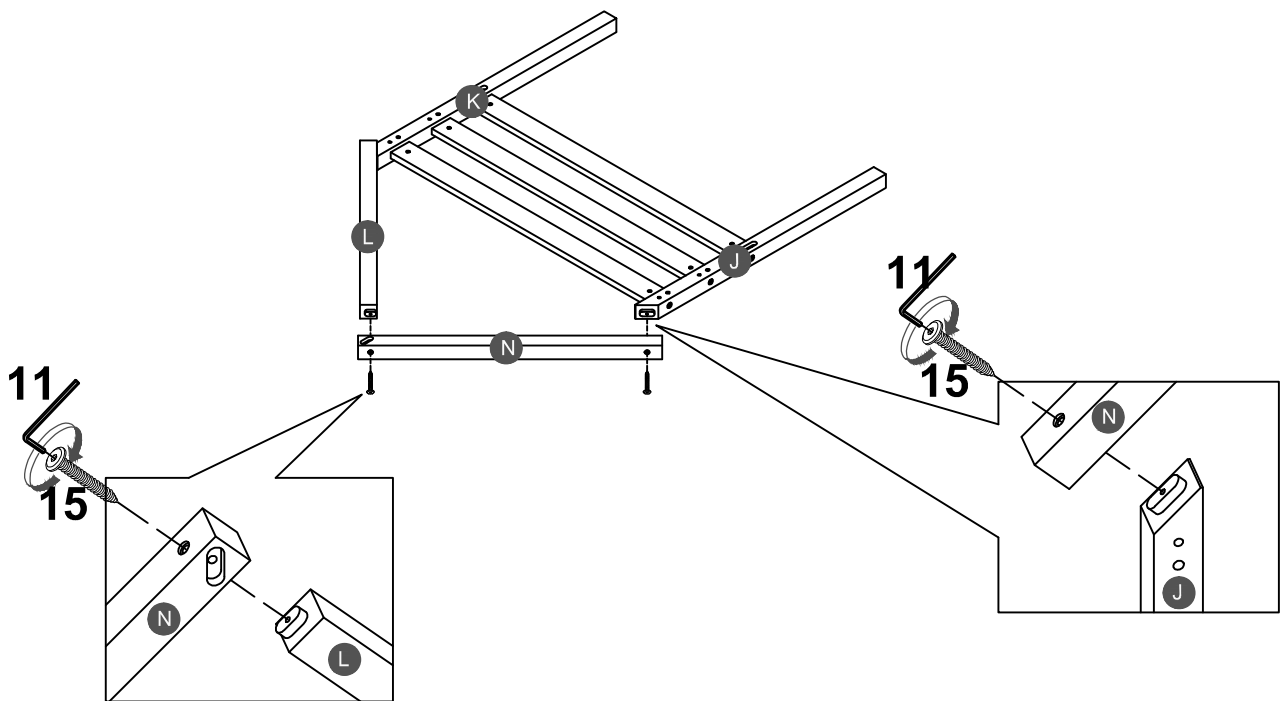
# STEP 5:

|   |   |   |
|---|---|---|
| 4   | 7   | 15  |
|  |  |  |
| 6PCS  | 6PCS  | 1PC   |



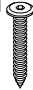


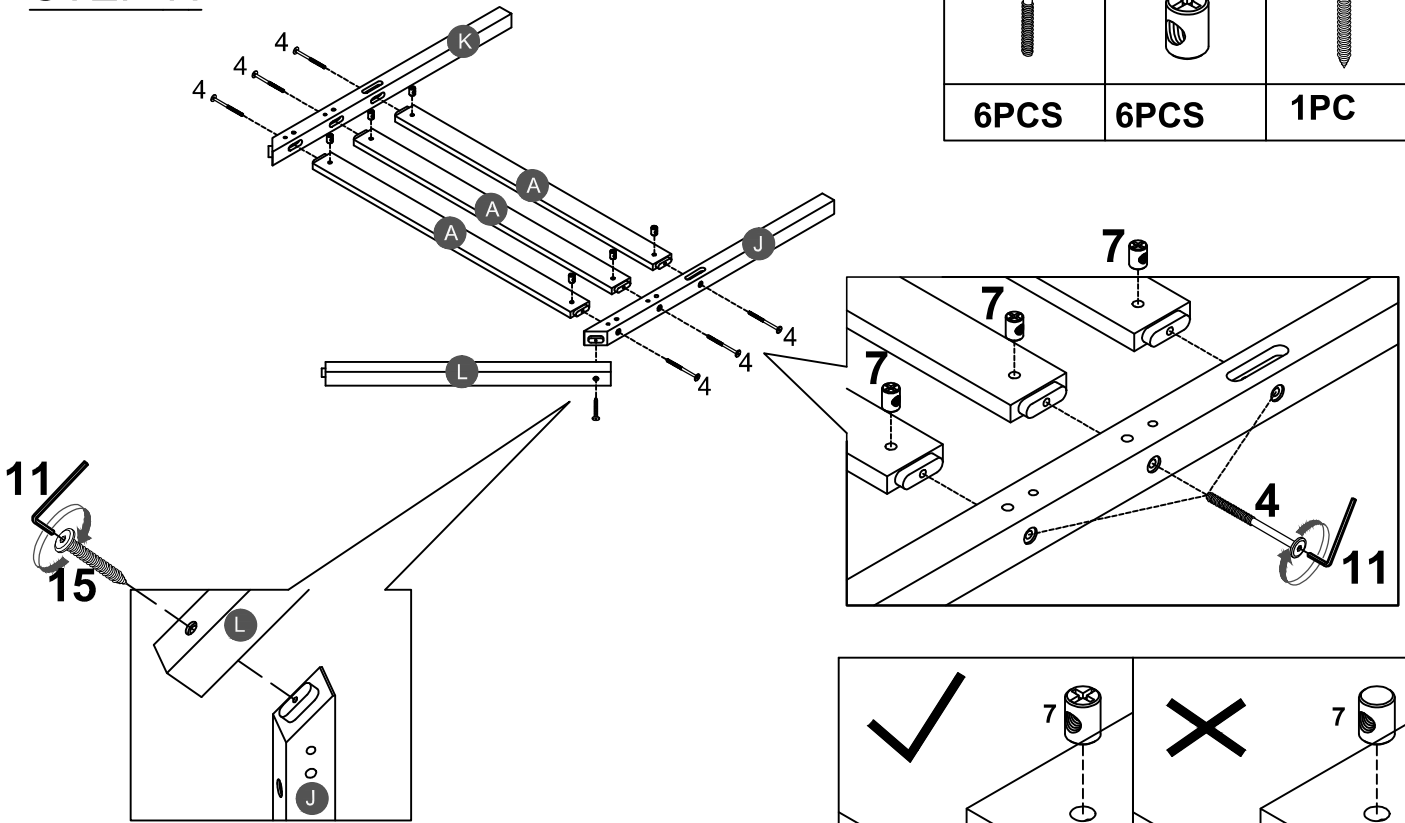
# STEP 6:

|   |
|---|
| 15  |
|  |
| 2PCS  |

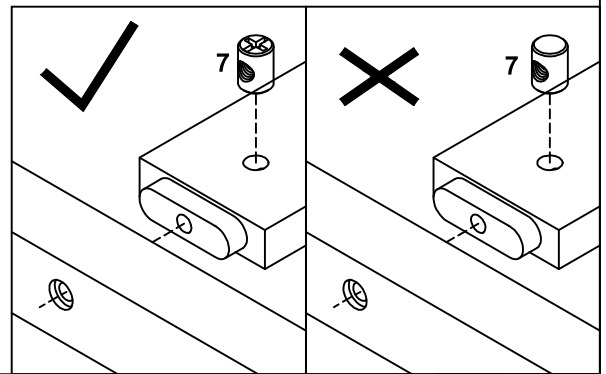


# STEP 7:


|      |   |      |   |     |   |
|------|---|------|---|-----|---|
| 4    |  | 7    |  | 15  |  |
| 6PCS |   | 6PCS |   | 1PC |   |

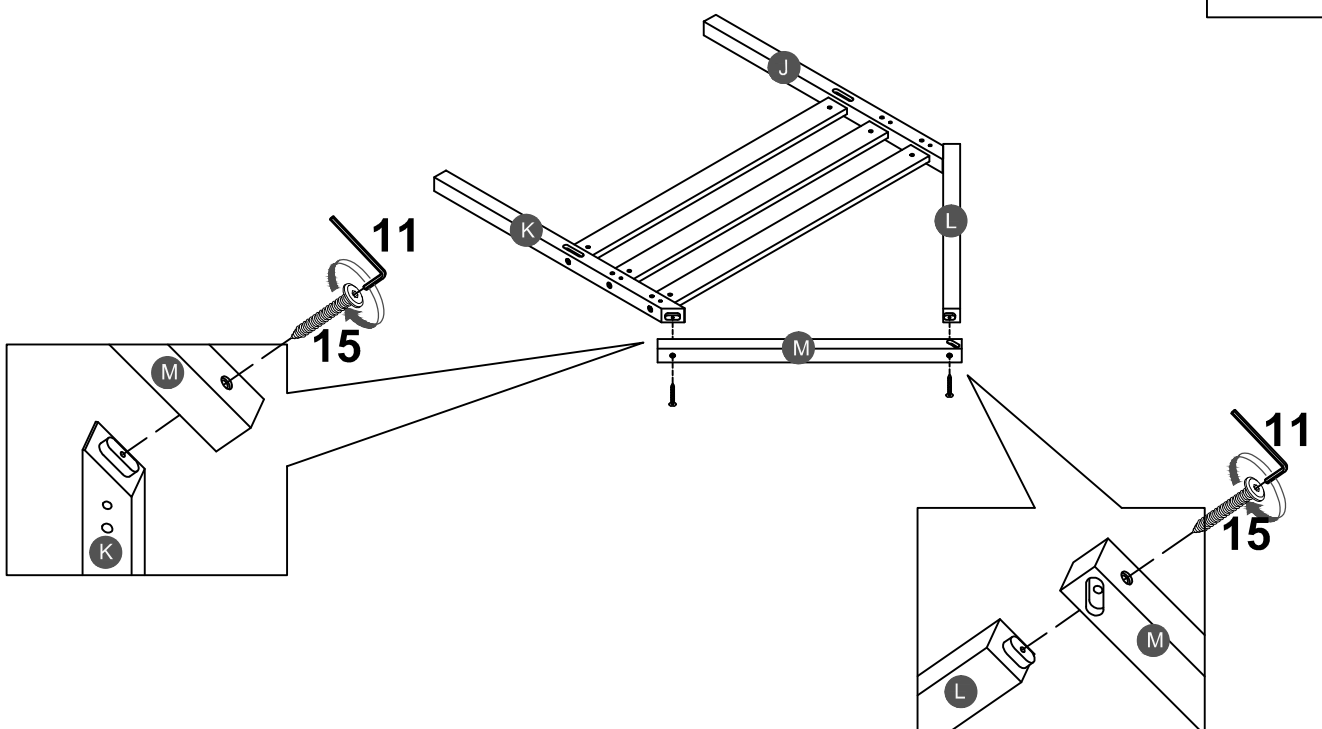


Note: Part 7 will face up with the "x" mark on it, otherwise it cannot be tightened

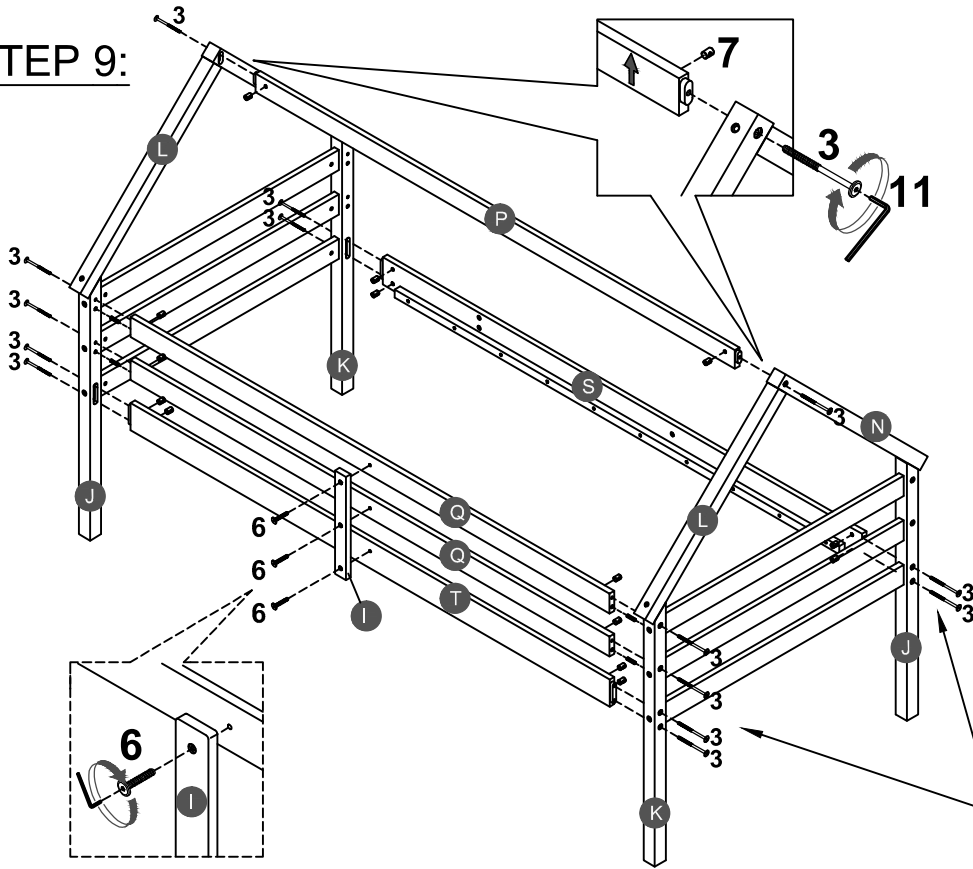


# STEP 8:

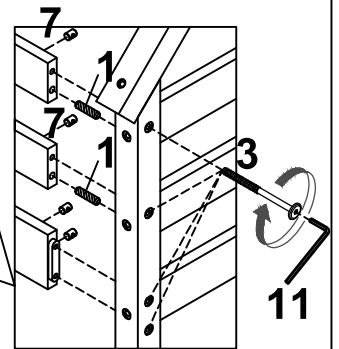
|      |   |
|------|---|
| 15   |  |
| 2PCS |   |



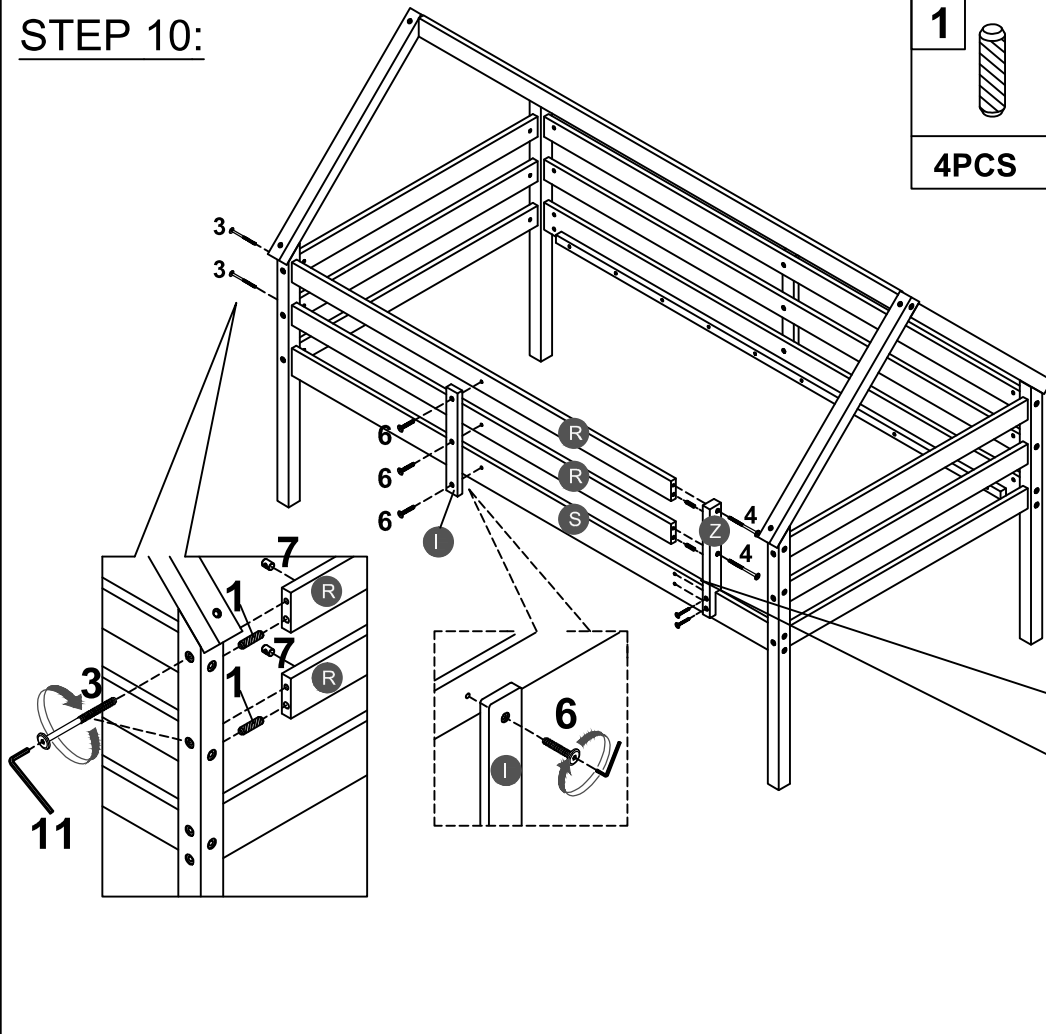
**STEP 9:**



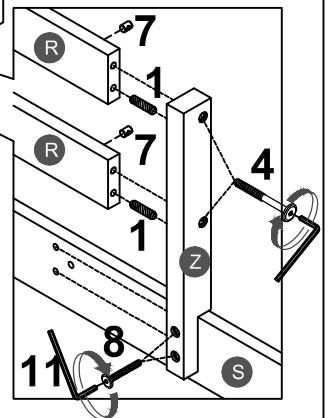
|      |  |       |  |
|------|--|-------|--|
| 1    |  | 3     |  |
| 4PCS |  | 14PCS |  |
| 6    |  | 7     |  |
| 3PCS |  | 14PCS |  |



**STEP 10:**



|      |  |      |  |      |  |
|------|--|------|--|------|--|
| 1    |  | 3    |  | 4    |  |
| 4PCS |  | 2PCS |  | 2PCS |  |
| 6    |  | 7    |  | 8    |  |
| 3PCS |  | 4PCS |  | 2PCS |  |

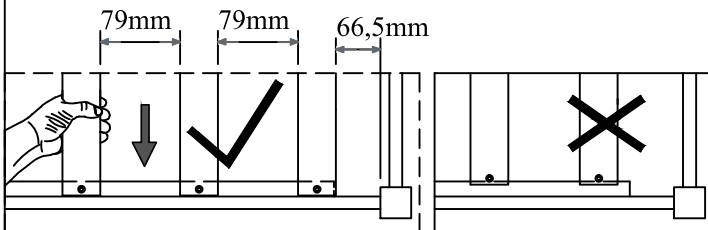
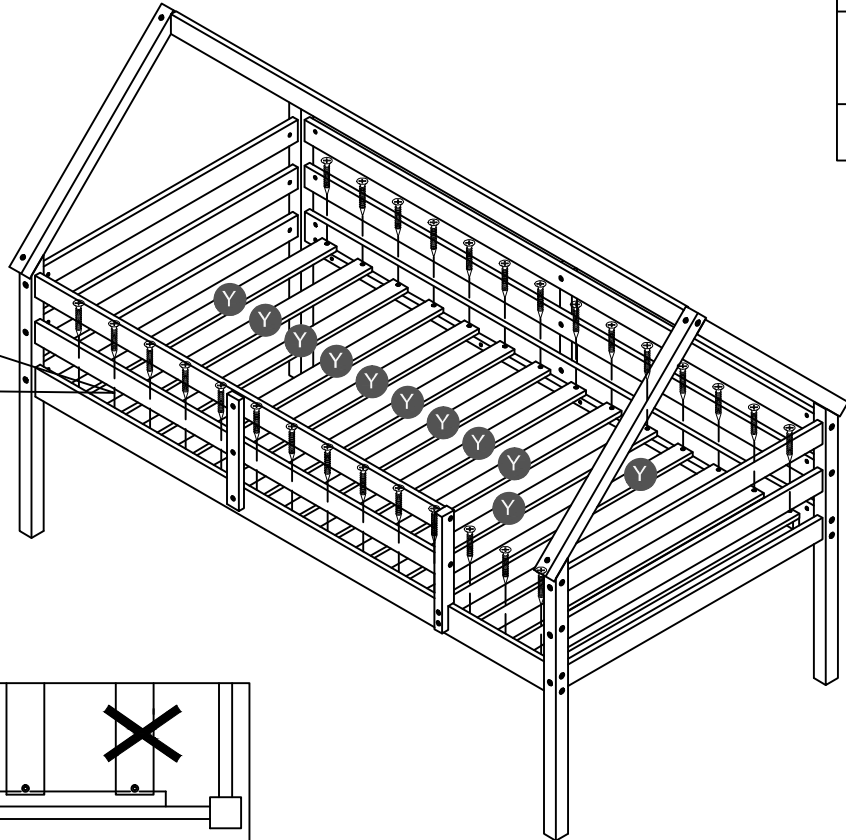
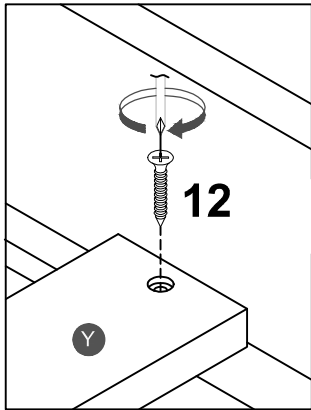


## STEP 11:

12



28PCS



Note: Do not lock the screws of the bed slats to the outermost edge of the bed slats, you need to leave a certain space at the edges, otherwise it will cause the board to break.  
Do not lock the bed slats on the edge of the wood, please hold firmly before screwing, hold it in place with one hand, then lock the screw.

## STEP 12:

13



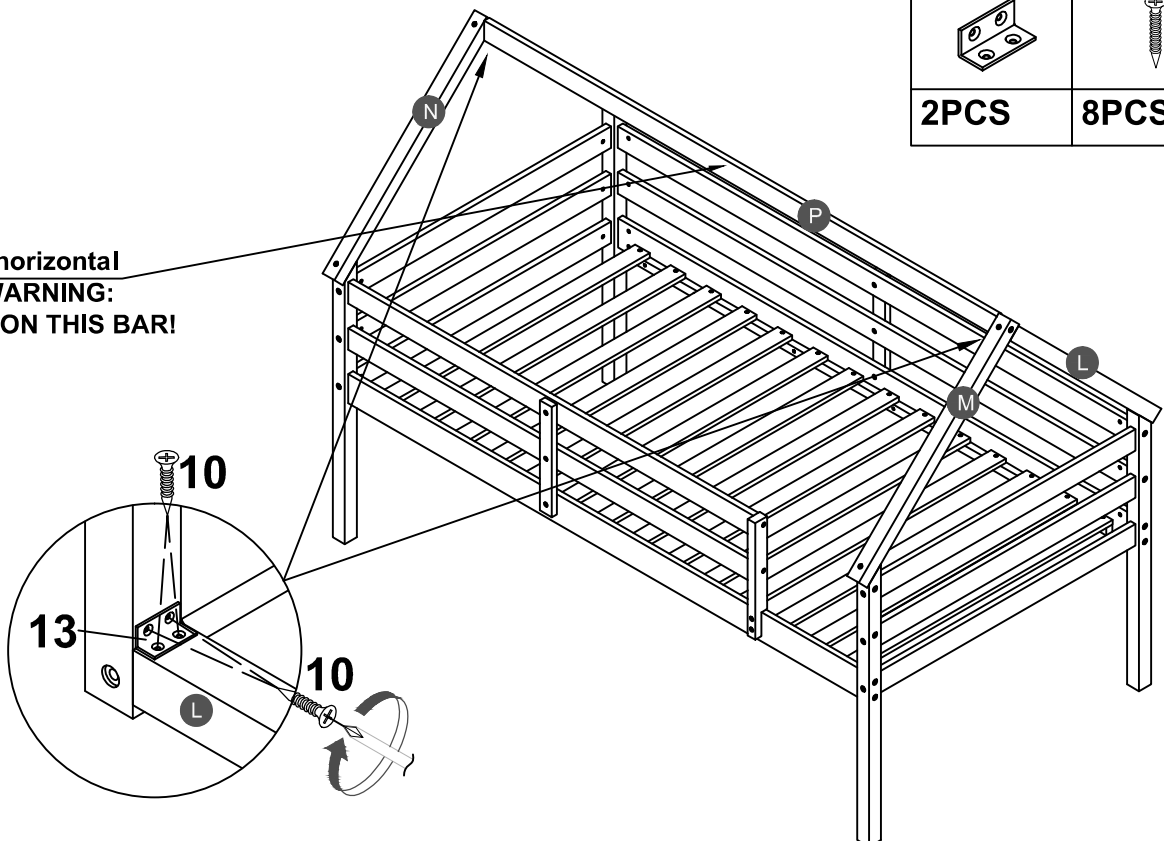
2PCS

10



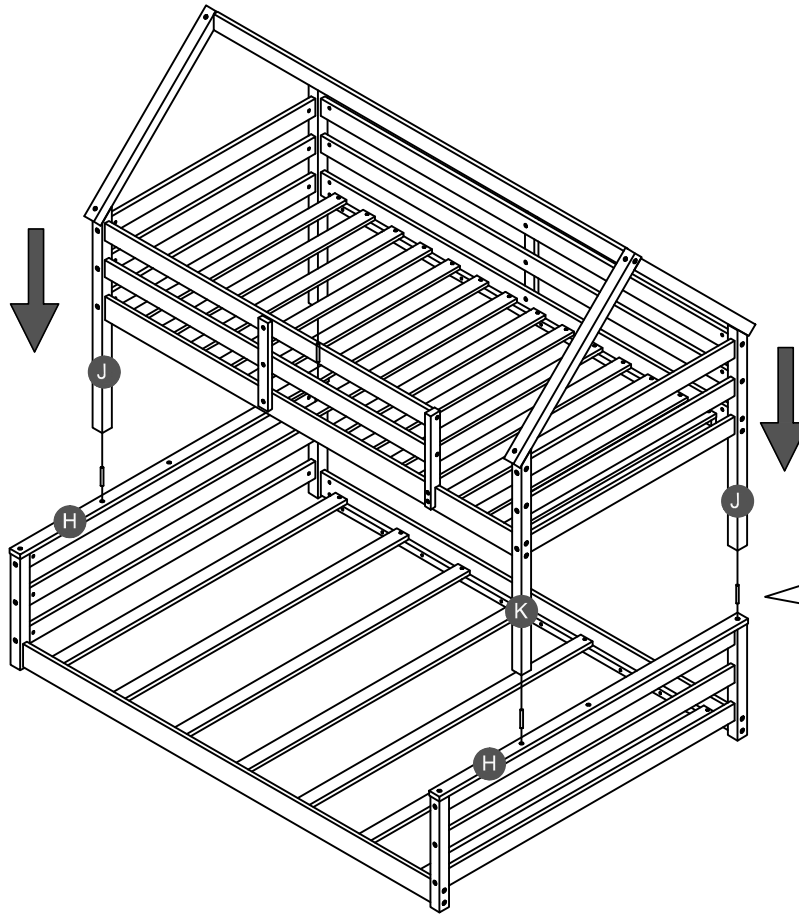
8PCS

Remark: Upper horizontal  
paste stickers **WARNING:**  
DO NOT HANG ON THIS BAR!

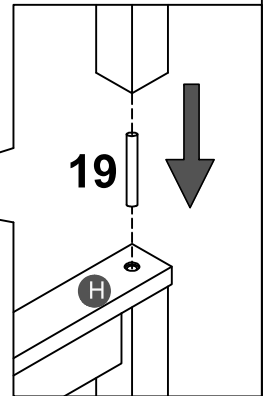


Remark: Upper horizontal (P) paste stickers  
**WARNING: DO NOT HANG ON THIS BAR!**

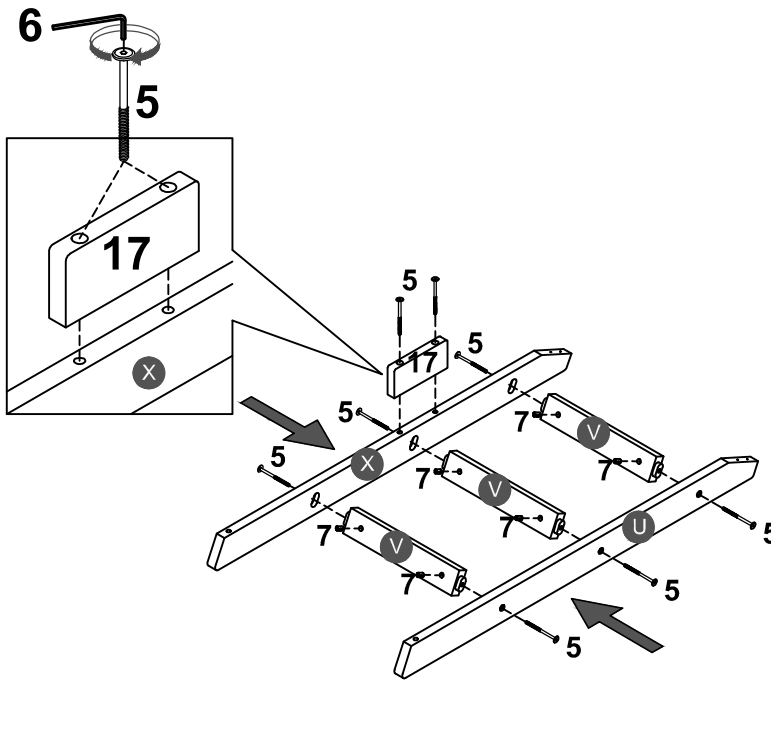
**STEP 13:**



|             |  |
|-------------|--|
| <b>19</b>   |  |
| <b>4PCS</b> |  |

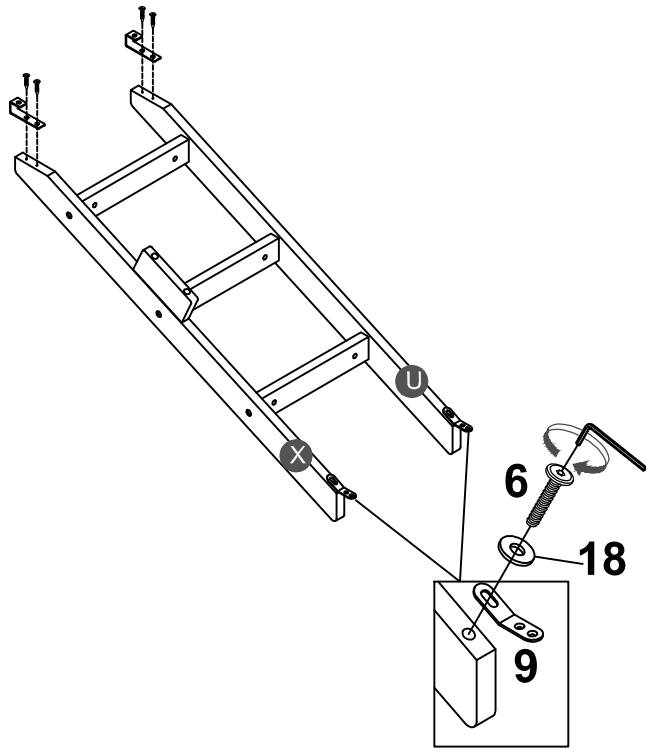
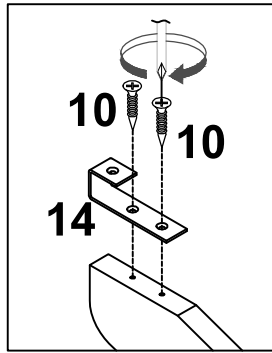


**STEP 14:**



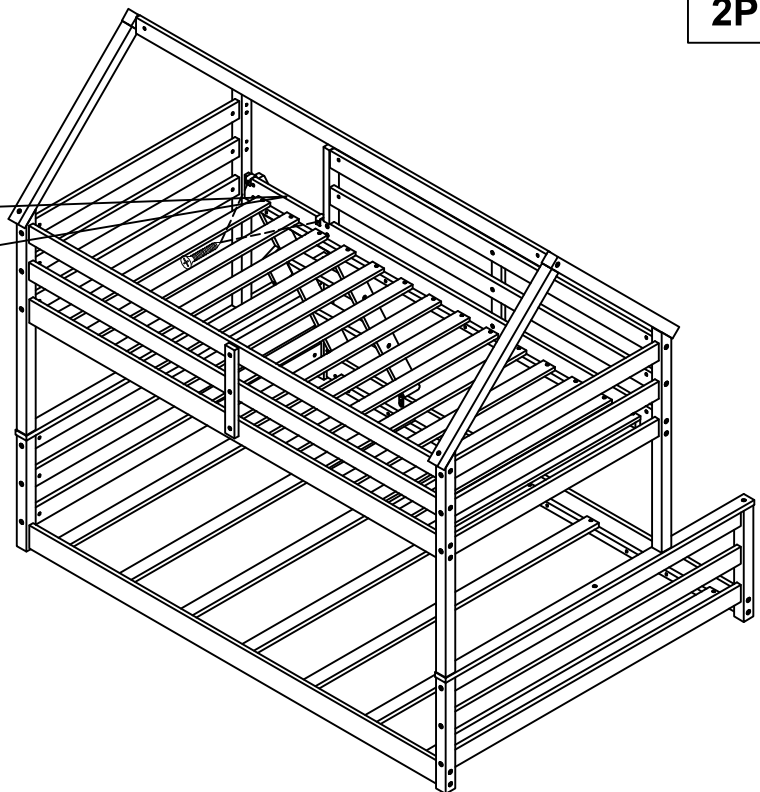
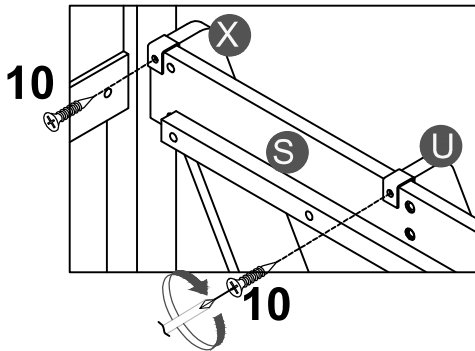
|             |  |             |  |            |  |
|-------------|--|-------------|--|------------|--|
| <b>7</b>    |  | <b>5</b>    |  | <b>17</b>  |  |
| <b>6PCS</b> |  | <b>8PCS</b> |  | <b>1PC</b> |  |

**STEP 15:**




|             |  |             |  |             |  |
|-------------|--|-------------|--|-------------|--|
| <b>6</b>    |  | <b>9</b>    |  | <b>10</b>   |  |
| <b>2PCS</b> |  | <b>2PCS</b> |  | <b>4PCS</b> |  |
|             |  |             |  | <b>14</b>   |  |
|             |  |             |  | <b>2PCS</b> |  |
|             |  |             |  | <b>18</b>   |  |
|             |  |             |  | <b>2PCS</b> |  |

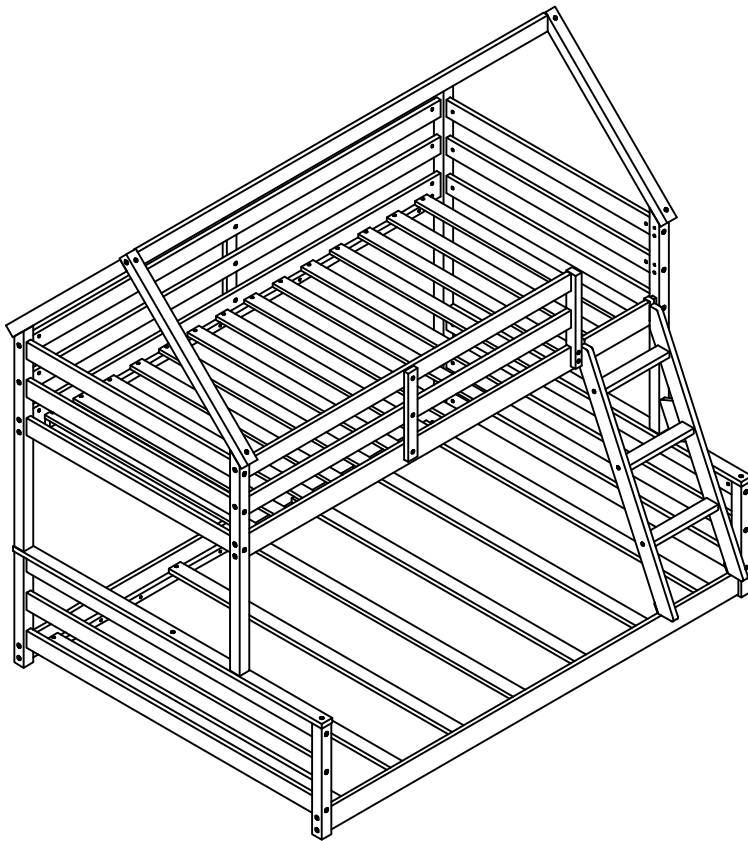
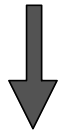
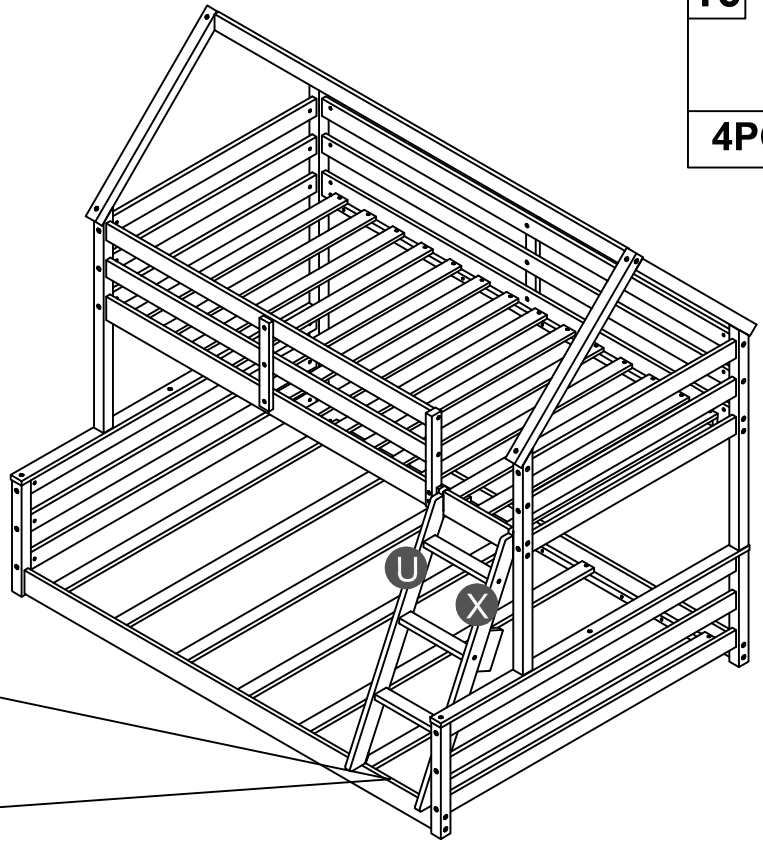
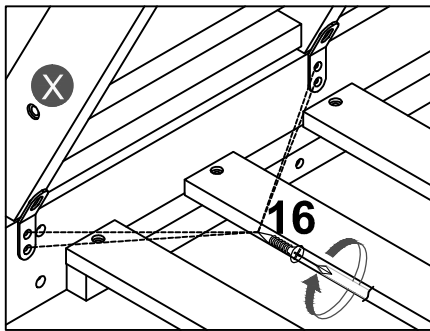
**STEP 16:**



|             |  |
|-------------|--|
| <b>10</b>   |  |
| <b>2PCS</b> |  |

**STEP 17:**

**16**  
  
**4PCS**



**REMARK: WARNING DO NOT HANG ON THE UPPER HORIZONTAL BAR!**