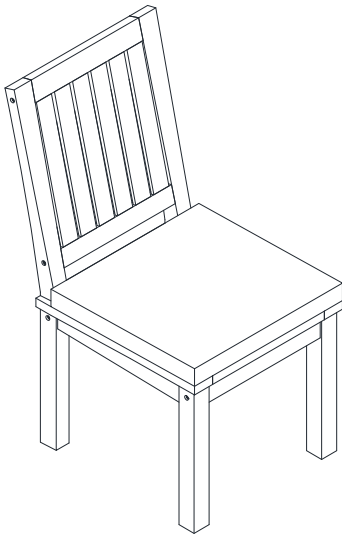


DINING CHAIR

Thank you for purchasing the **DINING CHAIR!**

Before you start, here is some helpful advice:

1. We suggest you spend a short time reading through this leaflet and then follow the simple step by step instructions.
2. Owing to the size and weight of the dining chair, we recommend that it is assembled by two adults, on a carpeted or padded area, in the room that it is intended for. Approximate assembly time: 30 minutes.
3. Please do not use any tools other than those provided or recommended in these instructions.
4. Please do not throw away any of the packaging or instructions until you have checked all the components and hardware and the furniture is fully assembled.
5. Assemble all components loosely until advised to tighten. Depending on use, it may be necessary to tighten the components from time to time, so please save the tools that have been provided.
6. Please keep all pieces out of reach of small children.

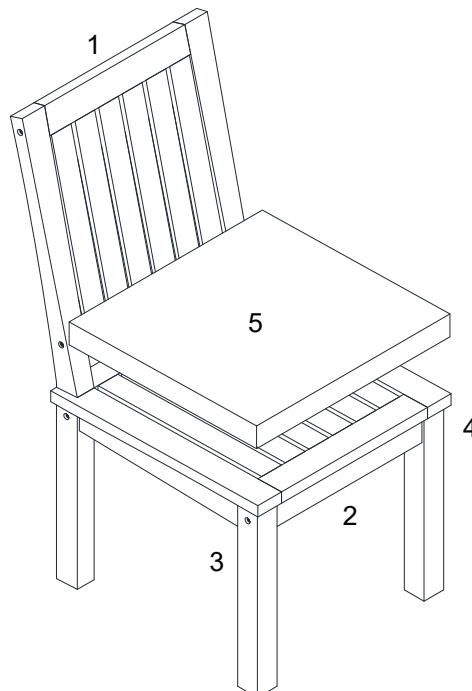


Hardware:

A  Long Bolt M6x60mm x 8

B  Allen Wrench M4 x 1

Component:



1 Chair Back x1

2 Chair Seat x1

3 Left Frame x1

4 Right Frame x1

5 Seat Cushion x1

DINING CHAIR

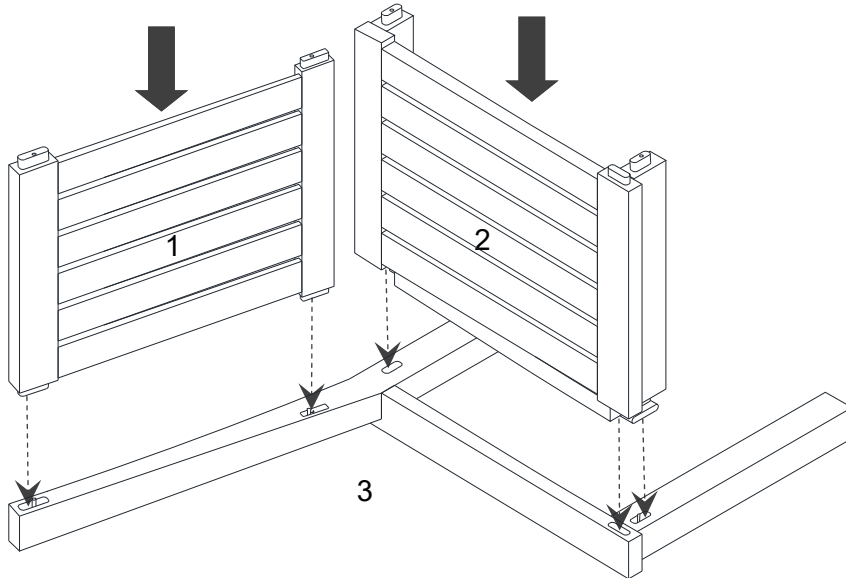
STEP 1:

Please put **Left Frame (3)** on a carpeted or padded area.

Position **Chair Back (1)** and **Chair Seat (2)** to **Left Frame (3)**.

Insert the tenon on **Chair Seat (2)** into the rabbet on **Left Frame (3)** at first.

Then insert the tenon on **Chair Back (1)** into the rabbet on **Left Frame (3)** as shown.

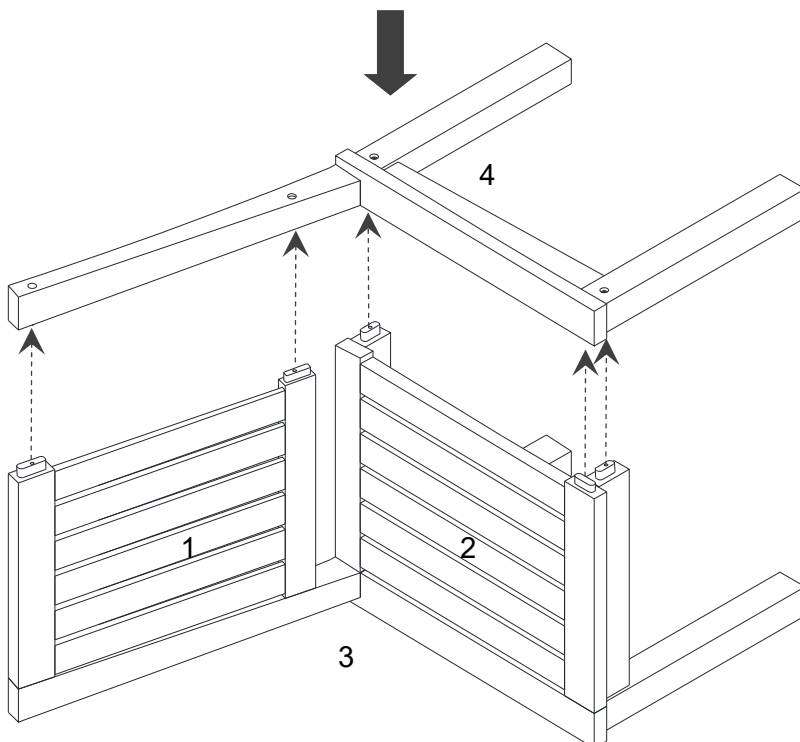


STEP 2:

Position **Right Frame (4)** to the assembled **Chair Back (1)**, **Chair Seat (2)** and **Left Frame (3)** as shown.

Insert the tenon on **Chair Seat (2)** into the rabbet on **Right Frame (4)**.

Insert the tenon on **Chair Back (1)** into the rabbet on **Right Frame (4)**.



DINING CHAIR

STEP 3:

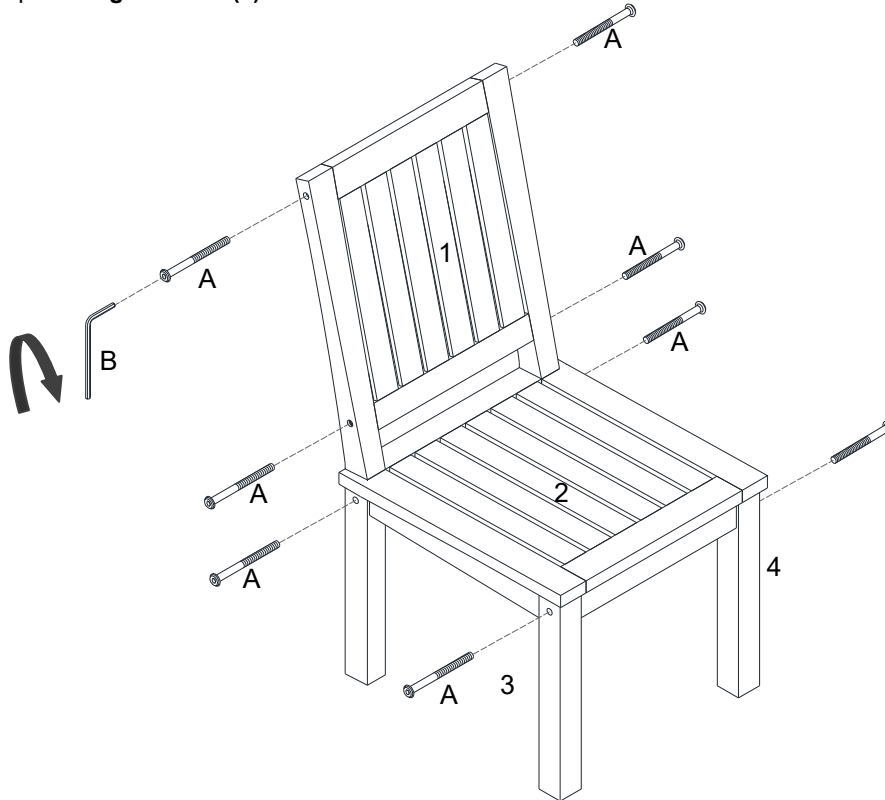
Carefully turn over the assembled **Chair Back (1)**, **Chair Seat (2)**, **Left Frame (3)** and **Right Frame (4)**.

Insert 2 pieces of **Bolt (A)** into the pre-drilled holes on **Chair Back (1)** through the top pre-drilled holes on **Left Frame (3)**.

Insert 2 pieces of **Bolt (A)** into the pre-drilled holes on **Chair Seat (2)** through the top pre-drilled holes on **Left Frame (3)**.

Use **Allen Wrench (B)** to tighten **Bolts (A)** clockwise until secure.

Repeat the same steps for **Right Frame (4)**.



Ax8	Bx1

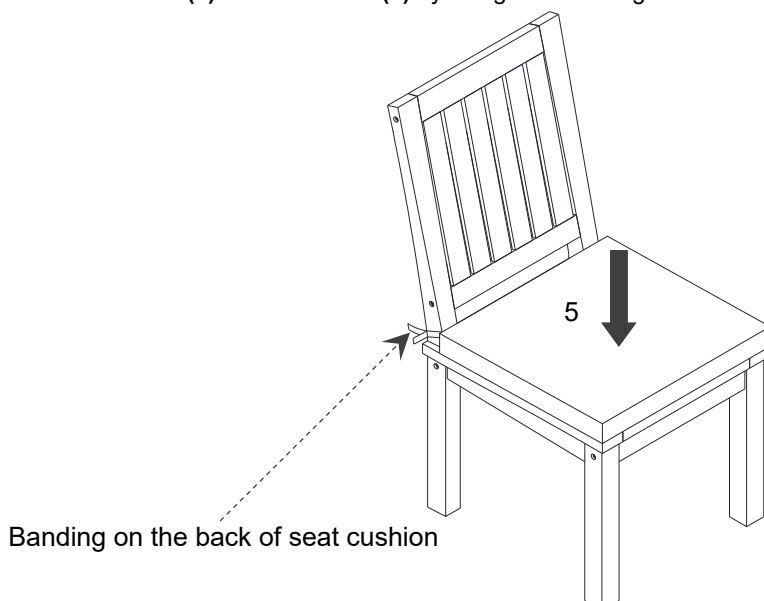
Hardware & Tool required

STEP 4:

Carefully position the assembled chair to the desired location.

Put **Seat Cushion (5)** into the assembled chair.

Tie **Seat Cushion (5)** to **Chair Back (1)** by using the banding on the back of **Seat Cushion (5)** as shown.



Assembly is complete. Your chair is ready to be used now!