

Installation Manual

SG33

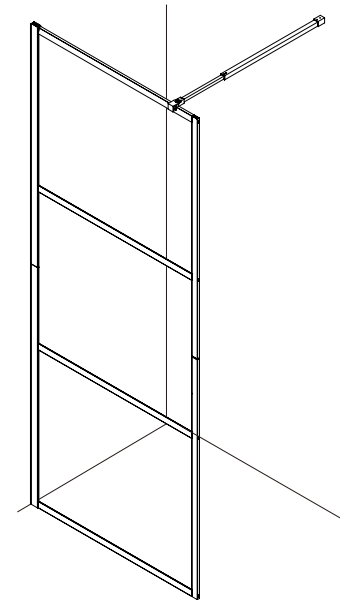
After-sale service:

Please check out each piece carefully in case there is any damage and contact us if you need to replace any parts.

Please keep the original packaging materials in case you need to return this item, return request might be refused or restocking fees might be charged if the original packaging materials are missing.

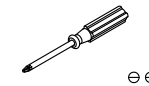
Thank you very much and hope you love our product. If you find any trouble during installation and using, please contact us directly for help.

For any question, please contact: info@royoltd.com

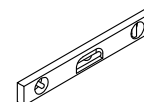
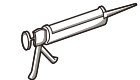
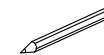


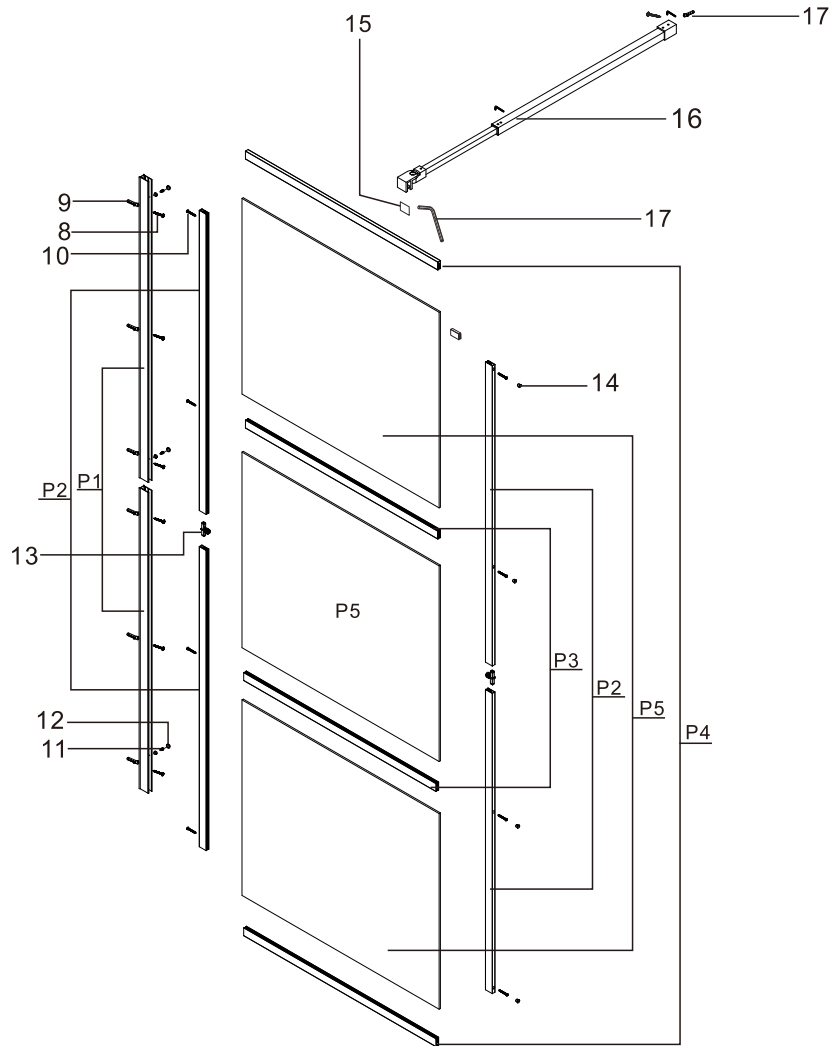
For installation instruction

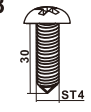

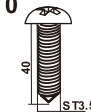


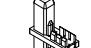


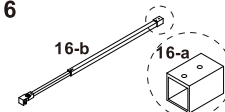

Pre-installation preparation



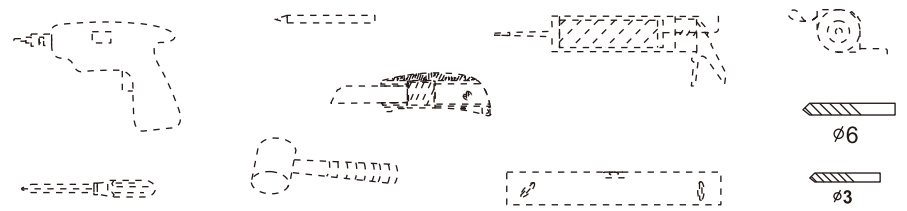
⊖ ⊕



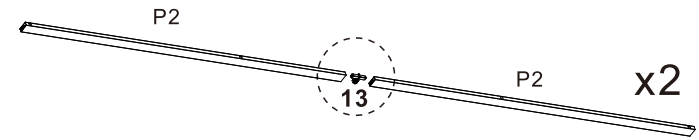


 8 ST4 x6	 9 x6	 10 ST3.5 x8	 11 ST4 x3	 12 x3	 13 x2	 14 x4
 15 x1	 16 16-b 16-a x1	 17 x1				

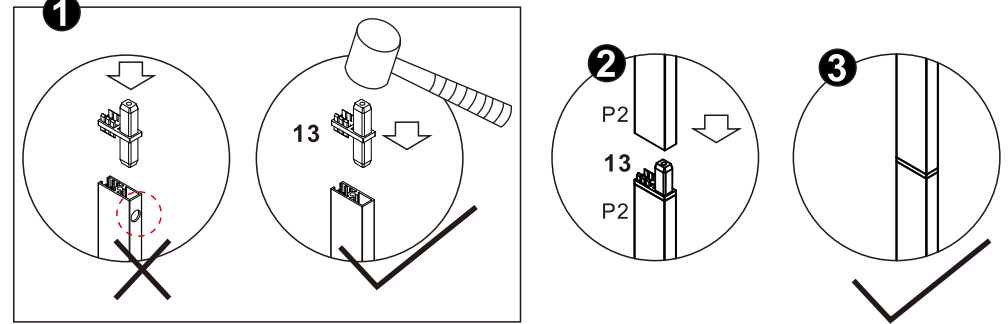
1



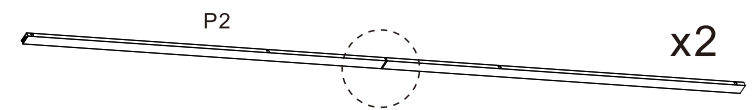
1



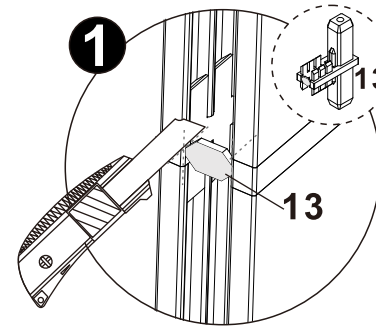
1



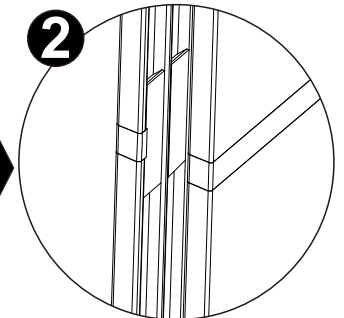
2



1



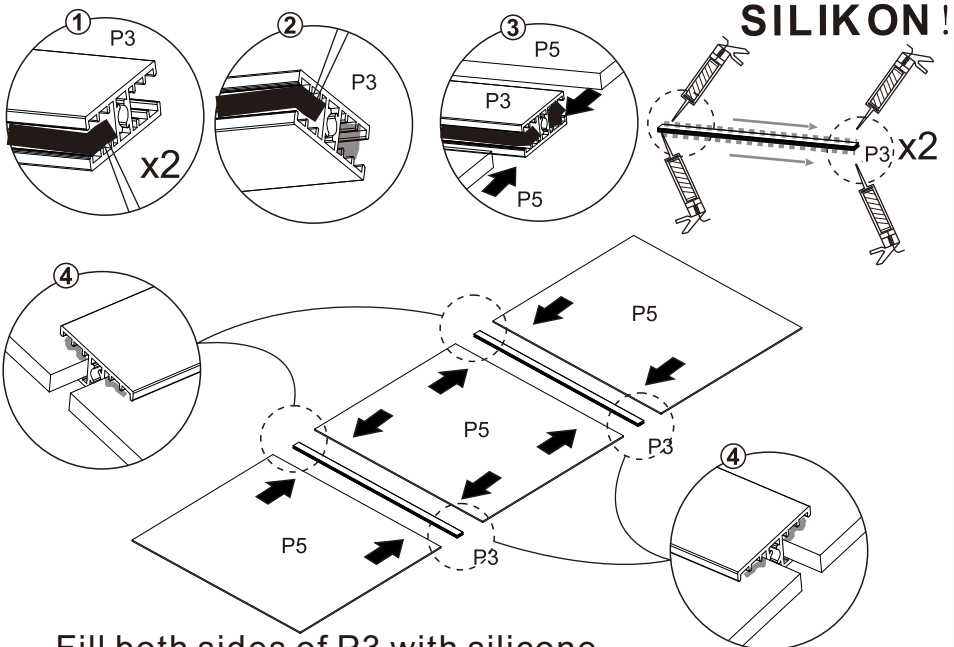
2



Cut the extra part of the #13 so that glass can be inserted into P2 later

2

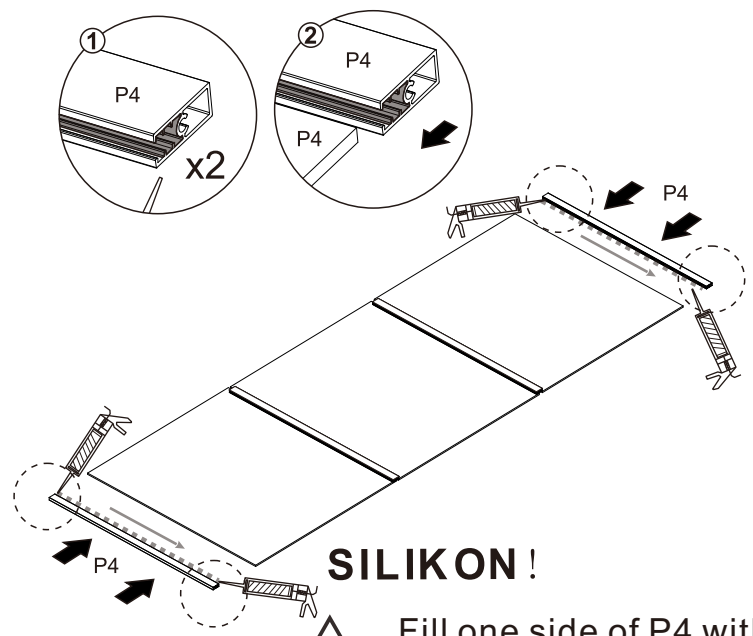
3



SILIKON!

! Fill both sides of P3 with silicone, then connect P5 and P3

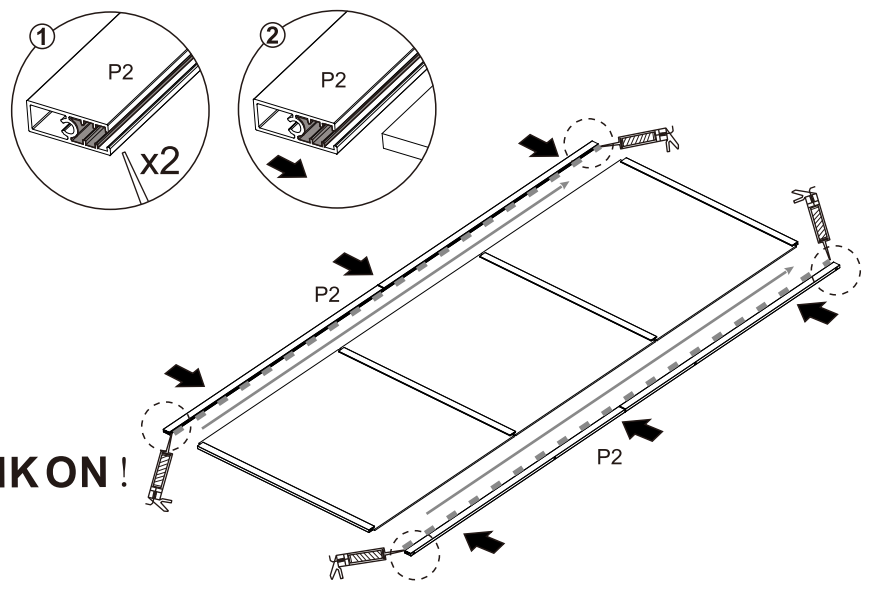
4



SILIKON!

! Fill one side of P4 with silicone, then connect

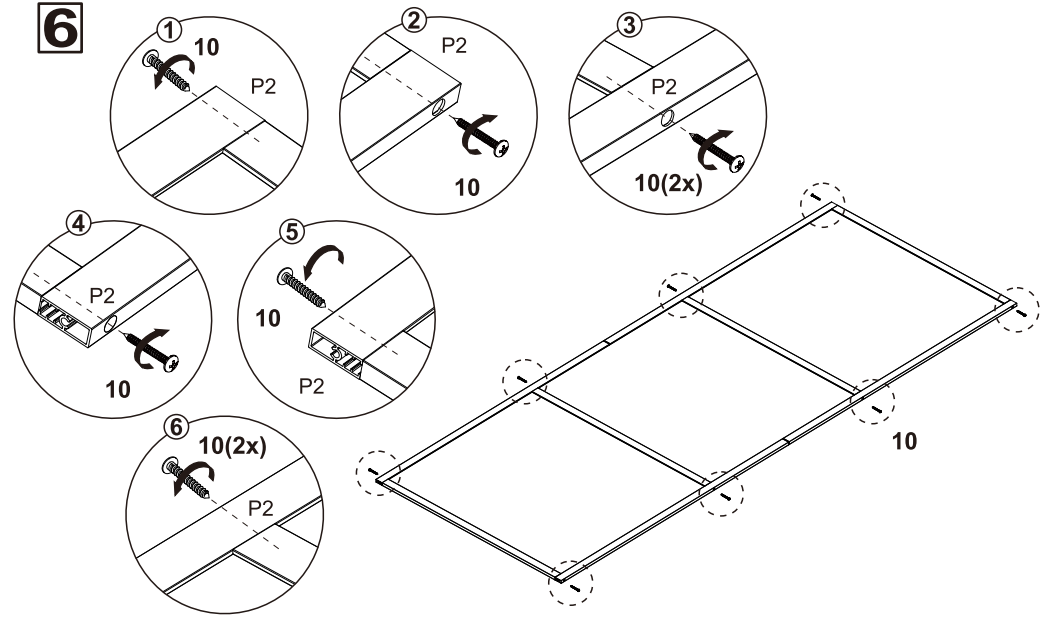
5



SILIKON!

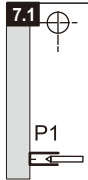
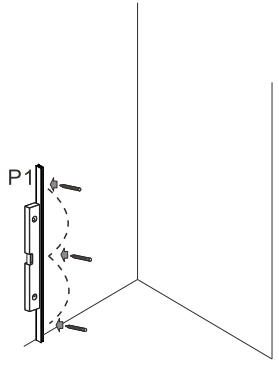
! Fill one side of P2 with silicone, then connect

6

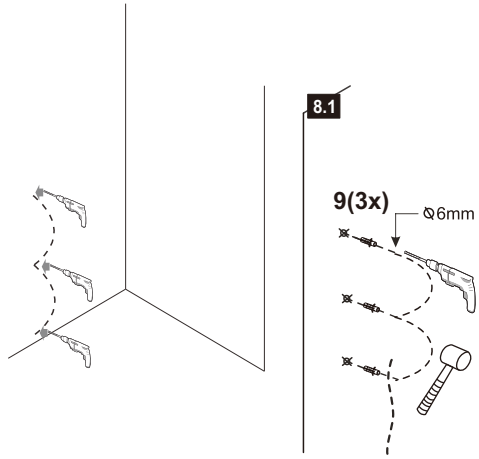


! The holes must be aligned and the screws must be drilled to the bottom

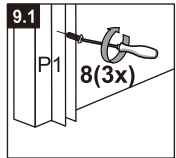
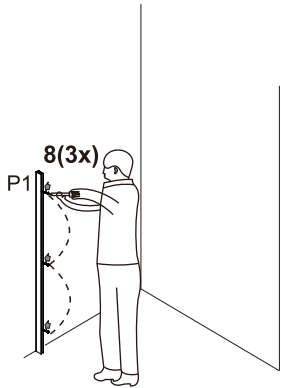
7



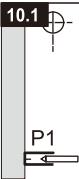
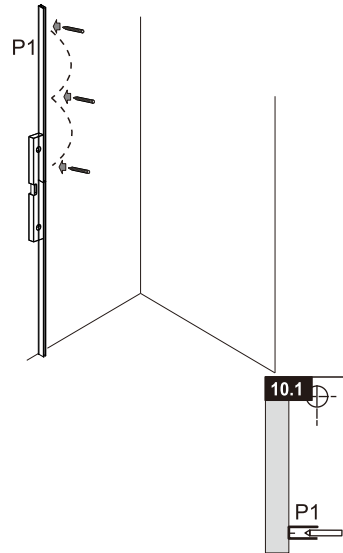
8



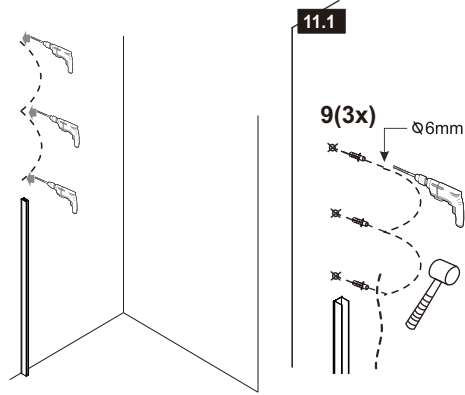
9



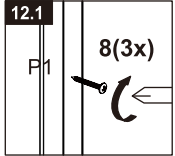
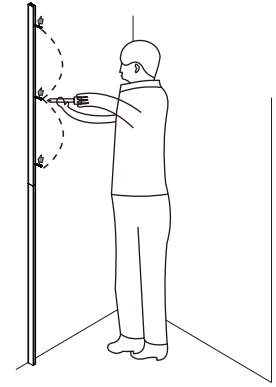
10



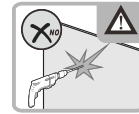
11



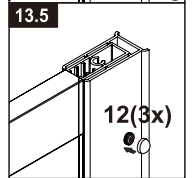
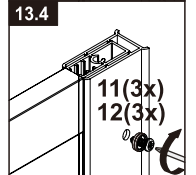
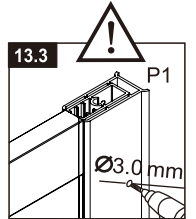
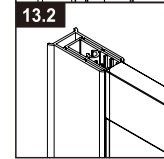
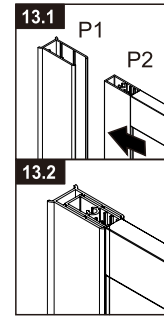
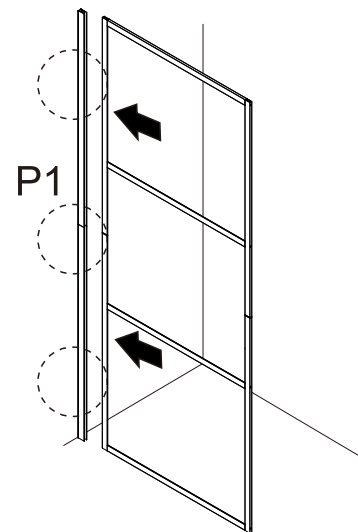
12



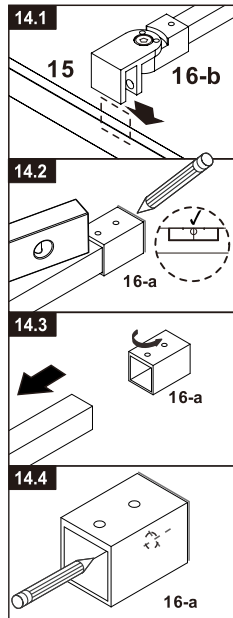
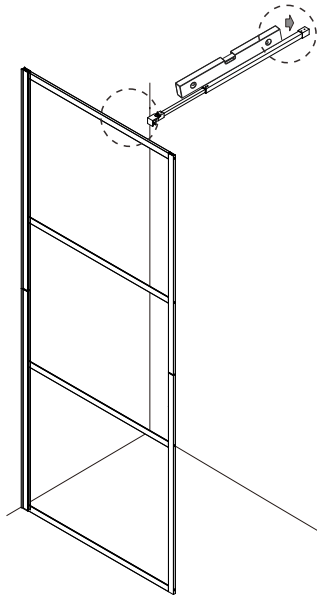
13



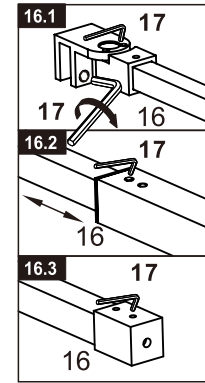
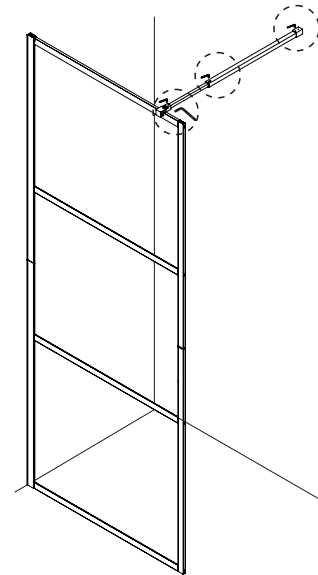
Be careful not to hit the glass when drilling



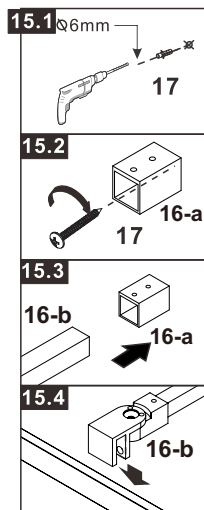
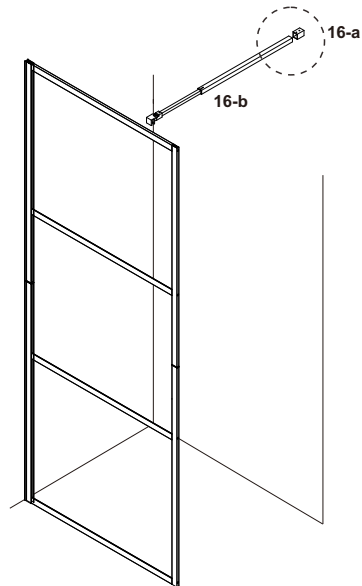
14



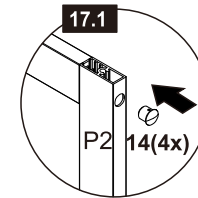
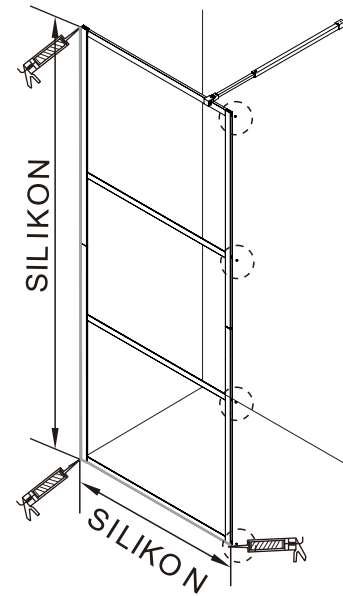
16



15



17



For more products,
visit our website above