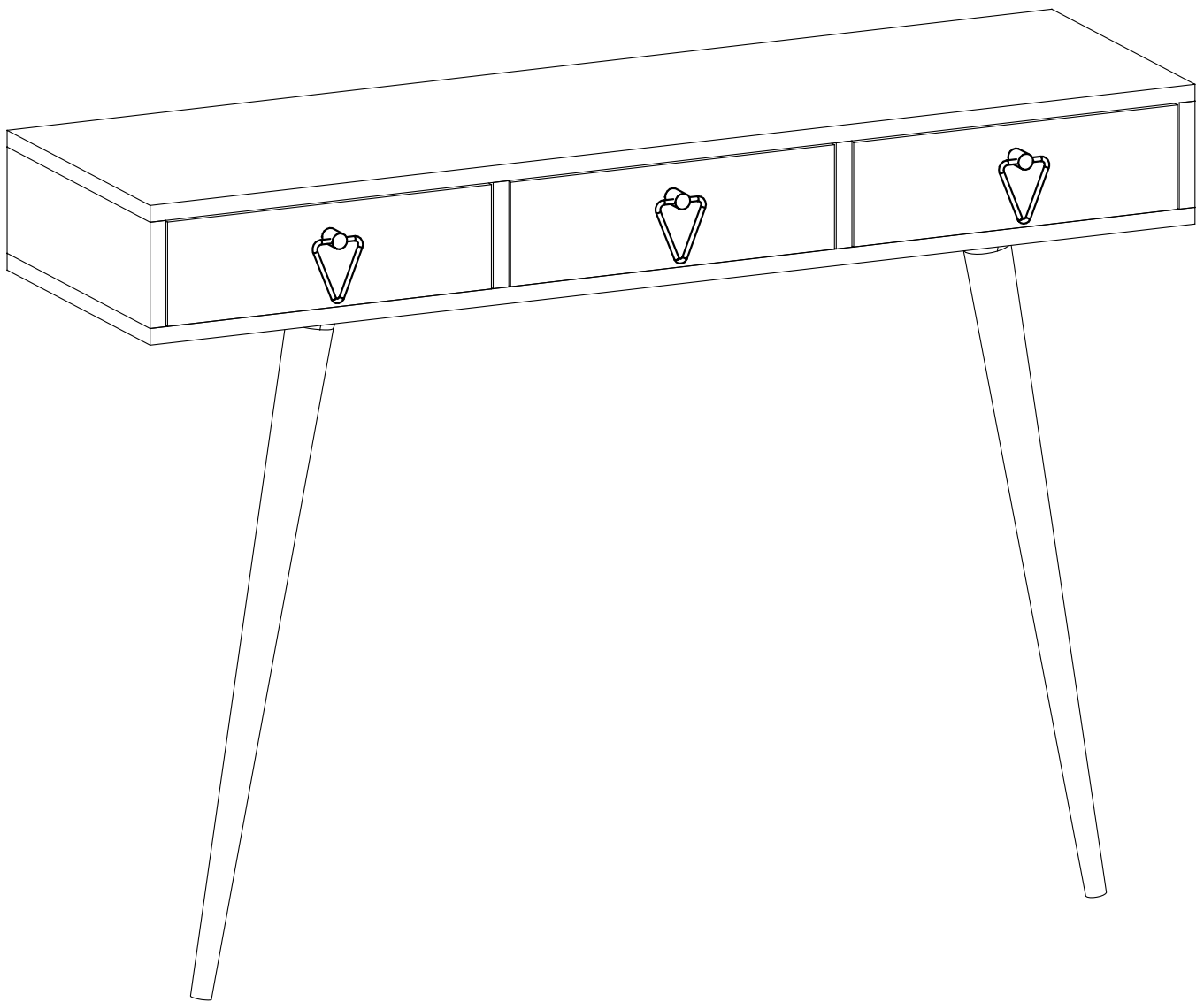


DRESUAR

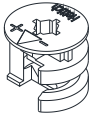
MONTAJ KLAVUZU / ASSEMBLY MANUAL



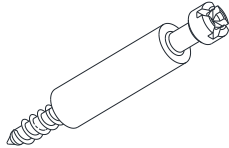
ATTENTION !!

Minifix is the main connection material used in products.
Before starting assembly, please check the drawings below...

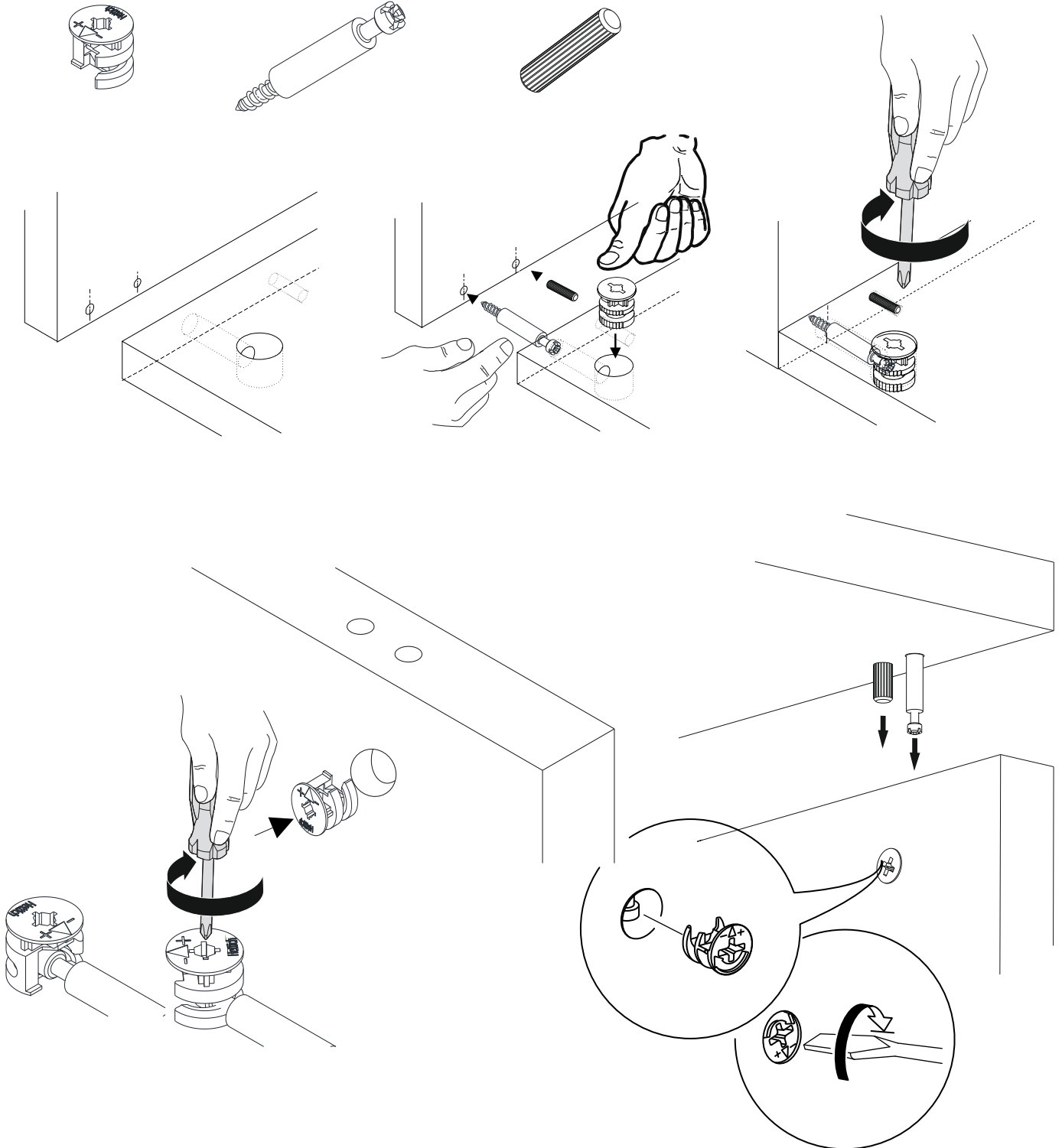
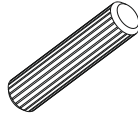
MINIFIX BODY

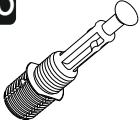
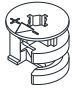
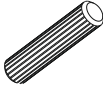
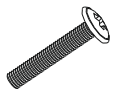
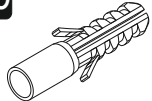
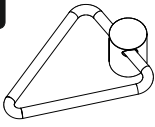

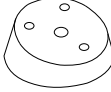
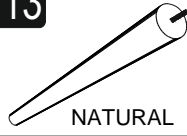
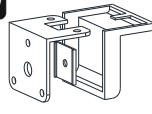


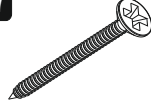


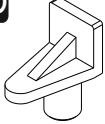


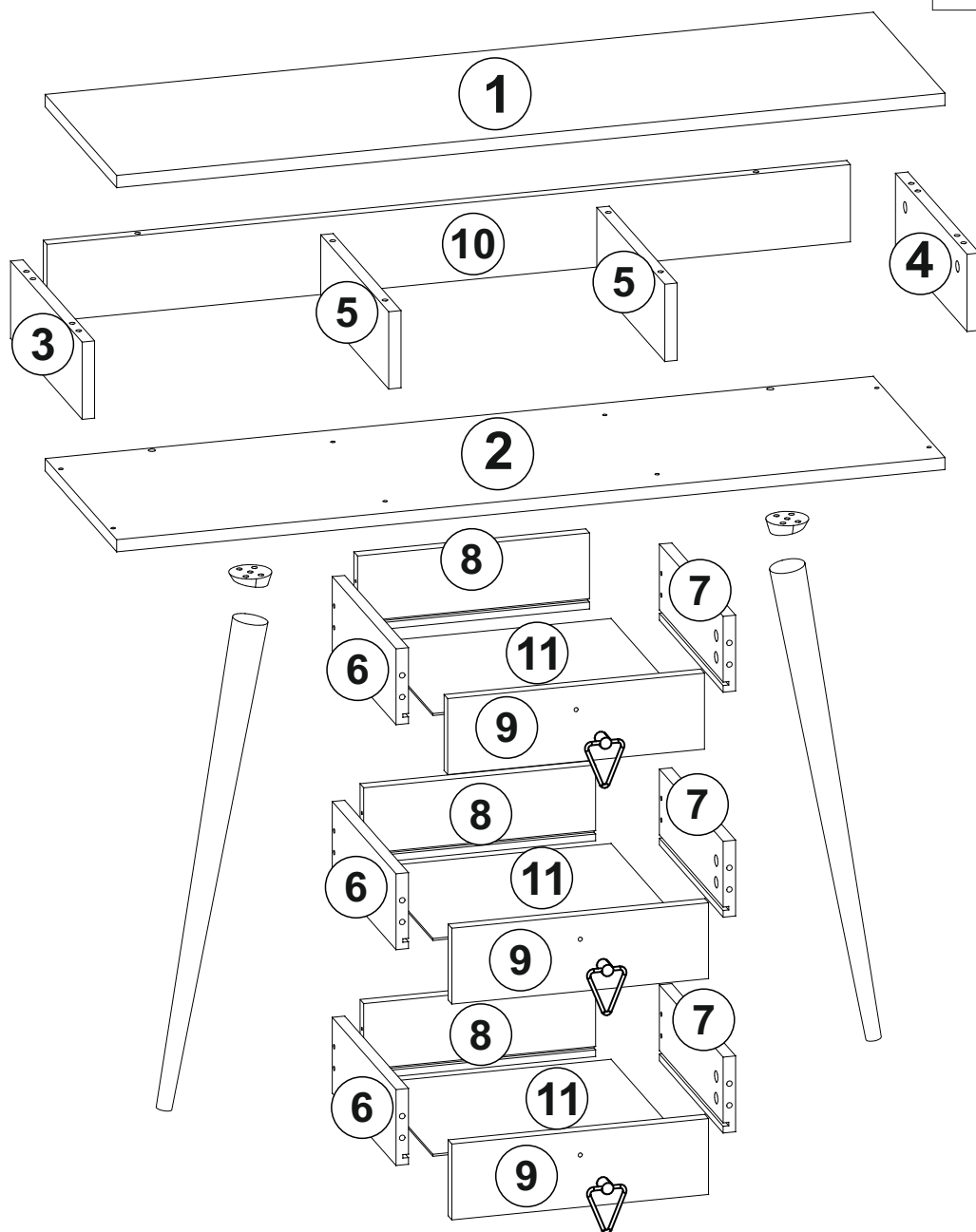
MINIFIX SHAFT

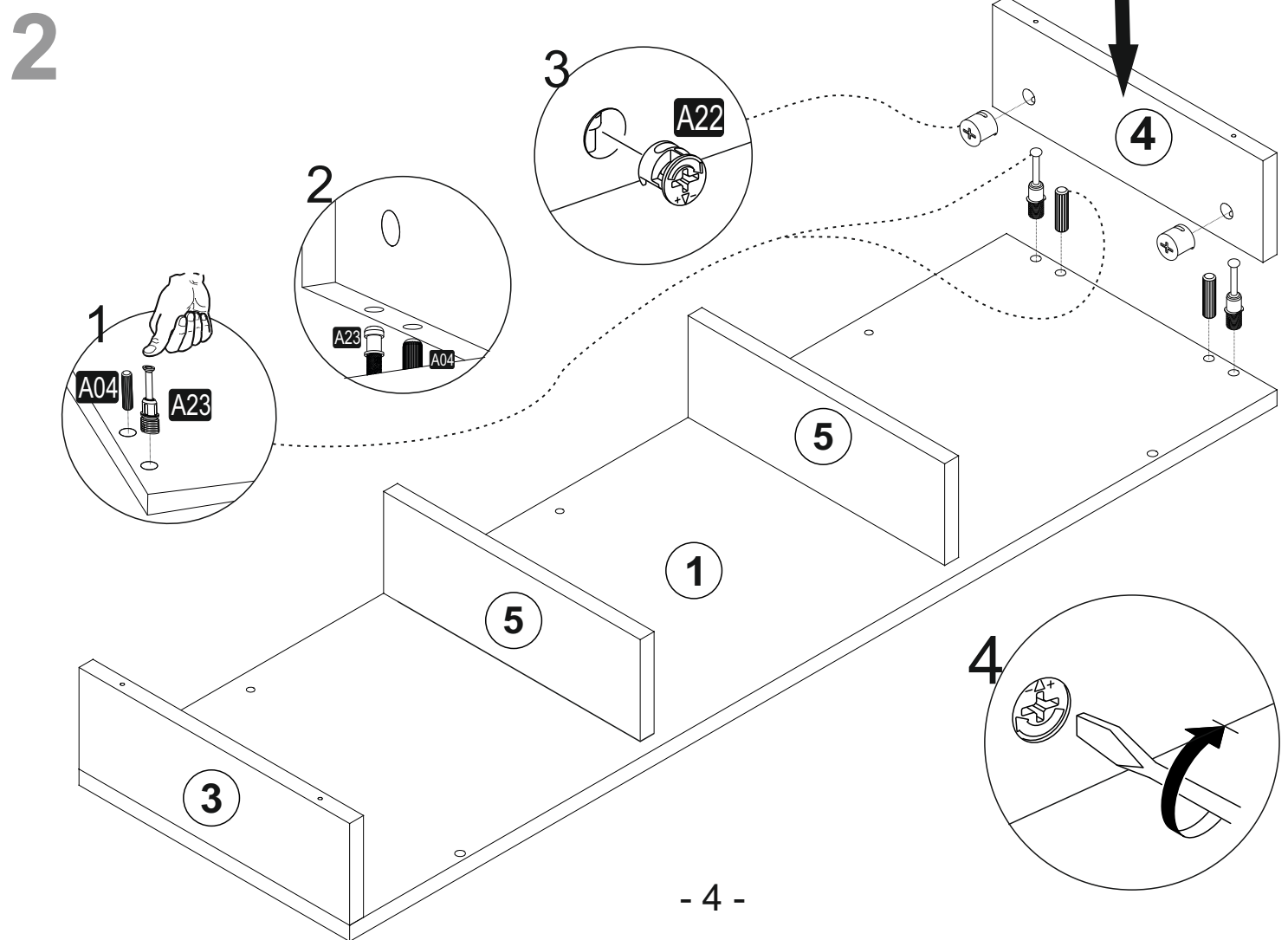
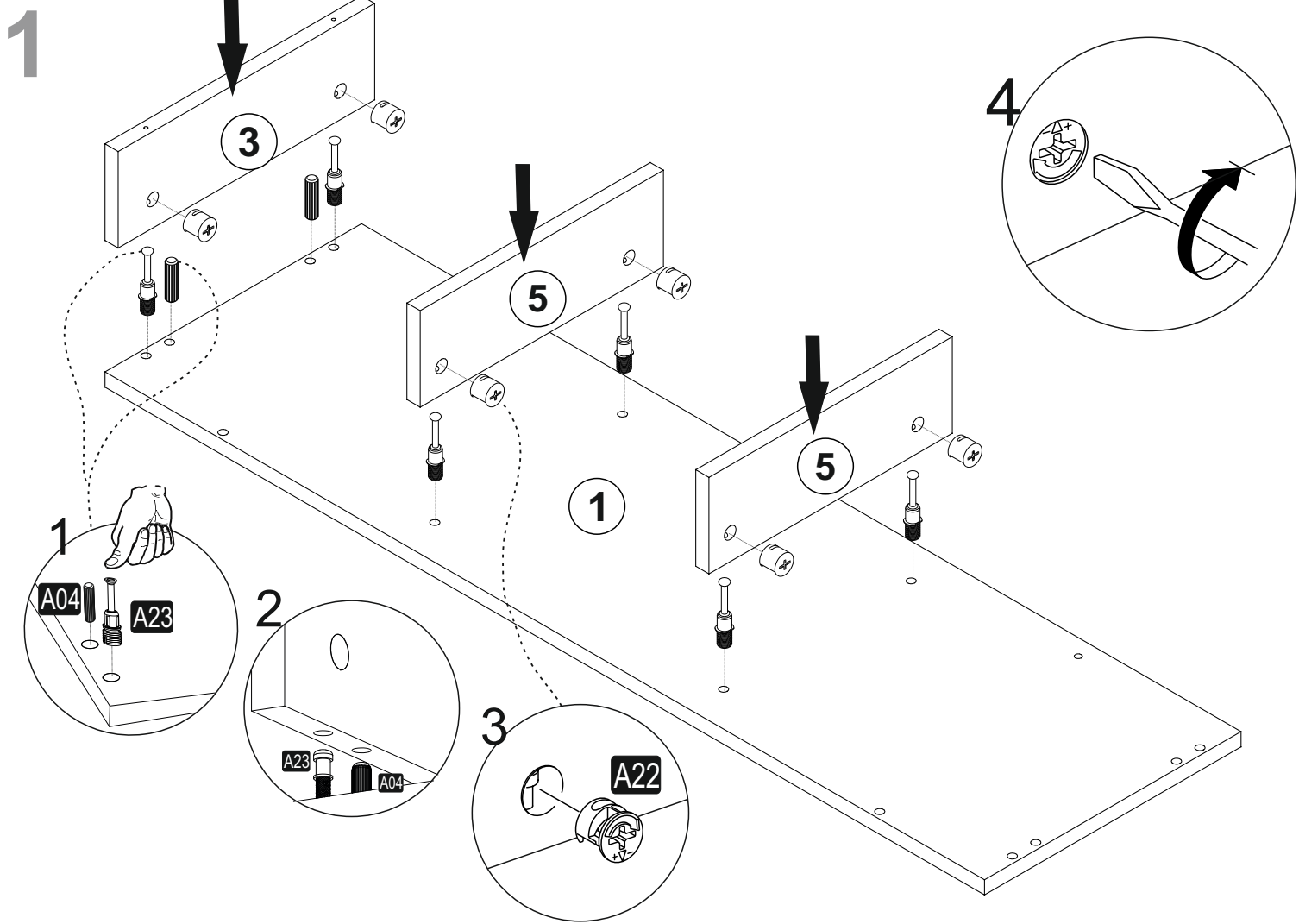


DOWEL

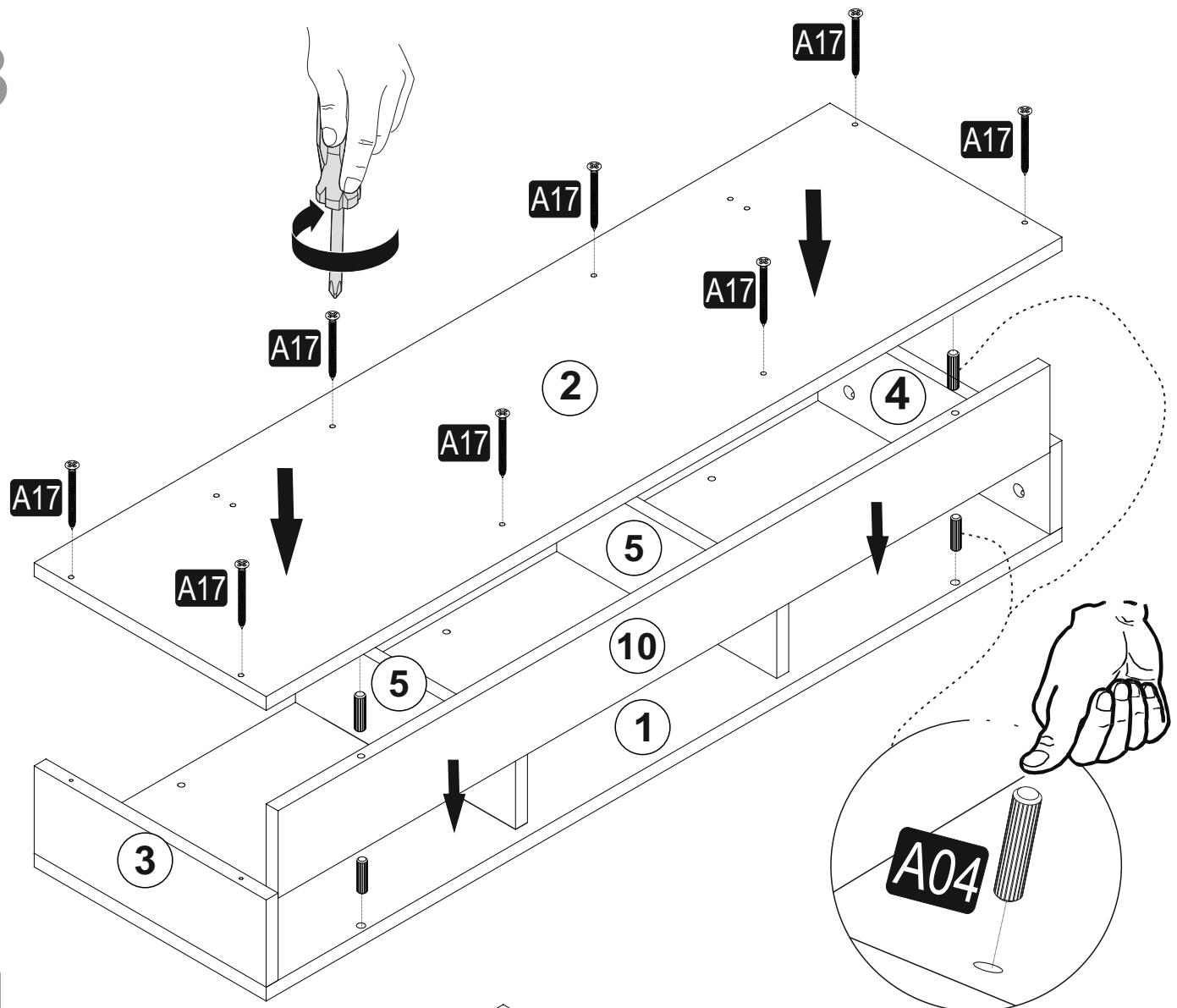


A23  20x	A22  15x14 20x	A04  8x30 8x	A49  20mm 3x	A16 DBL 8mm  2x
A47 ZİRVE KULP  GOLD 3x	A41 3,5x25  6x	V12  2x	V13 72 cm  NATURAL 2x	A35 -L-  2x
A06 18 mm  BYZ 20x	A10 14mm  BYZ 20x	A17 4x50  20x	A42 5x70  2x	A18 3,5x18  4x
				A25 RP  3x

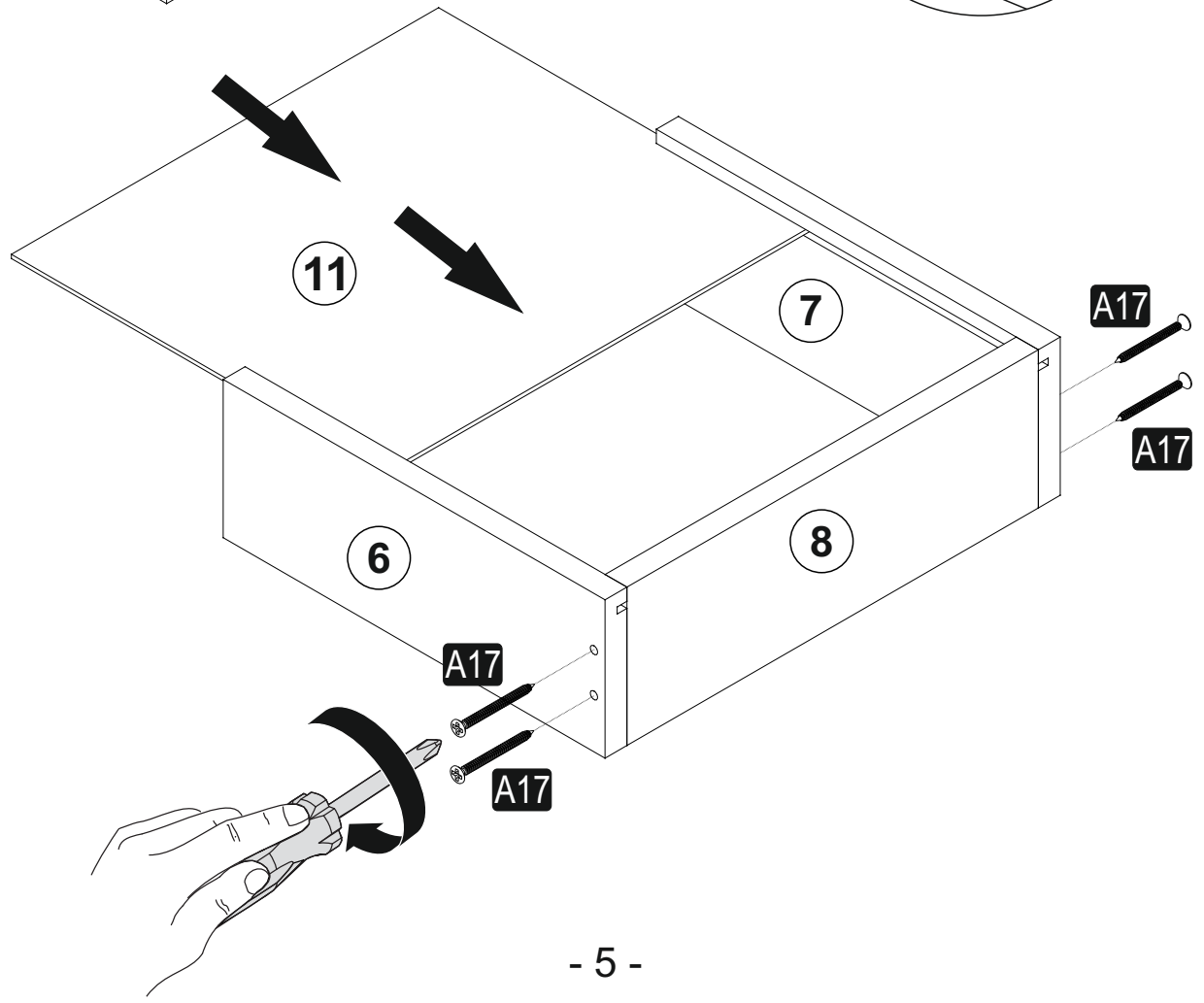




3

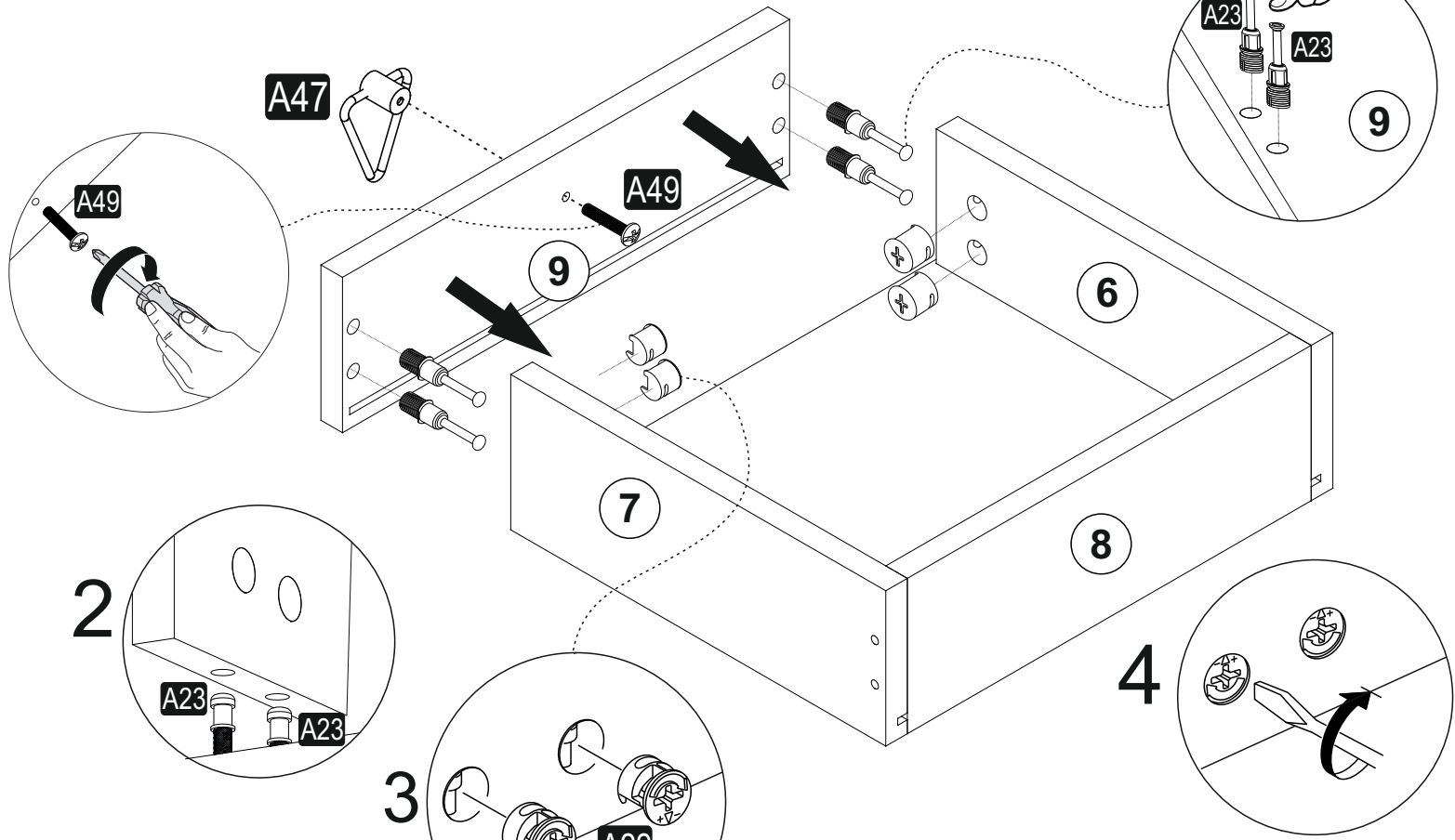


4



5

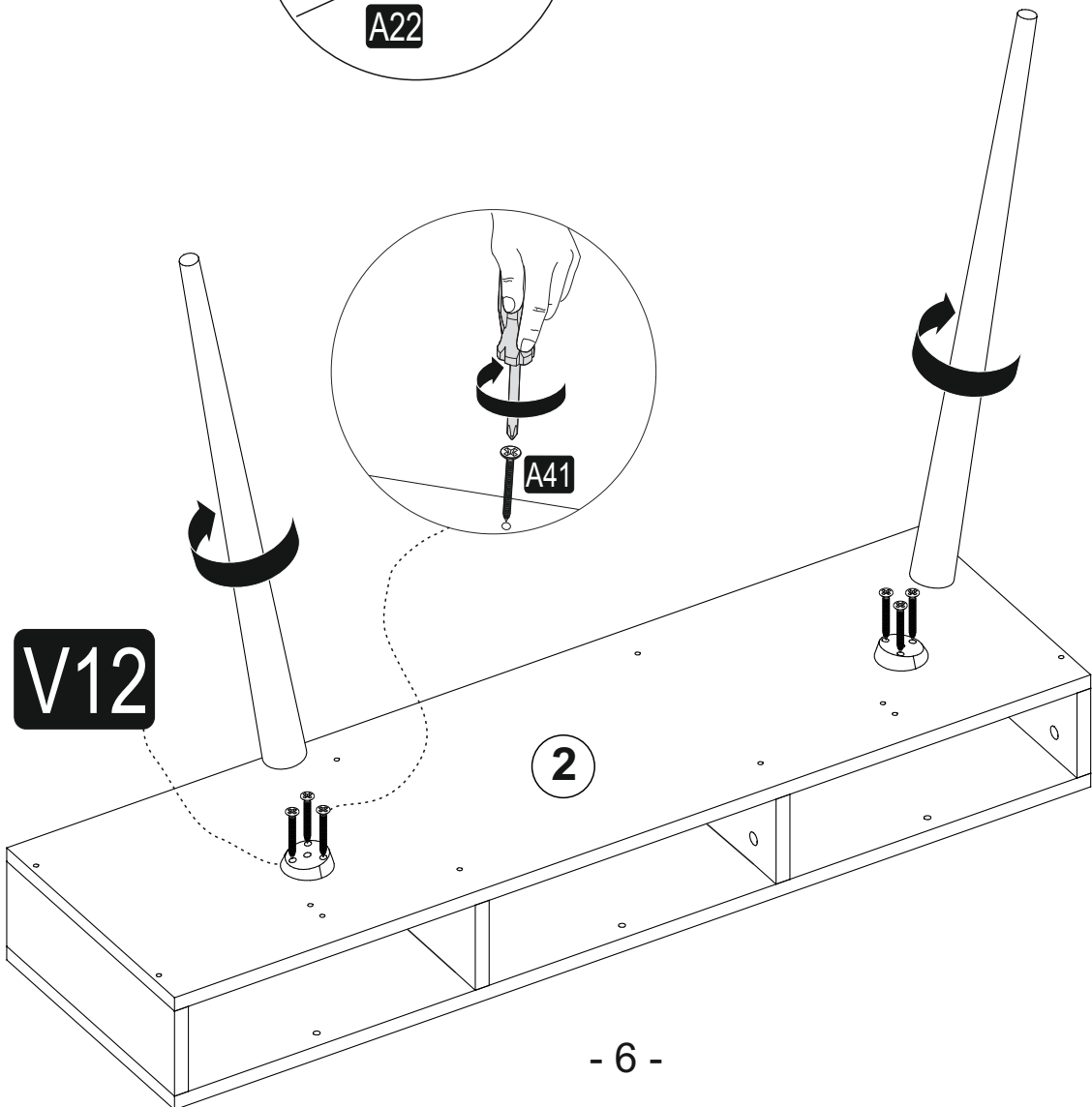
1



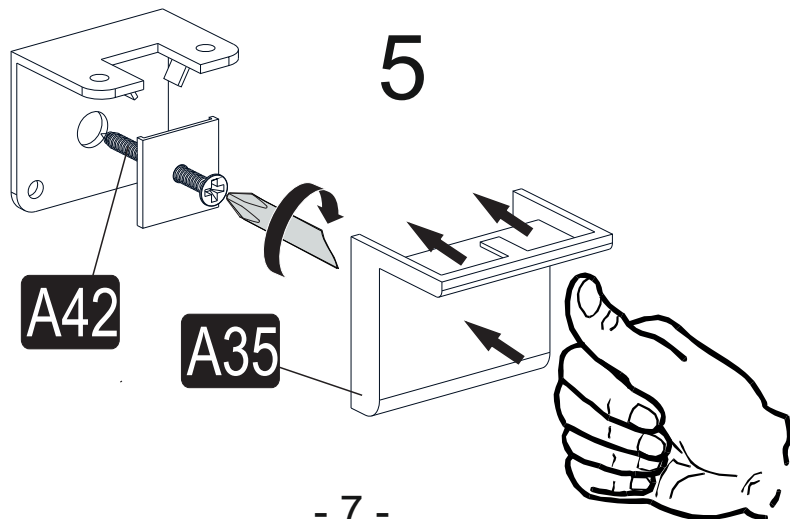
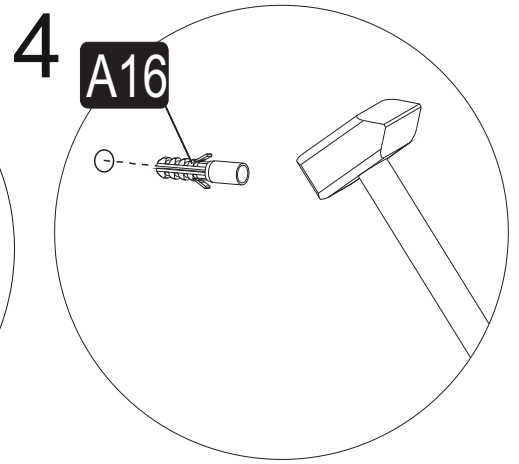
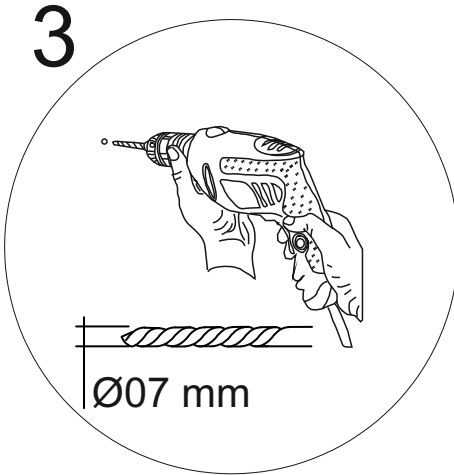
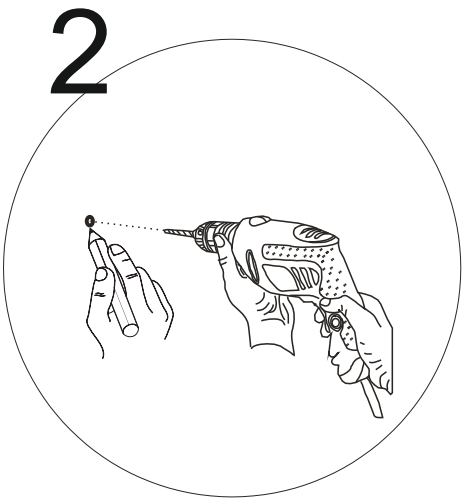
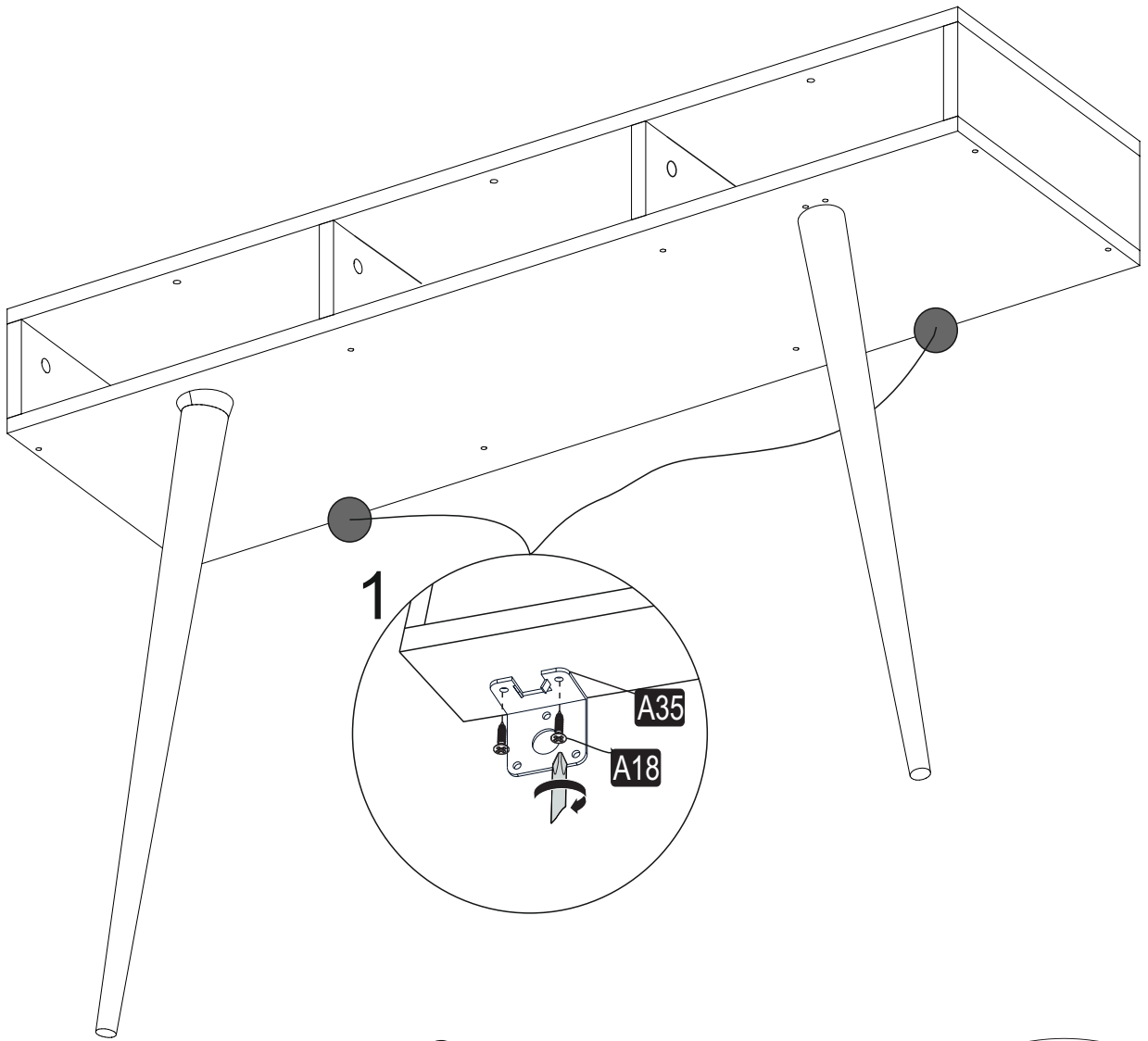
2

4

6



7



8

