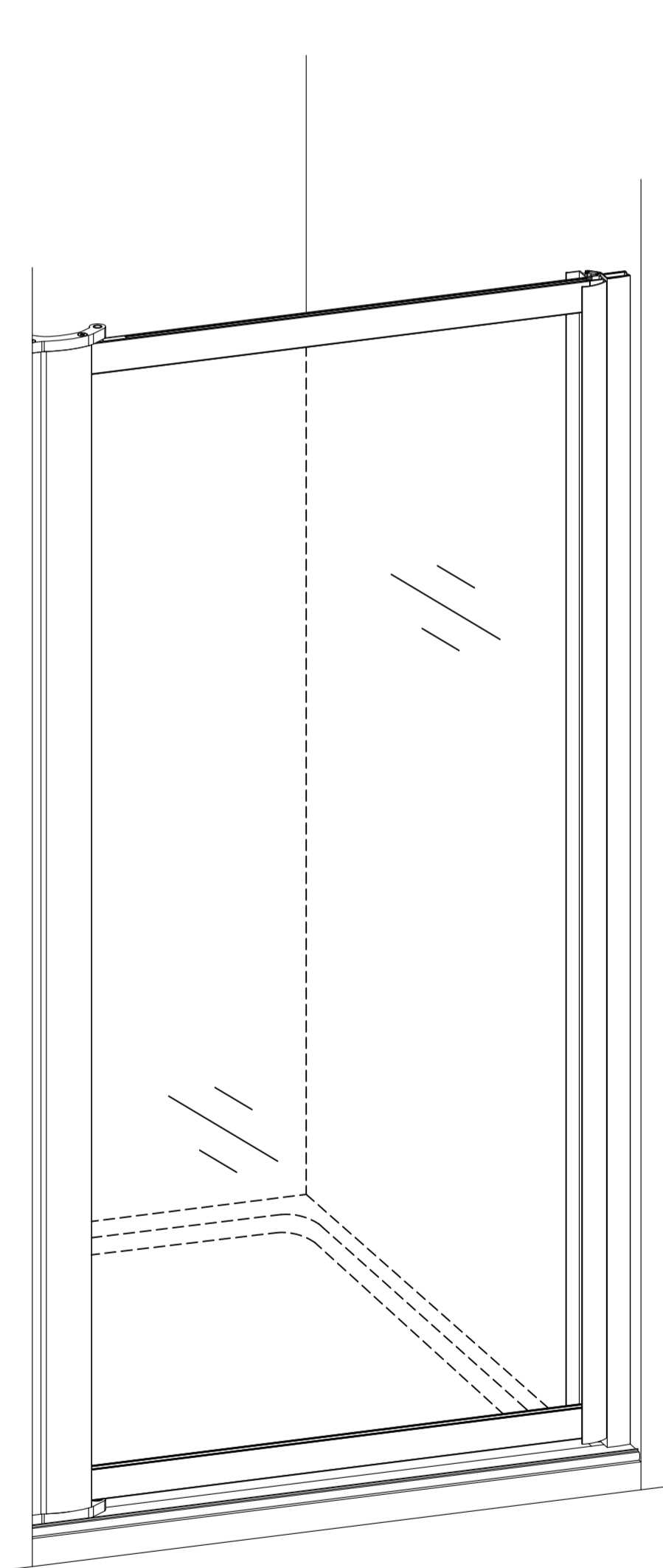
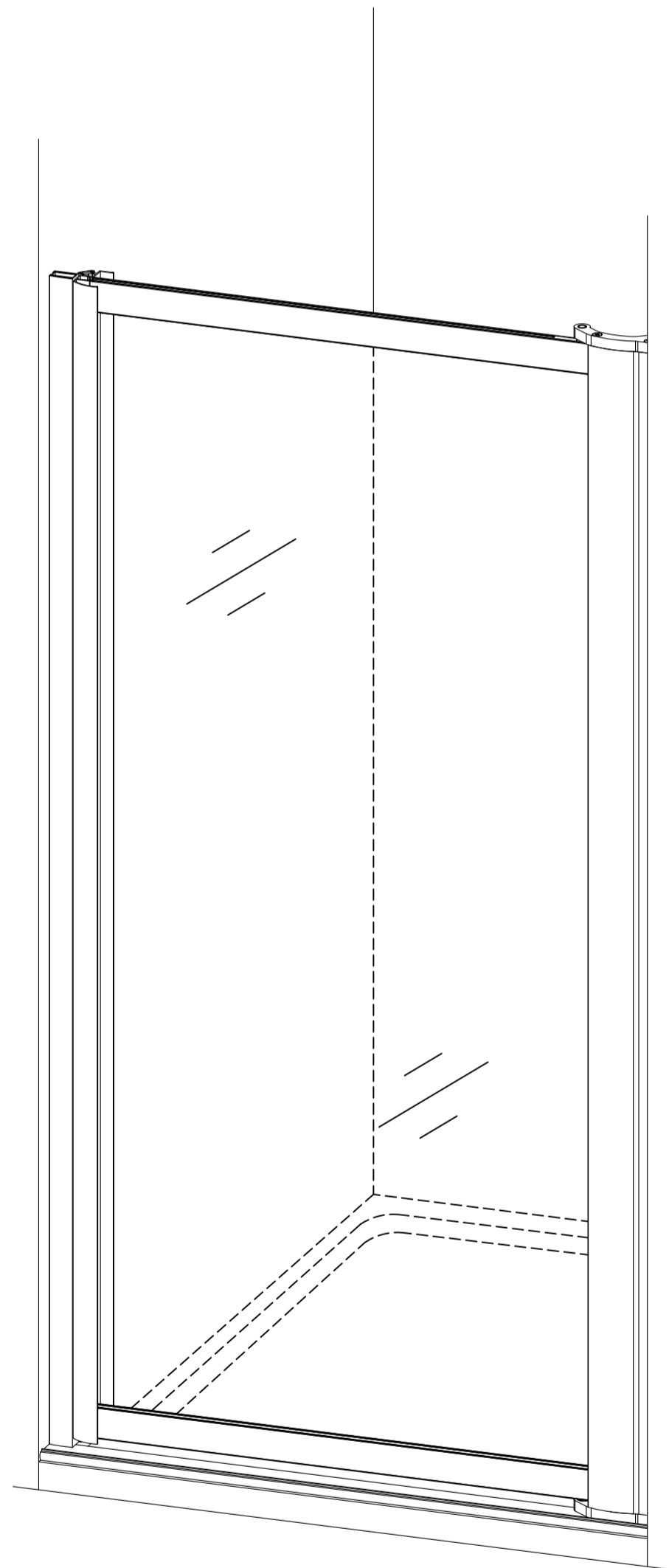


READ THE INSTRUCTIONS CAREFULLY, familiarize yourself with all the parts as shown in the exploded view. The exploded view will also provide a helpful reference when relating to the location of the various parts and how they are mounted.

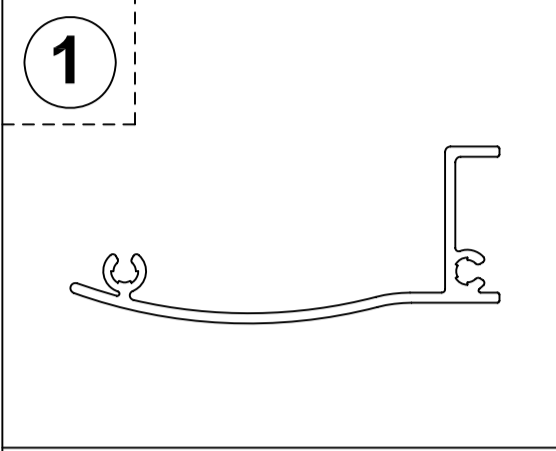
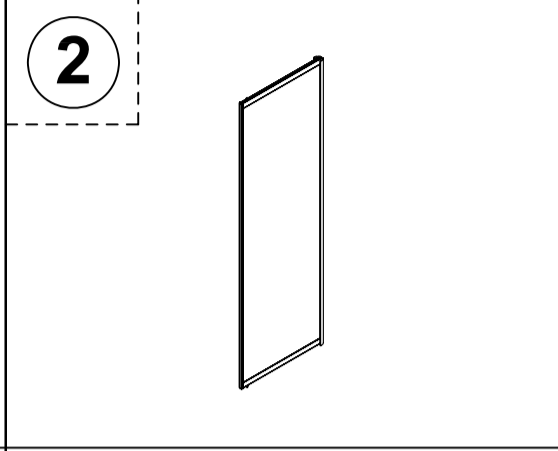
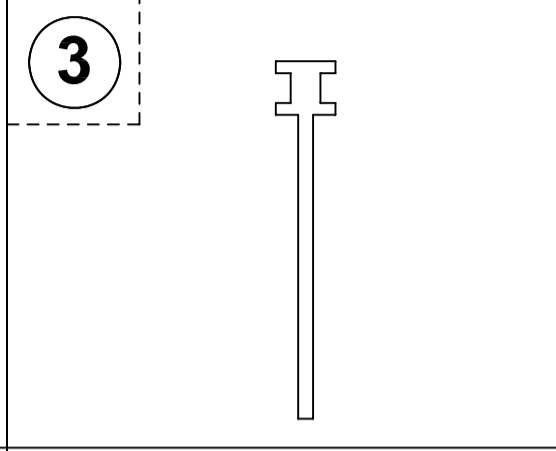
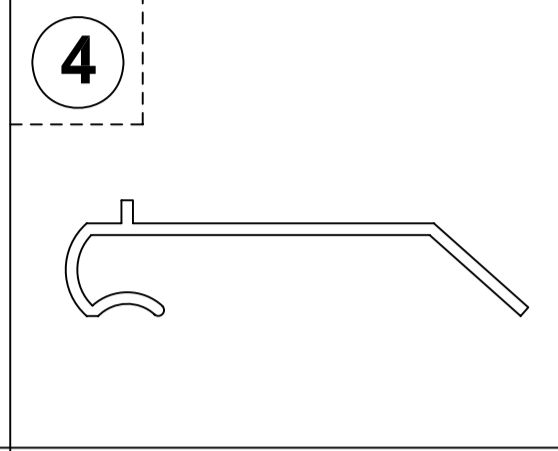
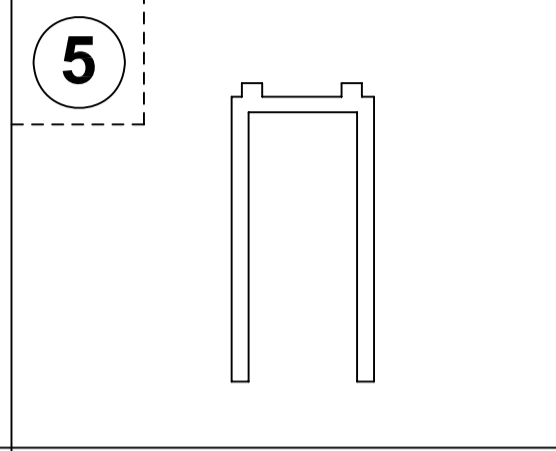
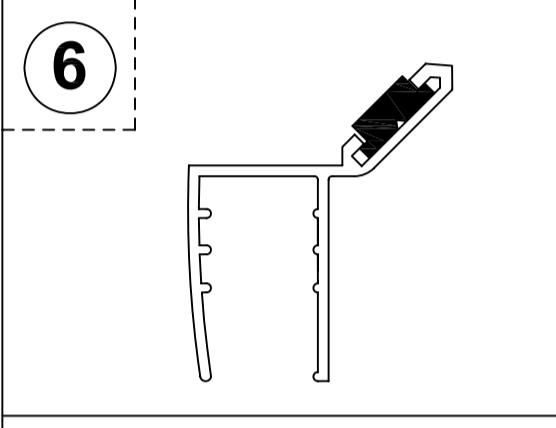
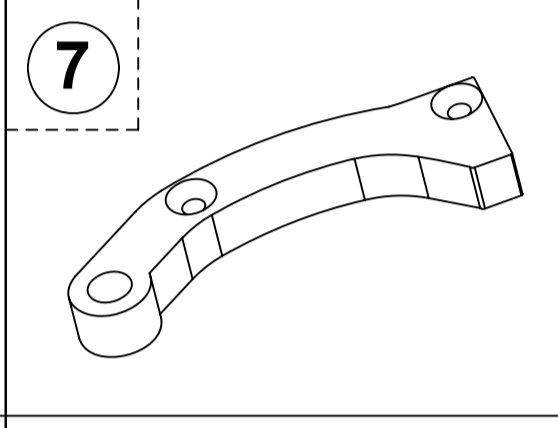
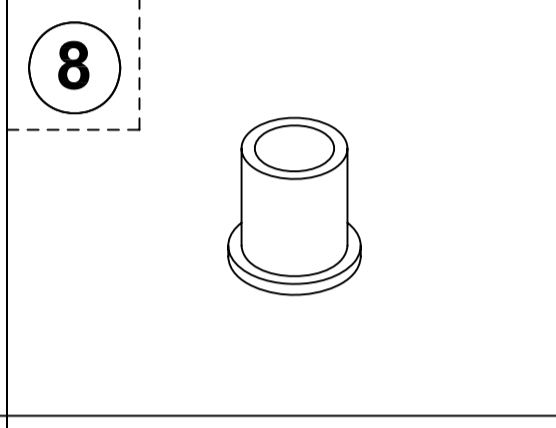
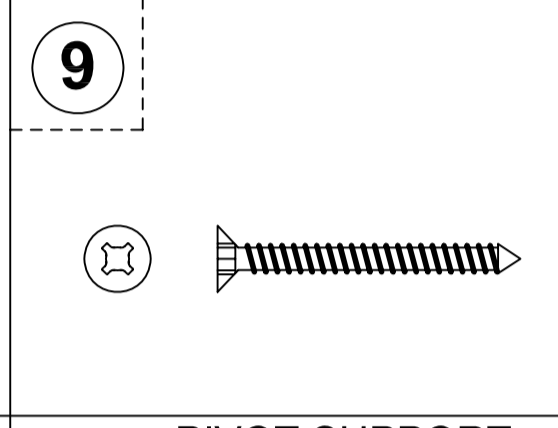

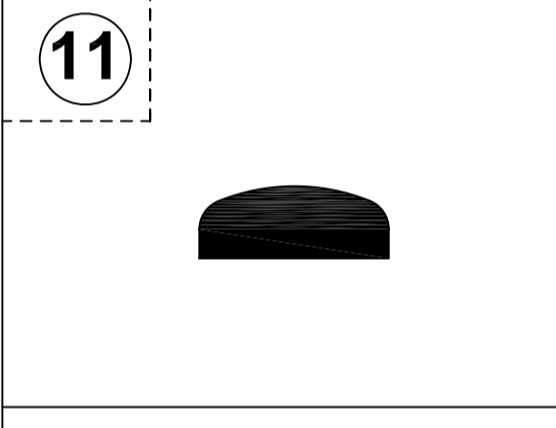
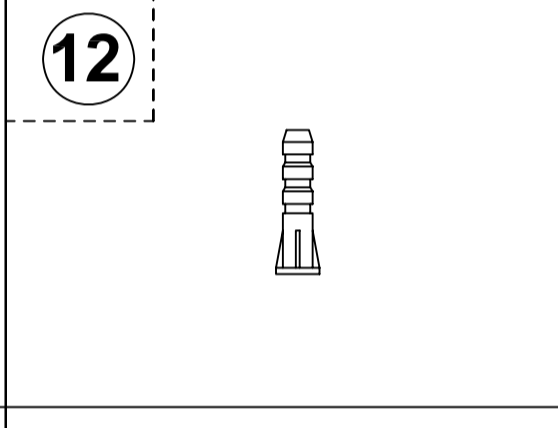
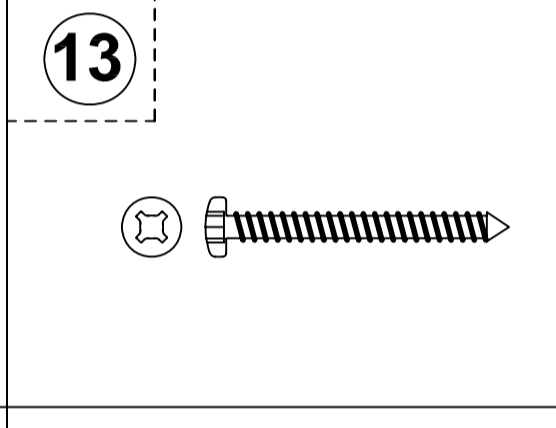


Left Pivot Install



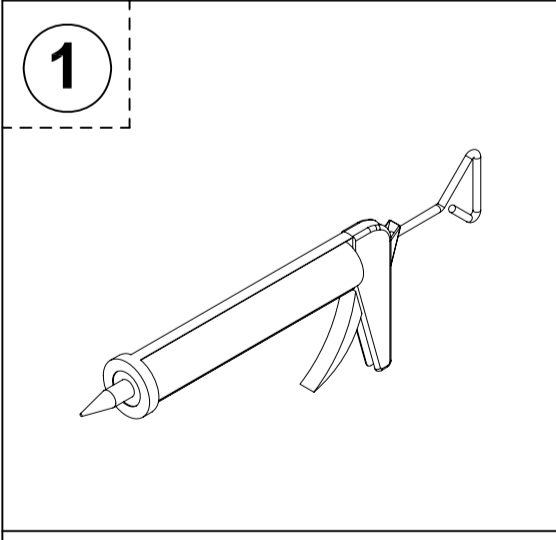
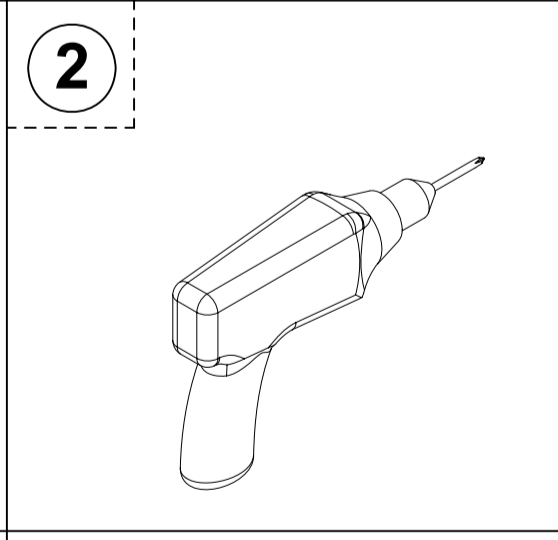
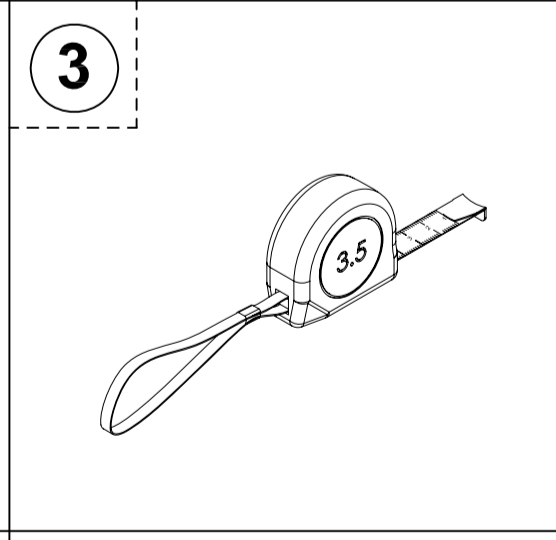
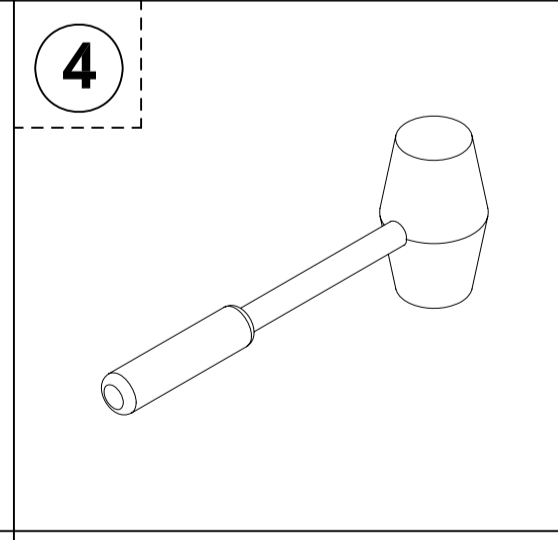
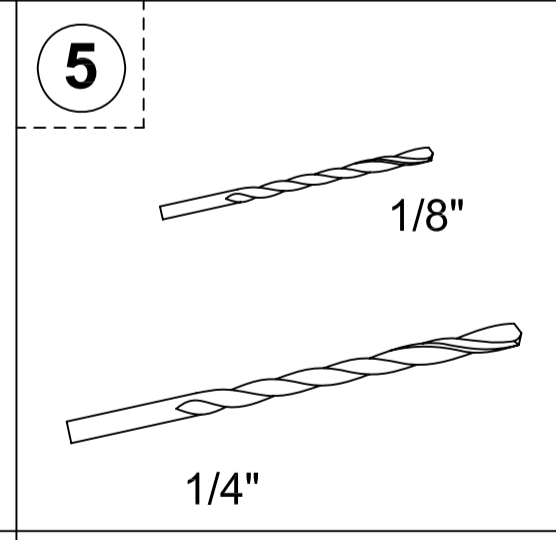
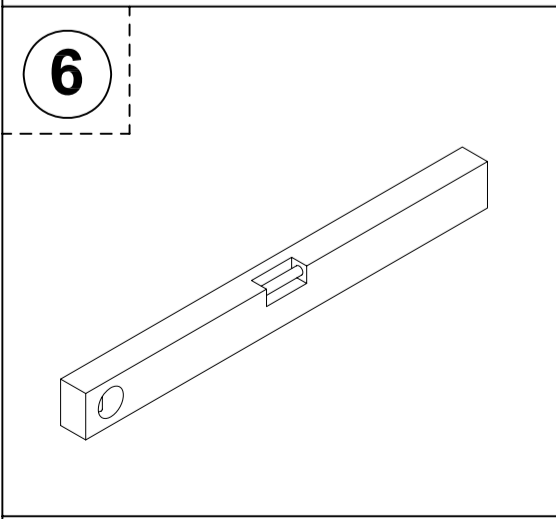
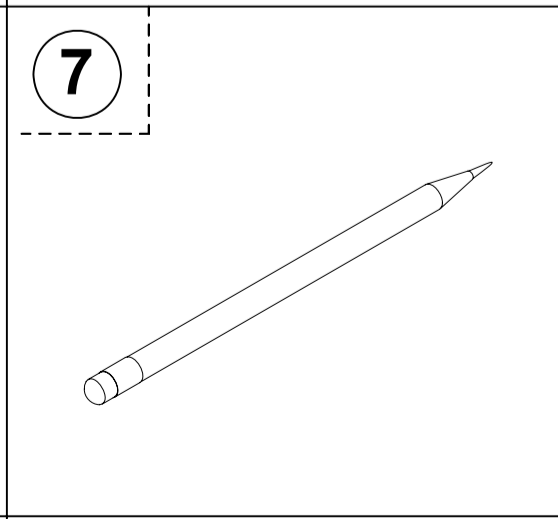
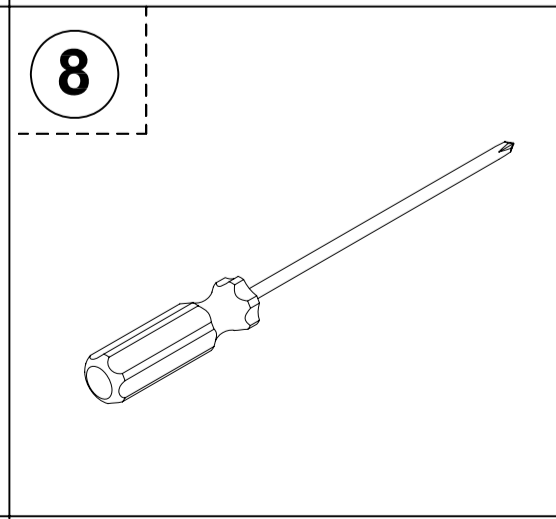
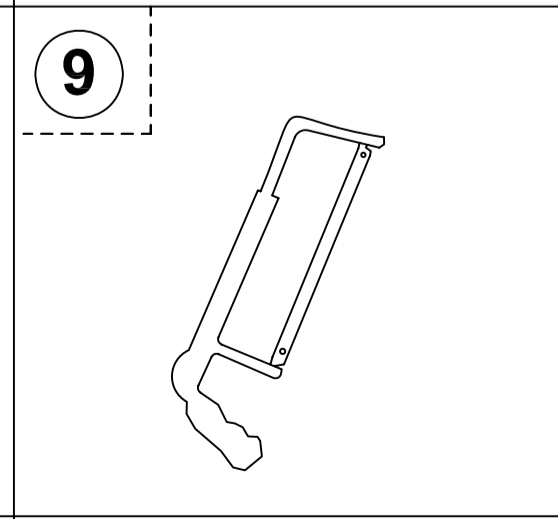
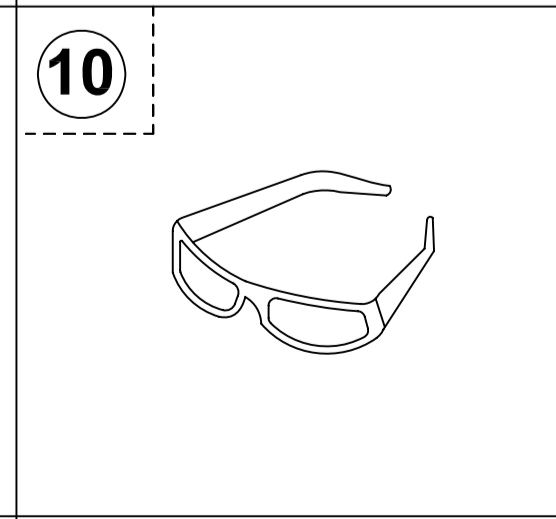
Right Pivot Install

PARTS LIST.

				
PIVOT JAMB (1 pcs)	DOOR PANEL (1 pcs)	VINYL SWEEP (1 pcs)	THRESHOLD (1 pcs)	WALL JAMB (1 pcs)
				
MAGNETIC JAMB (1 PCS)	PIVOT BRACKET ARM (2 PCS)	PIVOT BUSHING (2 pcs)	1 3/8" PIVOT SUPPORT SCREW (4 pcs)	3/8" SCREW (3 pcs)
				
SCREW CAP (7 pcs)	WALL PLUG (8 pcs)	1 1/2" SCREW (8 pcs)		

WARNING: Safety glasses should always be worn when working with tempered glass

Recommended TOOLS

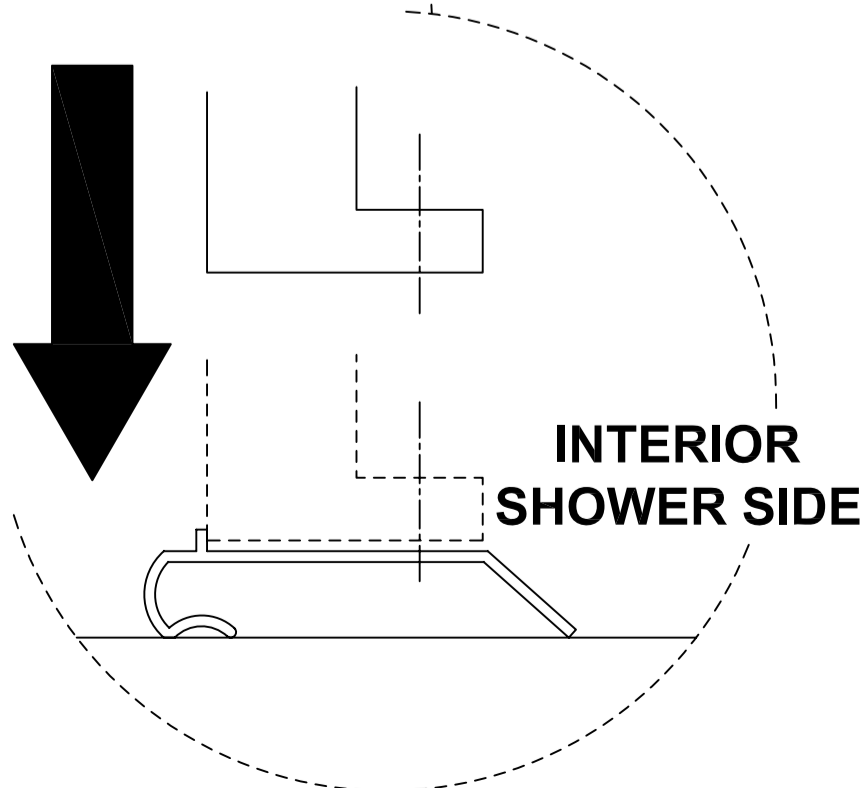
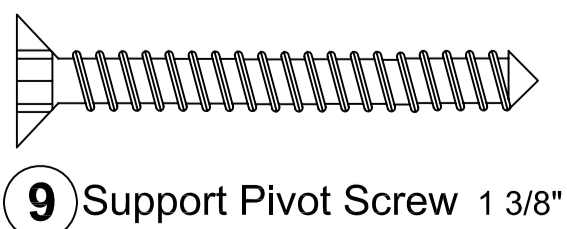
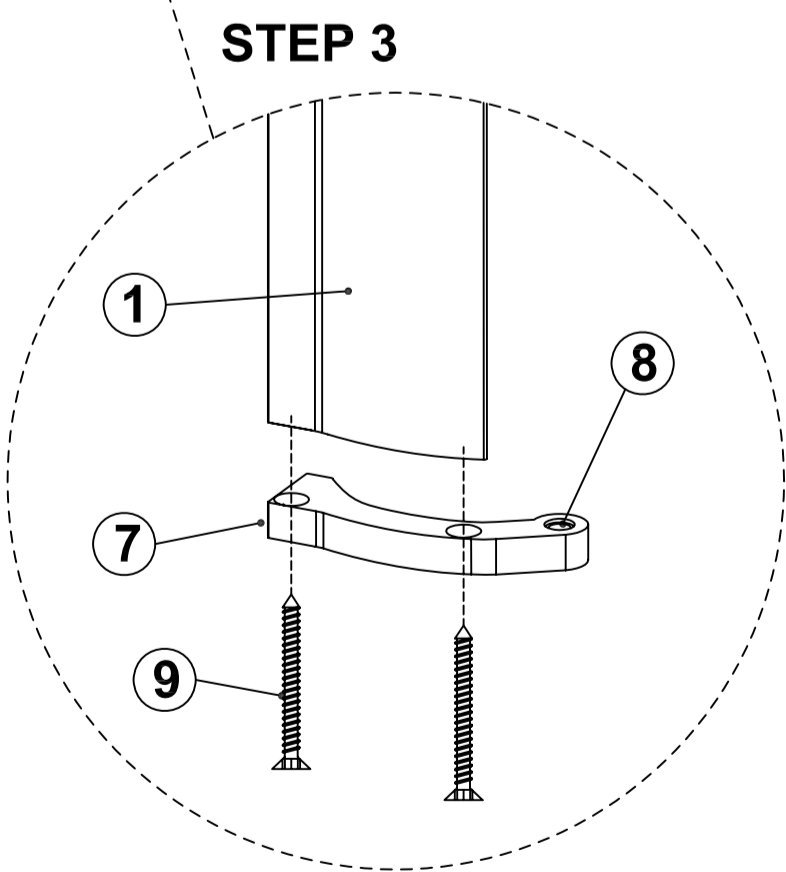
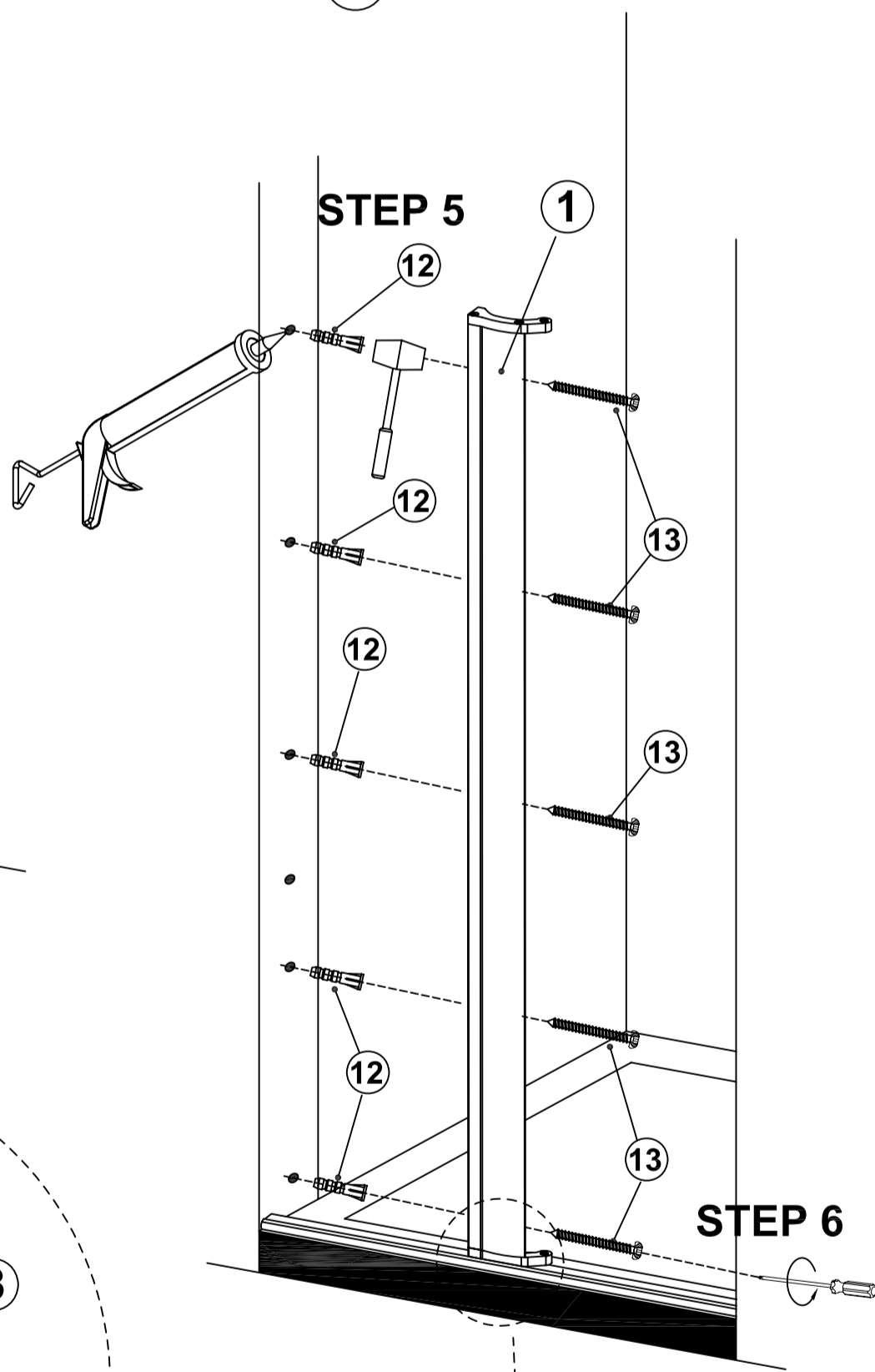
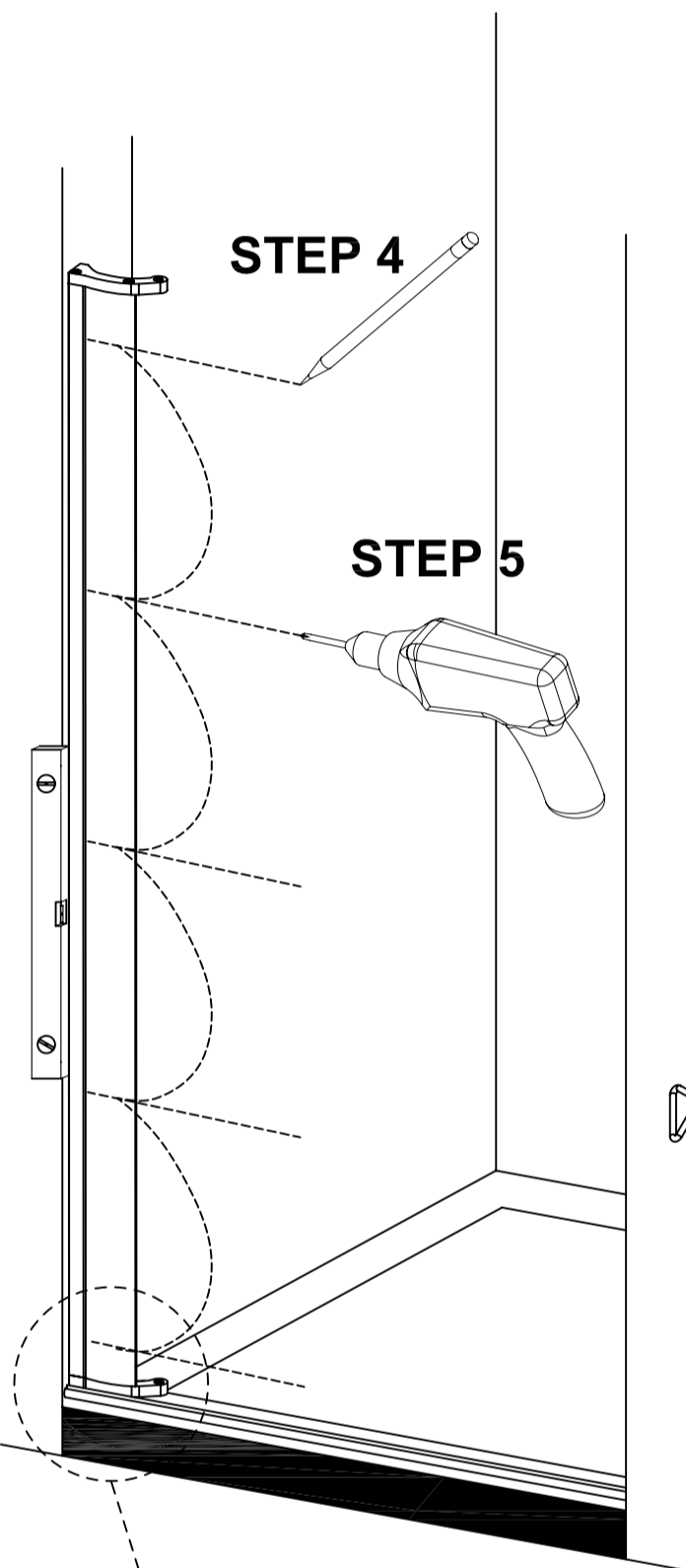
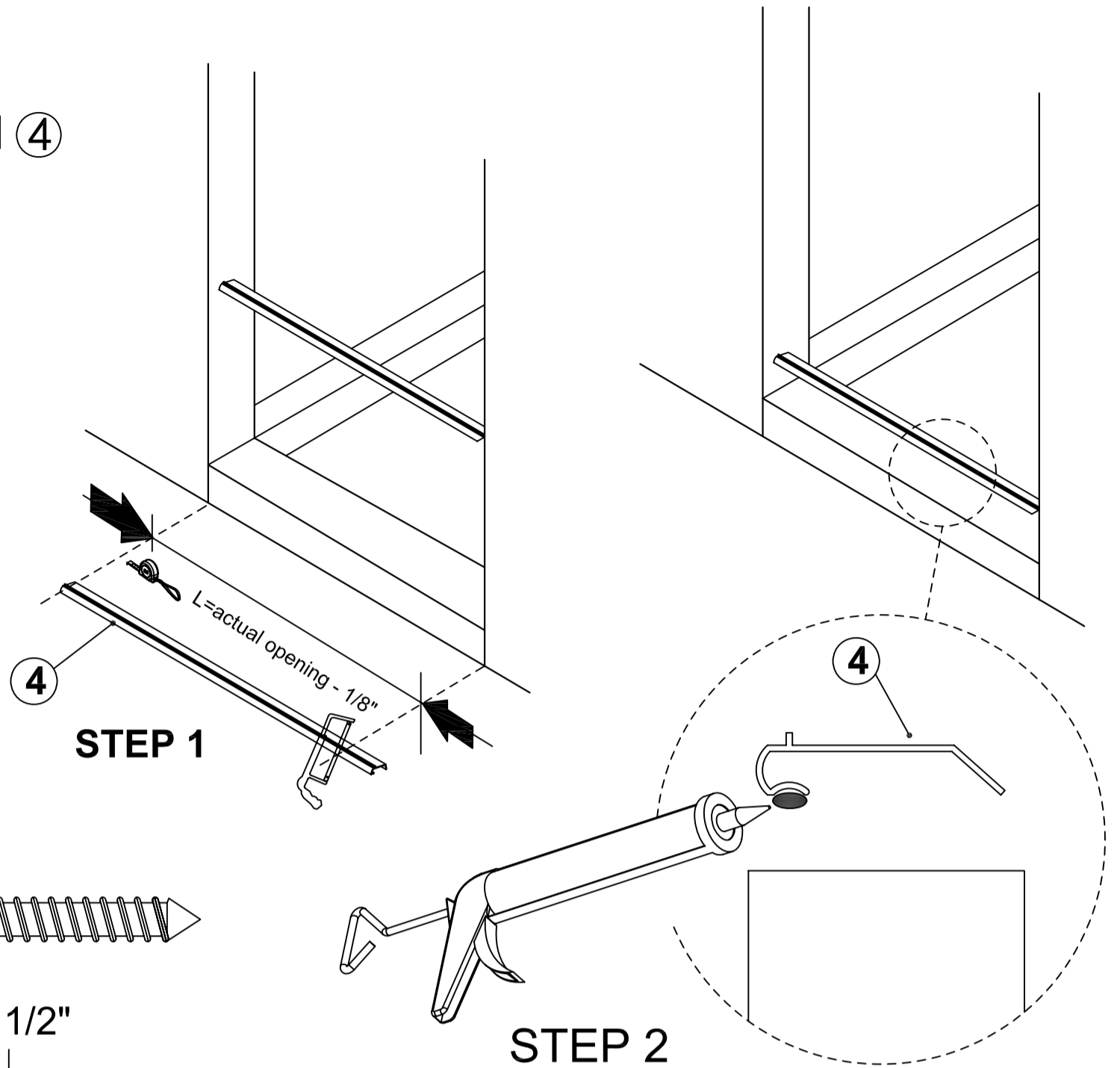
				
SILICONE	DRILL	TAPE MEASURE	RUBBER MALLET	DRILL BITS
				
LEVEL	PENCIL	SCREW DRIVERS	HANDSAW	SAFETY GLASSES

STEP 1

Measure opening on bottom and cut threshold ④ 1/8" shorter than opening.

STEP 2

Run a bead of silicone caulk along the bottom lip of the threshold ④ and set it in place with the caulk bead to the outside of the shower opening. Press threshold down firmly along the entire length of the piece.



STEP 3 Determine if door will swing from right or left wall. Attach pivot bracket arm ⑦ to bottom of pivot jamb ①. Using 1 3/8" pivot support screws ⑨.

STEP 4 Use a level to ensure wall are plumb. Position pivot jamb ① as shown on top of threshold and against the proper wall. Using a level to ensure jamb is plumb, mark screw hole locations on wall.

STEP 5 Next drill holes in the wall and using a rubber mallet, insert the wall plugs ⑫.

Step 5.1: For Acrylic & Fiberglass Shower Enclosures

Using a 1/8 inch drill bit, drill a hole about 1-1/2 inch deep at each of the previously marked locations.

WARNING: Do not use wall anchors with fiberglass of acrylic shower enclosures

Step 5.2: For Tiled Shower Enclosures

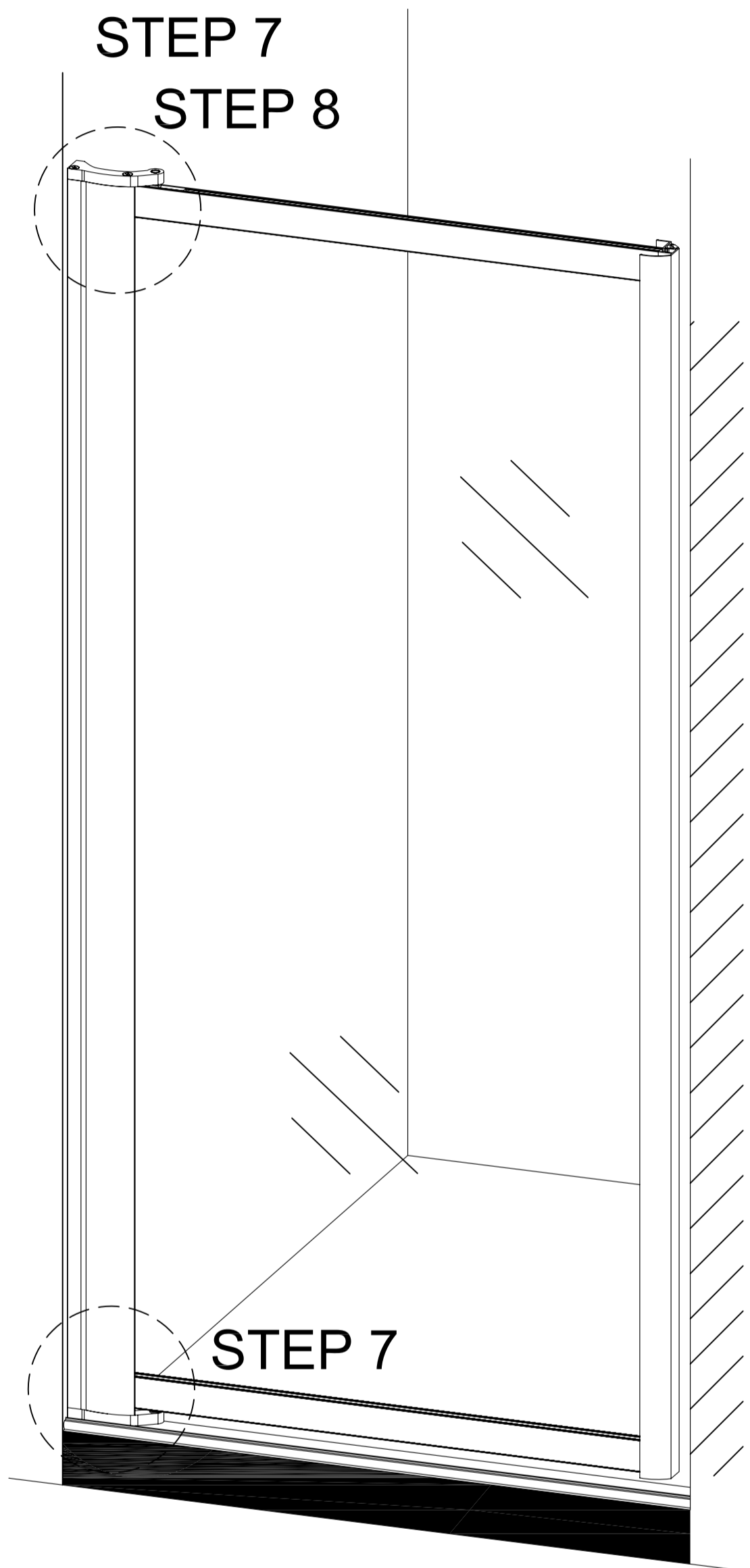
Using a 1/4 inch Masonry drill bit, drill a hole about 1-1/2 inch deep at each of the previously marked locations.

Step 5.3: For Tiled Shower Enclosures Insert wall plug ⑫ into each of the drilled holes.

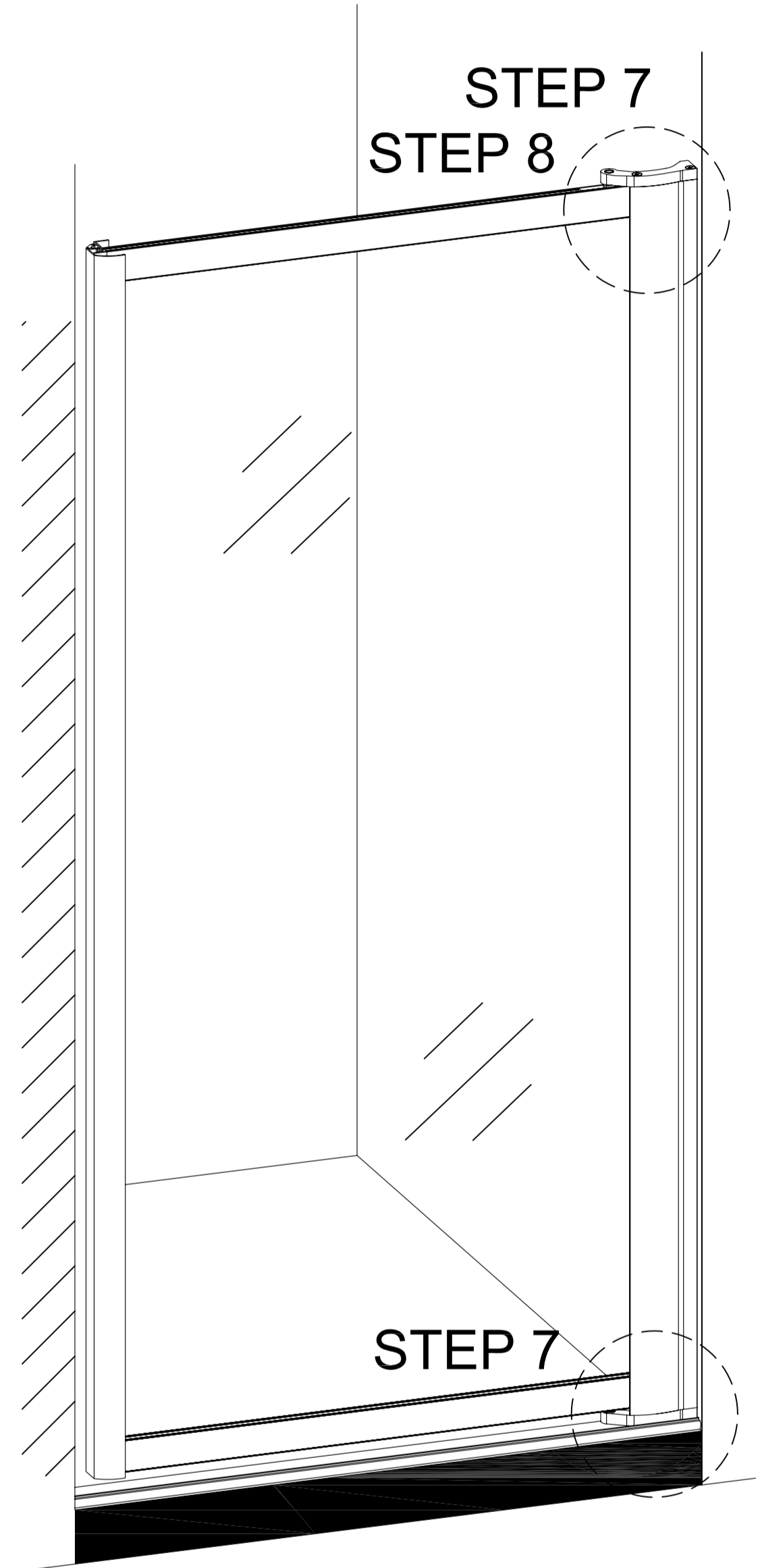
STEP 6 Set pivot jamb ① in place and attach to wall using 1 1/2" screws ⑬.

Follow the appropriate diagram below.

Left Pivot Assembly



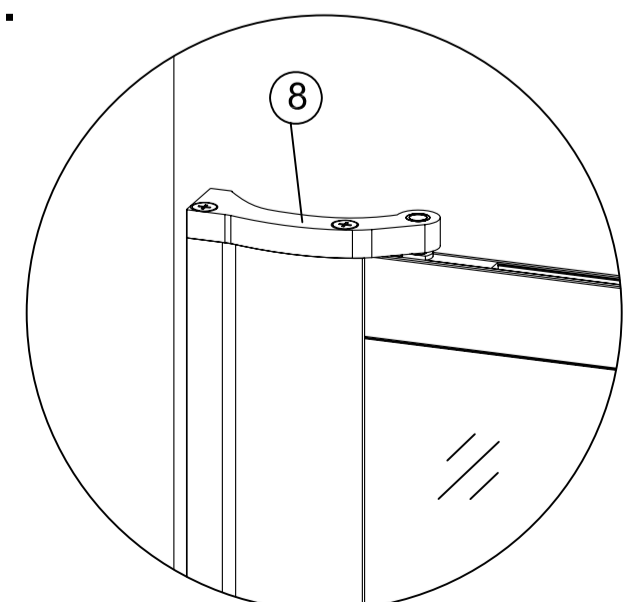
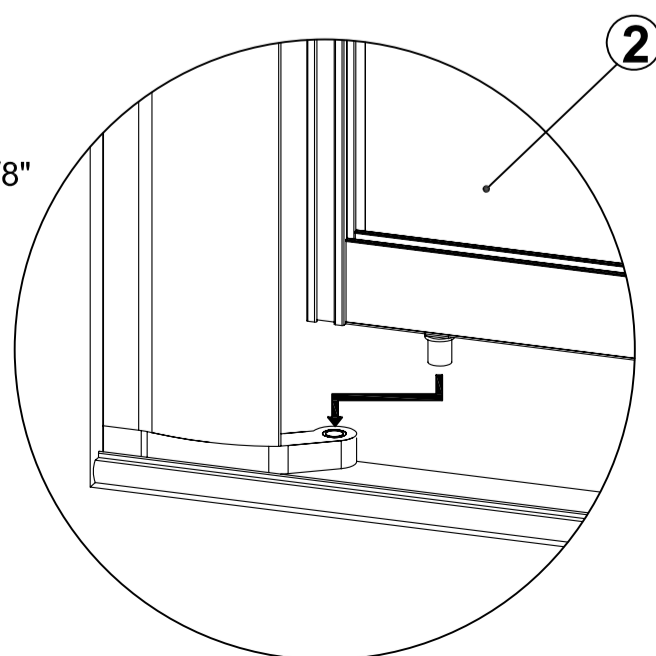
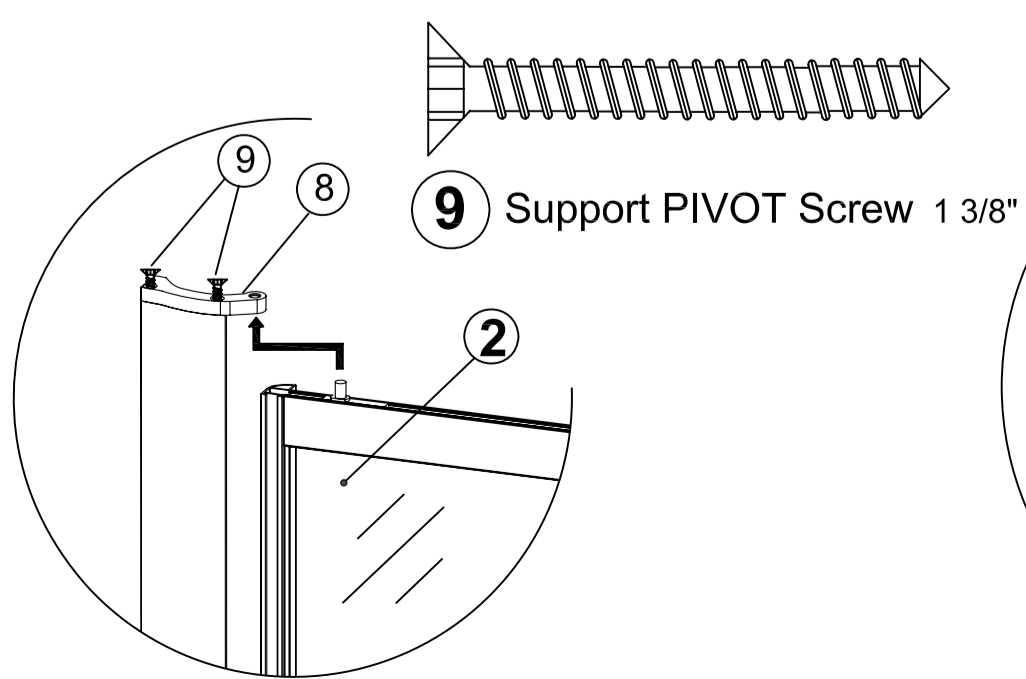
Right Pivot Assembly



STEP 7

Attach pivot bracket arm ⑦ to top of pivot jamb ① with 1 1/2" screws ⑨ but only drive screws in about 1/3 of the way. Place pivot bushings over both pivot pins. Set door panel ② in place by placing bottom pivot pin into the open hole in the pivot bracket arm ⑧.

STEP 8 Slide top pivot bracket arm ⑧ down over top pivot pin and tighten screws down to secure door in position.



For the opposite side of the Unit!

STEP 9 Line up Wall jamb ⑤ and mark holes. (See STEP 4 & 5 Drill holes and Insert the wall plugs.)

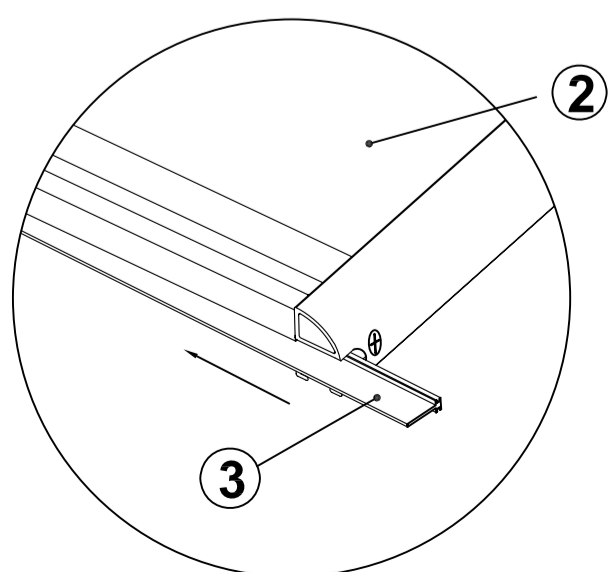
STEP 10 Silicone holes. Set Wall jamb ⑤ in place and attach into the walls by 1 1/2" screw ⑬.

STEP 11 Slide magnetic jamb ⑥ over wall jamb ⑤ and position so that door closes against entire jamb from top to bottom. Line up drill with 1/8" bit through adjustment slots along inside edge of magnetic jamb ⑥ and drill a hole into inside leg of wall jamb ⑤.

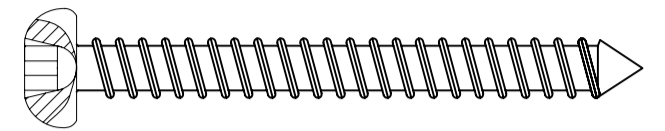
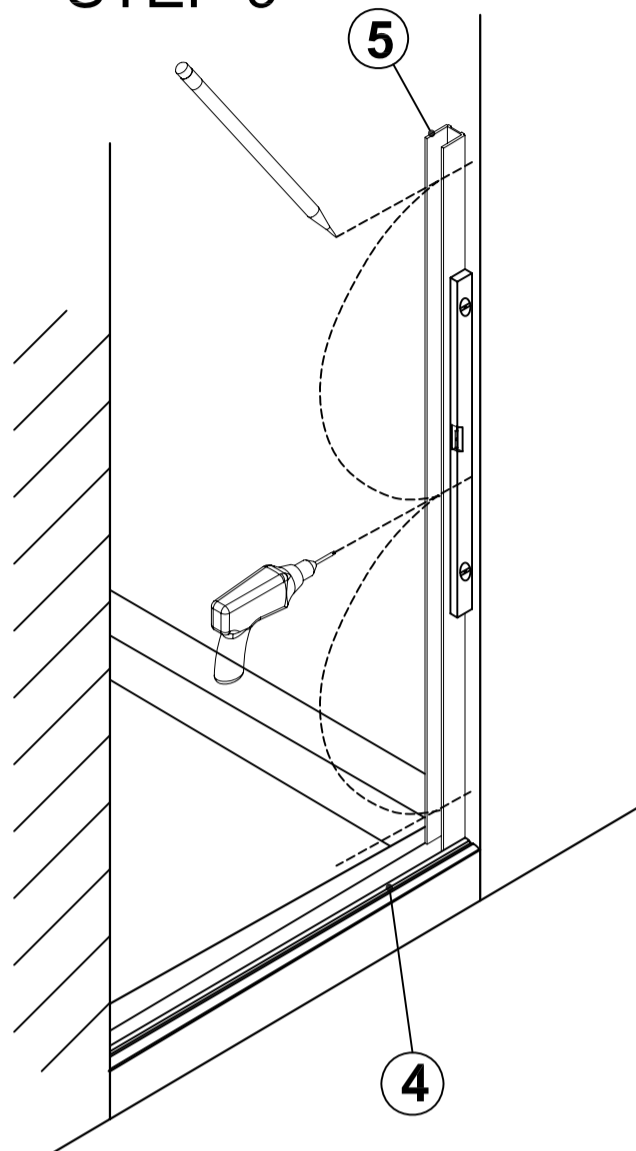
STEP 12 Using 3/8" screws ⑩ attach magnetic jamb ⑥ to wall jamb ⑤ using holes drilled in step 11. Once all adjustments have been made, tighten screws and cover with screw caps ⑪.

STEP 13 Slide vinyl sweep ③ into slot along bottom of door panel ②.

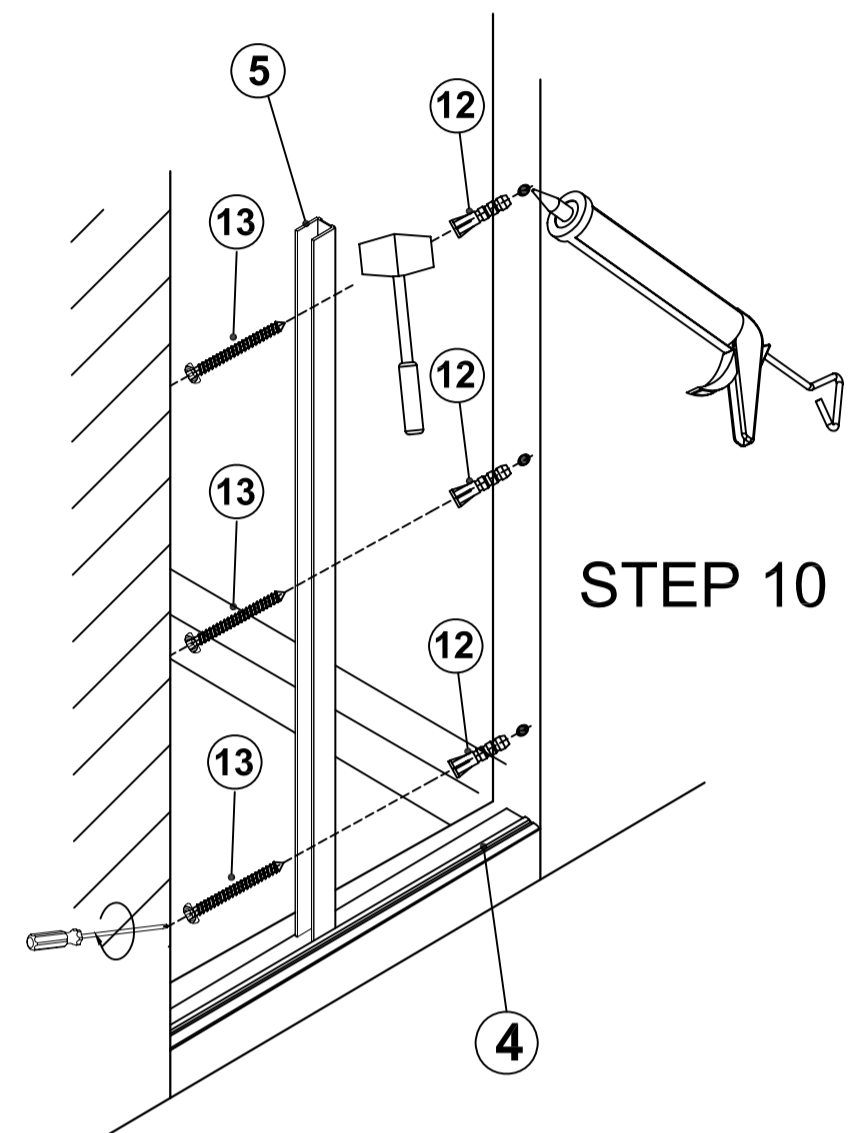
Hint: use a spritz of water or glass cleaner to lubricate the vinyl for easier insertion.



STEP 9

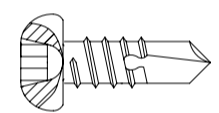
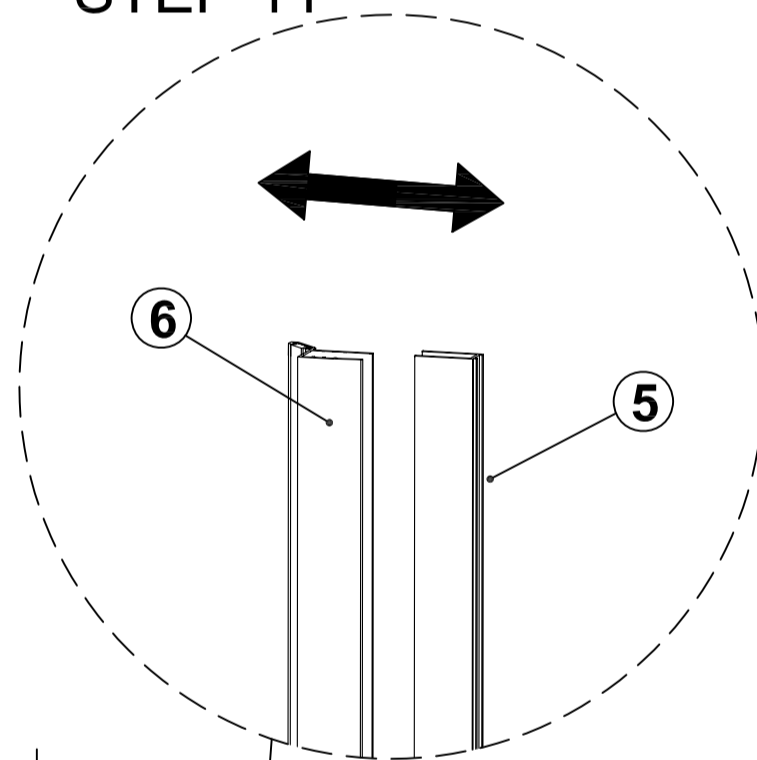


⑬ SCREW 1 1/2"

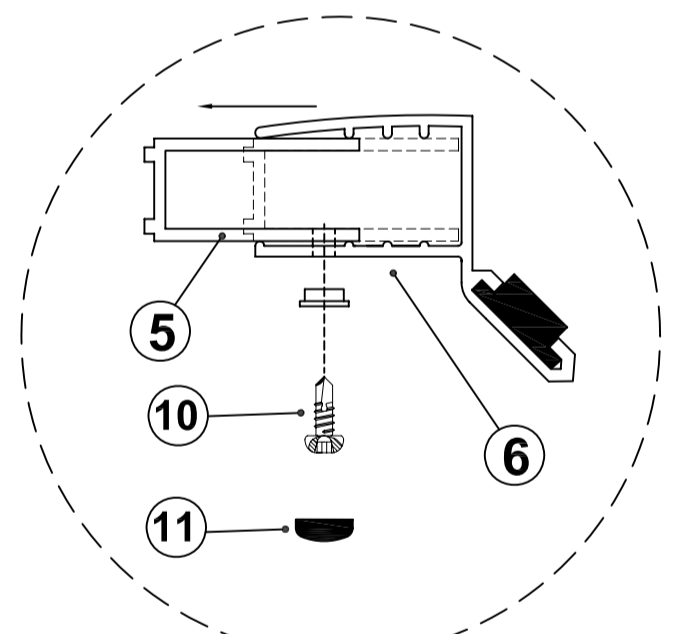


STEP 10

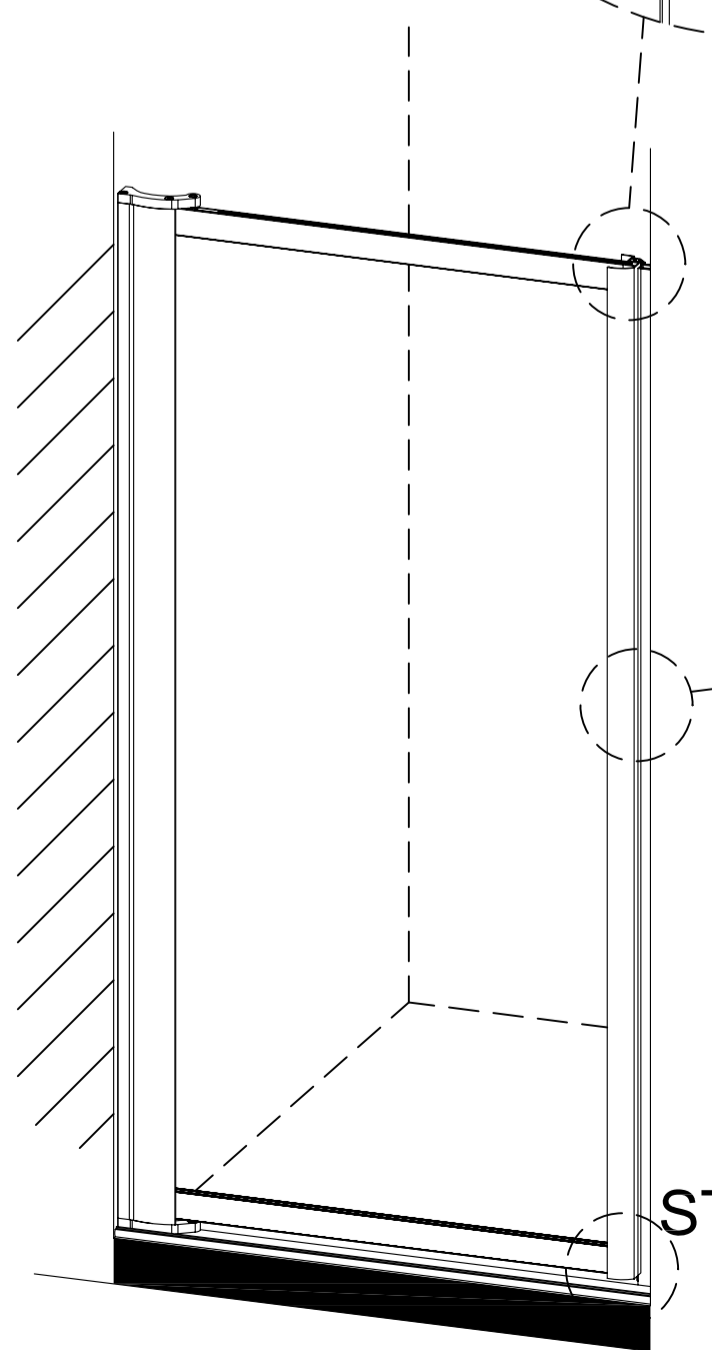
STEP 11



⑩ SCREW 3/8"

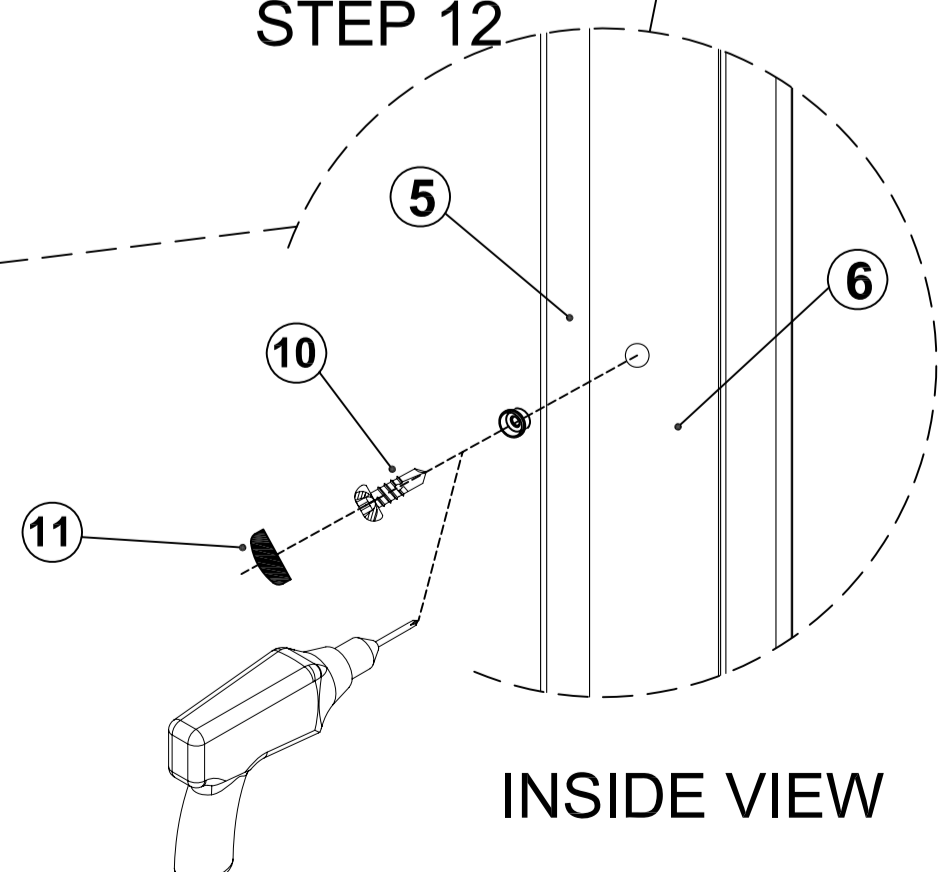


TOP VIEW



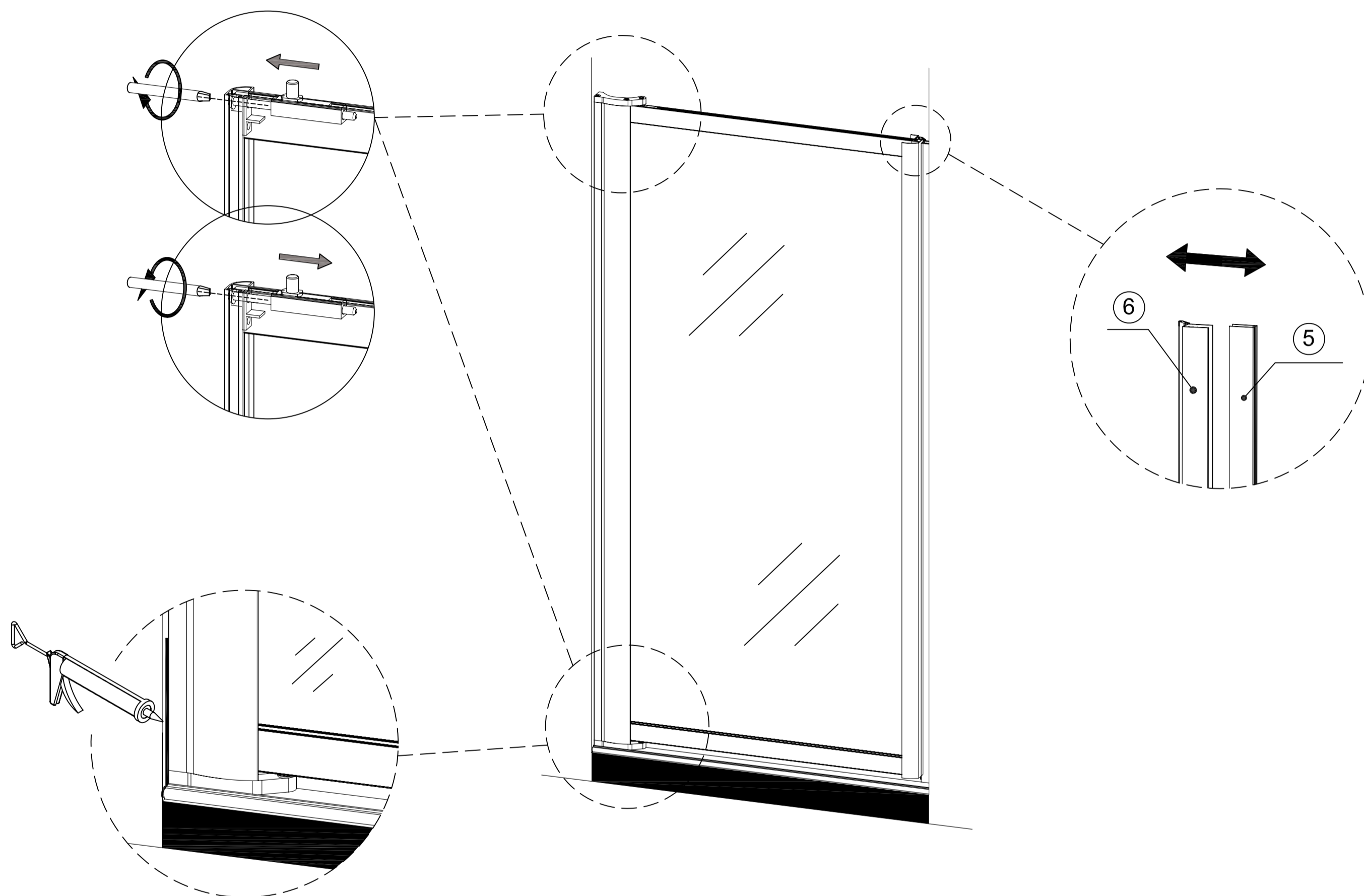
STEP 13

STEP 12



INSIDE VIEW

Close door and check to make sure the magnetic strips line up from top to bottom. If it is necessary to adjust the door panel, insert a Phillips head screw driver into the holes at the top and bottom of the door panel on the pivot side (see drawings). By turning the screw clockwise, you will move the panel closer to the magnetic strike and turning the screw counter-clockwise will move the panel away from the strike.



CAULK ALL SIDES

FINAL STEP: Caulk the inside sides of the shower door frame to seal. Keep the entire area dry for a minimum of **24** hours.



24 Hours