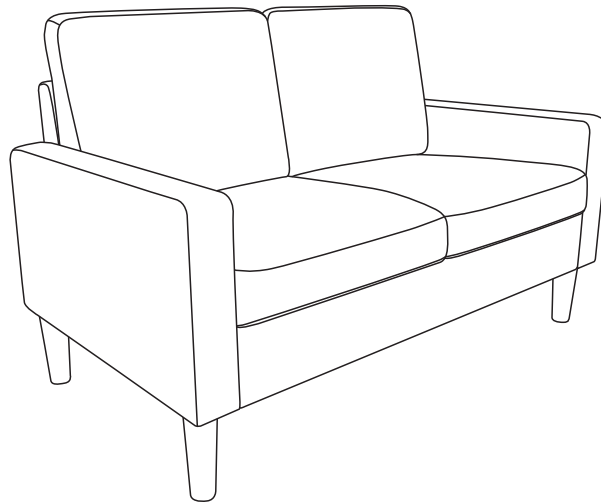
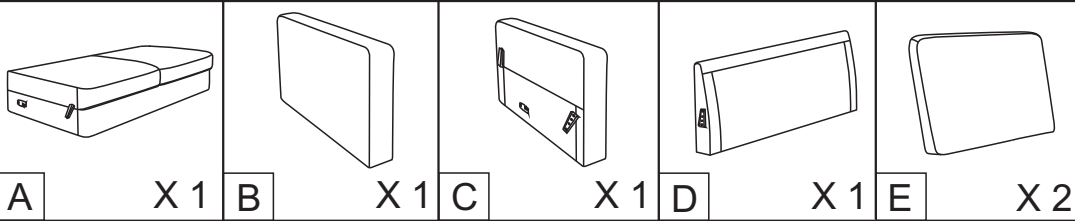


ASSEMBLY INSTRUCTION

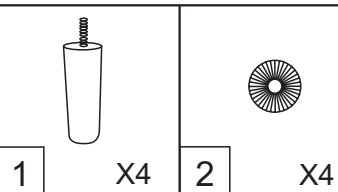
ITEM NO.:F3111/F3222



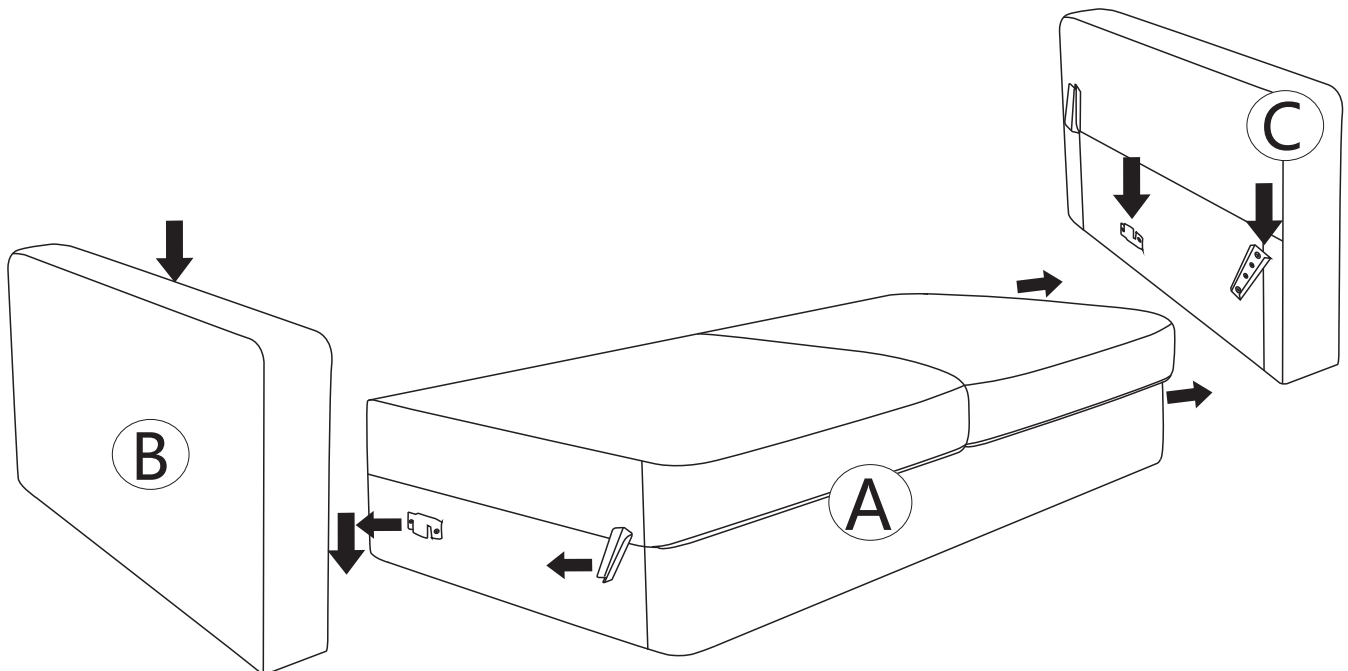
PARTS LIST



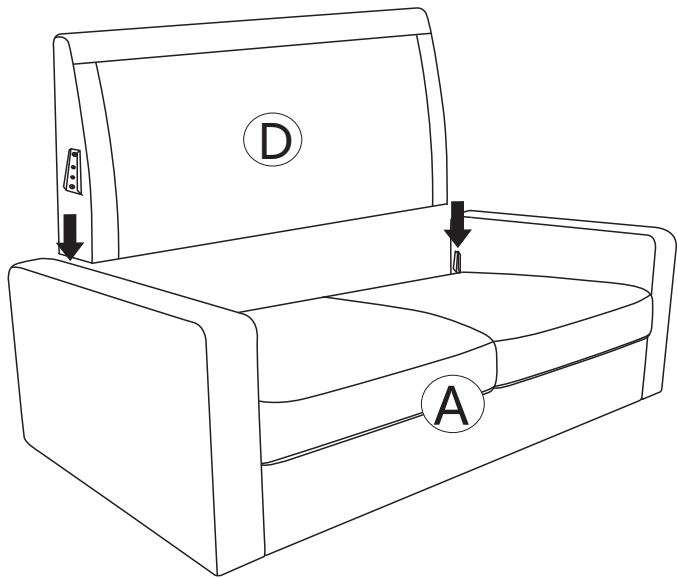
HARDWARE LIST



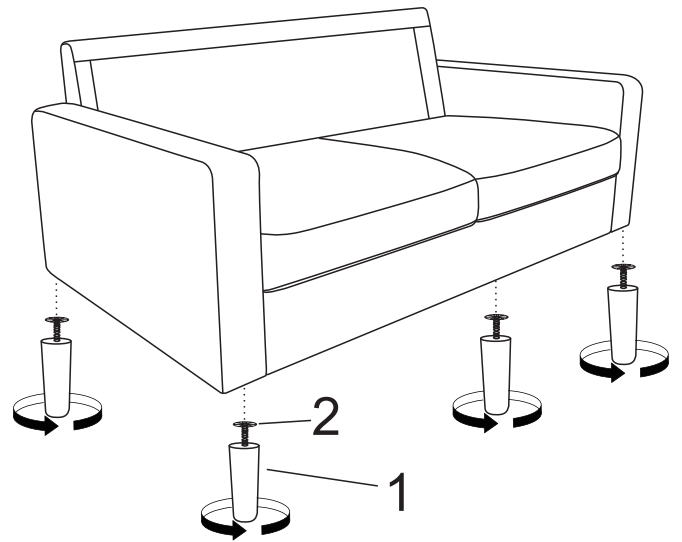
Step1



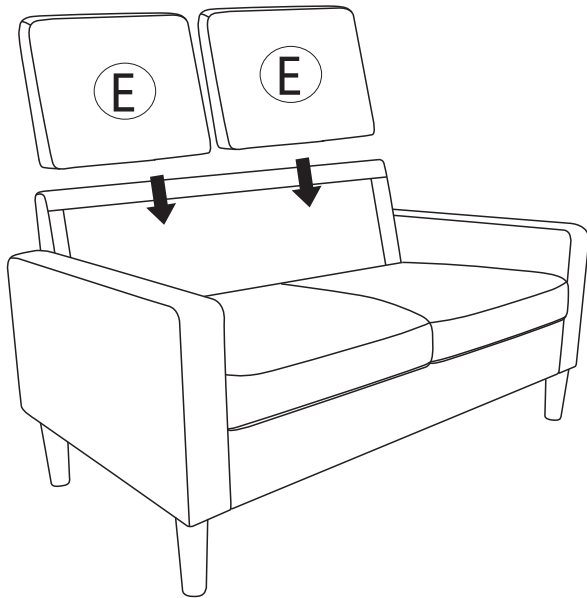
Step2



Step3



Step4



Step5

