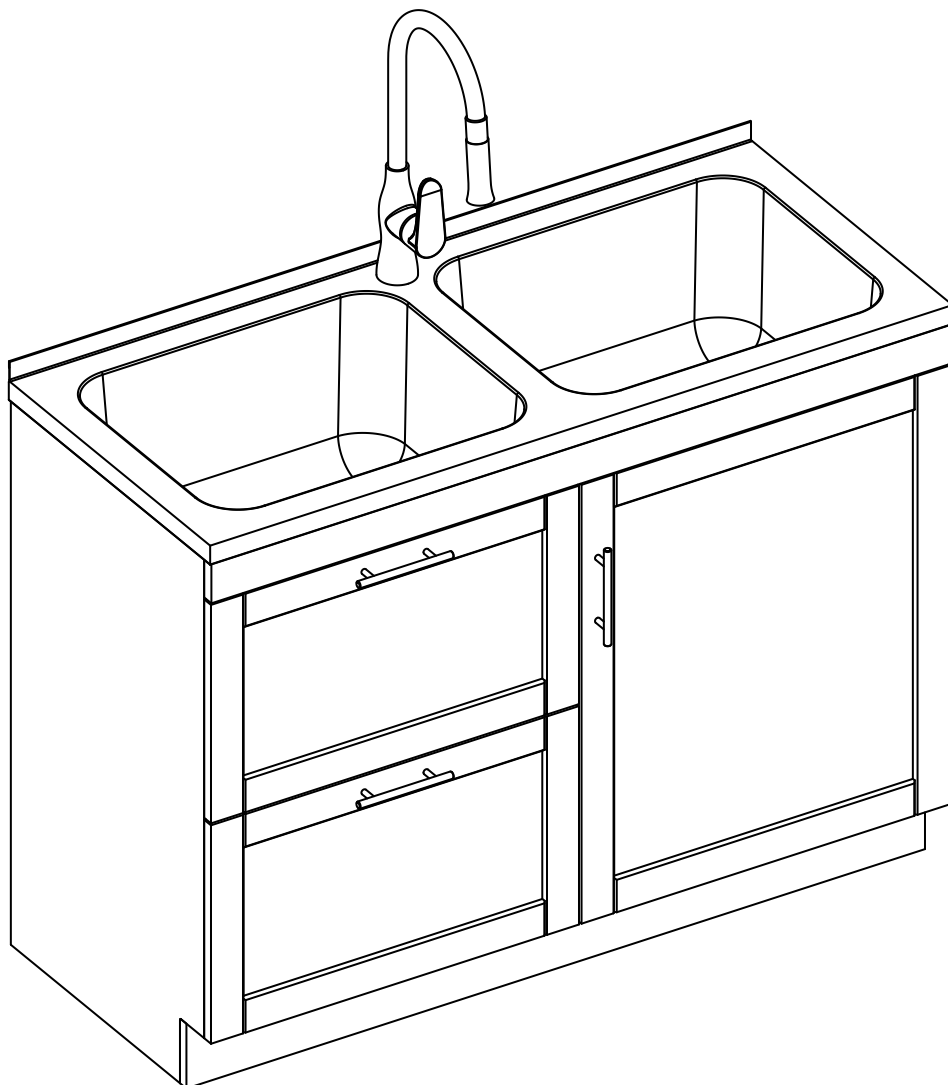


46 INCH LAUNDRY CABINET with FAUCET and DUAL STAINLESS SINK





Questions, problems, assembly help, missing parts?

No need to return the product, we will gladly help and ship your replacement parts free of charge

Please call Customer Service

In order to assist you in a timely manner, please have the following information ready:

Model # _____ Part Number or Letter _____

Purchased at _____ Date of Purchase _____

If you wish to return the product, please contact the retailer where the product was purchased.

IMPORTANT: Please read this manual carefully before beginning assembly of this product. Keep this manual for future reference.

SAFETY INFORMATION

Identify all the parts and hardware. Do not discard the packaging until you have checked that you have all of the parts and hardware required. Hardware package may have spare parts.

WARNING: This item contains small parts which can be swallowed by children and pets. Keep children and pets away during assembly. To avoid danger of suffocation, always keep plastic bags away from children and pets. We recommend that you assemble this unit on a carpeted floor to avoid scratches. We do not recommend the use of power tools for assembly as this could damage the unit. Only use manual tools.

Requires 2 people for ease of assembly.

CARE and MAINTENANCE

To clean, use a soft or slightly damp cloth, then wipe with a clean, drycloth. Dust with a soft dry cloth.

Do not use ammonia-based cleaning products, as they will damage the finish.

Do not leave liquids or damp cloths on this furniture.

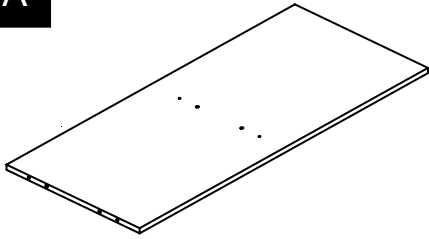
To avoid dulling of the finish, do not place this furniture in direct sunlight.

Please inspect and tighten all screws or bolts on a regular basis to ensure proper performance and safety of your item.

PRE-ASSEMBLY INFORMATION

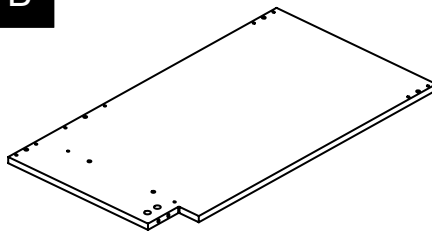
CABINET PARTS

A



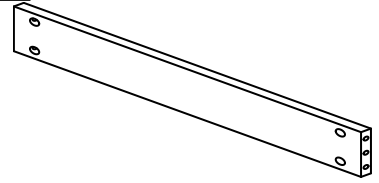
BOTOM PANEL
QTY 1

B



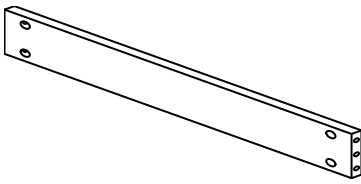
RIGHT SIDE PANEL
QTY 1

C



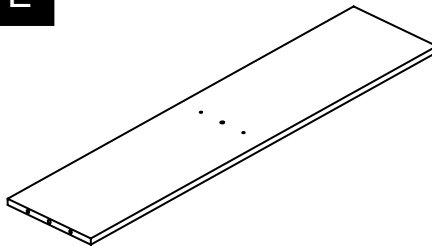
BACK BOTTOM PANEL
QTY 1

D



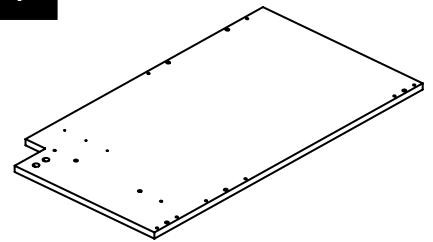
BACK TOP PANEL
QTY 1

E



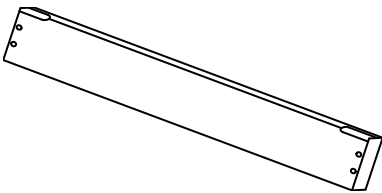
BACK MIDDLE PANEL
QTY 1

F



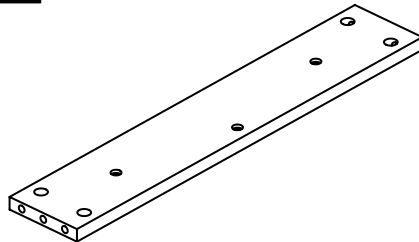
LEFT SIDE PANEL
QTY 1

G



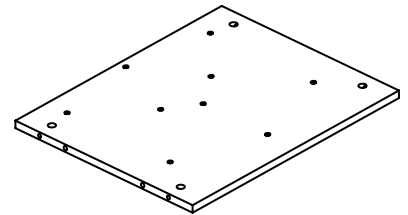
FRONT BOTTOM PANEL
QTY 1

H



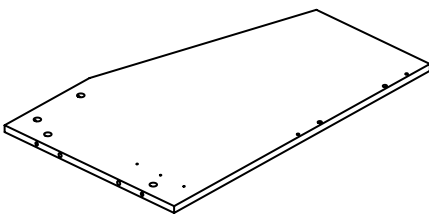
FRONT TOP PANEL
QTY 1

I



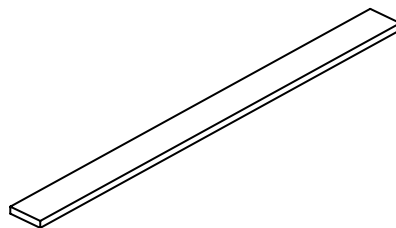
FRONT TOP PANEL
QTY 1

J



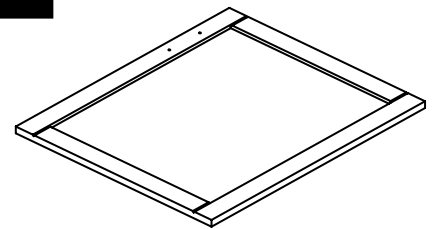
MIDDLE PANEL
QTY 1

K



FRONT PANEL
QTY 1

L



DOOR PANEL
QTY 1

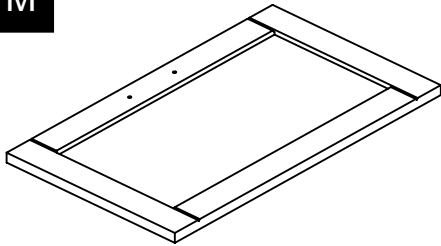
NEED HELP? For help with assembly or if you are missing a part,

Please call customer service

PRE-ASSEMBLY INFORMATION

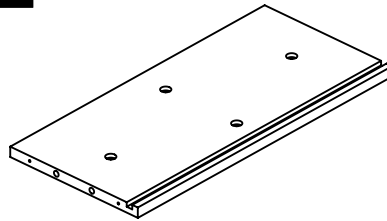
CABINET PARTS

M



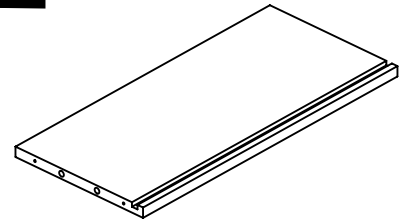
DRAWER PANEL
QTY 1

N



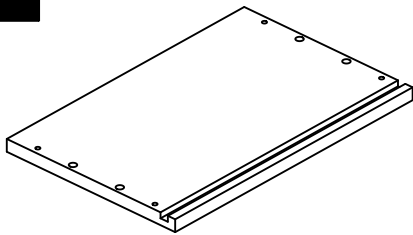
DRAWER FRONT
QTY 1

O



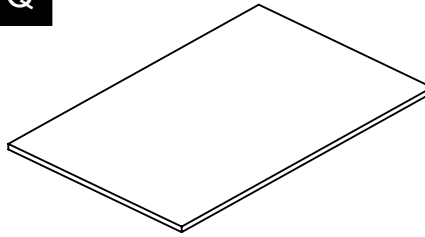
DRAWER BACK
QTY 1

P



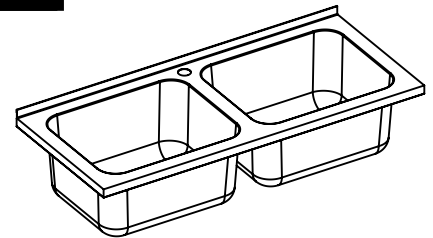
DRAWER RIGHT AND LEFT
QTY 2

Q



DRAWER BOTTOM
QTY 1

R



SINK
QTY 1

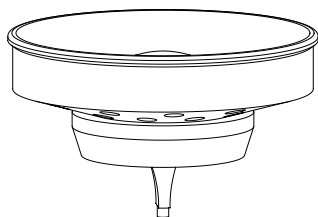
NEED HELP? For help with assembly or if you are missing a part,

Please call customer service

PRE-ASSEMBLY INFORMATION

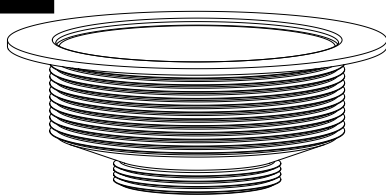
DRAIN PARTS

1



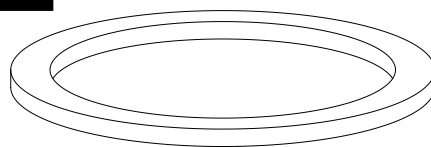
DRAIN PLUG ASSEMBLY
QTY 1

2



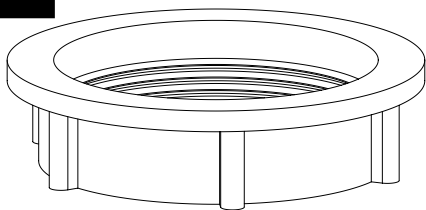
DRAIN BOWL ASSEMBLY
QTY 1

3



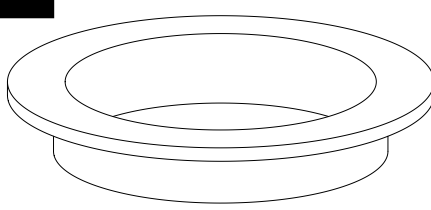
DRAIN WASHER BLACK
QTY 1

4



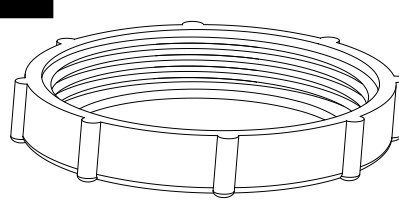
THREAD WASHER
QTY 1

5



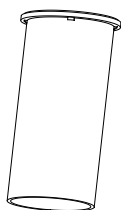
PIPE WASHER
QTY 1

6



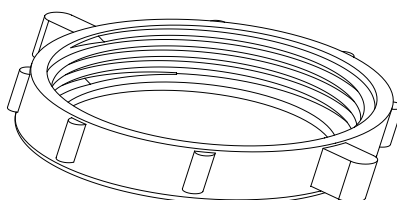
COUPLING BLACK
QTY 1

7



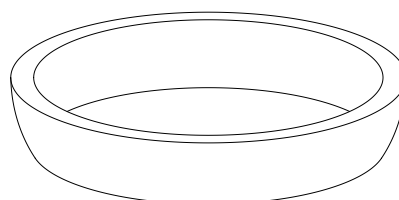
STRAIGHT DRAIN PIPE BLACK
QTY 1

8



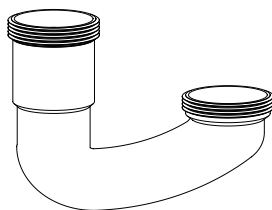
COUPLING BLACK
QTY 2

9



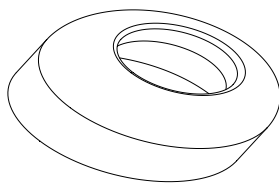
PIPE WASHER WHITE
QTY 1

10



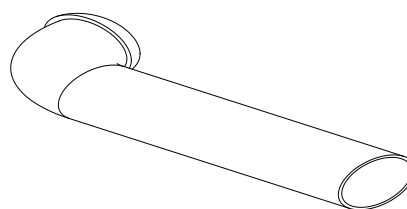
DRAIN CHANNEL BLACK
QTY 1

11



PIPE COVER BLACK
QTY 1

12



OUTER DRAIN CHANNEL
QTY 1

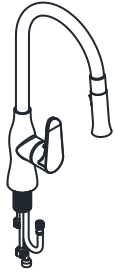
NEED HELP? For help with assembly or if you are missing a part,

Please call customer service

PRE-ASSEMBLY INFORMATION

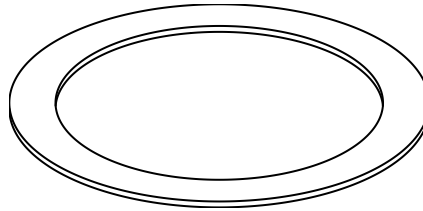
FAUCET PARTS

AA



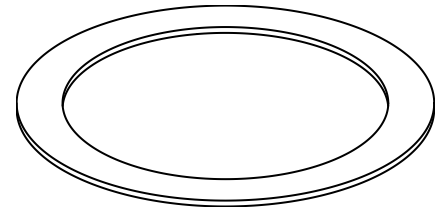
FAUCET BODY
QTY 1

BB



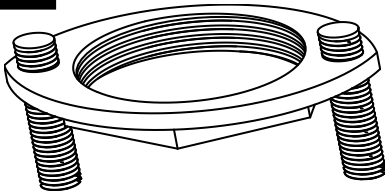
FAUCET WASHER RUBBER
QTY 2

CC



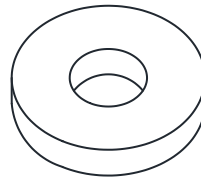
FAUCET WASHER STEEL
QTY 1

DD



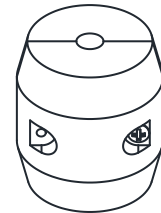
BRASS NUT ASSEMBLY
QTY 1

EE



FAUCET SEALING RING
QTY 1

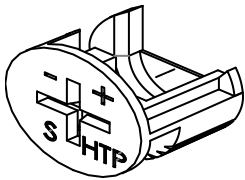
FF



WEIGHT BLOCK
QTY 1

HARDWARE PARTS

I



CAM LOCK
QTY 33

II



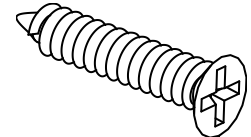
CAM PIN
QTY 33

III



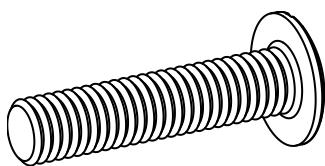
WOOD DOWEL
QTY 28

IV



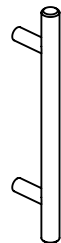
SELF-TAPPING SCREW
M4x16 M4x25 M4x40
QTY21 QTY11 QTY9

V



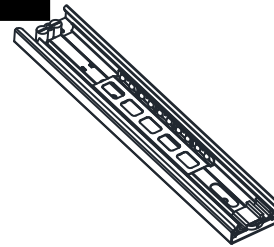
PAN HEAD PHILLIPS SCREW
M4x30
QTY 6

VI



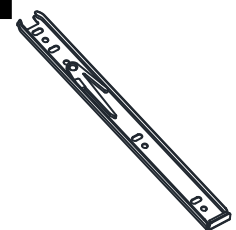
HANDLE
QTY 3

VII



SLIDE RAIL
QTY 2

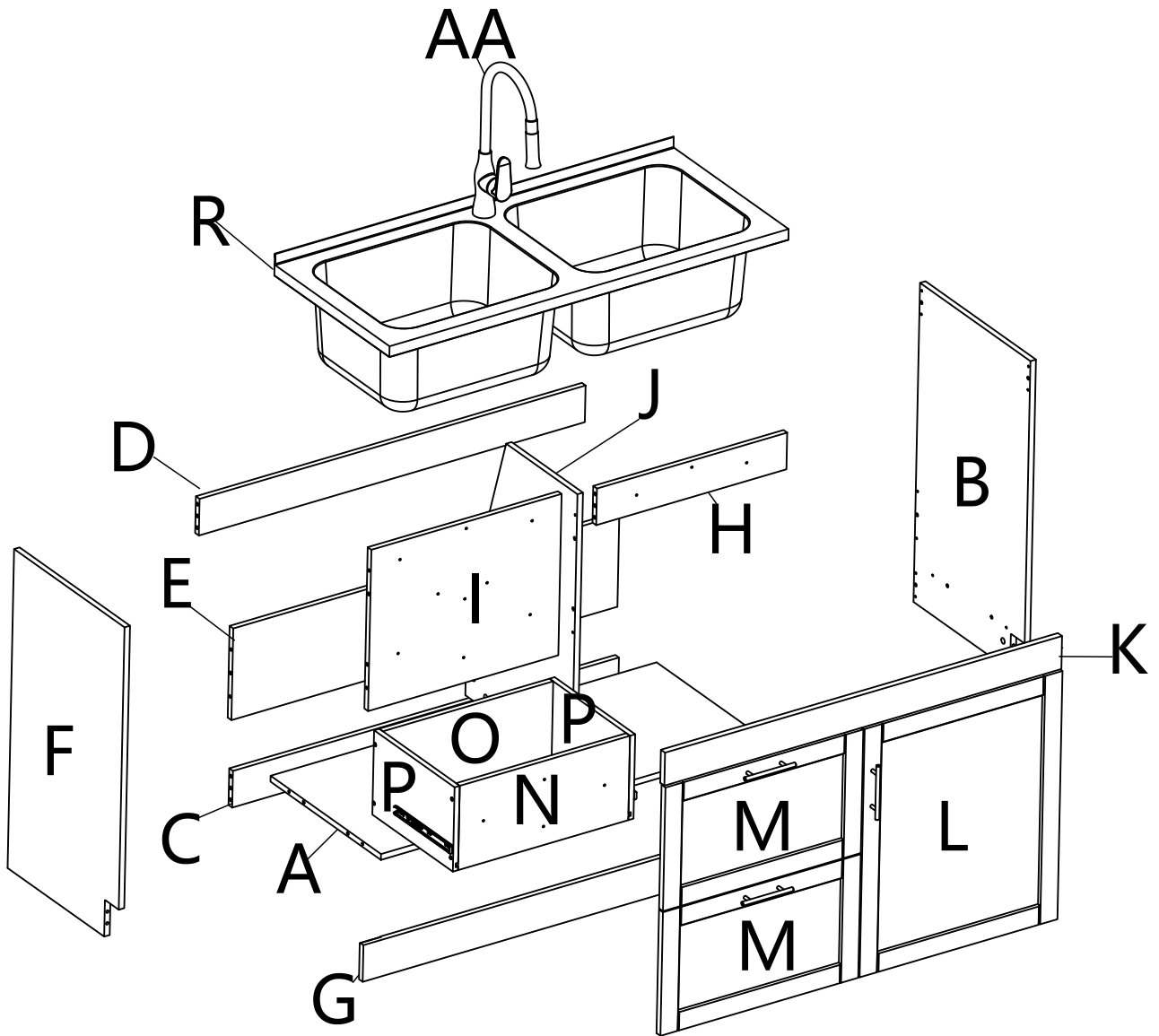
VIII



SLIDE RAIL
QTY 2

NEED HELP? For help with assembly or if you are missing a part,
Please call customer service

COMPONENTS-KEY DIAGRAM

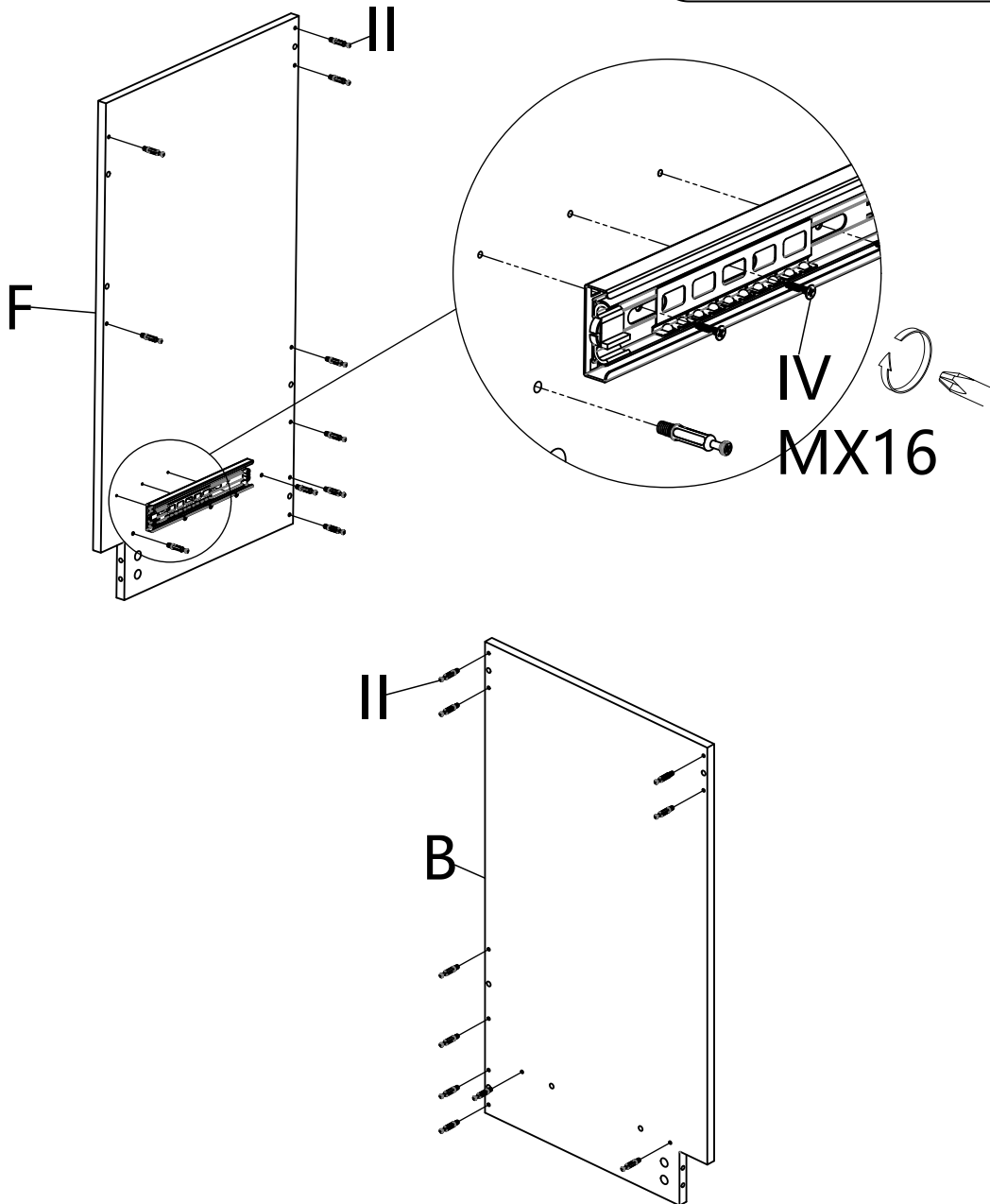


ASSEMBLY

STEP 1



NOTE: THE SCREWDRIVER IS NOT INCLUDED IN THE HARDWARE PACK.



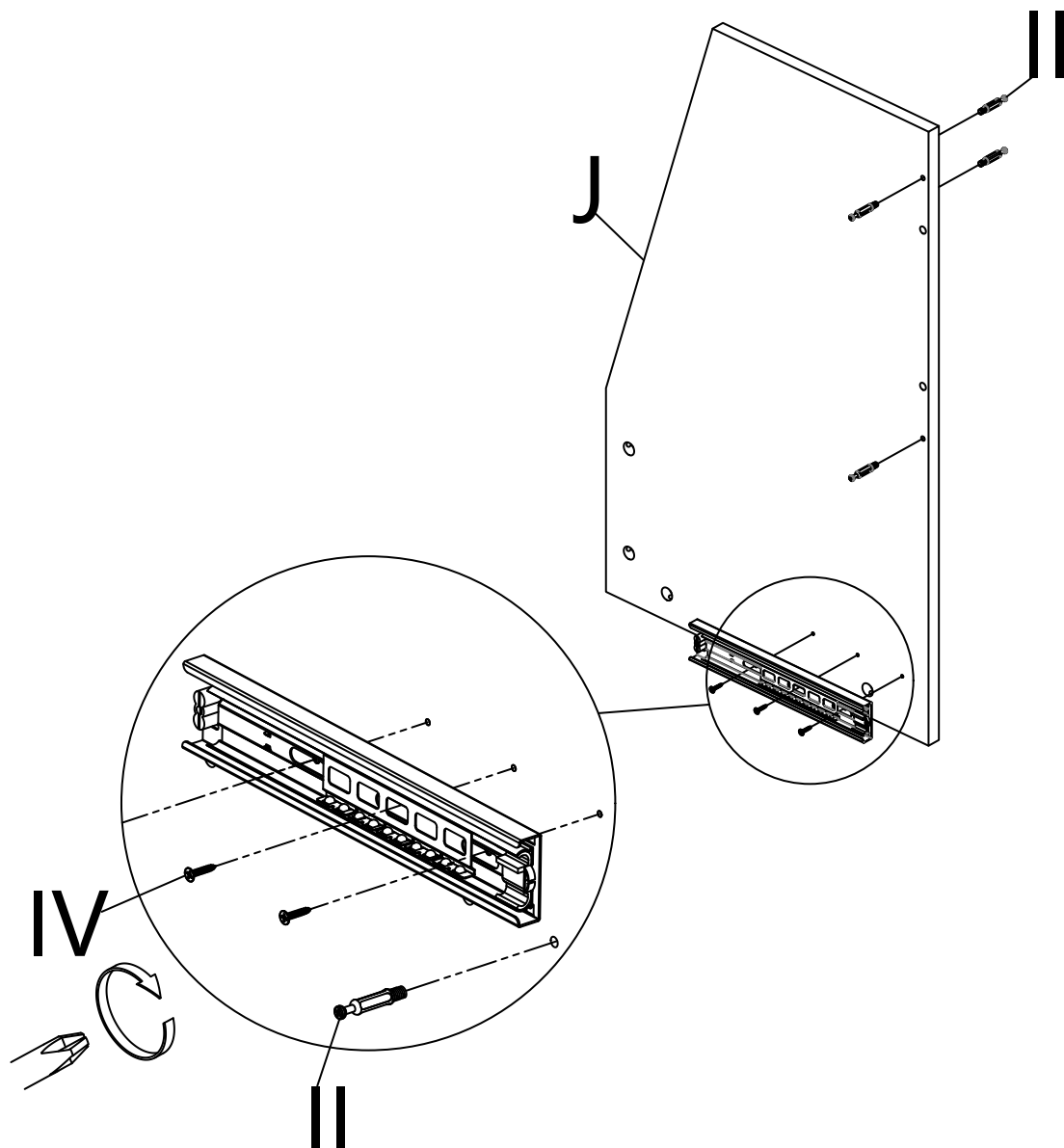
Screw Cam Pins (II) into the pre-drilled small holes on Left Panel (F) and Right Panel (B).
Let Self-Tapping Screw (IV) M4x16 go through the hole of Slide Rail (VII), then screw into the small hole of Left Panel (F).

ASSEMBLY

STEP 2



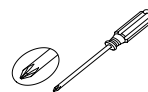
NOTE: THE SCREWDRIVER IS NOT INCLUDED IN THE HARDWARE PACK.



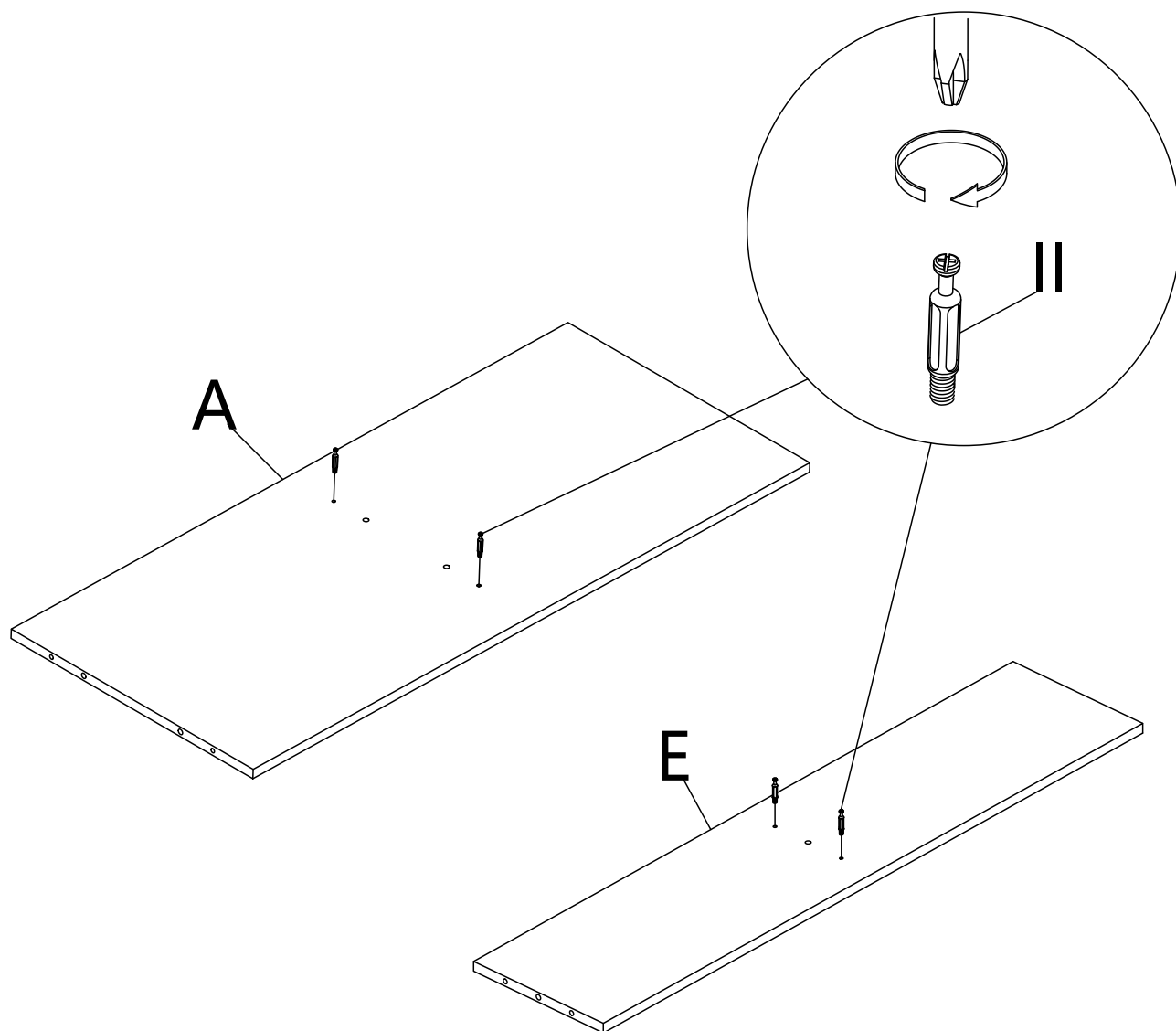
Screw Cam Pins (II) into the pre-drilled small holes on Middle Panel (J) .
Let Self-Tapping Screw (IV) M4x16 go through the hole of Slide Rail (VII), then screw into the small hole of Middle Panel (J).

ASSEMBLY

STEP 3



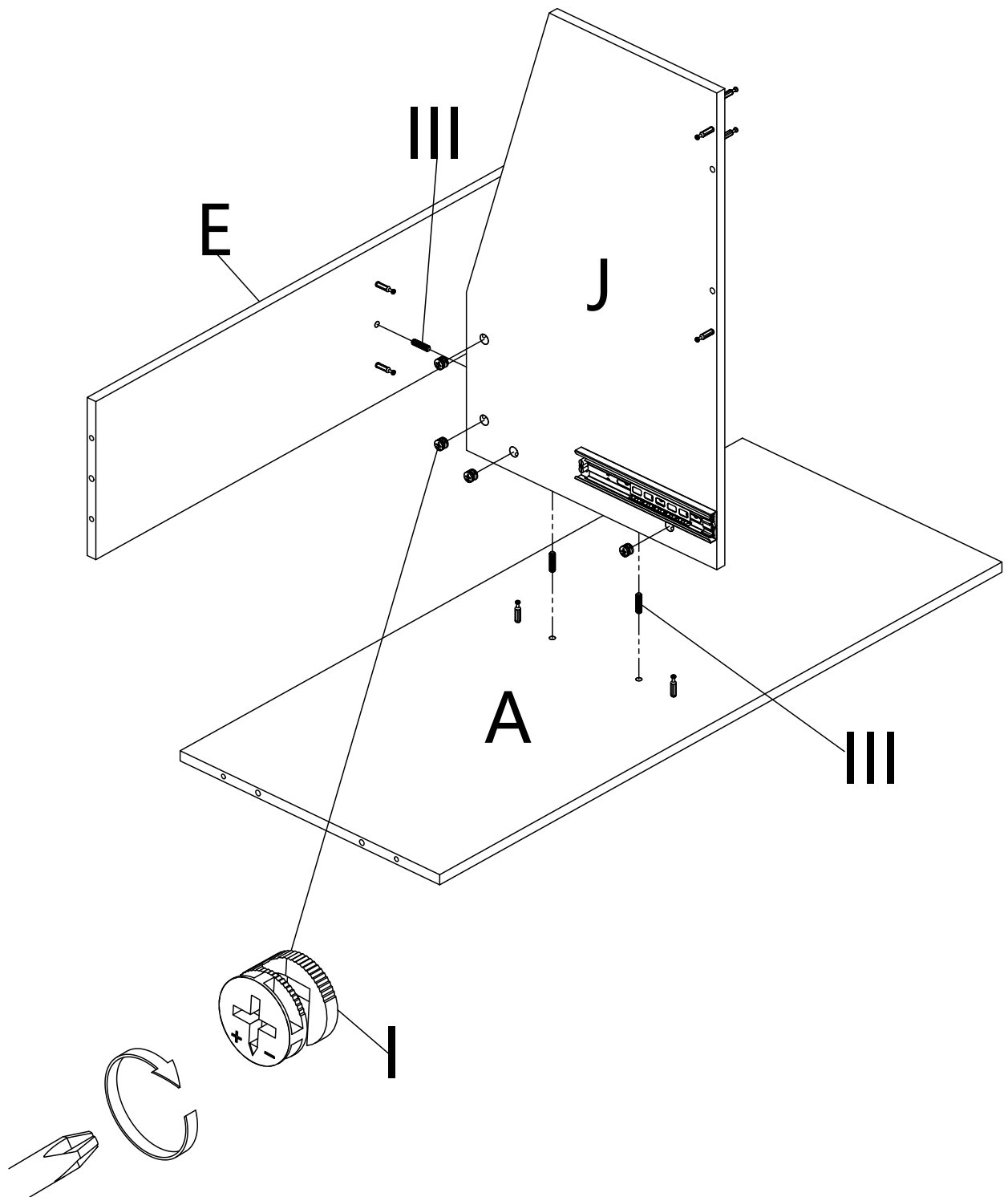
NOTE: THE SCREWDRIVER IS NOT INCLUDED IN THE HARDWARE PACK.



Screw Cam Pins (II) into the pre-drilled small holes on Bottom Panel (A) and Back Middle Panel (E).

ASSEMBLY

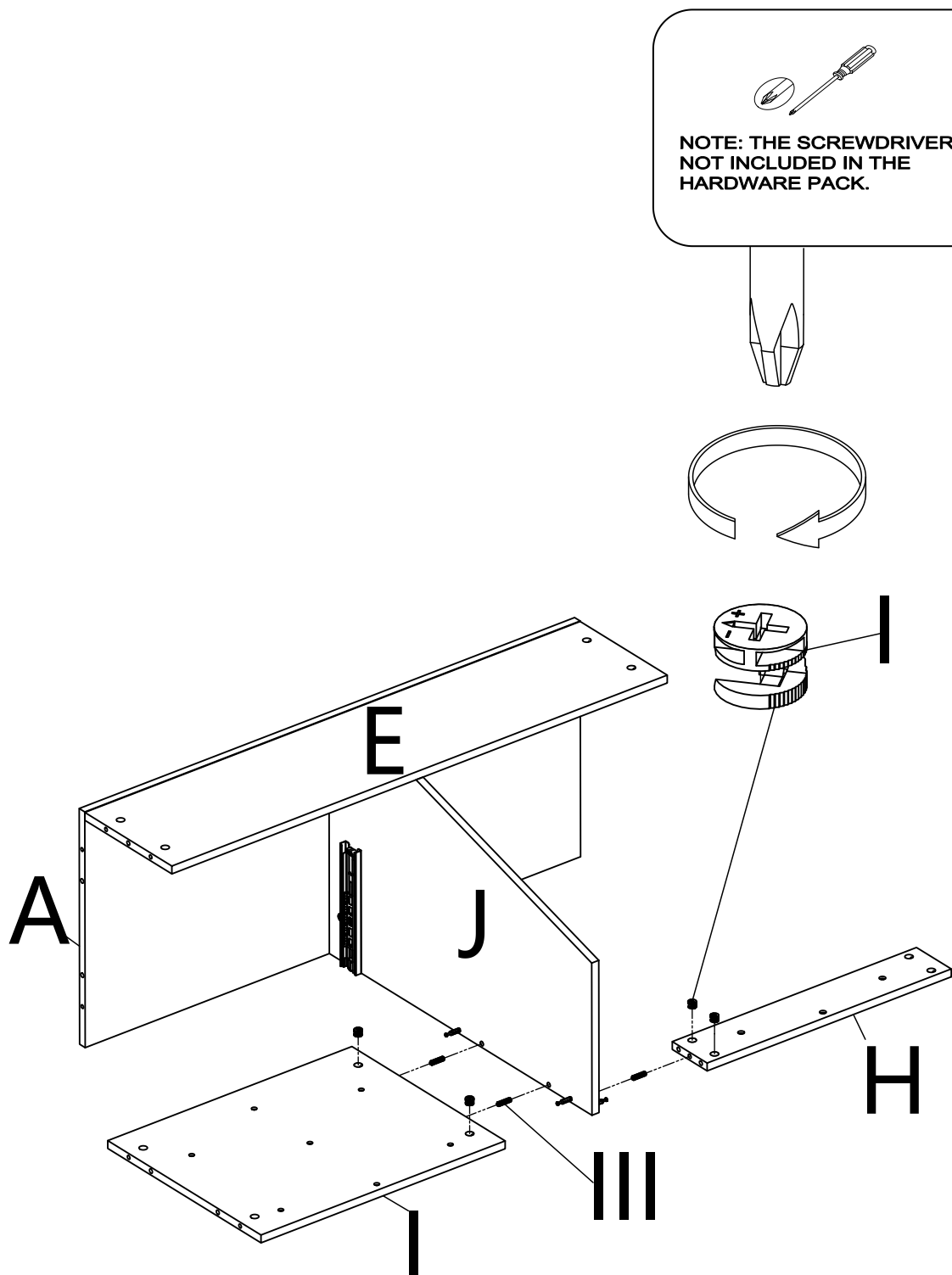
STEP 4



Insert Wood Dowels (III) into the pre-drilled hole of Middle Panel (J).
Attach Middle Panel (J) to Back Middle Panel (E) and Bottom Panel (A).
Insert Cam Locks (I) into pre-drilled holes on Middle Panel (J).
Tighten with flathead screwdriver.

ASSEMBLY

STEP 5



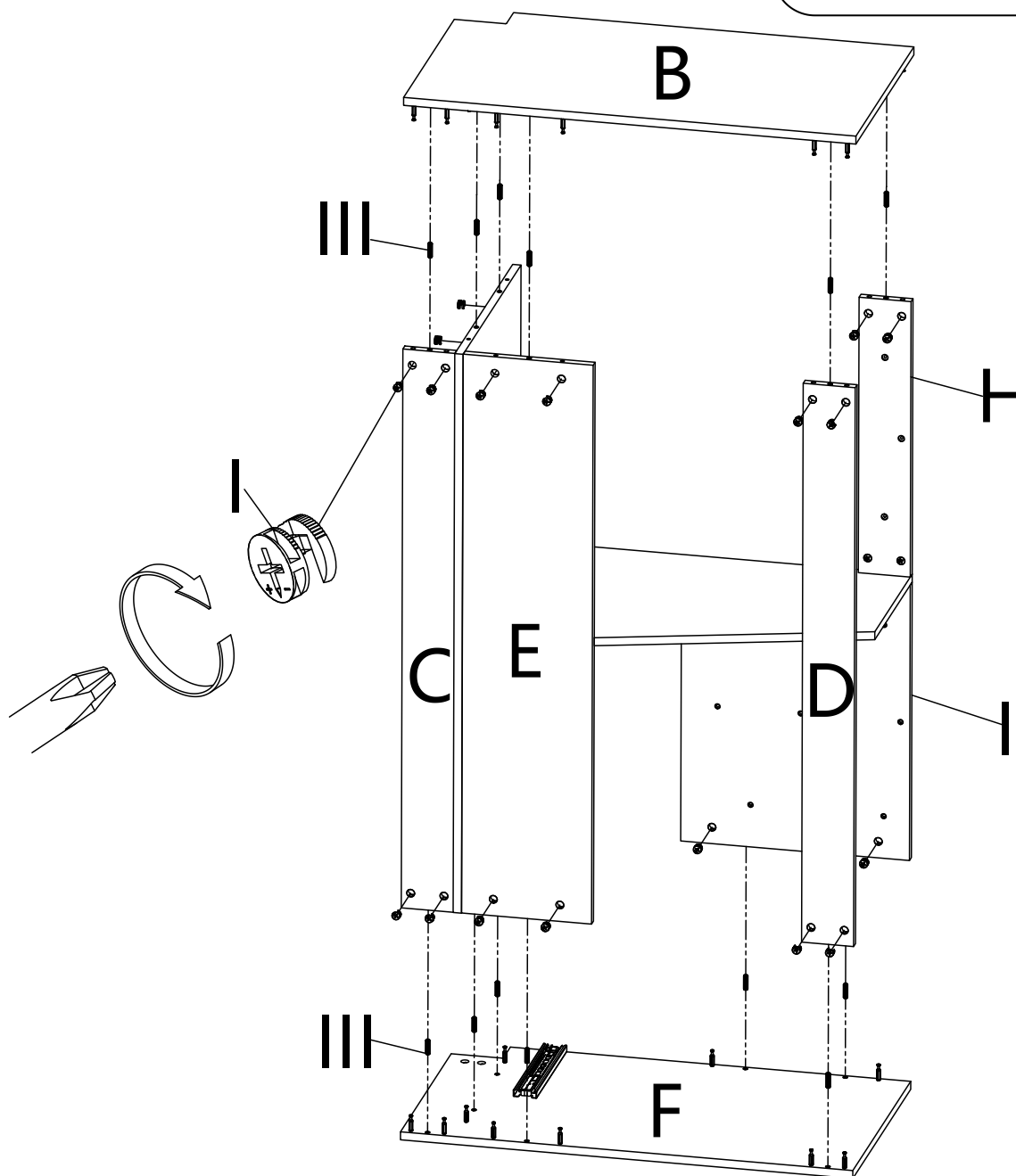
Insert Wood Dowels (III) into the pre-drilled hole of Front Top Panel (I) and (H).
Attach Middle Panel (J) to Front Top Panel (I) and (H).
Insert Cam Locks (I) into the pre-drilled hole of Top Panel (I) and (H).
Tighten with flathead screwdriver.

ASSEMBLY

STEP 6



NOTE: THE SCREWDRIVER IS NOT INCLUDED IN THE HARDWARE PACK.



Insert Wood Dowels (III) into the pre-drilled holes of Bottom Panel (A), Front Top Panel (H) and (I), Back Bottom Panel (C), Back Middle Panel (E) and Back Top Panel (D).

Attach Bottom Panel (A), Front Top Panel (H) and (I), Back Bottom Panel (C), Back Middle Panel (E), Back Top Panel (D) to Right Side Panel (B) and Left Side Panel (F).

Insert Cam Locks (I) into pre-drilled holes on Bottom Panel (A), Front Top Panel (H) and (I), Back Bottom Panel (C), Back Middle Panel (E), Back Top Panel (D).

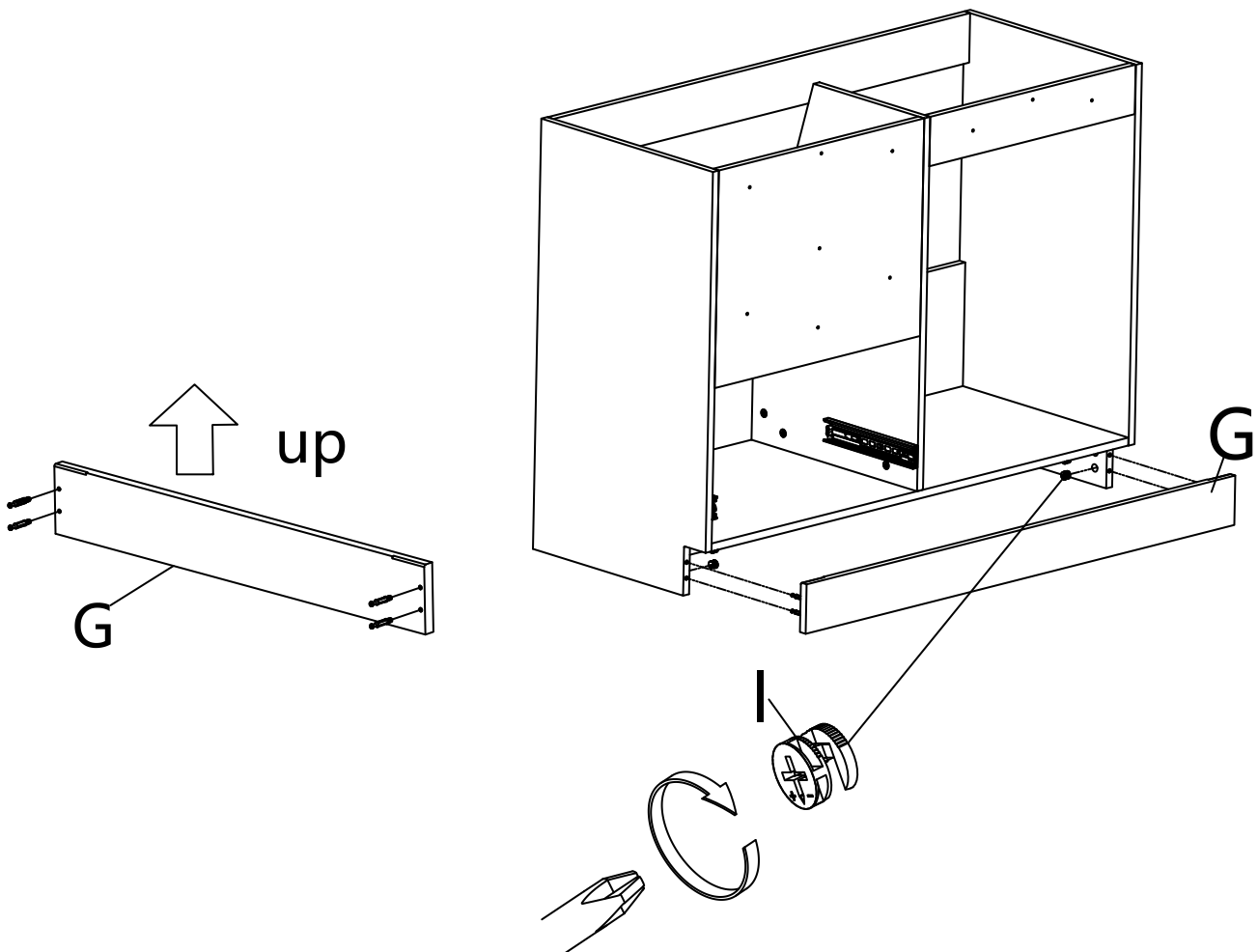
Tighten with flathead screwdriver.

ASSEMBLY

STEP 7



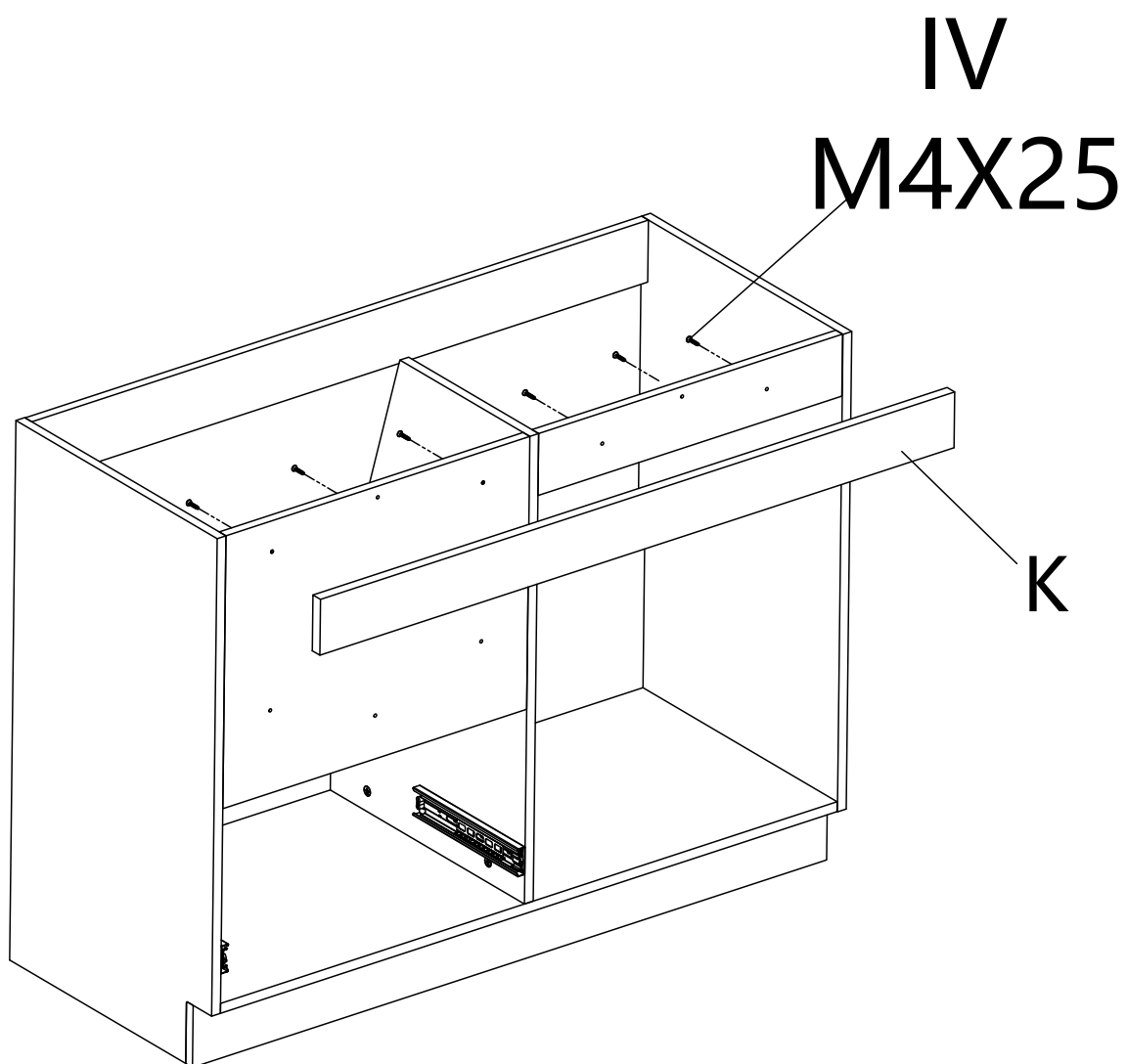
NOTE: THE SCREWDRIVER IS NOT INCLUDED IN THE HARDWARE PACK.



Screw Cam Pins (II) into the pre-drilled small holes on Kick Plate Panel (G).
Insert Cam Pins (II) into the pre-drilled holes on both Side Panels.
Insert Cam Locks (I) into pre-drilled holes on both Side Panels.
Tighten with flathead screwdriver.

ASSEMBLY

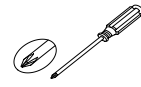
STEP 8



Let Self-Tapping Screws M4X25 go through the hole of Top Front Panel and screw into Top Panel (K).

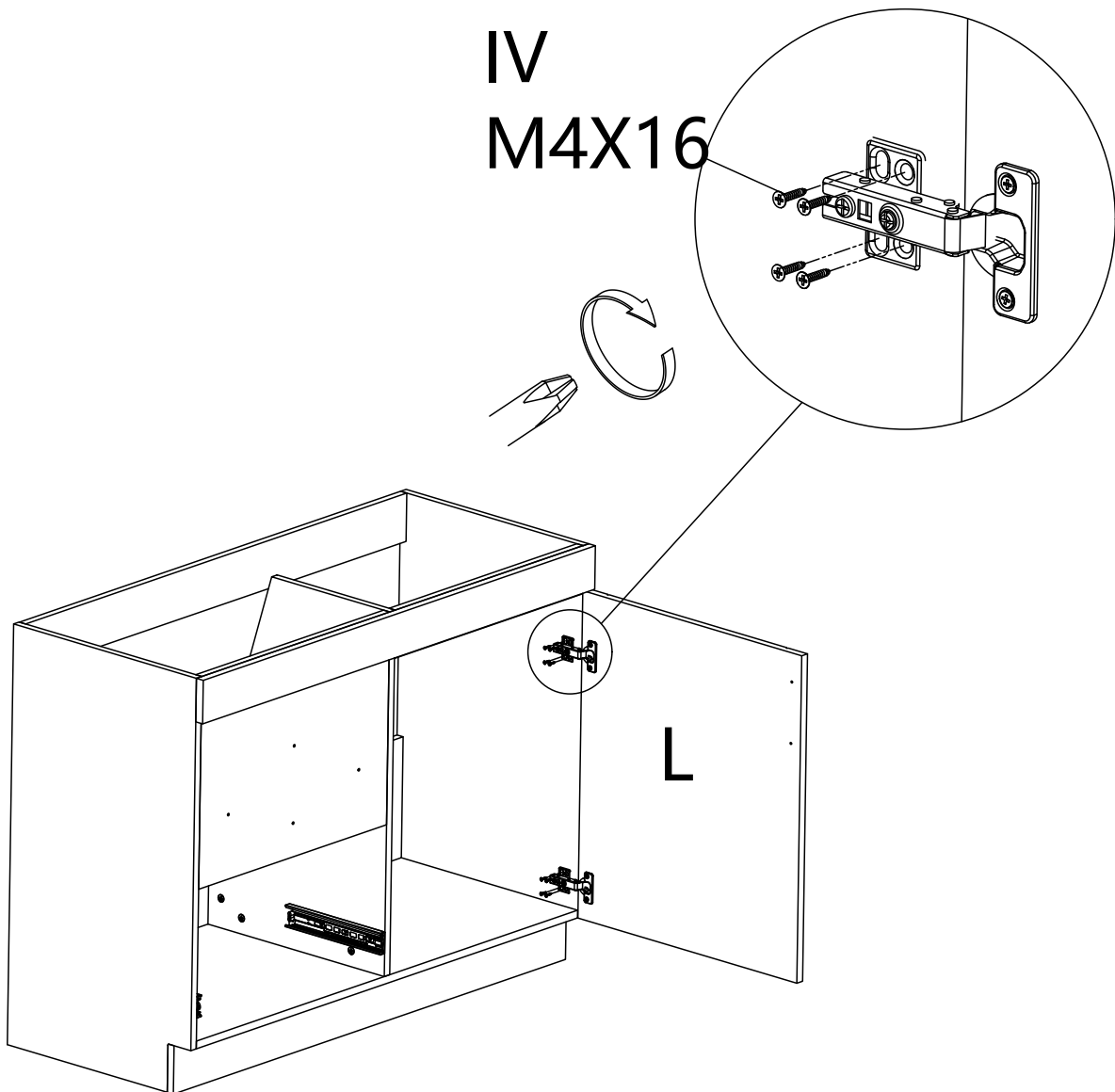
ASSEMBLY

STEP 9



NOTE: THE SCREWDRIVER IS NOT INCLUDED IN THE HARDWARE PACK.

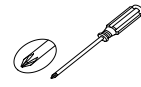
IV
M4X16



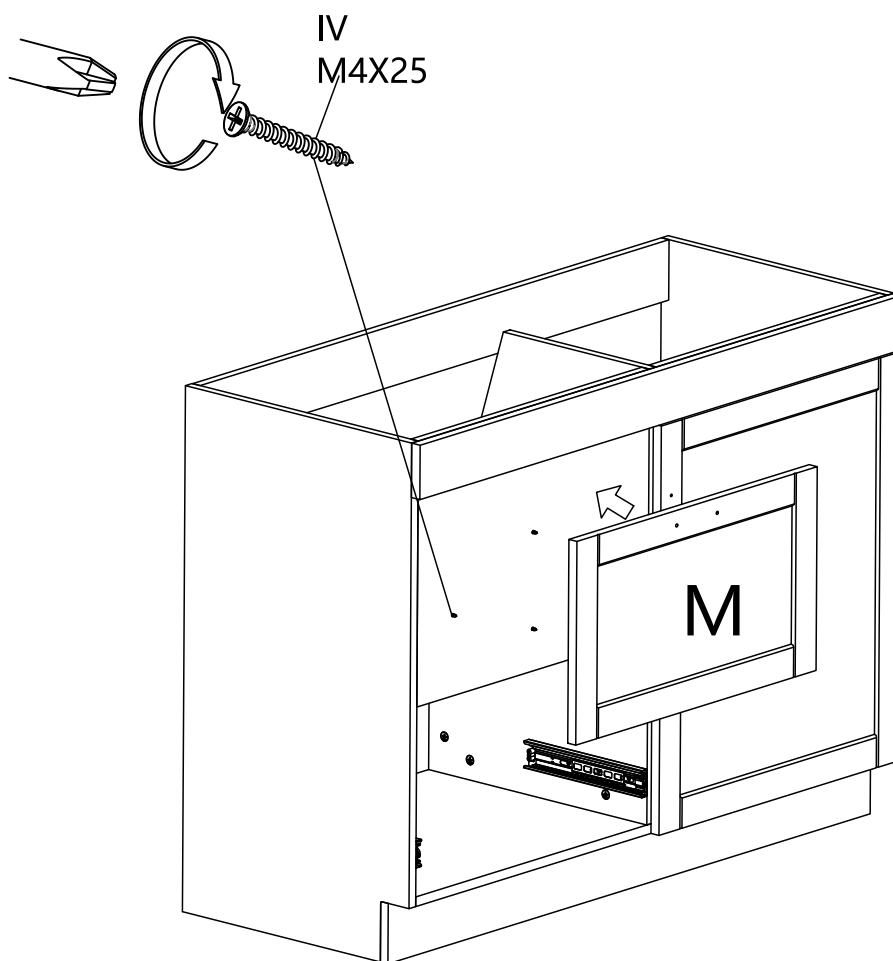
Use Phillips Screwdriver to attach the Right Door hinges with Self-Tapping Screw (IV) M4x16.
Use Phillips Screwdriver to attach the Left Door hinges with Self-Tapping Screw (IV) M4x16.

ASSEMBLY

STEP 10



NOTE: THE SCREWDRIVER IS NOT INCLUDED IN THE HARDWARE PACK.



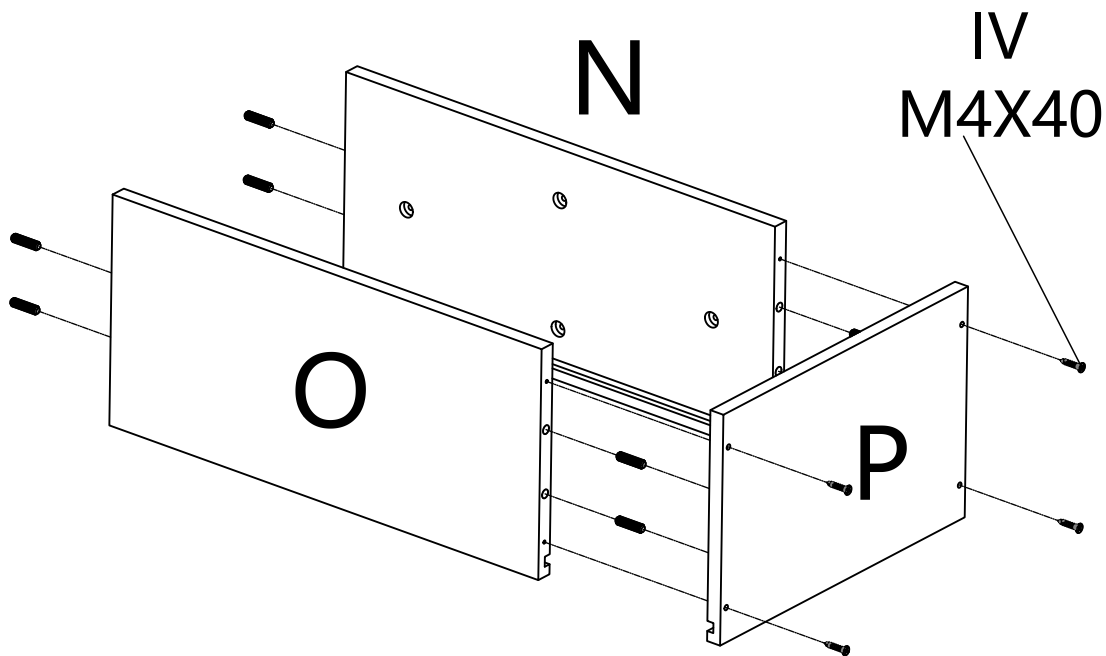
Let Self-Tapping Screws M4x25 go through the hole of Top Front Panel and screw into the Drawer Panel (M).

ASSEMBLY

STEP 11



NOTE: THE SCREWDRIVER IS NOT INCLUDED IN THE HARDWARE PACK.



Insert Dowels into the holes of Drawer Front (N) and Drawer Back (O).

Attach Drawer Left (P) to Drawer Front (N) and Drawer Back (O).

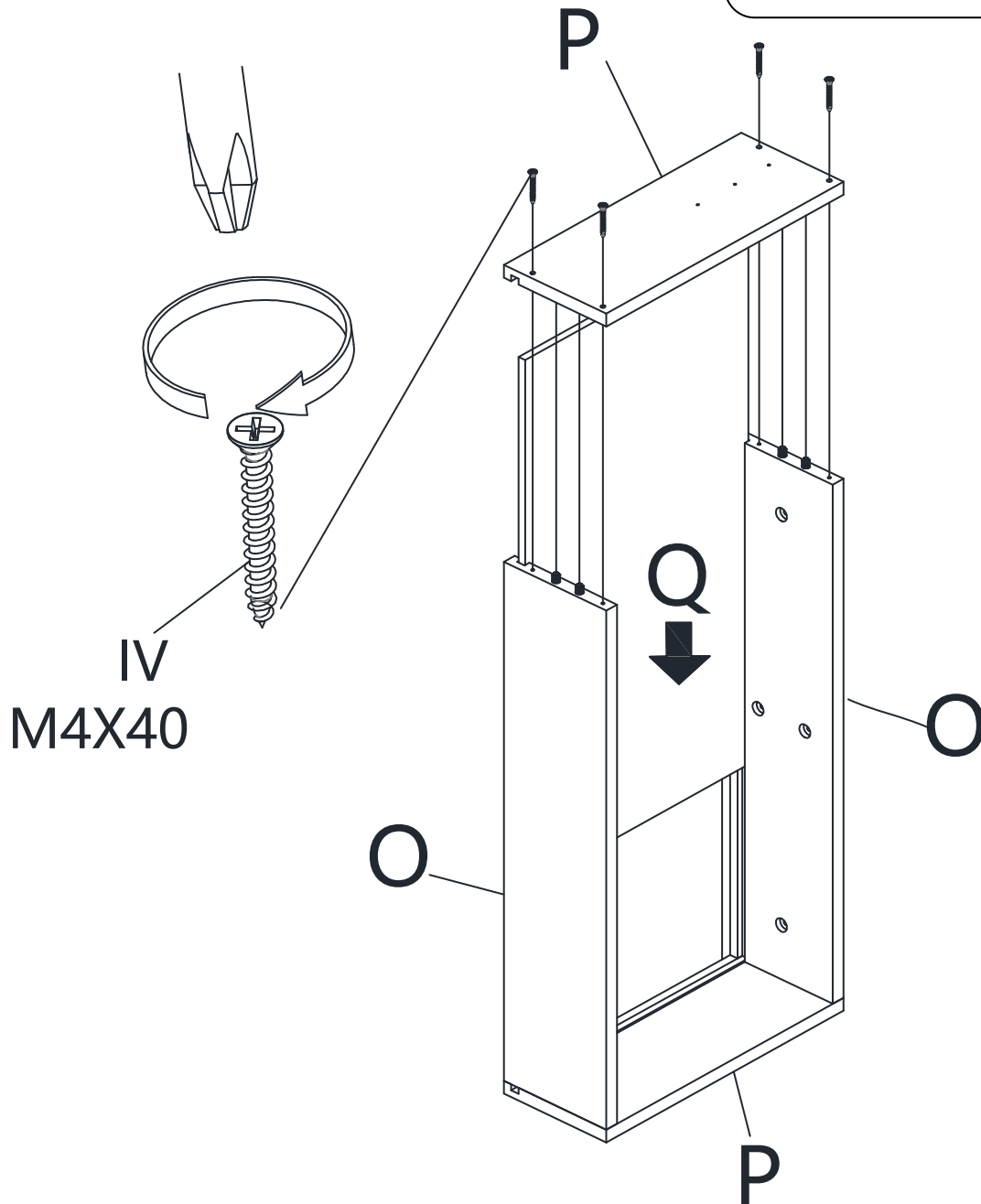
Use Phillips Screwdriver to attach the Drawer Left (P) with Self-Tapping Screw (IV) M4x40.

ASSEMBLY

STEP 12



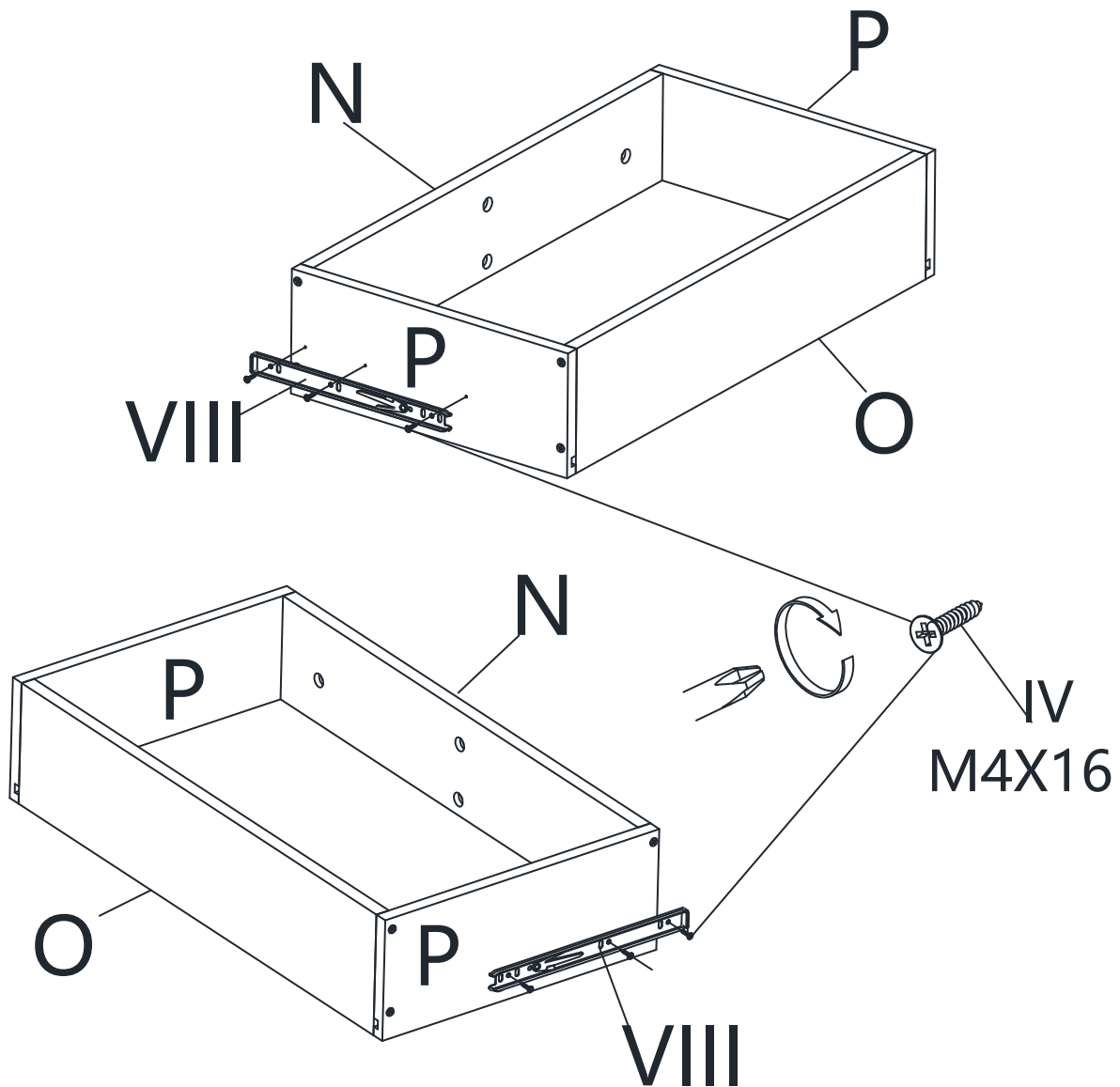
NOTE: THE SCREWDRIVER IS NOT INCLUDED IN THE HARDWARE PACK.



Put the Drawer Bottom into the slot of the Drawer Front (M), Drawer Back (O) and Drawer Left (P). Attach Drawer Right (P) to Drawer Front (M) and Drawer Back (O). Use Phillips Screwdriver to attach the Drawer Right (P) with Self-Tapping Screw (IV) M4x40.

ASSEMBLY

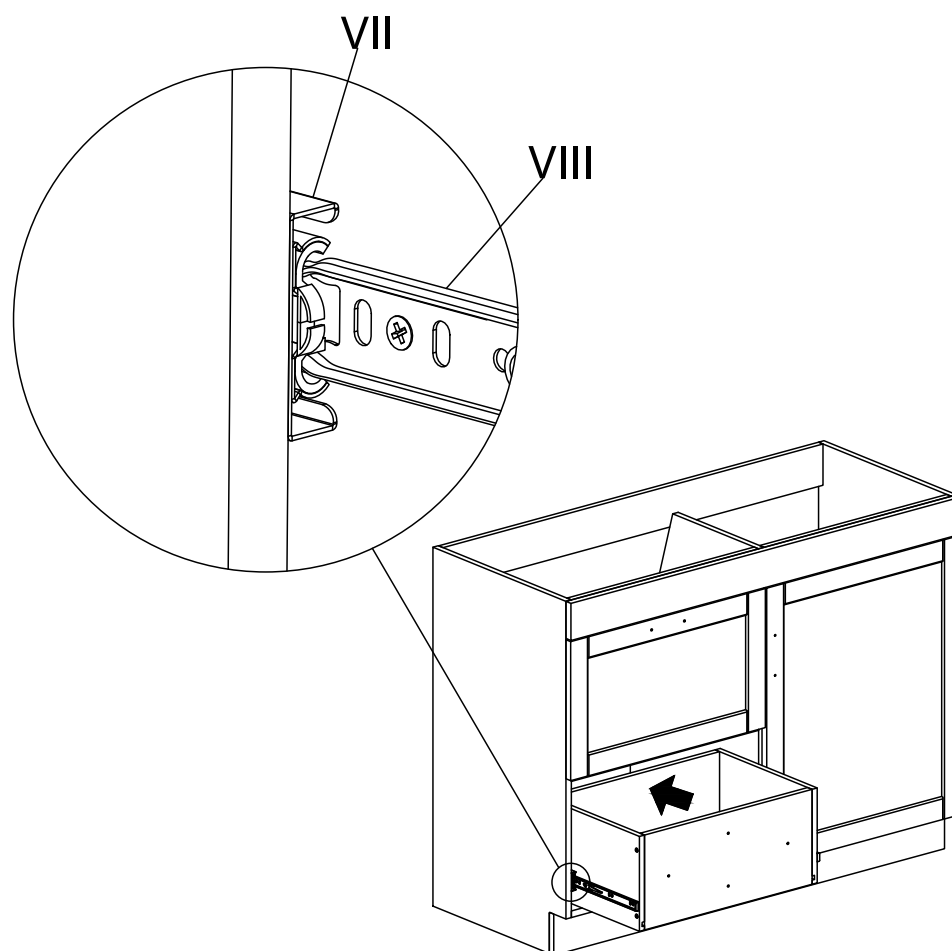
STEP 13



Use Phillips Screwdriver to attach the Slide Rail (VIII) with Self-Tapping Screw (IV) M4x40 and screw Self-Tapping Screw (IV) M4x16 into the holes of Drawer Left (P) and Drawer Right (P).

ASSEMBLY

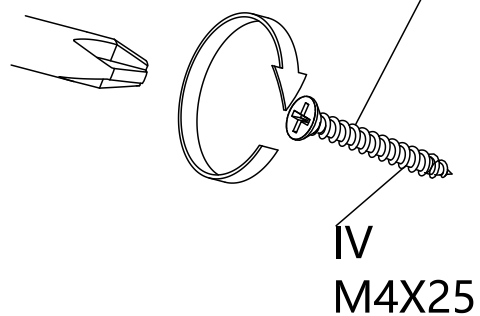
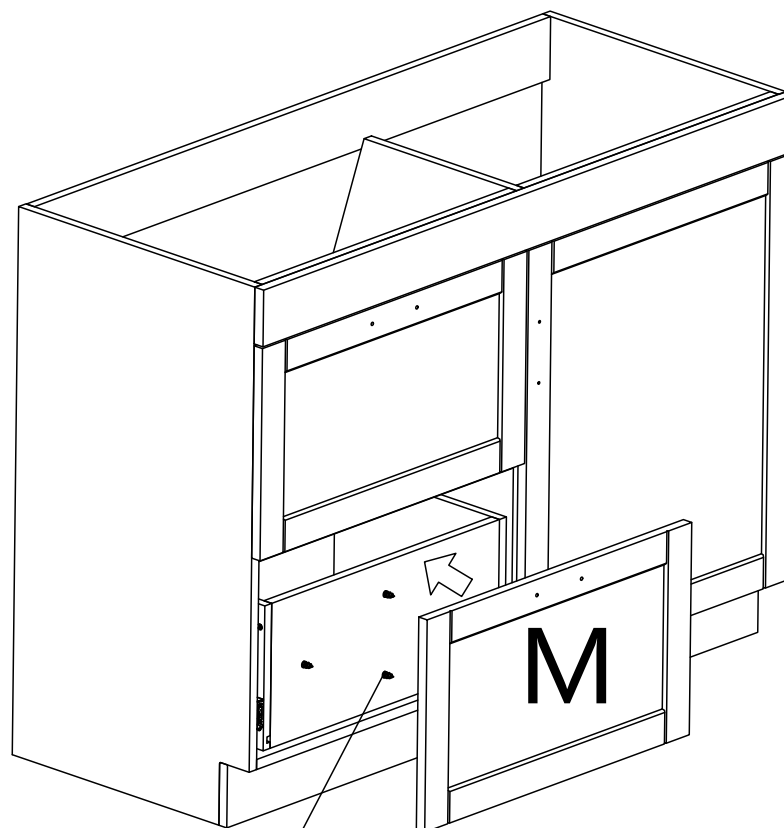
STEP 14



Place the Drawer into the cabinet.

ASSEMBLY

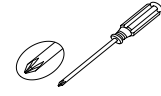
STEP15



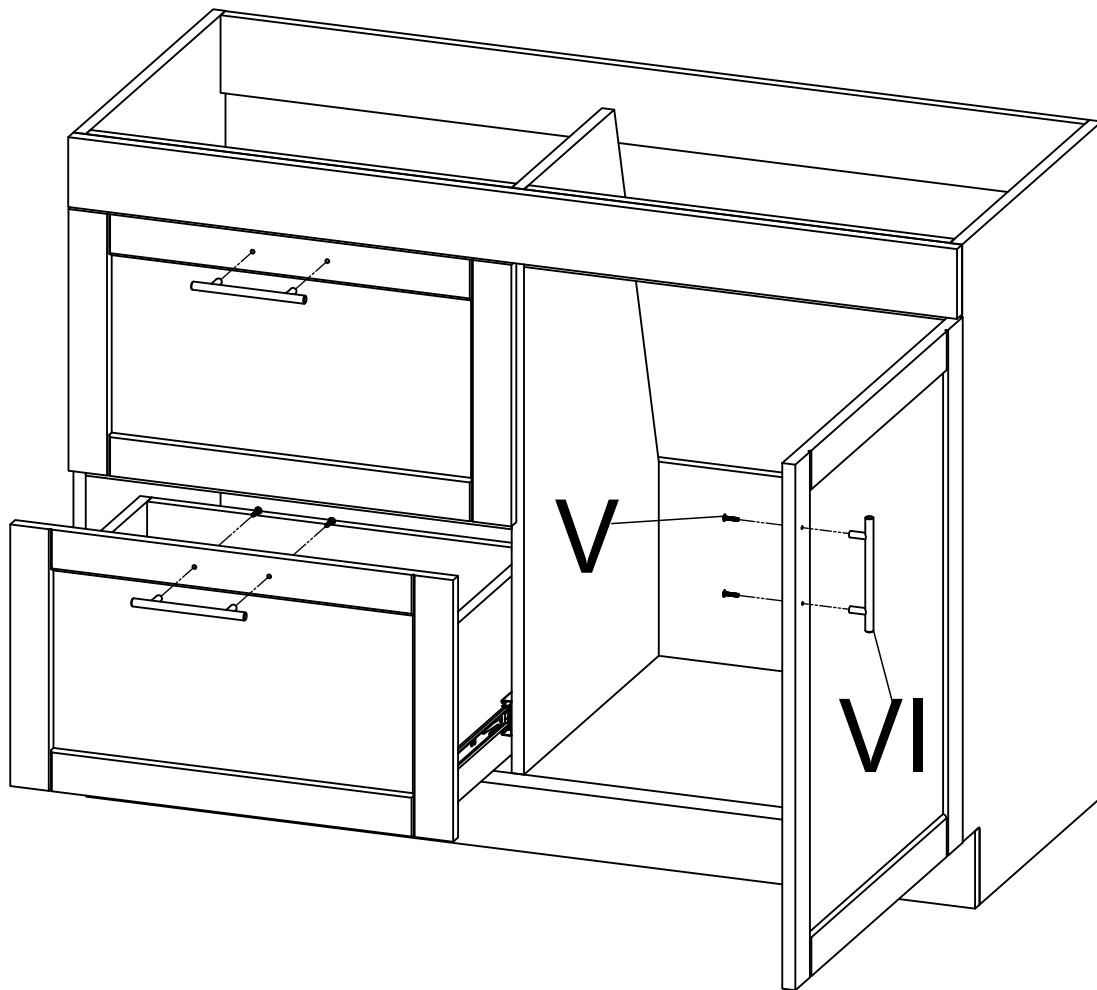
Let Self-Tapping Screws M4X25 go through the hole of Drawer Front and screw into Drawer Panel (M).

ASSEMBLY

STEP 16



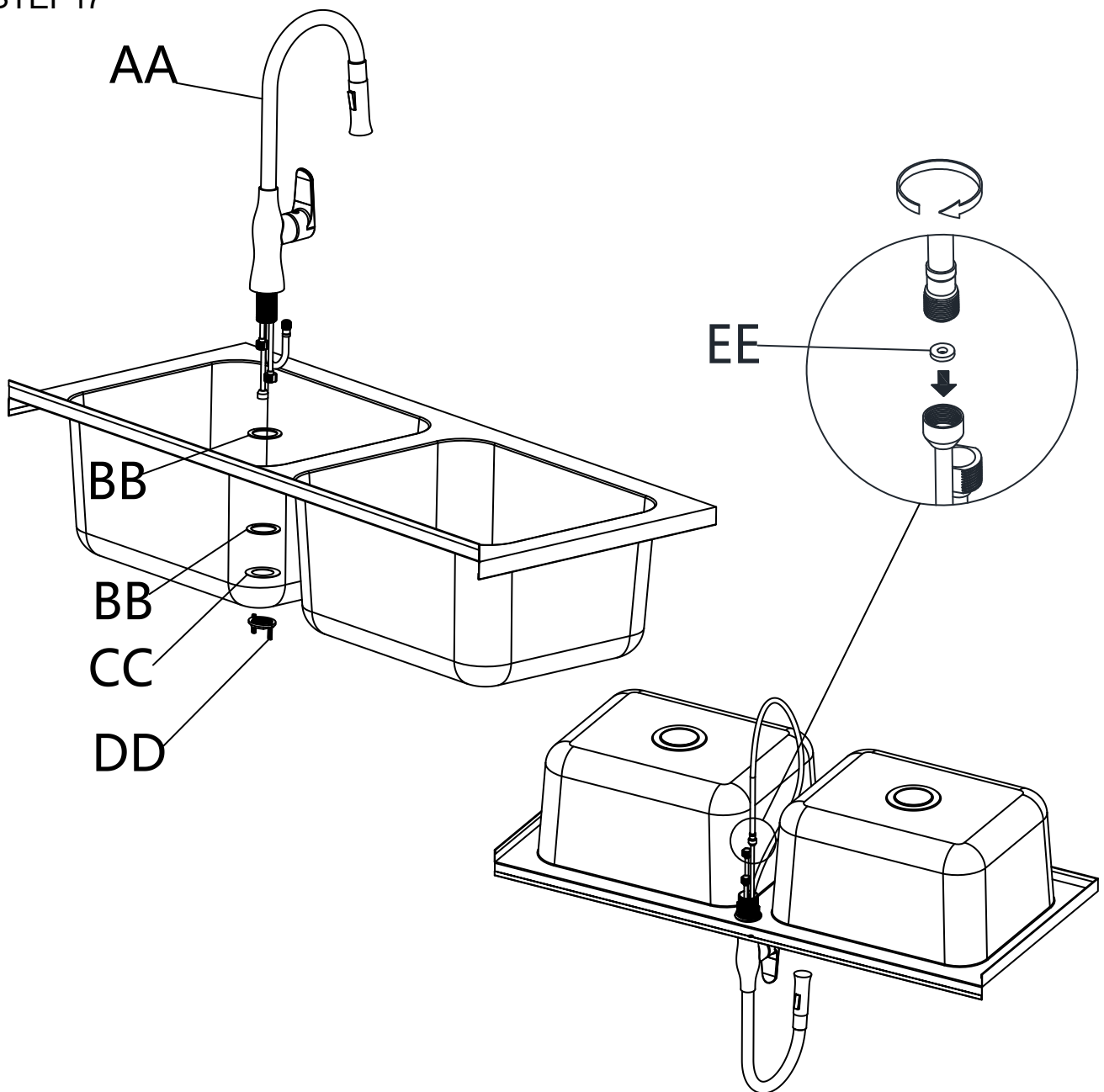
NOTE: THE SCREWDRIVER IS NOT INCLUDED IN THE HARDWARE PACK.



Use Phillips Screwdriver to screw the Handle (VI) with Pan Head Philips Screws (V) M4x30.

ASSEMBLY

STEP17



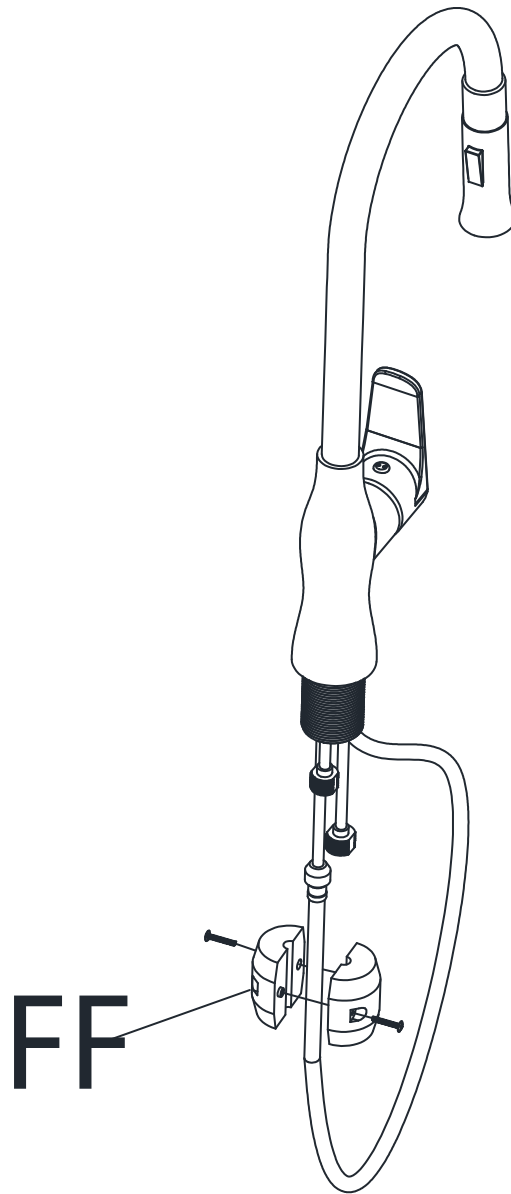
Place a Rubber Washer (BB) onto the end of the Faucet (AA) and insert the Faucet through the top of the Sink (R).

From underneath the Sink (R), secure the Faucet (AA) to the Sink (R) using a Rubber Washer (BB), Steel Washer (CC) and Brass Nut Assembly (DD).

Insert Faucet Sealing Ring (EE) into hole of the pipe and screw hose pipe into it.

ASSEMBLY

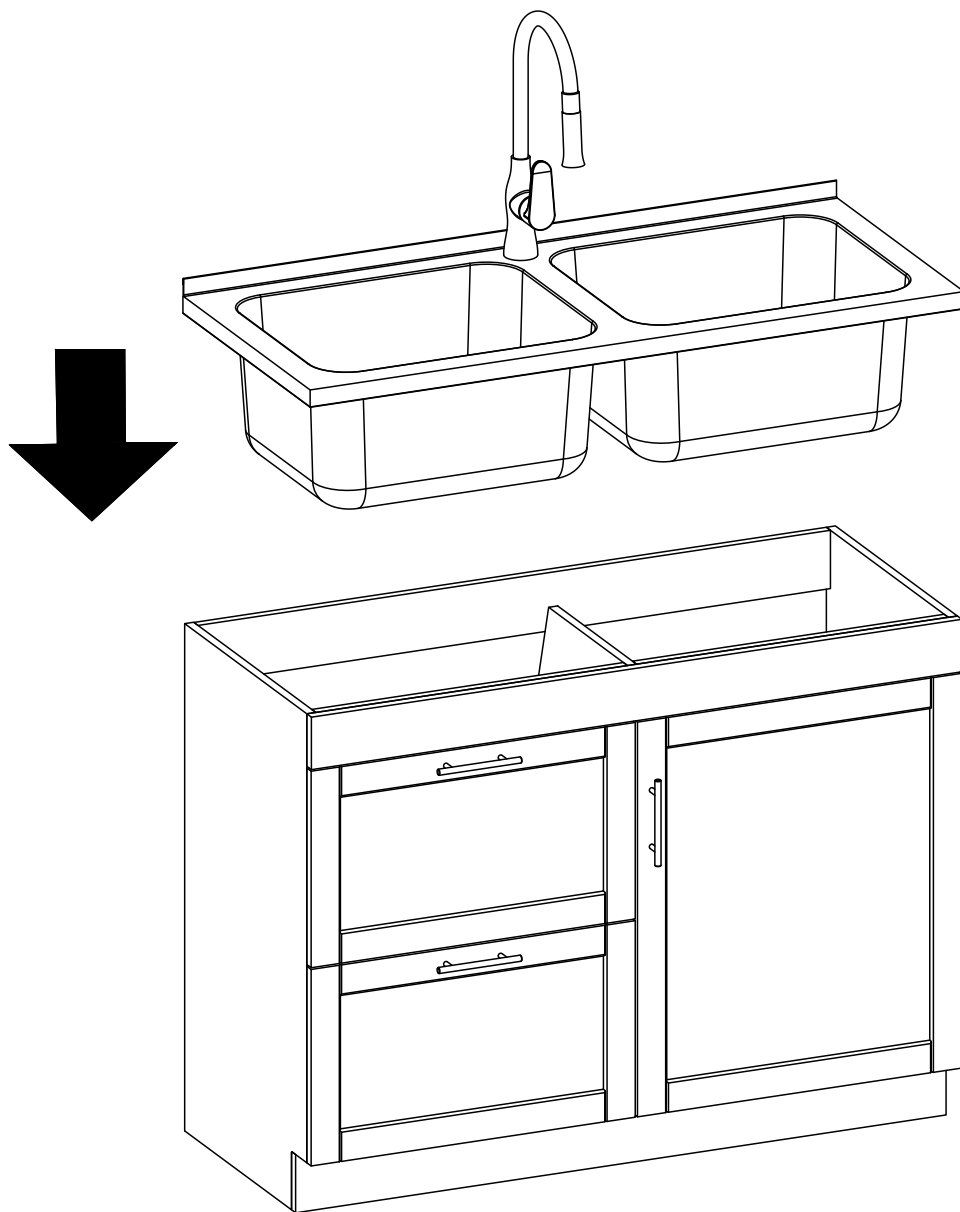
STEP18



Attach the Weight Block (FF) to the pipe and screw together.

ASSEMBLY

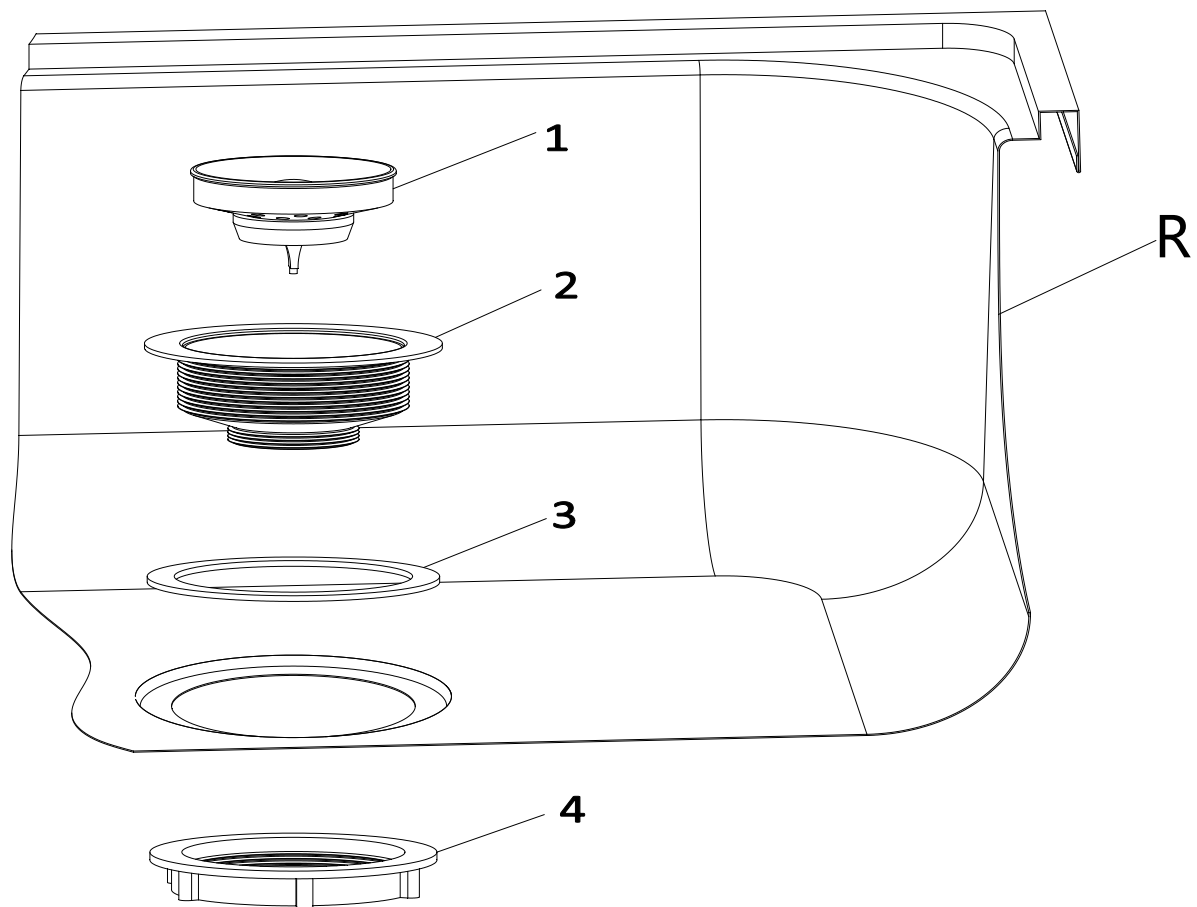
STEP19



Place the Sink (R) with the attached Faucet (AA) on top of the cabinet.

ASSEMBLY

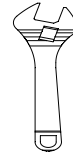
STEP 20



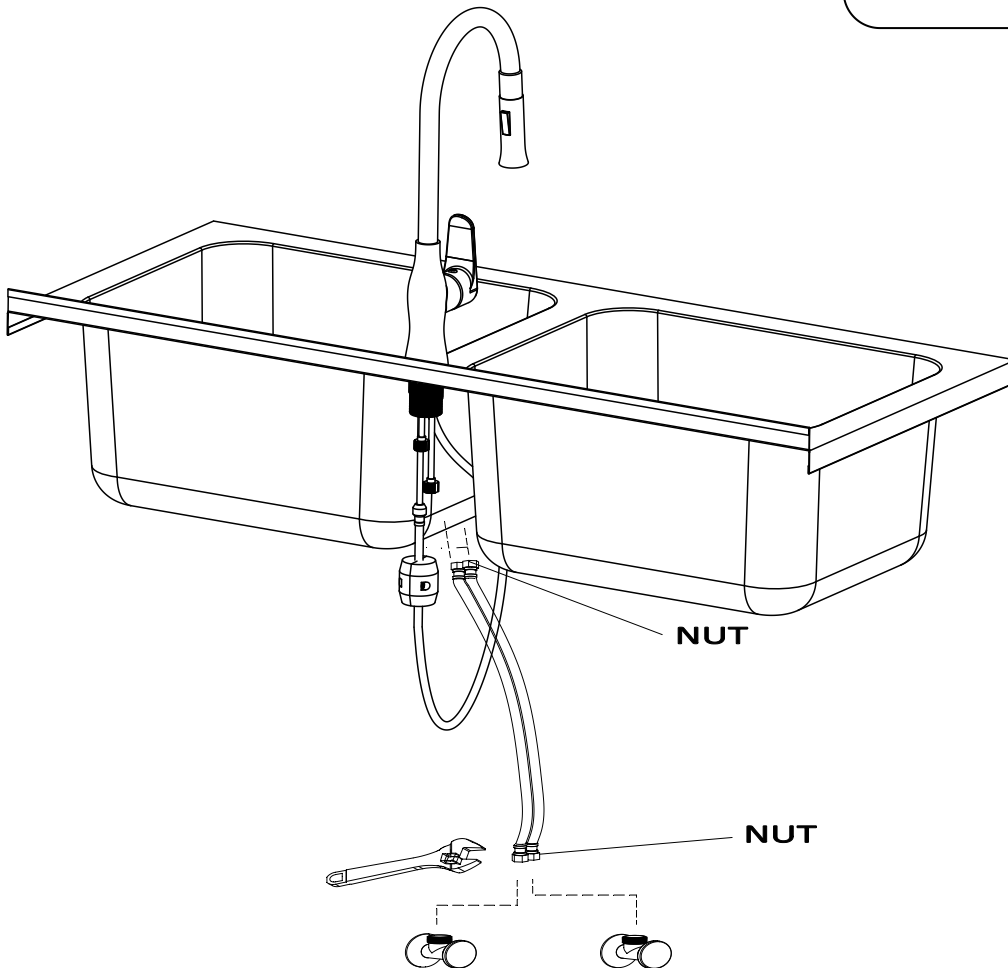
Put the Drain Washer (3) on the top of the drain opening in the Sink (R).
Put the Drain Bowl (2) on the Drain Washer (3) through the drain opening.
From underneath the sink fasten the Threaded Washer (4) onto the Drain Bowl (2) and tighten.
Insert the Drain Plug (1) into the Drain Bowl (2).

ASSEMBLY

STEP 21



NOTE: THE ADJUSTABLE WRENCH IS NOT INCLUDED IN THE HARDWARE PACK.



Fasten the nuts of the hoses (not included in package) to the nut ends of the faucet body.

Fasten the nuts of the hoses (not included in package) to the water outlet:

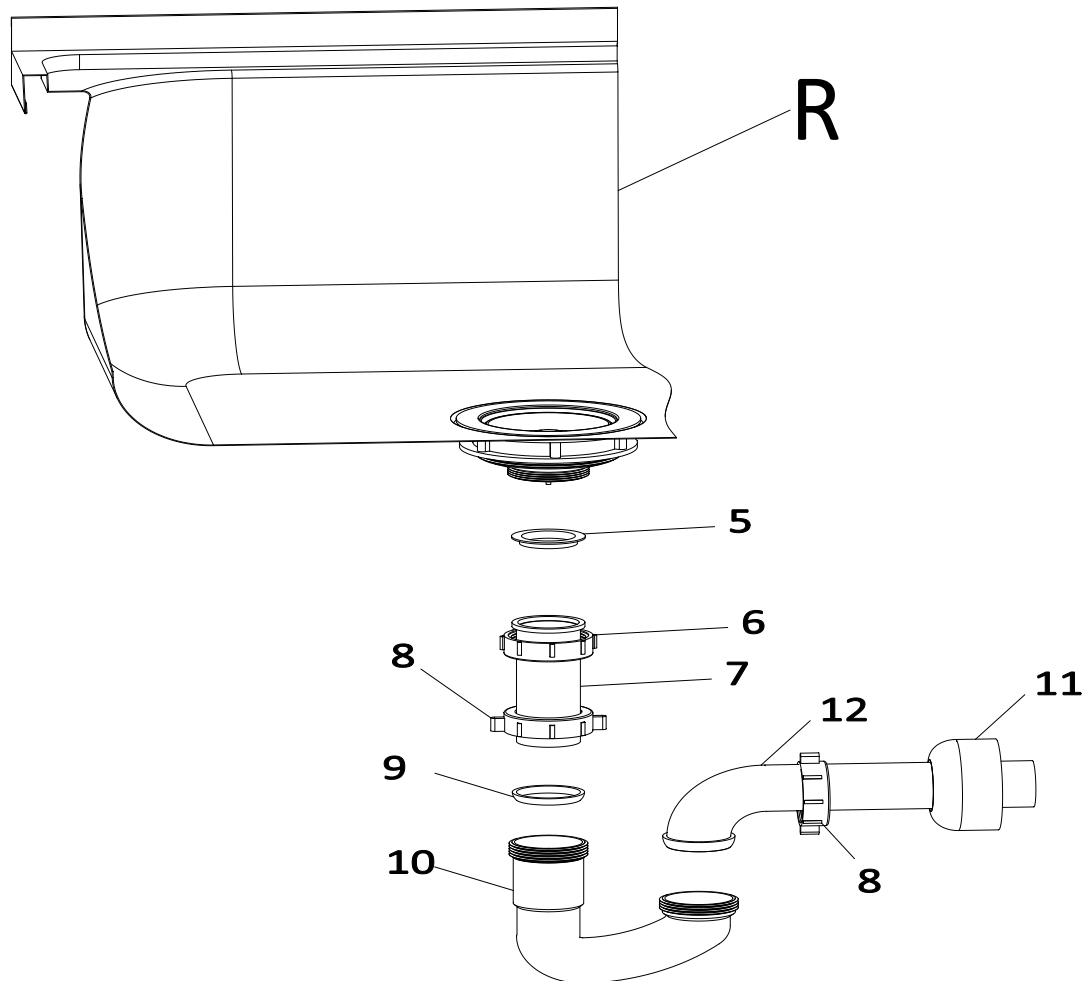
- Red striped hose to Hot water supply
- Blue striped hose to Cold water supply

Ensure to only tighten the nut and not twist the supply hose.

Leakage may occur if hoses are twisted.

ASSEMBLY

STEP22



Put a Pipe Washer (5) onto the Straight Drain Pipe (7).

Connect the Straight Drain Pipe (7) to the drain and fasten the Coupling (6).

Put the Coupling (8) into the Straight Drain Pipe (7) and put a Pipe Washer (9) into the Straight Drain Pipe (7).

Connect the Drain Channel (10) to the Straight Drain Pipe (7) and fasten with the Coupling (8).

On the Drain Channel (10), wrap teflon tape (not included) around the threaded end that connects to the Outer Drain Channel (12).

Connect the Outer Drain Channel (12) to the Drain Channel (10) and fasten with the Coupling (8).

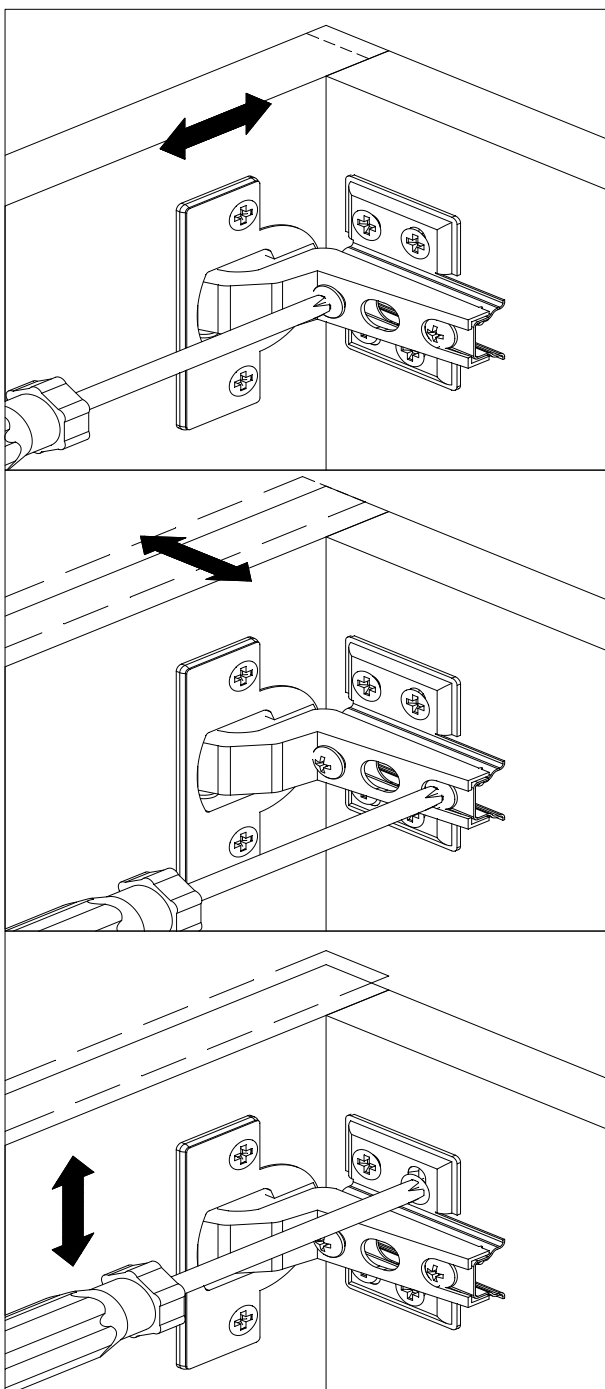
Insert the Outer Drain Channel (12) into the Drain Channel (10) and cover with the Pipe Cover (11).

ASSEMBLY

STEP 23



NOTE: THE SCREWDRIVER IS NOT INCLUDED IN THE HARDWARE PACK.



Use a Phillips screwdriver to re-align or adjust the hinges that attach the doors to the cabinet.

WARRANTY

Thank you for purchasing our product.

These products have been made to demanding, high-quality standards and are guaranteed for domestic use against manufacturing faults for a period of 12 months from the date of purchase. This warranty does not affect your statutory rights.

In case of any malfunction of your product (failure, missing parts, etc.) please contact us at our toll free service line or by email

We reserve the right to repair or replace the defective product, at its discretion.

This product is guaranteed for 12 months if used for normal purposes. Any warranty is invalid if the product has been overloaded or subject to neglect, improper use or an attempted repair by other than an authorized agent. Heavy-duty or daily professional/commercial usage are not guaranteed.

Due to continuous product improvement, we reserve the right to change the product specifications without prior notice.