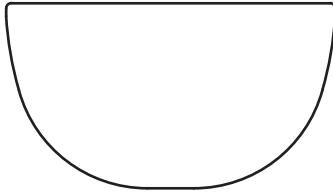
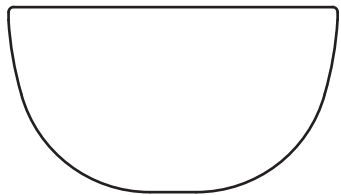


# Instruction Manual

## Wall Sconce



## PACKAGE CONTENTS

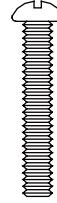


————— A

PART	DESCRIPTION	QUANTITY
A	Fixture	1

## HARDWARE CONTENTS(shown actual size)

AA



Long  
monting x 2  
screw

BB



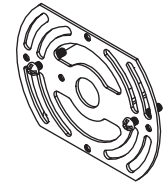
Wire nut x 3

CC



Long  
monting x 2  
screw

DD



Mounting plate  
(Not actual size) x 1

## ! SAFETY INFORMATION

Please read and understand this entire manual before attempting to assemble, operate or install the product.

## ! WARNING

- TURN OFF ELECTRICITY at main fuse box (or circuit breaker box) before beginning installation by removing fuse (or switching off circuit breaker).
- MINIMUM 90°C SUPPLY CONDUCTORS.

## PREPARATION

Before beginning assembly of product, make sure all parts are present. Compare parts with package contents list and hardware contents list. If any part is missing or damaged, do not attempt to assemble the product.

**Estimated Assembly Times: 25 minutes**

Tools Required for Assembly (not included): Flathead screwdriver , Phillips screwdriver, Pliers, Electrical tape, Wire cutters, Safety glasses.

Helpful Tools (not included): Wire strippers, Step ladder.

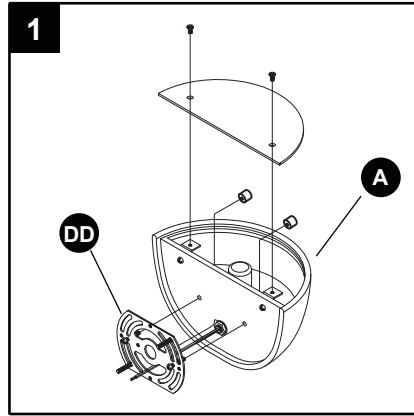
**Customer Service: [service@24h-reply.com](mailto:service@24h-reply.com)**

## ASSEMBLY INSTRUCTIONS

1. As shown in the picture on the right, disassemble the light fixture (A) and detach the mounting plate (DD) from the lamp body.

### Hardware Used

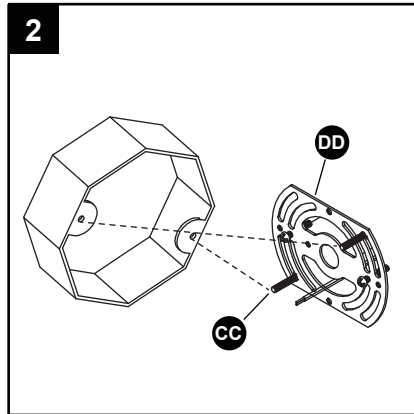
- DD** Mounting plate x 1



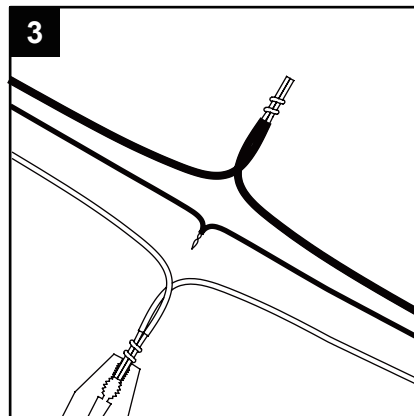
2. Attach the mounting plate (DD) to the outlet box (not included) with the long mounting screws (CC).

### Hardware Used

- CC** Long mounting screw x 2  
**DD** Mounting plate x 1



3. Strip 3/4 in. of insulation from wire ends. Twist stripped ends together with pliers (not included), black to black (power) and white to white (neutral). Attach copper wire to ground wire. Helpful hint: If necessary, attach copper ground wire to grounded outlet box.

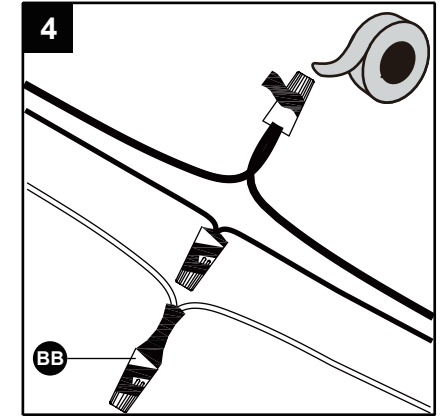


## ASSEMBLY INSTRUCTIONS

4. Attach wire nuts (BB). Tape wire nuts (BB) and wires together.

### Hardware Used

- BB** Wire nut x 3



5. Align the 2 screws (AA) through the holes of the back plate, and fix them with screw nuts.

Install a G9 bulb, then reattach the diffuser and secure it with screws..

