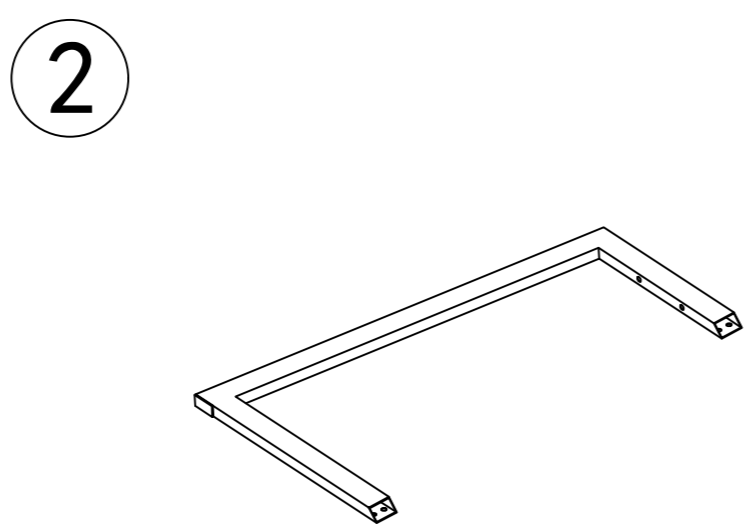
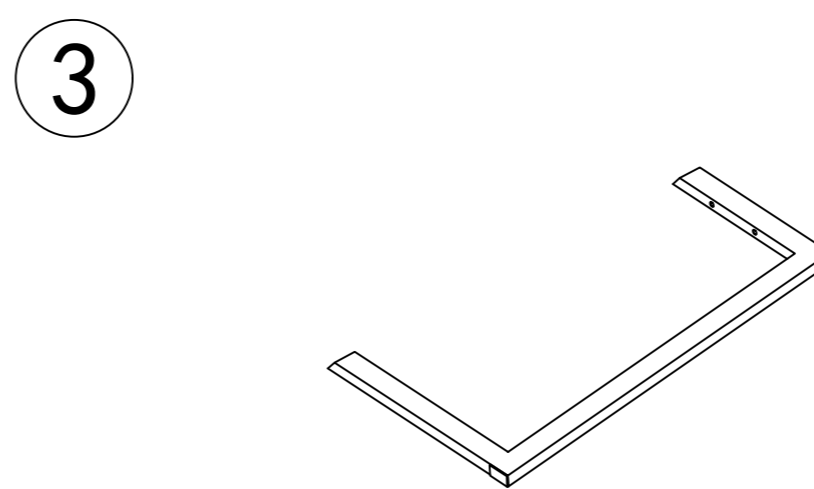


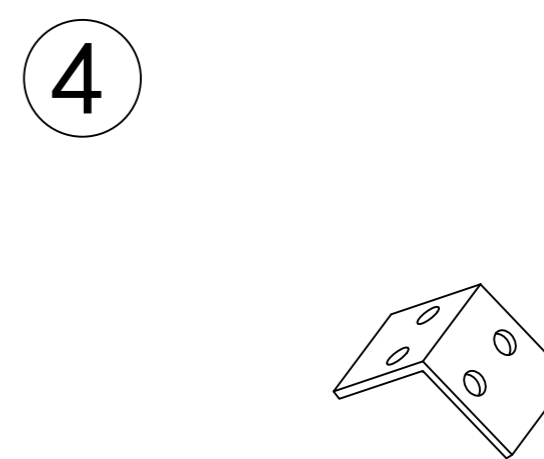
x1



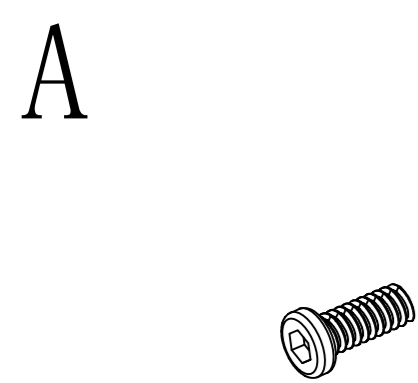
x2



x2

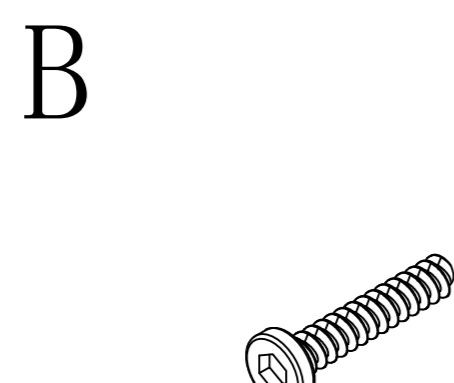


x4

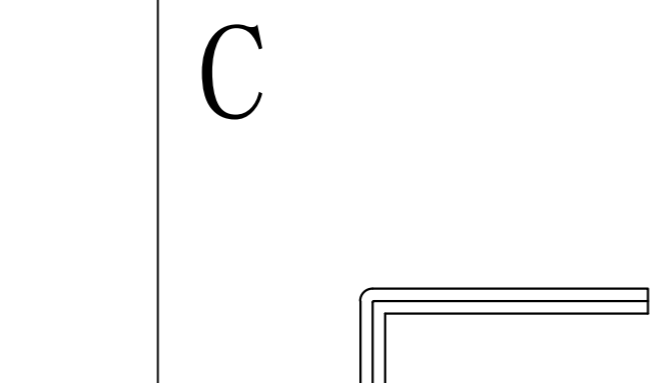


M6x13

x16



M8\*55



X8 M5

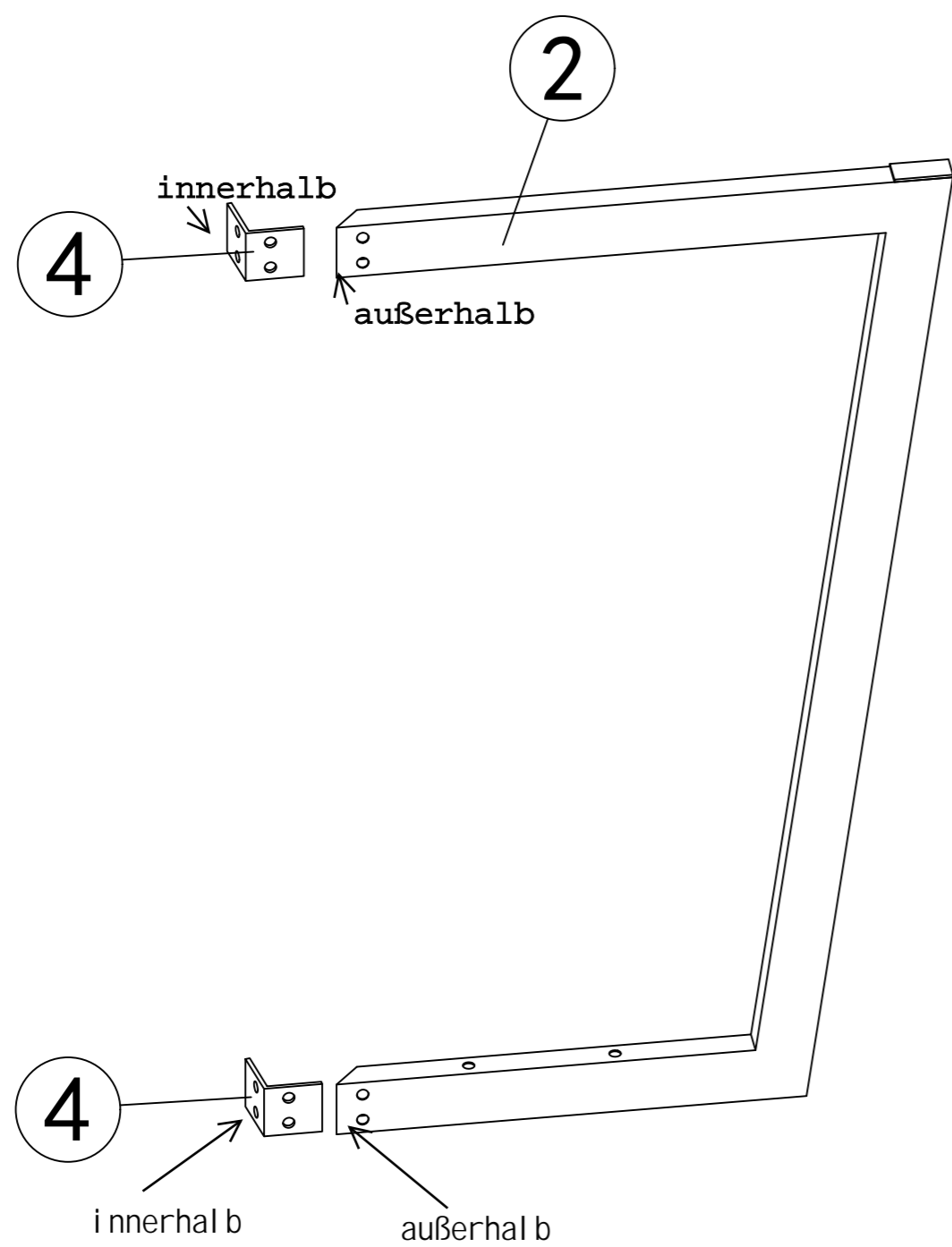
x1

D

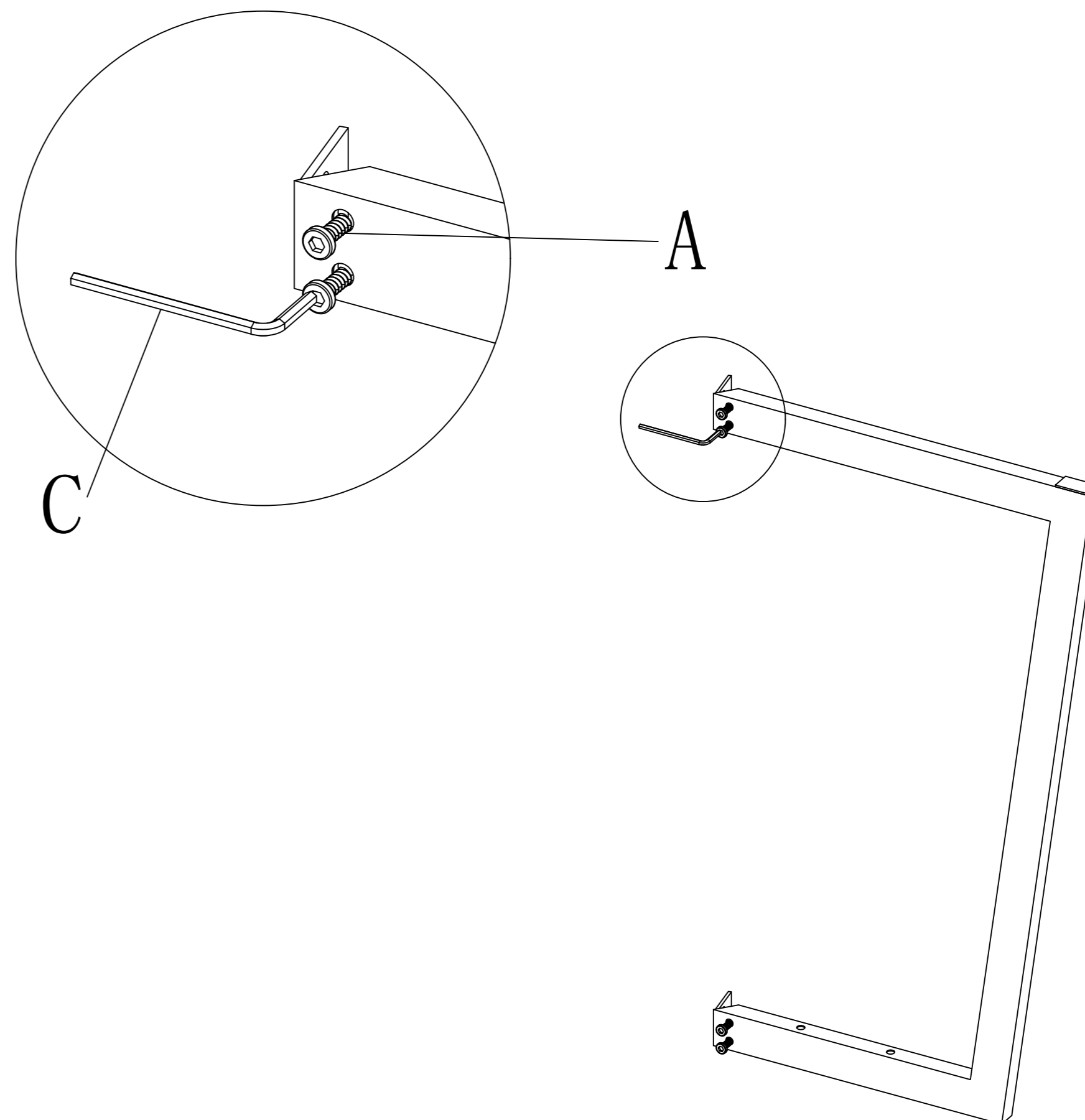
E

F

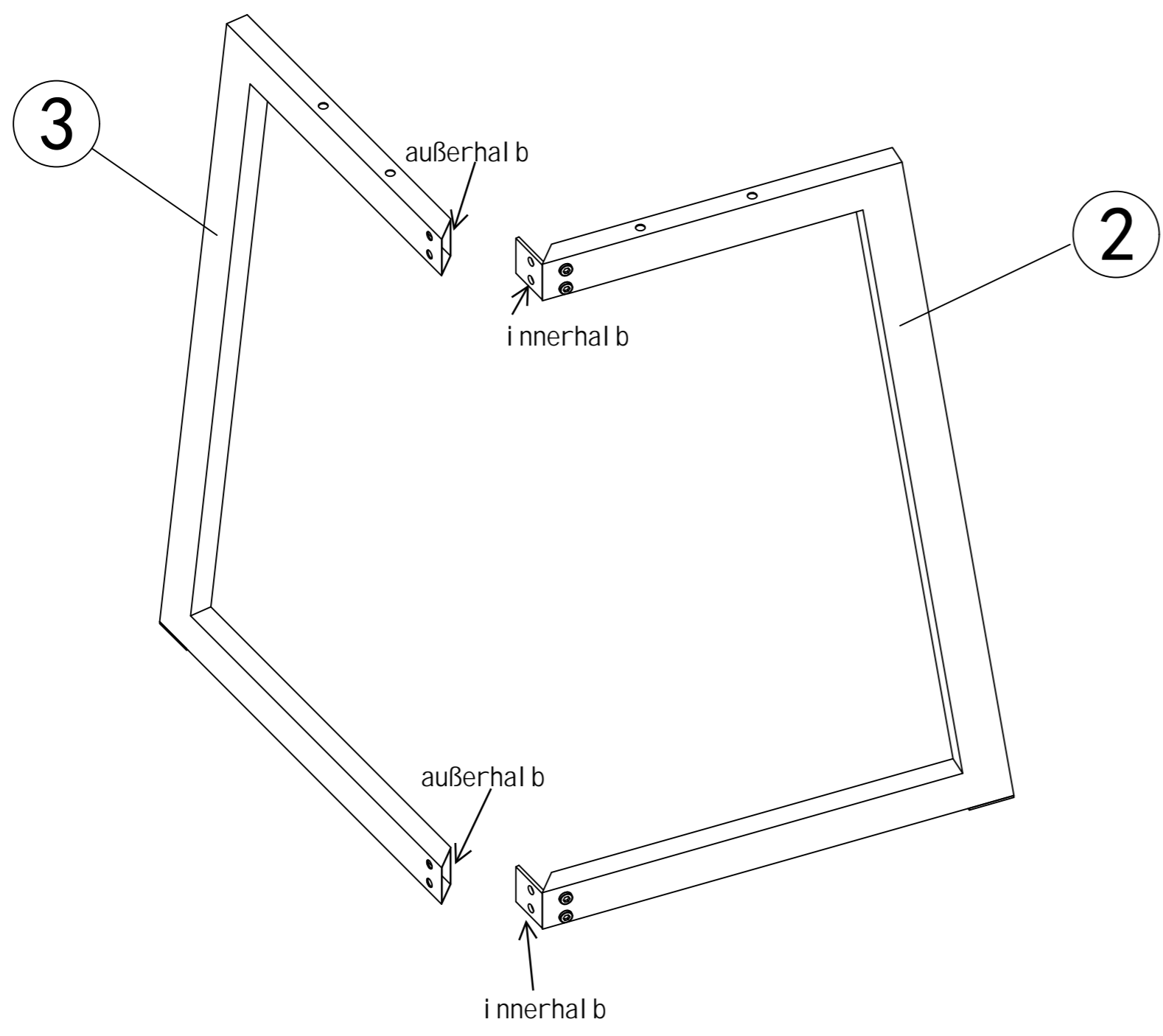
### STEP 1



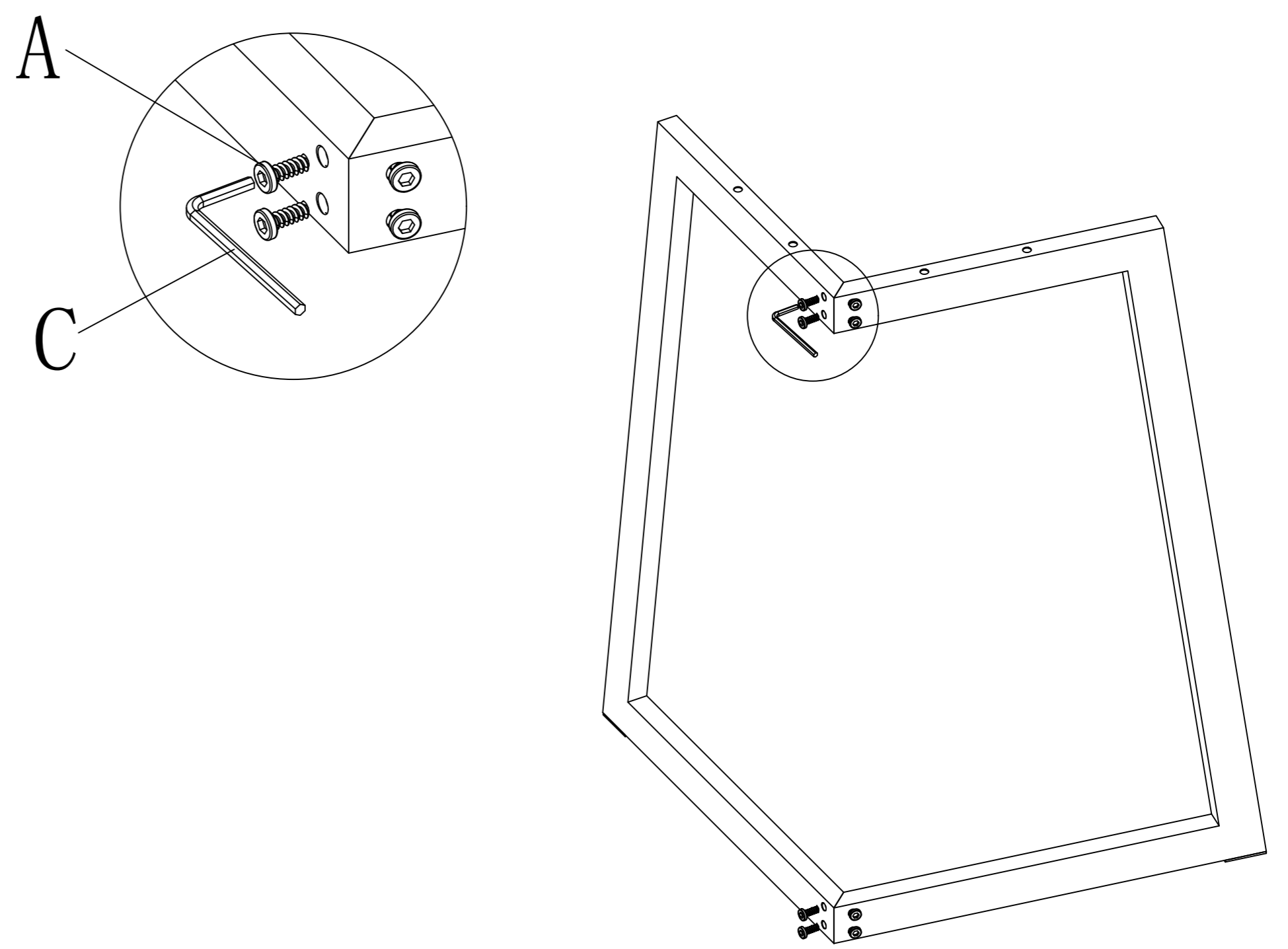
### STEP 2



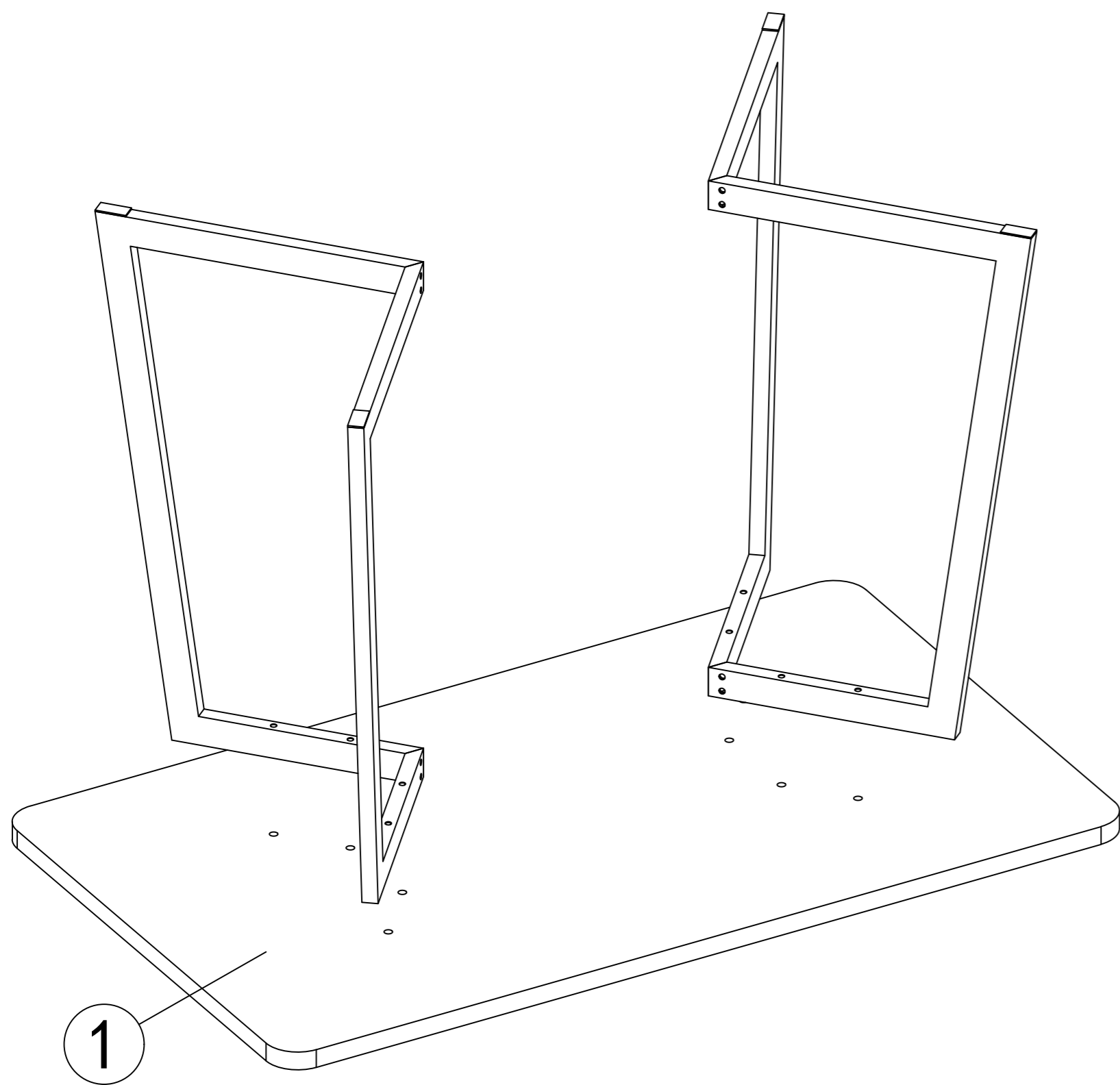
### STEP 3



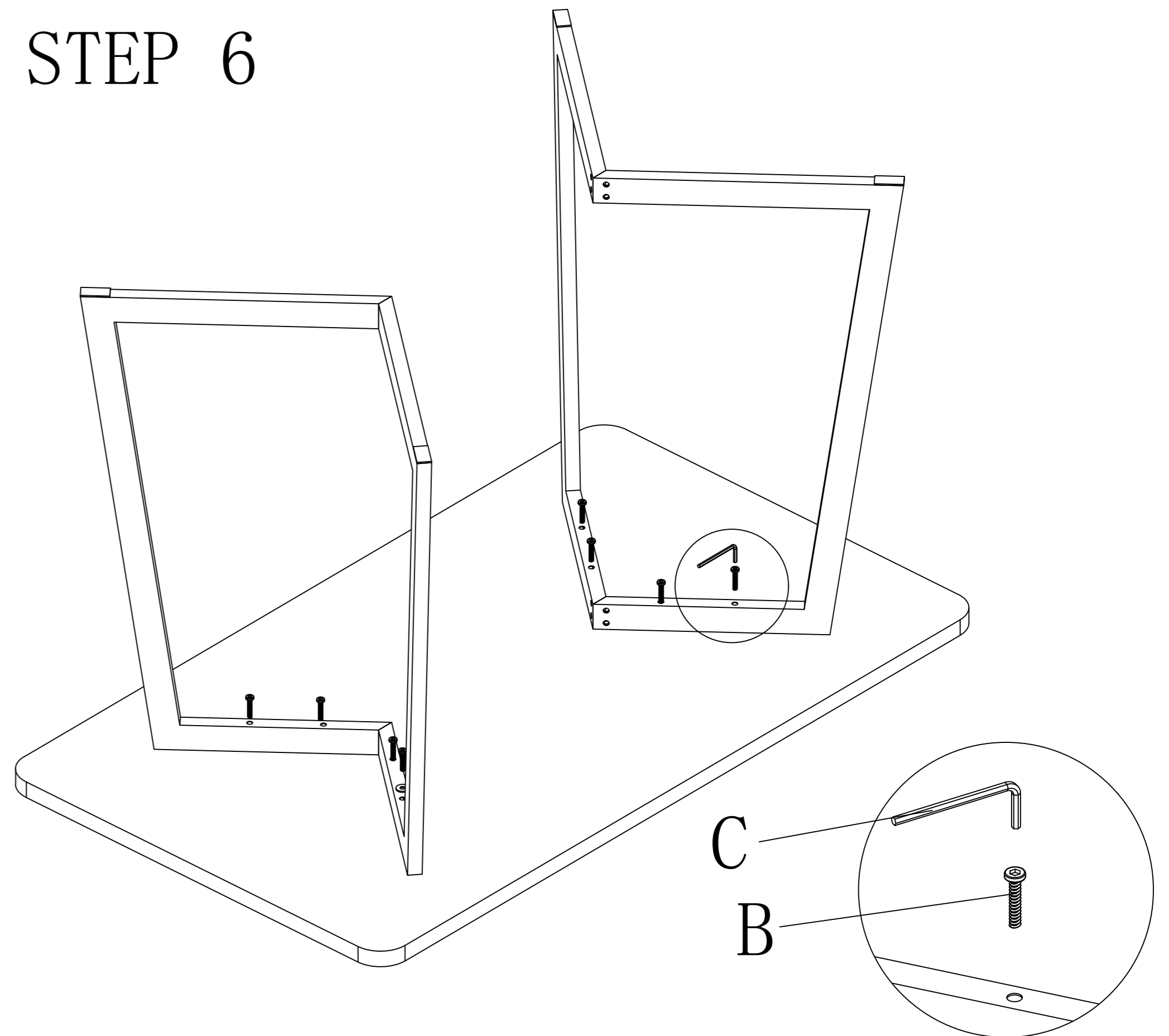
### STEP 4



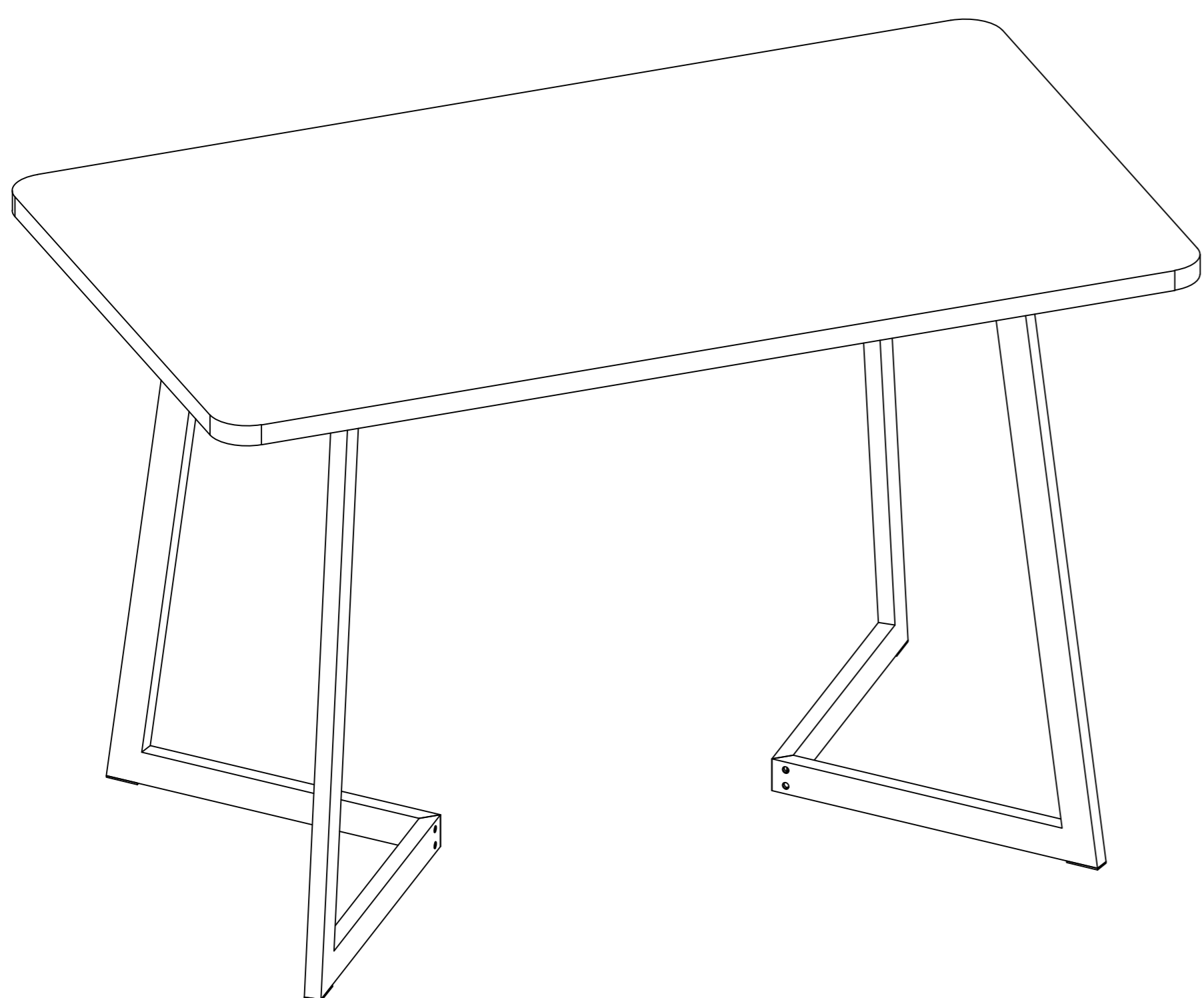
### STEP 5



### STEP 6






### STEP 7



# LIST OF ACCESSORIES

2

A	 M6 5 PCS (Sparen 1)	C	 1pc		
B	 φ6 5 PCS (Sparen 1)				

# ASSEMBLING STEPS

1

