

Toilet Safety Frame

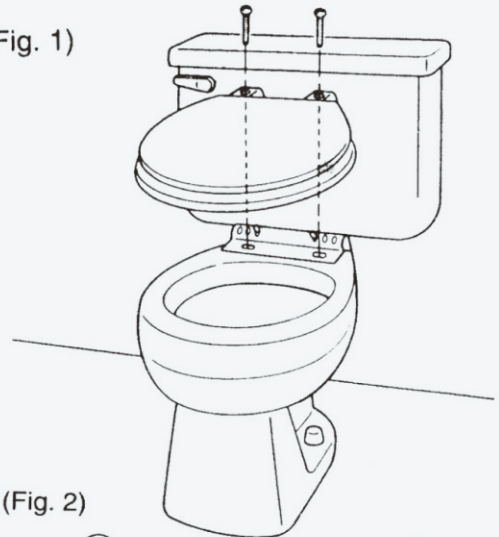
installation instructions

WEIGHT LIMIT 300 LBS

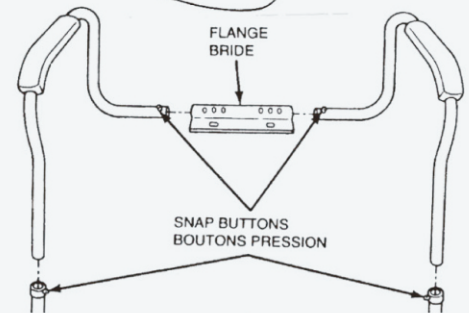
1. Detach seat by first removing toilet seat bolts
2. Place the rail mounting flange on the toilet and align the holes
3. Place toilet seat and align holes. (Fig 1)
4. Realign bolts and tighten securely.
5. Slide assist rails into Flange Bride and secure them with built-in snap buttons. (Fig 2)
6. Set rail to desired width and height using the built-in snap buttons. Make sure all built-in snap buttons are secured before use of product.



(Fig. 1)



(Fig. 2)



(Fig. 3)

