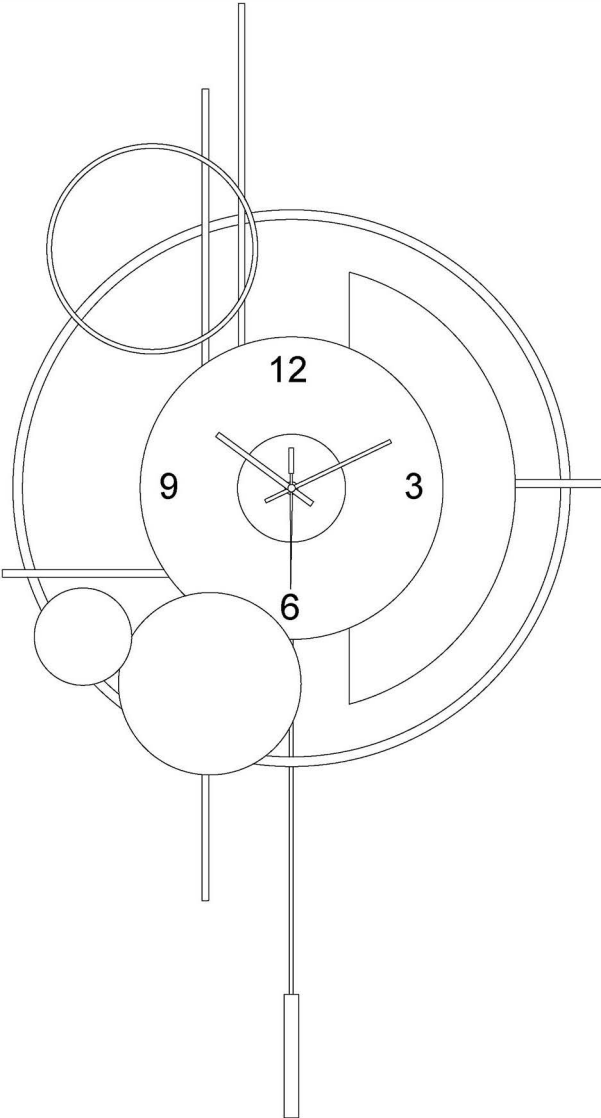


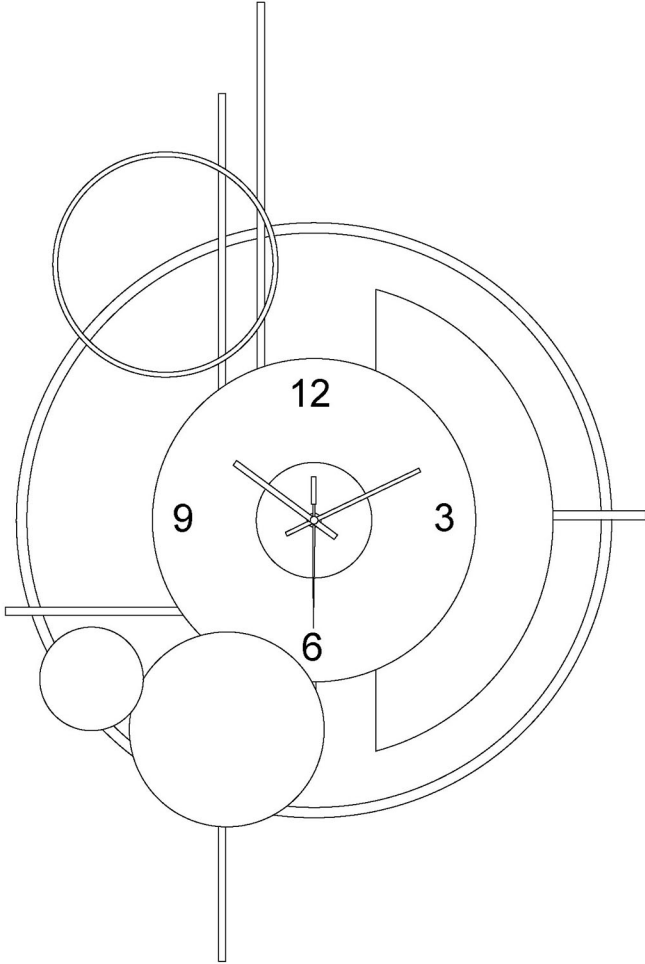
Product Manual



Wall Clock

Parts List

Ax1

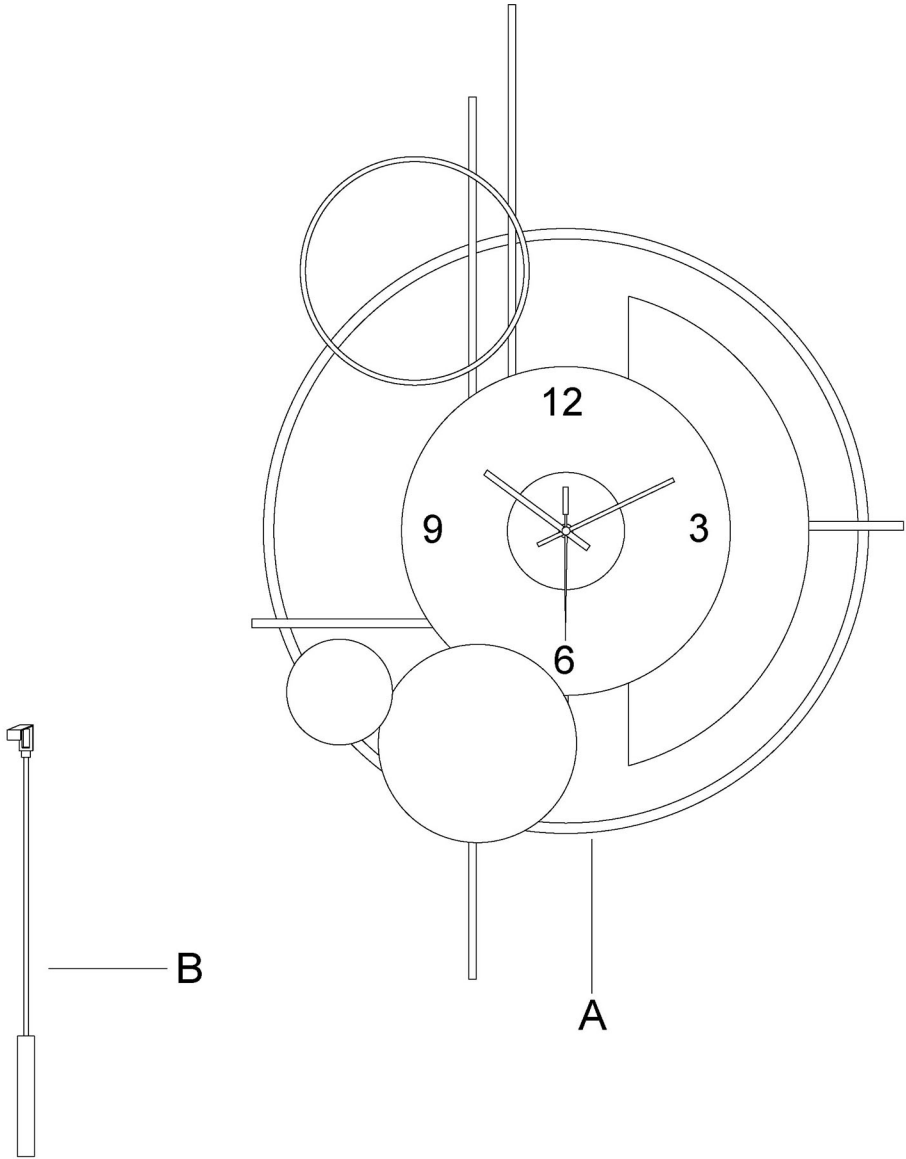


Bx1

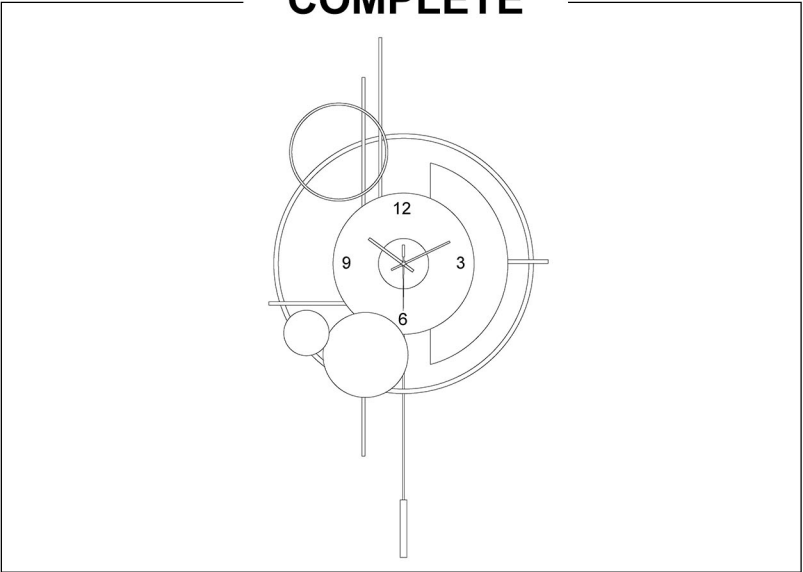


Exploded Views

EXPLODED

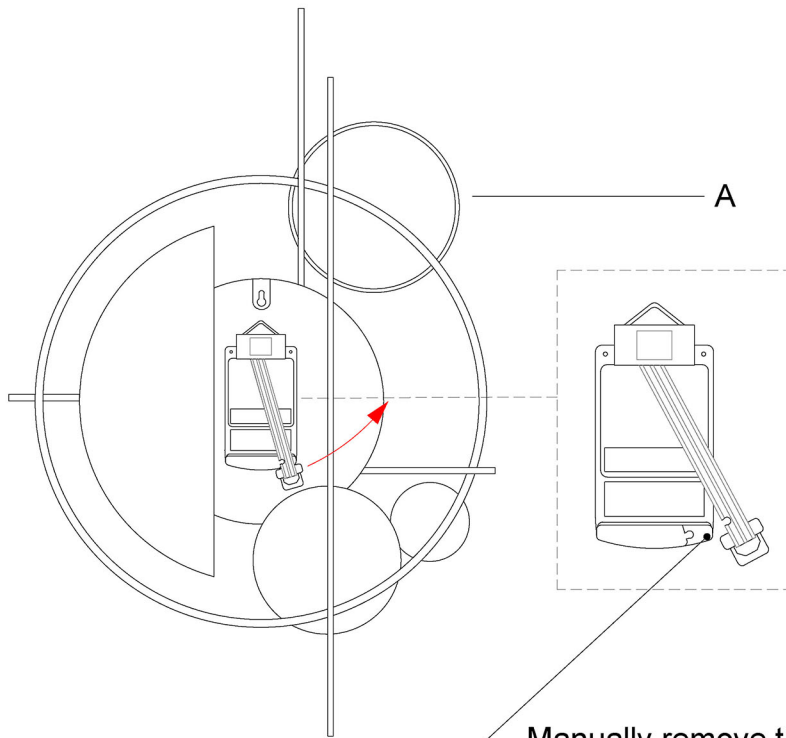


COMPLETE



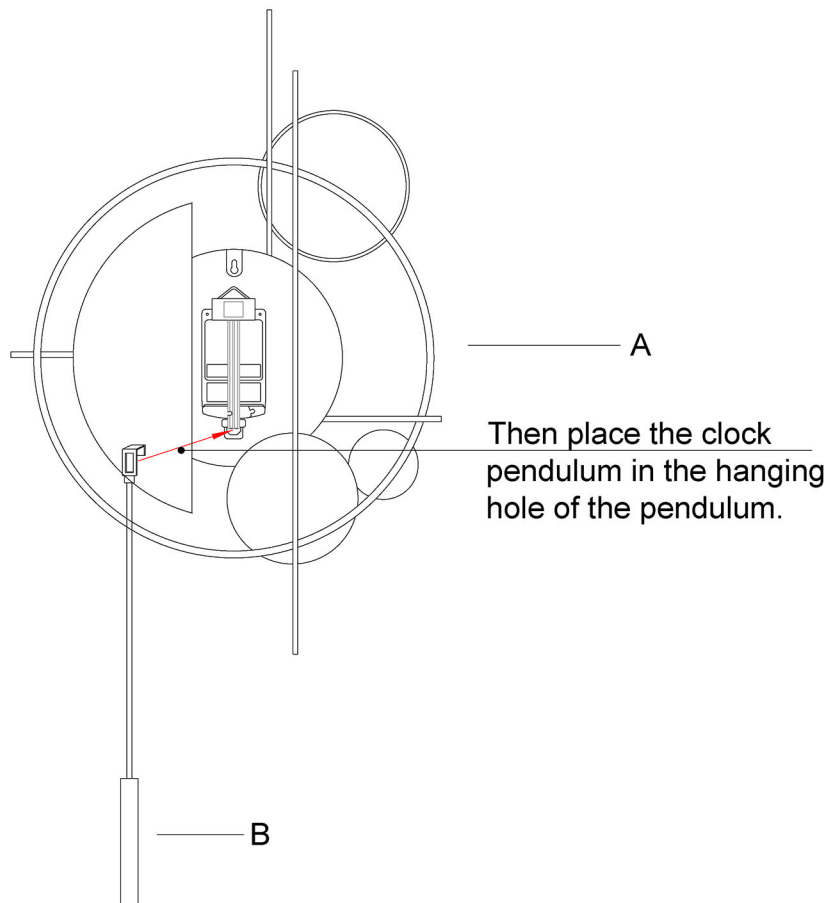
Installation Steps

Step 1



Manually remove the buckle on the back of the wall clock (refer to the schematic diagram for specific operation).

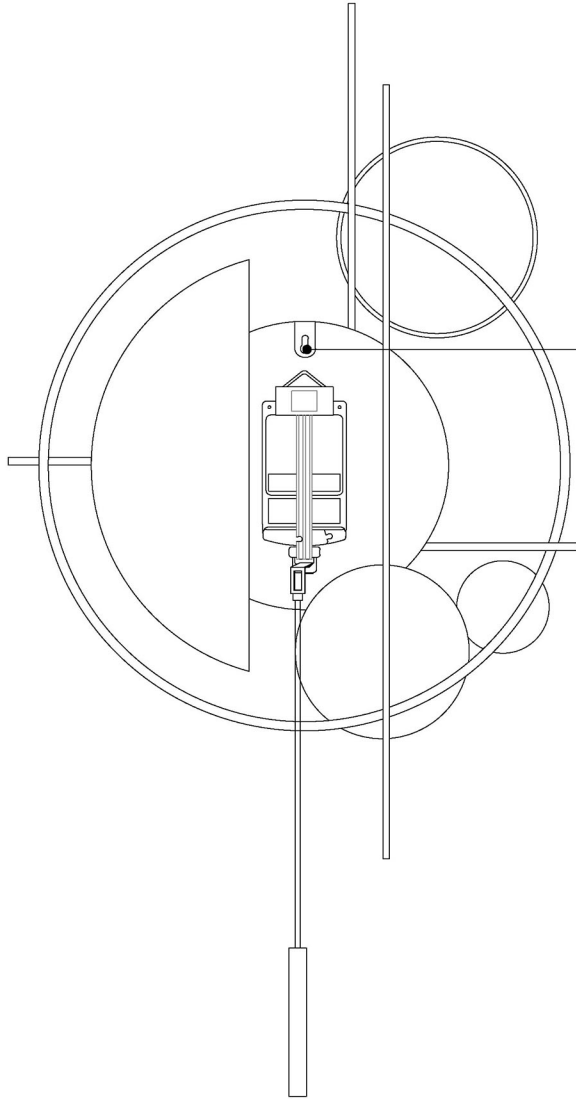
Step 2



Then place the clock pendulum in the hanging hole of the pendulum.

Installation Steps

Step 3



Finally, put the hanging hole of the wall clock on the hanging position of the wall.