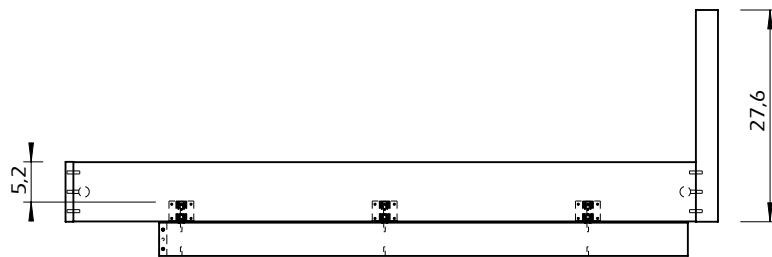
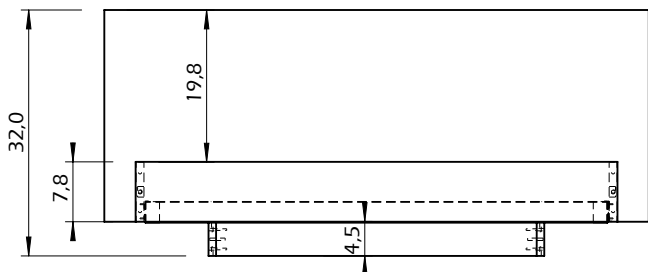
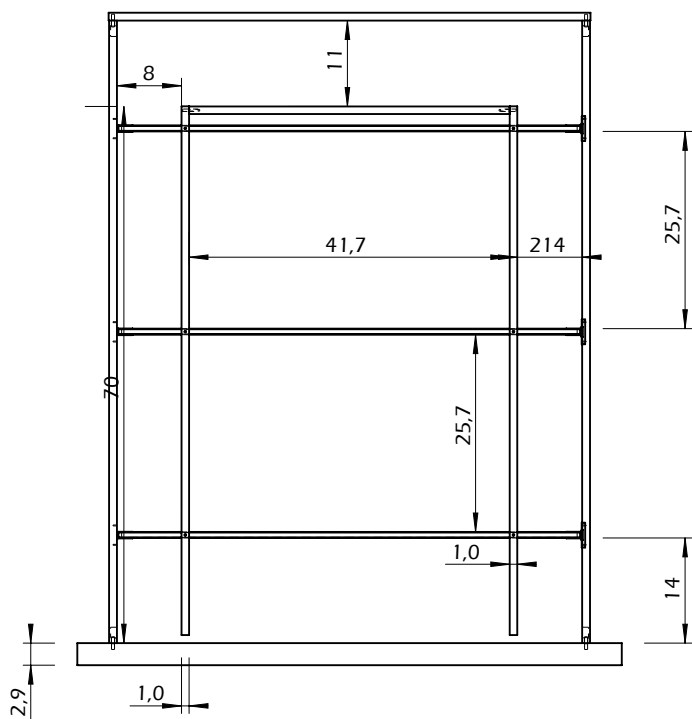
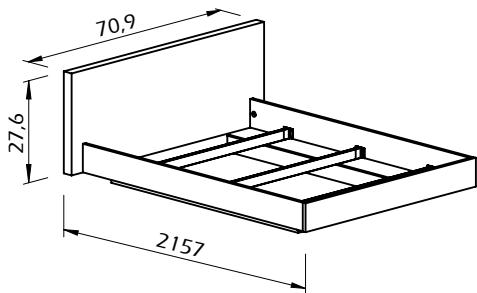


Technical Information

FLOAT



60min



400kg