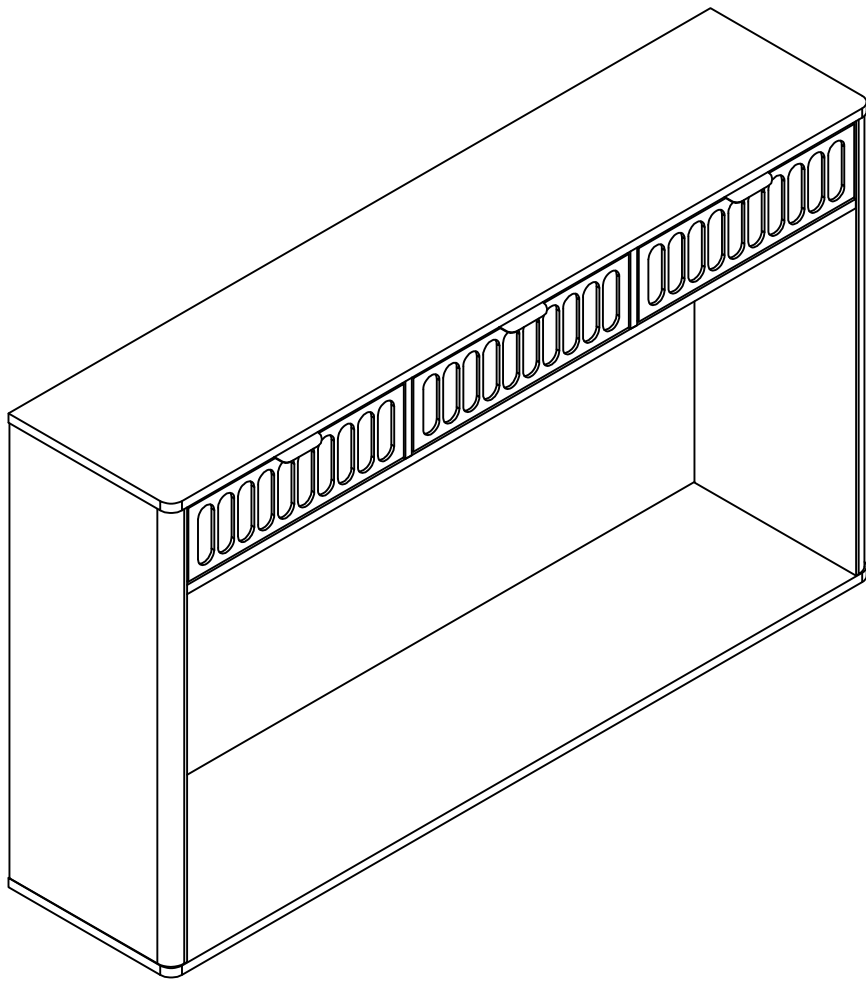


# Installation Instruction

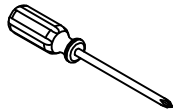


# Assembling

---

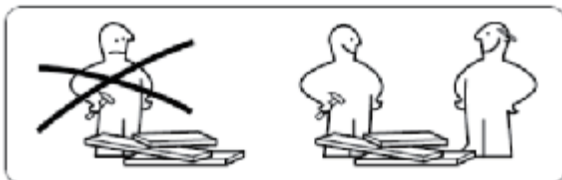
## What you need

- Use the packaging carton as a working surface to prevent product damage during assembly
- Phillips head screwdriver



## Weight Limitation


**100** | **35**  
 lbs table top      lbs per



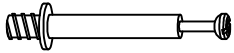
# What' included

---

Code	Description	Qty
A	Cam Bolt M6X35MM	32
B	Cam Lock 15X9MM	32
C	Wooden Dowel M6X30MM	8
D	Screw M4X40MM	26
E	Screw M3.5X14MM	2
F	Metal shake handhandle	3
G	Nylon Strap	2
H	Screw M3.0X12MM	30
I	Hole position sticker	32
J	EVA MATS	6
K	Anchor	2
CL	Left mother extended orbit	3
CR	Right mother extended orbit	3
DL	Left public extension track	3
DR	Right public extends track	3

# The Hardware

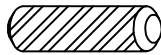
A



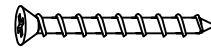
B



C



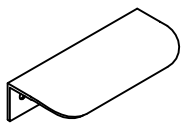
D



E



F



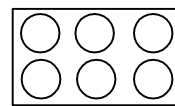
G



H



I



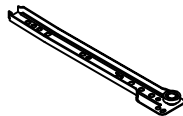
J



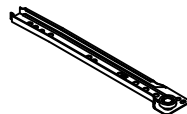
K



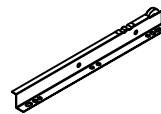
CL



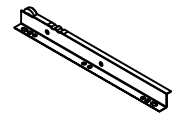
CR



DL



DR



## IMPORTANT:

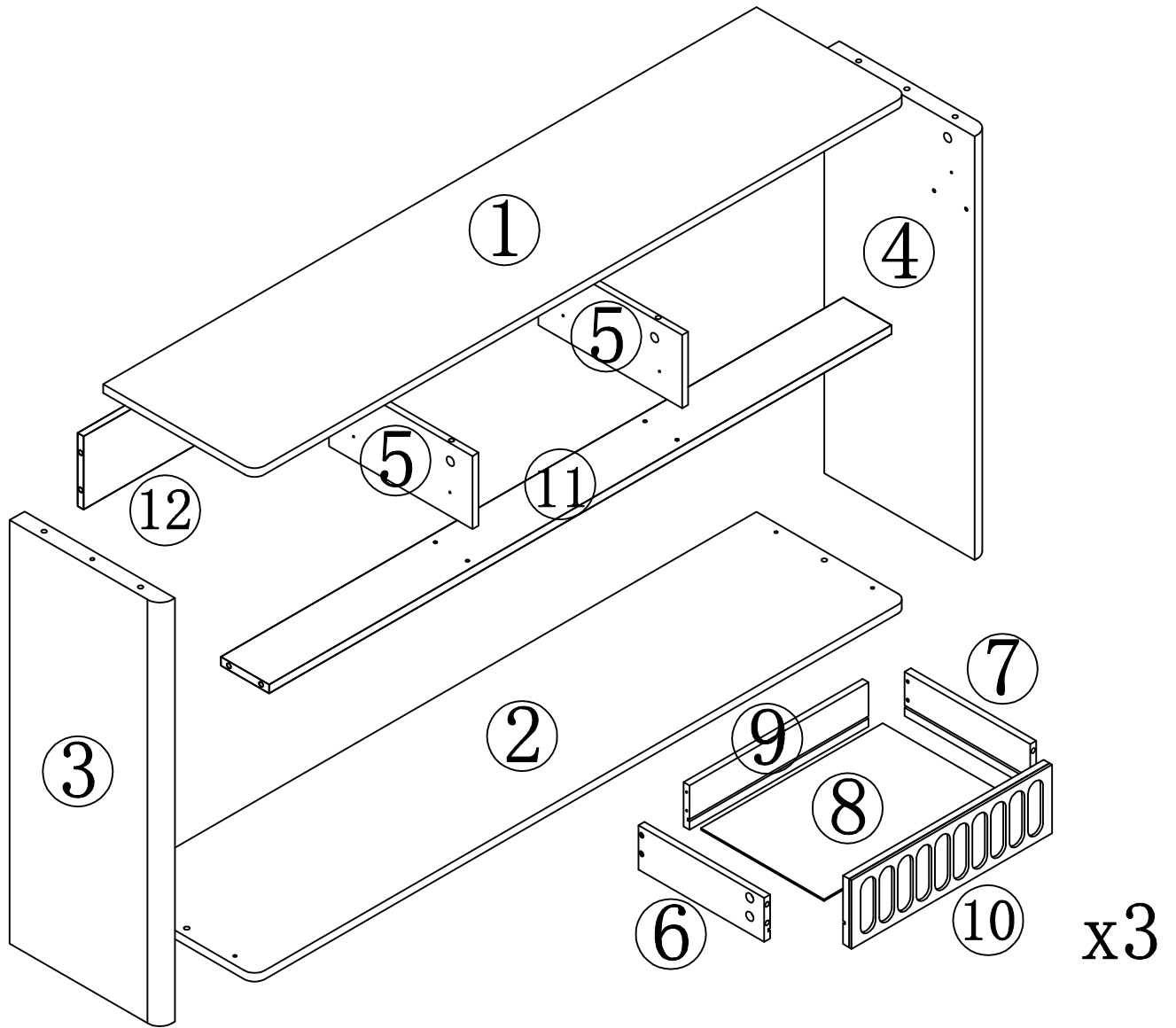
1. Do not tighten bolts / screws completely until all bolts / screws are lined up and inserted into holes.
2. Do not over tighten screws and bolts to avoid stripping
3. Please use hand tools to assemble this product, you can also use power tools (please use power tools carefully).

# Included Accessories


---

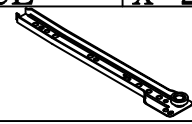
Code	Description	Qty
1	Cabinet Top	1
2	Bottom Panel	1
3	Left Side Panel	1
4	Right Side Panel	1
5	Neutral plate	2
6	Drawer left panel	3
7	Drawer right side panel	3
8	The drawer bottom	3
9	After the drawer board	3
10	Drawn noodles	3
11	Reinforcing plate	1
12	Backboard	1

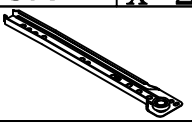
# The Accessoriess

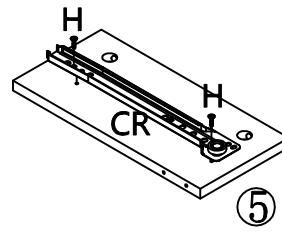
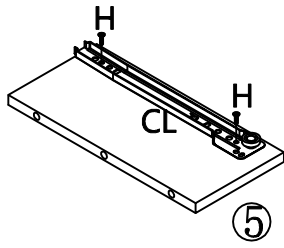
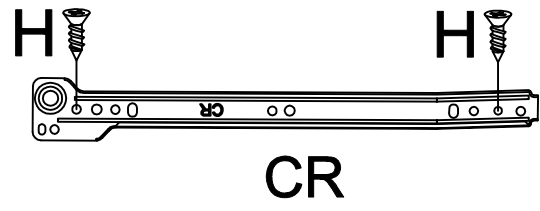
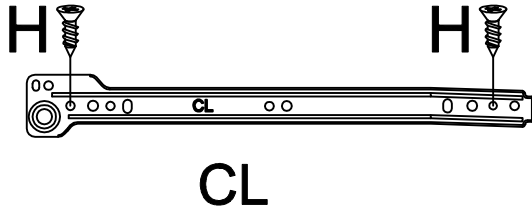


# Step 1

H	x 8
	

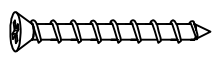
CL	x 2
	

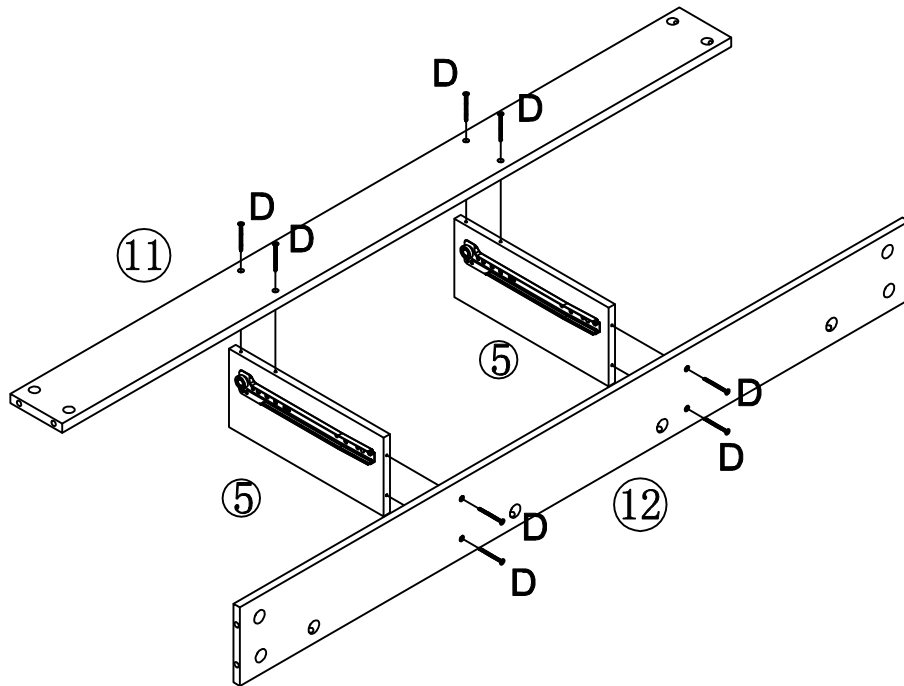
CR	x 2
	



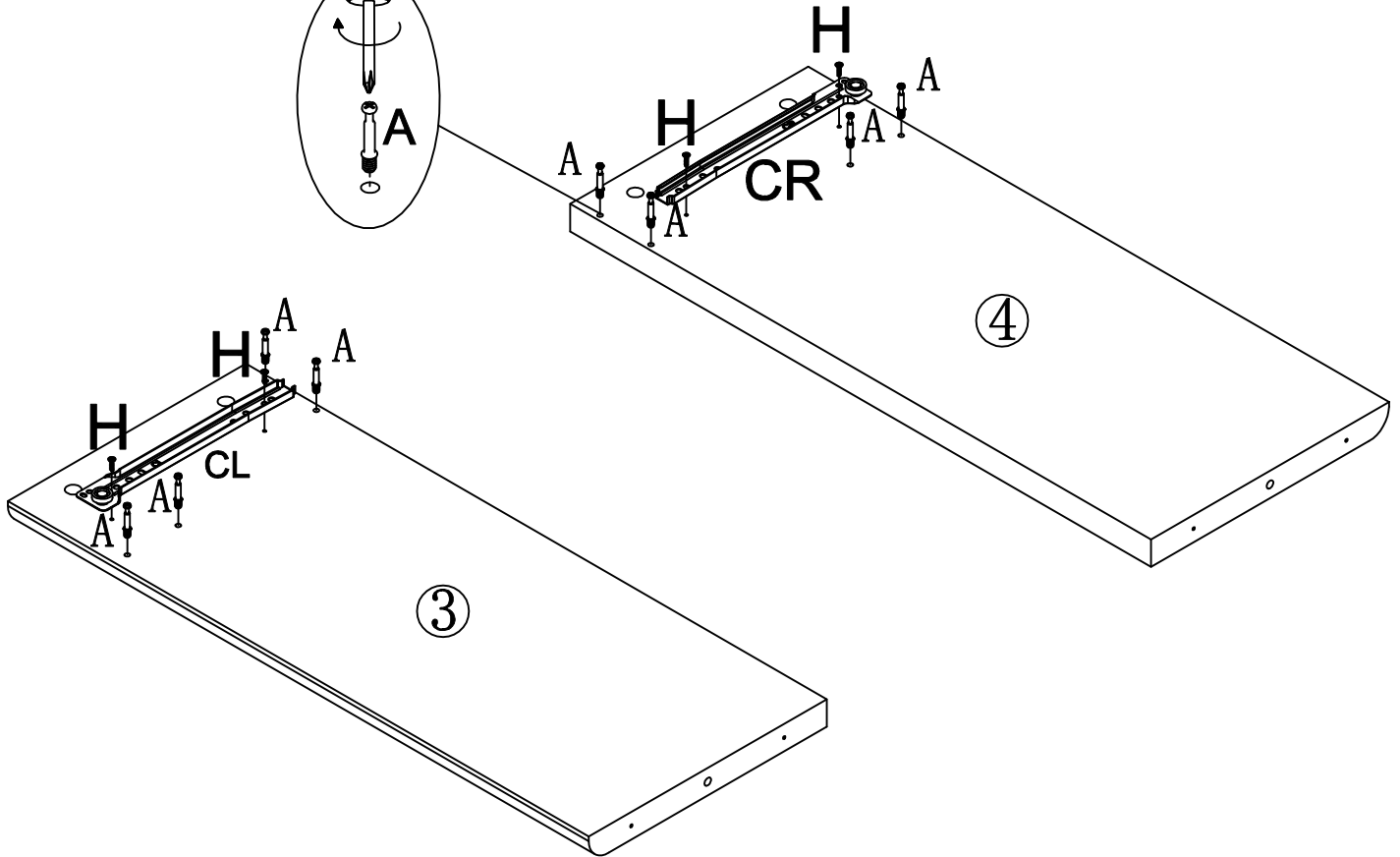
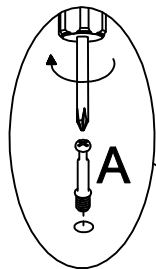
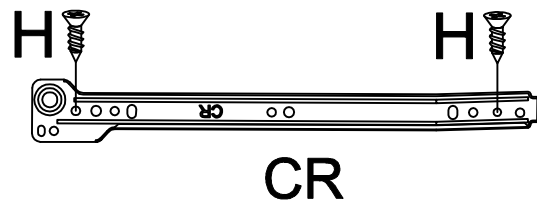
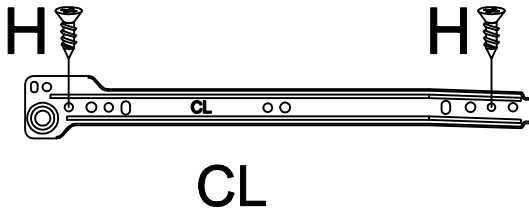
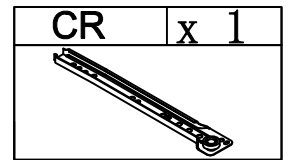
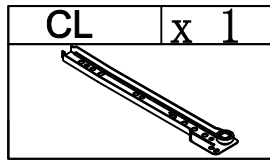
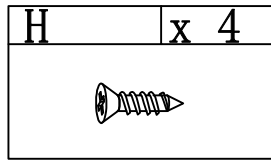
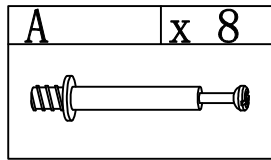
X 2

# Step 2

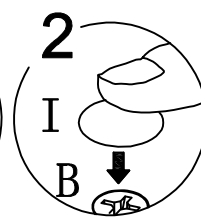
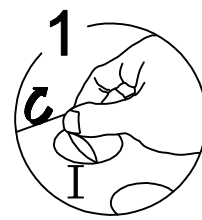
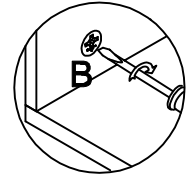
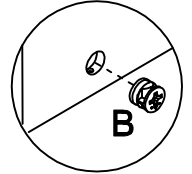
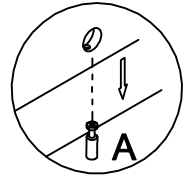
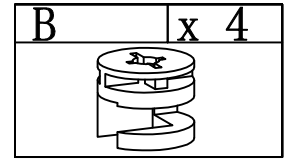
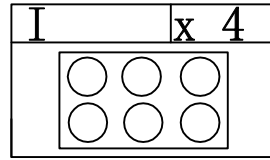
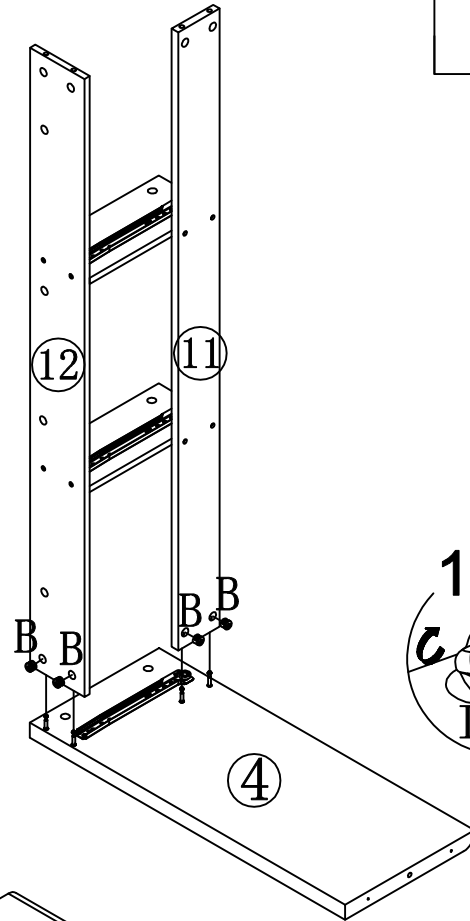
D	x 8
	



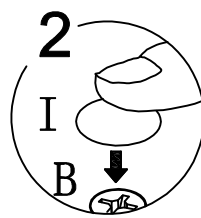
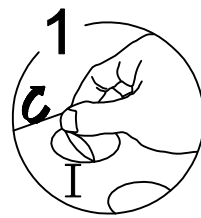
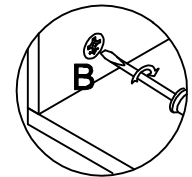
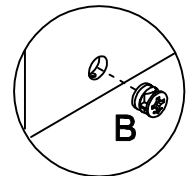
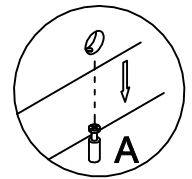
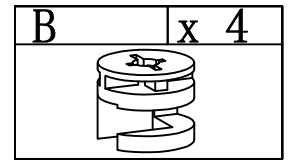
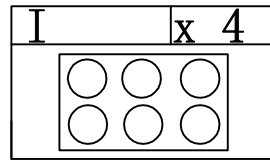
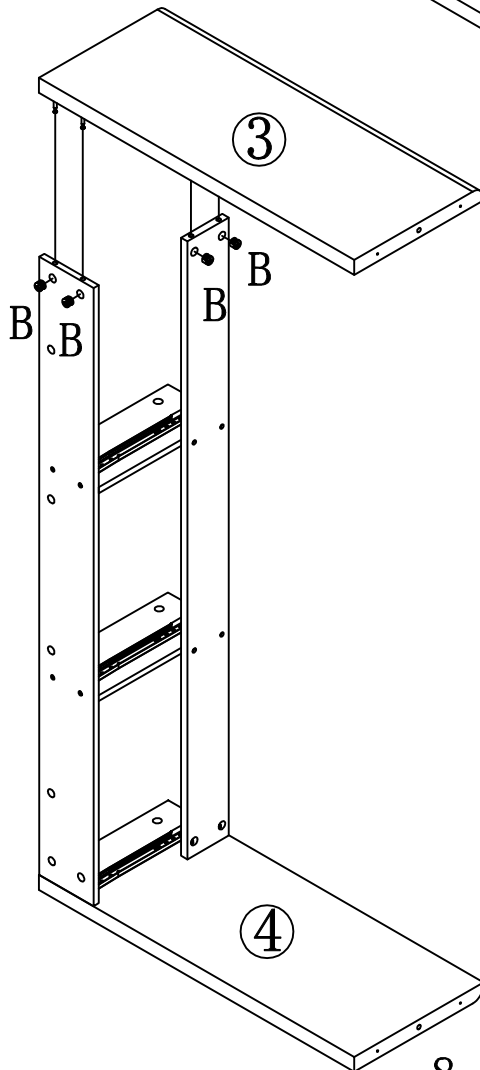
# Step 3



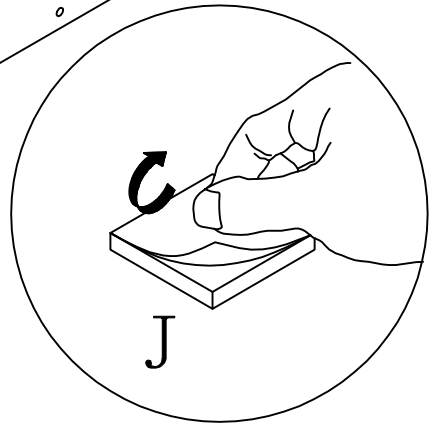
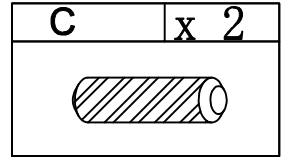
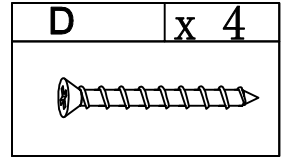
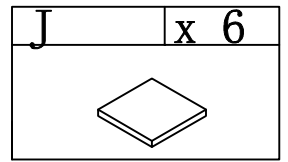
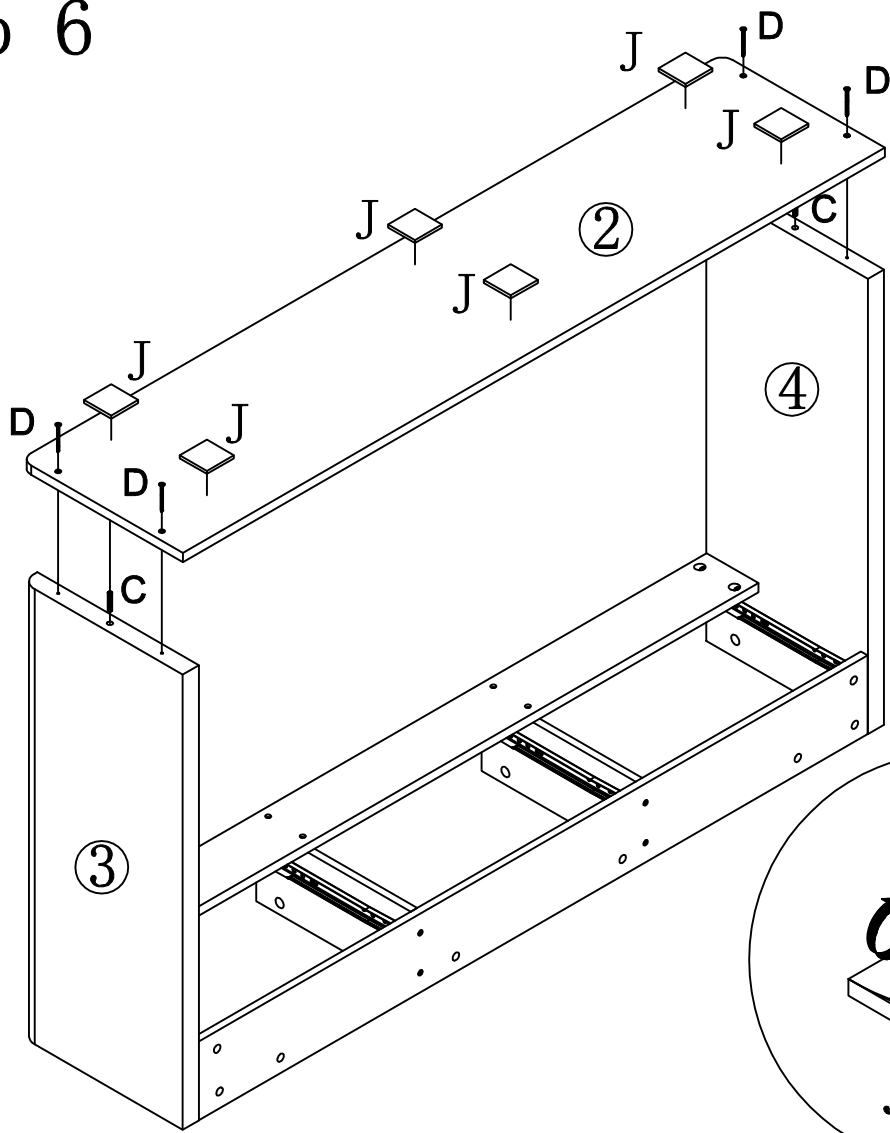
# Step 4



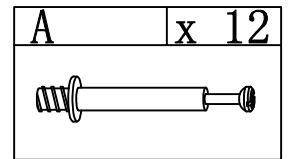
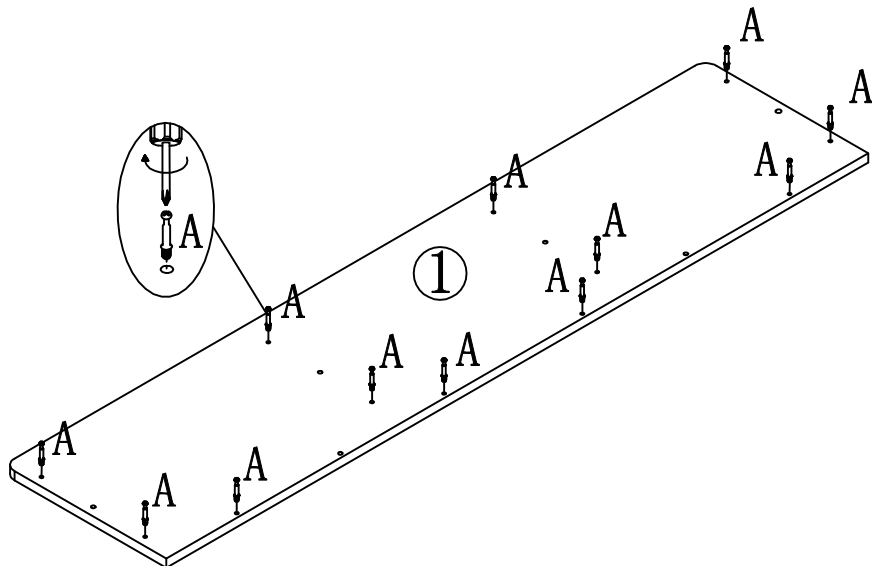
# Step 5



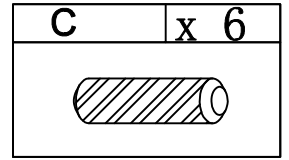
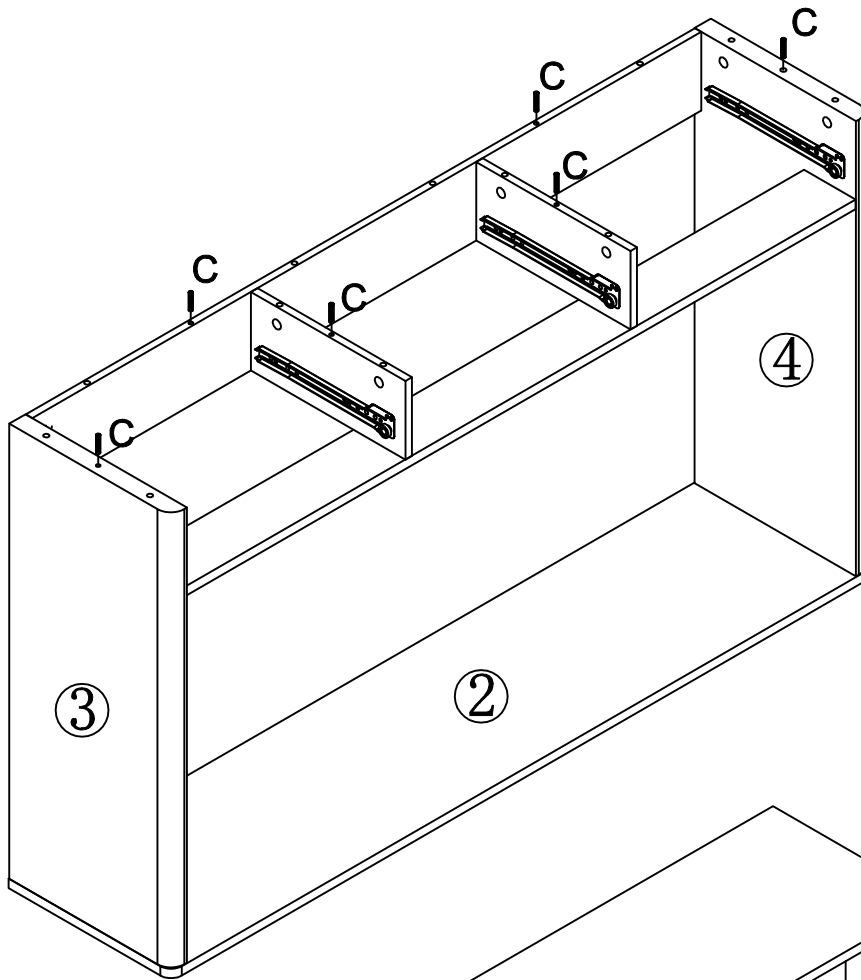
# Step 6



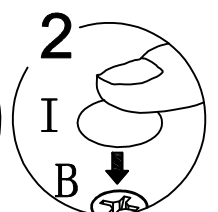
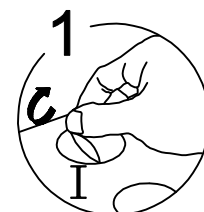
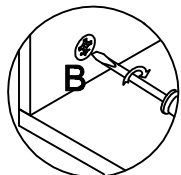
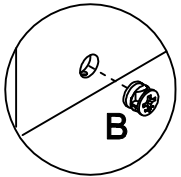
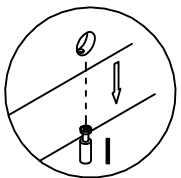
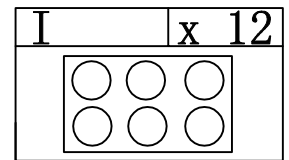
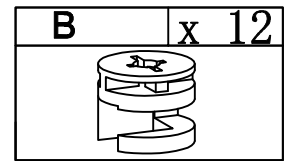
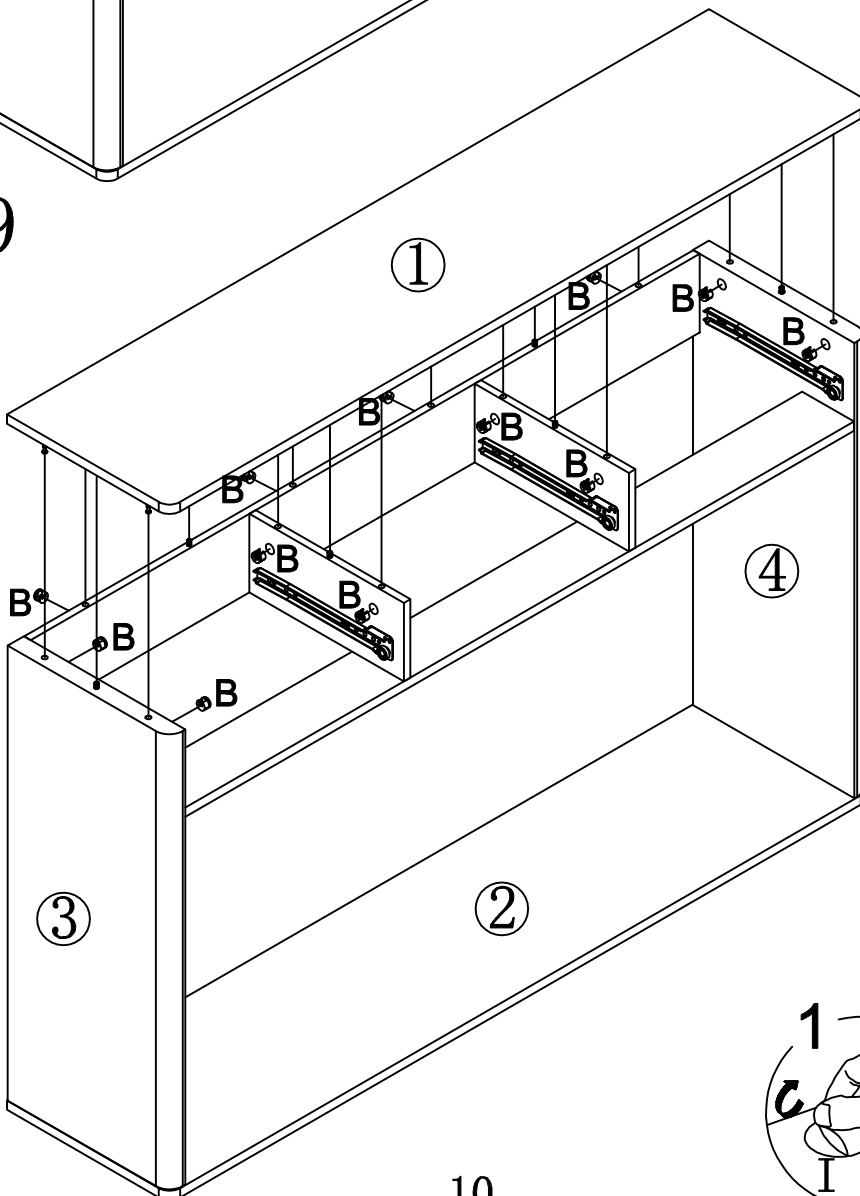
# Step 7



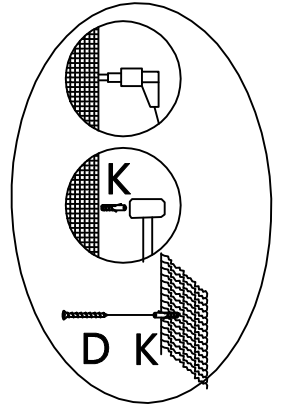
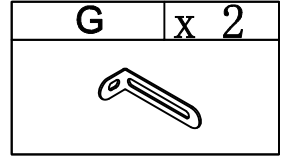
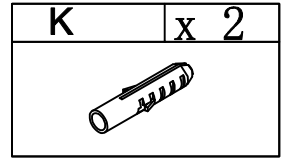
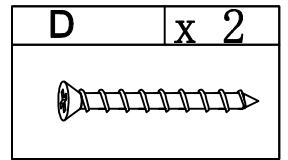
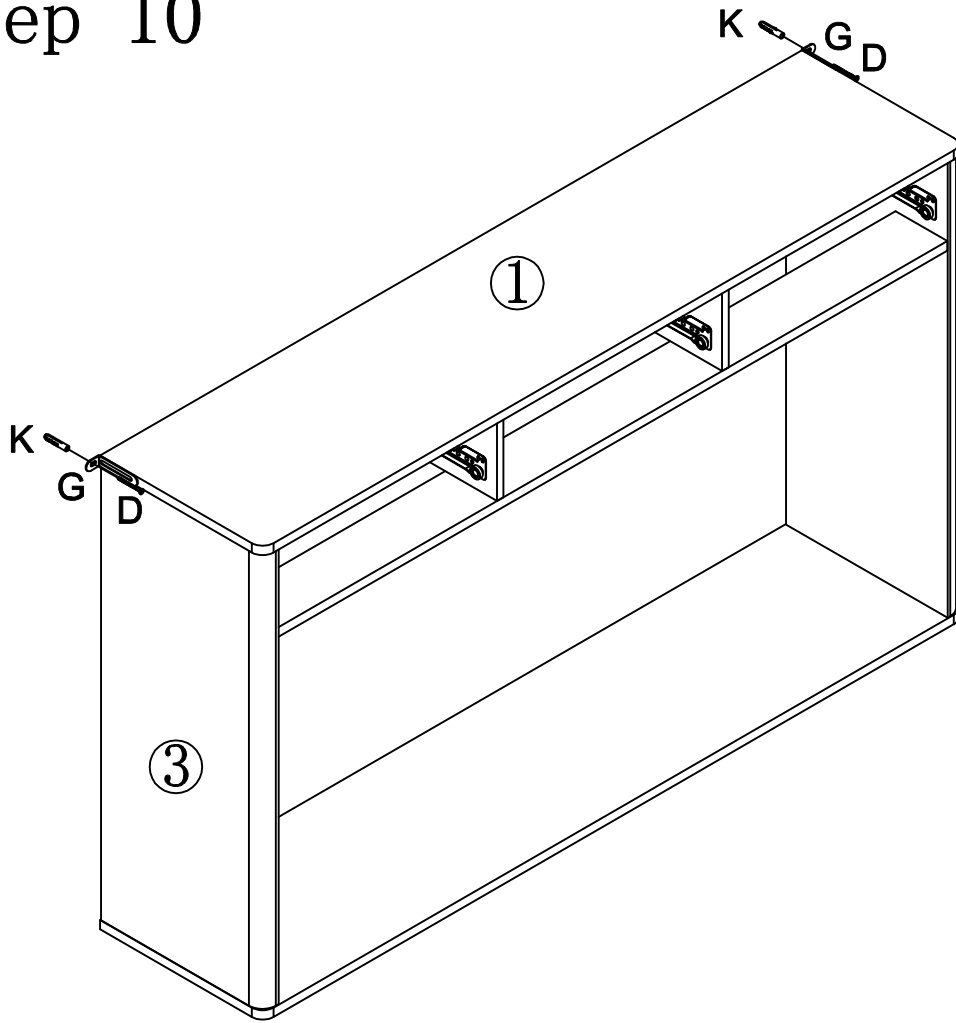
# Step 8



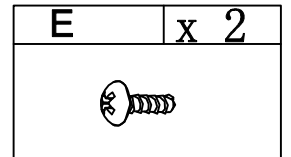
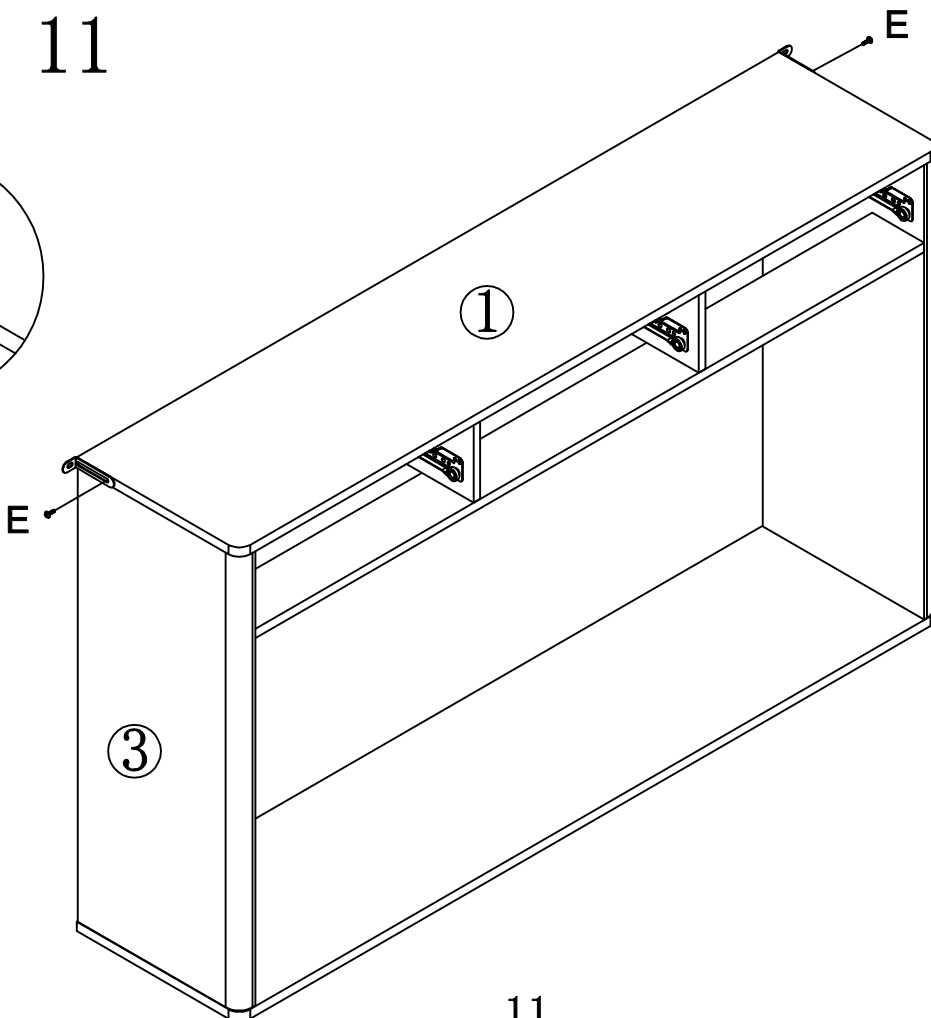
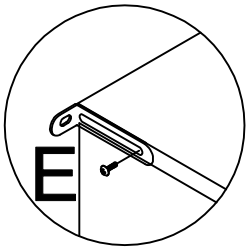
# Step 9



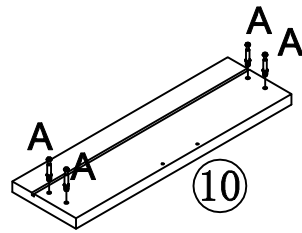
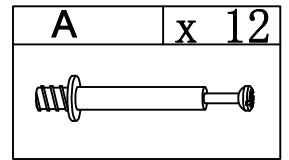
# Step 10



# Step 11

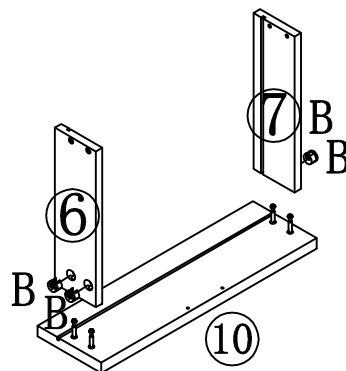
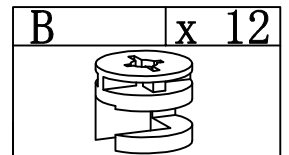
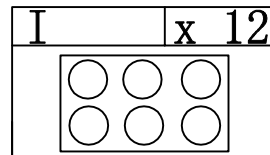


# Step 12

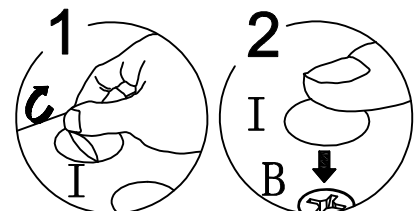
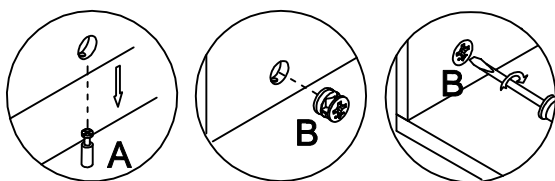


X 3

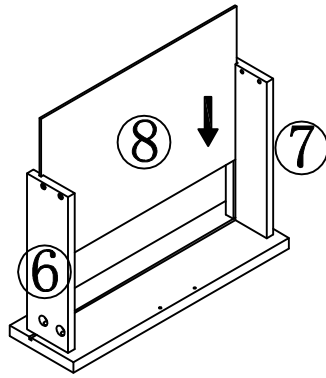
# Step 13



X 3

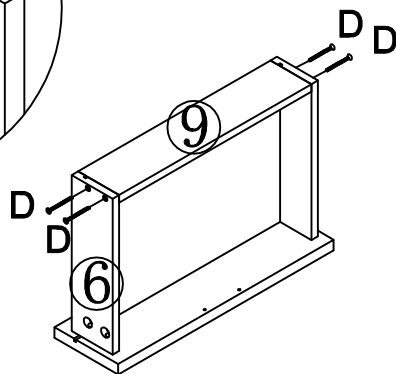
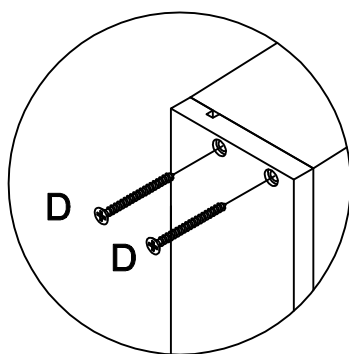
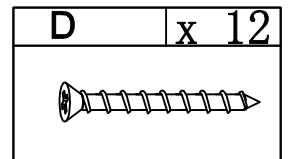


# Step 14




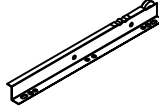
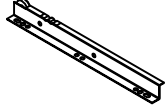
X 3

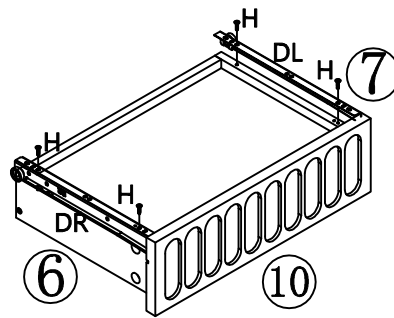
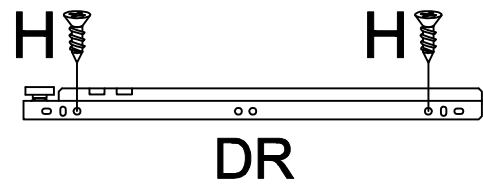
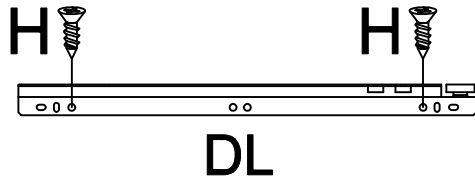
# Step 15



X 3

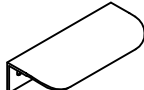

# Step 16

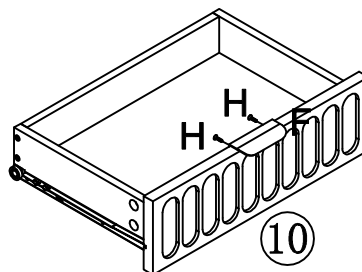
H	x 12	DL	x 3	DR	x 3
					



X 3

# Step 17

F	x 3	H	x 6
			



X 3

# Step 18

