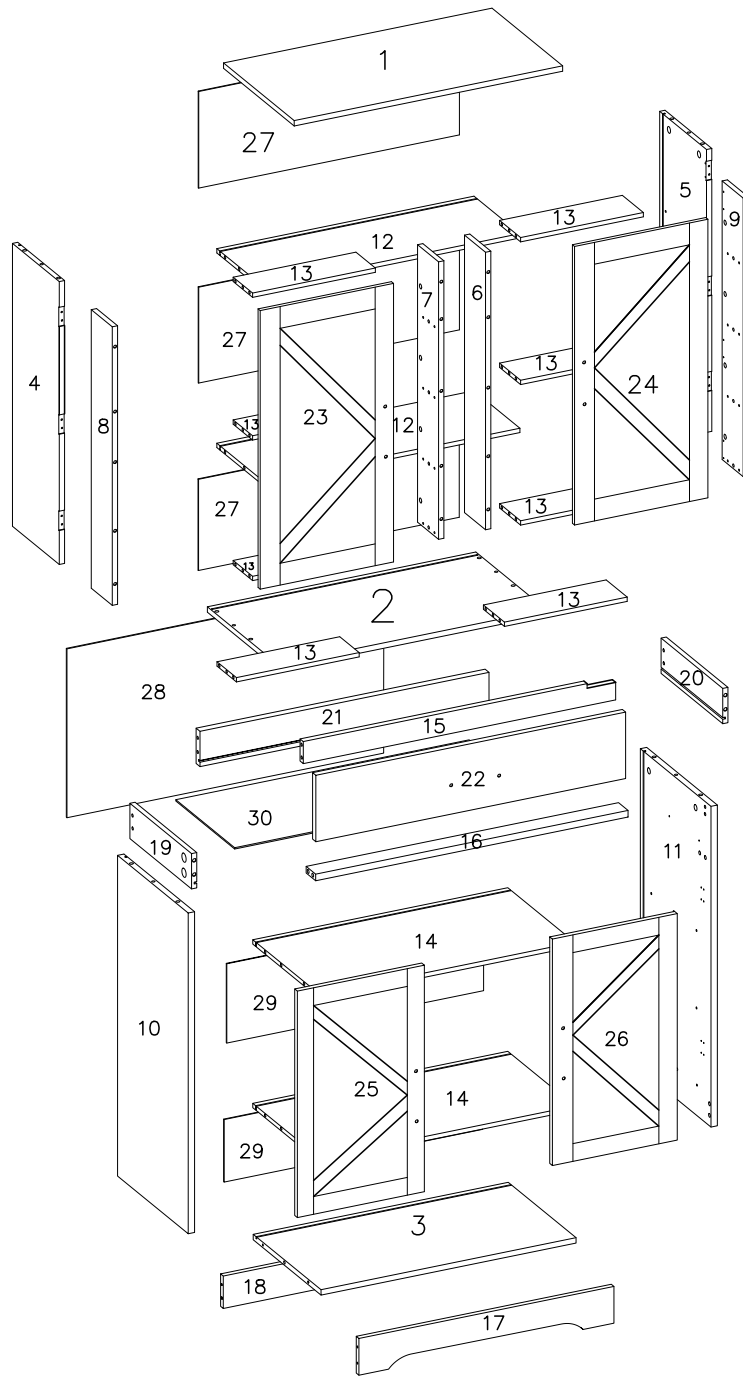
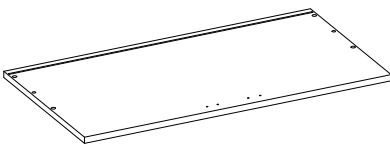
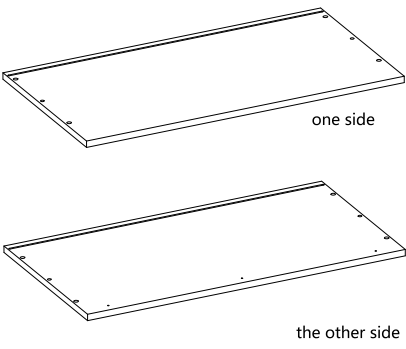
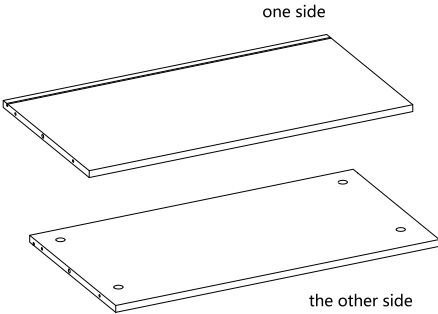
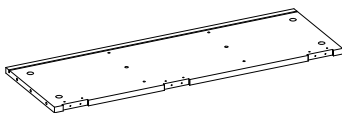
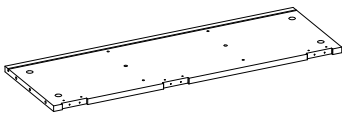
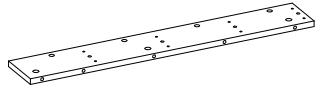
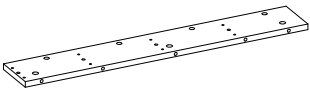
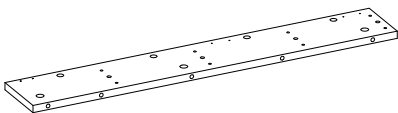
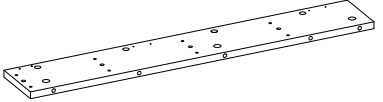
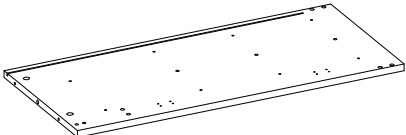
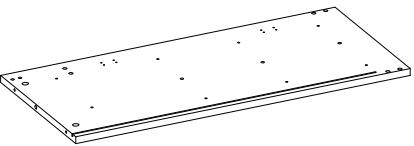

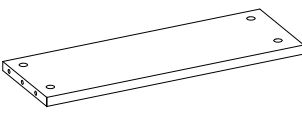
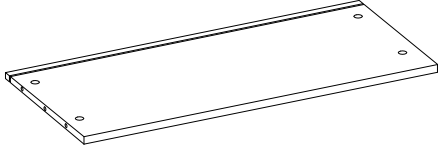
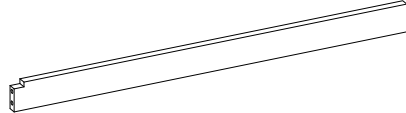
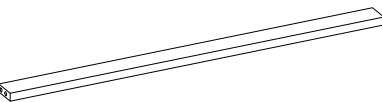
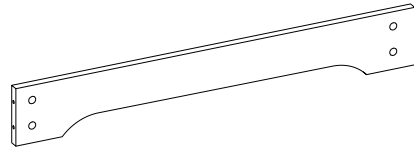
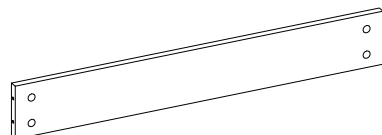
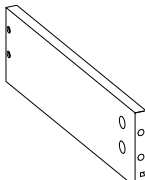
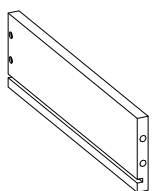
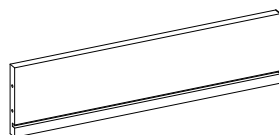
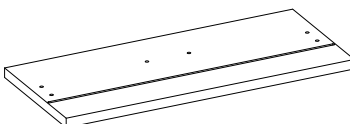
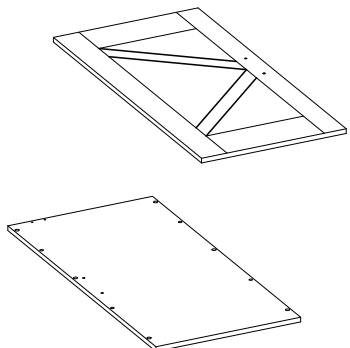
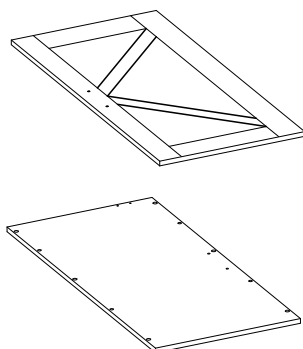


DS-SB016W

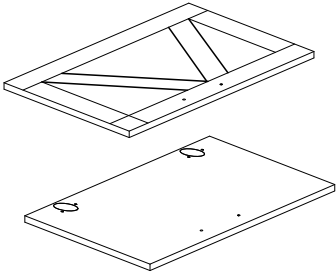


A 36PCS	B 56PCS	C Ø8*30mm 44PCS	D M3.5*14mm 108PCS	E M3*16mm 4PCS	F M3.5*30mm 4PCS	G 5PCS	H 10PCS	I L=300mm 1PC
J 4PCS	K 6PCS	L L=364mm 8PCS	M 2PCS	N 2PCS	O 1PC	P 24PCS	Q 8PCS	
R 92PCS								

<p>1</p>  <p>760*401*15mm 1PC</p>	<p>2</p>  <p>760*401*15mm 1PC</p>	<p>3</p>  <p>728*383*12mm 1PC</p>
<p>4</p>  <p>800*265*15mm 1PC</p>	<p>5</p>  <p>800*265*15mm 1PC</p>	<p>6</p>  <p>788*119*15mm 1PC</p>
<p>7</p>  <p>788*119*15mm 1PC</p>	<p>8</p>  <p>788*119*15mm 1PC</p>	<p>9</p>  <p>788*119*15mm 1PC</p>
<p>10</p>  <p>890*399*15mm 1PC</p>	<p>11</p>  <p>890*399*15mm 1PC</p>	<p>12</p>  <p>728*260*12mm 2PCS</p>

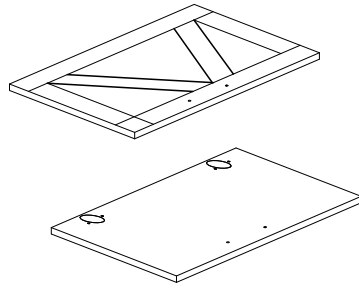
<p>13</p>  <p>346.5*110*12mm 8PCS</p>	<p>14</p>  <p>728*378*12mm 2PCS</p>	<p>15</p>  <p>728*50*15mm 1PC</p>
<p>16</p>  <p>728*60*15mm 1PC</p>	<p>17</p>  <p>728*90*15mm 1PC</p>	<p>18</p>  <p>728*78*15mm 1PC</p>
<p>19</p>  <p>300*75*12mm 1PC</p>	<p>20</p>  <p>300*75*12mm 1PC</p>	<p>21</p>  <p>679*75*12mm 1PC</p>
<p>22</p>  <p>722*133.5*15mm 1PC</p>	<p>23</p>  <p>788*377.5*15mm 1PC</p>	<p>24</p>  <p>788*377.5*15mm 1PC</p>

25



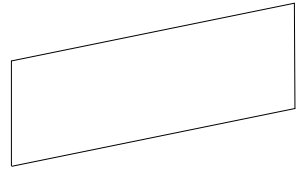
640.5*359.5*15mm 1PC

26



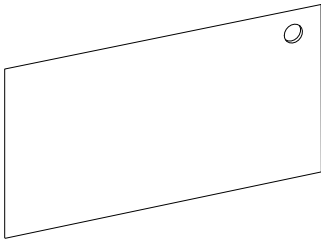
640.5*359.5*15mm 1PC

27



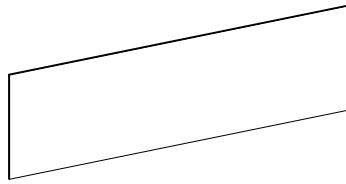
738*266*3mm 3PCS

28



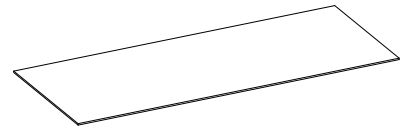
738*379.5*3mm 1PC

29



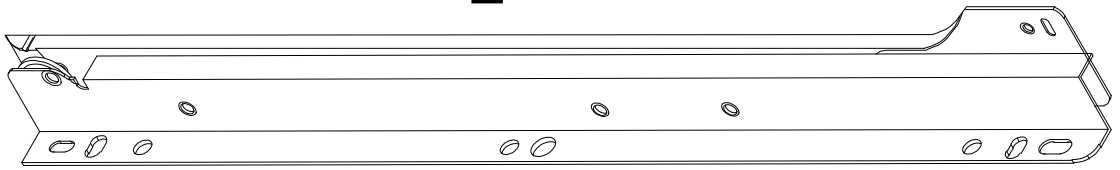
738*209.5*3mm 2PCS

30

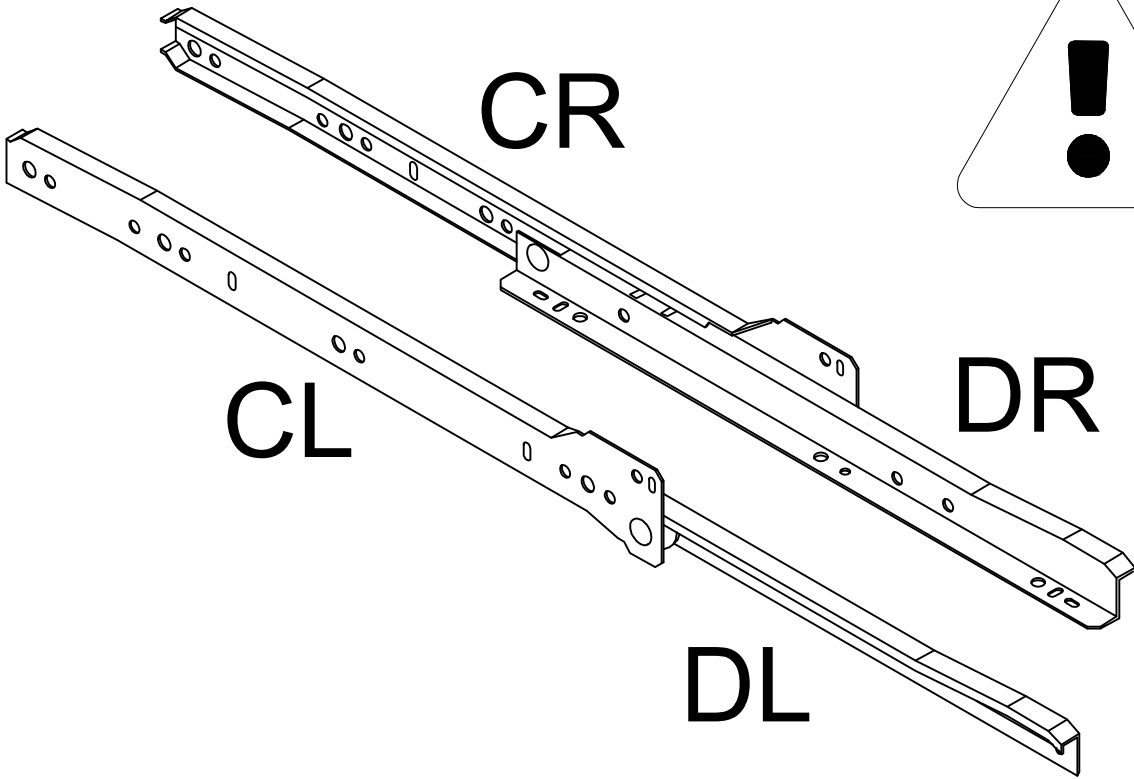


689*297*3mm 1PC

I



CR

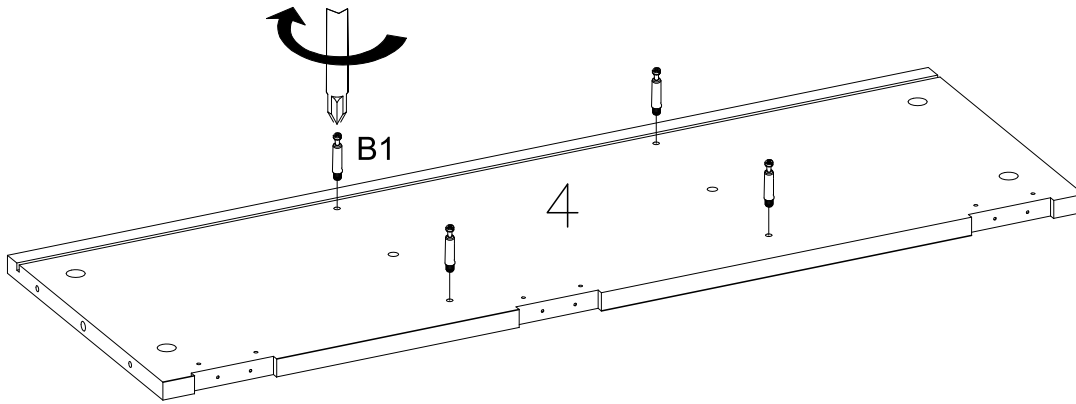
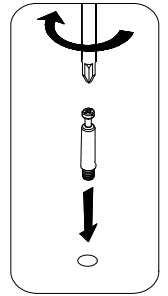
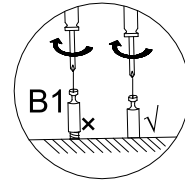



CL

DR

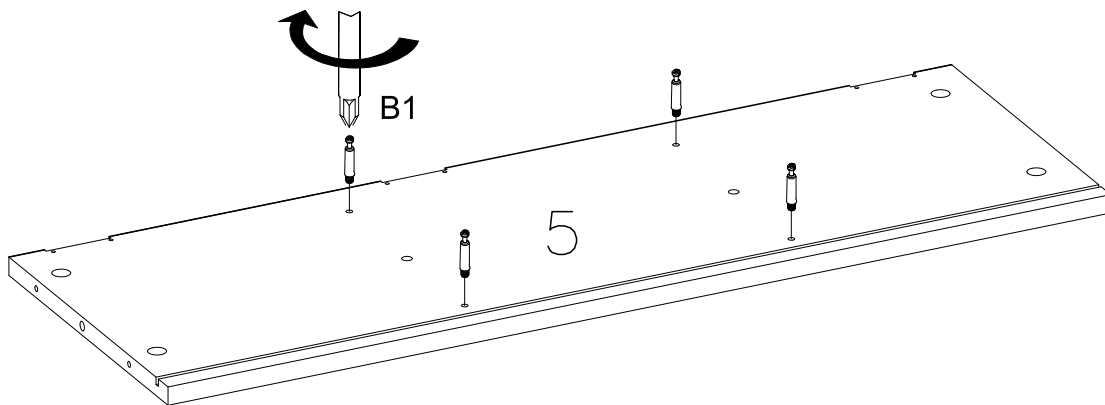
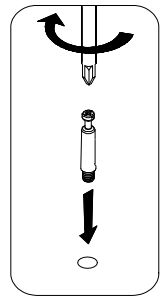
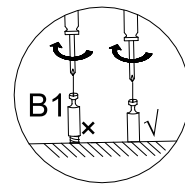
DL


STEP 1



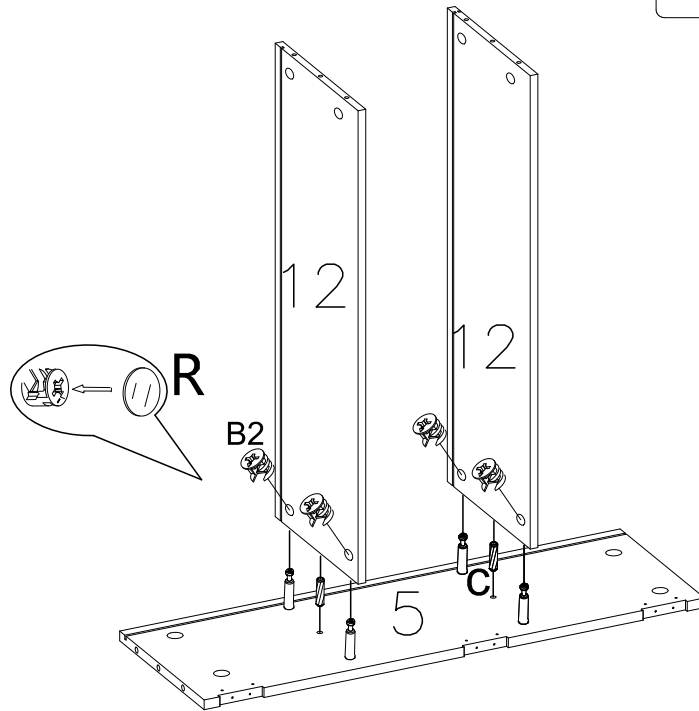
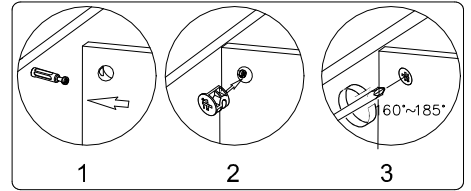
	B1 × 4PCS
---	-----------




STEP 2



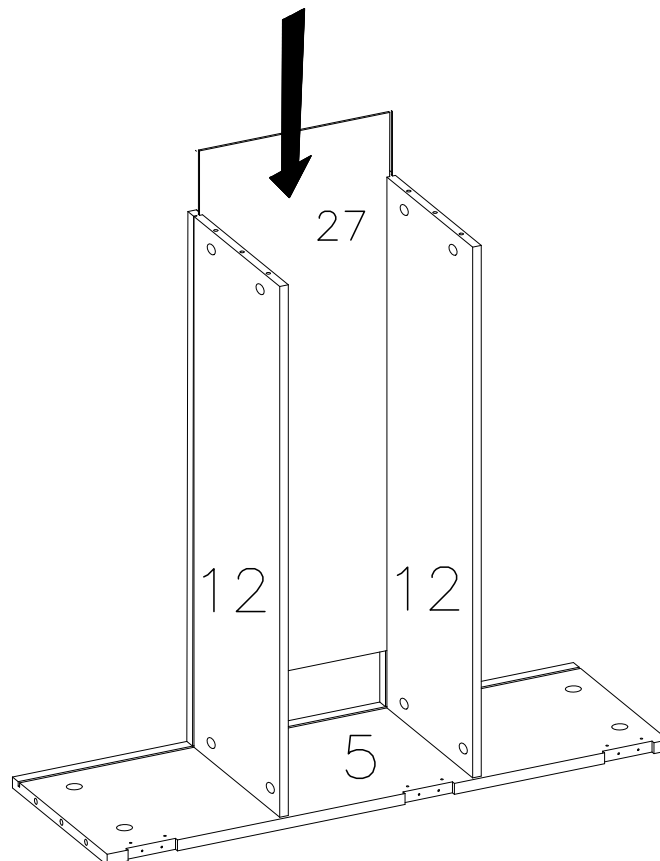
	B1 × 4PCS
---	-----------

STEP 3

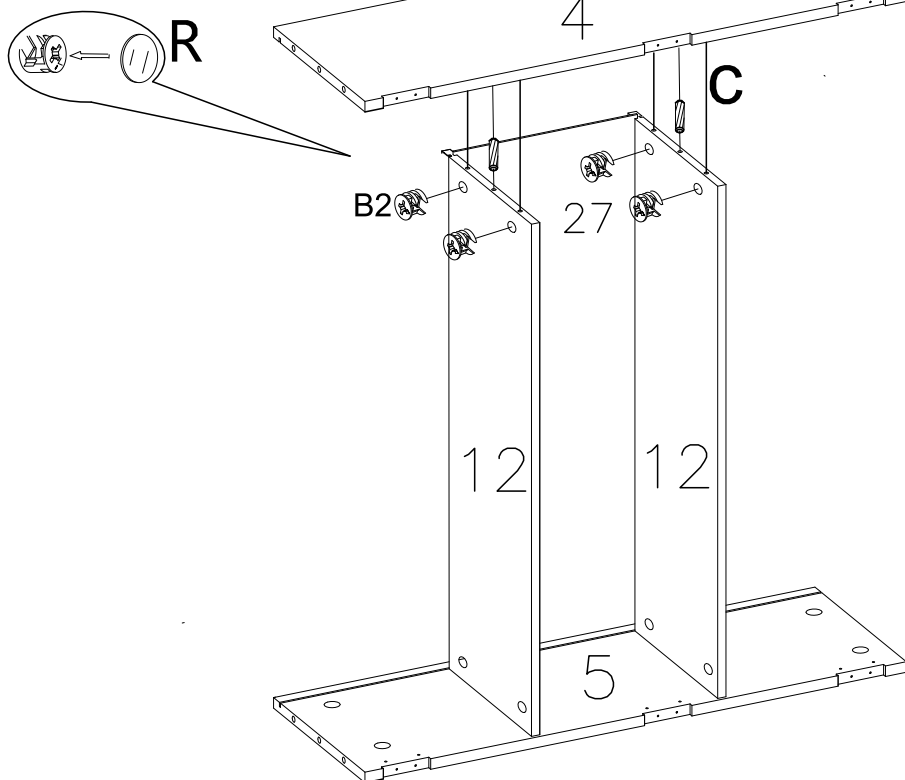
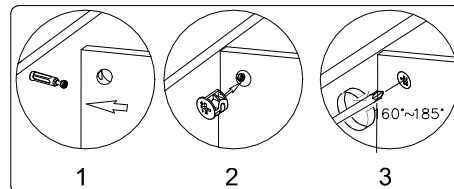


	C × 2PCS
	R × 4PCS
	B2 × 4PCS

STEP 4

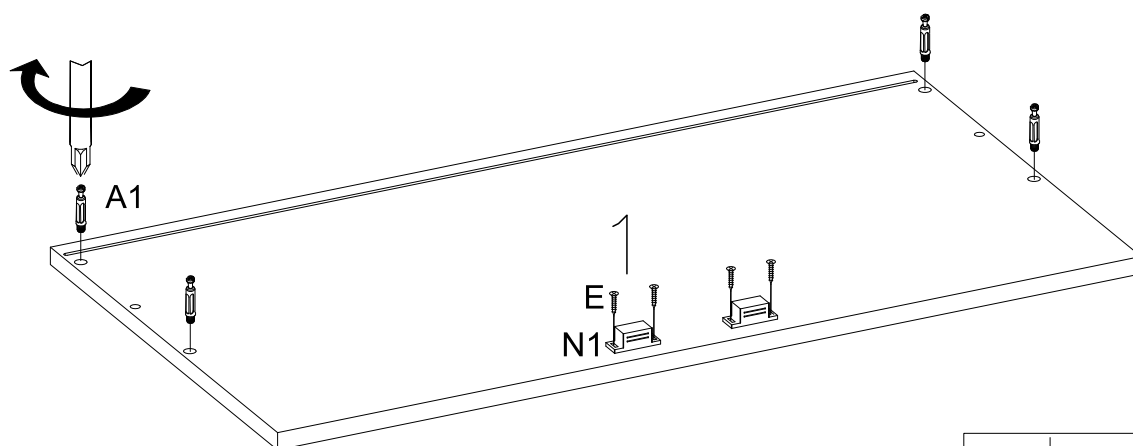
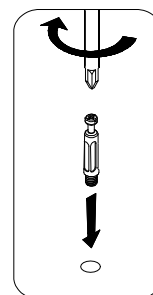
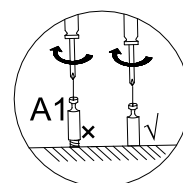


STEP 5



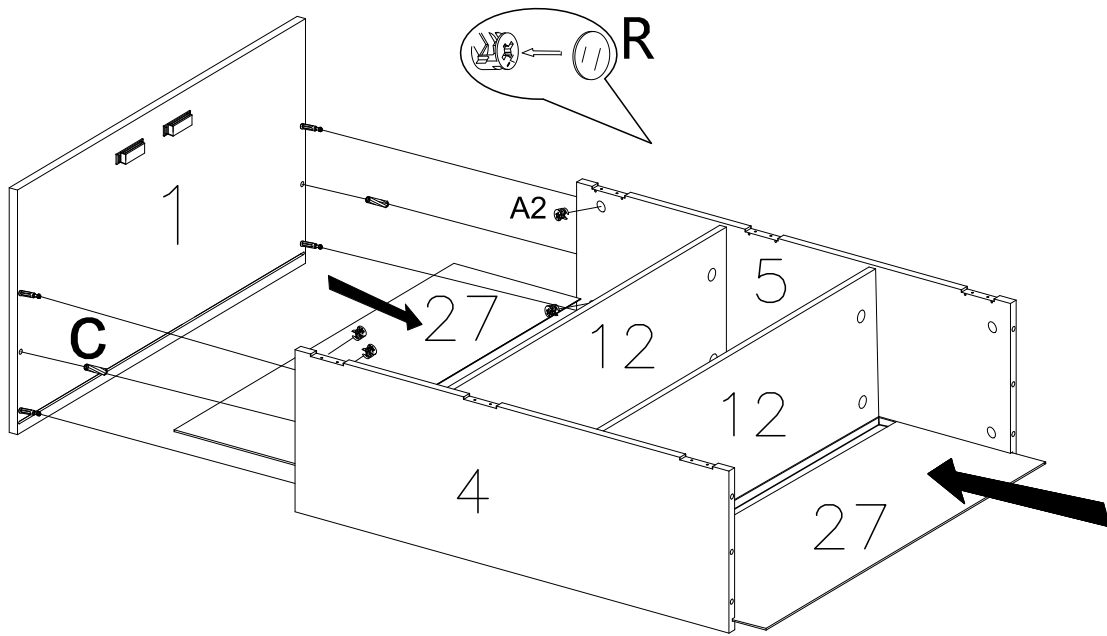
	R × 4PCS
	C × 2PCS
	B2 × 4PCS




STEP 6



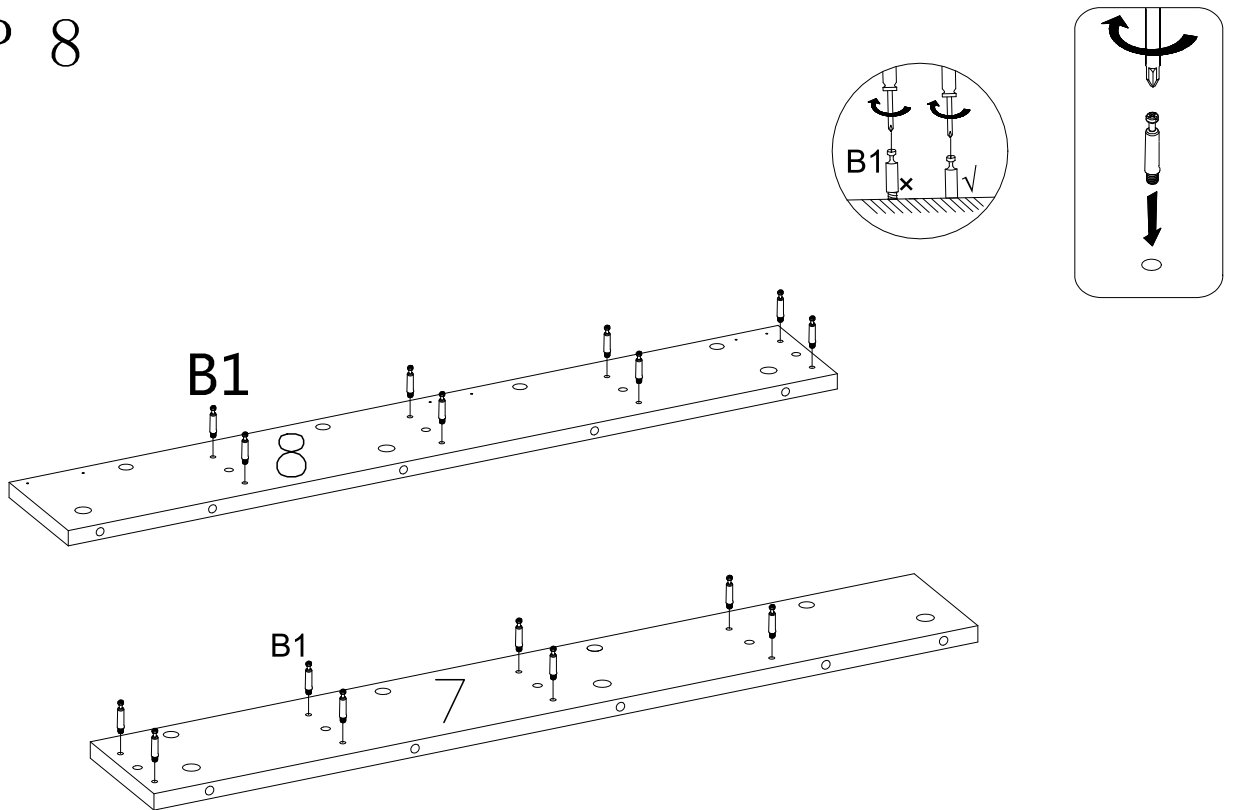
	A1 × 4PCS
	N1 × 2PCS
	E × 4PCS


STEP 7



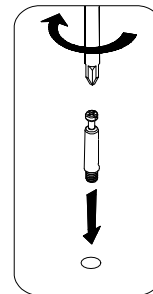
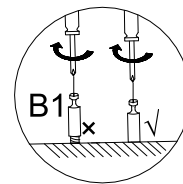
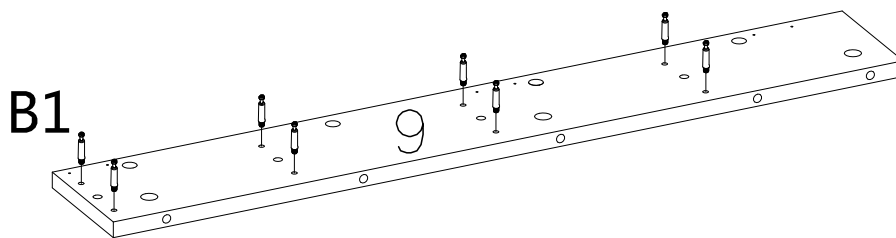
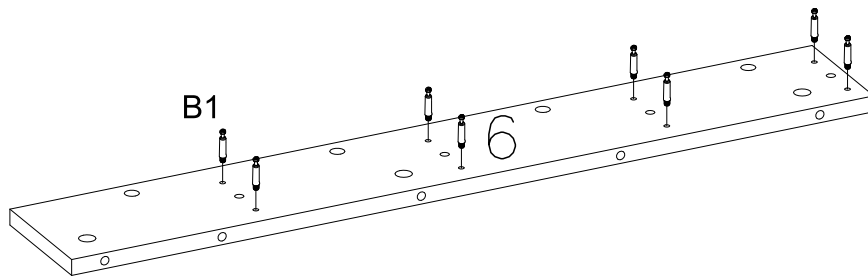
		C × 2PCS
	R × 4PCS	 A2 × 4PCS

STEP 8



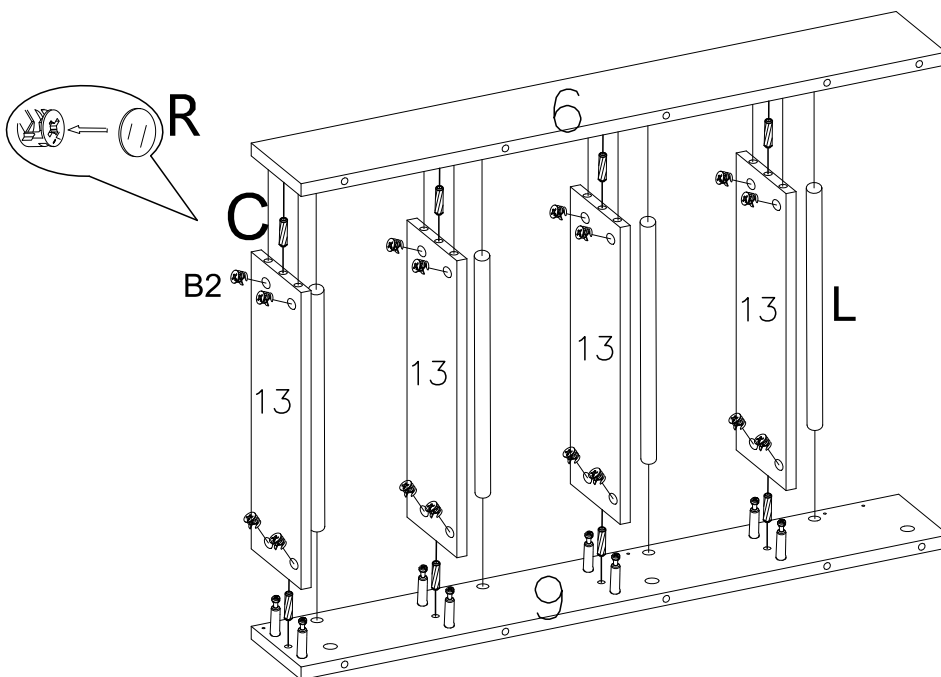
	B1 × 16PCS
---	------------





STEP 9



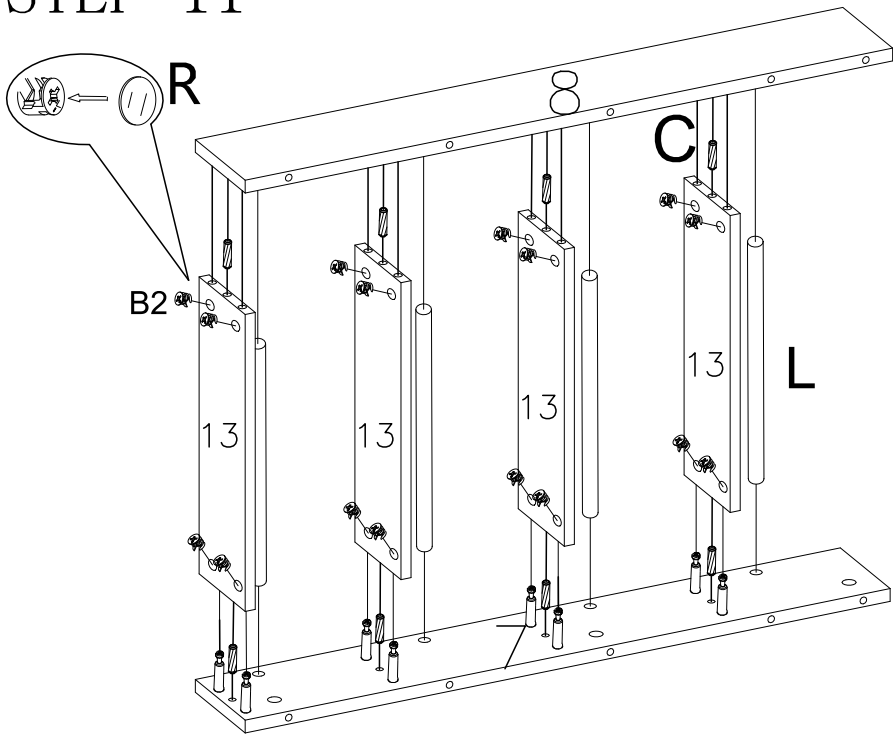
	B1 × 16PCS
---	------------





STEP 10



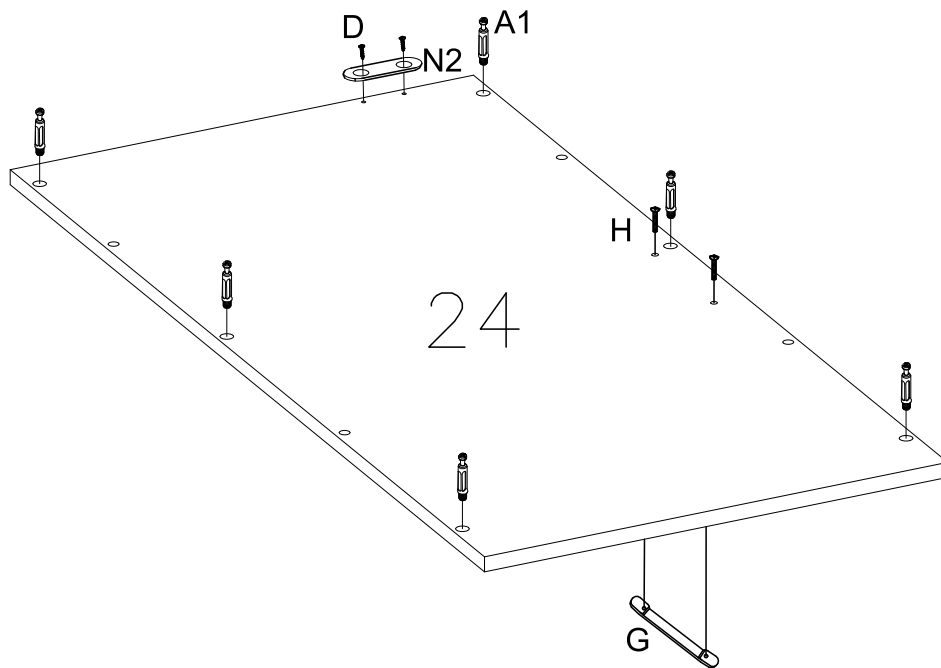
	R × 16PCS		C × 8PCS
	L × 4PCS		B2 × 16PCS




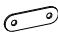

STEP 11



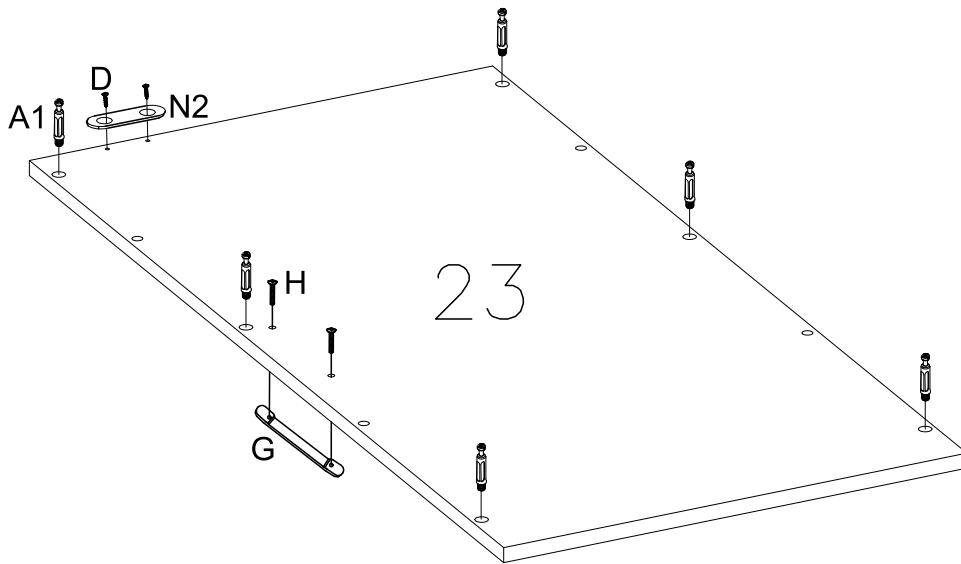
	R × 16PCS		C × 8PCS
	L × 4PCS		B2 × 16PCS






STEP 12



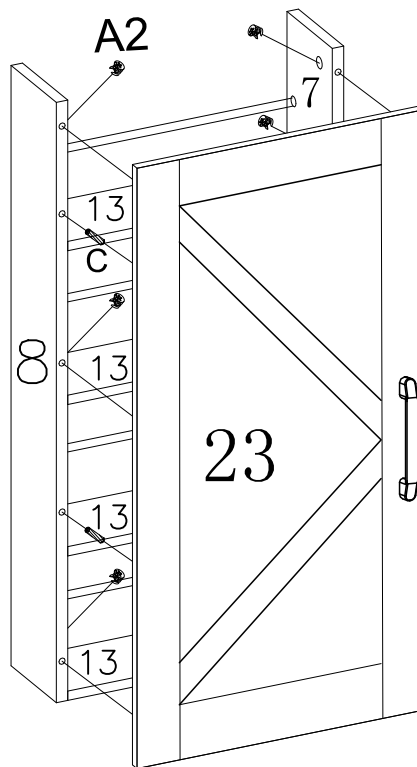
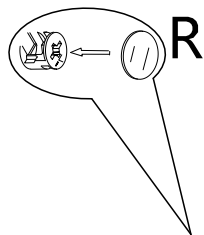
	H × 2PCS		D × 2PCS
	G × 1PC		N2 × 1PC
			A1 × 6PCS




STEP 13



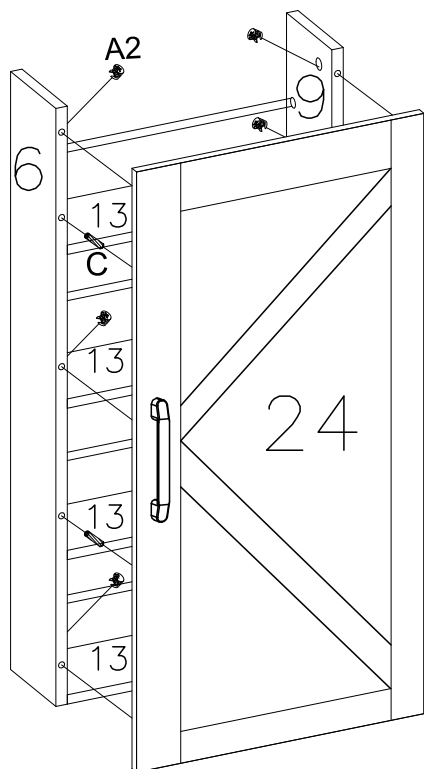
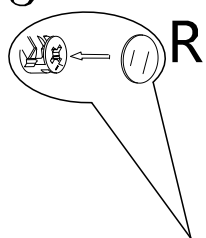
		H × 2PCS		D × 2PCS	
	G × 1PC		N2 × 1PC		A1 × 6PCS

STEP 14



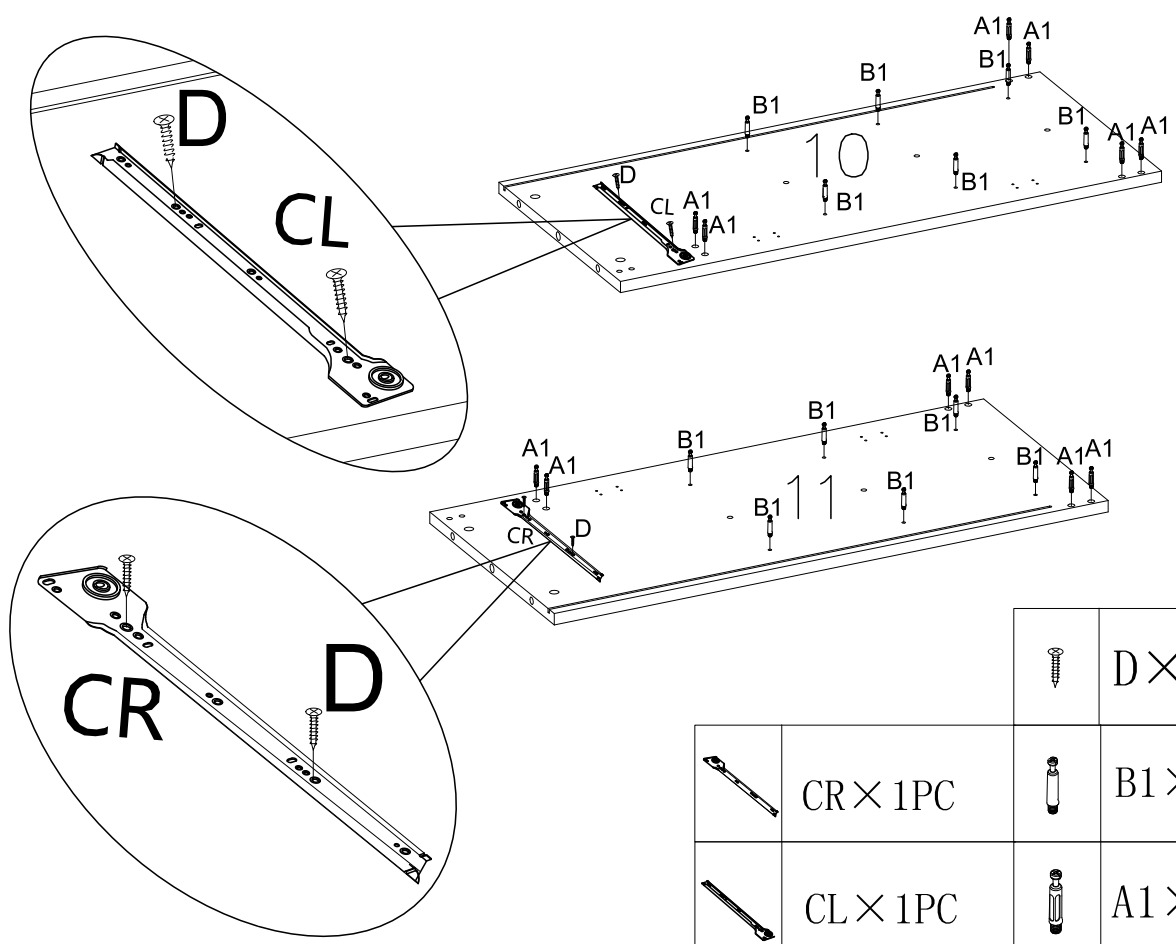
		A2 × 6PCS	
	RX 6PCS		C × 4PCS

STEP 15



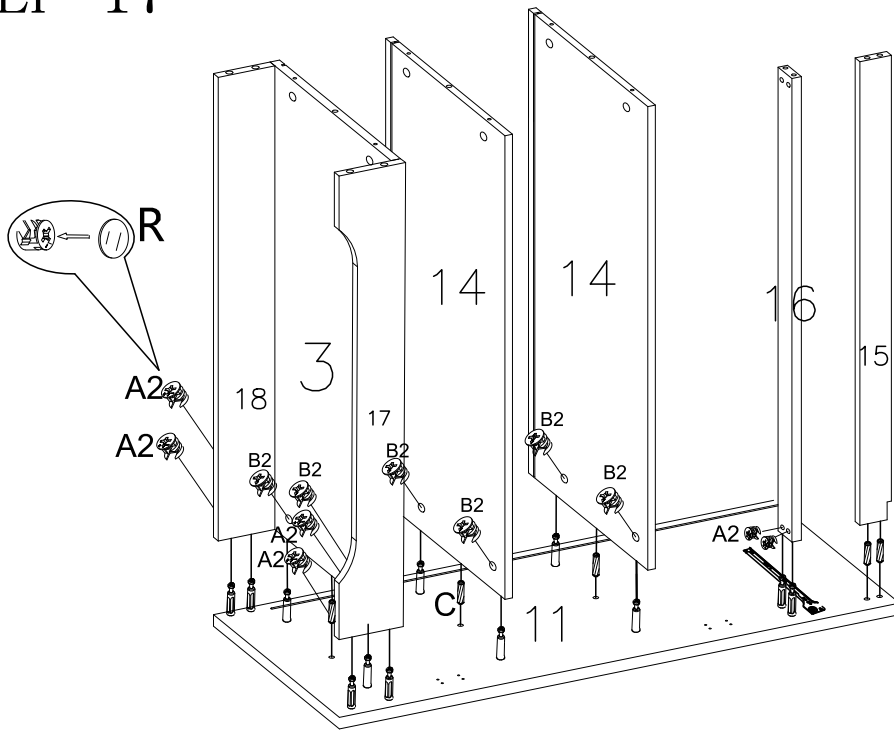
		A2 × 6PCS
	RX 6PCS	C × 4PCS



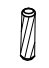

STEP 16



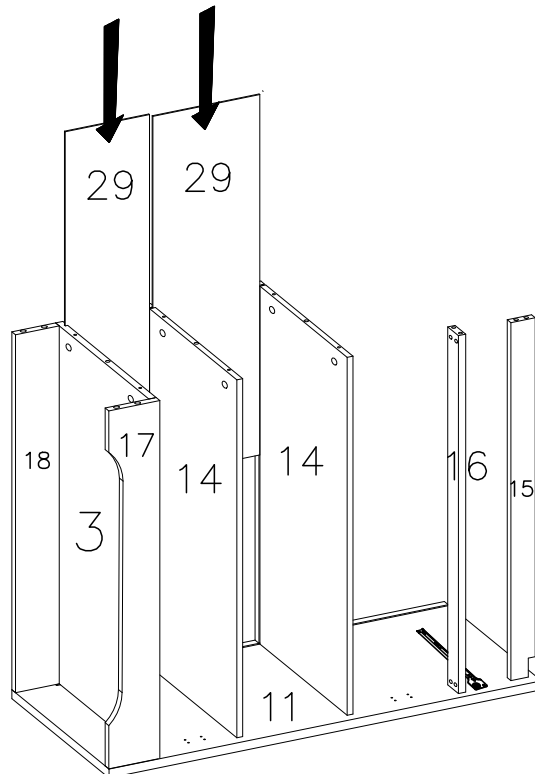
		D × 4PCS
	CR × 1PC	B1 × 12PCS
	CL × 1PC	A1 × 12PCS

STEP 17

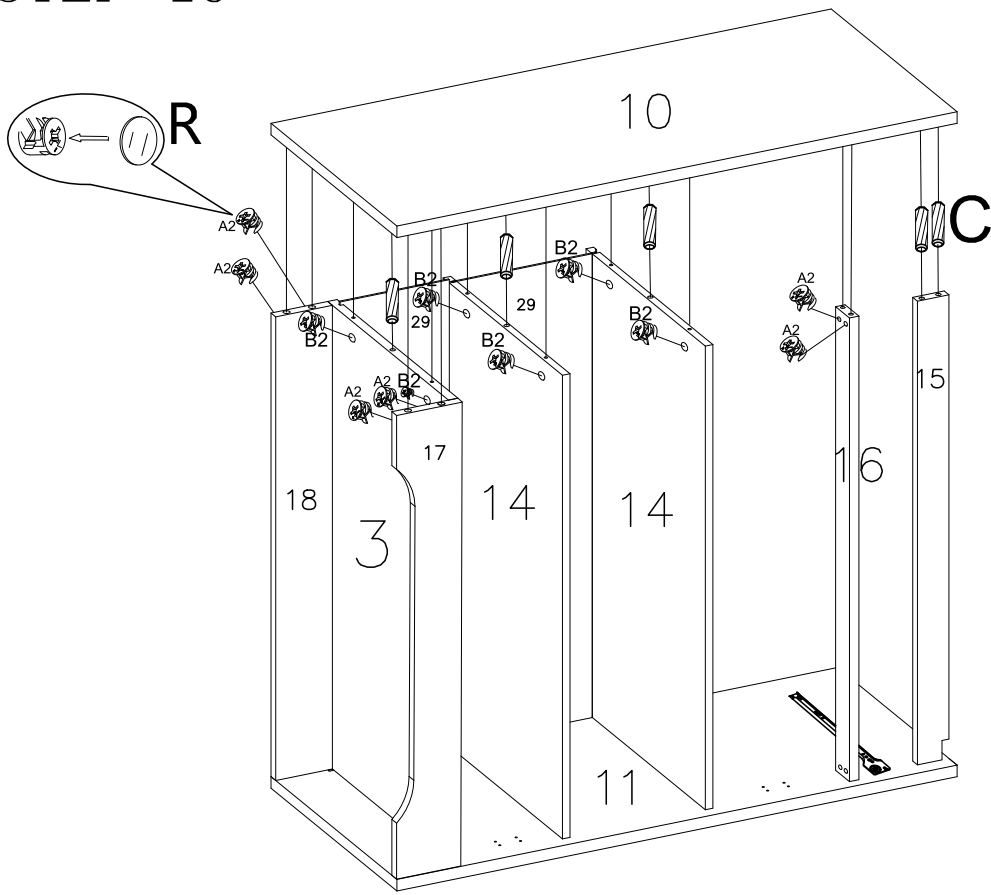



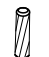


	R × 12PCS		B2 × 6PCS
	C × 5PCS		A2 × 6PCS

STEP 18

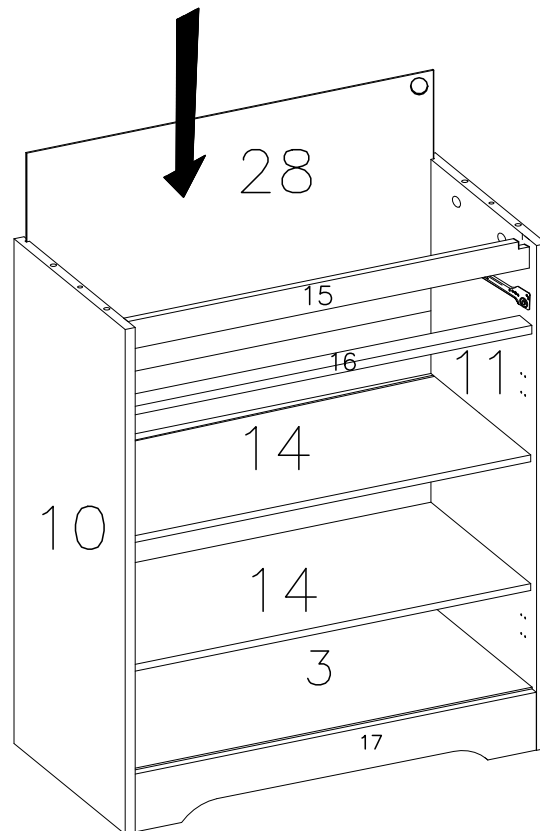


STEP 19

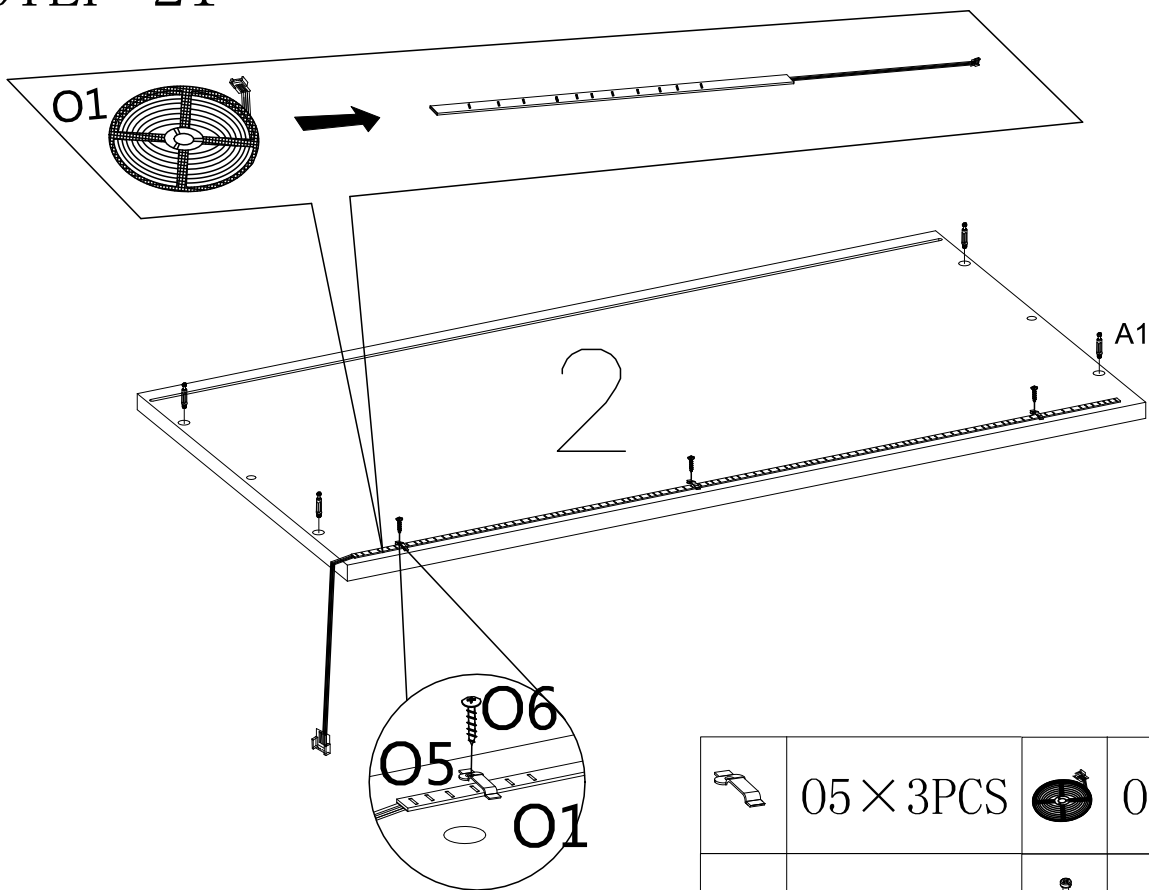






	R × 12PCS
	C × 5PCS
	B2 × 6PCS
	A2 × 6PCS

STEP 20

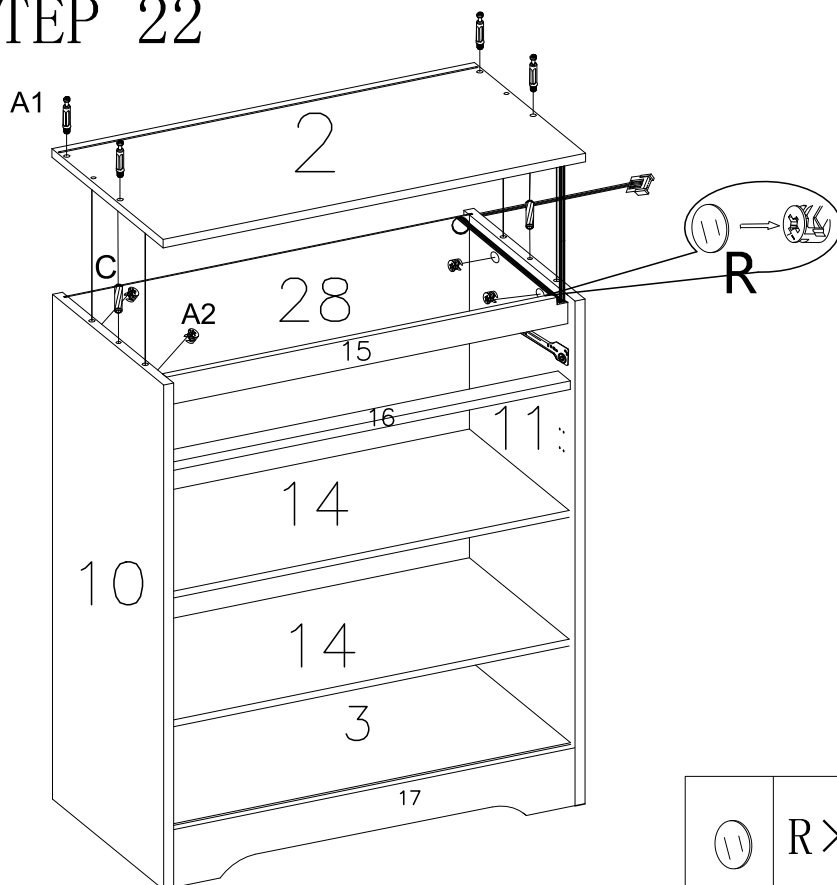






STEP 21



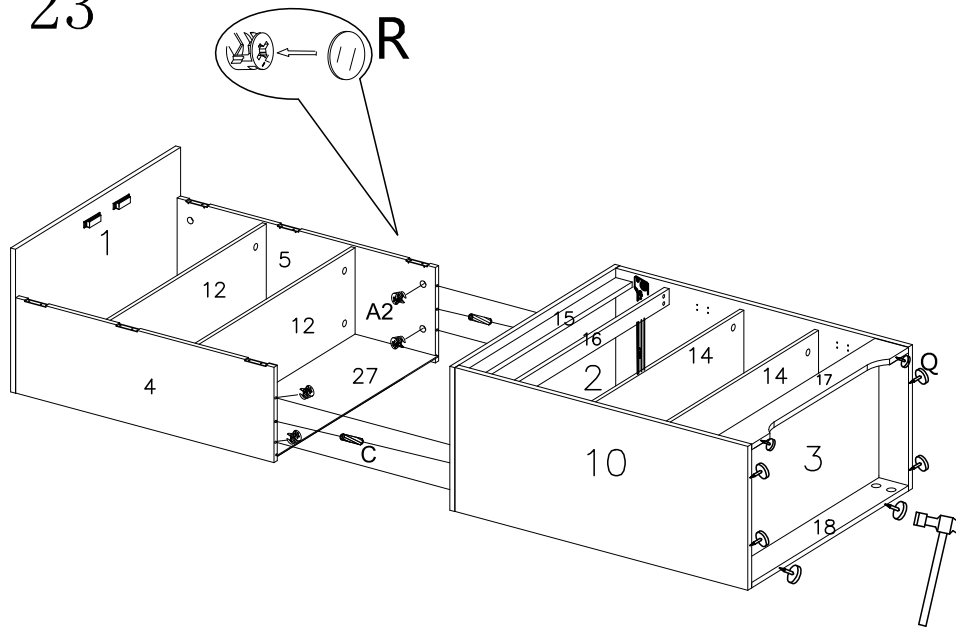
	05 × 3PCS		01 × 1PC
	06 × 3PCS		A1 × 4PCS





STEP 22



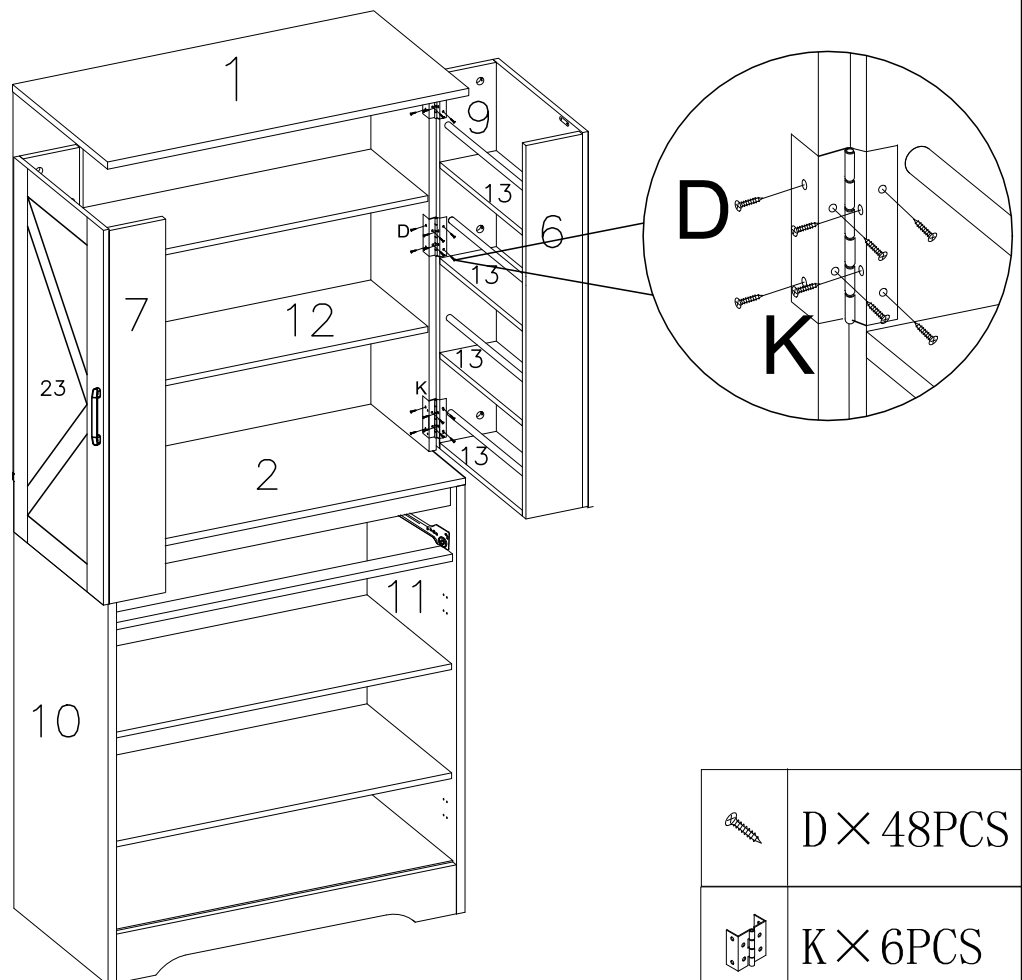
	R × 4PCS		A1 × 4PCS
	A2 × 4PCS		C × 2PCS



STEP 23



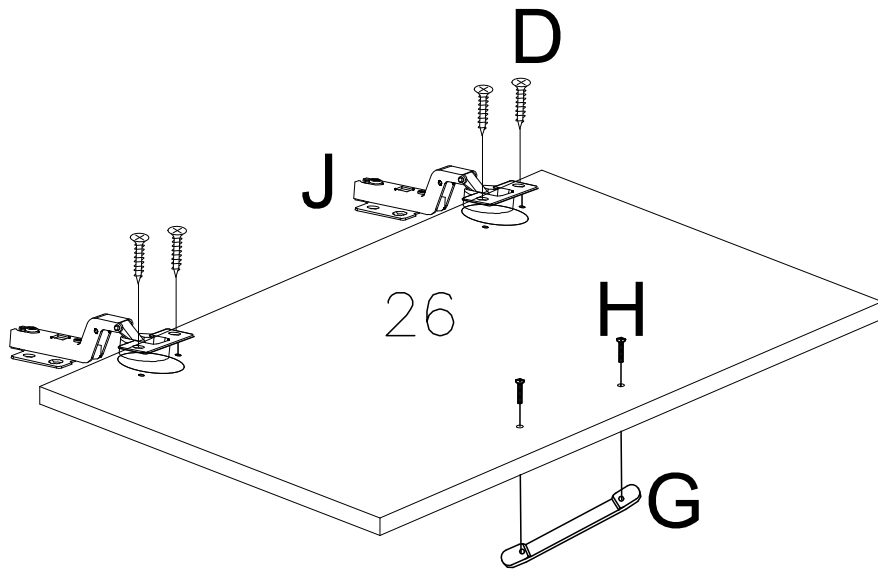
	RX 4PCS		Q × 8PCS
	A2 × 4PCS		C × 2PCS





STEP 24



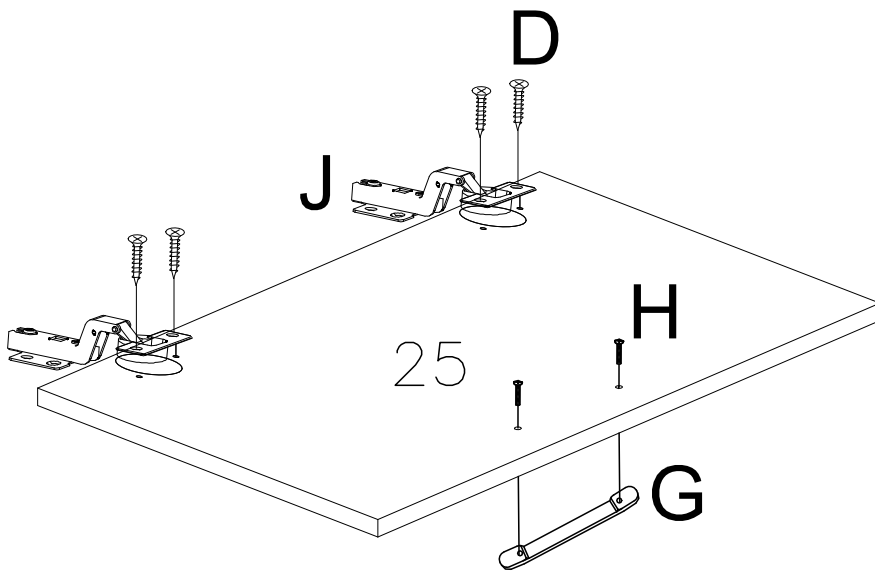
	D × 48PCS
	K × 6PCS





STEP 25



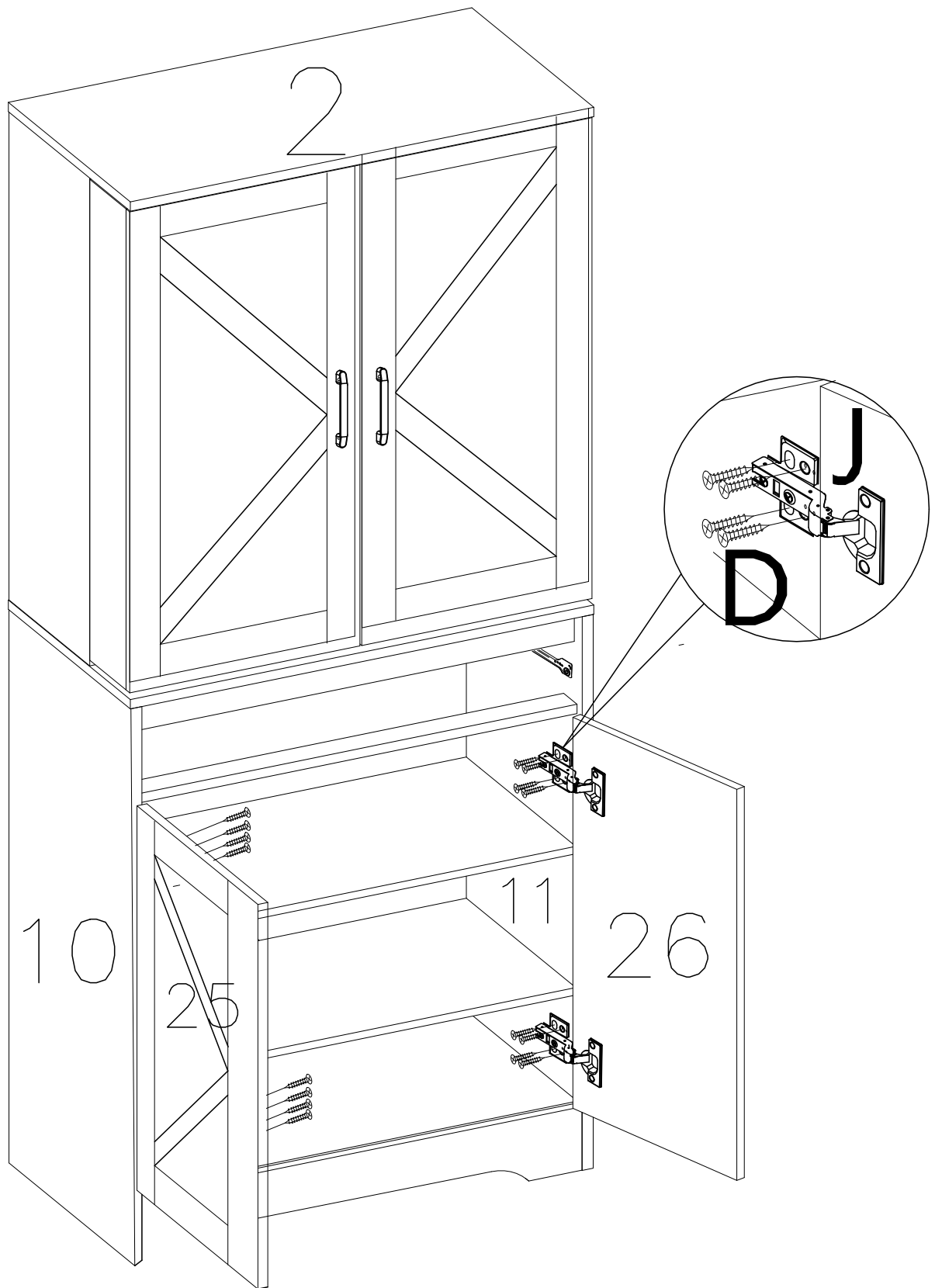
	G × 1PC		J × 2PCS
	H × 2PCS		D × 4PCS

STEP 26



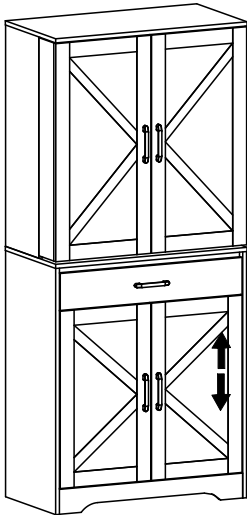
	G × 1PC		J × 2PCS
	H × 2PCS		D × 4PCS

STEP 27

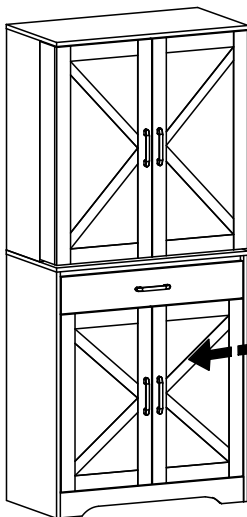
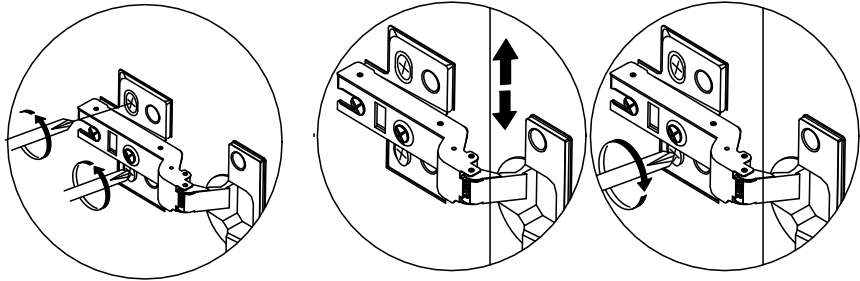


D × 16PCS

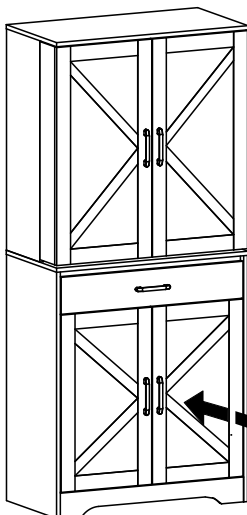
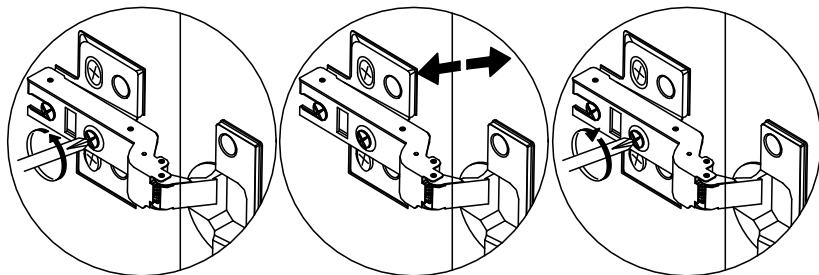
STEP 28



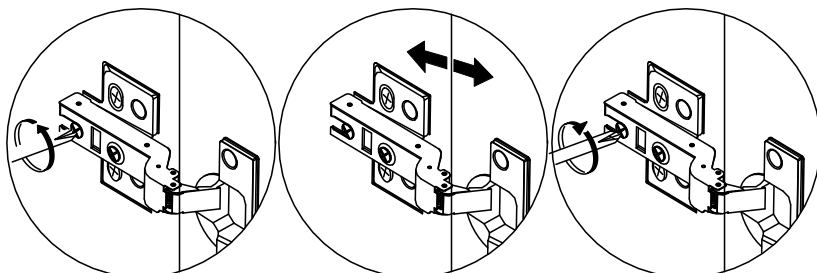
Cabinet door up and down fine adjustment



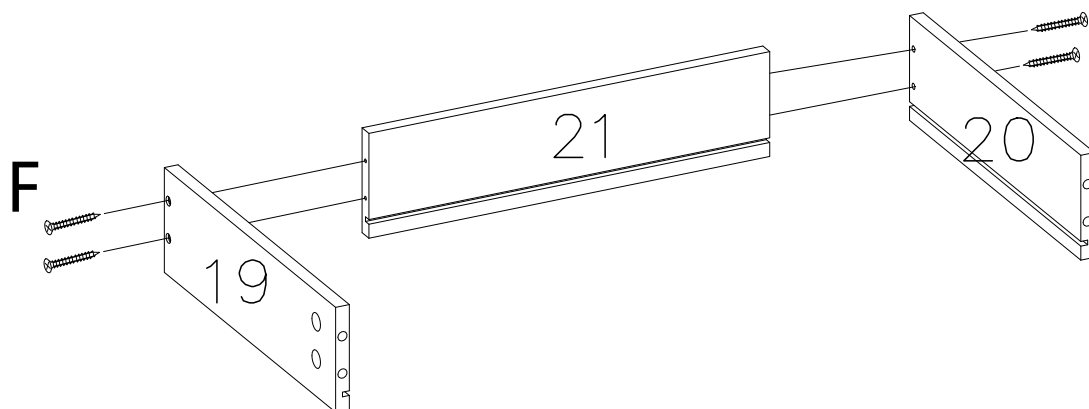
Cabinet door left and right fine adjustment




Fine-tune the gap after the cabinet door is closed

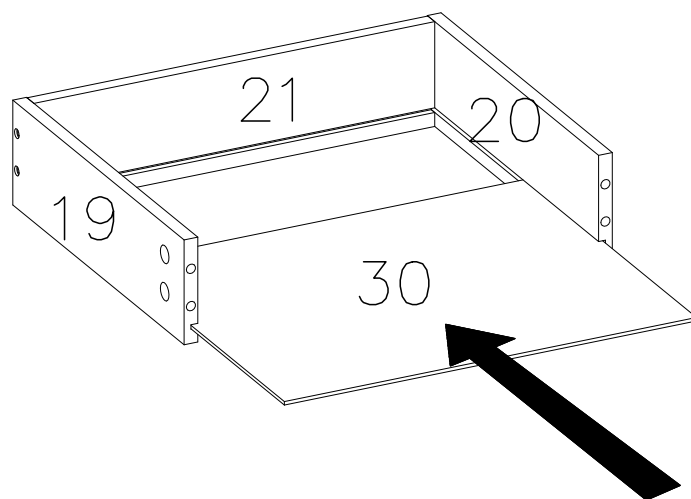


STEP 29

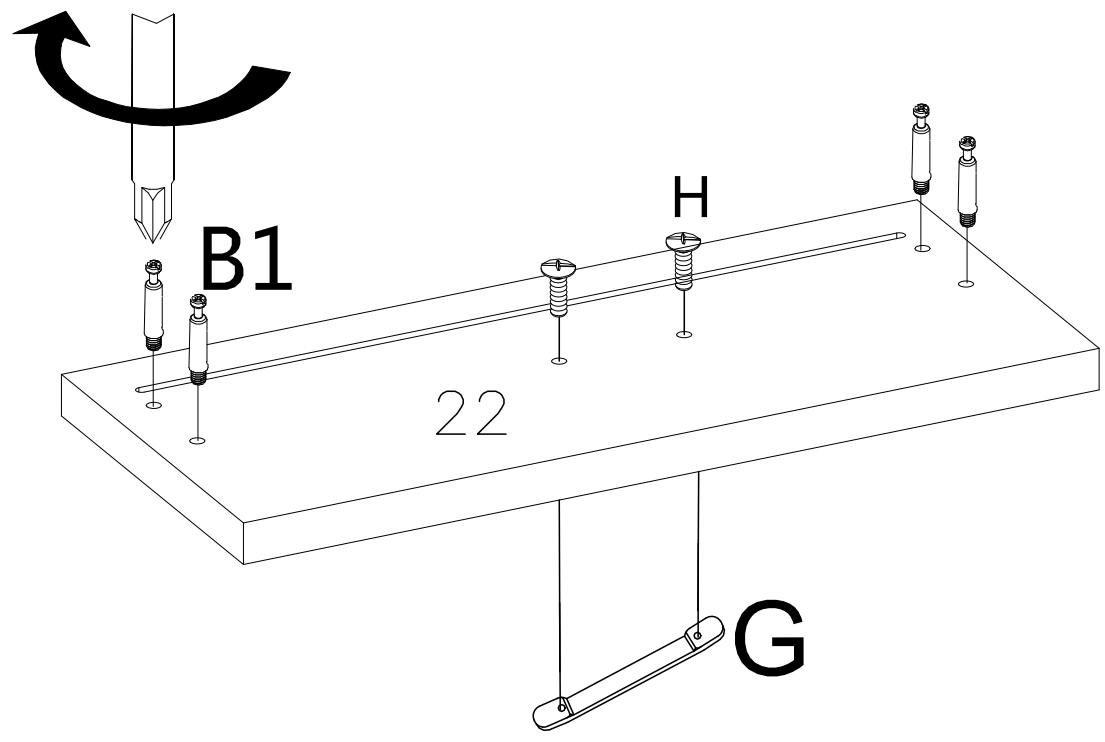
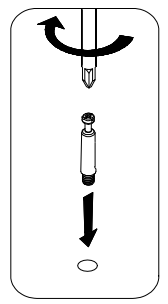
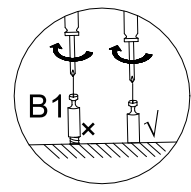





 F × 4PCS

STEP 30

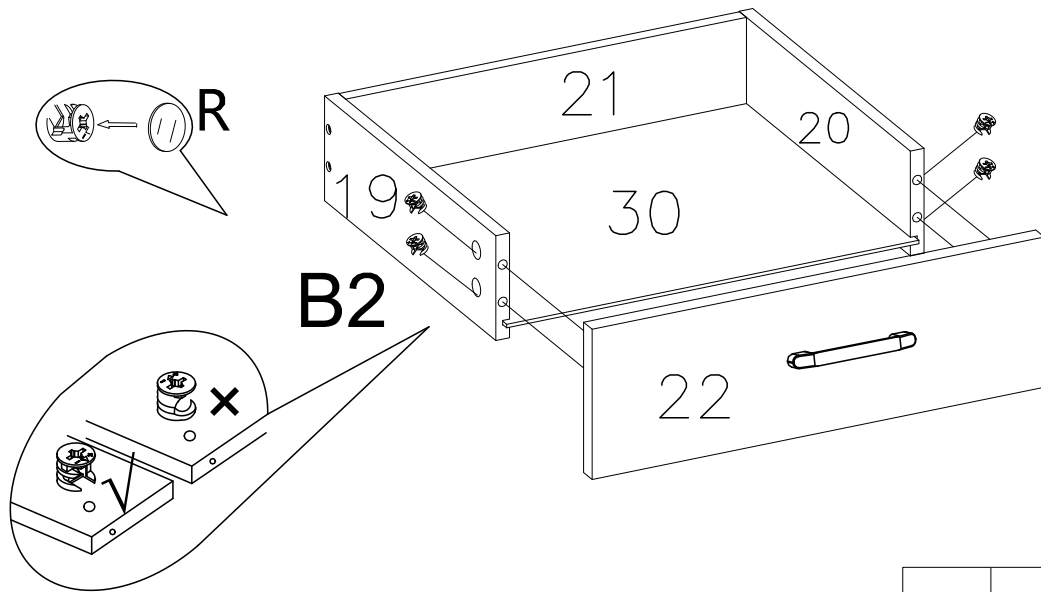




STEP 31



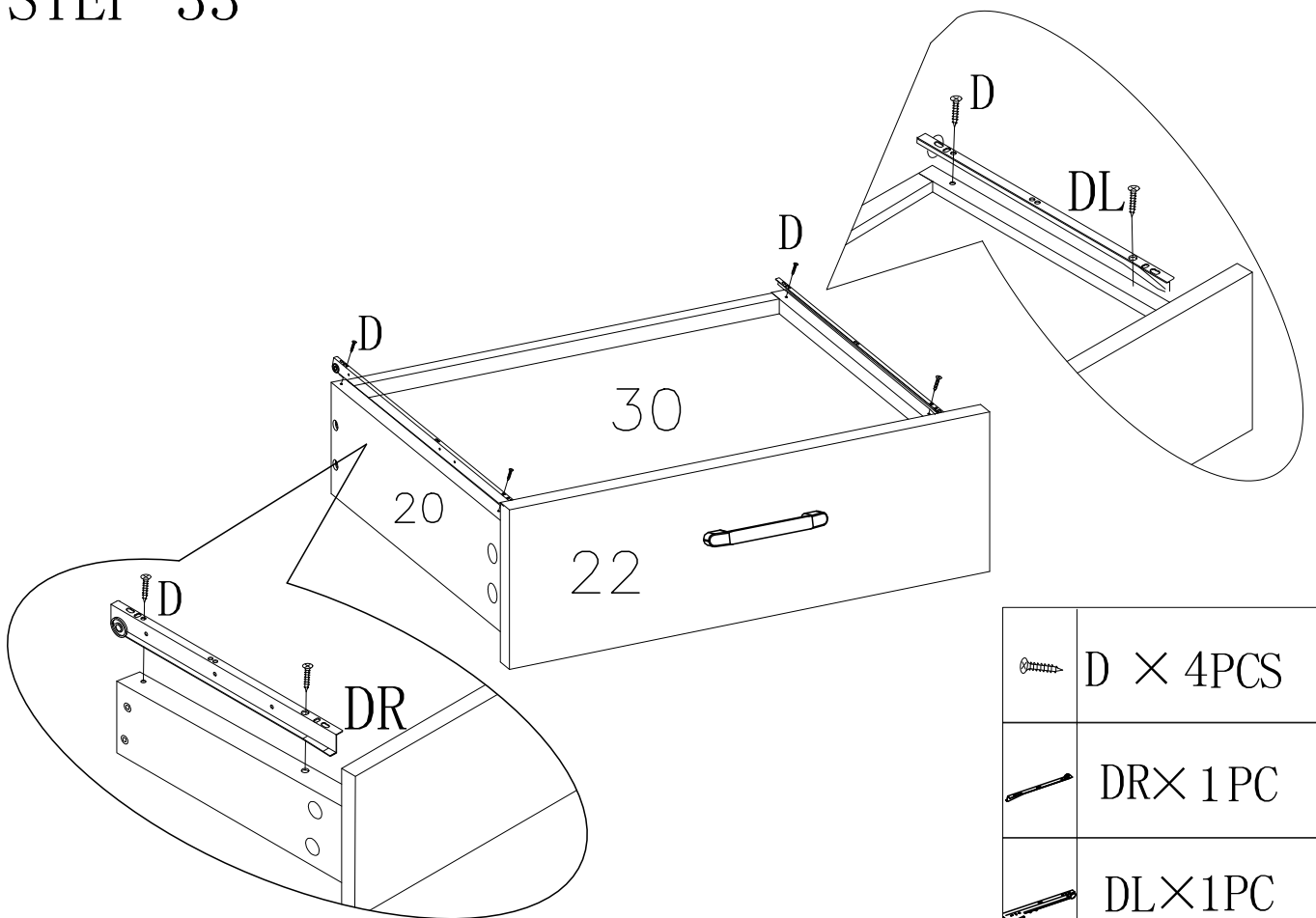
			G × 1PC
	B1 × 4PCS		H × 2PCS




STEP 32



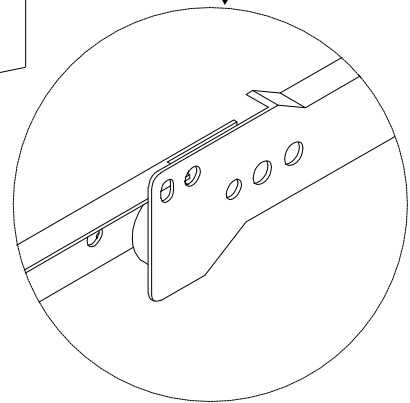
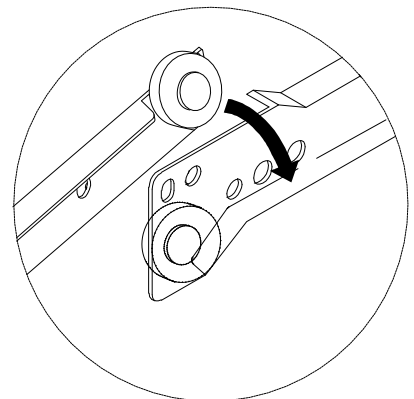
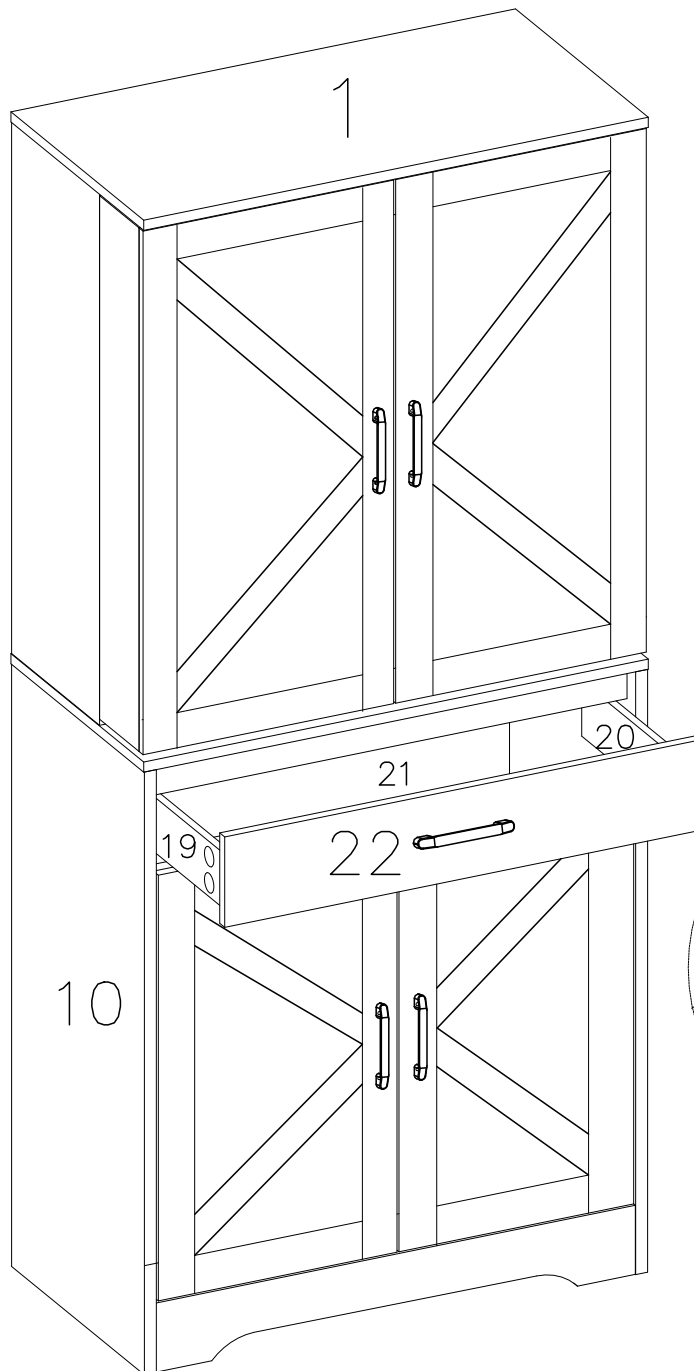
	R × 4PCS
	B2 × 4PCS

STEP 33

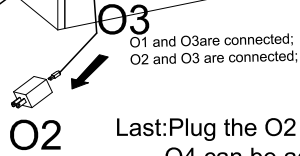
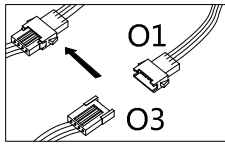
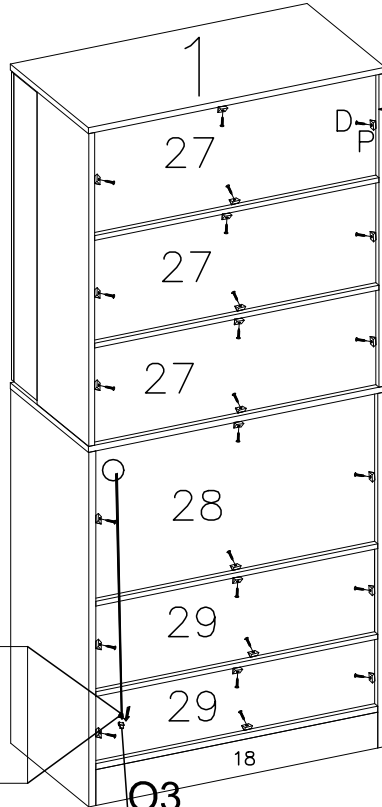


	D × 4PCS
	DR × 1PC
	DL × 1PC

STEP 34



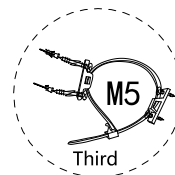
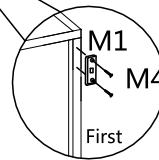
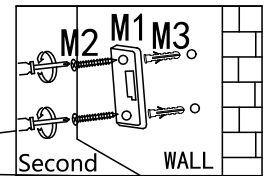
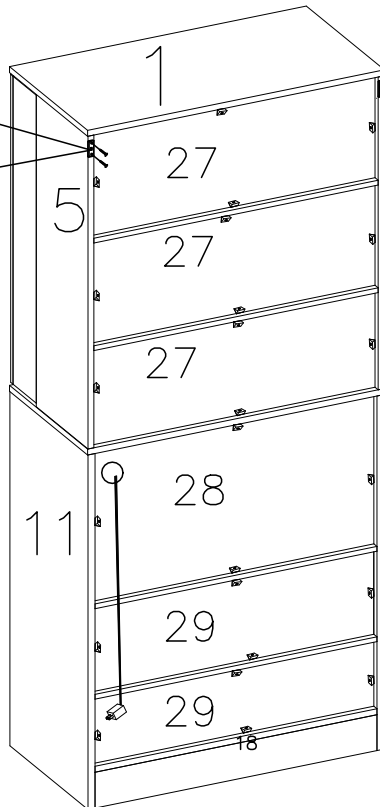
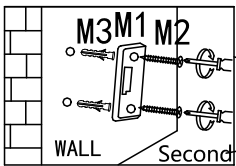
STEP 35



Make sure the arrows are in the same position!

	D × 24PCS
	P × 24PCS
	O3 × 1PC
	O2 × 1PC
	O4 × 1PC

STEP 36



	M1		M2	M × 2PCS
	M5			
	M4		M3	