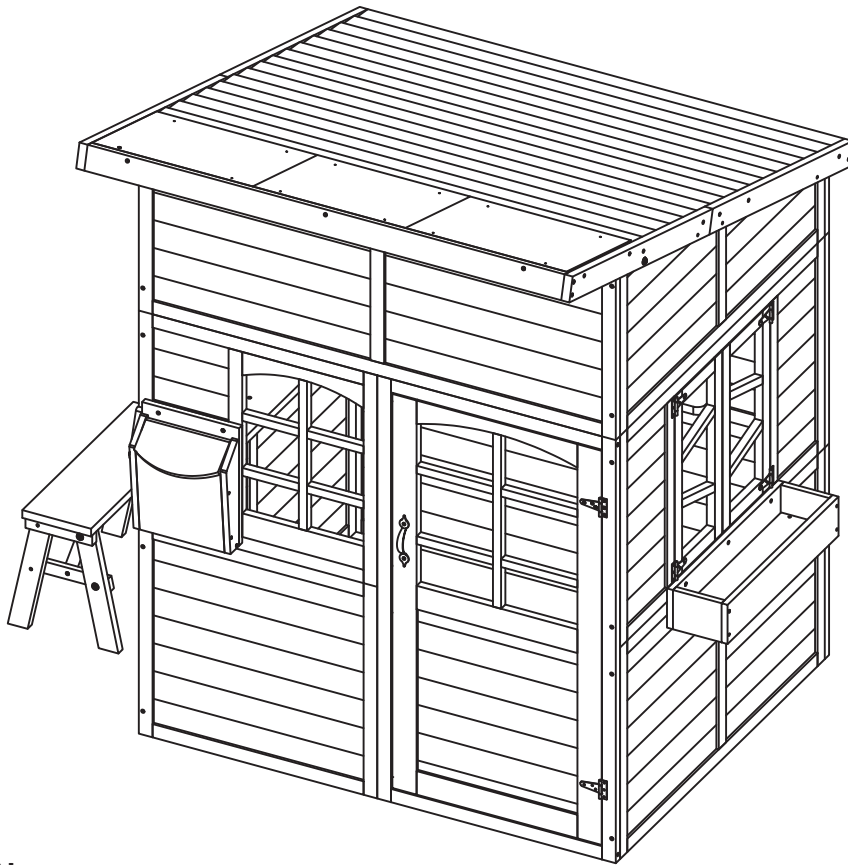


Assembly Guide

PXXZIP099



ATTENTION

Thanks for choosing our product.

1. There will be 2 boxes in total for this whole product.

(We will hand over all the boxes to the logistics provider together, but they may transport them separately, which may result in inconsistent arrival times of the boxes.)

2. Please check the manual carefully and make sure you have received all the parts.

3. If there is any missing, please let us know the letter of the parts you need.

4. If there is any damage, please send clear photos to us, we will check and offer you best solution soon.

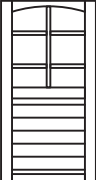
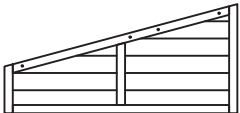
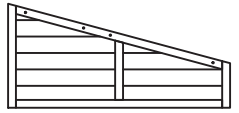
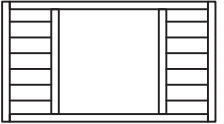
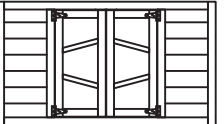
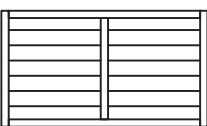
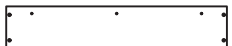
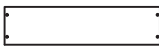
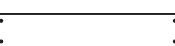

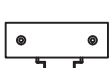
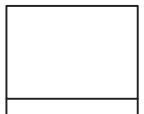
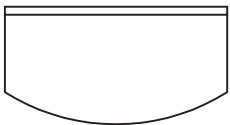
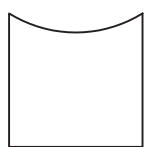
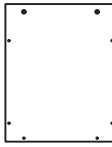

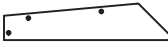
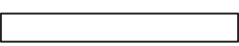


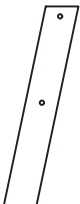

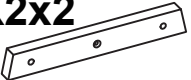
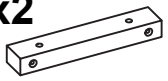
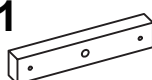

5. Warning! Only adults are allowed to install, please keep away from children.

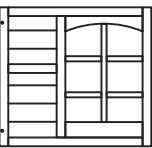
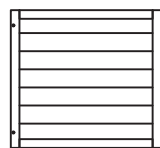
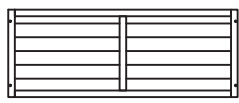
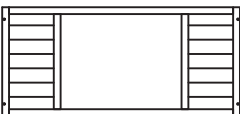
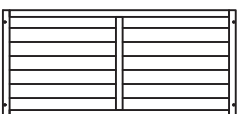
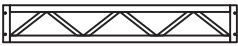

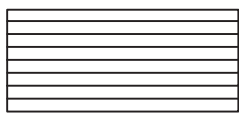
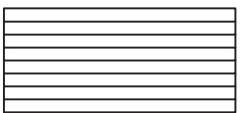
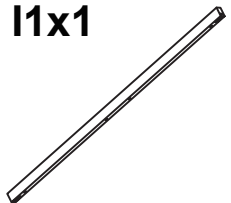
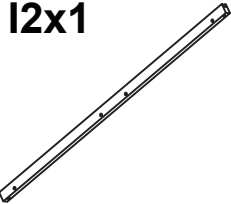



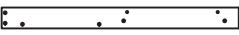
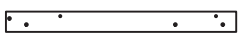
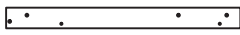
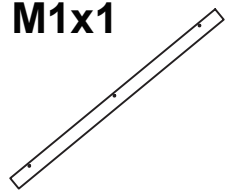
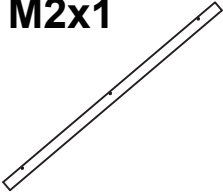
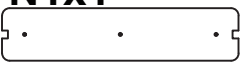
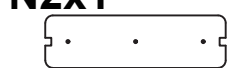

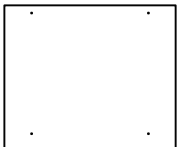

Please read the instructions COMPLETELY before assembly, Please check if you have all the parts listed in the part list. you have any missing parts, please contact us. If there's any damage might be caused in the transportation, please send us clear pictures for replacements. This tent MUST be securely anchored before putting up.

When unpacking the parts, keep them away from children. smaller parts could be swallowed and suffocation can be caused by plastic bags!

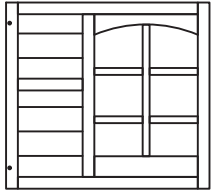
READ AND SAVE THIS INSTRUCTIONS FOR FUTURE USE

ASSEMBLY & INSTRUCTION MANUAL

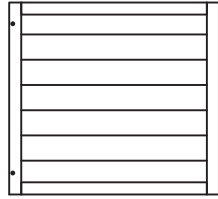
Cx1 	G1x1 	G2x1 	H1x1 	H2x1 
H3x2 	O1x1 	O2x1  O3x1 	P1x1  P2x1 	Qx2 
Rx1 	Sx1 	Tx1 	U1x1  U2x1 	U3x1  U4x1 
Vx1 	Wx4 	X1x2  X2x2 	Z1x2  Z2x1 	 Hardware Kit

A1x1 	A2x1 	Bx1 	D1x1 	D2x1 
Ex1 	F1x1 	F2x1 	F3x1 	I1x1 
I2x1 	J1x1  J2x1 	K1x1  K2x1 	L1x1  L2x1 	M1x1 
M2x1 	N1x1  N2x1 	Y1x1 	Y2x1 	Y3x1 

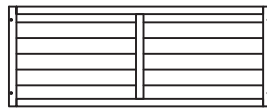
A1x1



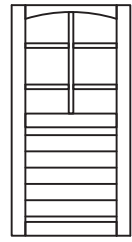
A2x1



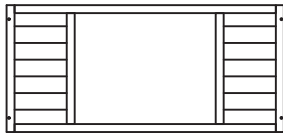
Bx1



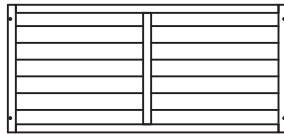
Cx1



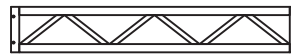
D1x1



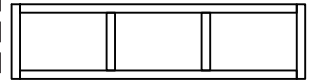
D2x1



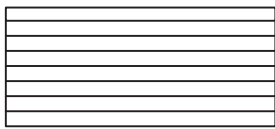
Ex1



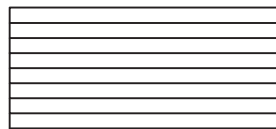
F1x1



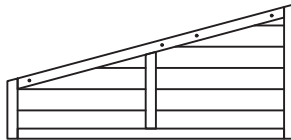
F2x1



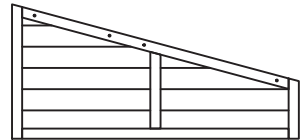
F3x1



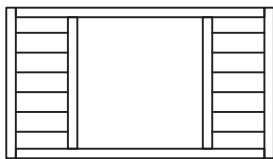
G1x1



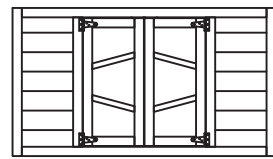
G2x1



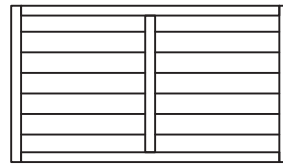
H1x1



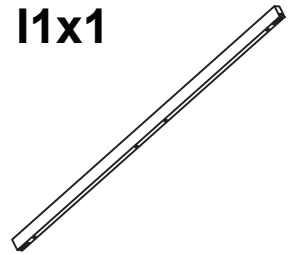
H2x1



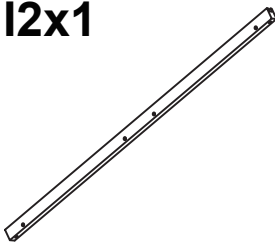
H3x2



I1x1



I2x1



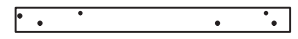
J1x1



K1x1



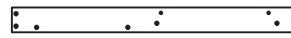
L1x1



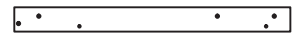
J2x1



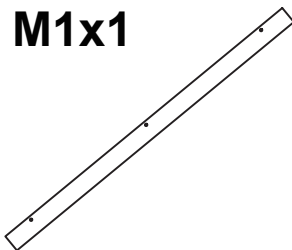
K2x1



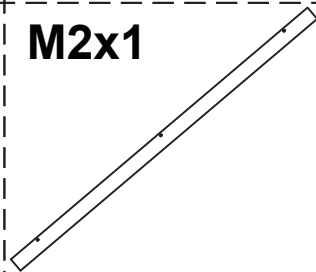
L2x1



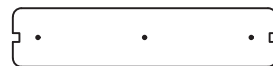
M1x1



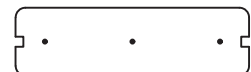
M2x1



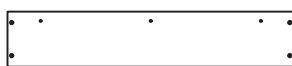
N1x1



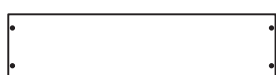
N2x1



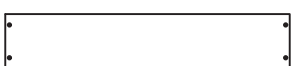
O1x1



O2x1



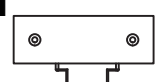
O3x1

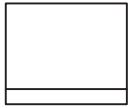
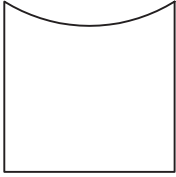

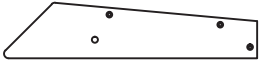
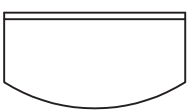
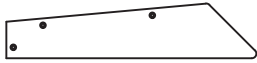
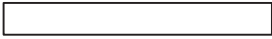

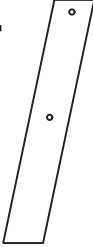
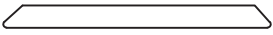

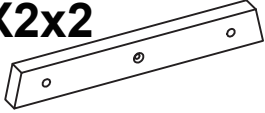


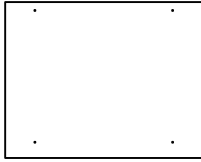
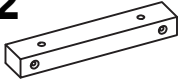
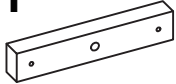
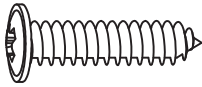






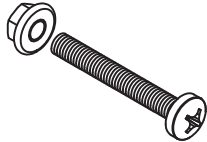
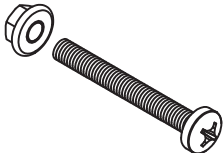


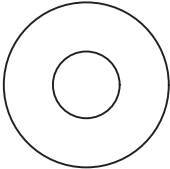
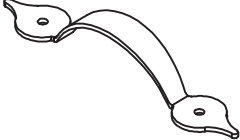
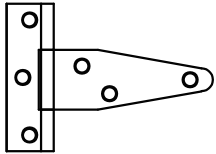

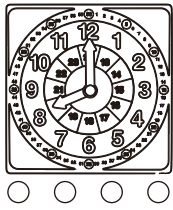

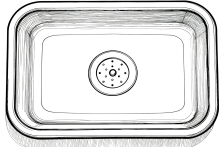


P1x1

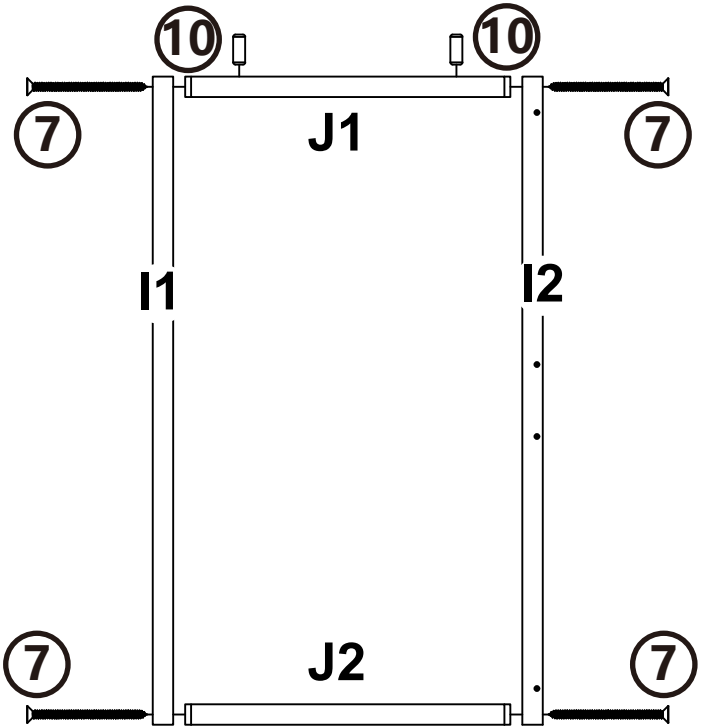
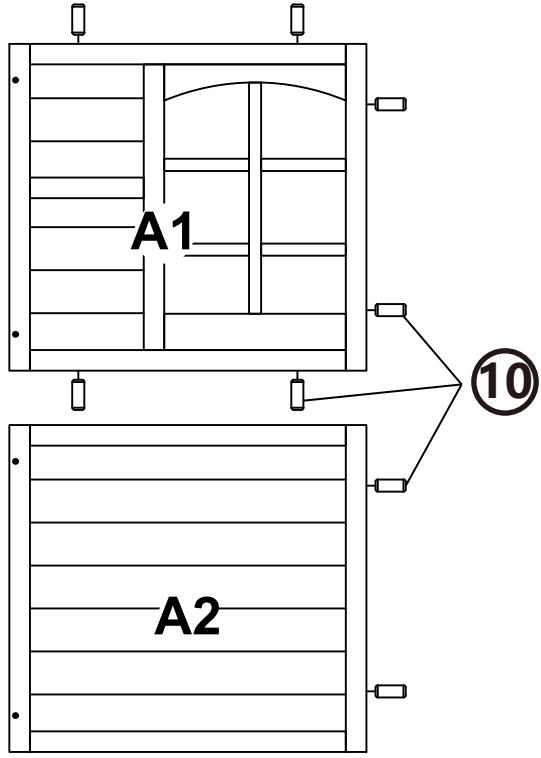


P2x1

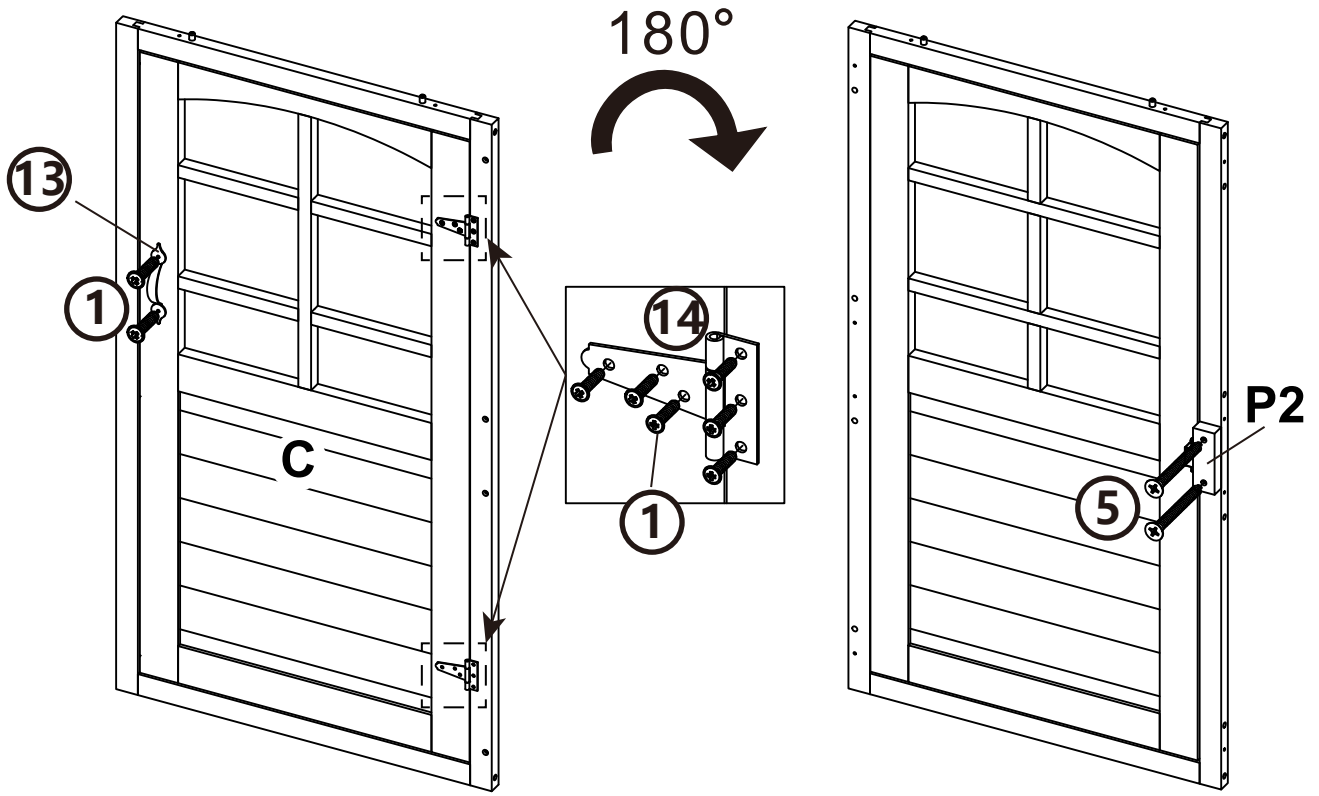


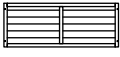

<p>Qx2</p> 	<p>Sx1</p> 	<p>Tx1</p> 	<p>U1x1</p> 	
<p>Rx1</p> 			<p>U2x1</p> 	
<p>U3x1</p> 	<p>Vx1</p> 	<p>Wx4</p> 	<p>X1x2</p> 	
<p>U4x1</p> 			<p>X2x2</p> 	
<p>Y1x1</p> 	<p>Y2x1</p> 	<p>Y3x1</p> 	<p>Z1x2</p> 	
			<p>Z2x1</p> 	
<p>①x26+2</p> 	<p>②x4</p> 	<p>③x20+1</p> 	<p>④x7+1</p> 	<p>⑤x64+2</p> 
M3.0*14mm	M3.0*25mm	M3.0*30mm	M3.5*25mm	M3.5*35mm
<p>⑥x4</p> 	<p>⑦x22+1</p> 	<p>⑧x1</p> 	<p>⑨x16+1</p> 	<p>⑩x51+2</p>  wood stick $\phi 8 * 20mm$
M3.5*45mm	M3.5*50mm	M6.0*40mm	M6.0*50mm	
<p>⑪x2</p>  wood stick $\phi 6 * 20m$	<p>⑫x18+1</p> 	<p>⑬x1</p> 	<p>⑭x2</p> 	
<p>⑮x1</p> 	<p>⑯x1</p> 	<p>⑰x1</p> 	<p>⑱x1</p> 	

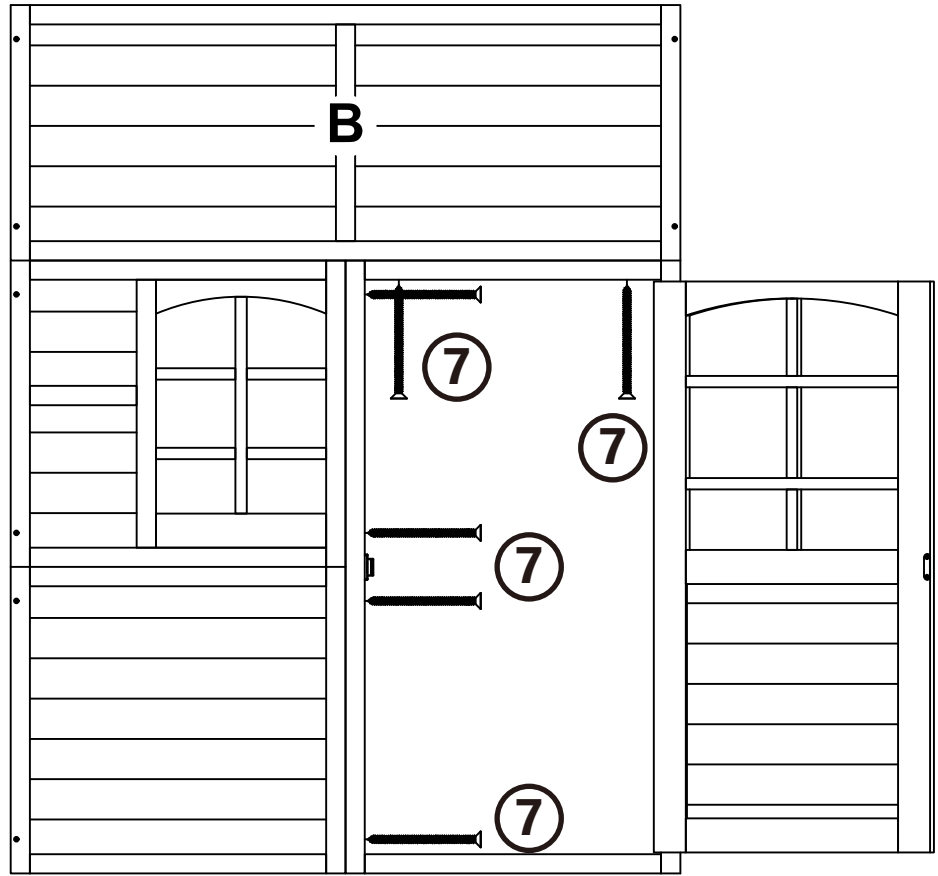
PART								wood stick
NO	A1	A2	I1	I2	J1	J2	⑦	⑩
QIT	1	1	1	1	1	1	4	10








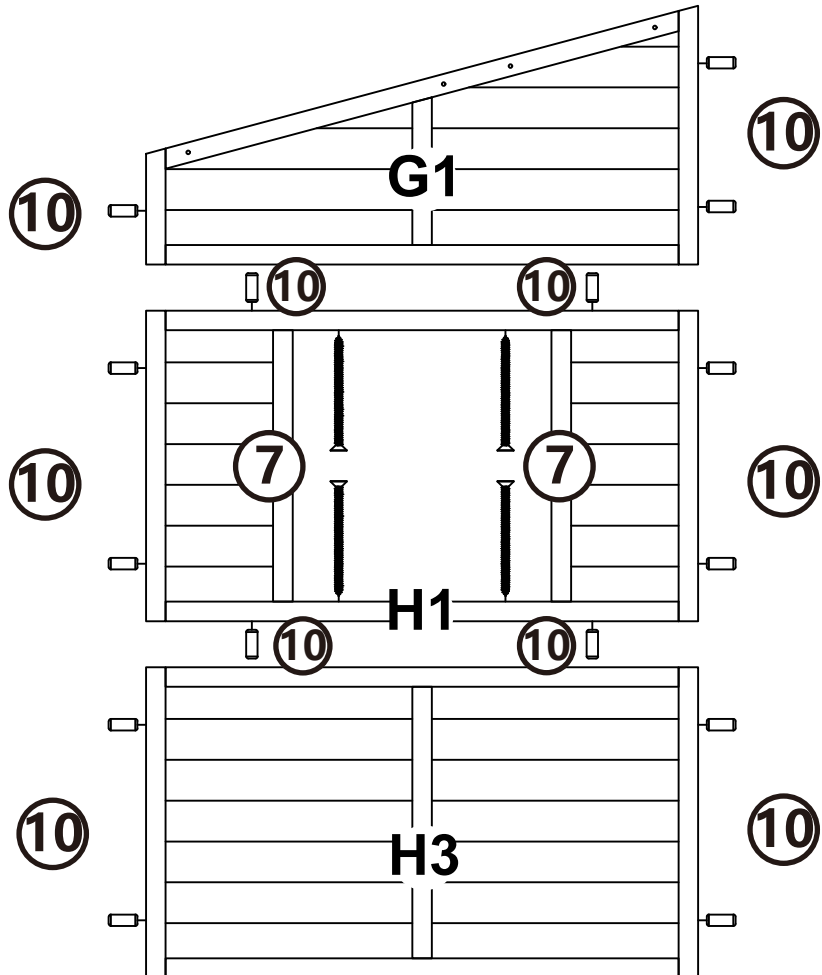
PART						
NO	C	P2	①	⑤	⑬	⑭
QIT	1	1	14	2	1	2



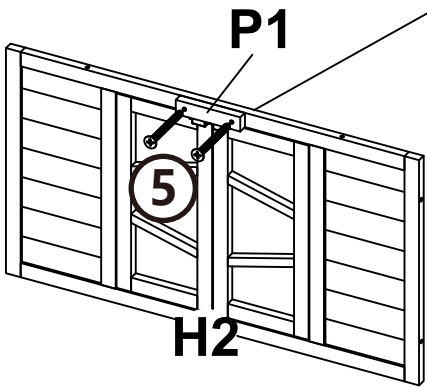
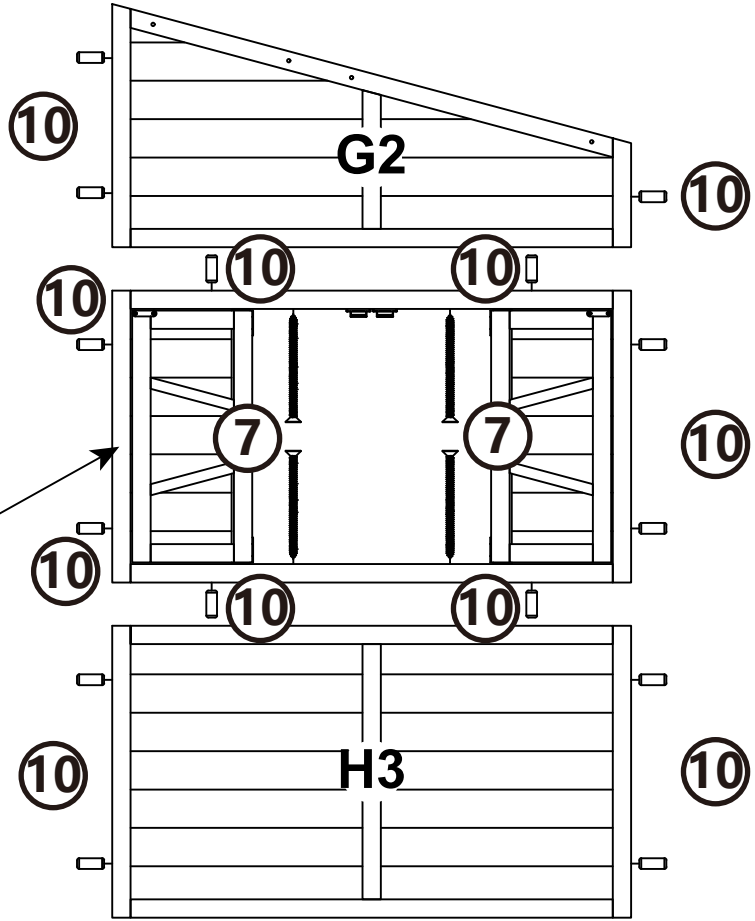
PART	NO	QIT
	B	1
	7	6



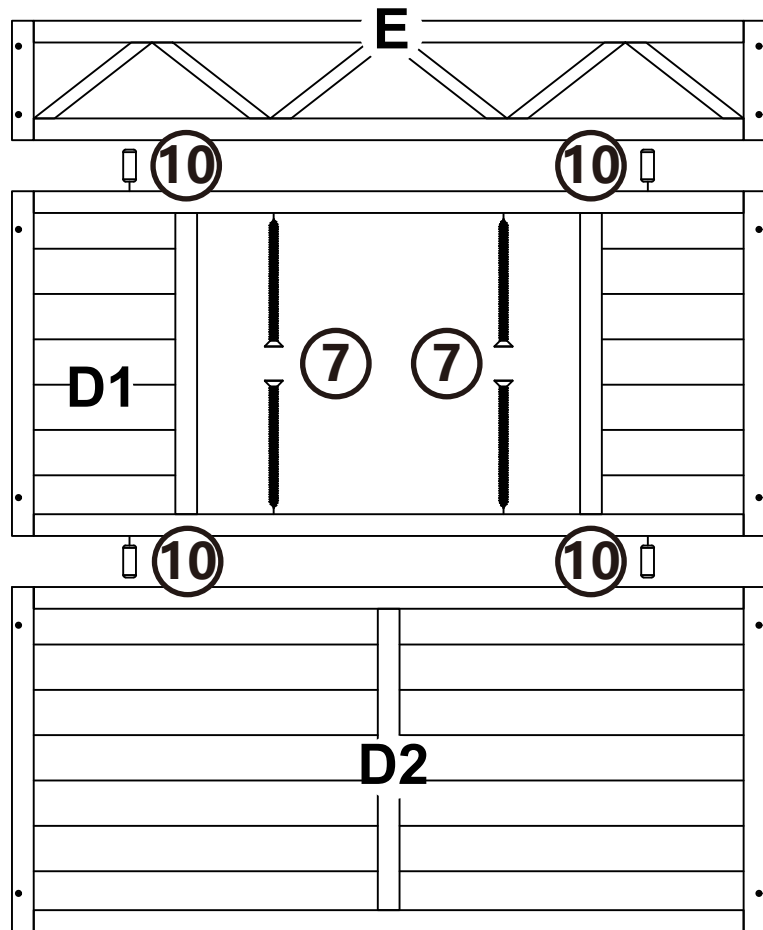
PART	NO	QIT
	G1	1
	H1	1
	H3	1
	7	4
 wood stick	10	15




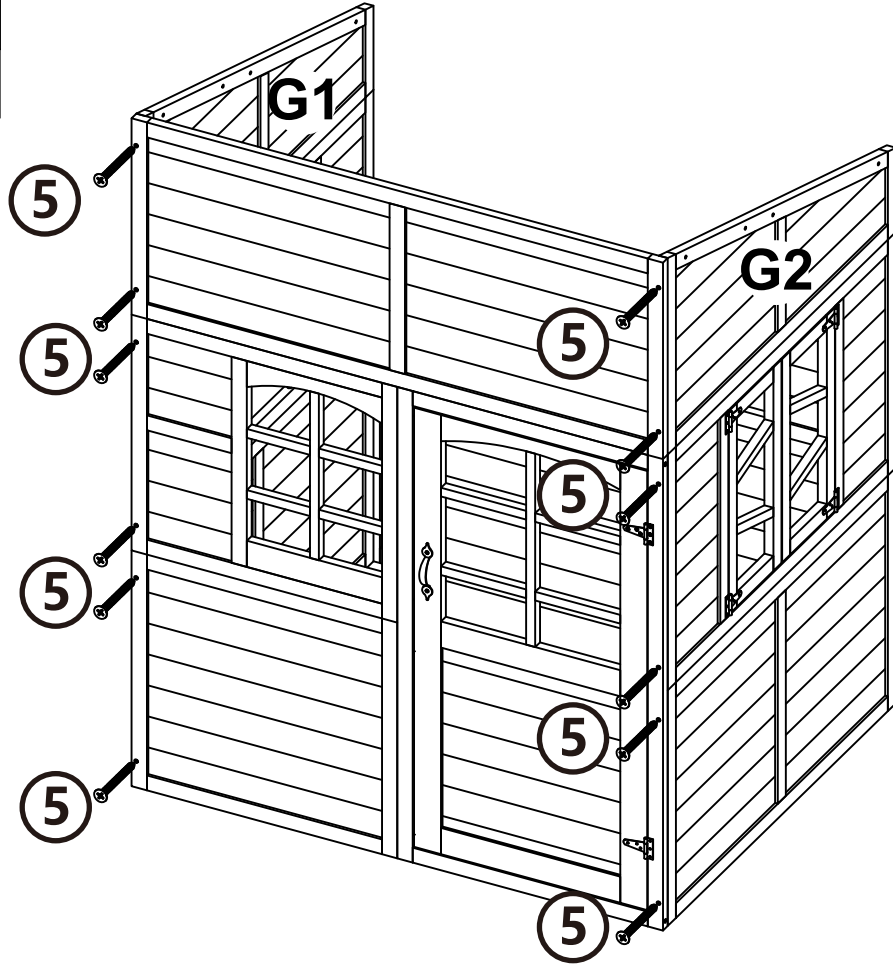
PART	NO	QIT
	G2	1
	H2	1
	H3	1
	P1	1
	(5)	2
	(7)	4
	(10)	15




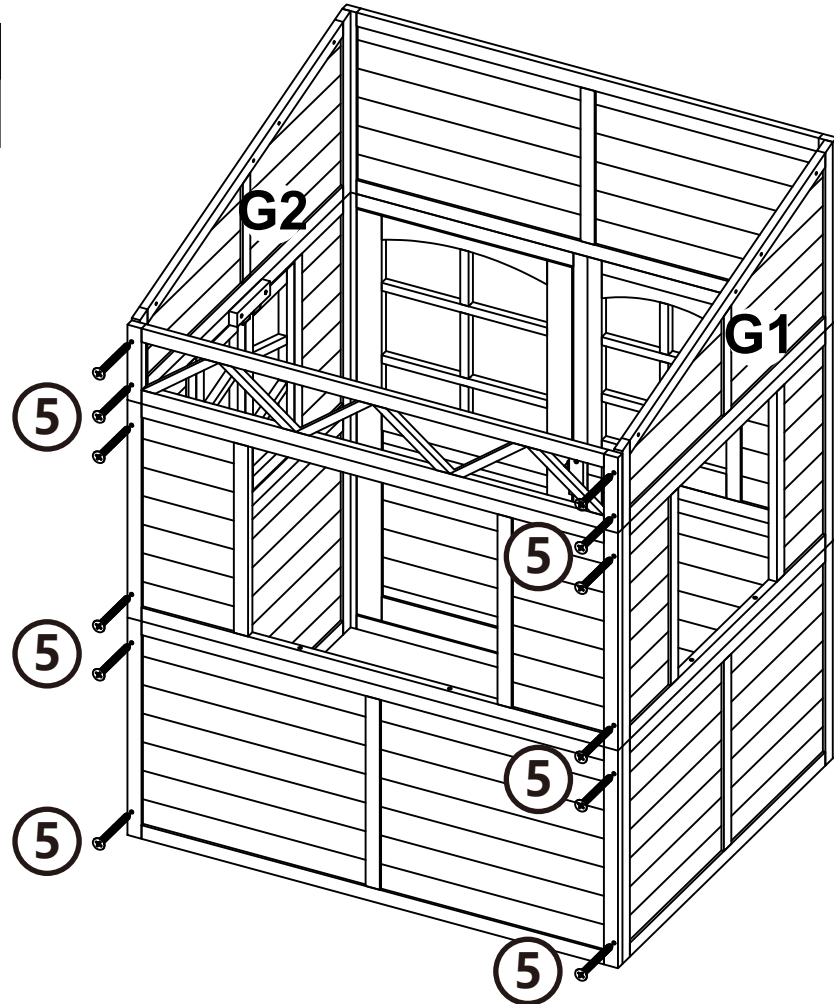
PART	NO	QIT
	D1	1
	D2	1
	E	1
	(7)	4
	(10)	4



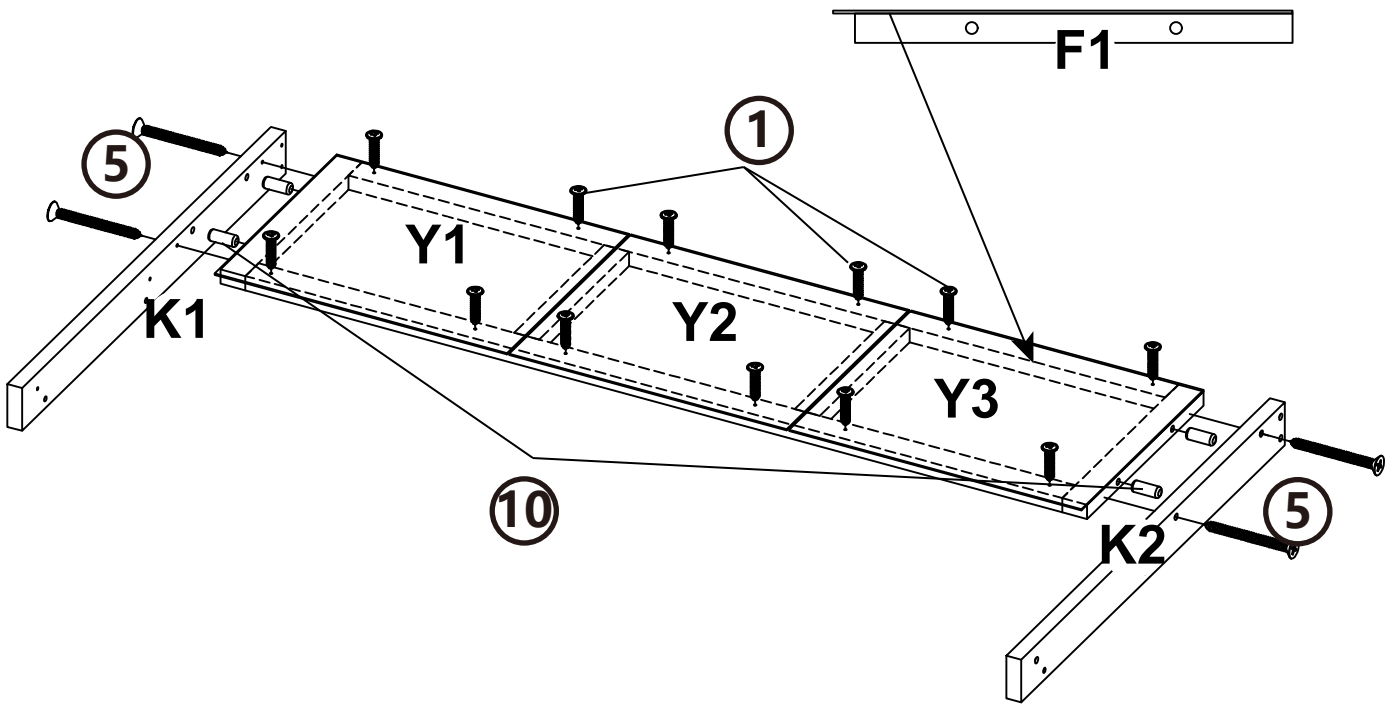
PART	NO	QIT
	5	12



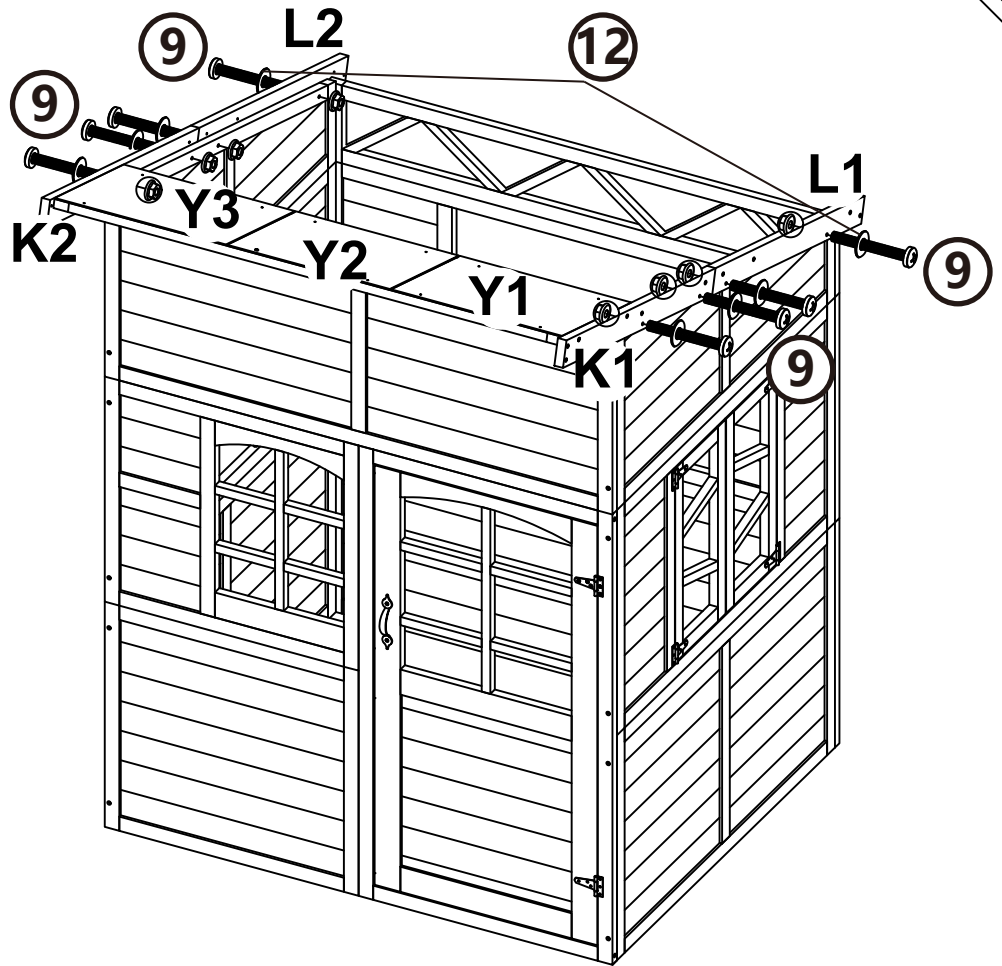
PART	NO	QIT
	5	12





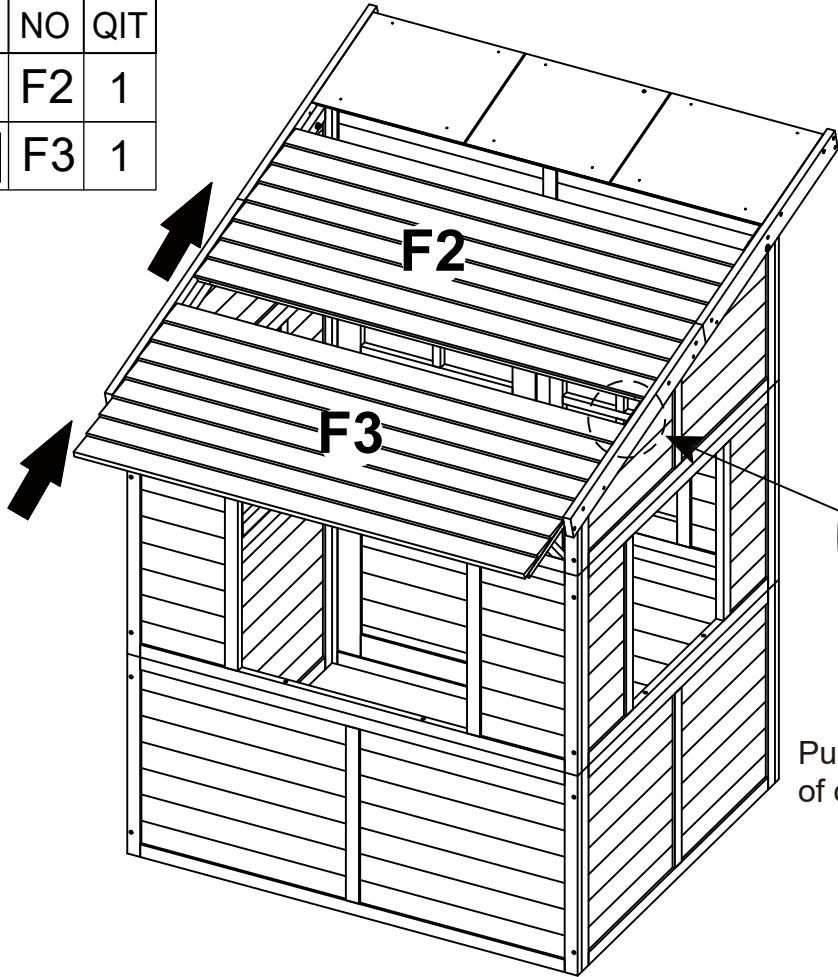
PART									
NO	F1	K1	K2	Y1	Y2	Y3	①	⑤	⑩
QIT	1	1	1	1	1	1	12	4	4




PART	NO	QIT
	L1	1
	L2	1
	⑨	8
	⑫	8

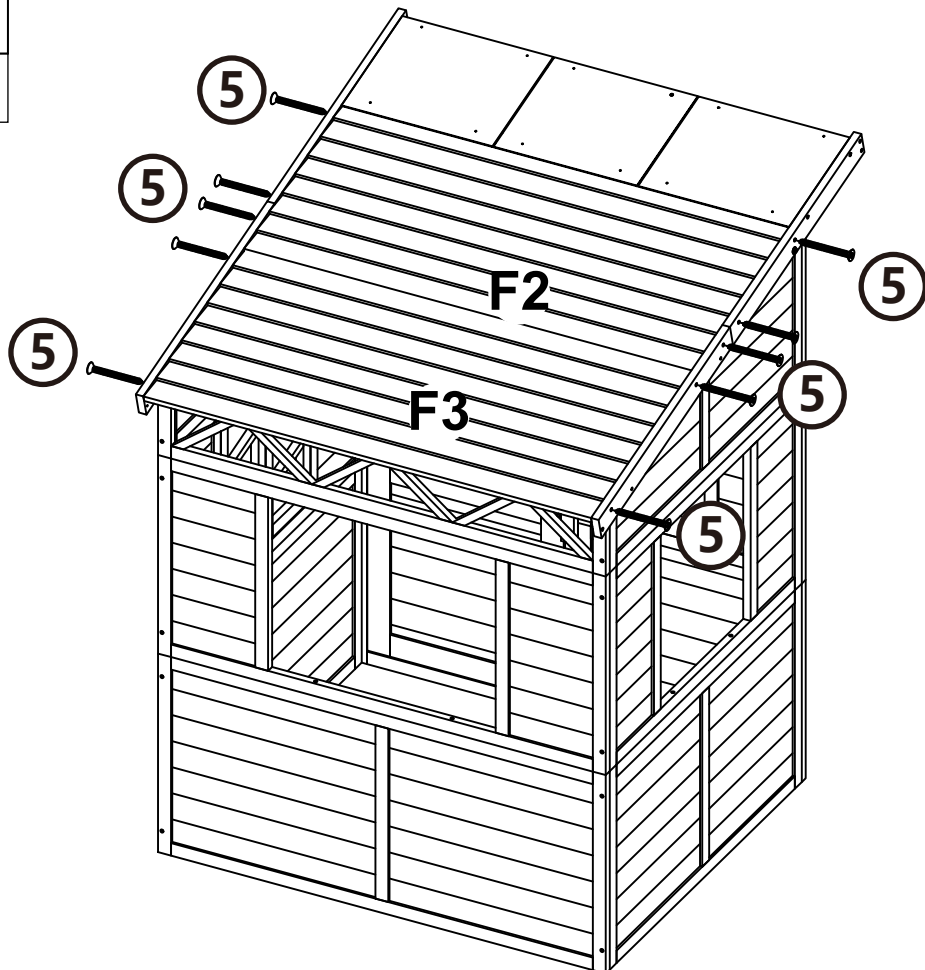


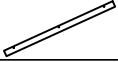


PART	NO	QIT
	F2	1
	F3	1

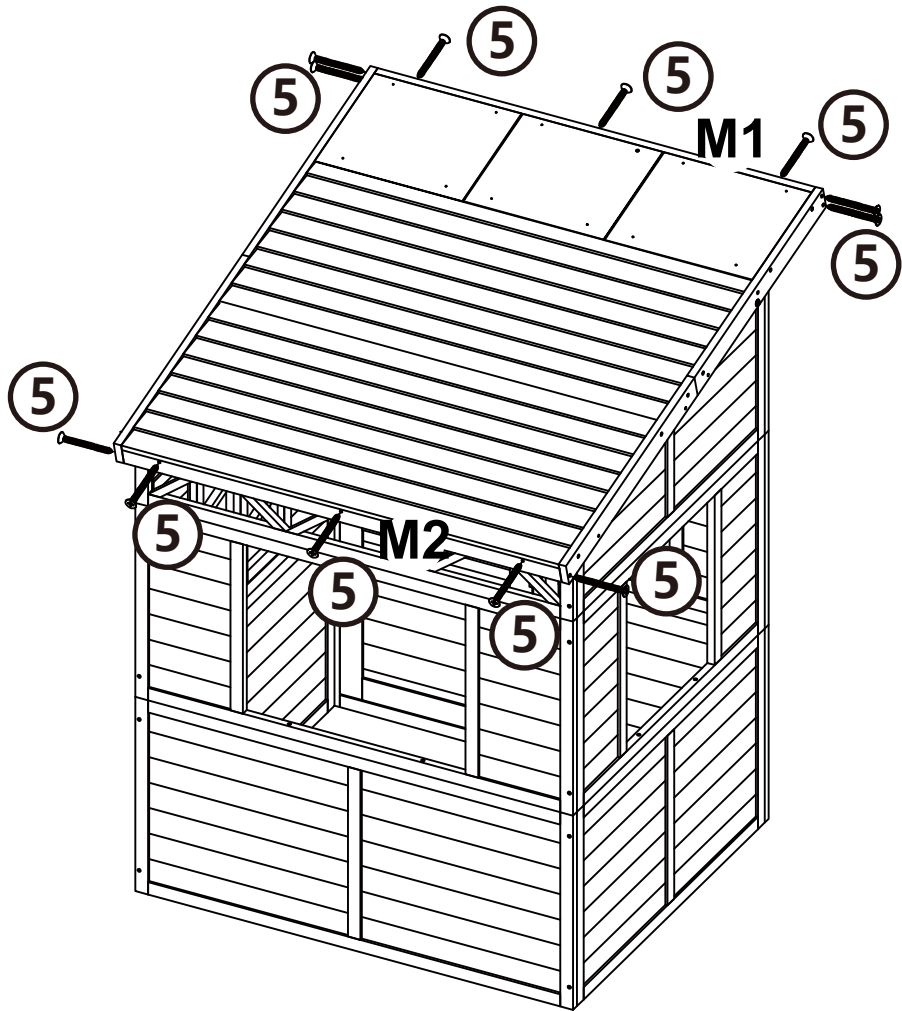


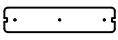
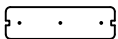

Push component F3 into the gap of component F2.

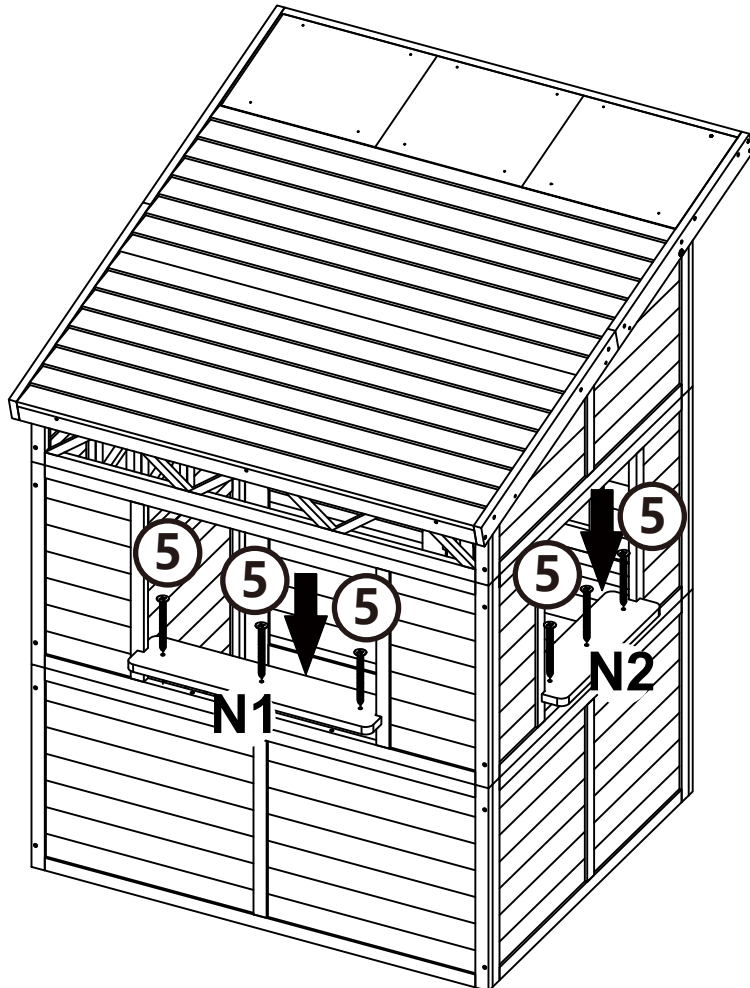
PART	NO	QIT
	5	10



PART	NO	QIT
	M1	1
	M2	1
	5	12

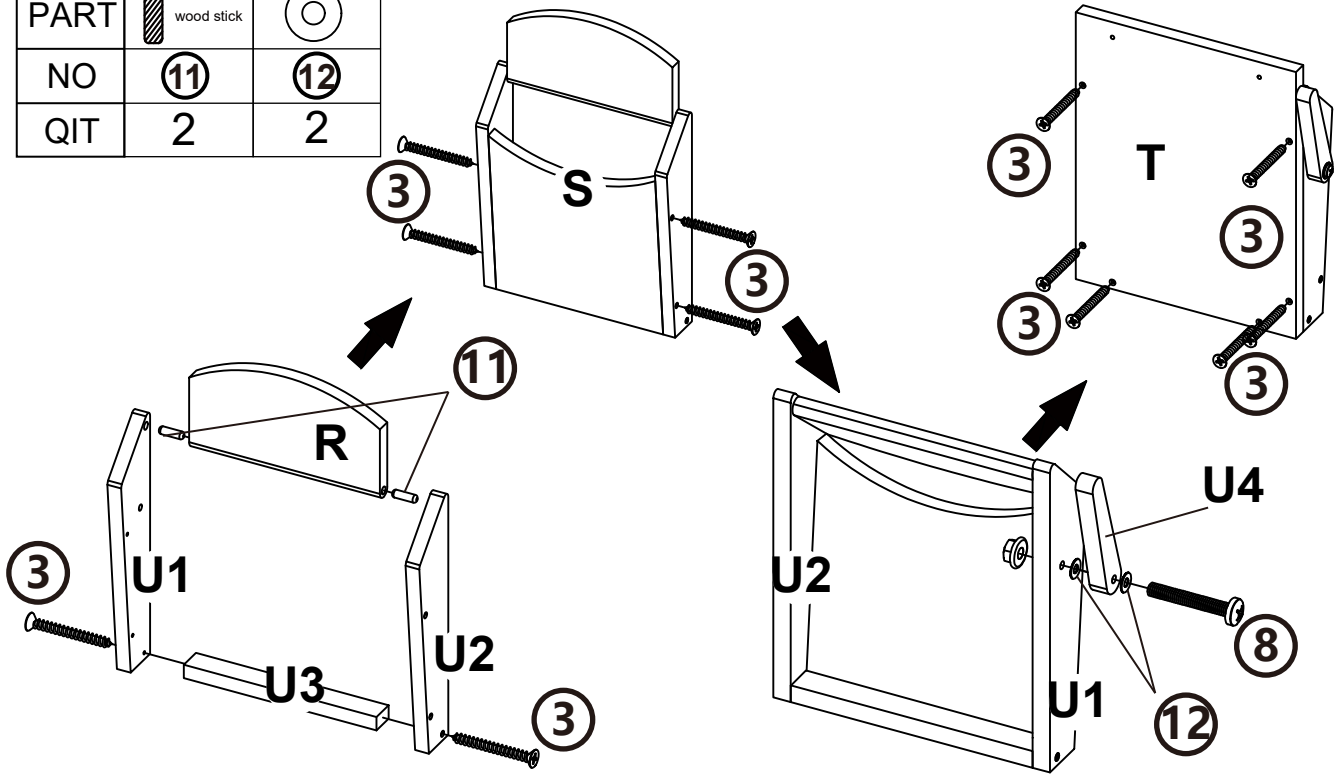


PART	NO	QIT
	N1	1
	N2	1
	5	6

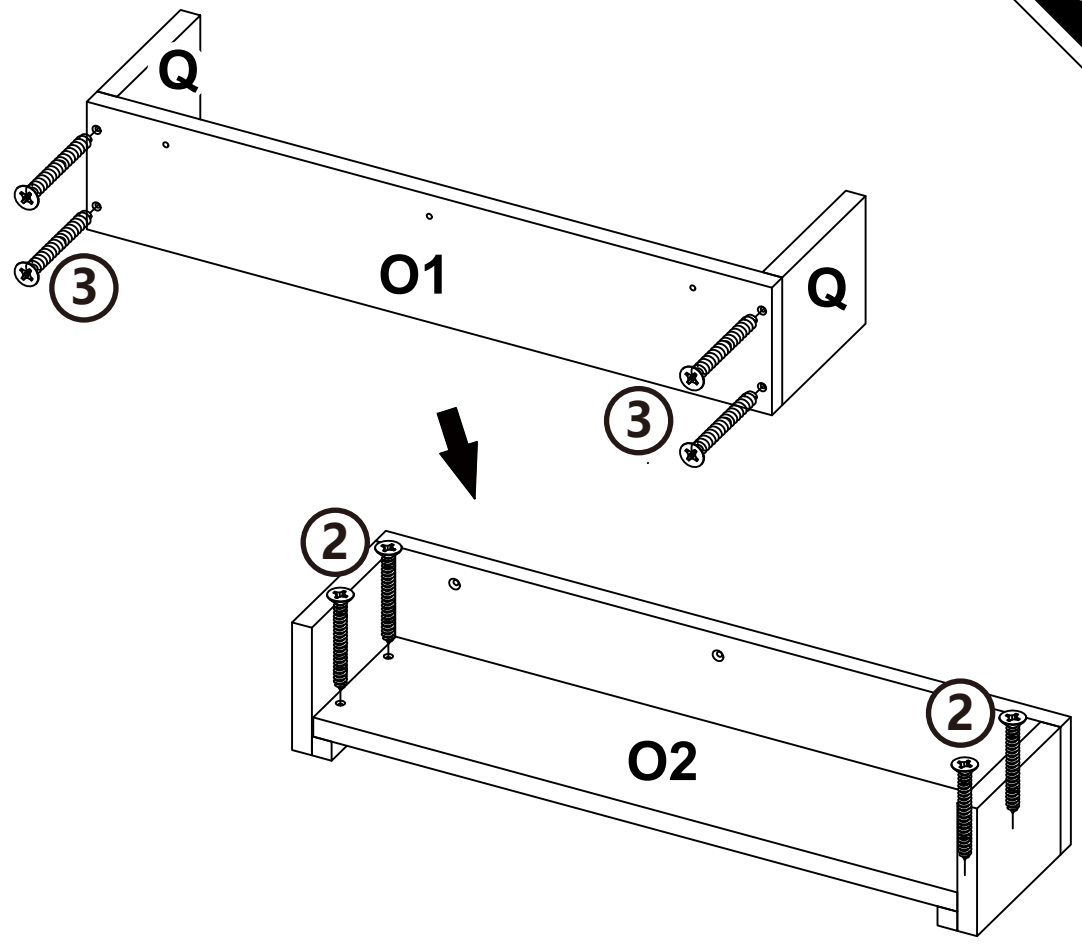


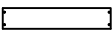


PART									
NO	R	S	T	U1	U2	U3	U4	③	⑧
QIT	1	1	1	1	1	1	1	12	1

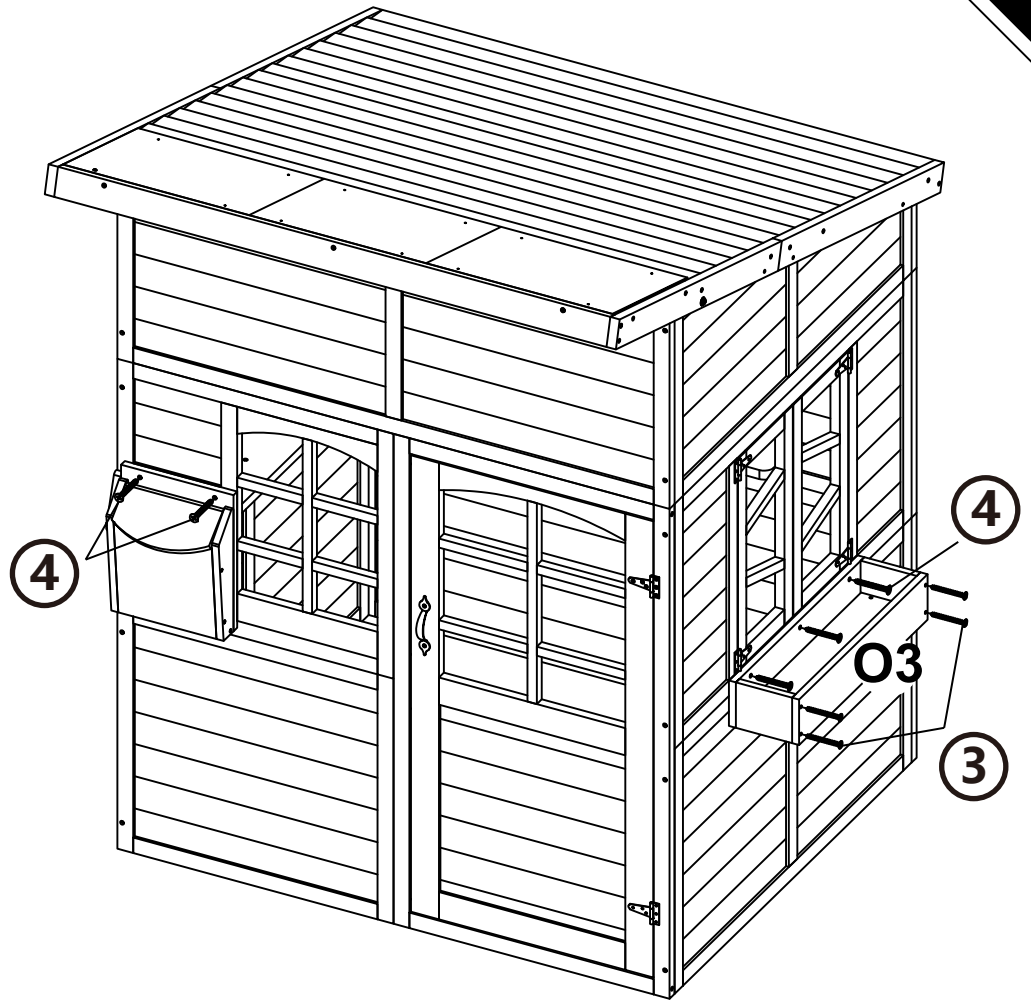
PART		
NO	wood stick	⑪
QIT	2	2

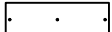

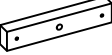





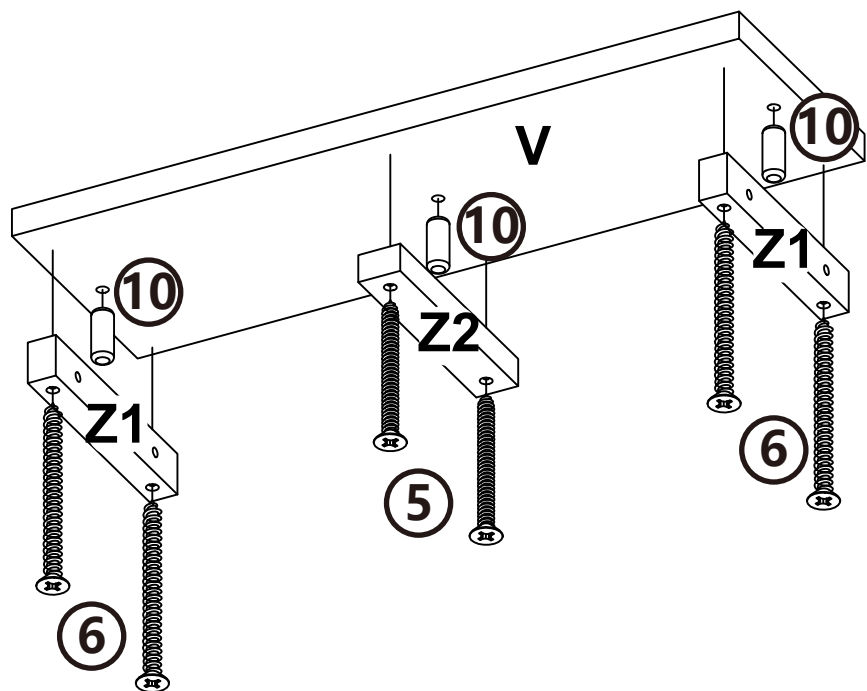
PART	NO	QIT
	O1	1
	O2	1
	Q	2
	②	4
	③	4






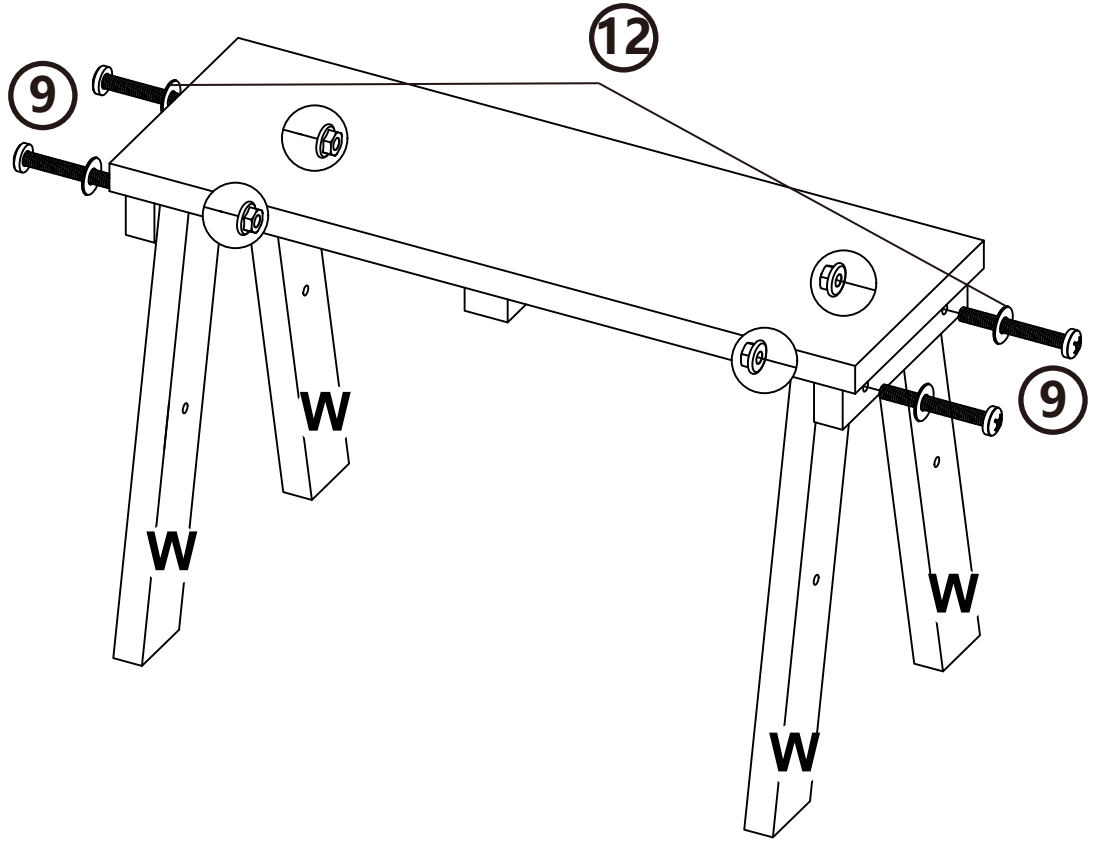
PART	NO	QIT
	O3	1
	3	4
	4	5






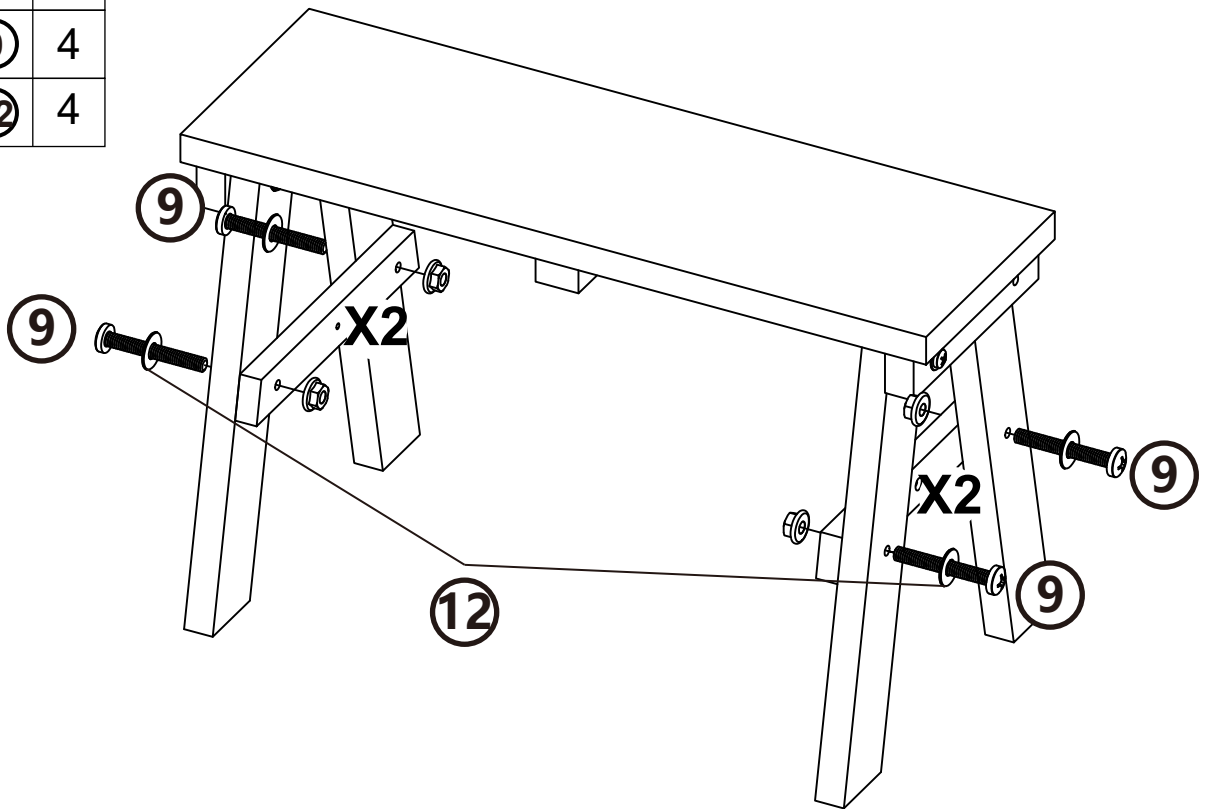
PART	NO	QIT
	V	1
	Z1	2
	Z2	1
	5	2
	6	4
	10	3

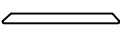




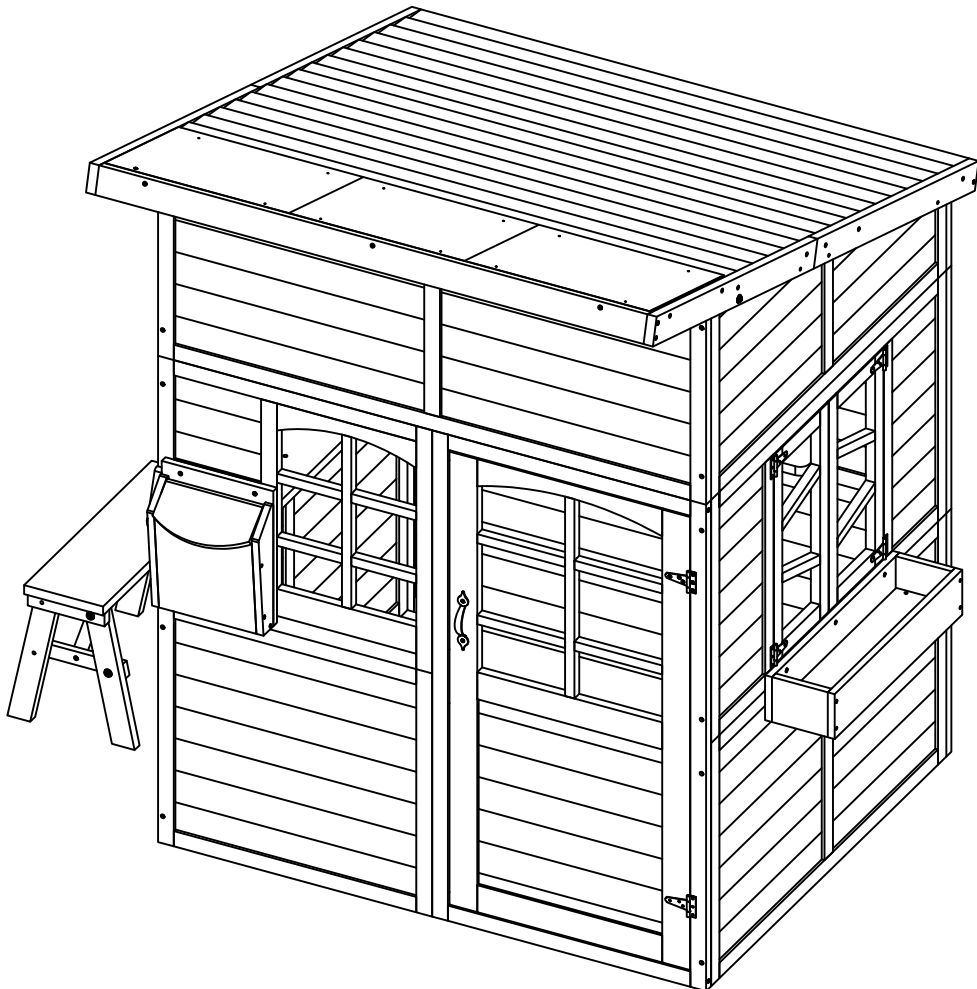
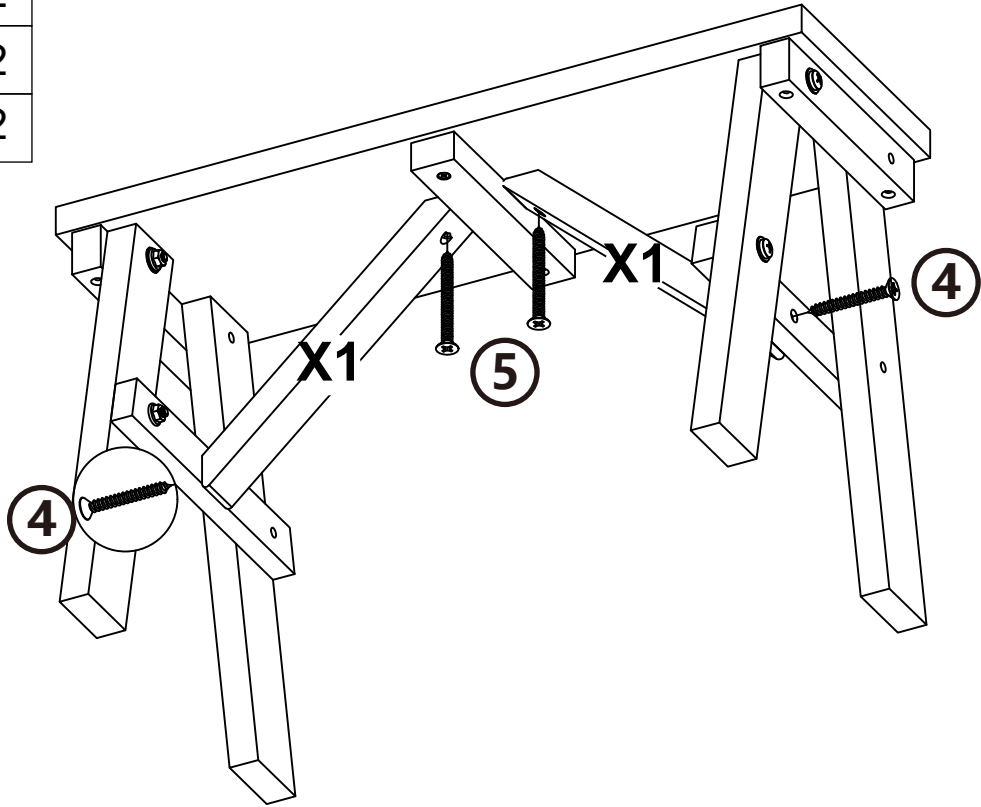
PART	NO	QIT
	W	4
	9	4
	12	4



PART	NO	QIT
	X2	2
	9	4
	12	4



PART	NO	QIT
	X1	2
	④	2
	⑤	2



How To Contact US

So glad you have completed the assembly and can enjoy it.

Any problems with the product or shipping issues, please feel free to contact us, and we will try our best to serve and help.

Contact Methods:

If you choose Amazon, going to your Amazon order detail page: Order>Sold By>Contact Seller
(We will guarantee to reply to you within 24 hours. Please don't worry.)



WARNING

The toy is to be assembled by an adult.