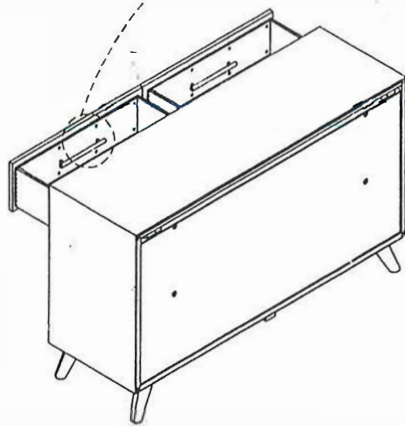
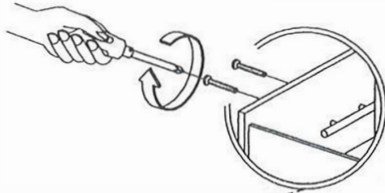


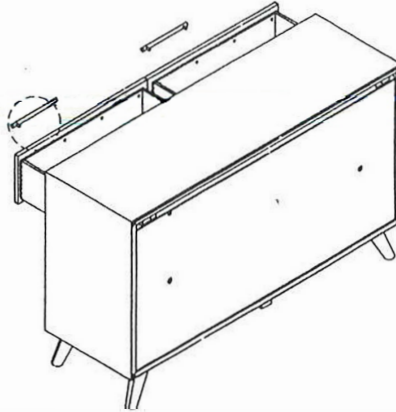
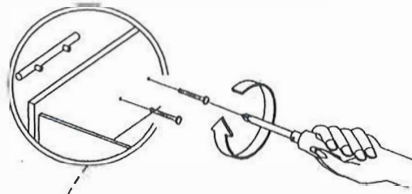
DRESSER
DRESSER

Assembly Instruction

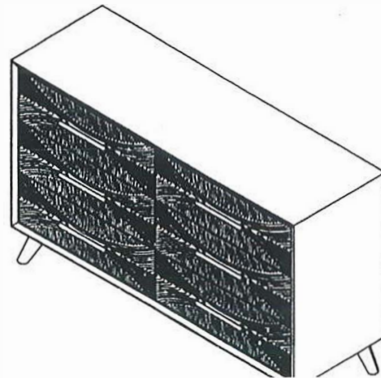
STEP 1



STEP 2



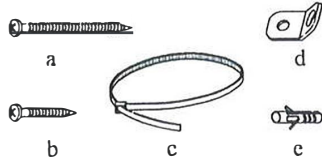
STEP 3



DRESSER
DRESSER

Assembly Instruction

- A. Components :
1. Dresser 1 x



- B. Hardware :
- | | |
|-------------------|-----|
| a. Screw Long | 1 x |
| b. Screw Short | 1 x |
| c. Restrain Strap | 1 x |
| d. Metal Anchor | 2 x |
| e. Fischer | 1 x |

