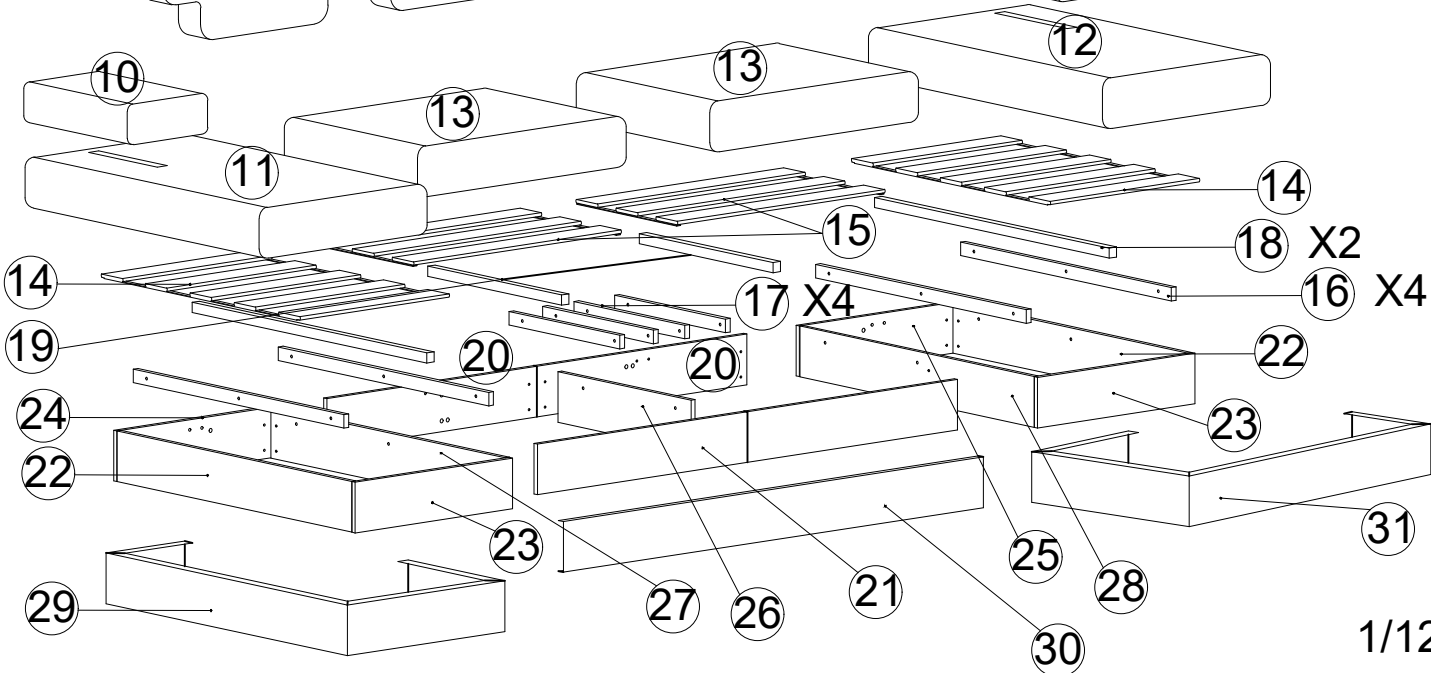
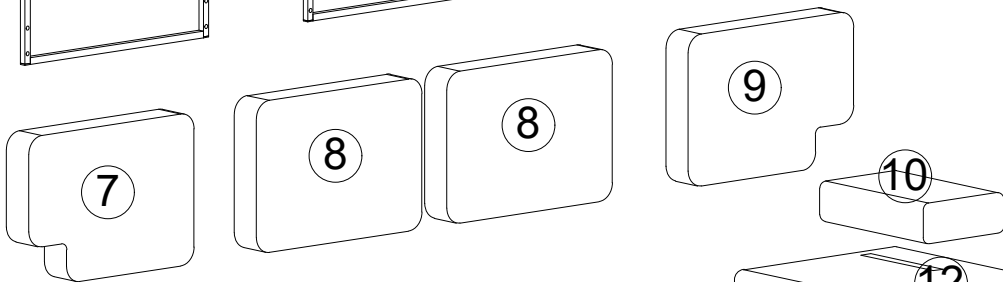
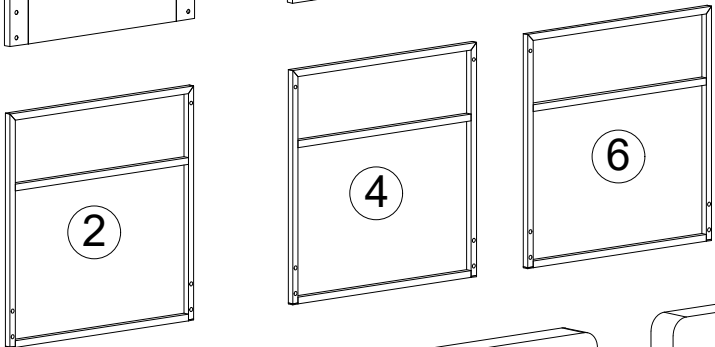
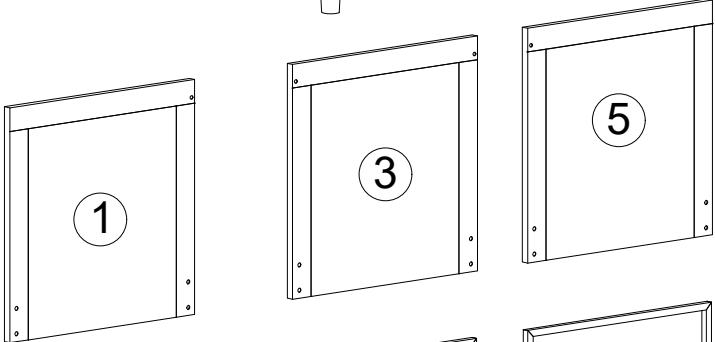
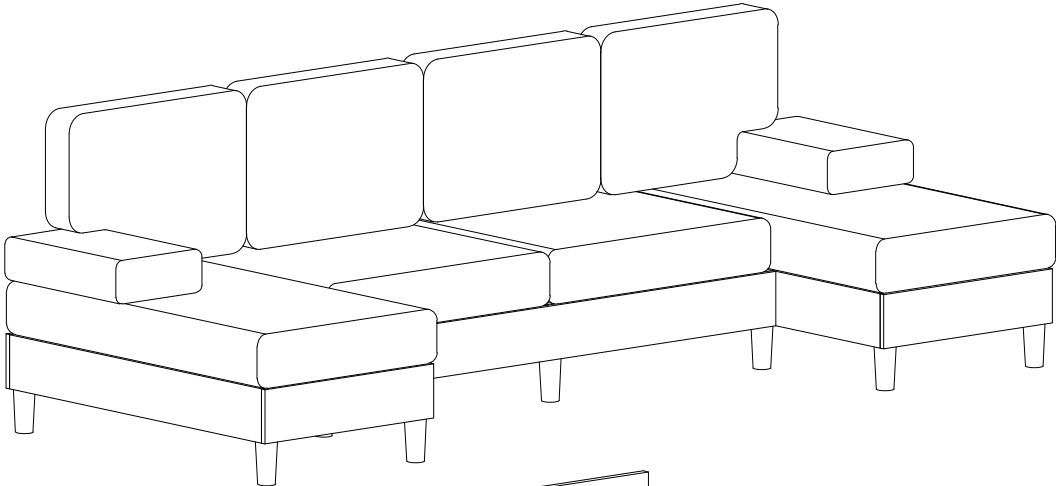
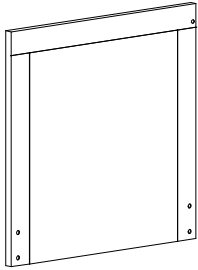
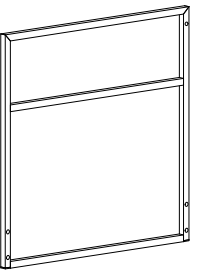
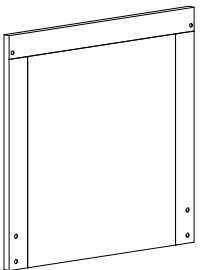
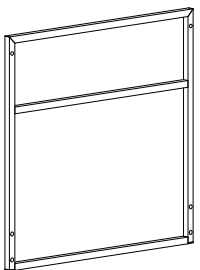
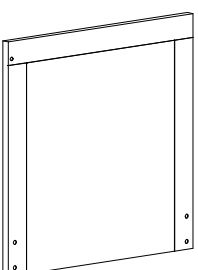
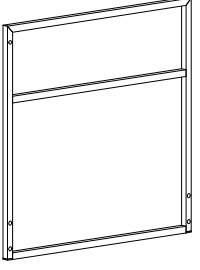
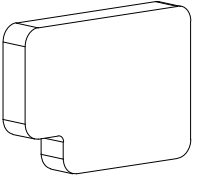
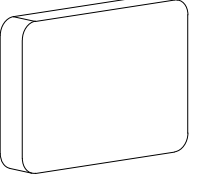
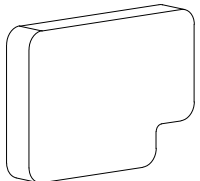
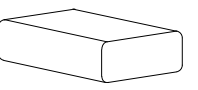
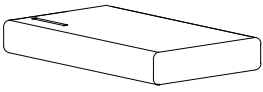
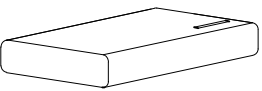
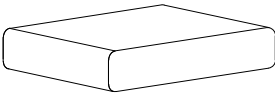


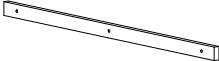



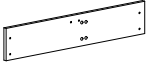
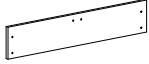
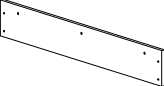

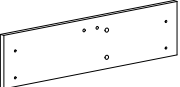
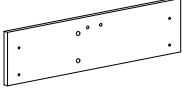
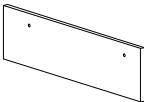
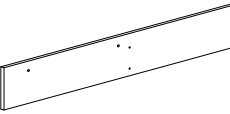
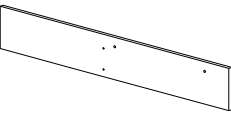
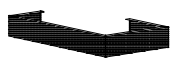

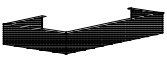








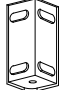
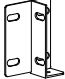
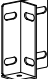

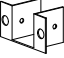





INSTALLATION GUIDE


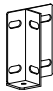





①		1PCS	②		1PCS
③		1PCS	④		1PCS
⑤		1PCS	⑥		1PCS
⑦		1PCS	⑧		1PCS
⑨		1PCS	⑩		2PCS
⑪		1PCS	⑫		1PCS

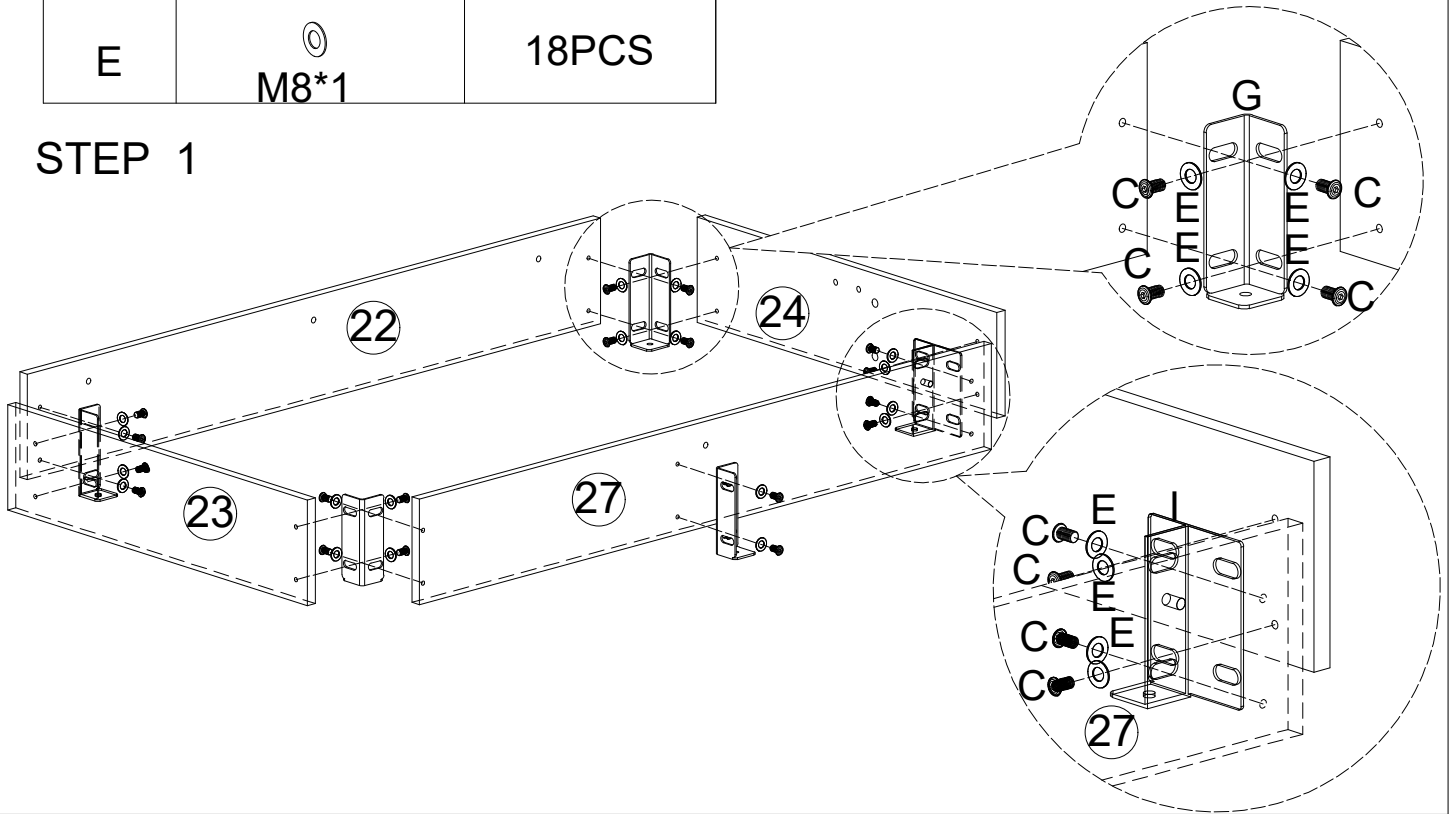
⑬		2PCS	⑭		2PCS
⑮		2PCS	⑯		4PCS
⑰		4PCS	⑱		2PCS
⑲		2PCS	⑳		2PCS
㉑		2PCS	㉒		2PCS
㉓		2PCS	㉔		1PCS






25		1PCS	26		1PCS
27		1PCS	28		1PCS
29		1PCS			1PCS
31		1PCS			

A	 M8*70	6PCS	B	 M8*35	20PCS
C	 M8*15	56PCS	D	 M6*15	20PCS
E	 M8*1	88PCS	F	 M8	18PCS
G		8PCS	H		2PCS
I		2PCS	J		12PCS
K		8PCS	L		2PCS
M	 M4	1PCS	N	 M5	1PCS
O	 M8	1PCS	P	 #8-Ø4X14	16PCS

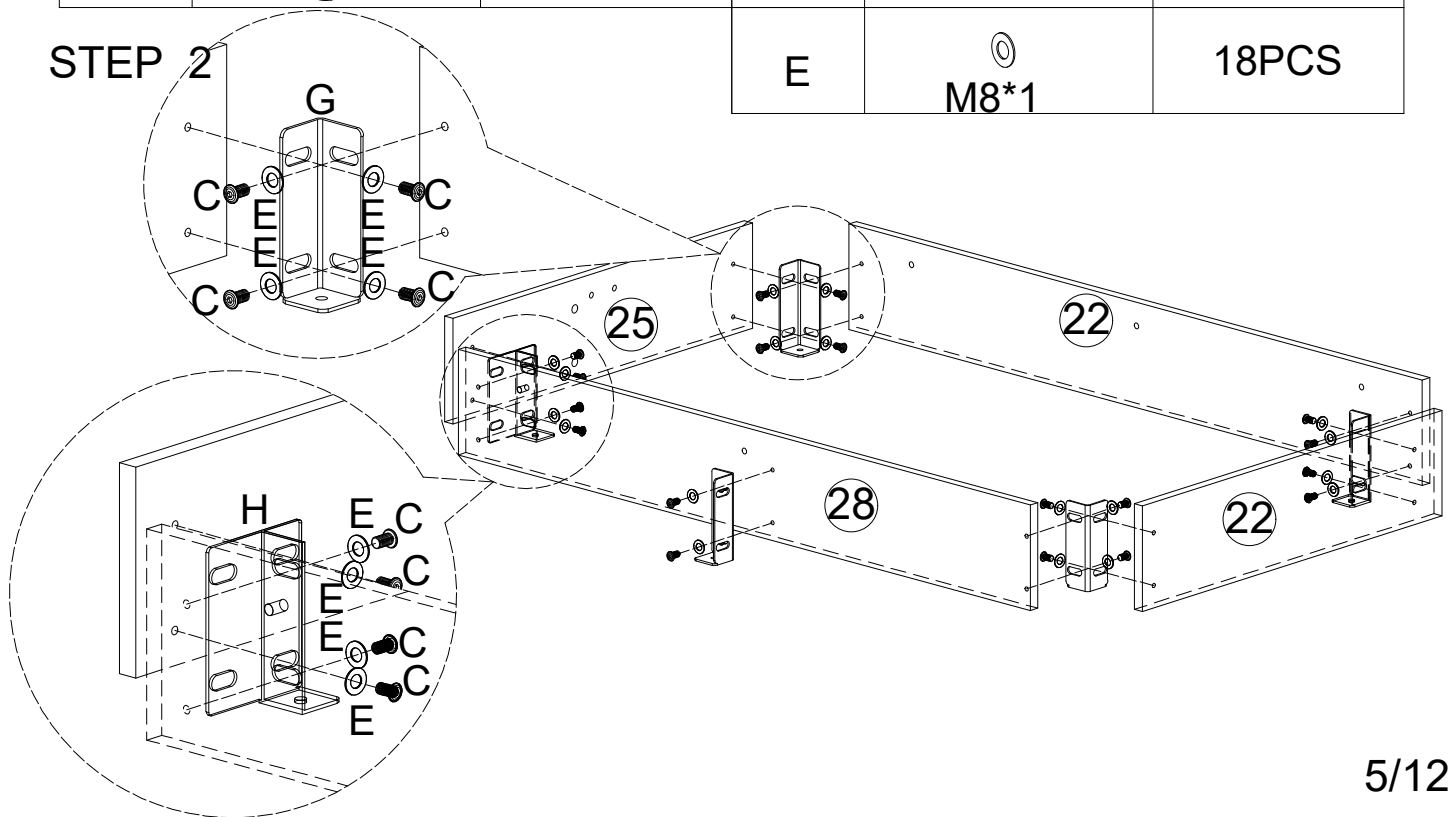
C	 M8*15	18PCS	I		1PCS
G		4PCS	N	 M5	1PCS
E	 M8*1	18PCS			


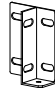


STEP 1



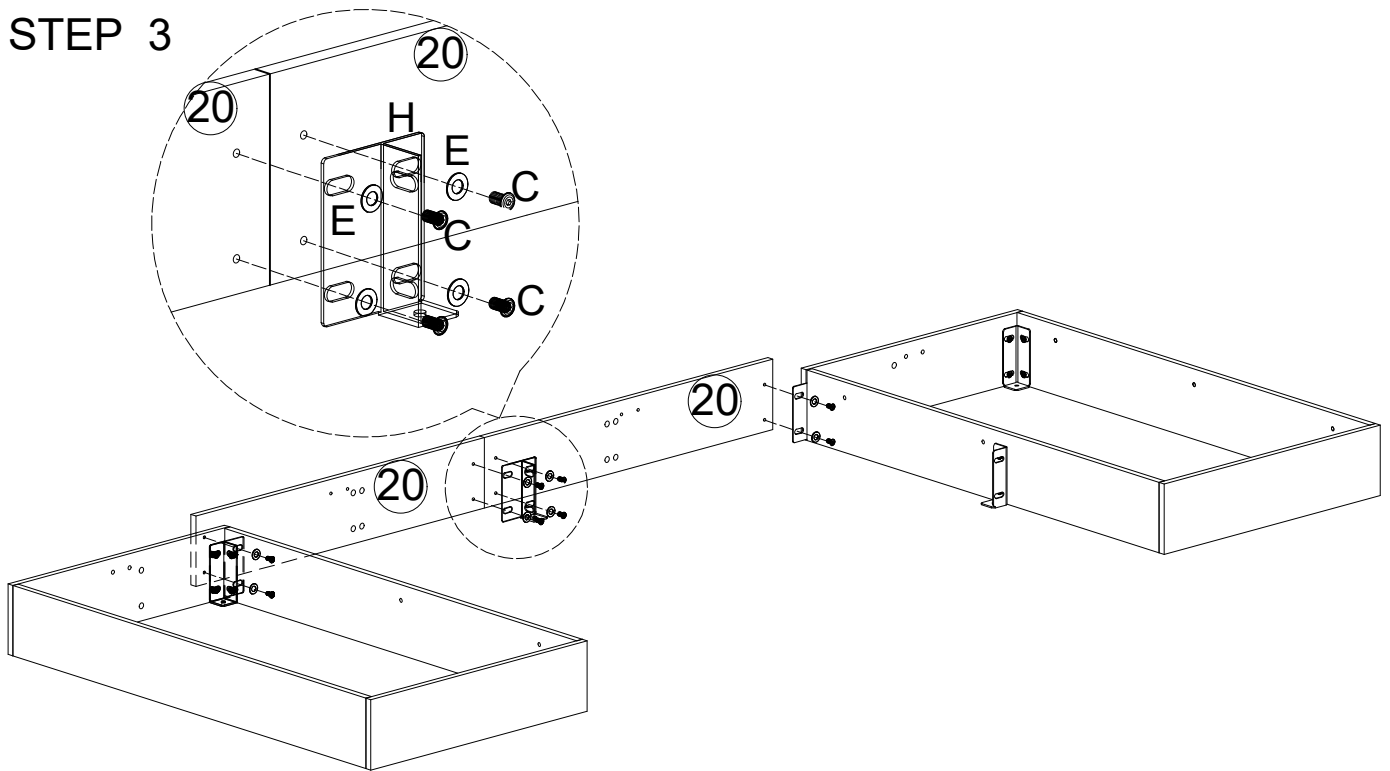
C	 M8*15	18PCS	H		1PCS
G		4PCS	N	 M5	1PCS
E	 M8*1	18PCS			



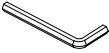

STEP 2



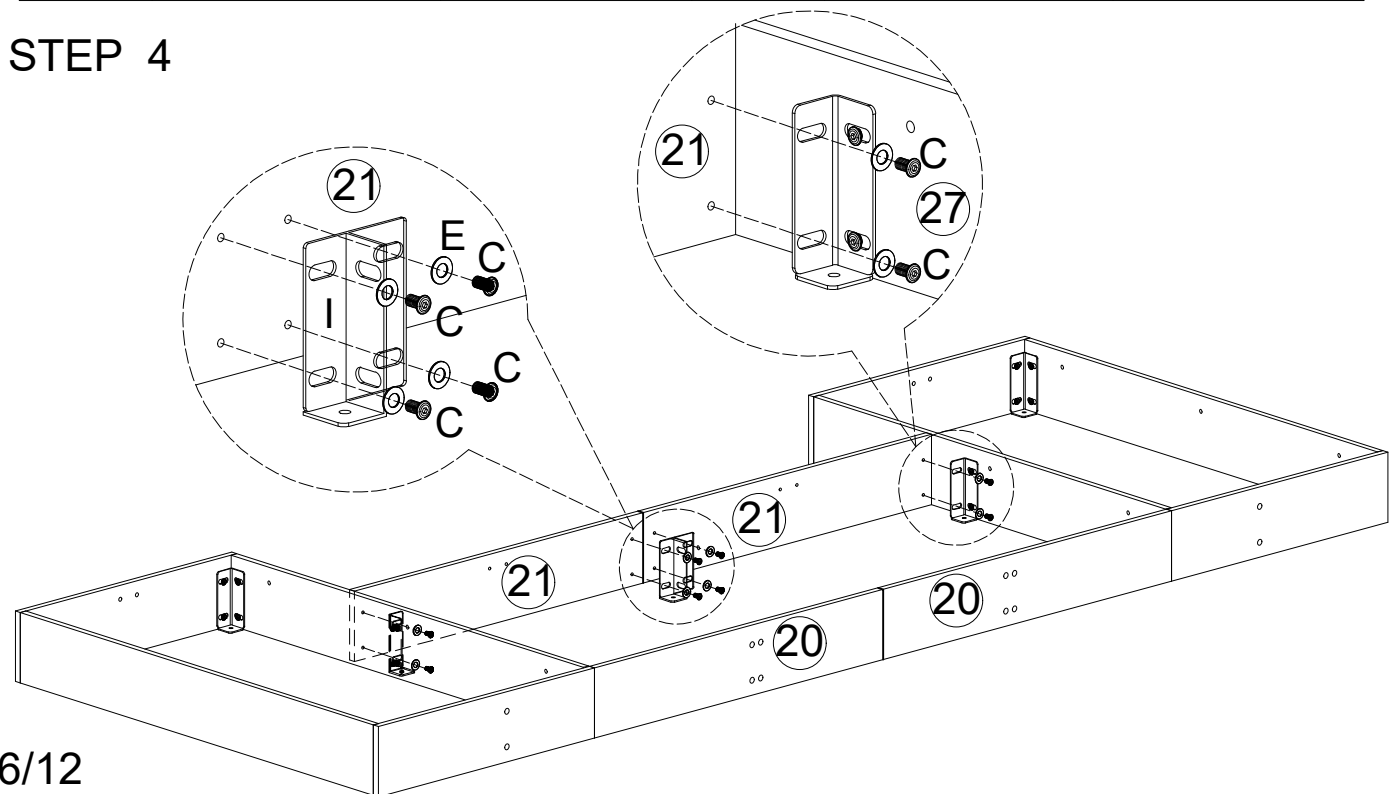
C	 M8*15	8PCS	H		1PCS
N	 M5	1PCS	E	 M8*1	8PCS




STEP 3

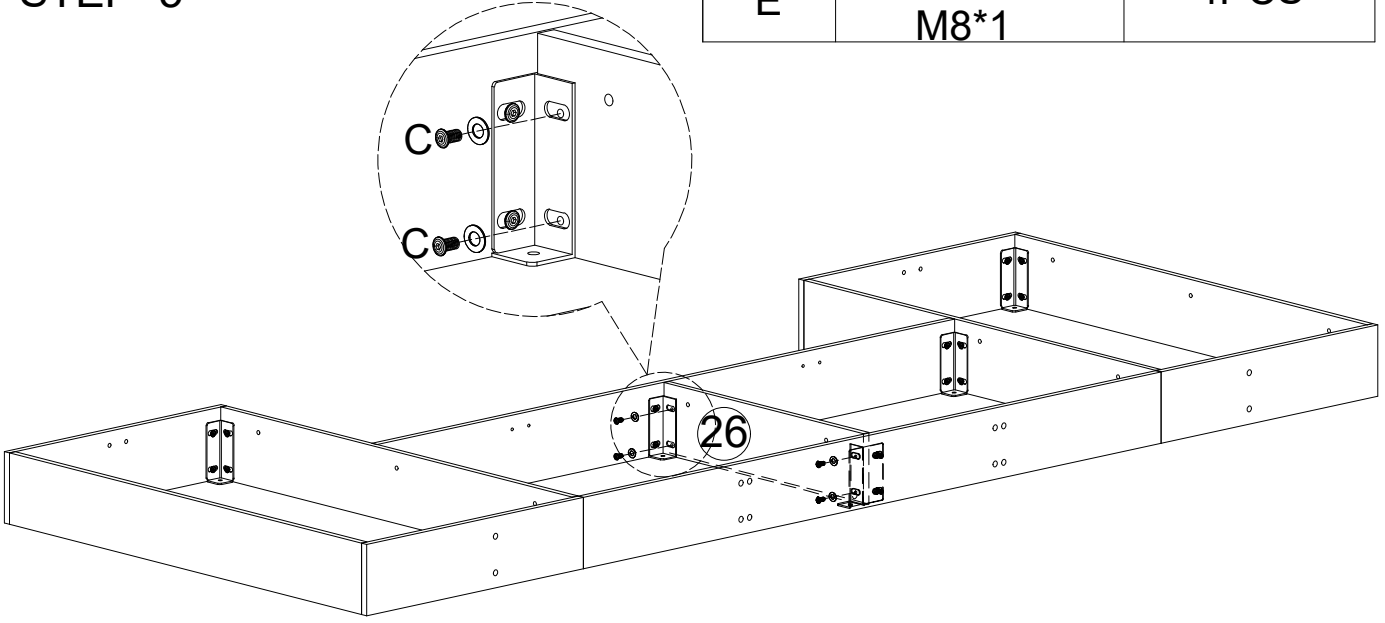



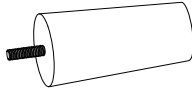

C	 M8*15	8PCS	I		1PCS
N	 M5	1PCS	E	 M8*1	8PCS

STEP 4

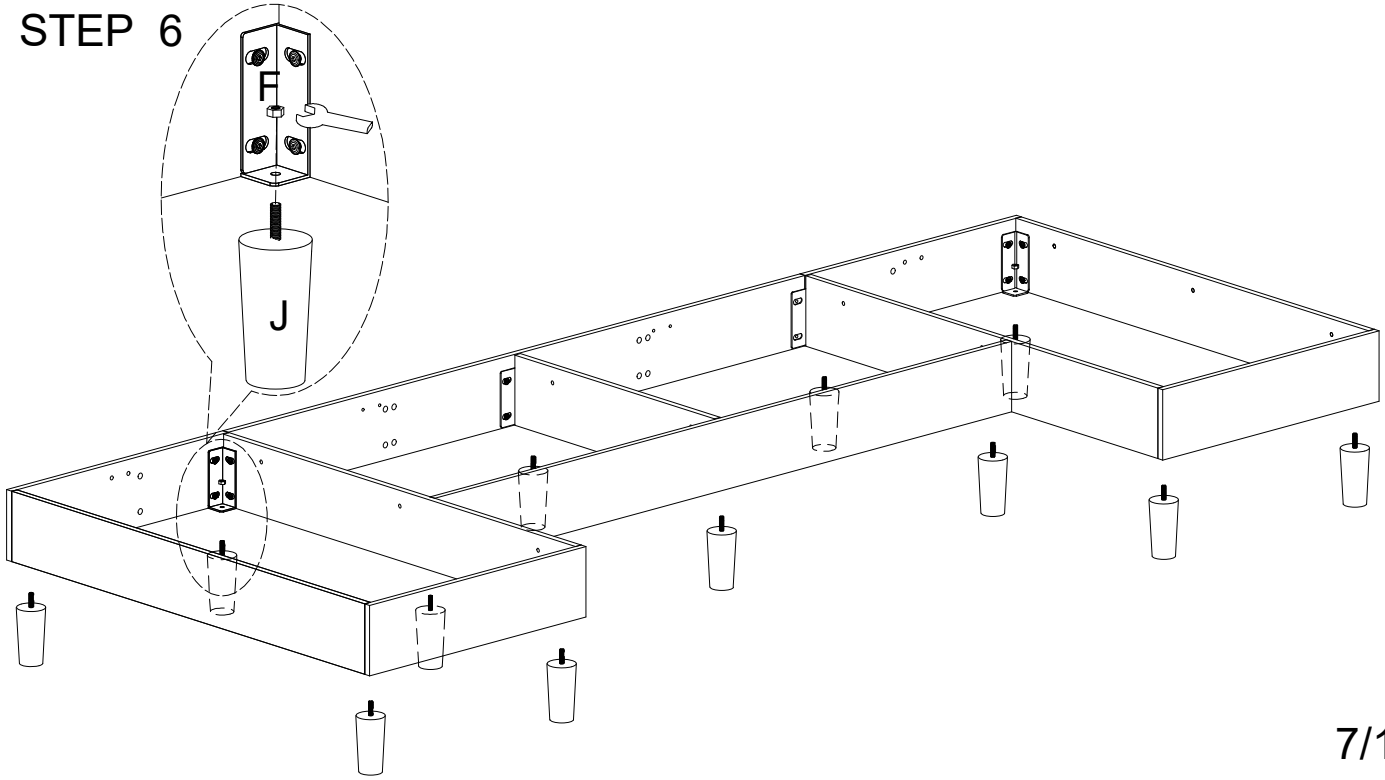



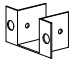

C	 M8*15	4PCS	N	 M5	1PCS
STEP 5			E	 M8*1	4PCS



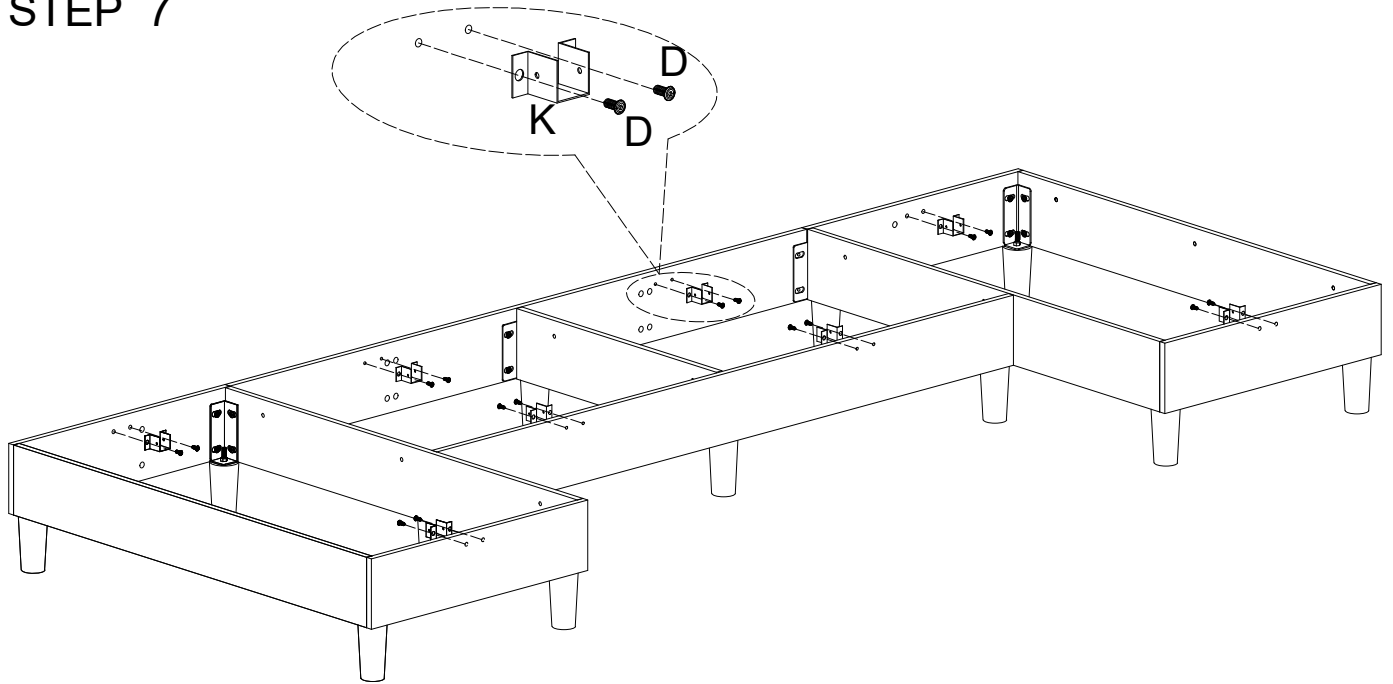
F	 M8	12PCS	J	 12PCS
O	 M8	1PCS		




STEP 6



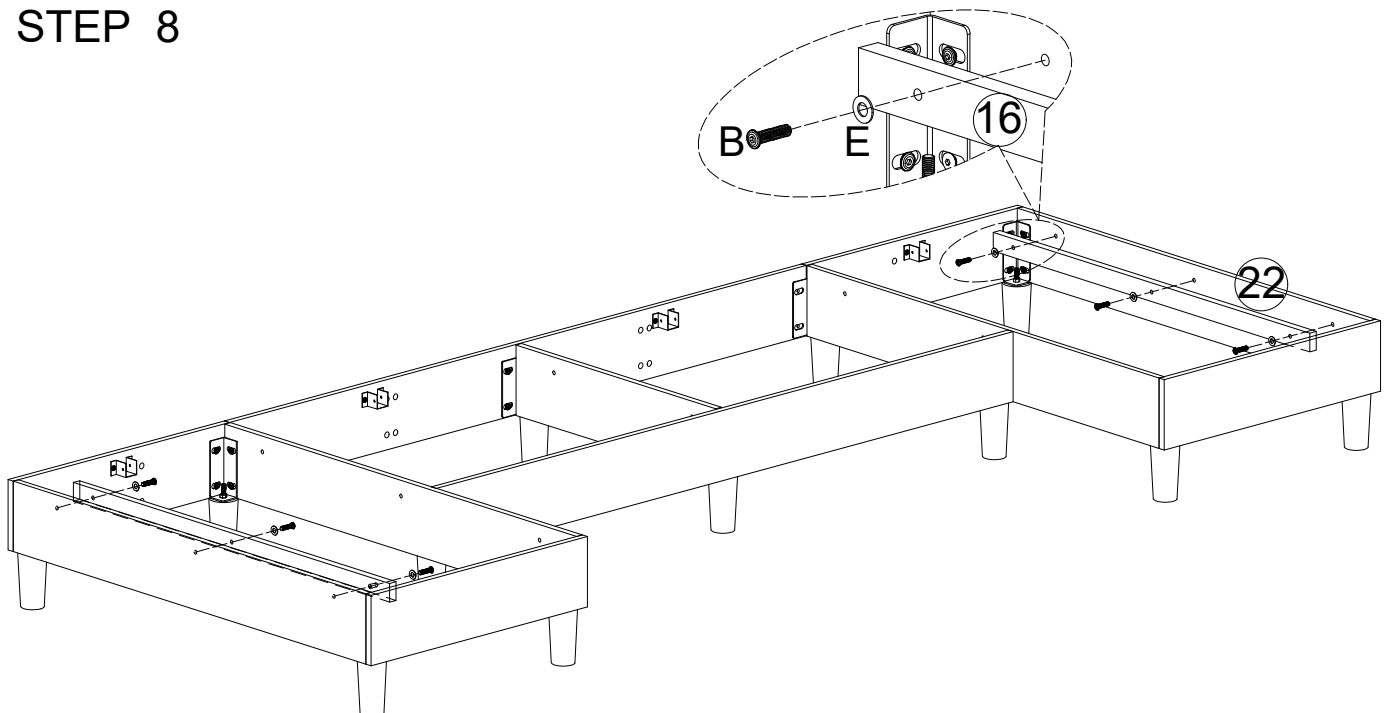
D	 M6*15	16PCS	K		8PCS
M	 M4	1PCS			







STEP 7



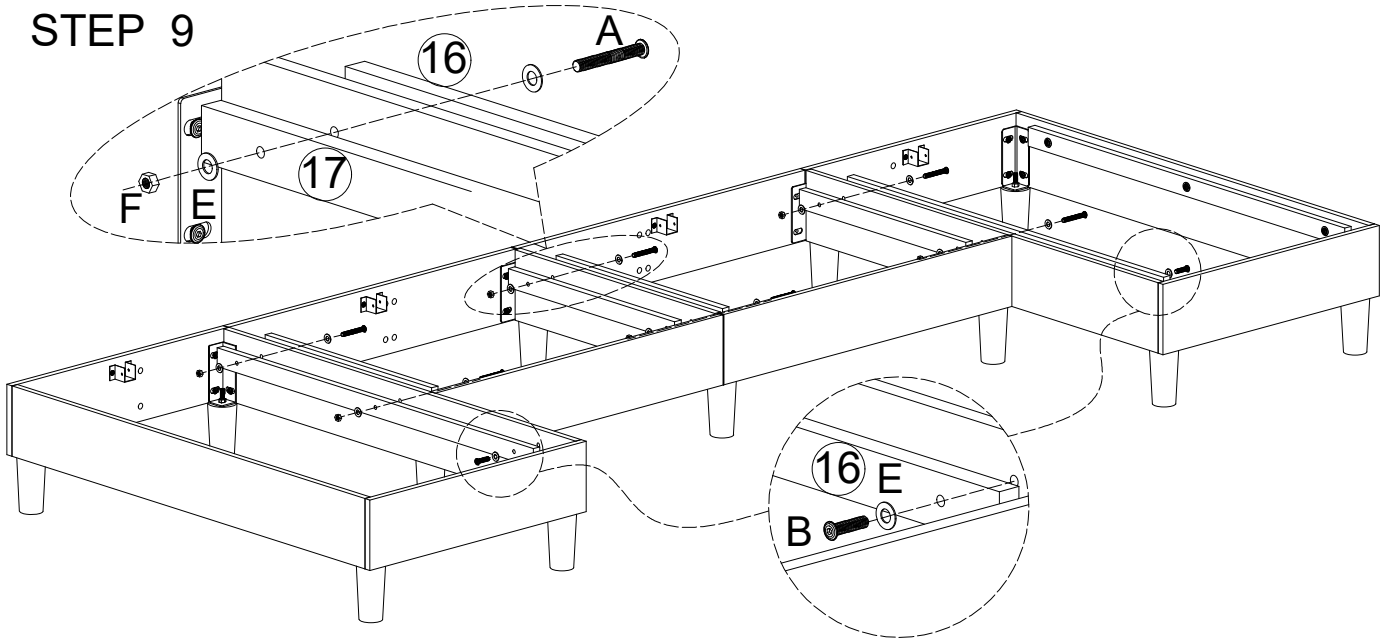
B	 M8*35	6PCS	E	 M8*1	6PCS
N	 M5	1PCS			

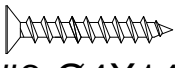
STEP 8



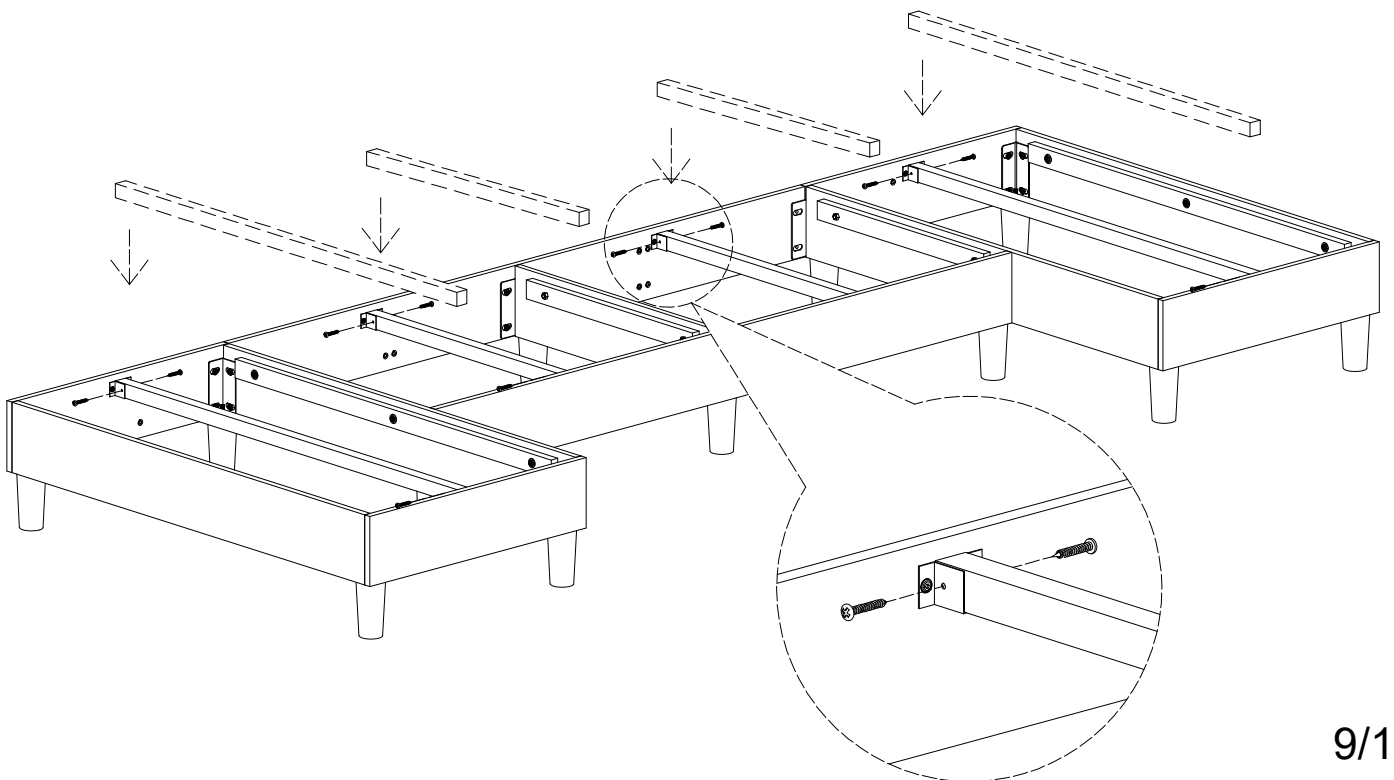
B	 M8*35	2PCS	E	 M8*1	14PCS
N	 M5	1PCS	F	 M8	6PCS
A	 M8*60	6PCS	O	 M8	1PCS

STEP 9

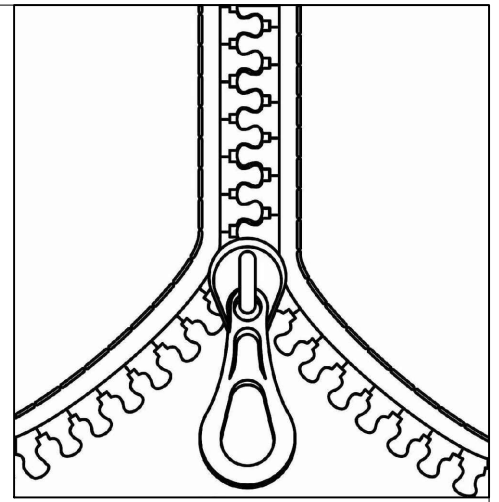
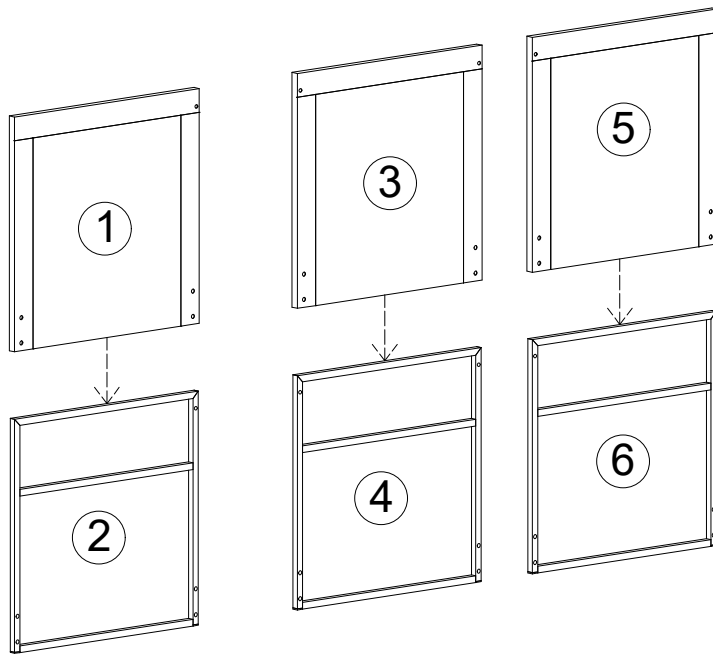





P	 #8-Ø4X14	16PCS
---	-------------------------------------------------------------------------------------------------	-------

STEP 10

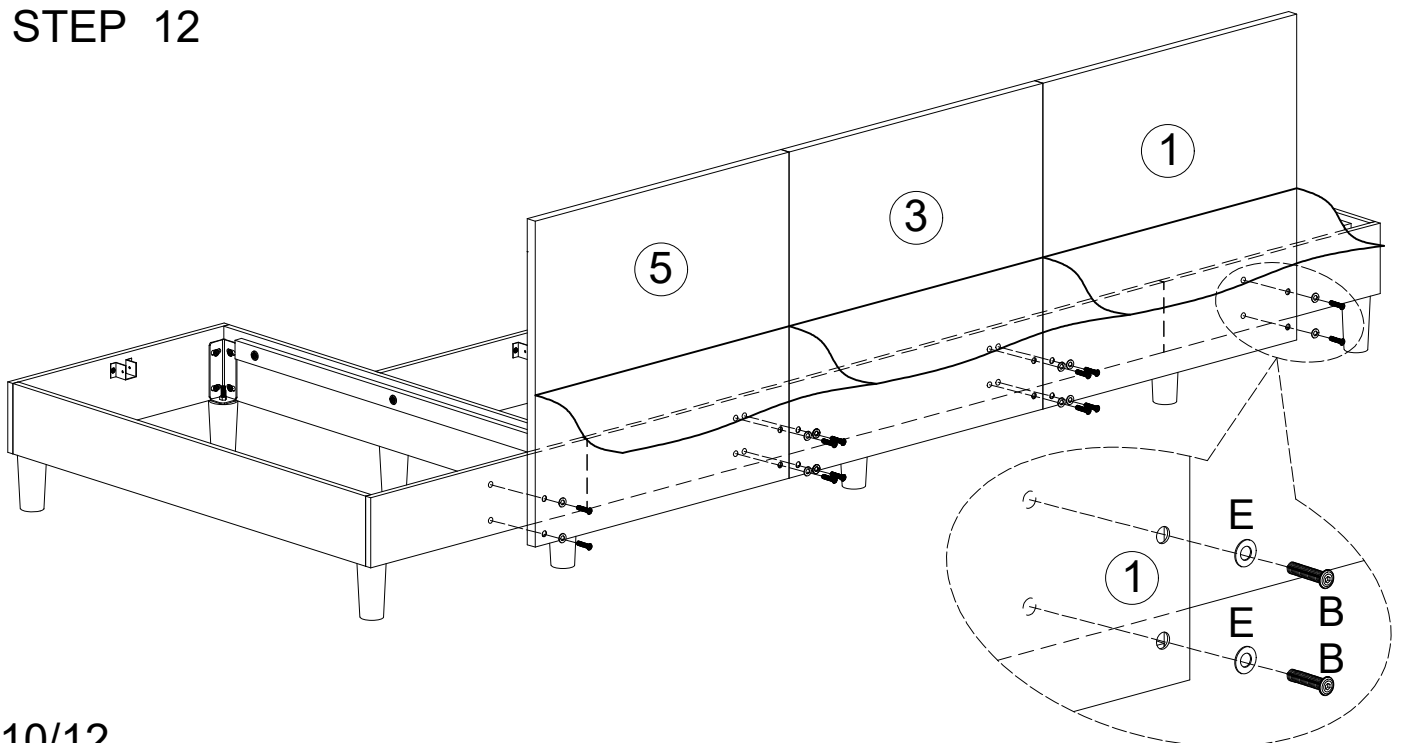





STEP 11



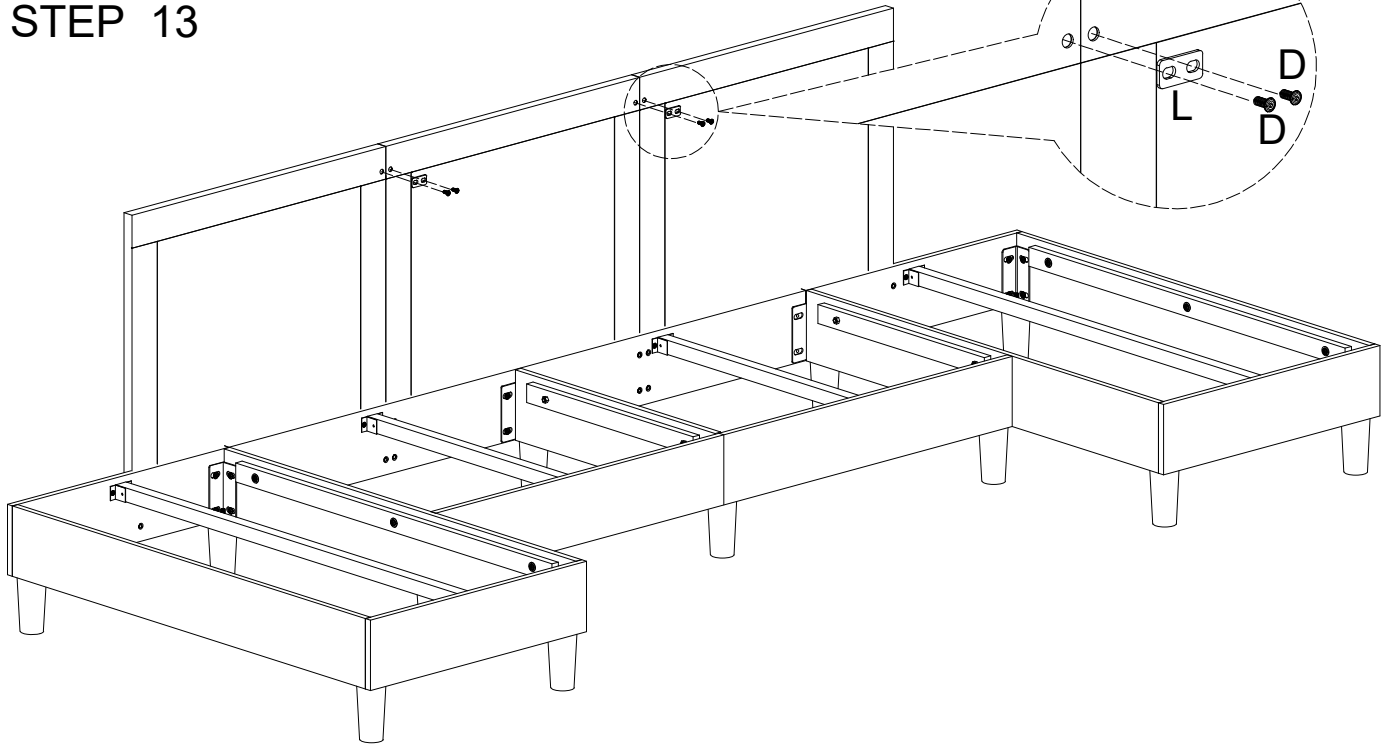
B	 M8*35	12PCS	E	 M8*1	12PCS
N	 M5	1PCS			

STEP 12

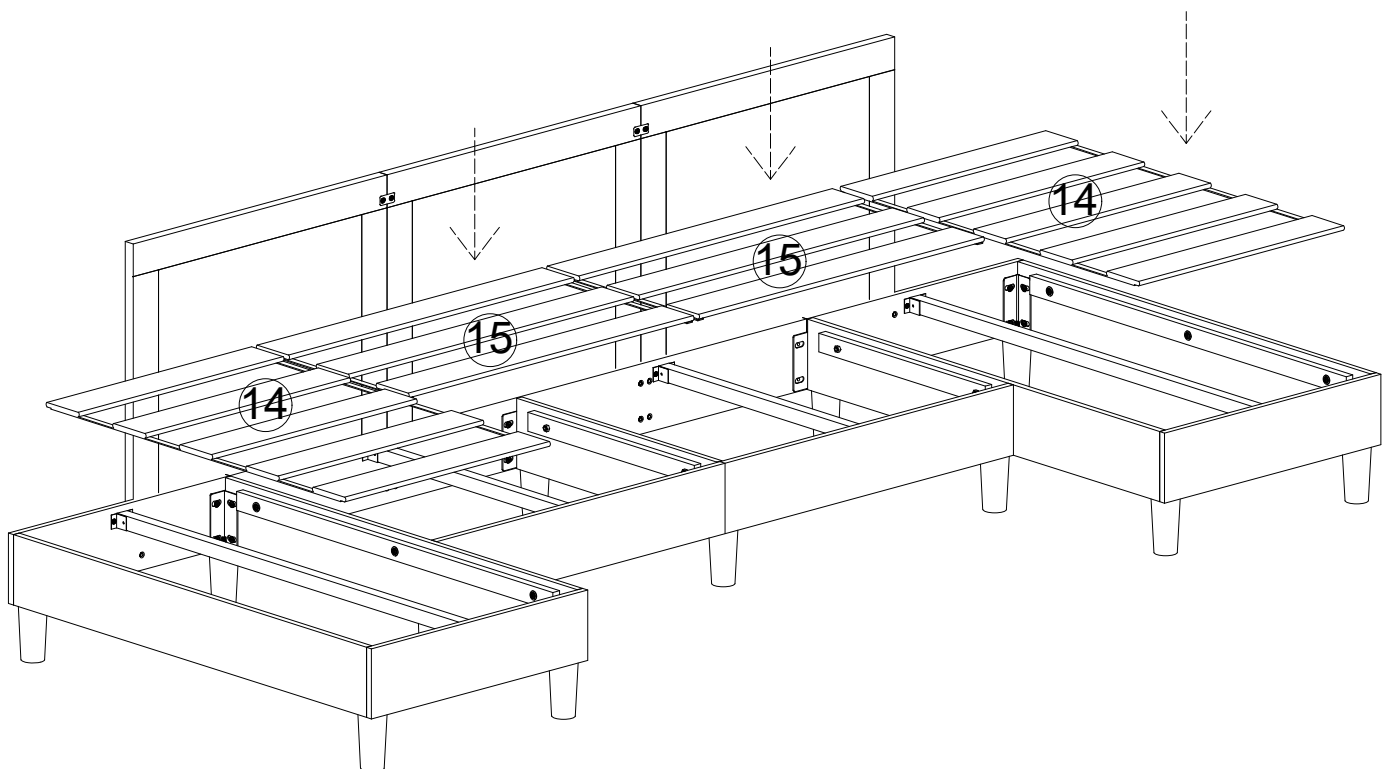


D	 M6*15	4PCS	L		2PCS
M	 M4	1PCS			

STEP 13



STEP 14



STEP 15

