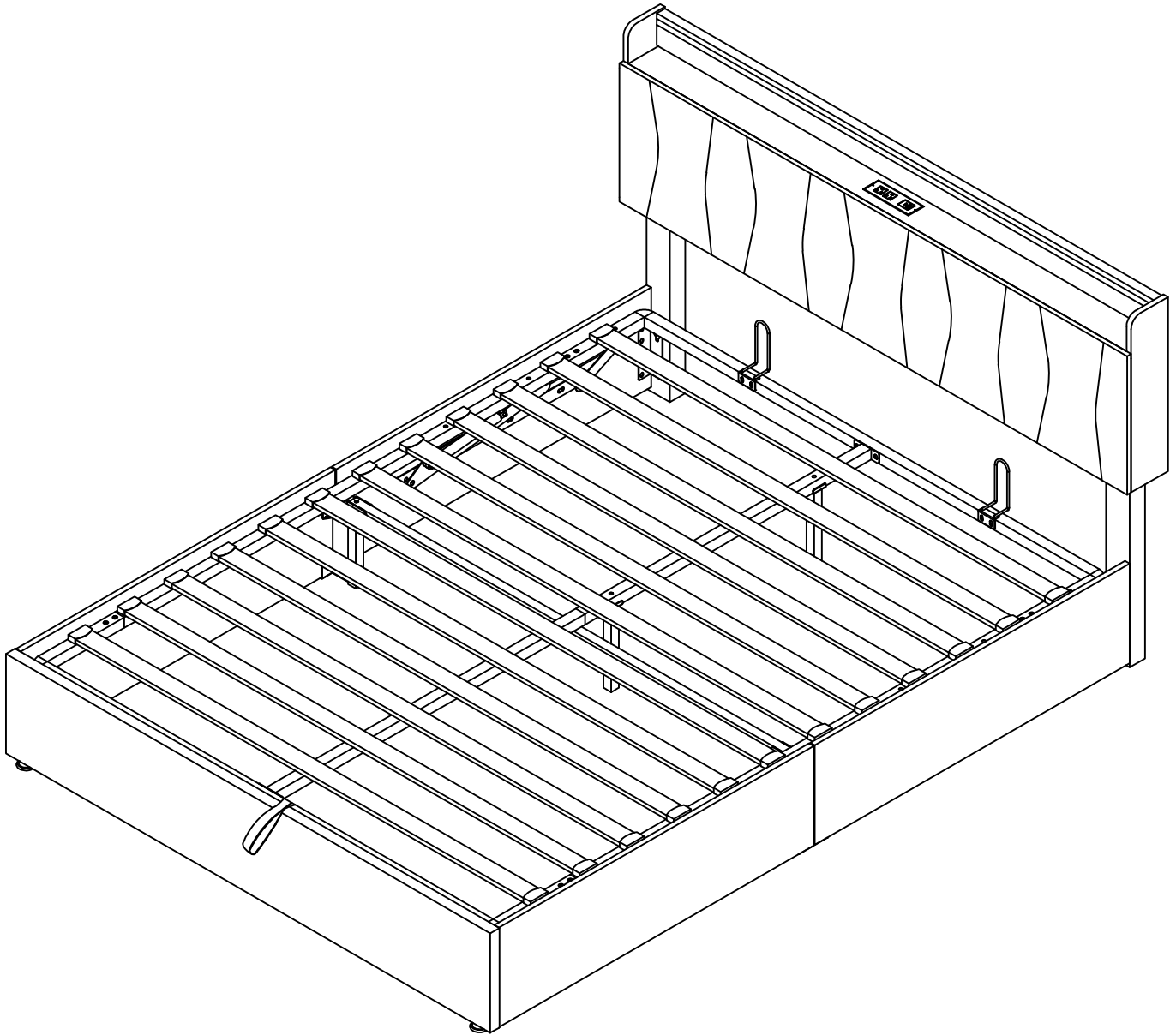


JY9954--02

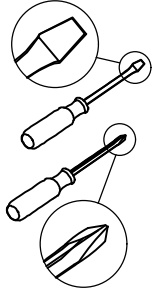


As this item contains many parts, please read the installation instruction carefully before installation . Please use tools properly and carefully. If you have any questions about the product and installation, please contact us.

hosoteservice@gmail.com

Our professional after-sales team will serve you online all day.

Before You Start



- ✓ Read through each step carefully and follow the proper order
- ✓ Separate and count all your parts and hardware
- ✓ Give yourself enough room for the assembly process
- ✓ Have the following tools: Flat Head Screwdriver, #2 Phillips Head Screwdriver
- ✓ Caution: If using a power drill or power screwdriver for screwing, please be aware of to slow down and stop when screw is tight. Failure to do so may result in stripping the screw.

Helpful Hints

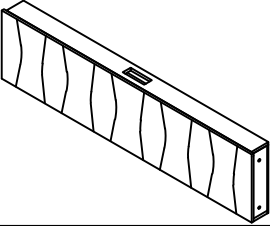
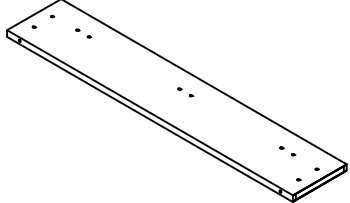
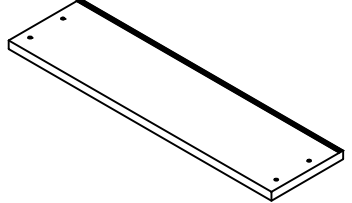
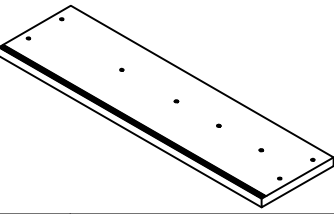
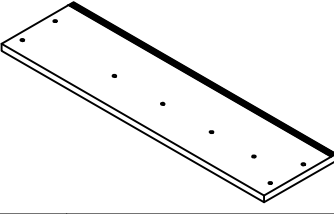
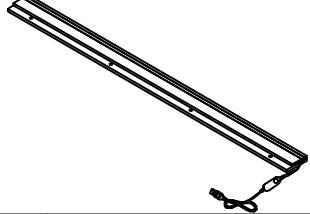
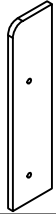
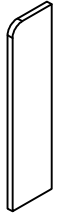
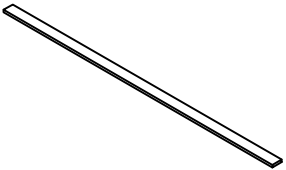
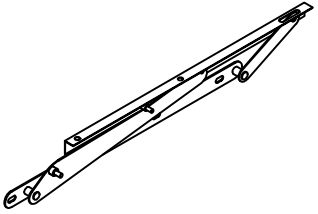
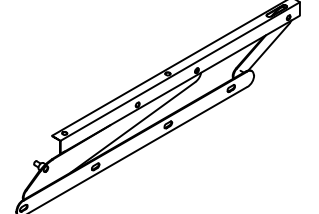
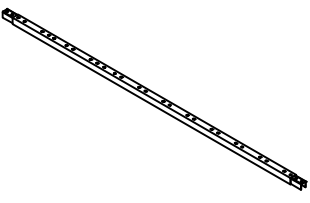
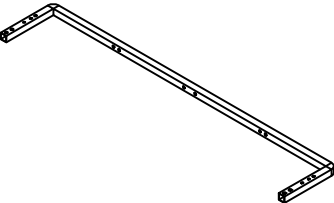
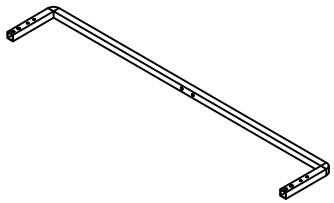
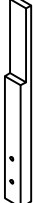
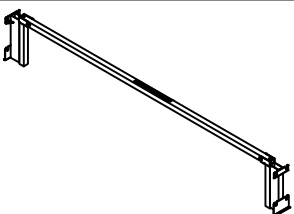
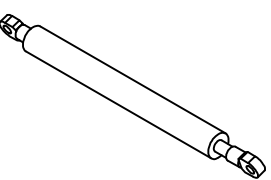
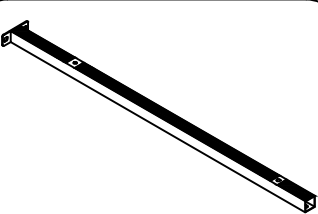
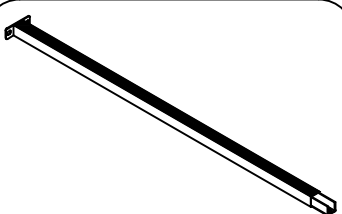
PEOPLE NEEDED FOR ASSEMBLY: 1-2

- Open your item in the area you plan to keep it to avoid excessive heavy lifting.
- Identify, sort and count the parts before attempting assembly.
- Do NOT use harsh chemicals or abrasive cleaners on this item.
- Never push, pull, or drag your furniture.

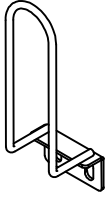


Board Identification

Not actual size

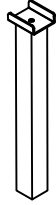
			
A 1PC BACKREST	B 1PC FOOTBOARD	C1 2PCS SIDE PANEL	
			
D1 1PC LEFT SIDE PANEL	D2 1PC RIGHT SIDE PANEL	E 1PC BEDHEAD UPPER BACK PANEL	F1 1PC BEDHEAD LEFT SIDE PANEL
			
F2 1PC BEDHEAD RIGHT SIDE PANEL	G1 12PCS WOOD SLAT	H1 1PC LIFTING SYSTEM ACCESSORY	H2 1PC LIFTING SYSTEM ACCESSORY
			
I1 2PCS SIDE TUBE	J1 1PC HEAD TUBE	J2 1PC FOOT TUBE	K 2PCS BEDHEAD LEG
			
L1 1PC MIDDLE CONNECTING TUBE	N1 2PCS LIFTING SYSTEM ROD	O1 1PC MIDDLE METAL TUBE	O2 1PC MIDDLE METAL TUBE

Part List



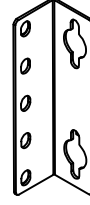
V 2PCS

MATTRESS STOPPER



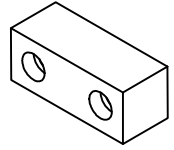
P 2PCS

MIDDLE SUPPORT LEG



Q 4PCS

METAL PLATE

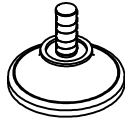


U 3PCS



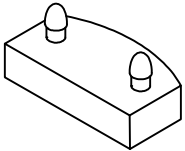
W 1PC

PULL ROPE



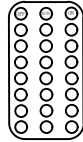
S 2PCS

FOOT



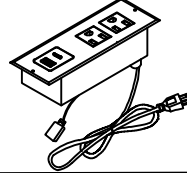
R 24PCS

SLAT ACCESSORY



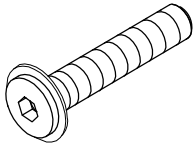
T 1PC

REMOTE CONTROL



M 1PC

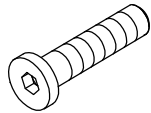
SOCKET



M8*50mm

X1 10PCS

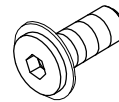
BOLT
spare:1



M8*45mm

X2 10PCS

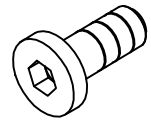
BOLT
spare:1



M8*30mm

X3 20PCS

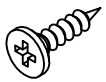
BOLT
spare:3



M8*18mm

X4 34PCS

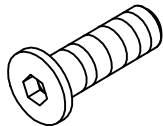
BOLT
spare:3



M3*16mm

X5 2PCS

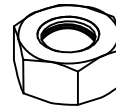
SCREW



M8*35mm

X6 4PCS

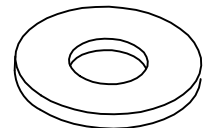
BOLT



M8

Y 10PCS

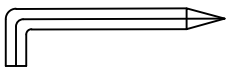
NUT
spare:1



$\phi 22 * \phi 8.5$

Z1 8PCS

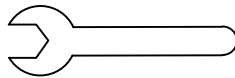
GASKET
spare:1



M8

Z2 1PC

ALLEN KEY



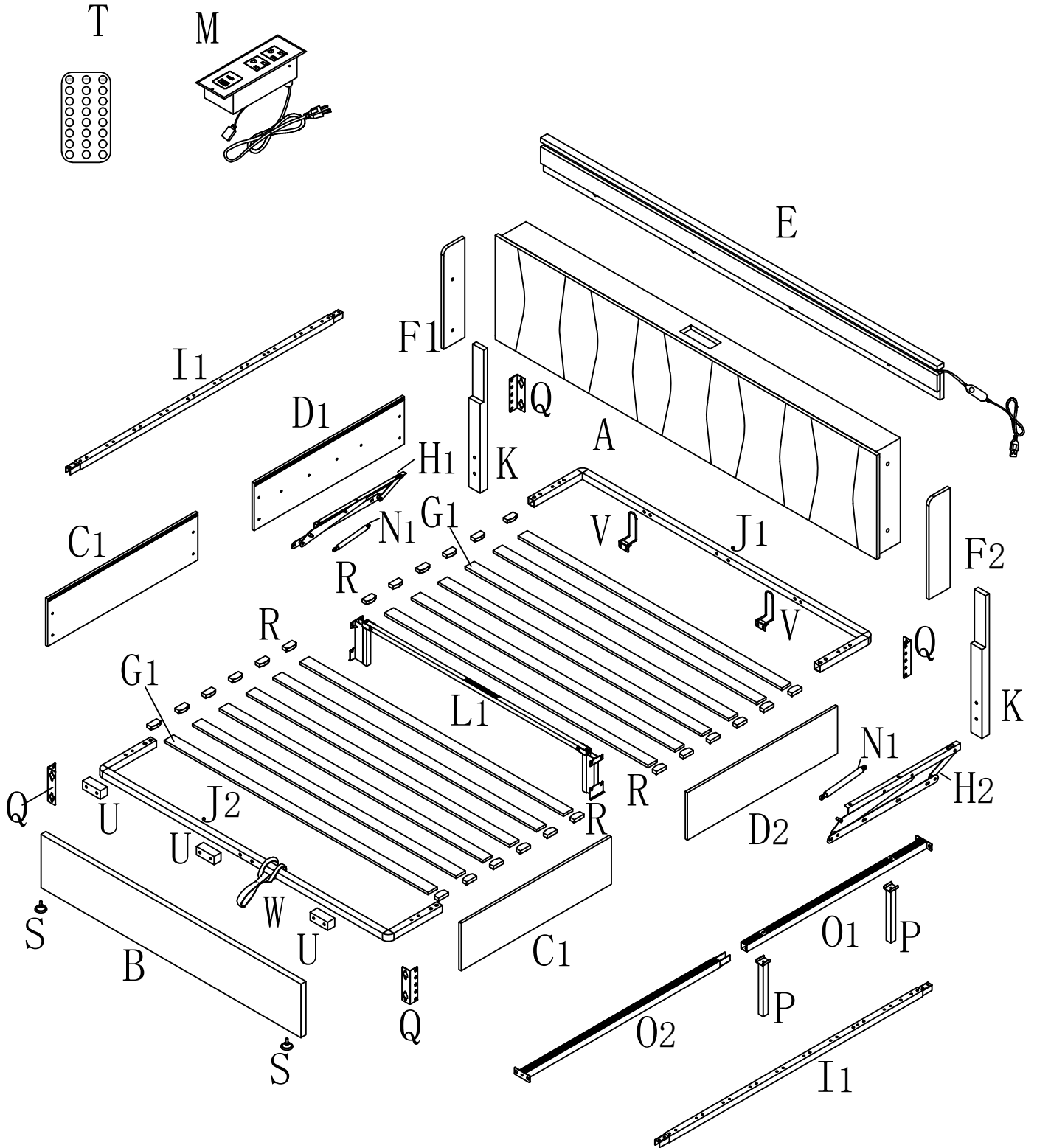
M8

Z3 1PC

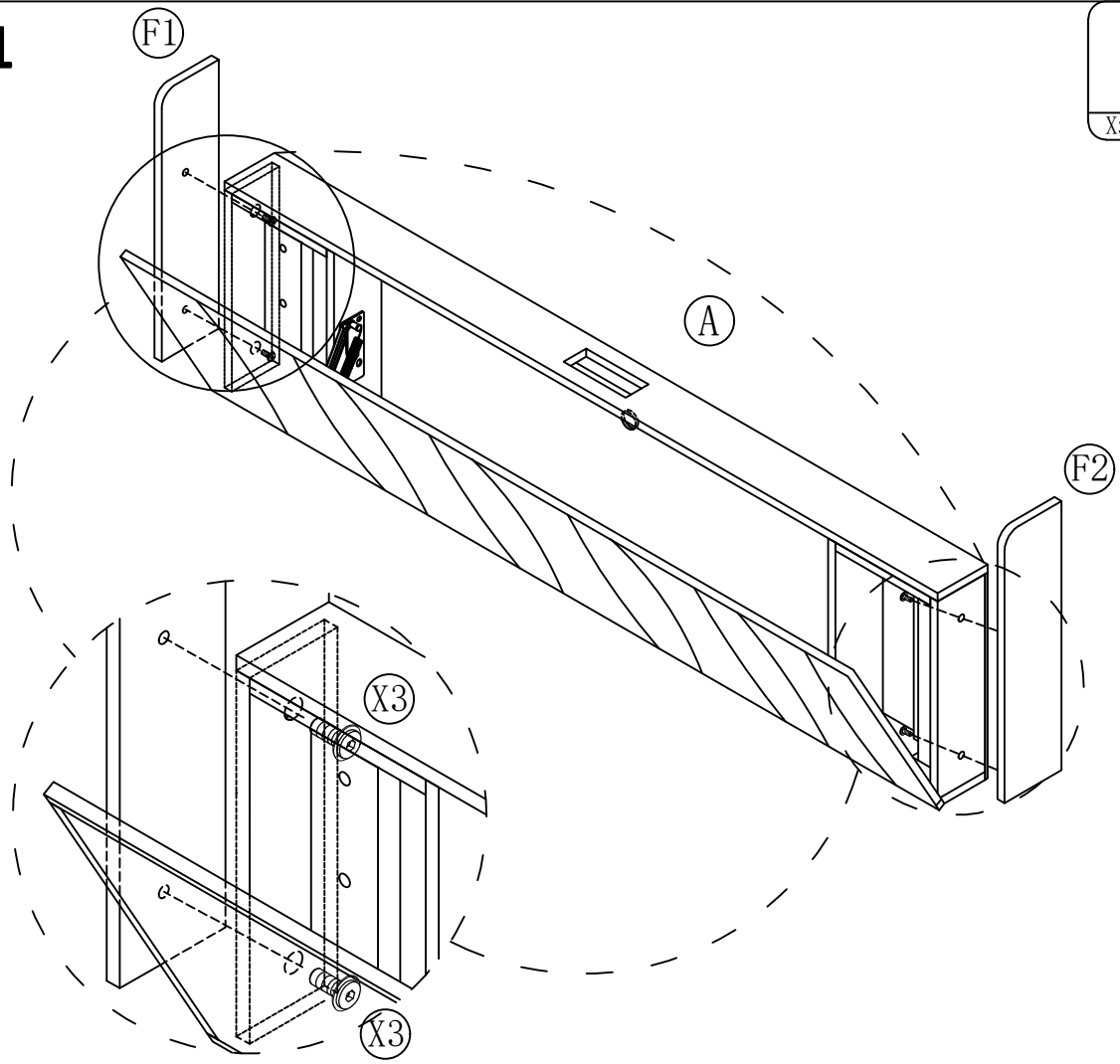
WRENCH


Board Identification

Not actual size

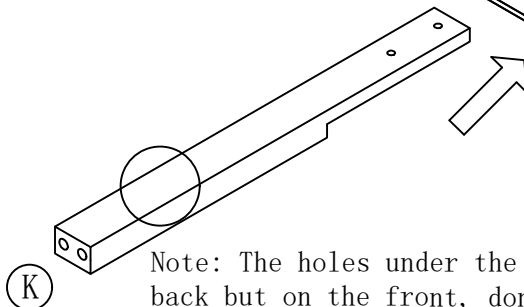
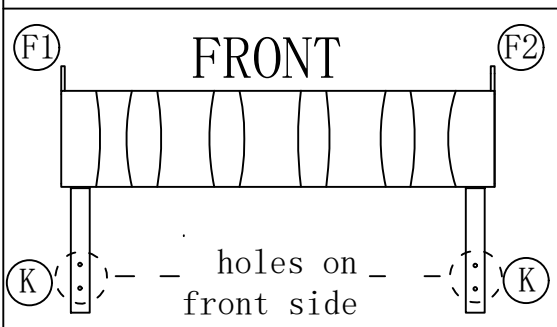
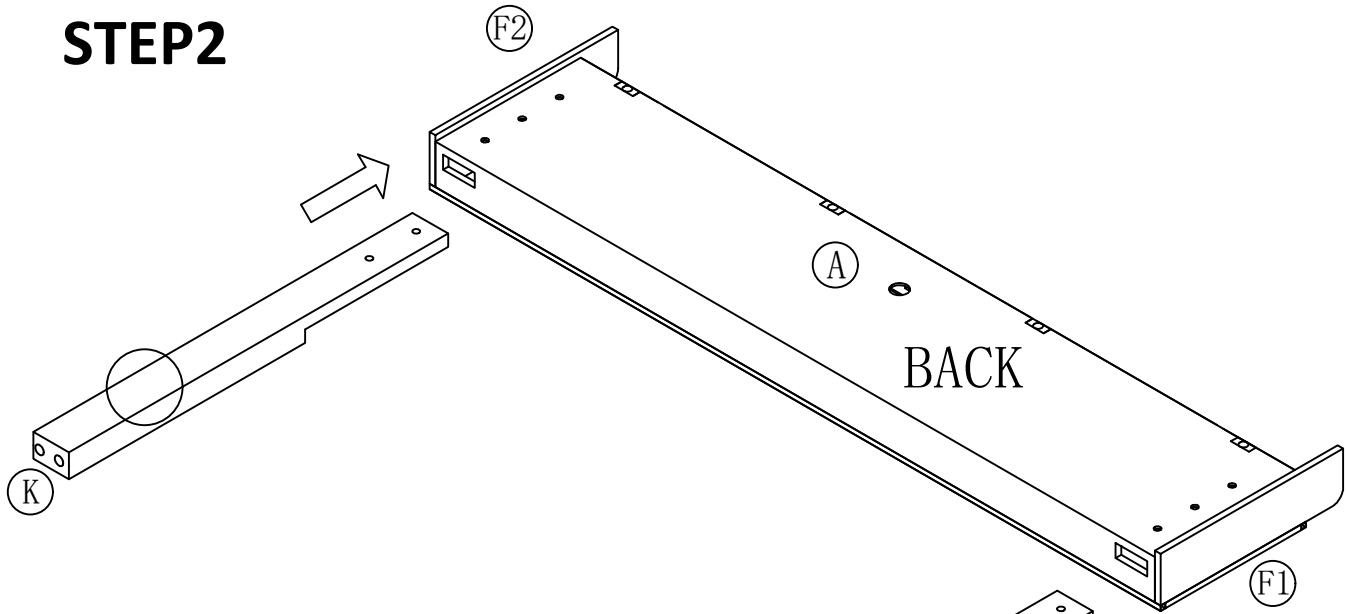


STEP1



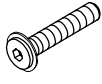


M8*30mm
X3 4PCS

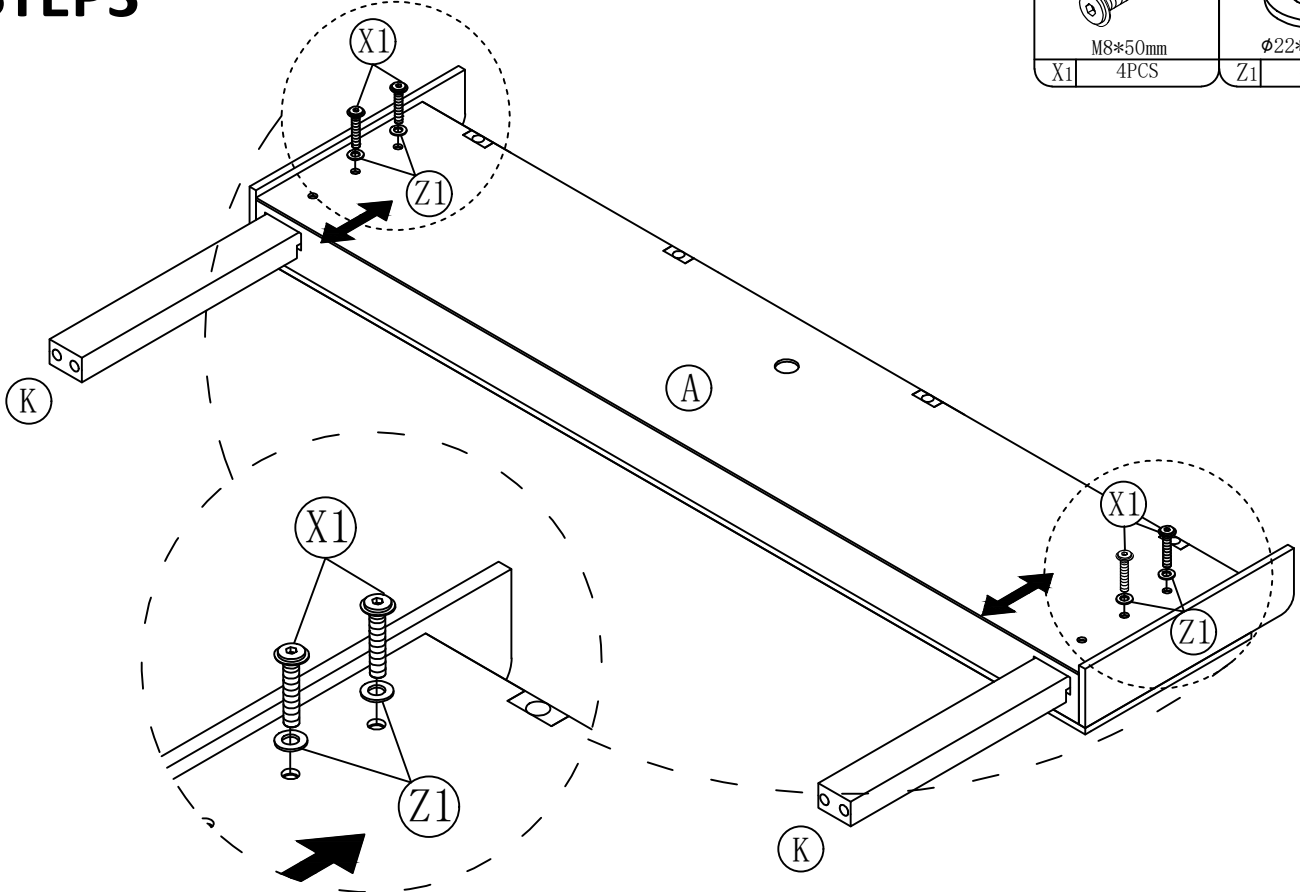
STEP2



Note: The holes under the legs are not on the back but on the front, don't install it wrong.


STEP3

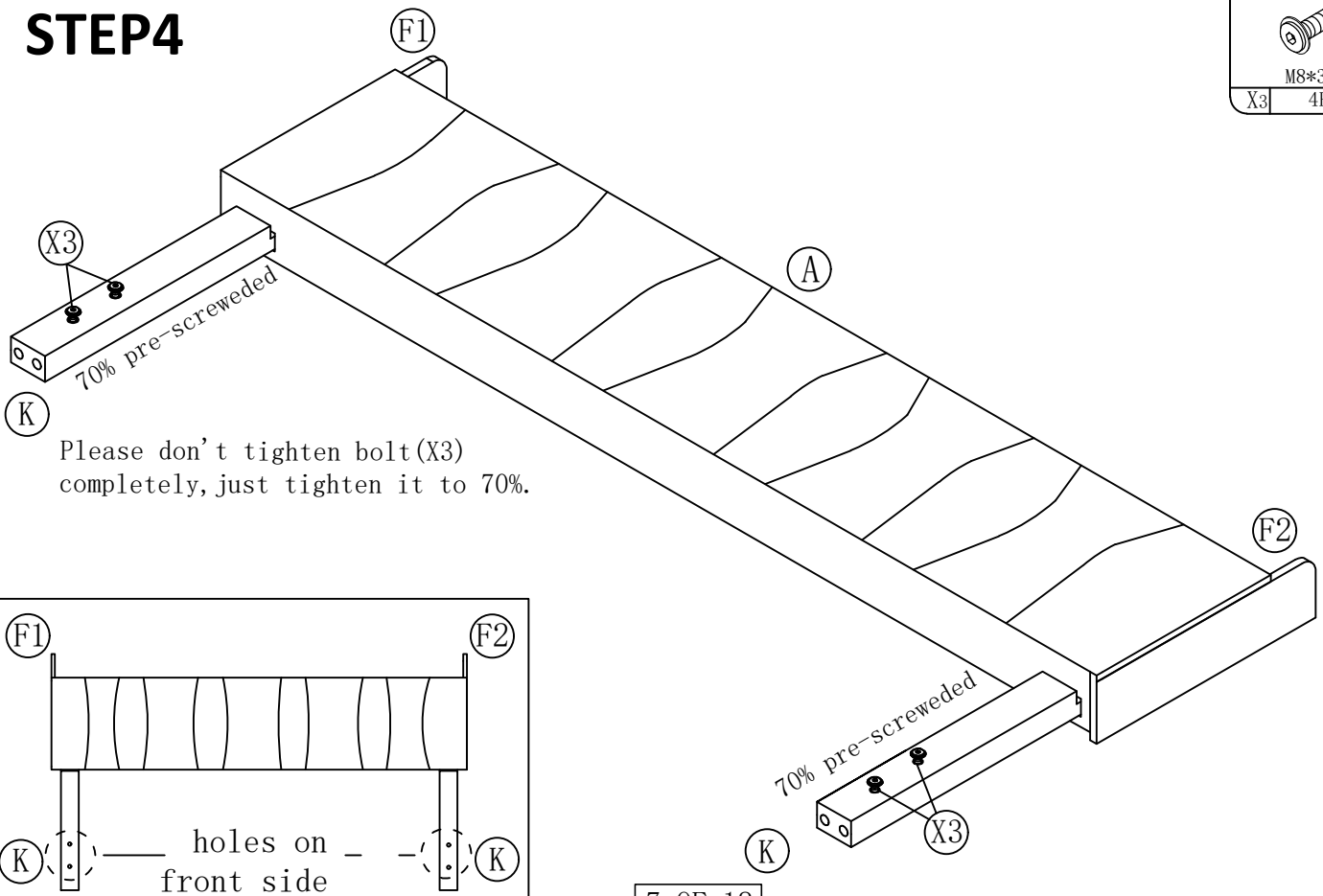
	
M8*50mm	Ø22*Ø8.5
X1 4PCS	Z1 4PCS



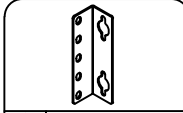

There are 3 screw holes on the left and right, you can choose 2 holes to adjust the height of the headboard.

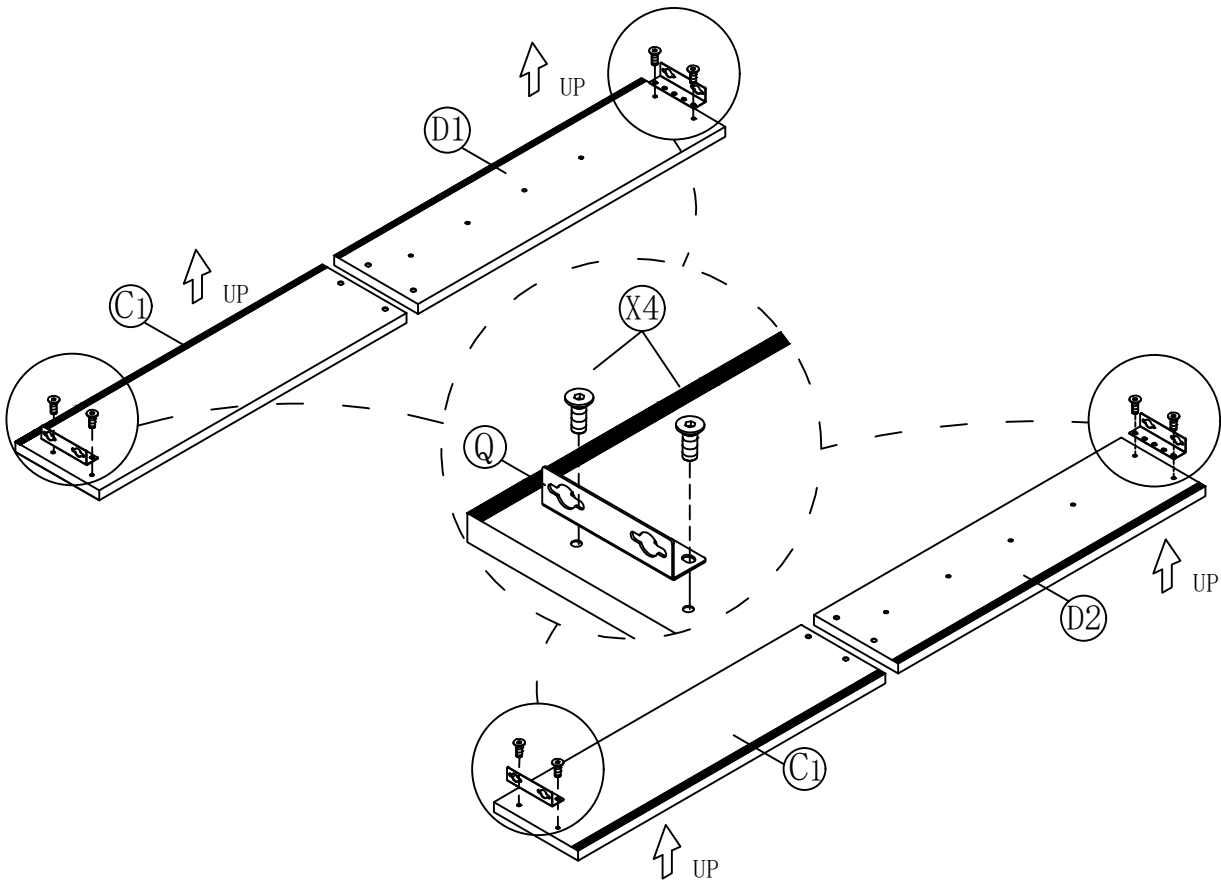
STEP4


M8*30mm
X3 4PCS




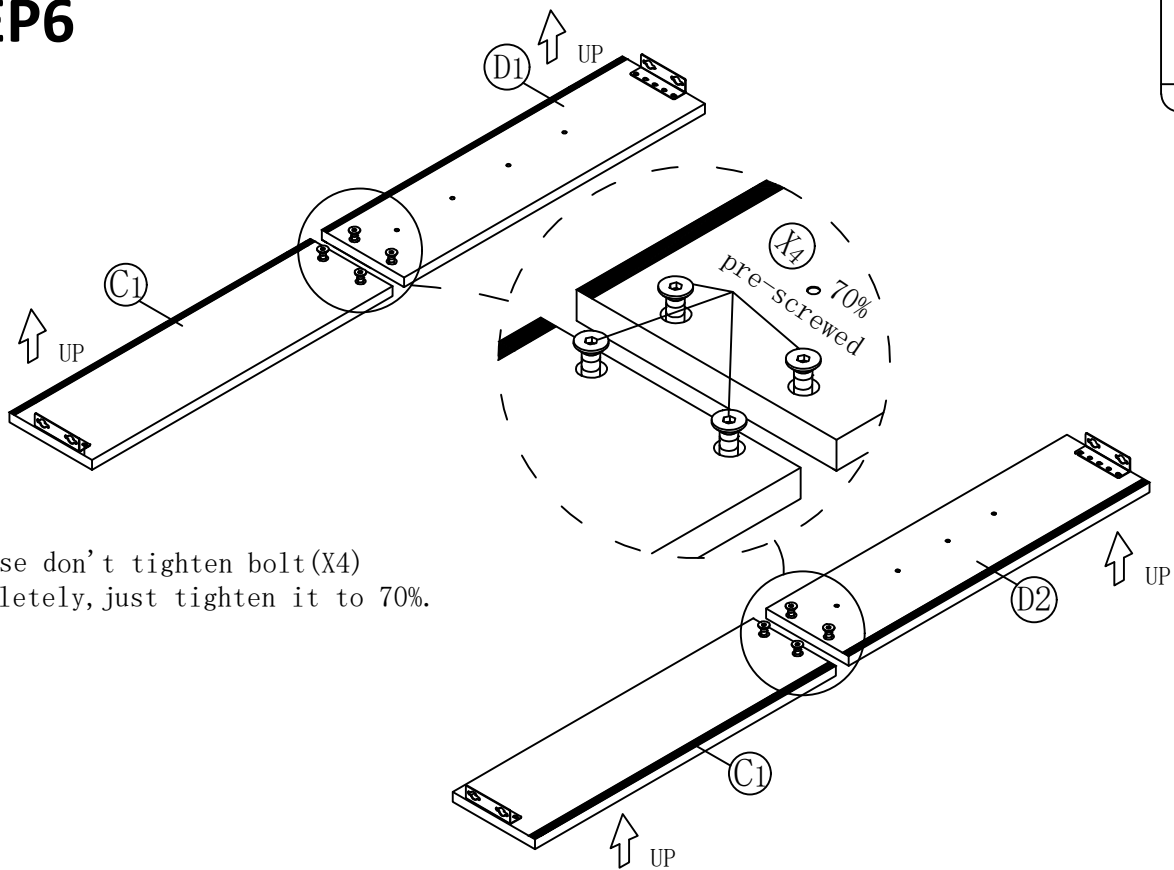
STEP5

	
Q 4PCS	X4 M8*16mm 8PCS



STEP6


X4 M8*16mm 8PCS

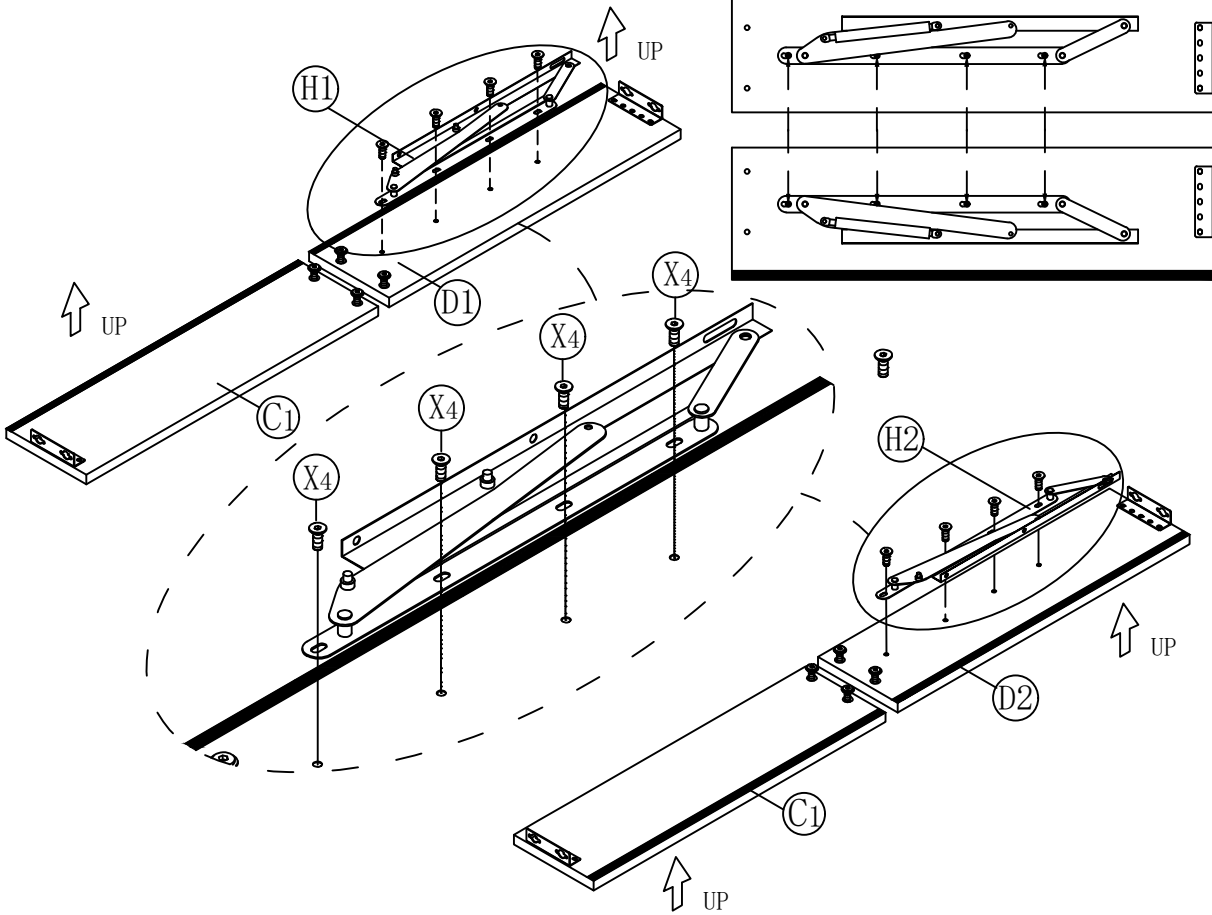


Please don't tighten bolt(X4) completely, just tighten it to 70%.

STEP7



M8*16mm
X4 8PCS



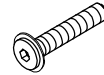
STEP8



S 2PCS



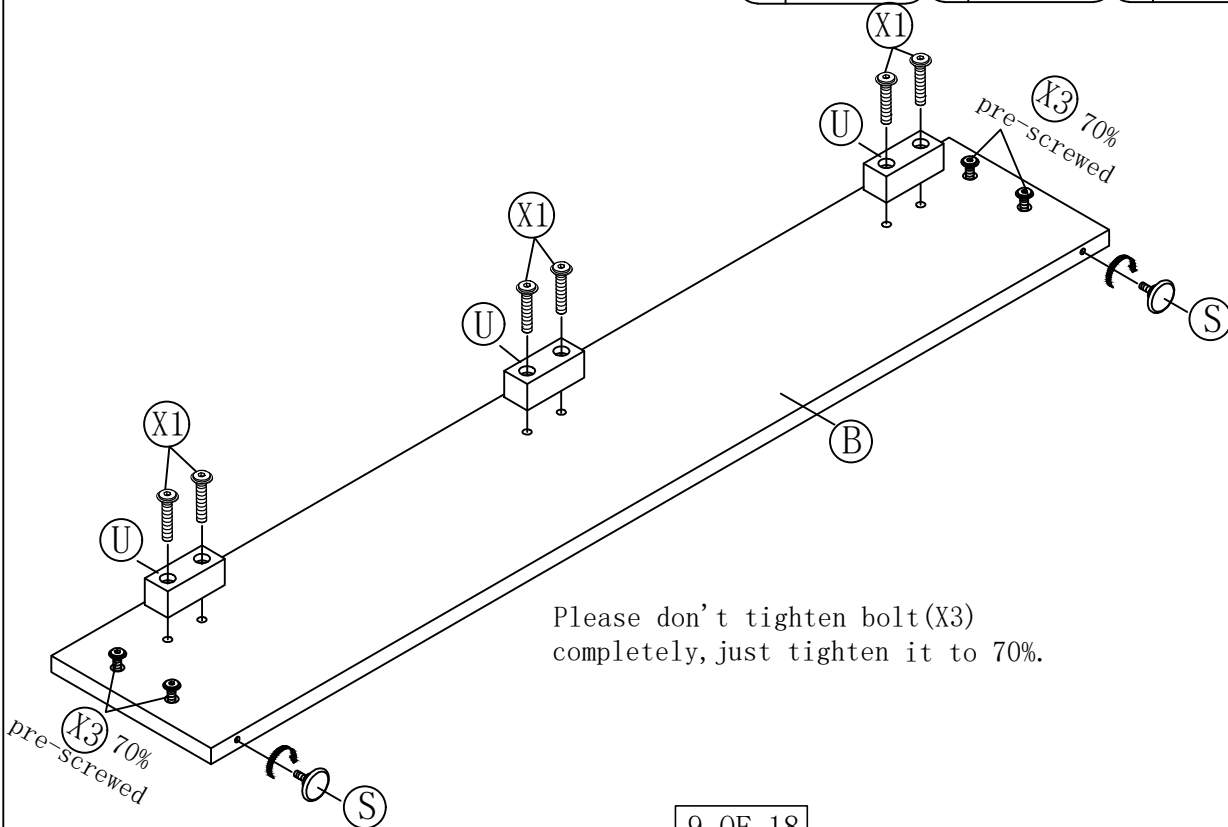
U 3PCS



M8*50mm
X1 6PCS




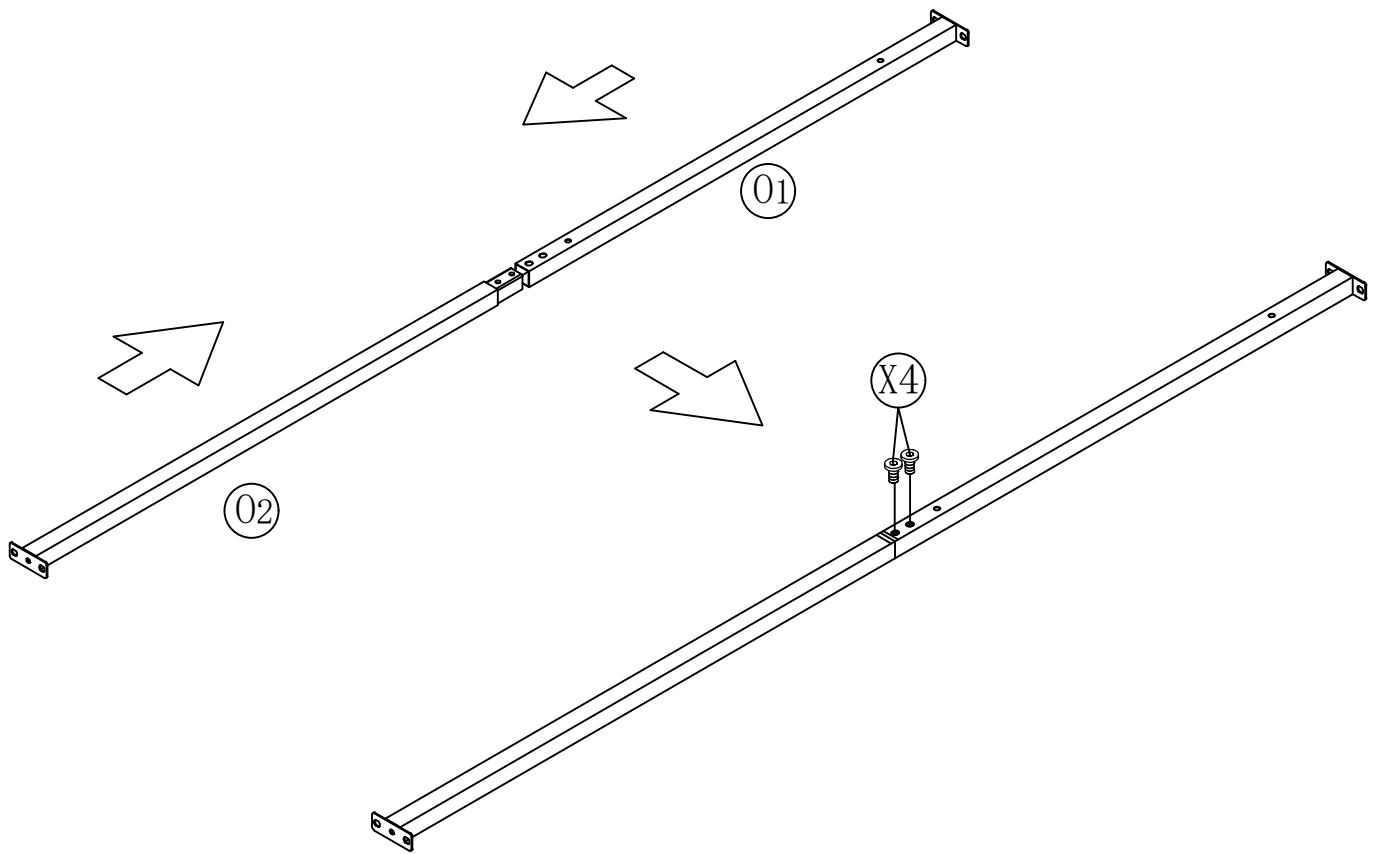
M8*30mm
X3 4PCS



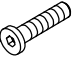
Please don't tighten bolt (X3) completely, just tighten it to 70%.

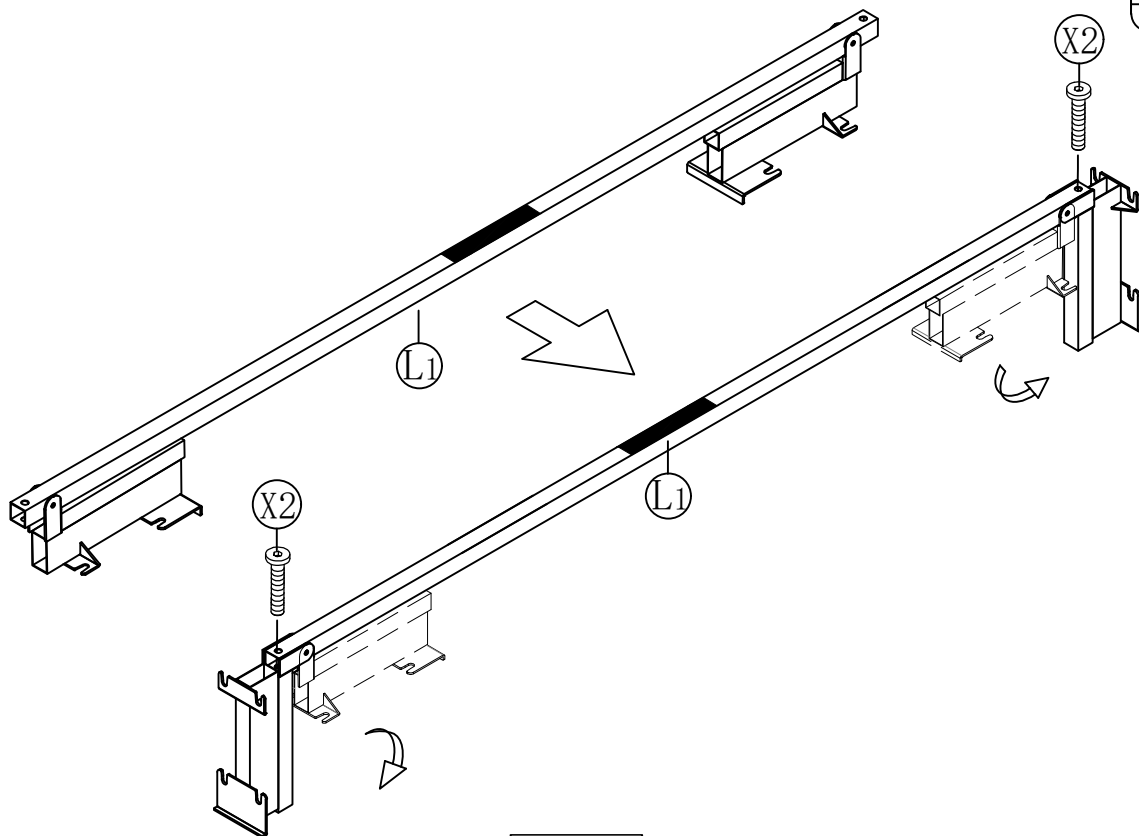
STEP9


M8*16mm
X4 2PCS

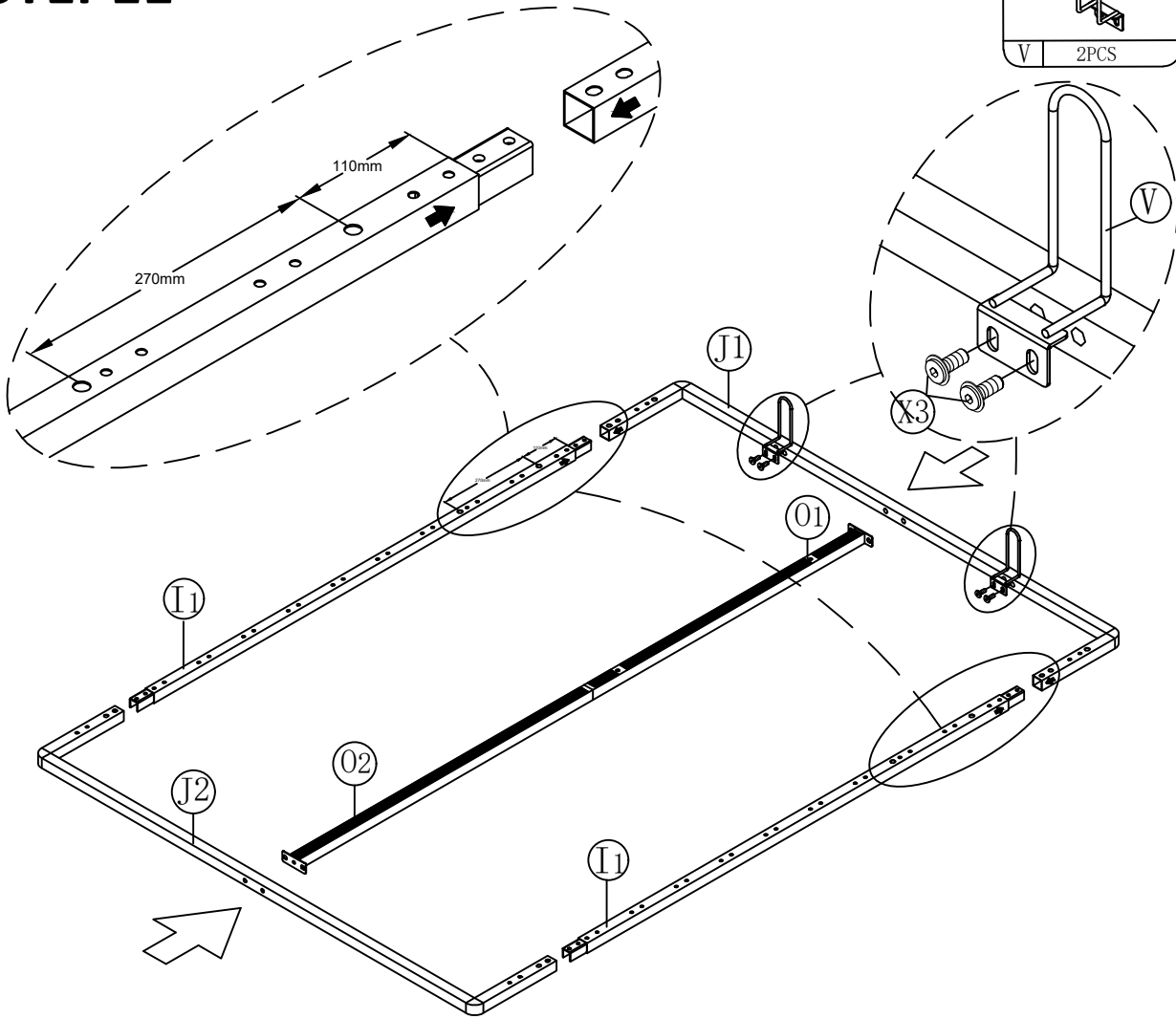


STEP10


M8*45mm
X2 2PCS

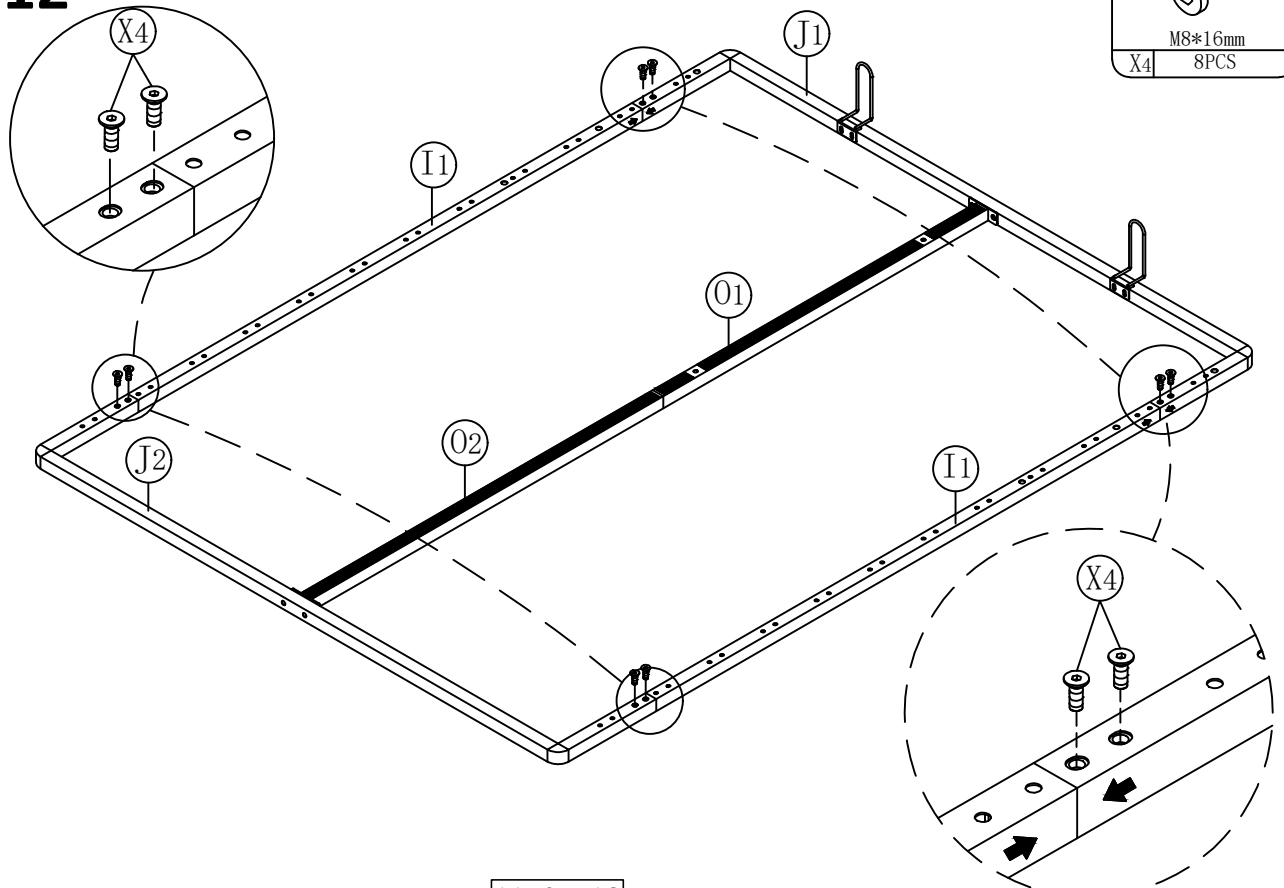


STEP11




	M8*30mm
V 2PCS	X3 4PCS

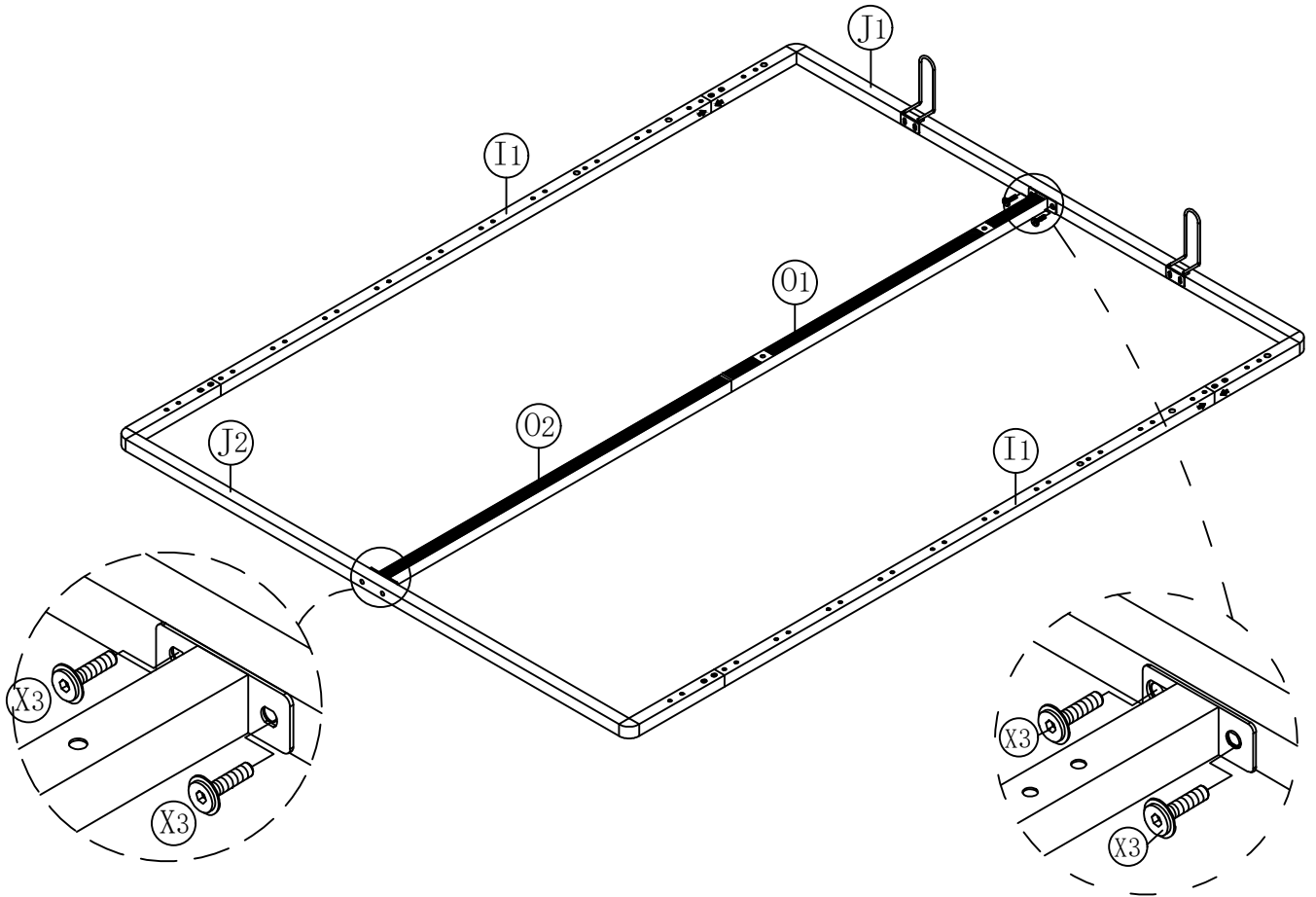
STEP12



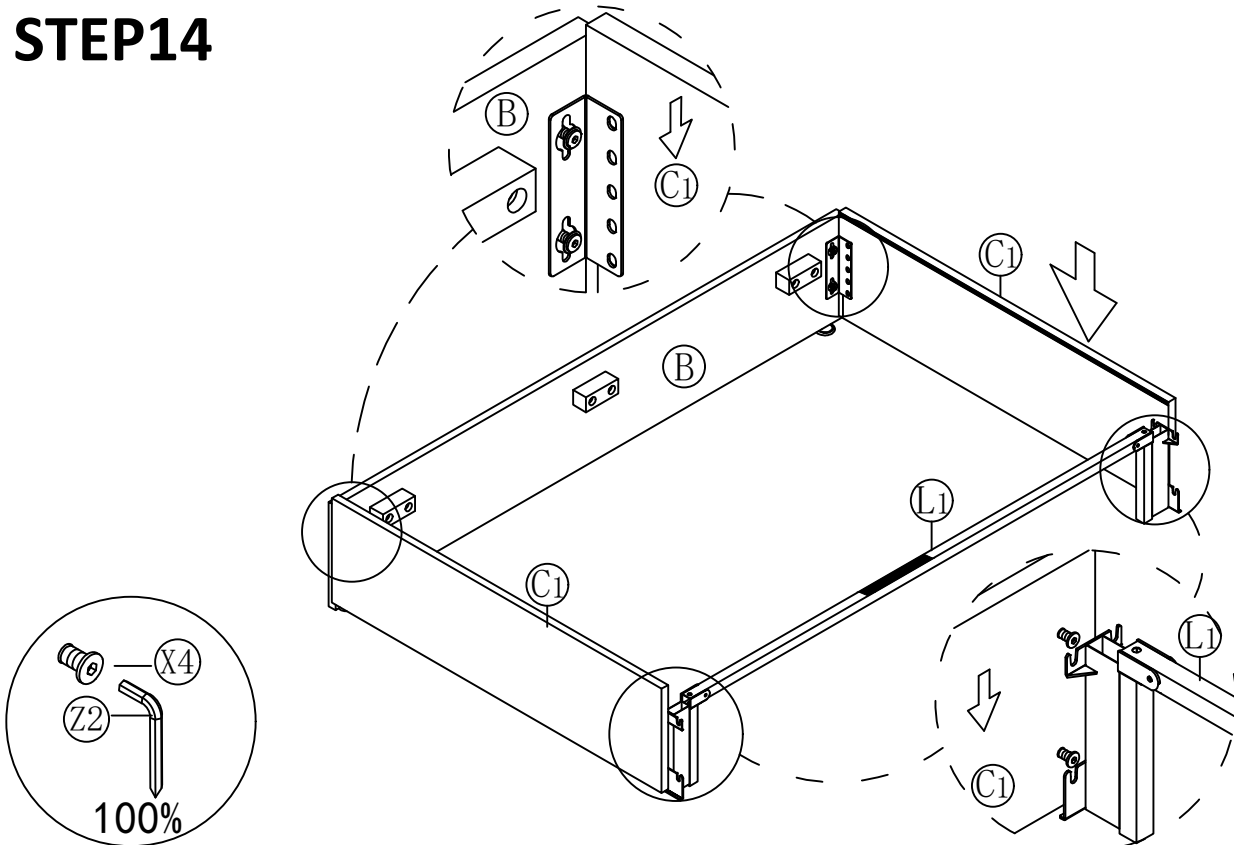
	M8*16mm
X4 8PCS	

STEP13


M8*30mm
X3 4PCS

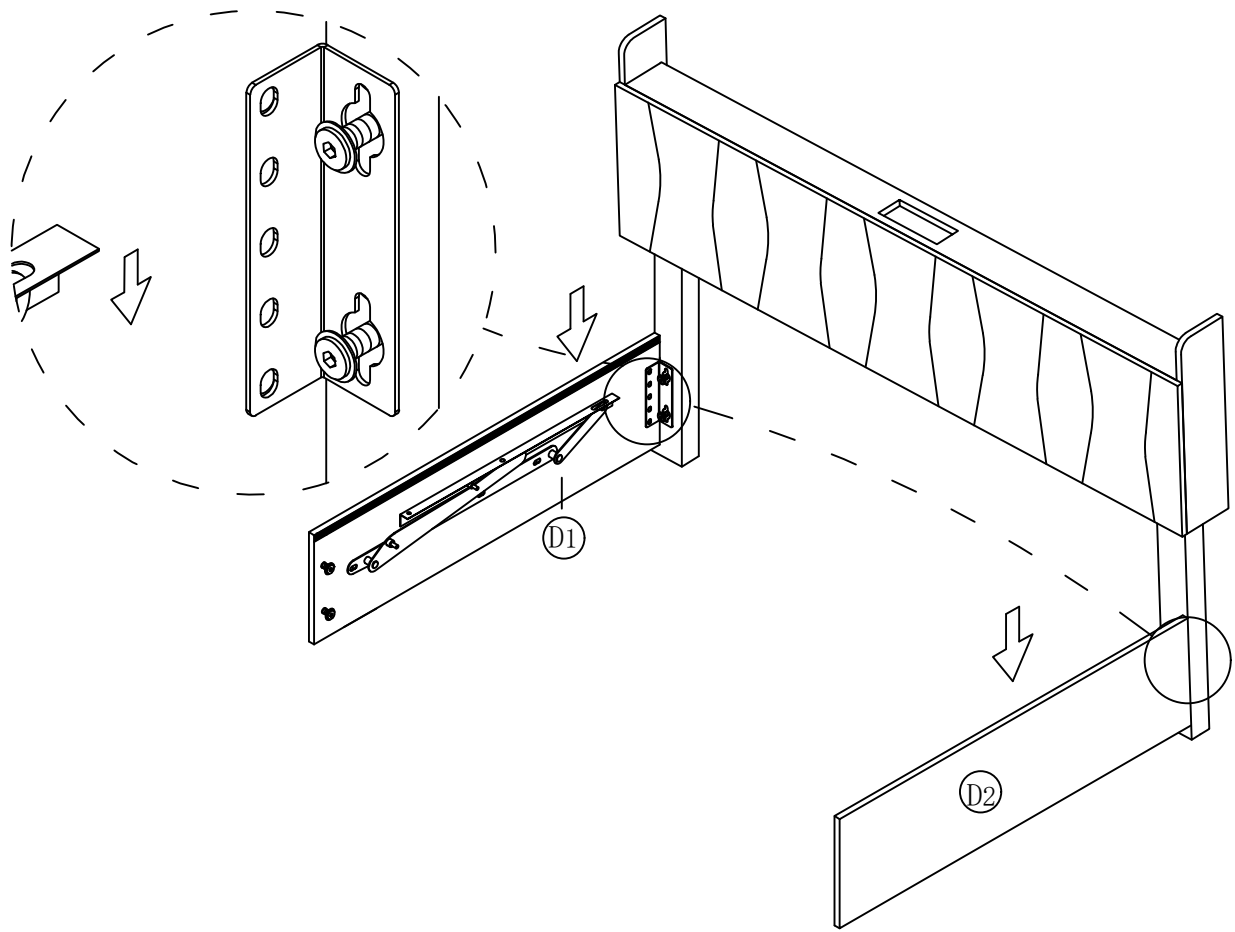


STEP14

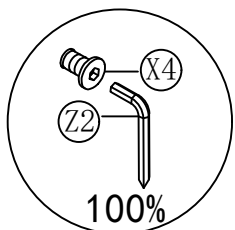
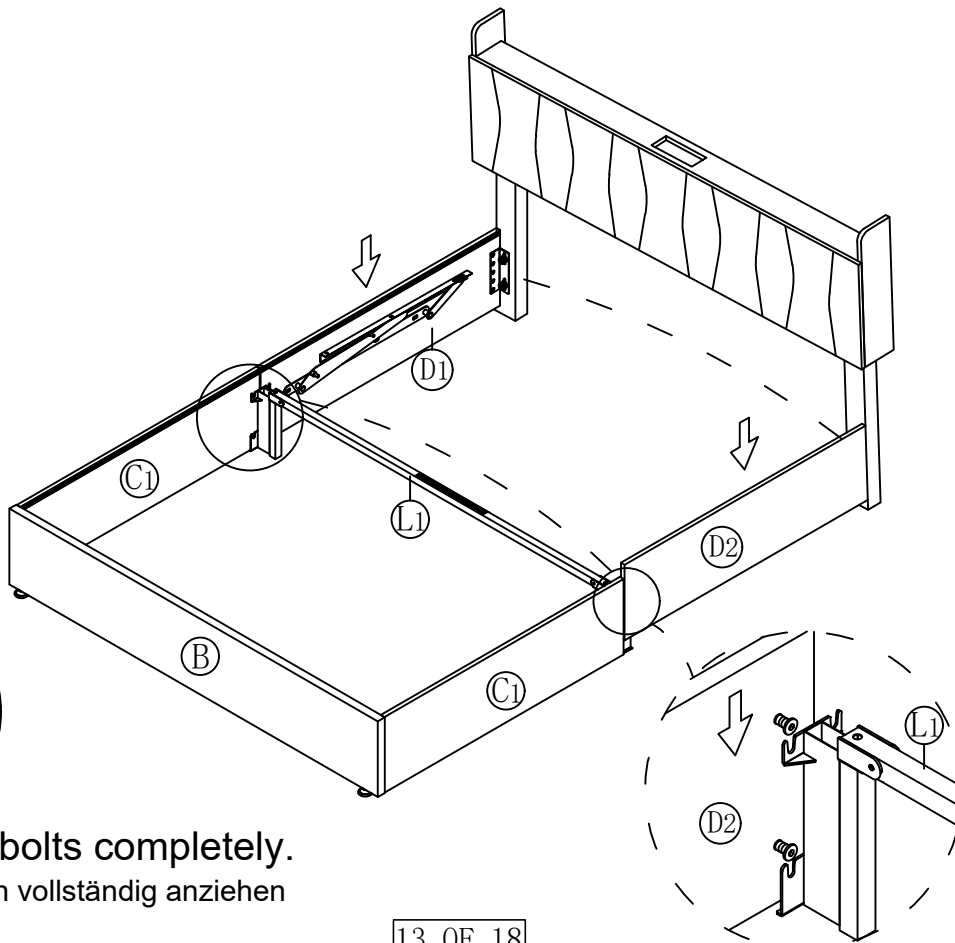


※Tighten all bolts completely.
Alle Schrauben vollständig anziehen

STEP15



STEP16



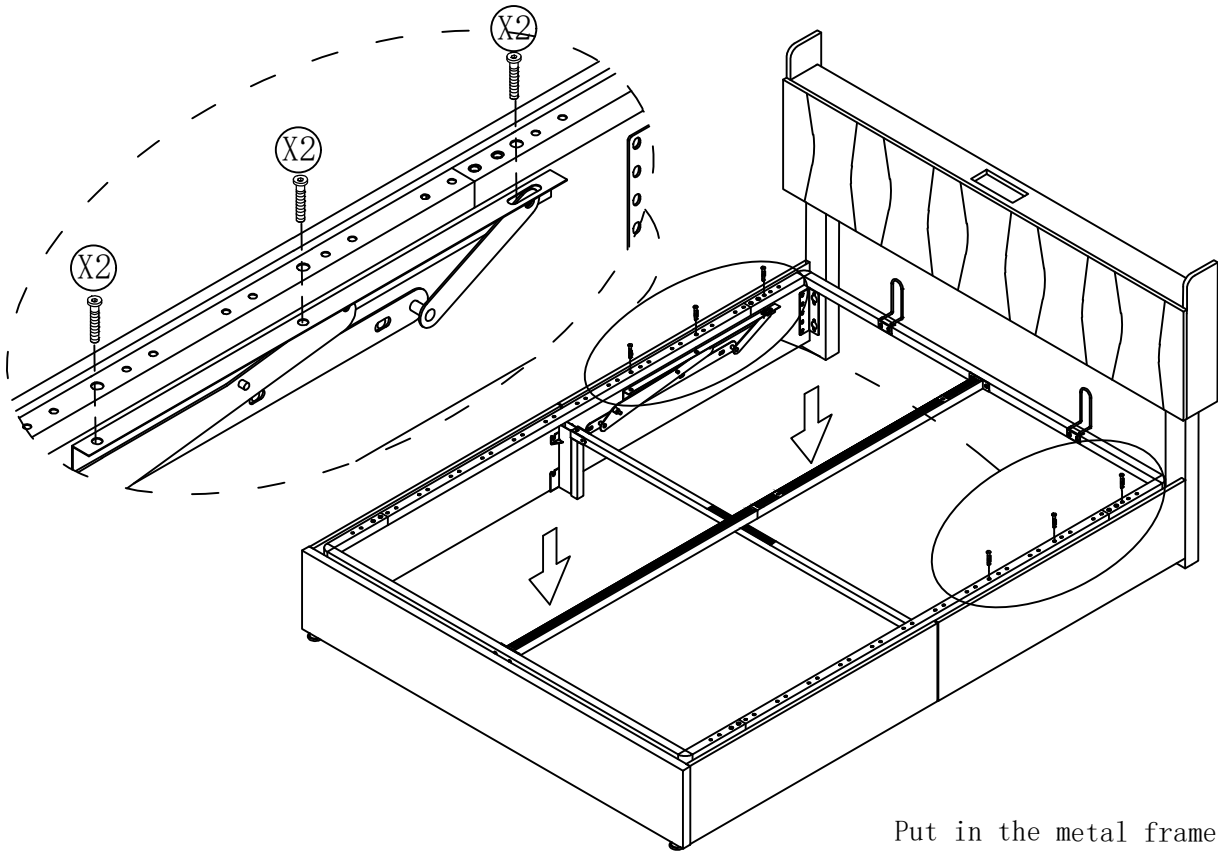
※ Tighten all bolts completely.
Alle Schrauben vollständig anziehen

STEP17



M8*45mm

X2 6PCS



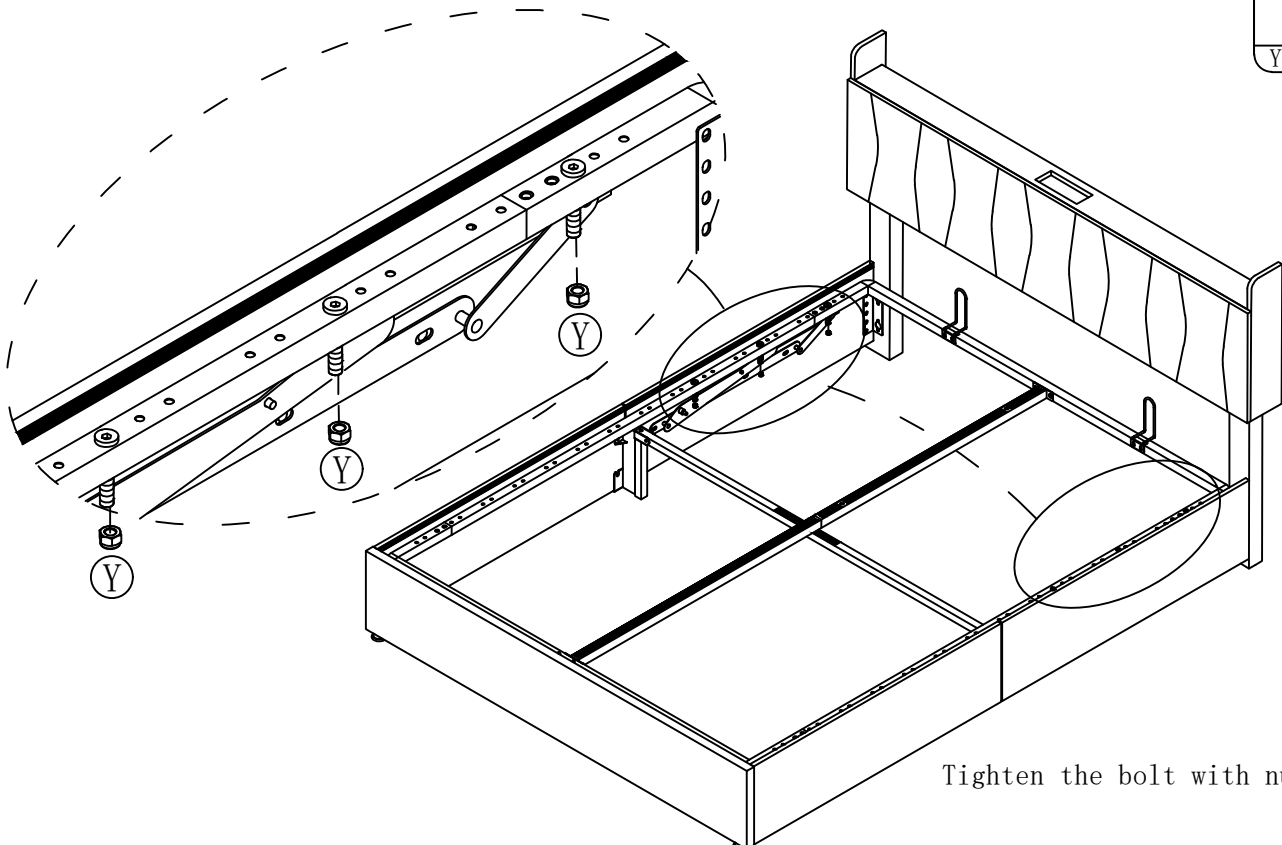
Put in the metal frame assembled in step 13, and connect the side tube and lifting system accessories with bolt (X2).

STEP18



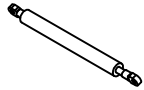

M8

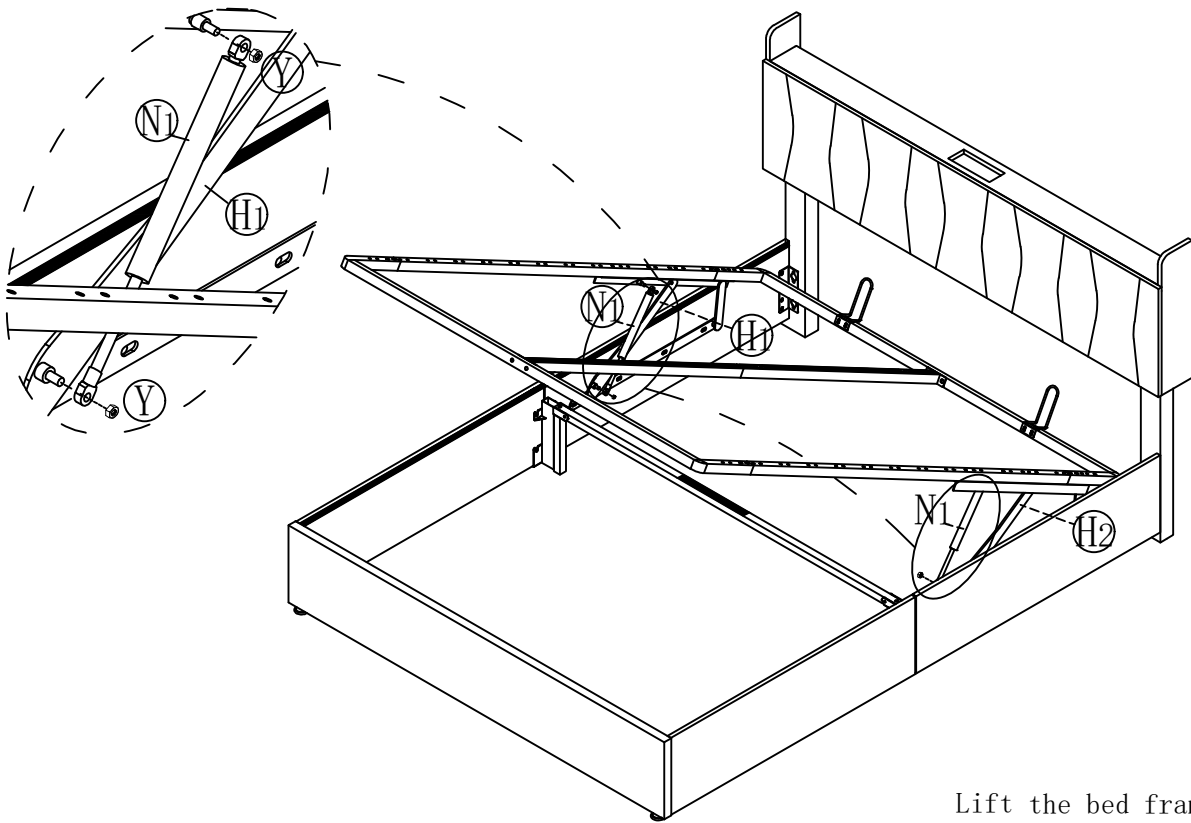
Y 6PCS



Tighten the bolt with nut (Y).


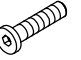
STEP19

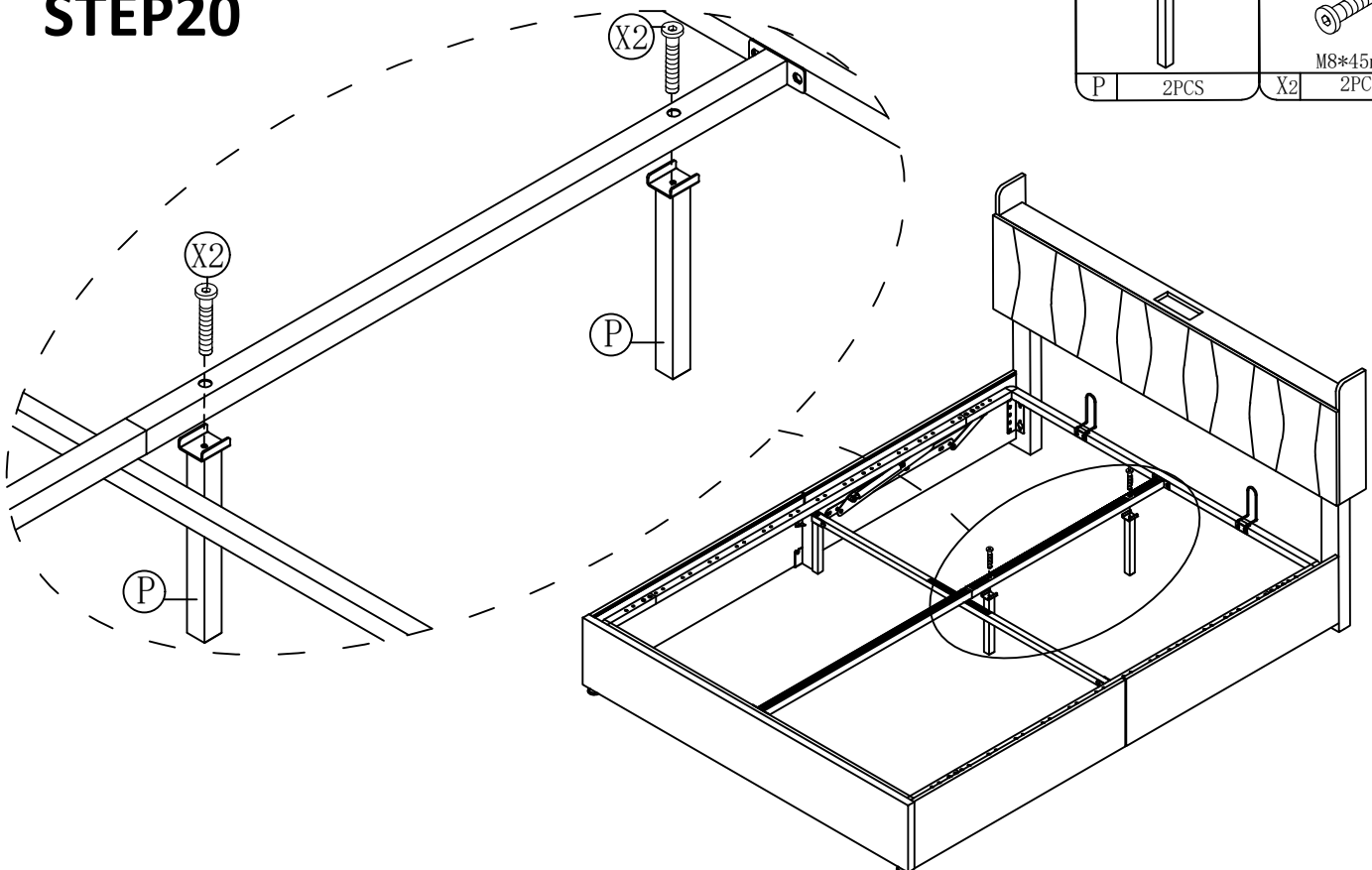
	
N1	M8
2PCS	4PCS





Lift the bed frame and tighten the lifting system rod(N1) on the lifting system accessory(H1) (H2) with nut (Y).

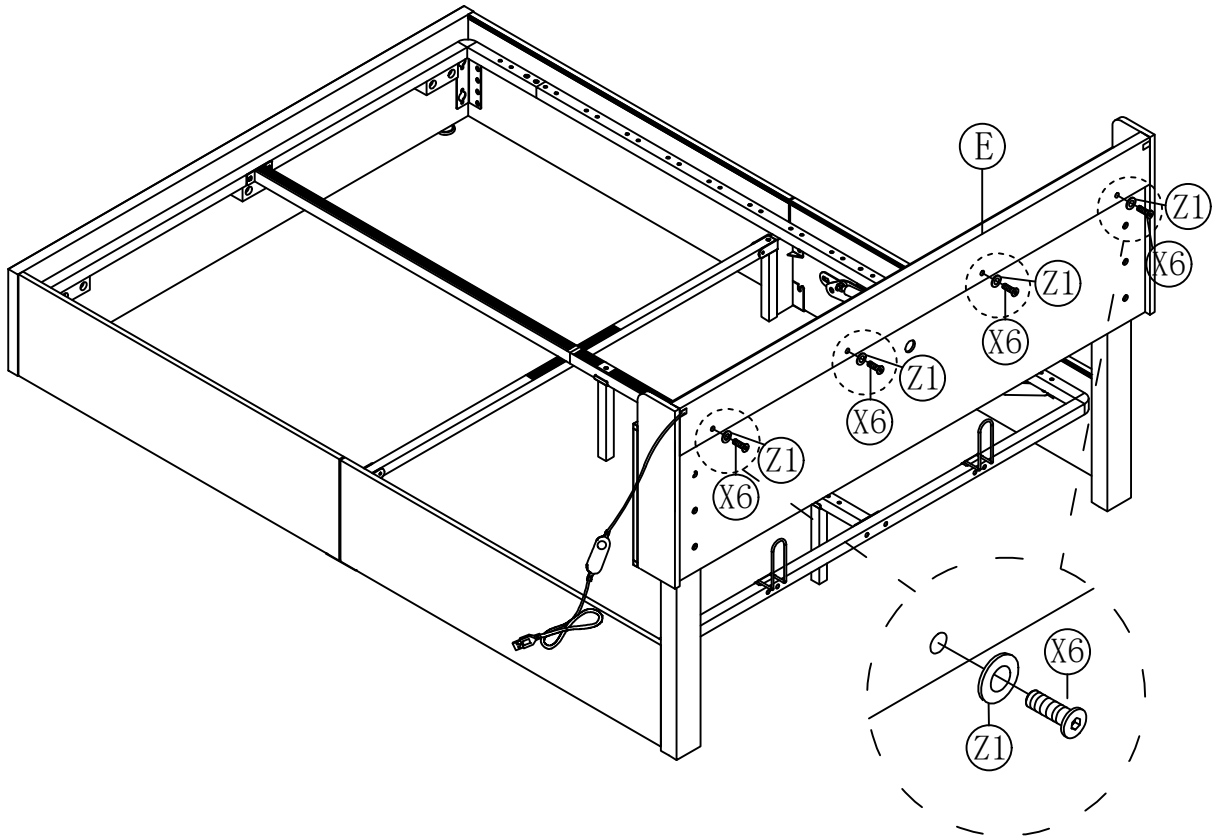
STEP20

	
P	M8*45mm
2PCS	X2
	2PCS





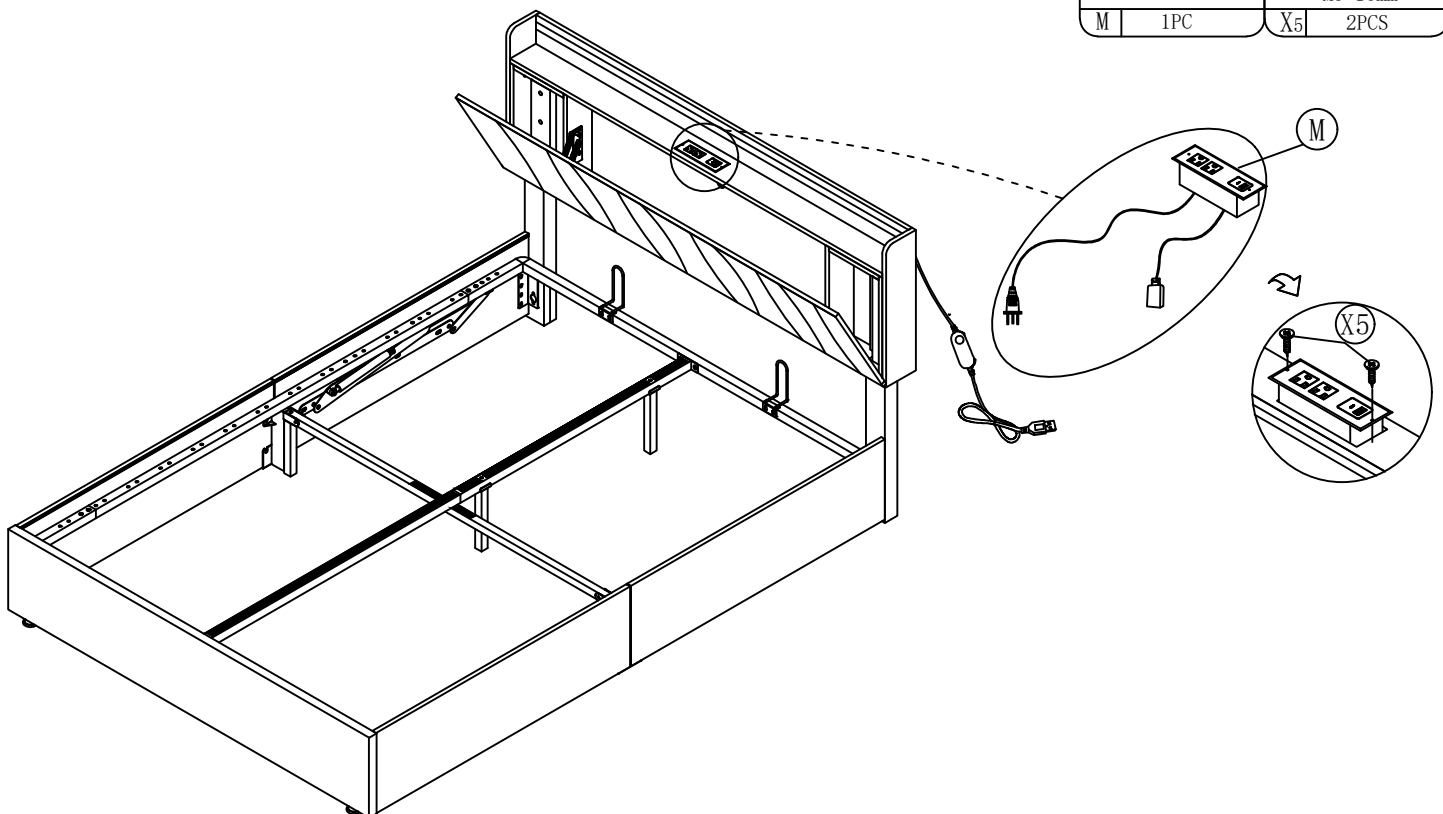
STEP21

	
M8*35mm	φ22*φ8.5
X6 4PCS	Z1 4PCS

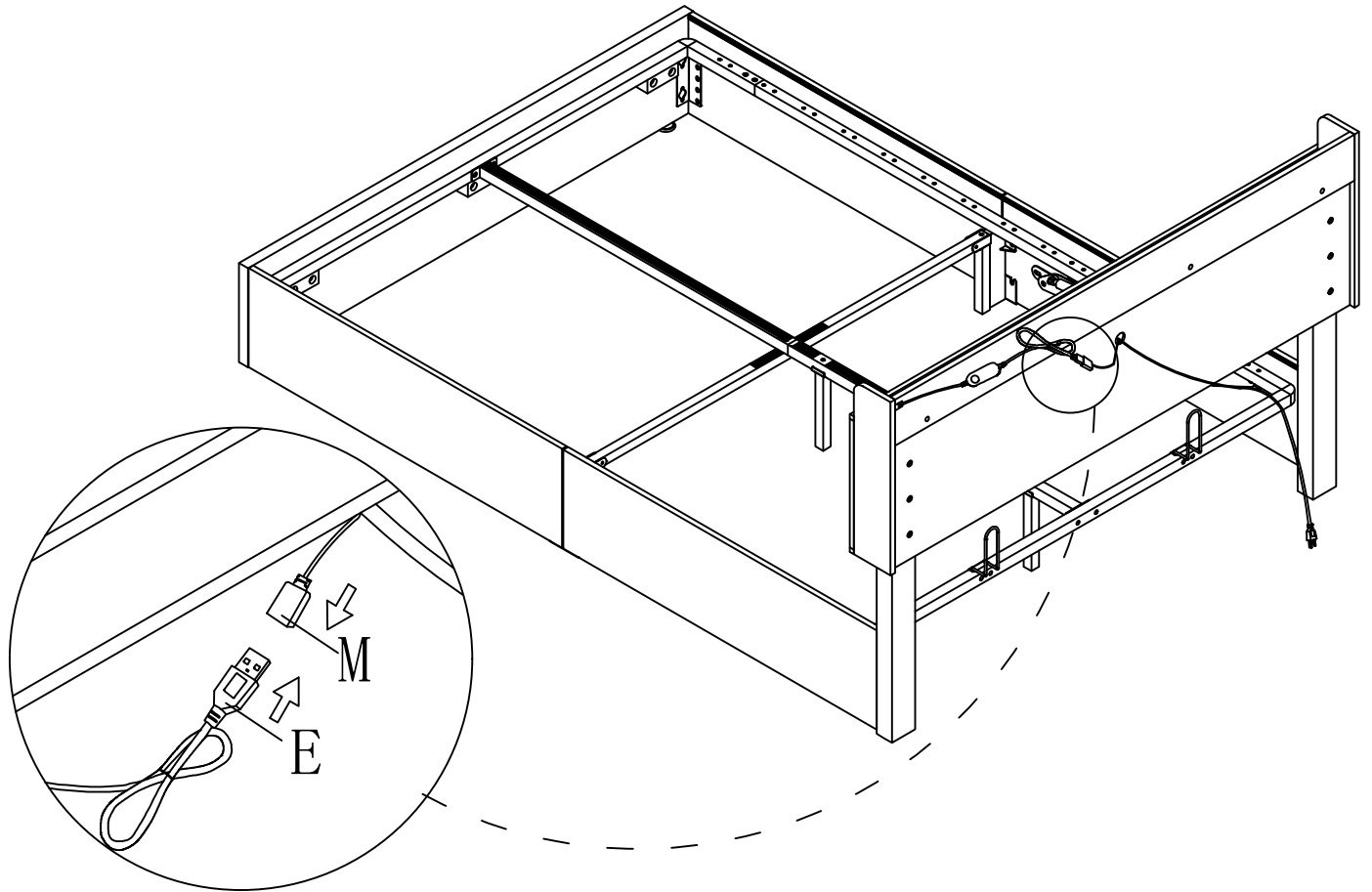


STEP22

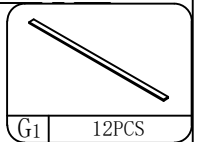
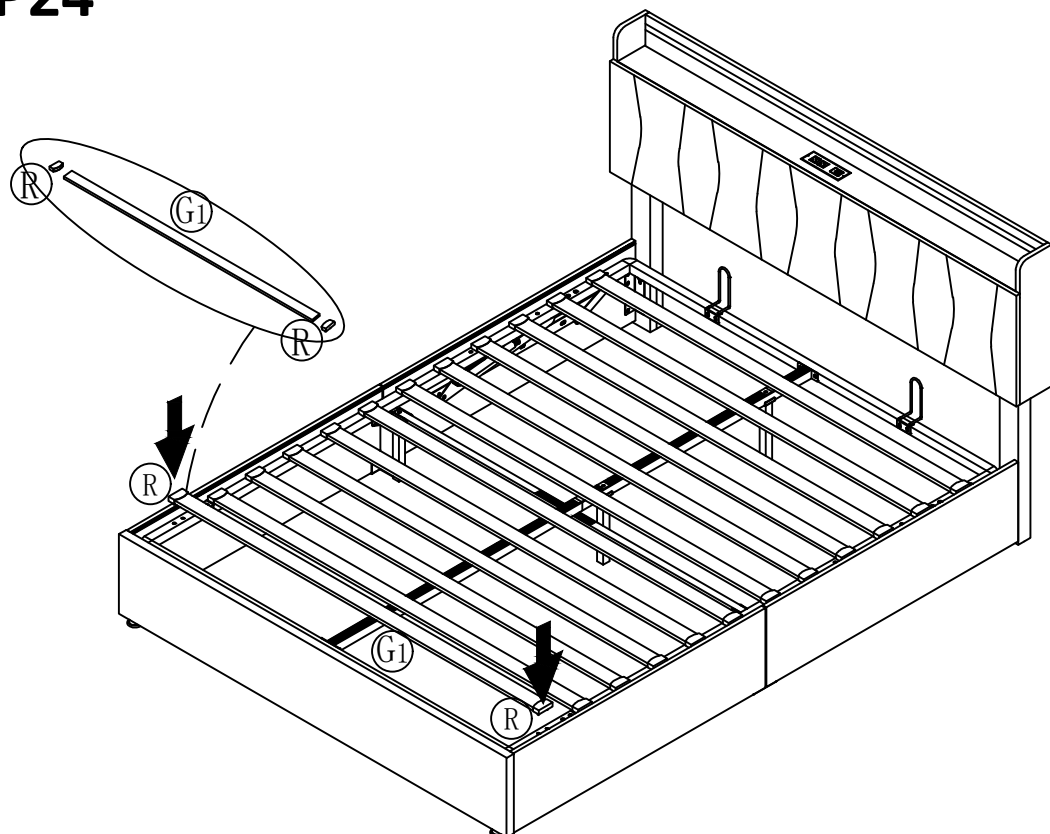
	
M 1PC	M3*16mm
X5 2PCS	



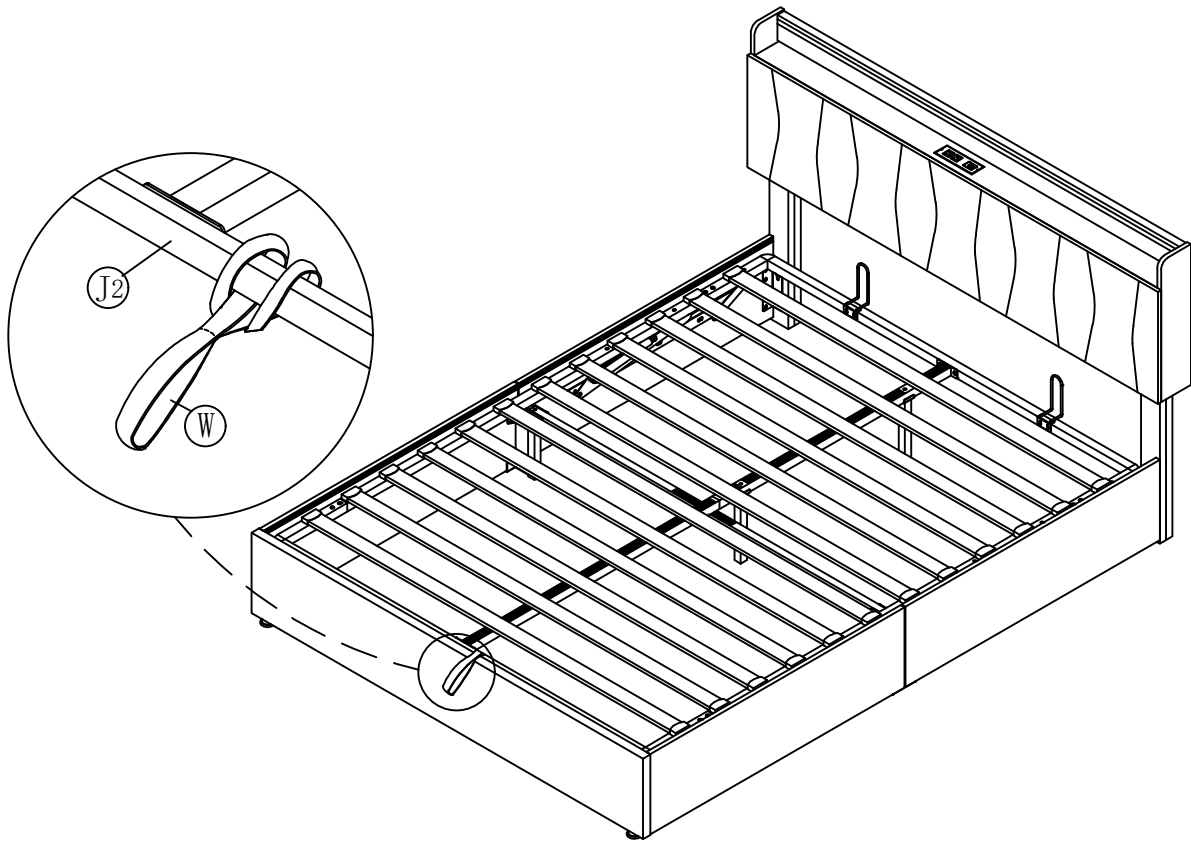
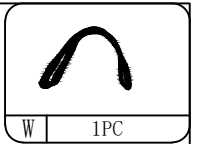
STEP23



STEP24



STEP25



STEP26

