

NOTICE

*Please make sure that you have all parts indicated and they are in good condition before you begin assembly of this item. Refer to part list and hardware list below for guidance.

*This item should be assembled on a soft surface to prevent scratching the finish during assembly.

*This item may require periodic tightening.

*If you are having difficulty, our friendly Customer Care team is always here to help. Please email customersupport@safavieh.com

PREPARATION

*Before beginning assembly of product, make sure all parts are present. Compare parts with part contents list and hardware contents list.

*If any part is missing or damaged, do not attempt to assemble the product.








*Tools Required for Assembly (included): Allen Key and Wrench Key

*Estimated Assembly Time: 10 minutes.

CARE AND MAINTENANCE

Store outdoor furniture indoors or cover well when not in use. Dust regularly with small brush or vacuum. Spills should be taken care of immediately before they harden or stain with a slightly damp sponge.

Part List and Hardware List

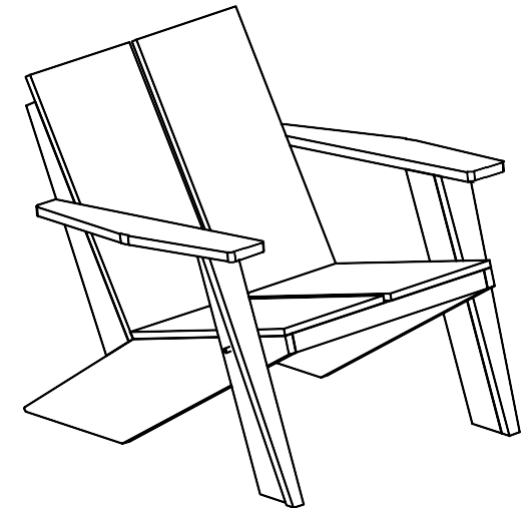
PIECE	DESCRIPTION	PICTURE	QUANTITY				
A	Seat Panel		1x				
B	Backrest Panel		1x				
C	Left leg Panel		1x				
D	Right leg Panel		1x				
HW1	Allen bolt M6x30mm		6x				
HW2	Allen screw M6x45mm		2x	HW3	Allen Key		1x



MODEL# PAT6800

PRODUCT DIMENSIONS:

TRENZA ADIRONDACK CHAIR: 32.17"L x 33.07"W x 29.13"H



Weight capacity : 275 Lbs (single seat)
 Warning : Do not stand on chair
 Warning : Do not over torque bolts/screws

PREPARATION

*Before beginning assembly of product, make sure all parts are present. Compare parts with part contents list and hardware contents list.

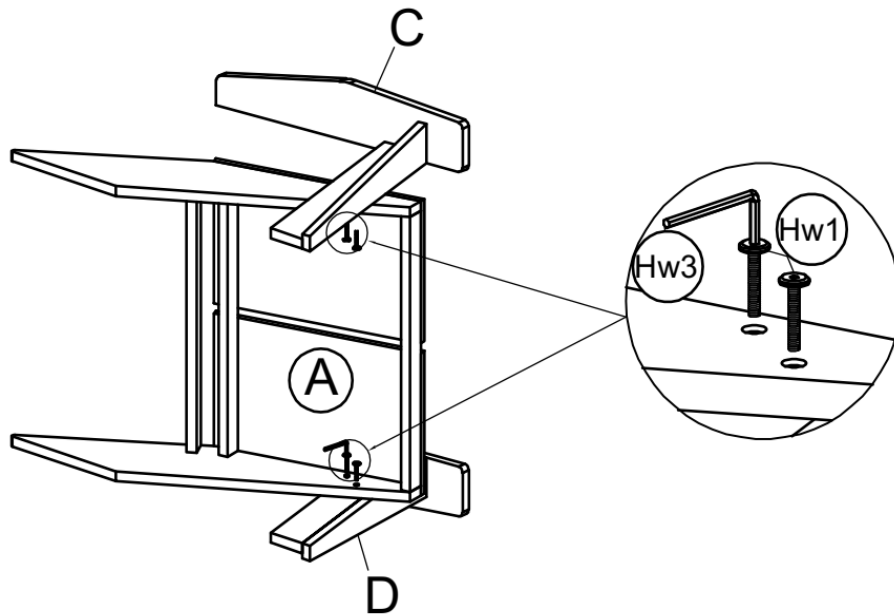
*If any part is missing or damaged, do not attempt to assemble the product.

*Estimated Assembly Time: 10 minutes.

*Tools Required for Assembly (included): Allen Key

*If you are having difficulty, our friendly Customer care team is always here to help. Please email customersupport@safavieh.com

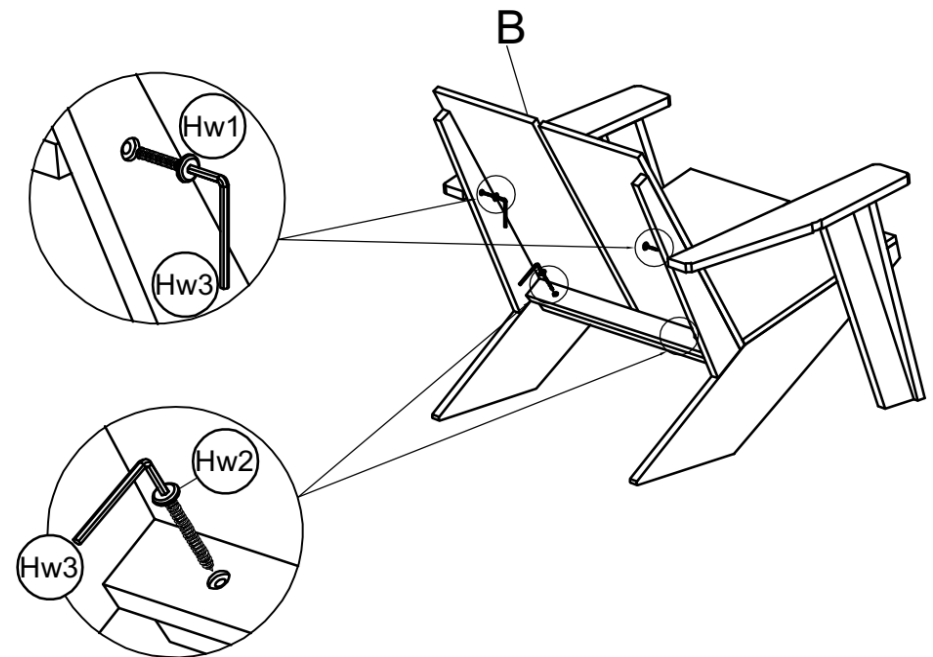
1



STEP 1: Assemble Left leg Panel (C) and Right leg Panel (D) with Seat Panel (A) by Allen Bolt (HW1) and Allen Screw (HW3) and using Allen Key (HW3) to fit.

When tightening the Bolts and Screws, tighten sequentially.

2



STEP 2: Assemble Backrest Panel (B) into the whole frame of Step 1 by Allen Bolt (HW1) and Allen Screw (HW2) and using Allen Key (HW3) to fit.

When tightening the Bolts and Screws, tighten sequentially.

PREPARATION

*Before beginning assembly of product, make sure all parts are present. Compare parts with part contents list and hardware contents list.

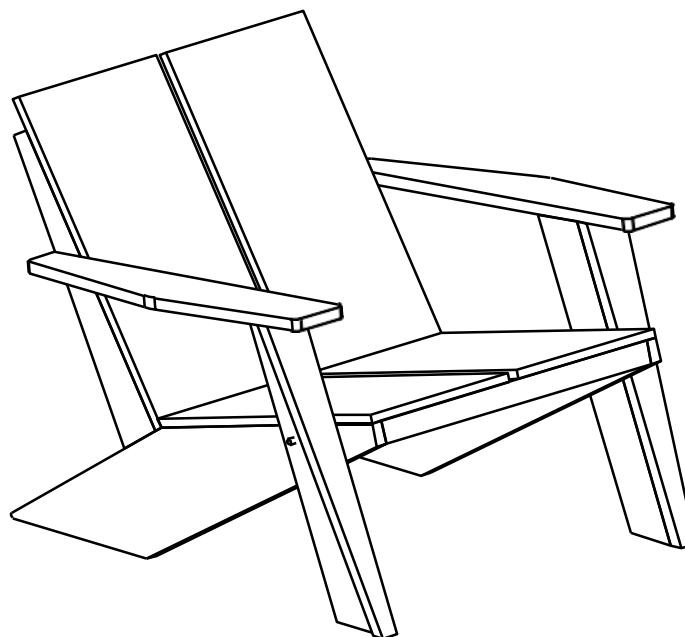
*If any part is missing or damaged, do not attempt to assemble the product.

*Estimated Assembly Time: 10 minutes.

*Tools Required for Assembly (included): Allen Key

*If you are having difficulty, our friendly Customer care team is always here to help. Please email customersupport@safavieh.com

3



STEP 3: Inspect the Chair and make sure all parts are connected. Place Chair in a flat surface for use.