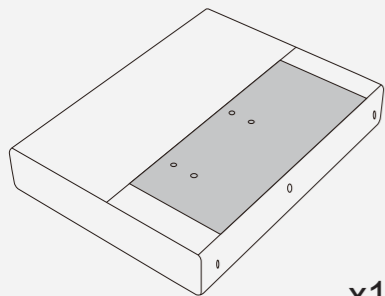


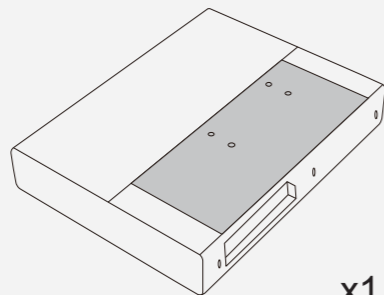
# CARTON A PART LIST

**A** Left Armrest



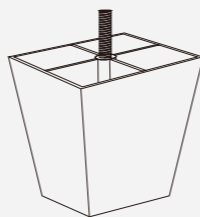
x1

**B** Right Armrest



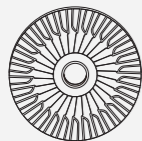
x1

**C** Plastic Leg



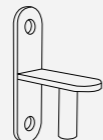
x4

**1** Plastic Washer



x4

**2** Armrest / Backrest Fitting



x4

**3** Screw



x10

**4** Screwdriver



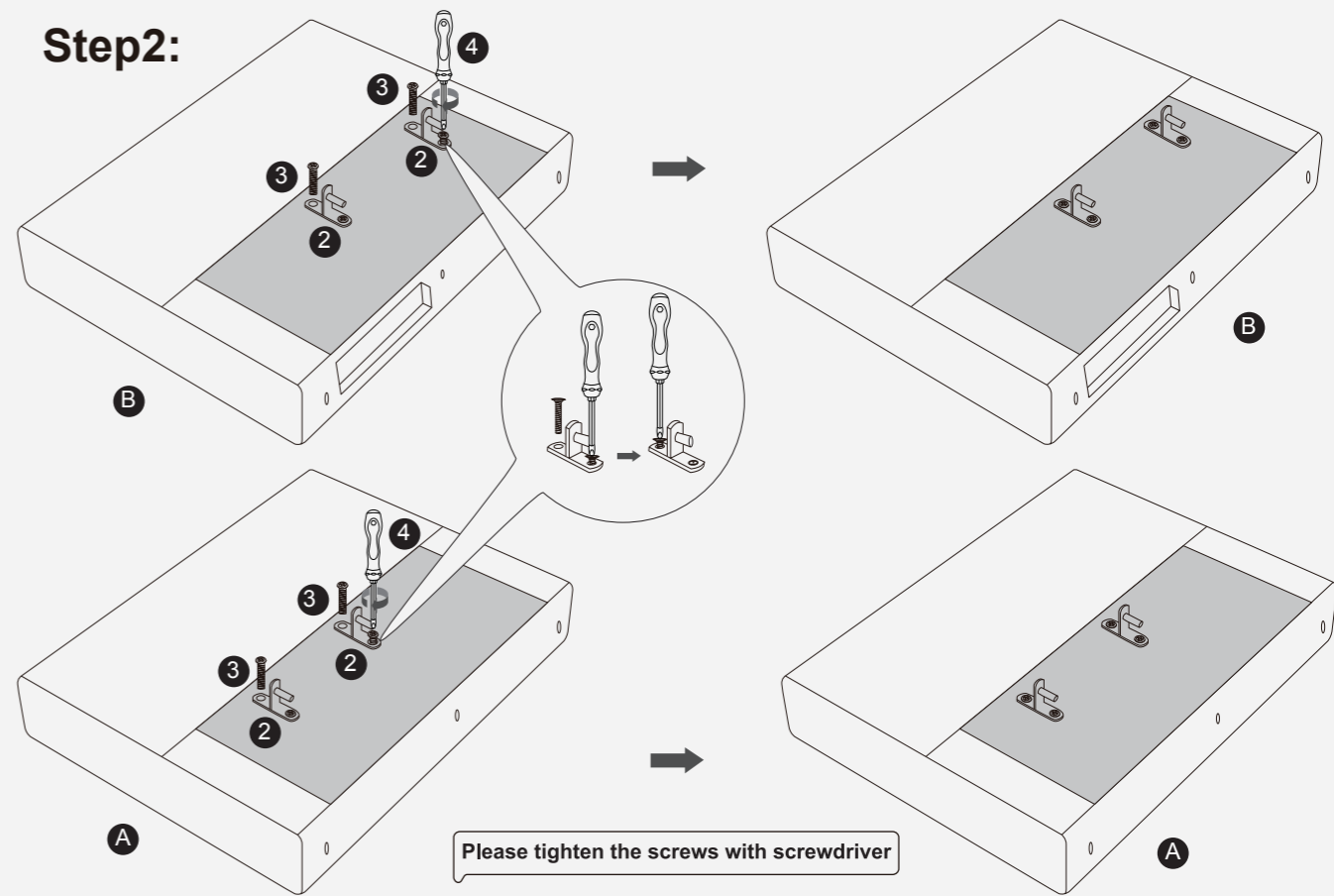
x1

# CARTON A ASSEMBLY

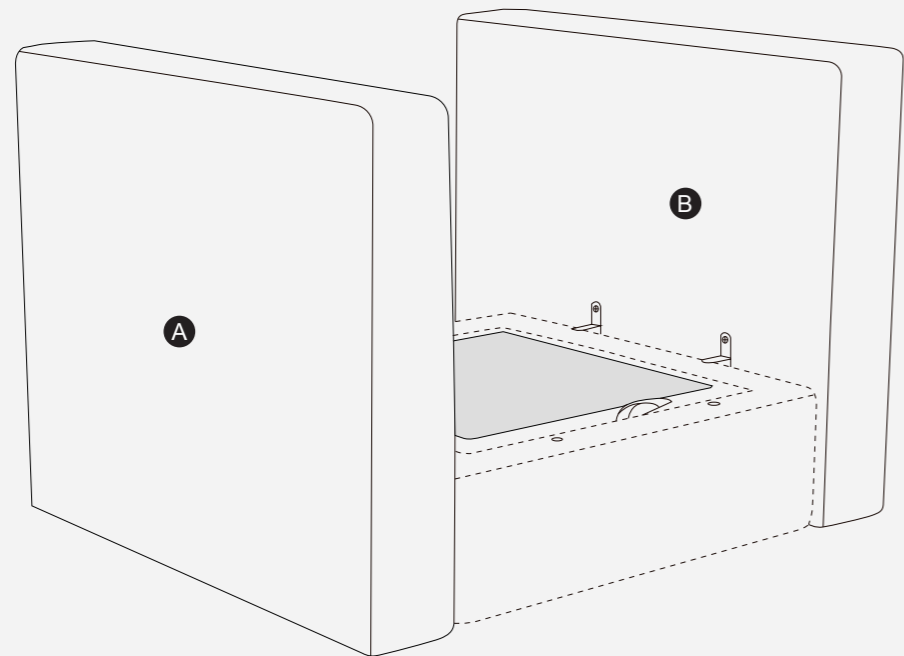
## Step1:

Left Arm & Right Arm are in carton A, Remove all parts from the carton A , Place them on protected surface or carpet.

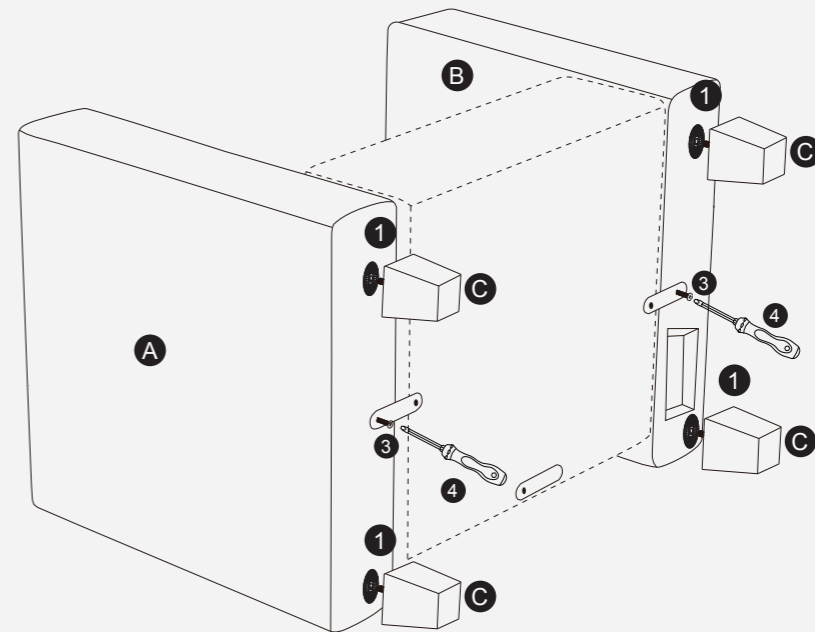
## Step2:



### Step3:

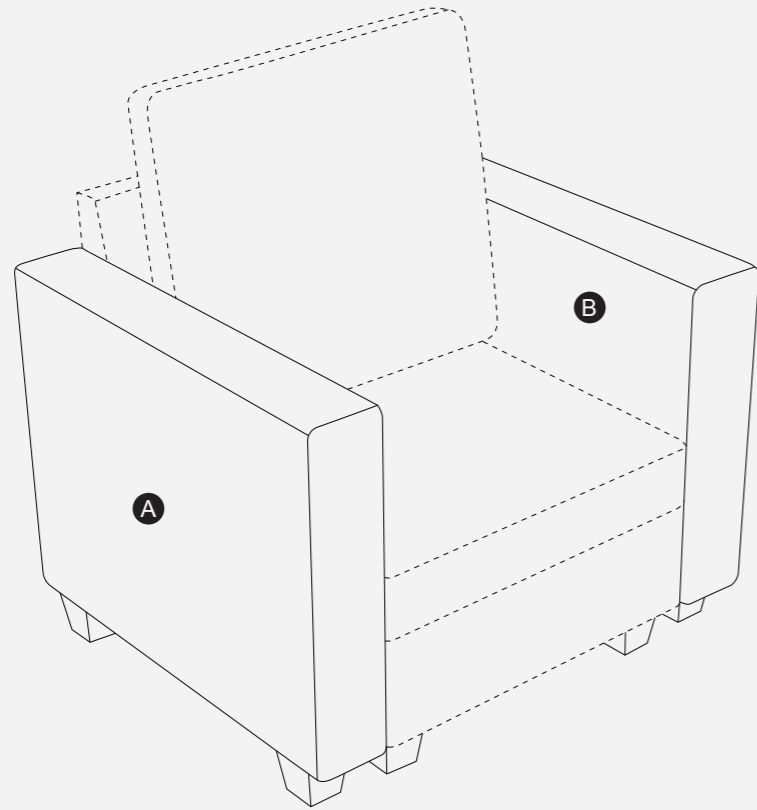


### Step4:



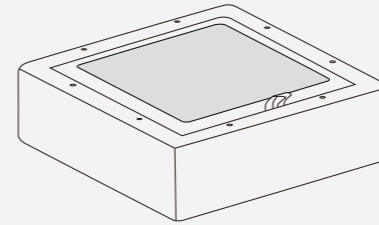
Please tighten the screws with screwdriver

**Step5:**



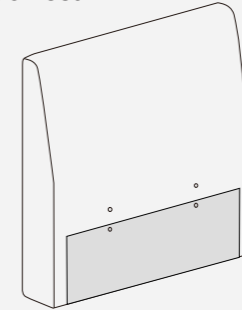
# CARTON B PART LIST

**D** Seat Frame



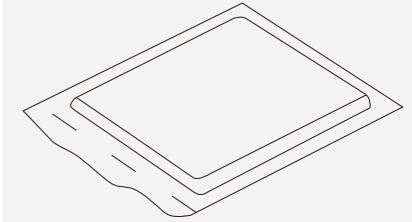
x1

**E** Backrest



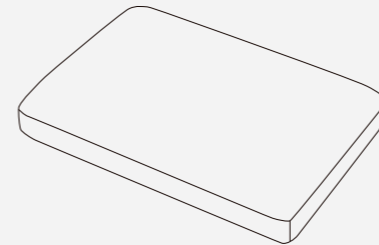
x1

**F** Seat Cushion



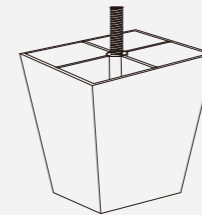
x1

**G** Pillow



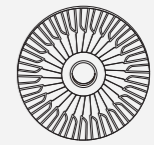
x1

**C** Plastic Leg



x5

**1** Plastic Washer



x5

2 Armrest / Backrest Fitting



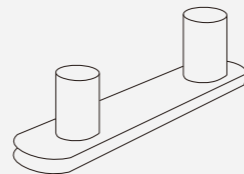
x2

3 Screw



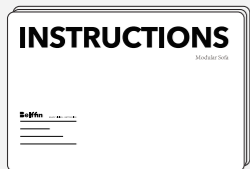
x6

5 Seat Fitting



x2

6 Assembly Instructions



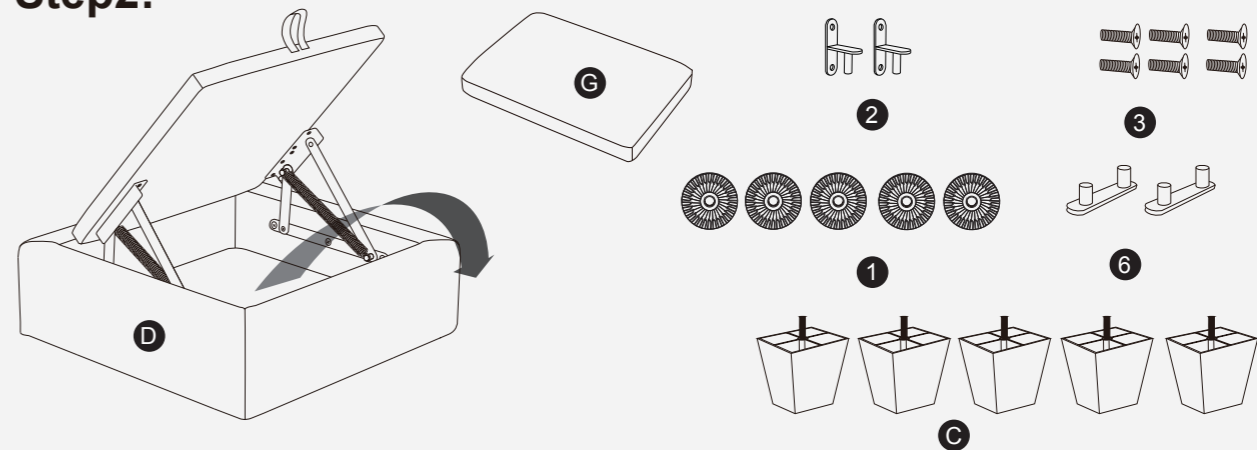
x1

# CARTON B ASSEMBLY

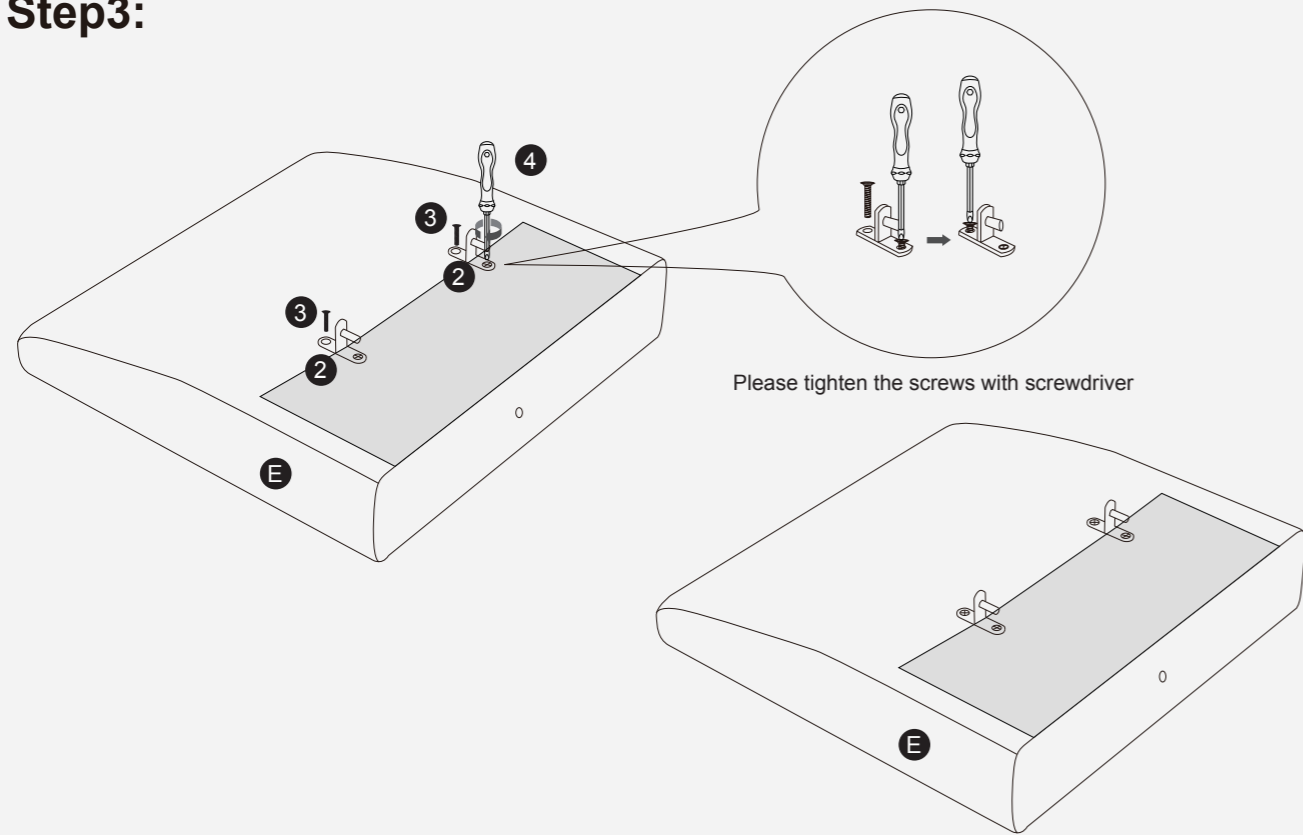
## Step1:

Seat frame and backrest are in carton B ,Remove all parts from the carton B, Place them on protected surface or carpet.

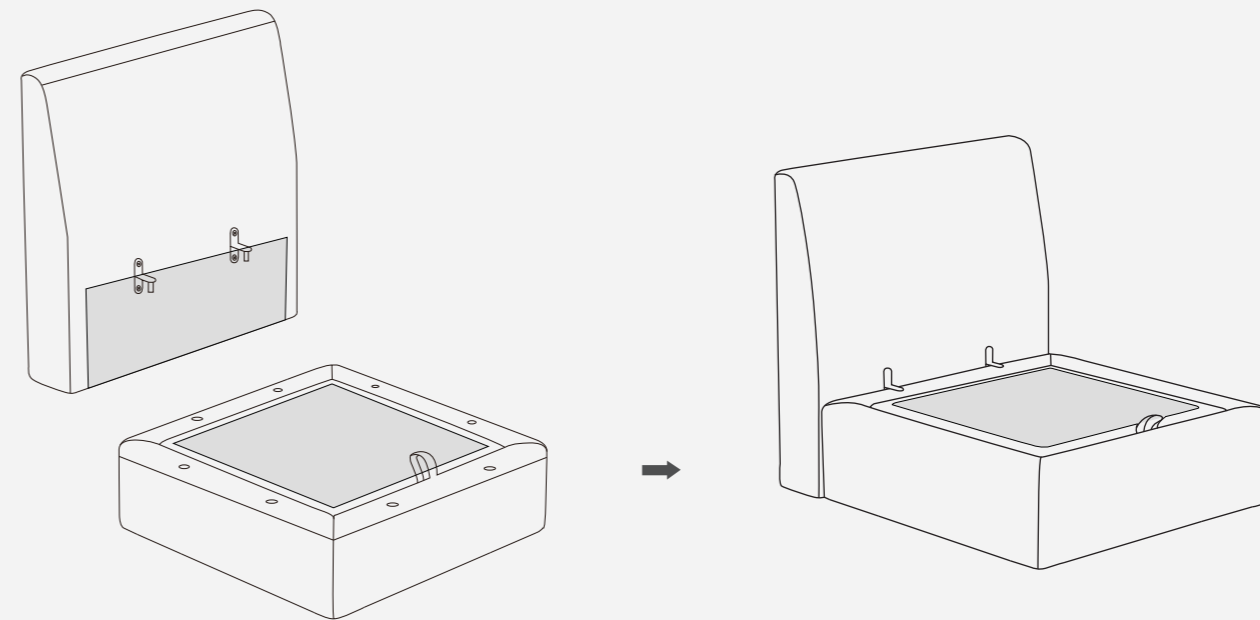
## Step2:



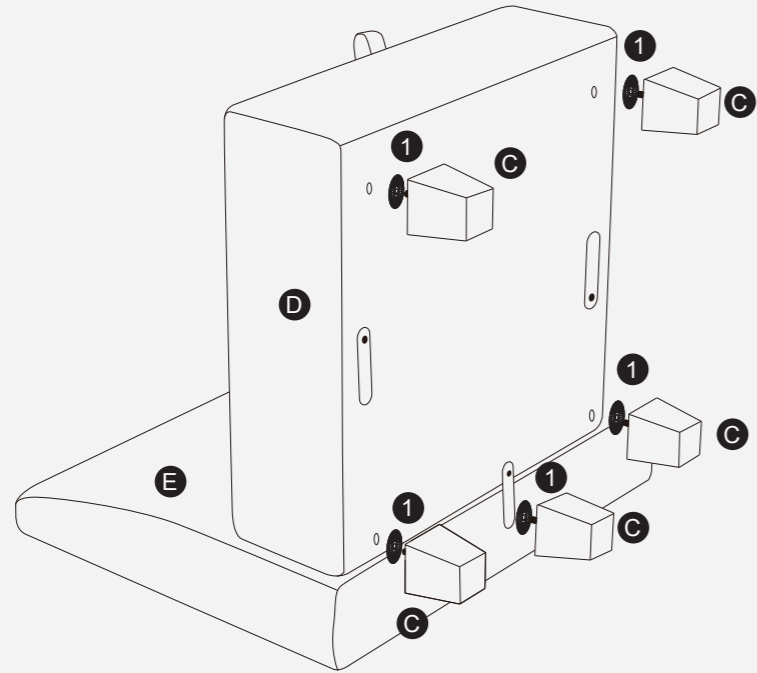
### Step3:



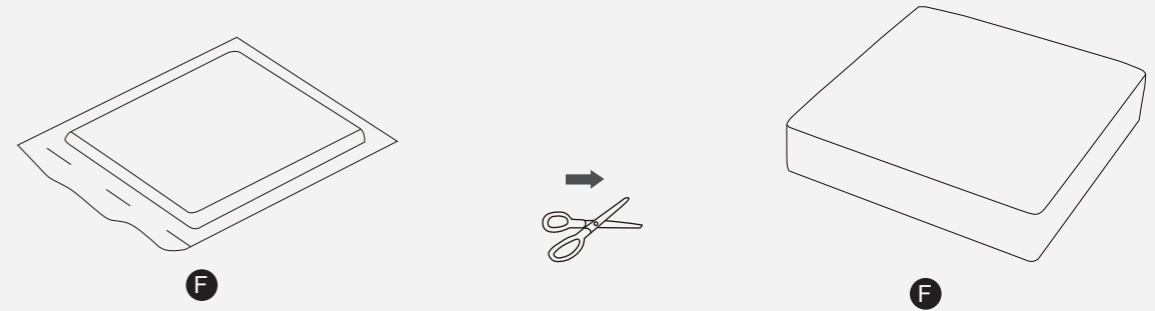
### Step4:



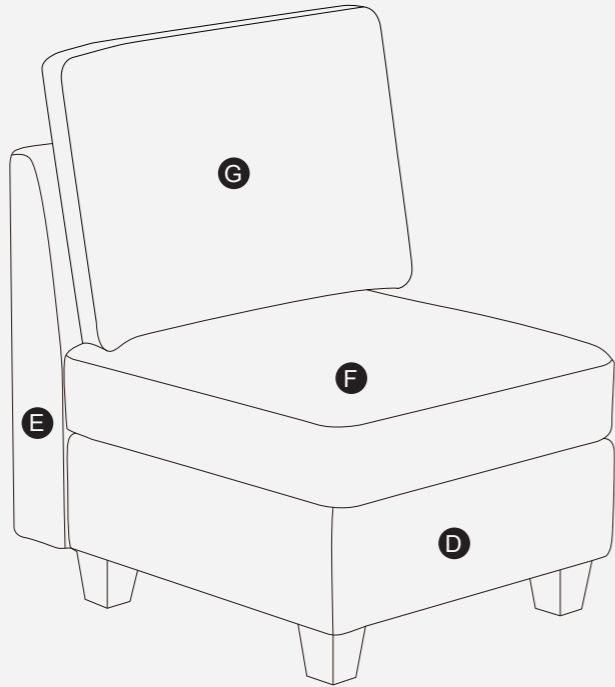
### Step5:



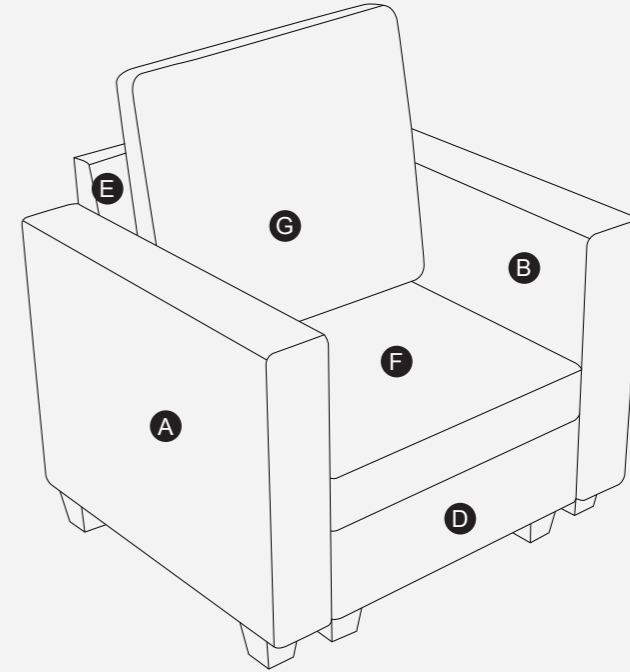
### Step6:



Step7:

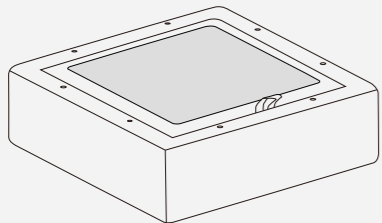


# CARTON A+B



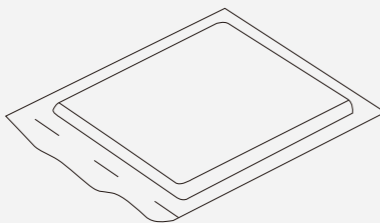
# CARTON C PART LIST

**D** Seat Frame



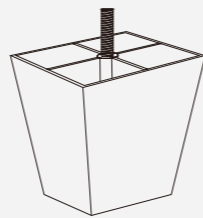
x1

**F** Seat Cushion



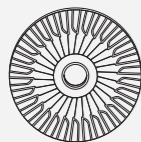
x1

**C** Plastic Leg



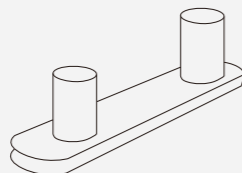
x4

**1** Plastic Washer



x4

**6** Seat Fitting



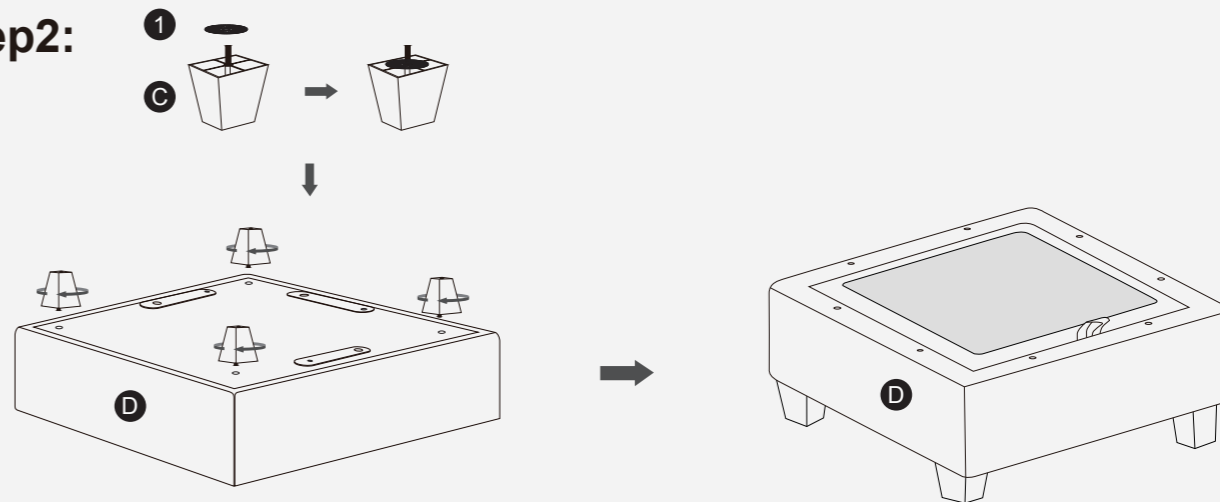
x2

# CARTON C ASSEMBLY

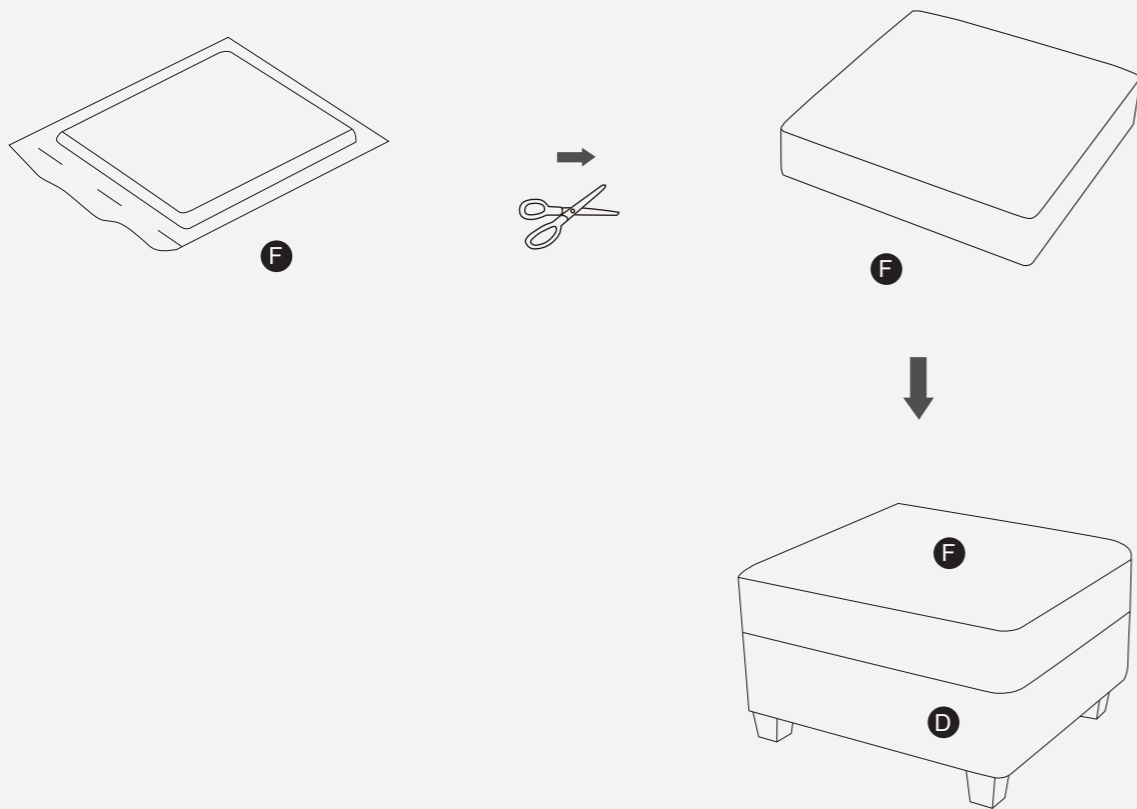
## Step1:

Seat frame is in carton C, Remove all parts from the carton C, Place them on protected surface or carpet.

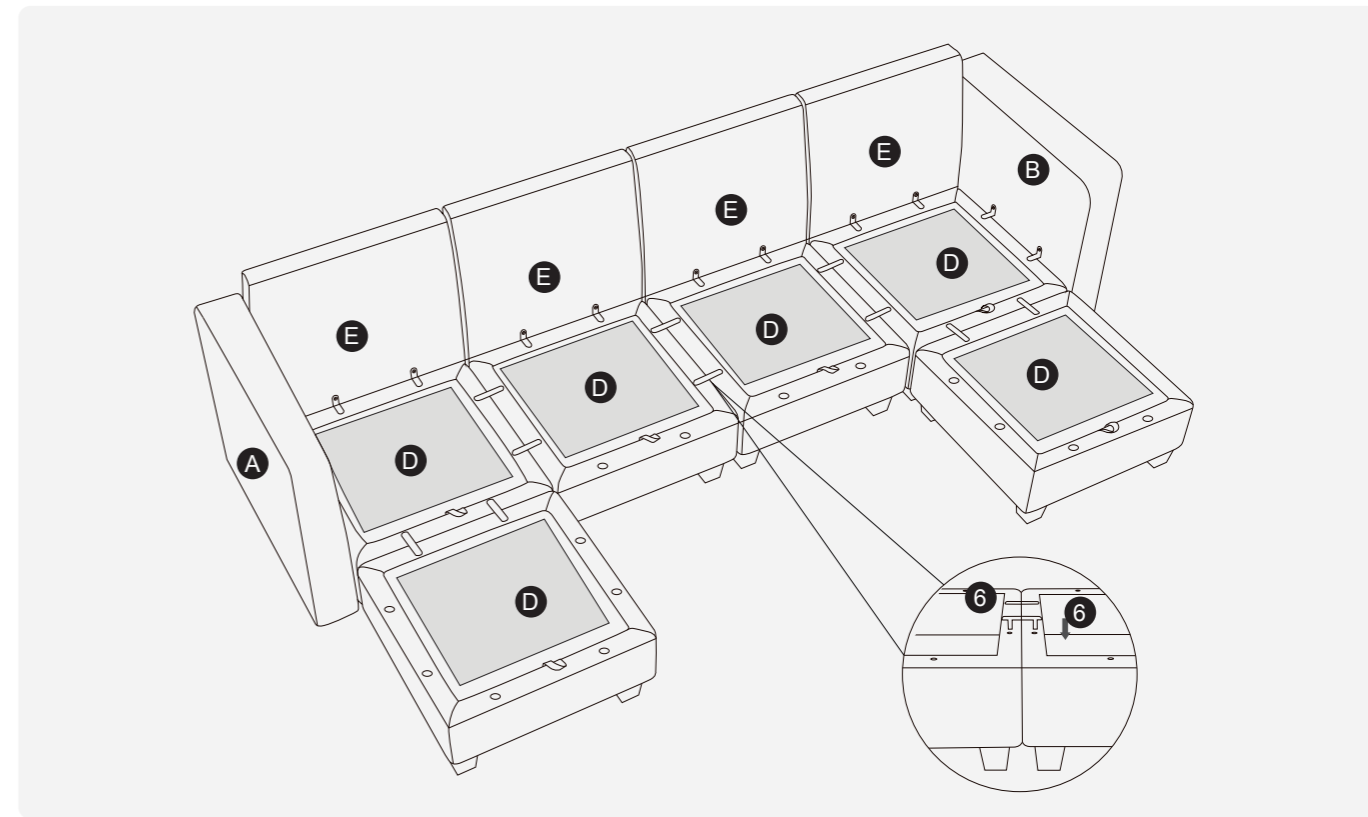
## Step2:



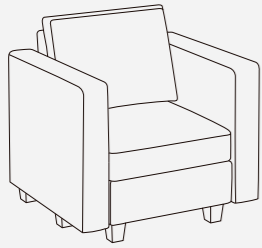
Step3:



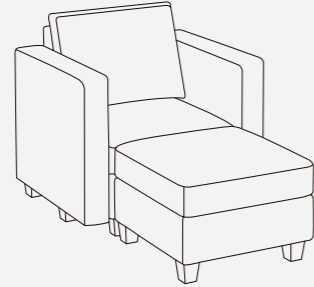
## Link Seat Frame and Seat Frame



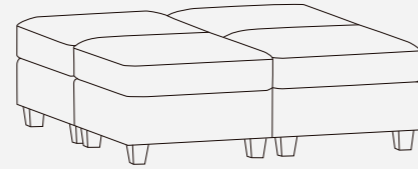
# FREE COMBINATION



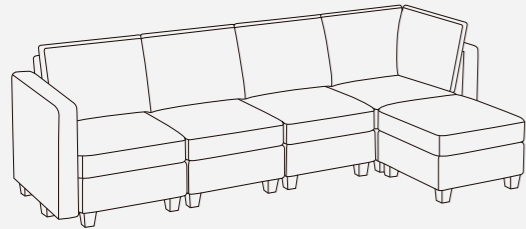
**Carton(A+B)**



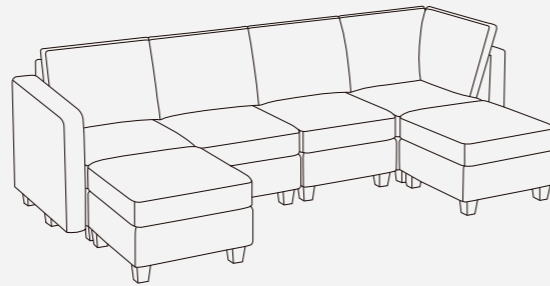
**Carton(A+B+C)**



**Carton(4C)**

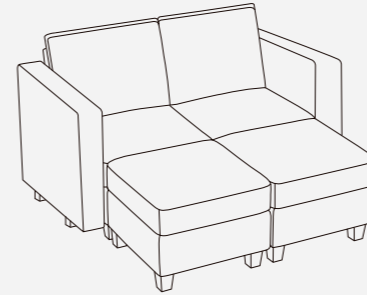


**Carton(A+4B+C)**

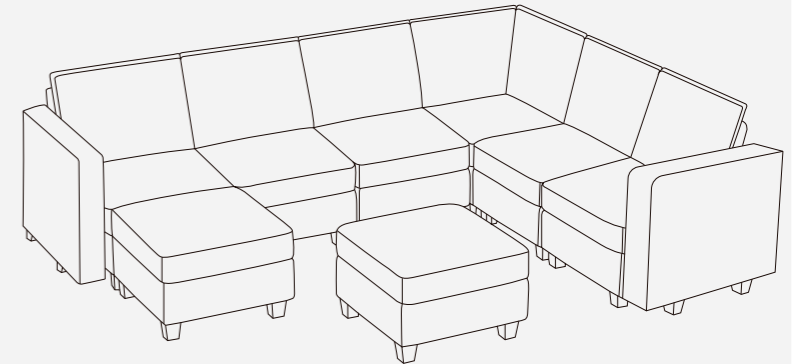


**Carton(A+4B+2C)**

# FREE COMBINATION



**Carton(4B)**



**Carton(A+7B+C)**