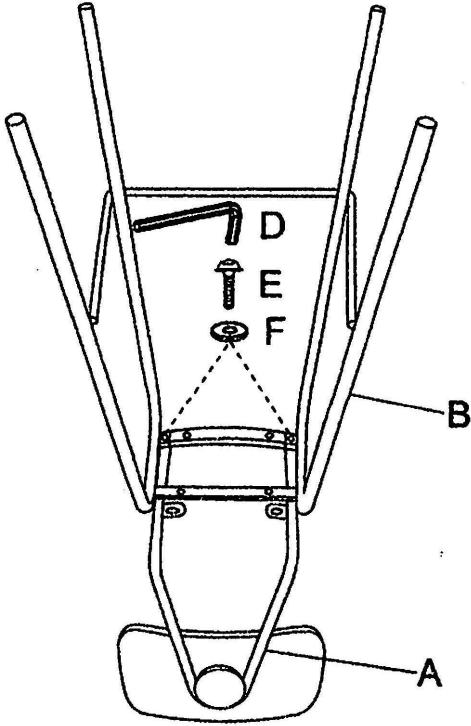
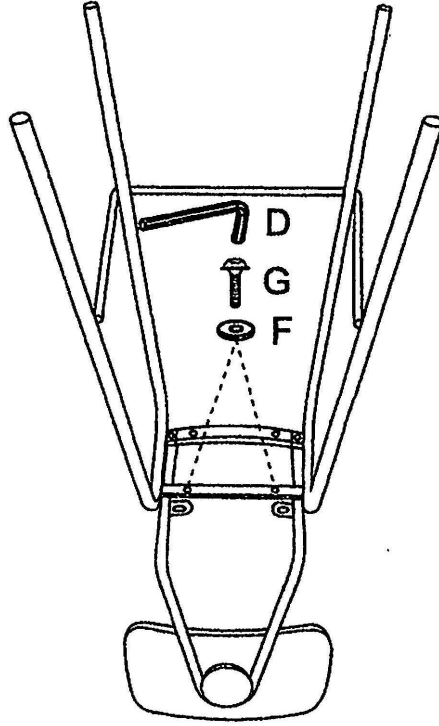


ASSEMBLY INSTRUCTION

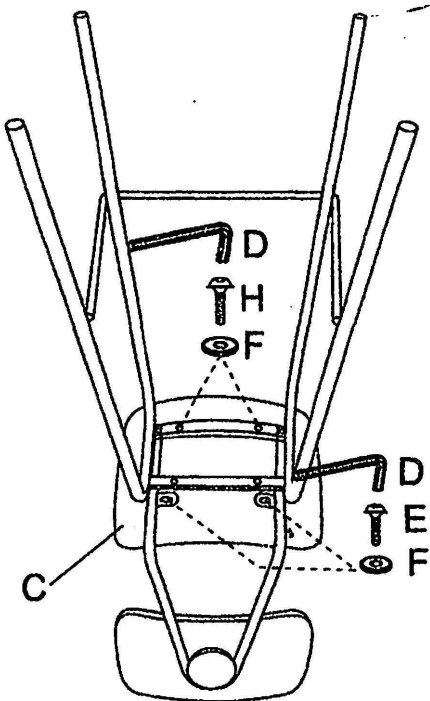
① 50%



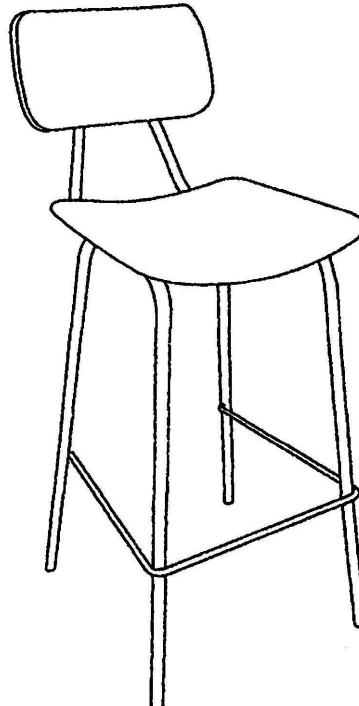
② 50%



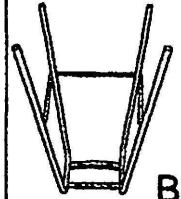
③ 50%



④ 100%



Ax1



Bx1



Cx1



Dx1



M6*16mm

Ex4



Fx8



M6*12mm

Gx2



M6*25mm