

CARE AND MAINTENANCE

Store outdoor furniture indoors or cover well when not in use.
 Remove wooden furniture from standing water. Dust regularly with small brush or vacuum
 Spills should be taken care of immediately before they harden or stain with a slightly dampened sponge.

NOTICE

- * Please make sure that you have all parts indicated before you begin assembly of this item
- * This item should be assembled on a soft surface to prevent scratching the finish during assembly
- * This item may require periodic tightening












Weight Capacity :550lbs

Warning : Do not stand on chair

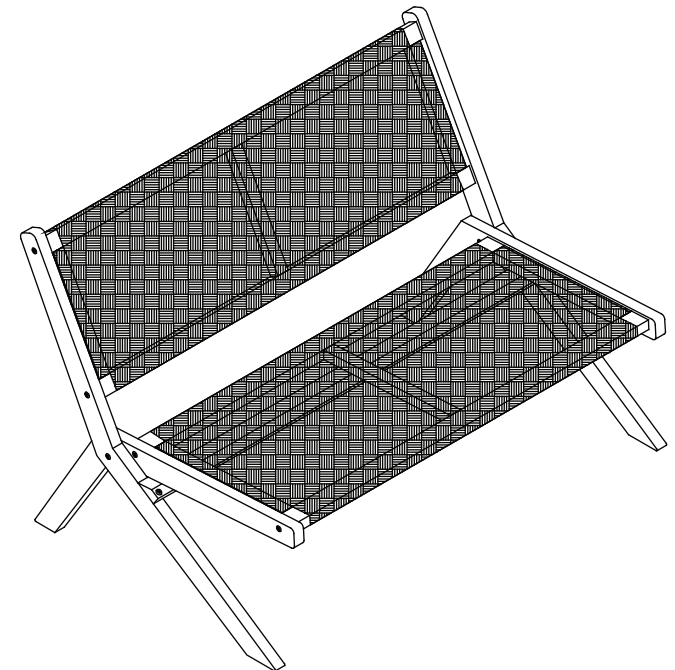
Warning : Do not over torque bolts / screws



Part List and Hardware List

PIECE	DESCRIPTION	PICTURE	QUANTITY
A	Frame Seat		1X
B	Frame back		1X
C	Frame leg 1		2X
D	Frame leg 2		2X
E	Cross Bar		1X
F	Screws	 M6x70	8X
G	Screws	 M6x45	2X
H	Bolts	 M6x45	2X
I	Washers		2X
J	Insert Nut	 M6x15	2X
K	Allen key	 LG4	2X

Product Dimensions: 45.5" W x 30.7" D x 29.9" H



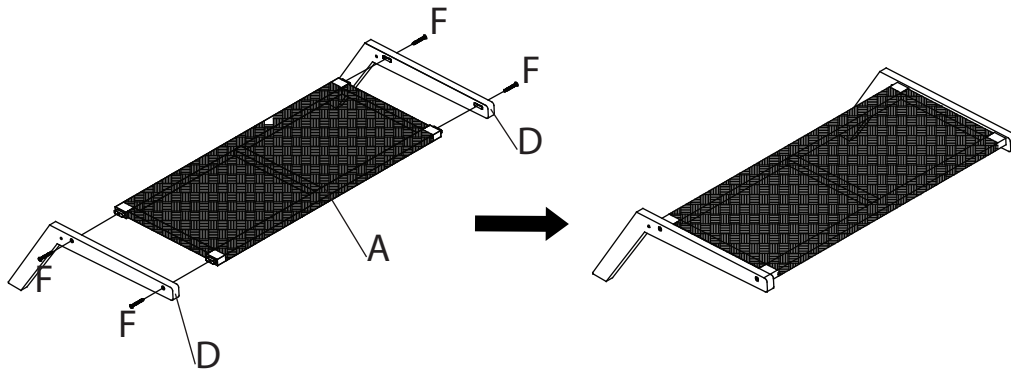
PREPARATION

Before beginning assembly of product, make sure all parts are present. Compare parts with package contents list and hardware contents list. If any part is missing or damaged, do not attempt to assemble the product.

Estimated Assembly Time: 10 minutes.

Tools Required for Assembly (included): Allen Key

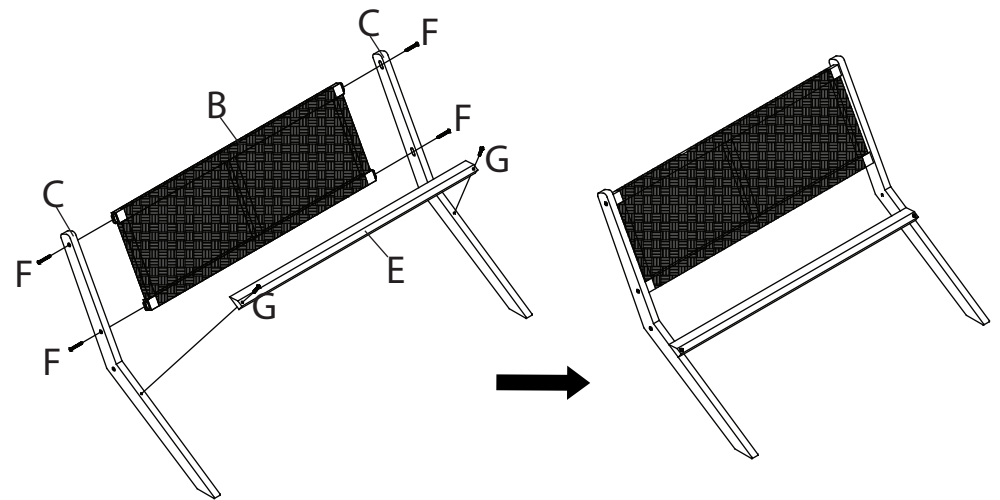
1



Step 1

Attach Frame leg 2 (D) to Frame Seat (A),use Screws (F) tighten with allen key (K).

2



Step 2

Attach Frame leg 1 (C) to Frame back (B),use Screws (F) tighten with allen key (K).

Attach Coss bar (E) to Frame leg 1 (C),use Screws (G) tighten with allen key (K).

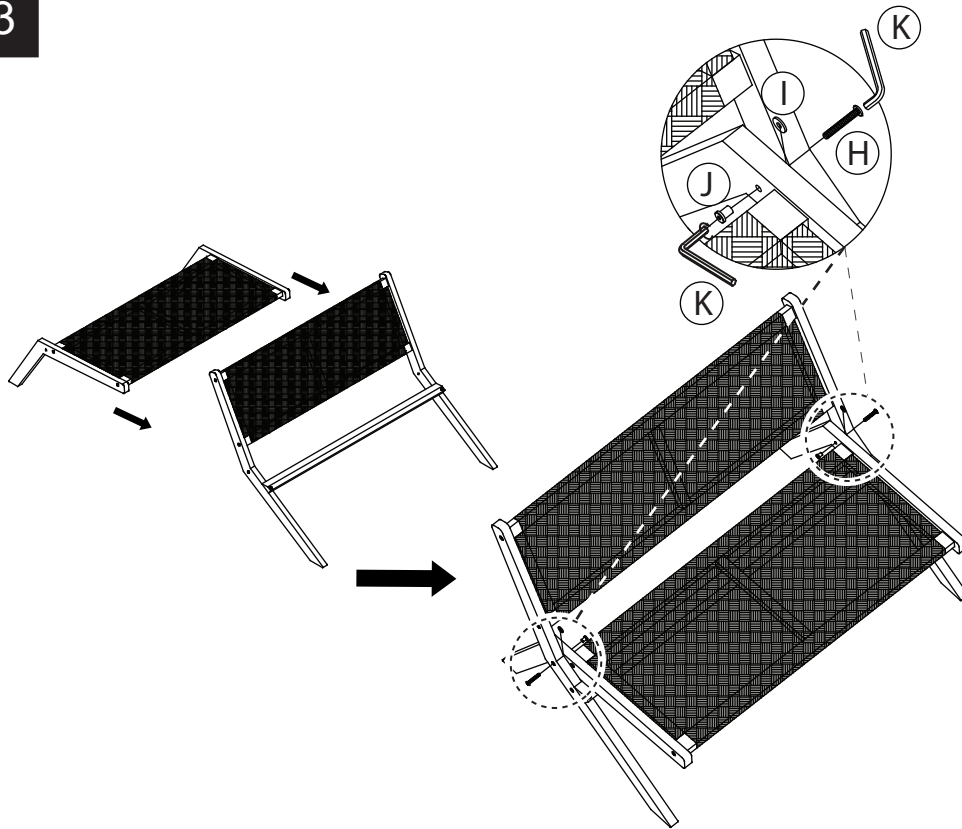
PREPARATION

Before beginning assembly of product, make sure all parts are present. Compare parts with package contents list and hardware contents list. If any part is missing or damaged, do not attempt to assemble the product.

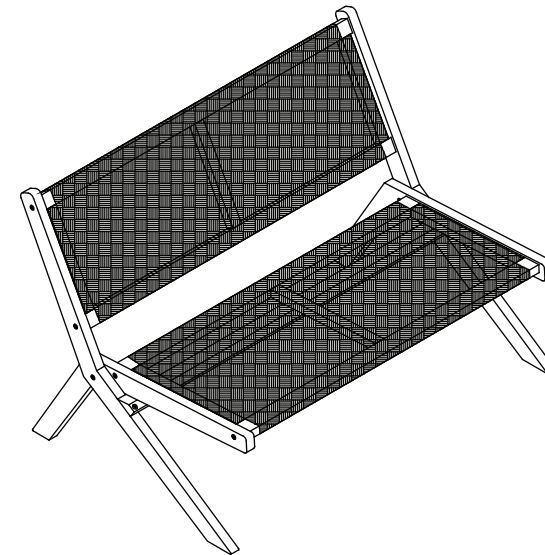
Estimated Assembly Time: 10 minutes.

Tools Required for Assembly (included): Allen Key

3



4



Step 3

Attach Frame leg 2 (D) to Frame leg 1 (c), use Bolts (H), Washers (I), Insert Nut (J) tighten with allen key (K).

Step 4

Caution: This Chair can only be used on a flat, level surface