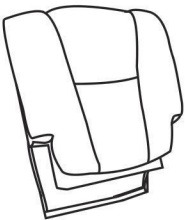


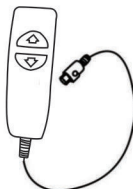

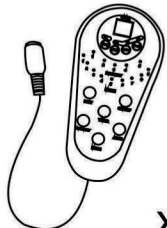
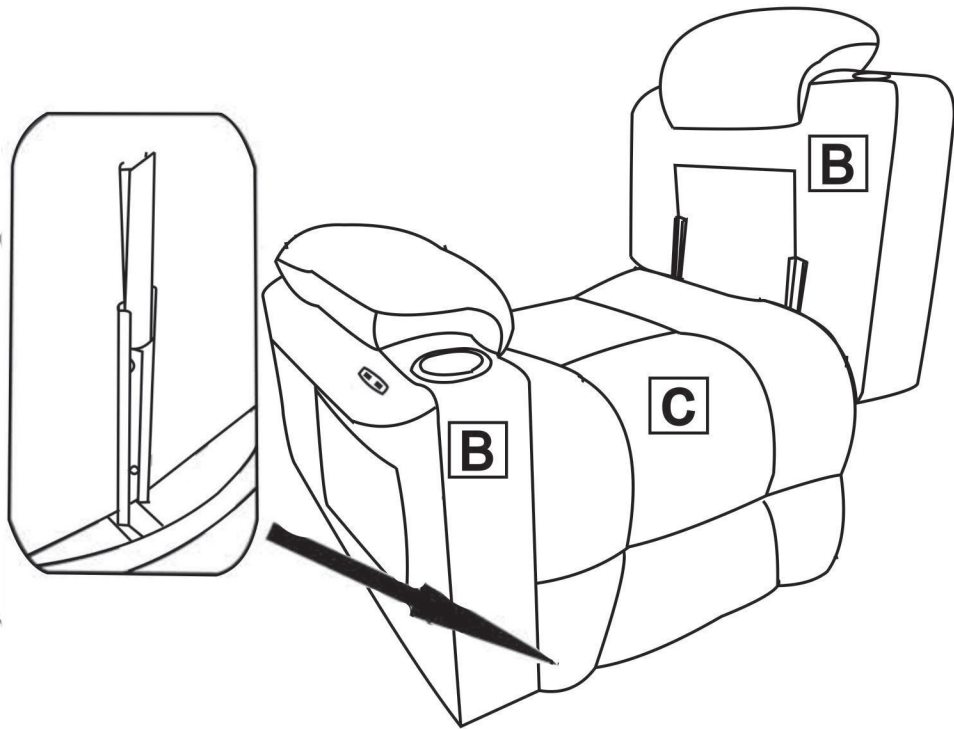
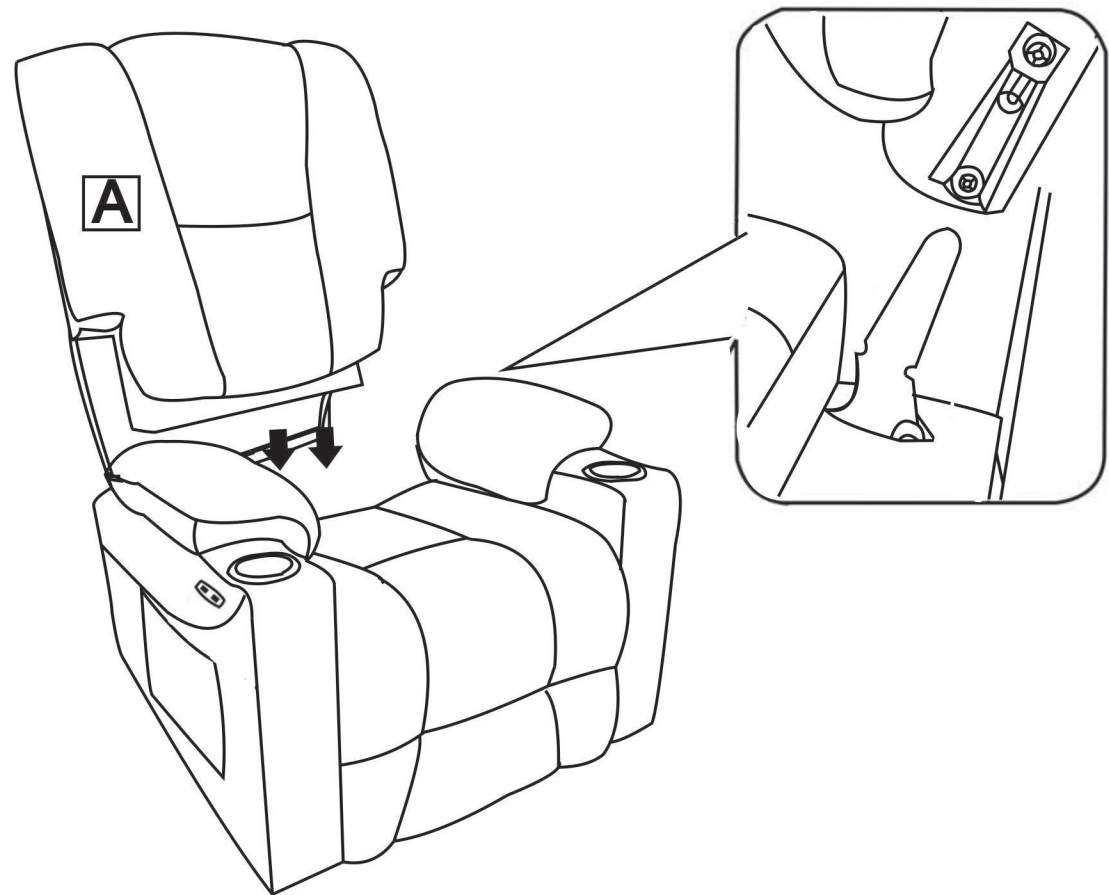


| | | | | | |
|---|--|---|--|--|--|
| <p>A</p>  | <p>B</p>  <p>X2</p> | <p>C</p>  | <p>D</p>  | <p>E</p>  | <p>F</p>  <p>x1</p> |
| <p>Backrest</p> | <p>Left and right armrest</p> | <p>Chair base</p> | <p>Lift control</p> | <p>Power source</p> | <p>Remote control</p> |

STEP1



STEP2

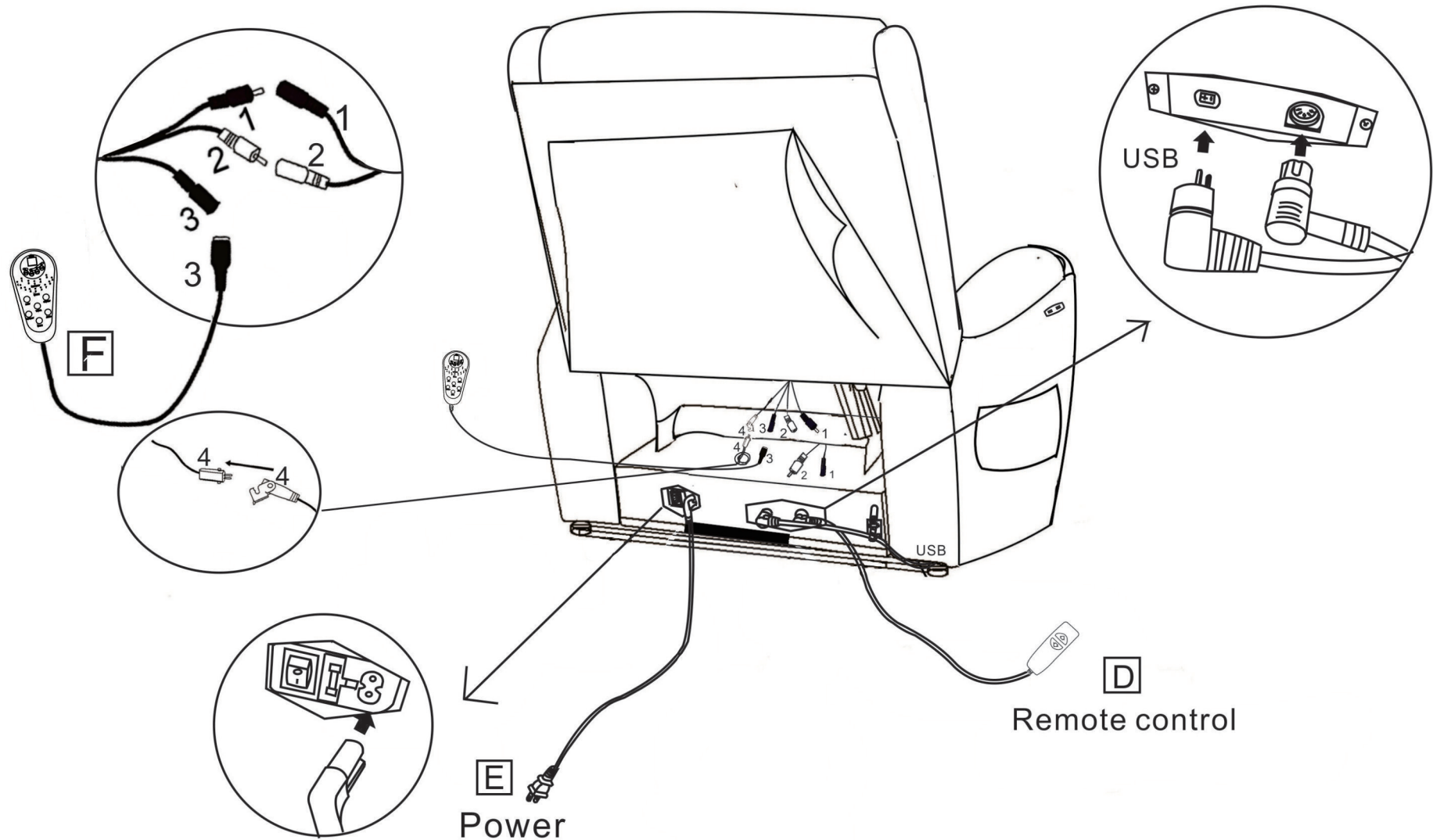


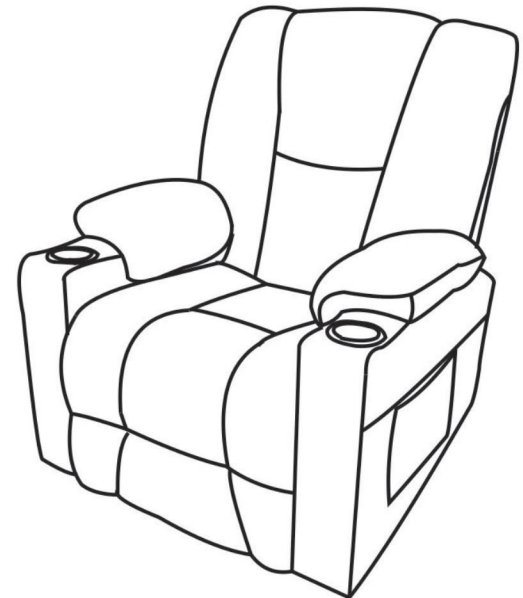
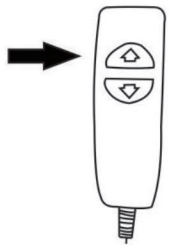
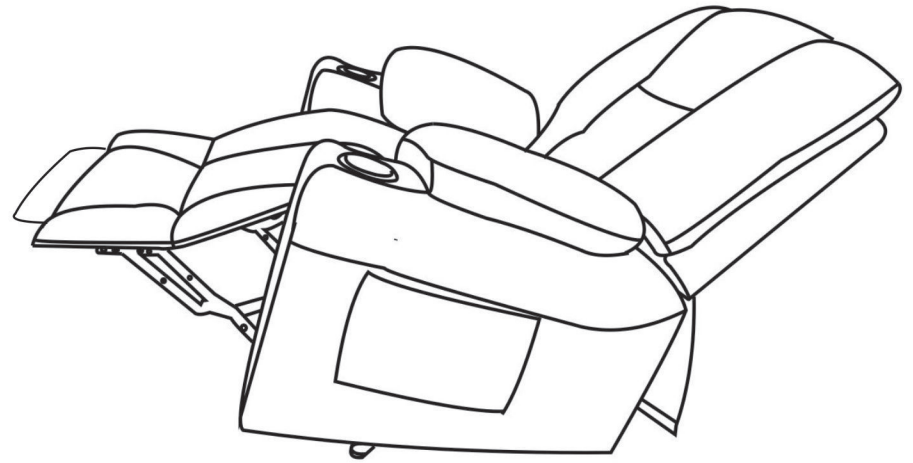
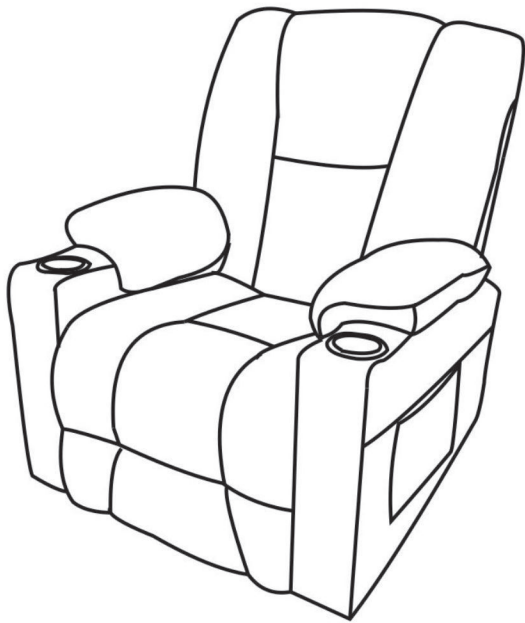
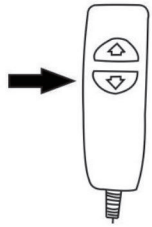
Power Recliner Assembly Instructions

STEP 3

No.1 and No.2 wires from the backrest and chair base with same color connect together.
No.4 wire from the back connects to the wire at the bottom of the sofa.

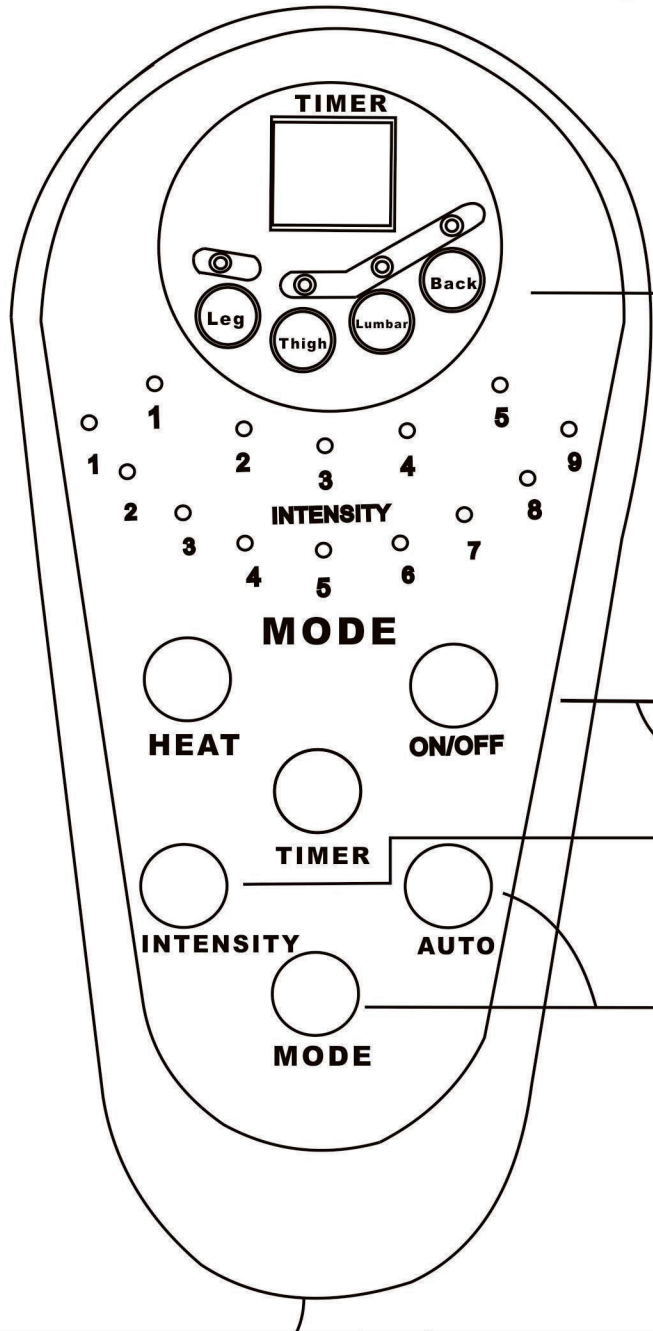
The USB socket in the bottom of the sofa armrest.





Massage Recliner Assembly Instruction

How to use remote control?



You can choose 1-4 massage parts(back,lumbar,thighs,legs)to enjoy

How to Only Keep The Heat Work: Turn on the massage and heat firstly, and then press one of the 4 buttons(back, lumbar, thigh, leg) twice, then the massage will be turned off.

ON/OFF:Turn on/off remote control

HEAT:Turn on/off heat function for lumbar part only

INTENSITY:Control massage funcion from low to high

MODE:Choose one massage mode you like(pulse,press,wave,auto,normal)