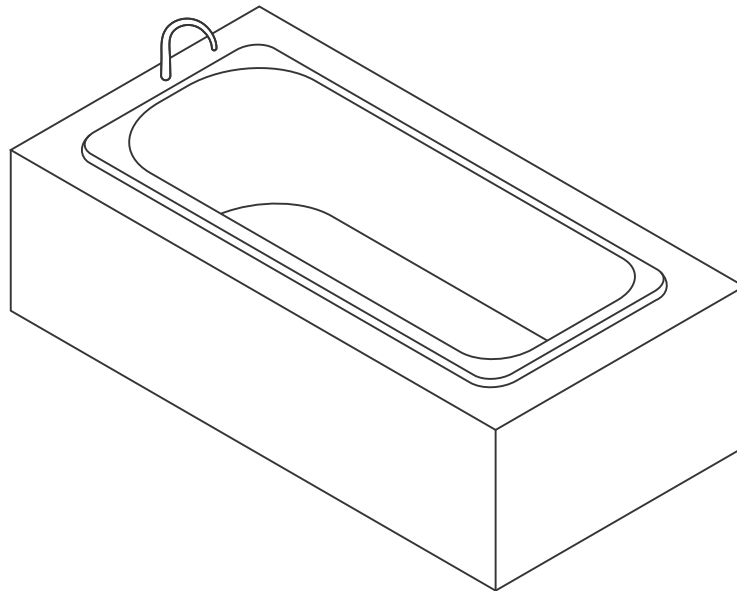


## ACRYLIC DROP IN BATHTUB

# OWNER'S MANUAL & INSTALLATION GUIDE



### **READ ENTIRE INSTALLATION GUIDE PRIOR TO INSTALLING THE BATHTUB**

This bathtub should only be installed by a certified plumber  
Two people are required to lift the bathtub

For installation and assembly videos, please visit our website  
[www.streamlinebath.com](http://www.streamlinebath.com)

OR

our YouTube page by searching for  
"Streamline Bath"

OR

following the below link to our channel:

<https://www.youtube.com/channel/UCII7TGMbkwoGSqzo-pGfaJw>

**CAUTION!**



**TWO PERSON  
LIFT REQUIRED**

# TABLE OF CONTENTS

<b>1.</b>	<b>Prior To Installation</b>	<b>3</b>
<b>2.</b>	<b>Required Tools</b>	<b>5</b>
<b>3.</b>	<b>Required Materials</b>	<b>6</b>
<b>4.</b>	<b>What's In The Box</b>	<b>7</b>
<b>5.</b>	<b>Installation Type</b>	<b>8</b>
<b>6.</b>	<b>Framing &amp; Support</b>	<b>11</b>
<b>7.</b>	<b>Bathtub Installation Instructions</b>	<b>12</b>
<b>8.</b>	<b>Drain Installation Instructions</b>	<b>28</b>
<b>9.</b>	<b>Warranty</b>	<b>32</b>
<b>10.</b>	<b>Use &amp; Care Guide</b>	<b>34</b>

# 1. Prior To Installation

To Our Valued Customers,

We wanted to take a moment to express our sincere gratitude for choosing our bathtub for your bathroom. Your recent purchase is greatly appreciated, and we are delighted to have you as our valued customer.

At Streamline, we strive to provide the highest quality products, and we are confident that our bathtub will exceed your expectations in terms of both functionality and style. We have put in great effort to ensure that our bathtub enhances your bathing experience while adding an elegant touch to your bathroom.

We would like to assure you that our dedicated team is always here to assist you with any questions or concerns you may have regarding the installation or maintenance of your new bathtub. Your satisfaction is our top priority, and we are committed to delivering excellent customer service throughout your journey with us.

Once again, we genuinely appreciate your trust in our brand and your decision to choose our bathtub. We hope it brings you years of enjoyment and satisfaction. If there is anything we can do to further assist you, please do not hesitate to reach out to us.

Thank you for being a valued customer.

Warm regards,

The Streamline Team

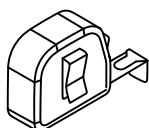
- These products must **ONLY** be installed by a fully insured and licensed plumber.
- Installation of the product by anyone other than a fully insured and licensed plumber shall **void** the limited warranty.
- Make sure to check the entire bathtub for any concealed damage before installation. If there is damage, **DO NOT INSTALL THE PRODUCT!** Contact Streamline customer service immediately. Streamline does not assume responsibility for damage that occurs during transit. The warranty does not cover damage or defects that could have been identified before installation and were not reported until after installation has been completed.
- Building and plumbing codes may vary from state to state.
- Streamline is **not responsible** for any local code compliance for this product.
- The floor under the bathtub must support the combined weight of the tub, water, and user.
- Streamline shall **not** be held liable for any and all incidental damages or floods caused due to the use of this product.
- Measurements may deviate by  $\pm 1/4$ " from the original specifications.
- Please be advised that the warranty does **not** cover product failures resulting from improper installation.
- Please note that any damage, including chips and scratches, that occurs at the job site is excluded from the warranty coverage.
- Properly installing waste and overflow components is the sole **responsibility** of the installer. Streamline does **not** provide warranty coverage for leaks associated with improper waste and overflow installation.
- Streamline is **not** liable for defects or issues that arise or could have been prevented by inspecting and testing all plumbing connections for leaks before completing the installation.
- Streamline shall **not** be held liable for any and all fees stemming from the cost of installation, re-installation, removal, subsequent damage, or transportation in the case of a product defect. Streamline shall **not** be held responsible for defects or damage that could have been discovered, repaired, or avoided by inspection and testing before installation. The tub **must** be checked upon delivery.
- Before finalizing installation, **ensure** all plumbing connections are tested, checked for leaks, and undergo an overflow water test. Streamline will **not** be held responsible for defects or issues that arise from neglecting this crucial step.
- **Avoid** lifting the bathtub by the plumbing. Always use the bathtub deck for lifting purposes.
- When plumbing fittings such as faucets are to be mounted on the deck of the bathtub, be certain that there is ample room for mounting before setting the unit in place.

- Please **refrain** from overfilling the bathtub. Filling it **beyond**  $\frac{2}{3}$  capacity can result in overflow and create slippery conditions when entering the tub.
- **Ensure** that the floor is level and in good condition. An uneven surface may hinder the tub's correct installation.
- **Clear** any debris or trash from the installation area.
- **Do not** place the bathtub directly on surfaces prone to dampness or moisture.

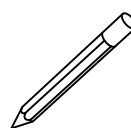
## 2. Required Tools



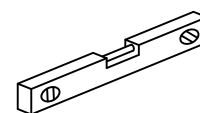
Silicone



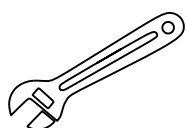
Measuring Tape



Pencil



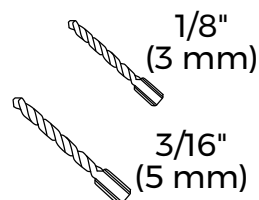
Level Bar



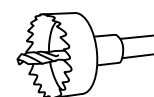
Adjustable Key



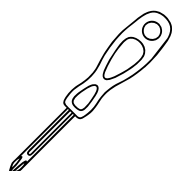
Electric Drill



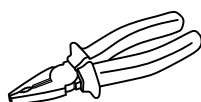
Drill Bits



Hole Saw



Screwdriver

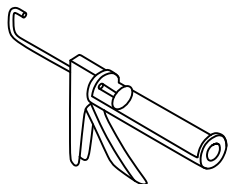


Pliers



Safety Glasses

### 3. Required Materials



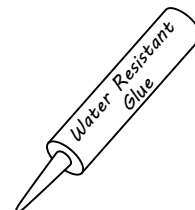
Caulk Gun



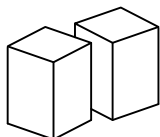
No 8 x 1 1/4"  
Screws



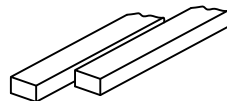
Wood Wedges



Water-Resistant  
Glue

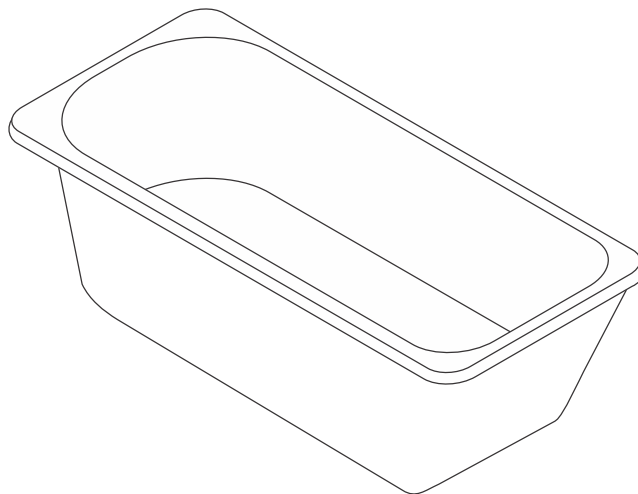


Wood Blocks

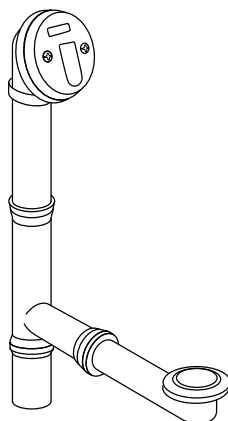


Wood Stud  
(2cm x 2.5cm)

## 4. What's In The Box

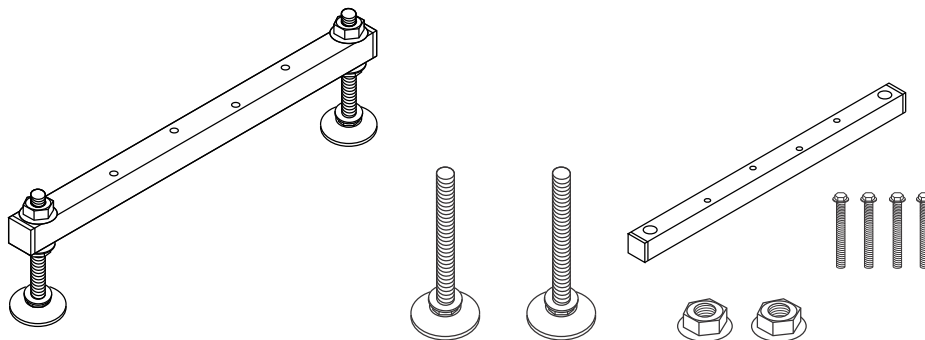


**Bathtub**



**Drain**

Drain comes included in a separate box



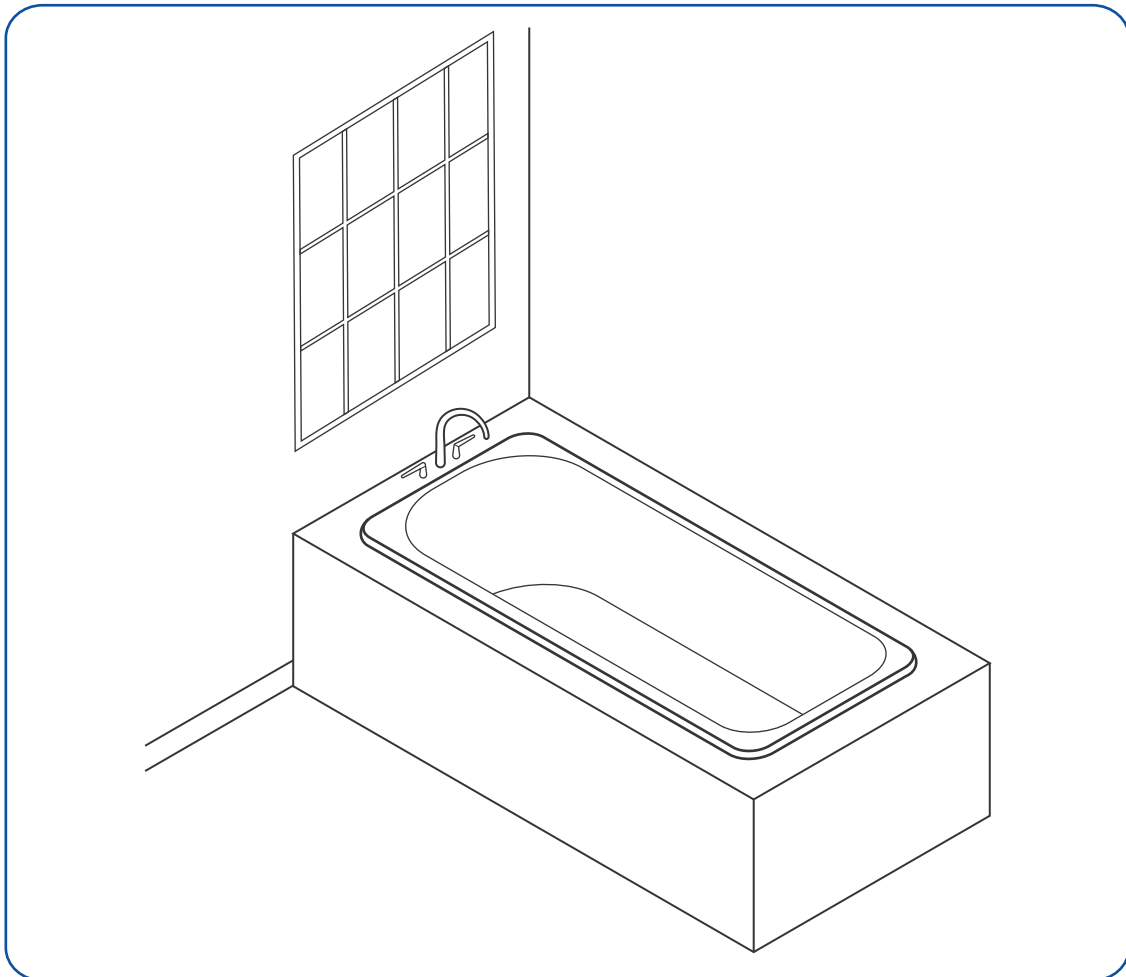
**Leveling Foot Hardware**

## 5. Installation Type

There are several installation options available for drop-in bathtubs. It's essential to seek guidance from a certified plumber **BEFORE** beginning deck and framing construction and any pre-plumbing work. The installation type selection will determine the specific plumbing and framing prerequisites. Below are the three most common installation methods.

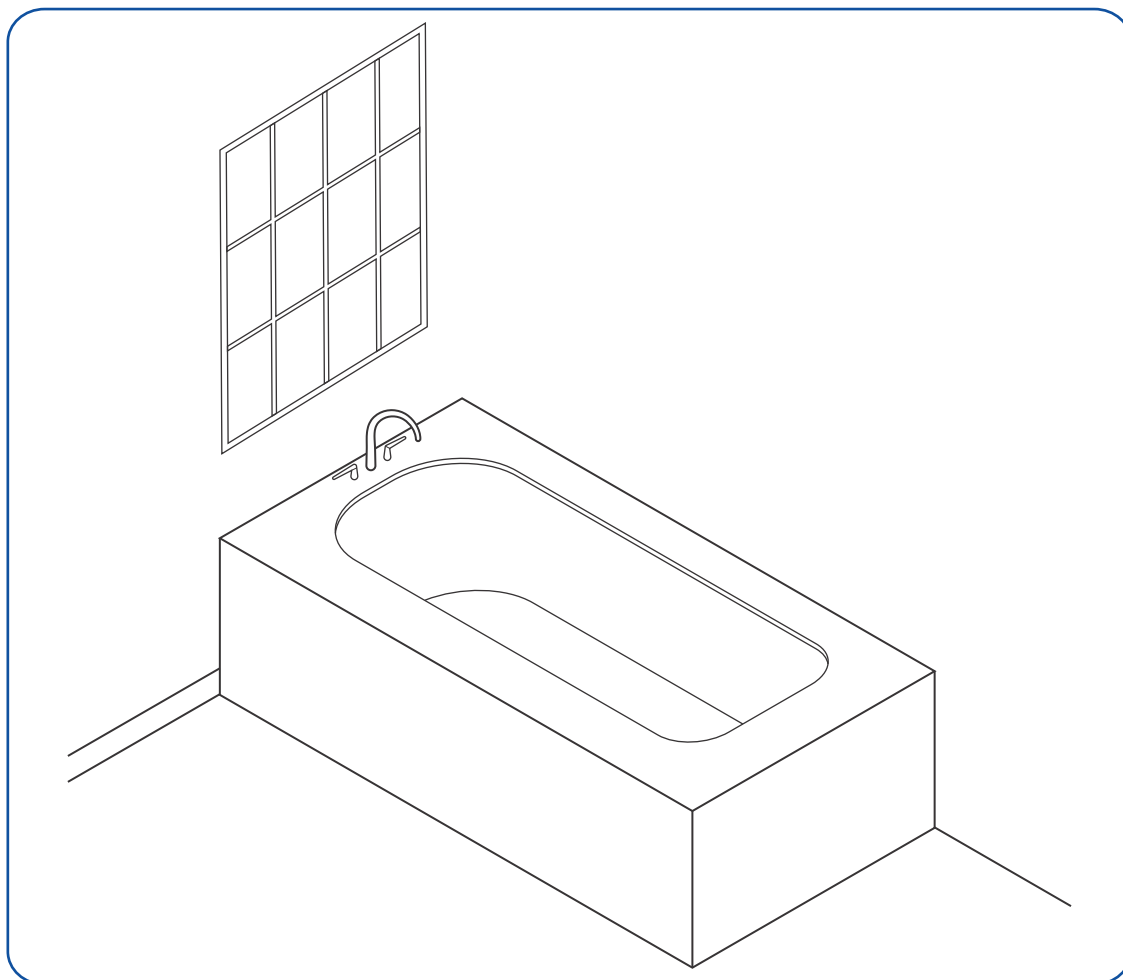
### **Drop-In Installation**

In a drop-in installation, the bathtub is designed to "drop in" or sit within a framed or decked enclosure. The rim of the bathtub is visible above the deck or platform.



### **Undermount Installation**

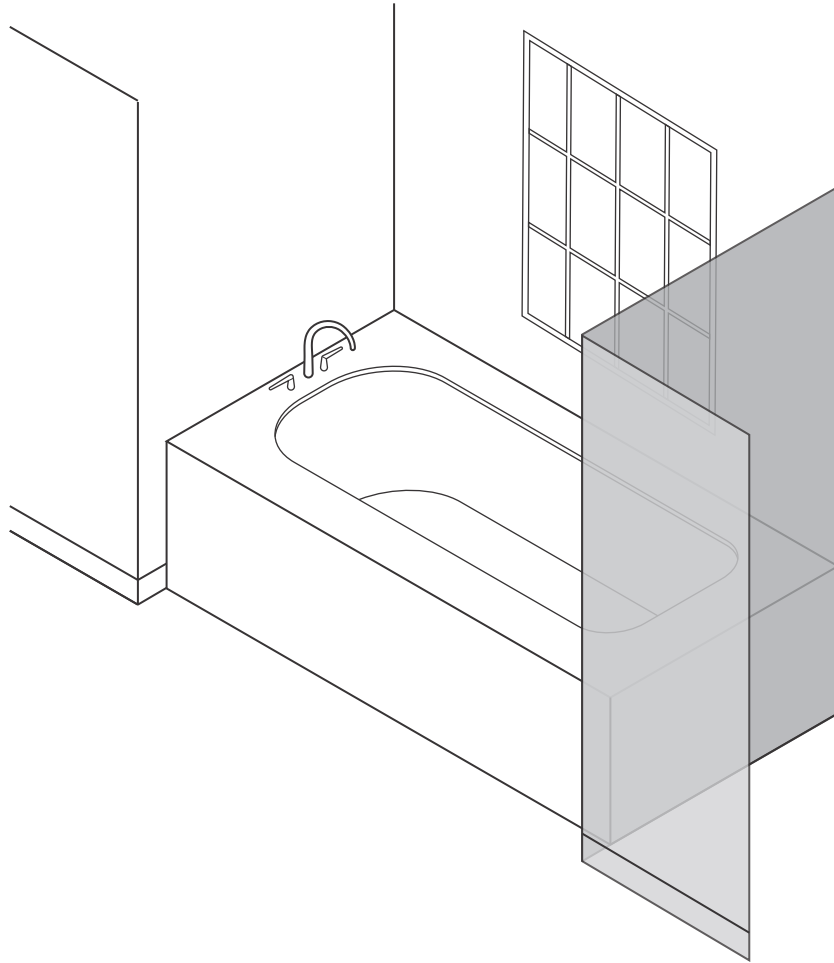
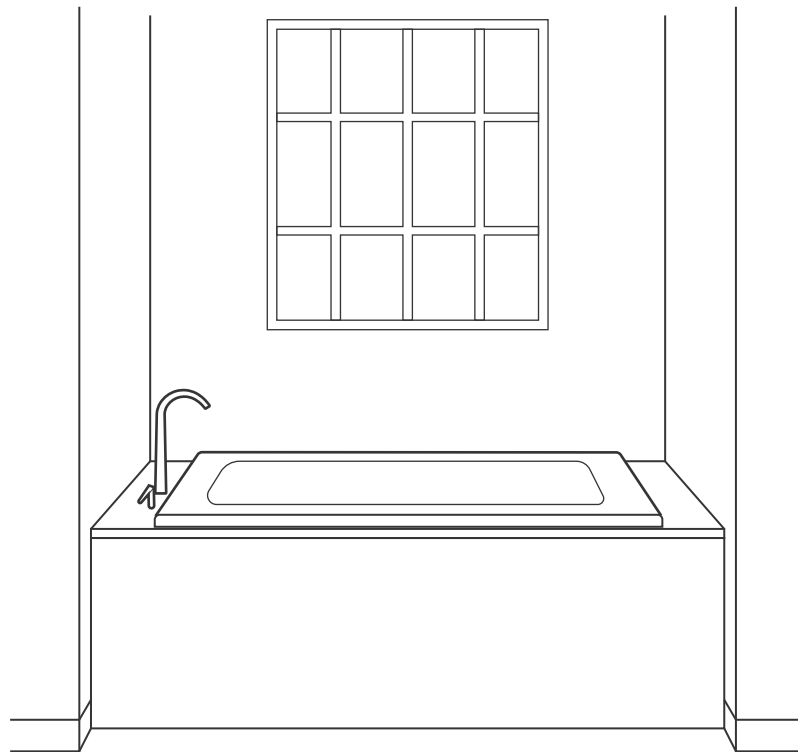
The bathtub is integrated into the cut-out of the deck constructed around it. This cut-out is then covered with tile or another material, concealing the bathtub's rim. As a result, the bathtub's rim is **NOT** visible or exposed, giving the bathroom design a sleek and seamless look.



### **Alcove Installation**

The drop-in bathtub is placed within a three-wall enclosure in an alcove installation. This is a common choice for bathrooms with limited space.

The bathtub is typically framed with a deck or platform, and the deck is tiled or finished to match the bathroom décor.

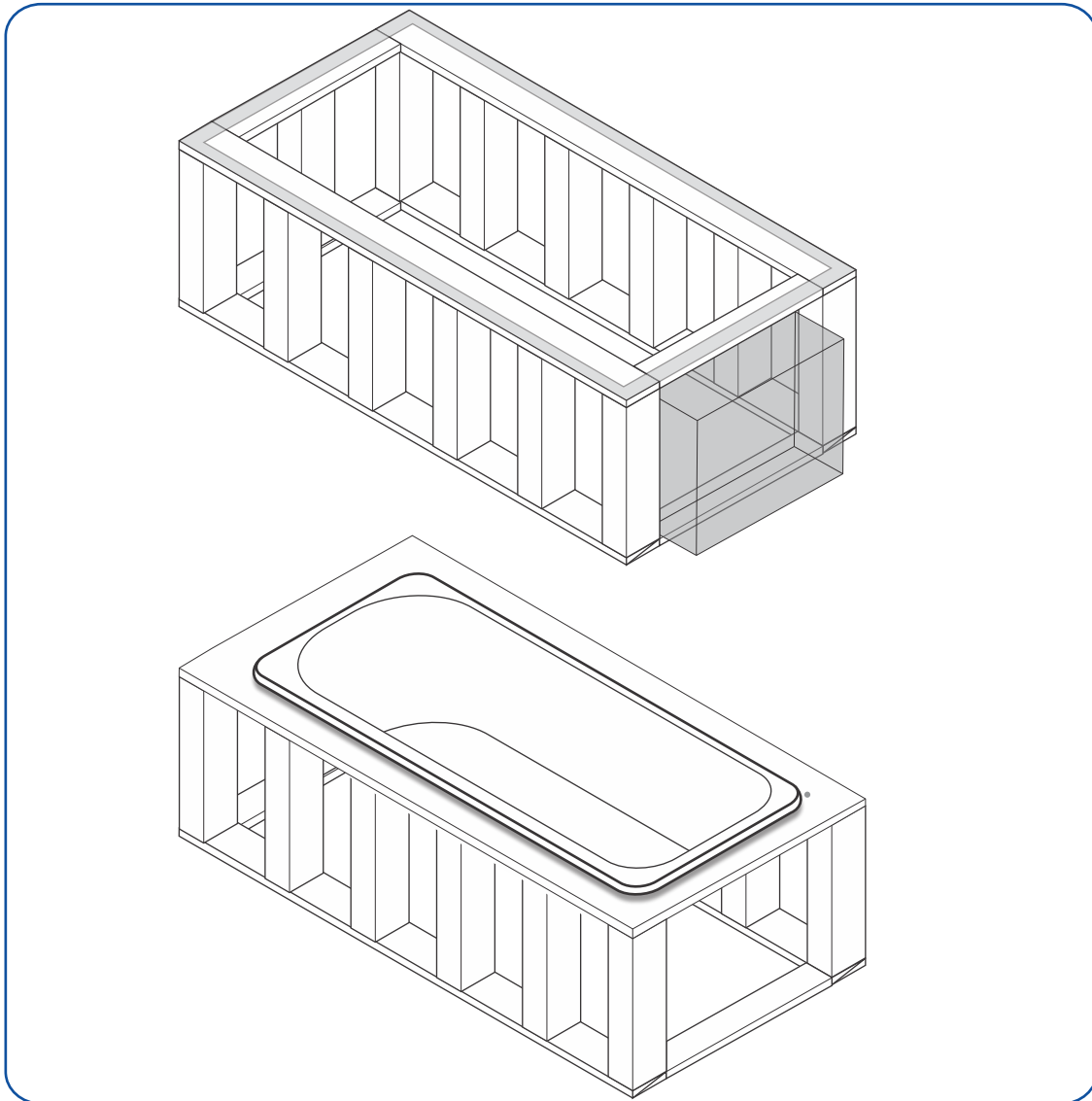
**Option A****Option B**

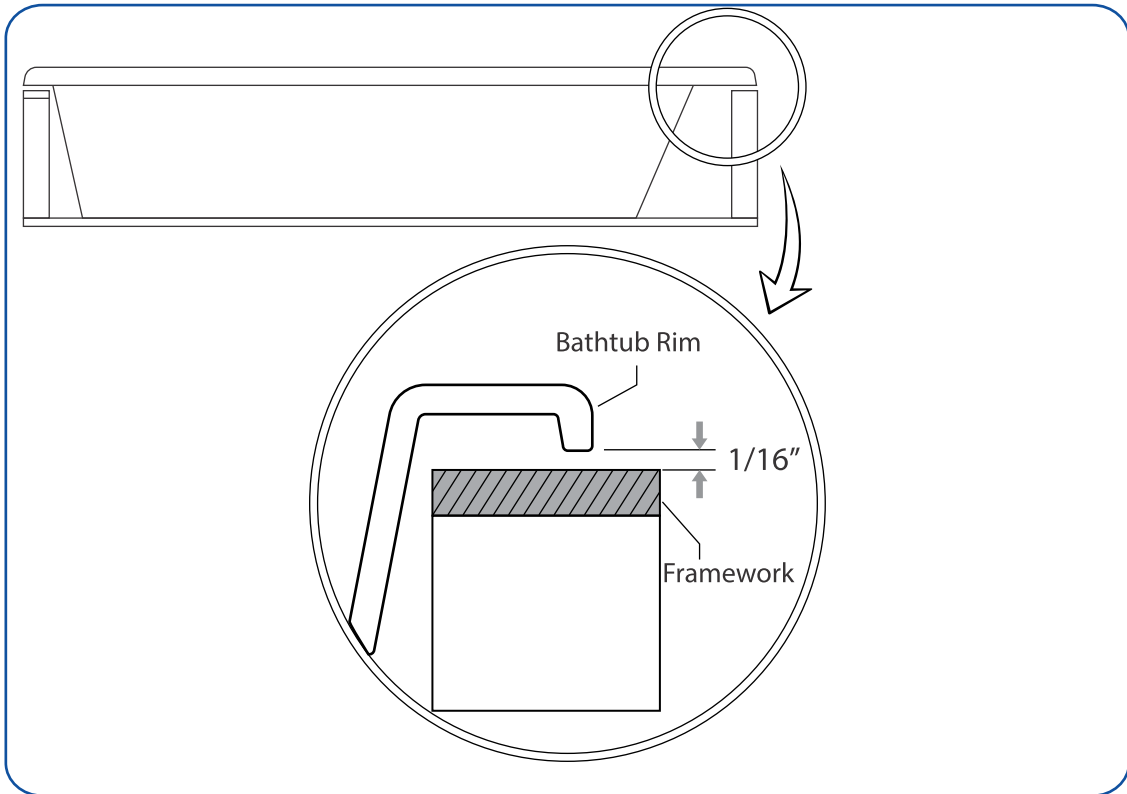
## 6. Framing And Support

- The range of possible installations may necessitate framing methods different from those illustrated or referenced. Please consult with a certified plumber or installer
- The deck **MUST** be level; otherwise, the bathtub will not drain. Stringers should provide support for the deck at its intersection with the wall. These stringers must be even from front to back and side to side.
- Tiling flanges may be necessary and **MUST** be ordered separately.
- Ensure proper floor support and verify that the floor is even. Confirm that the floor can bear the weight of the bathtub when filled with water and the person using it.
- The bathtub should not rely on the tub deck material for support, nor should the tub's support come from its rim or deck. The primary support for the bathtub should be derived from the floor, any mortar bedding used, or leveling feet.
- **DO NOT CONSTRUCT THE ENCLOSURE BEFORE RECEIVING YOUR BATHTUB.** Confirm the measurements of the structure against the unit to guarantee an accurate fit.
- Minimize the rough-in work until the bathtub is on hand. Dimensions may deviate by  $\pm 1/4$ " from the specifications.
- When designing the installation space, ensure that there are accessible points to plumbing connections for potential post-service needs.

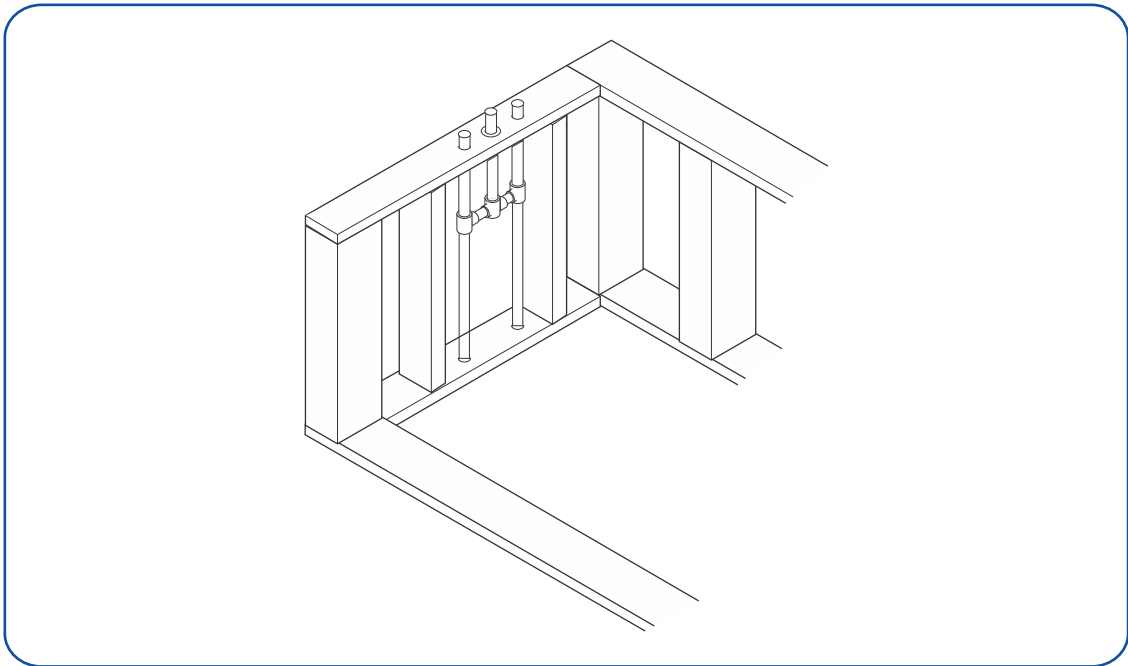
## 7. Installation Instructions

1. Build the correct frame for the purchased bathtub using 2"x4" or 2"x6" lumber. Consult the item's specification sheet for precise dimensions. Remember to account for access to the drain and faucet connections during framing. **ALWAYS CONFIRM STRUCTURE MEASUREMENTS WITH THE ACTUAL UNIT FOR A PRECISE FIT.**
  - a. As you build the frame, account for the space and thickness of the final wall, deck material, and plumbing connections.
  - b. Remember to factor in the thickness of the mortar base (if utilized) and any tile or deck materials when determining the height of the frame.
  - c. Ensure a 1/16" (2 mm) gap remains between the bathtub rim and the framework.

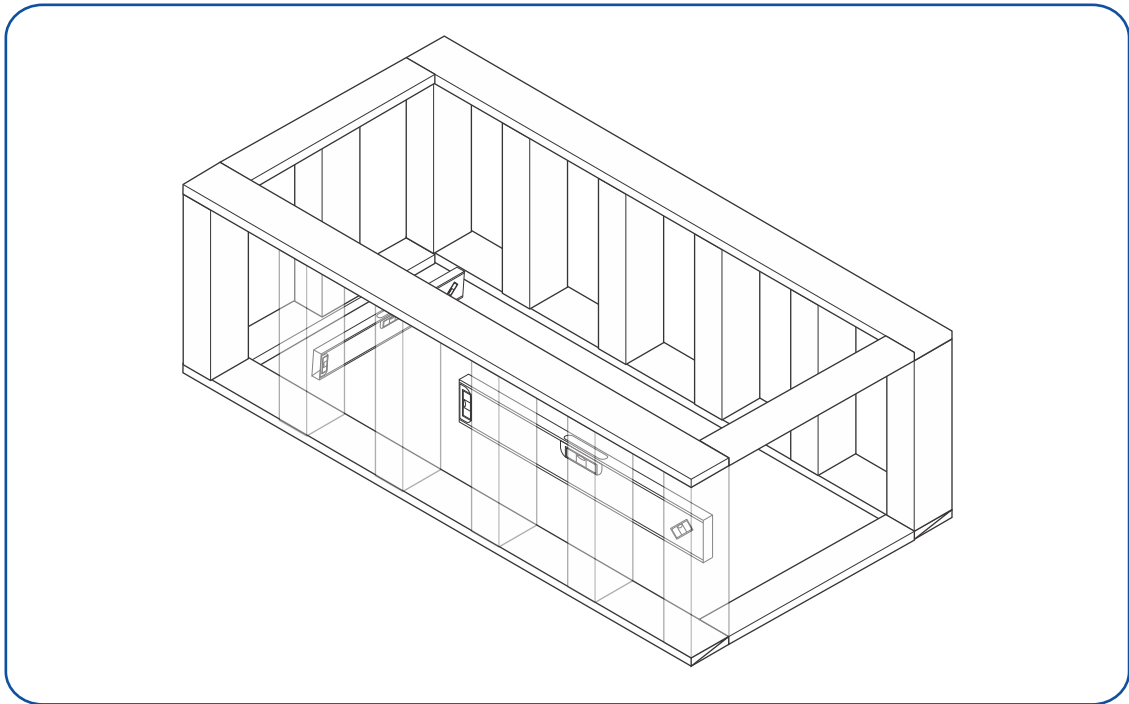




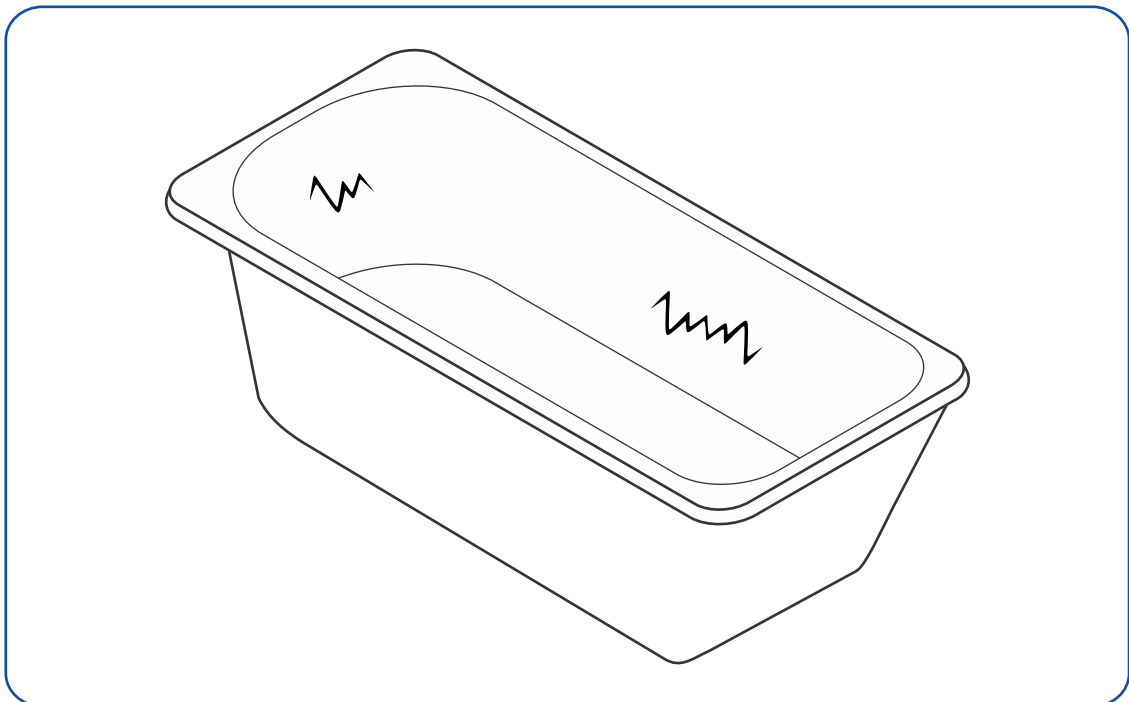
2. A certified plumber should handle rough-in plumbing before bathtub installation.



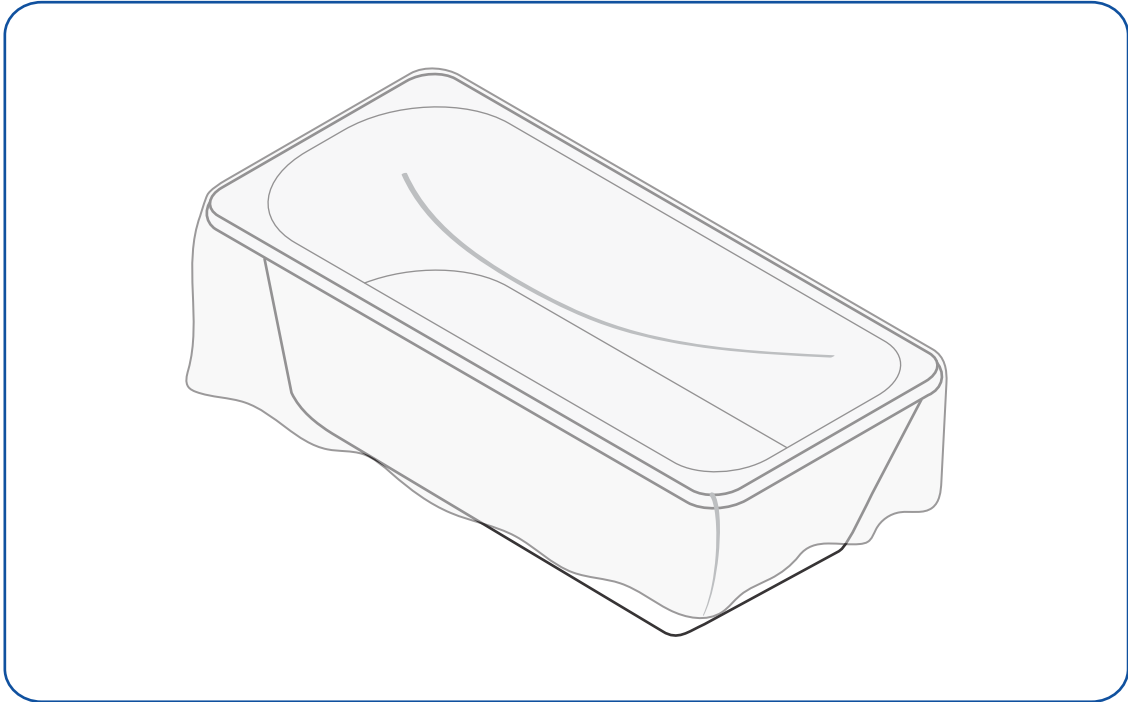
3. Ensure that the floor is level before beginning the installation process.



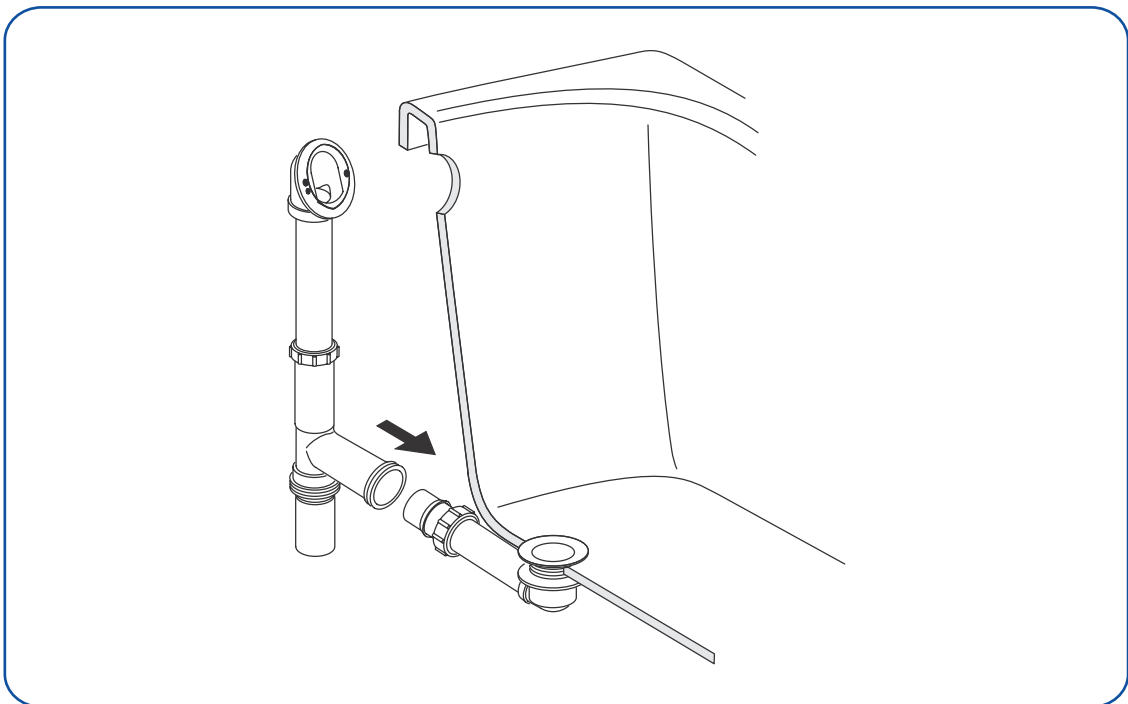
4. Unpack the bathtub and check for any potential damage. If you detect any damage during examination, refrain from installing the bathtub. Reach out to Streamline customer service immediately for further assistance.



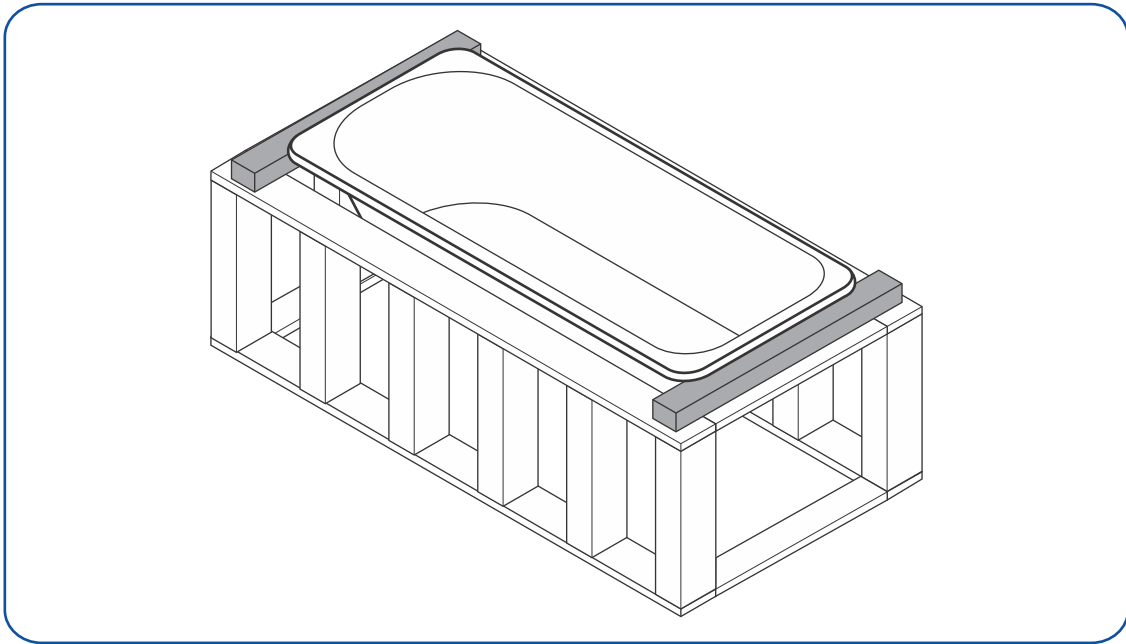
5. Handle the bathtub with the utmost care. Lay a protective sheet over the bathtub to shield it from potential harm.



6. Follow the manufacturer's instructions carefully when installing the overflow and drain assembly onto the bathtub.



7. Place a piece of scrap lumber on each of the ends of the frame cutout – this will be used as a temporary support before lowering the bathtub fully into the opening.



There are two methods available to ensure that the bathtub is level within the frame:

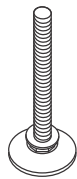
- Leveling Foot Hardware
- Direct Tub-to-Floor Installation

### **Leveling Foot Hardware**

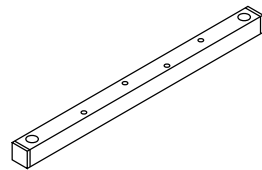
#### Components



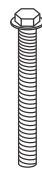
8 Hex Nuts



4 Leveling  
Foot Pads



2 Metal Bars

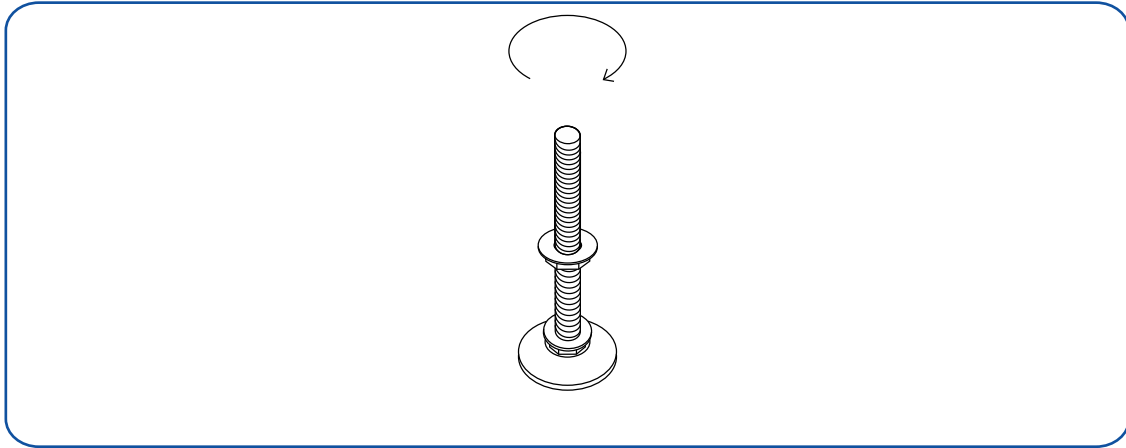


8 Screws  
(M5x40mm)

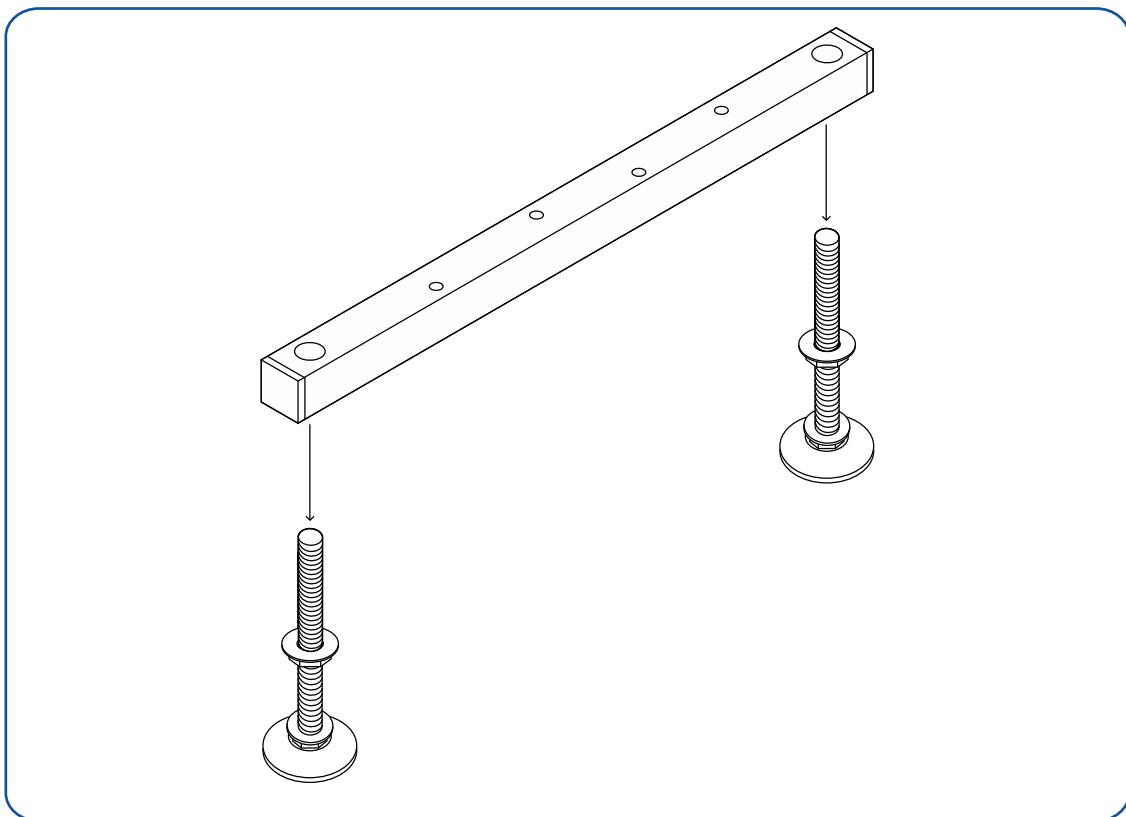
Depending on the specific plumbing and flooring conditions in your installation area, you can utilize the leveling foot hardware included with the bathtub. The key benefit of this approach is that it allows the tub to be supported by the leveling feet instead of its shell. This installation method also eliminates the mortar/cement compound requirement since the leveling feet can be securely attached to the floor using construction adhesive. Furthermore, it enables precise adjustments to maintain a 1/16" (2mm) gap between the bath rim and framing, ensuring that the deck does not bear the tub's weight.

To install the leveling foot hardware:

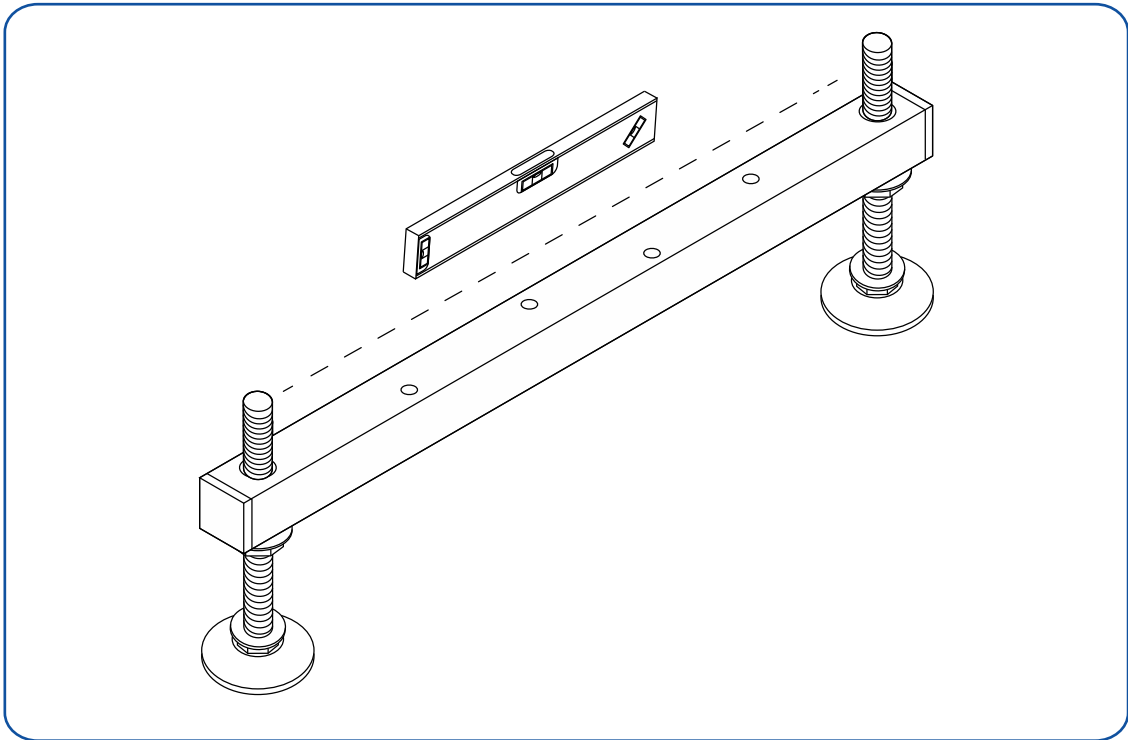
- a. Begin by taking one leveling foot and a hex nut. Thread the hex nut onto the leveling foot to the desired height at which you intend to position the leveling foot on the bathtub.



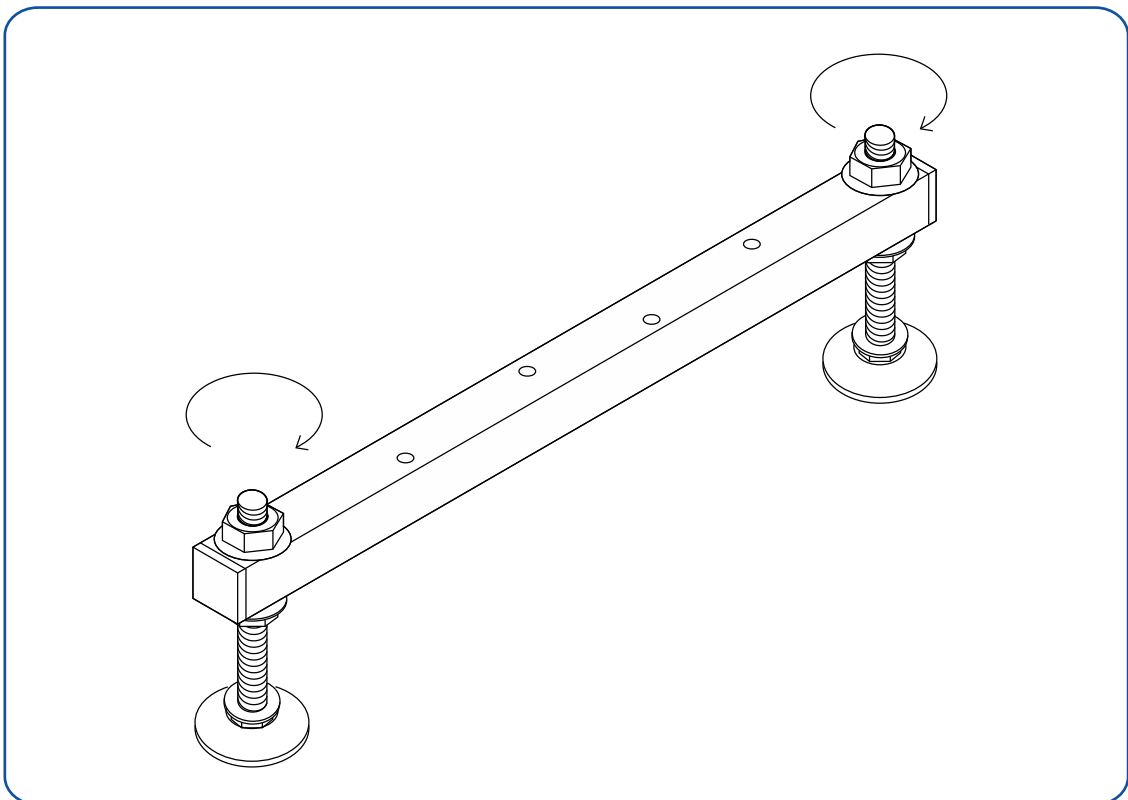
- b. Follow the same procedure for the remaining leveling feet.
- c. Take one leveling bar and thread each leveling foot through the outer hole on either side of the bar.



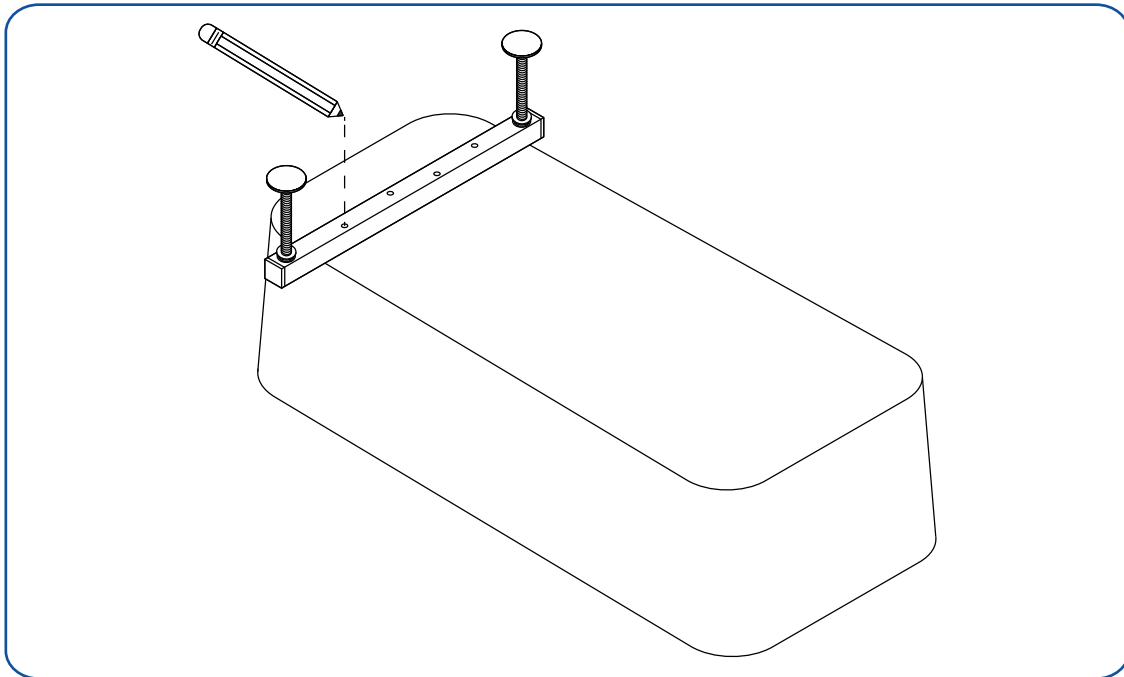
- d. Make sure that the upper hex bolts on all leveling feet are positioned evenly and leveled with each other.



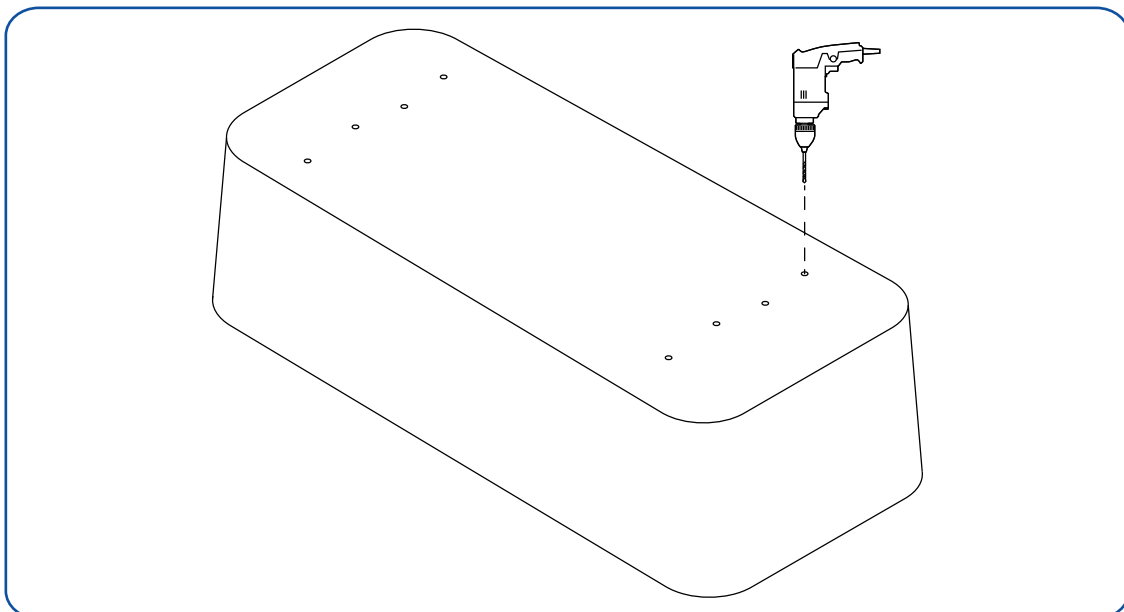
- e. Secure the leveling foot to the leveling bar by threading a hex bolt over the leveling foot. Tighten firmly.



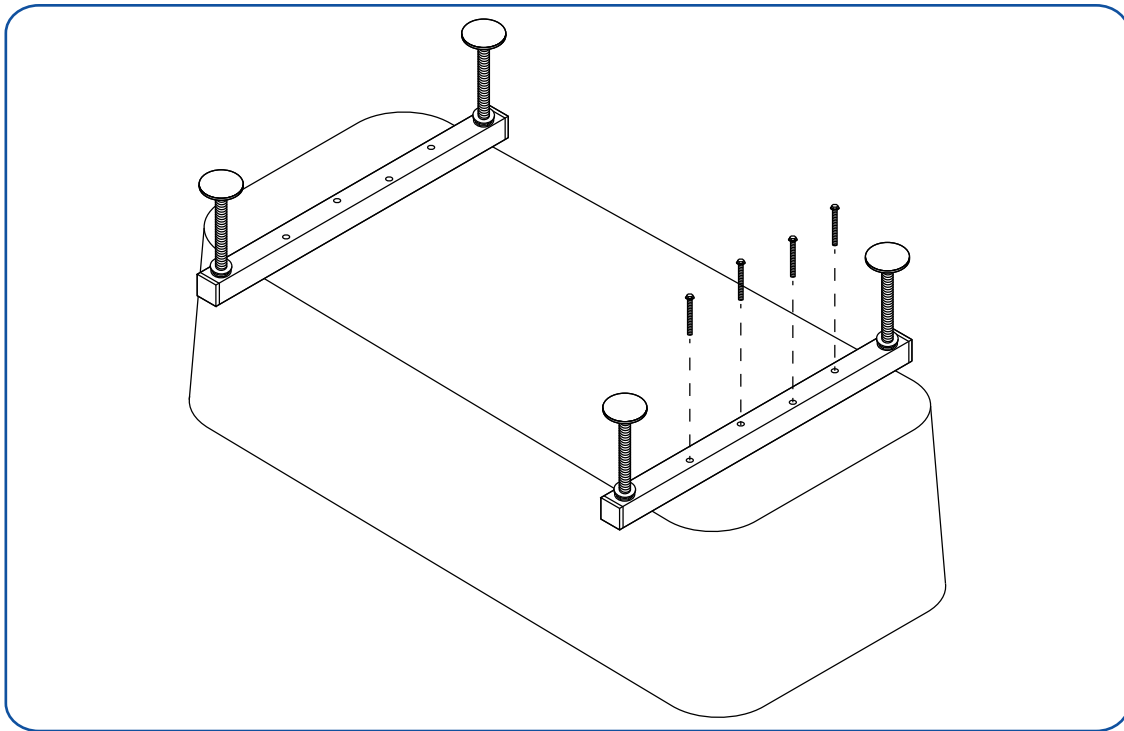
- f. Follow the same procedure for the remaining leveling feet.
- g. Position both fully assembled leveling bars onto the bathtub's underside, ensuring that the bars are placed evenly. We strongly recommend referring to the item's specification sheet for precise positioning of the leveling bars for comprehensive measurements.
- h. Mark the positions of the four holes on the underside of the bathtub where the leveling bar will be positioned. Repeat this step for the other side as well.



- i. Remove the leveling bars.
- j. Using a 3/16" (5mm) drill bit, carefully drill pilot holes into the bathtub's surface, ensuring that the drilling depth does not exceed a maximum of 0.6" or 15mm into the bathtub.



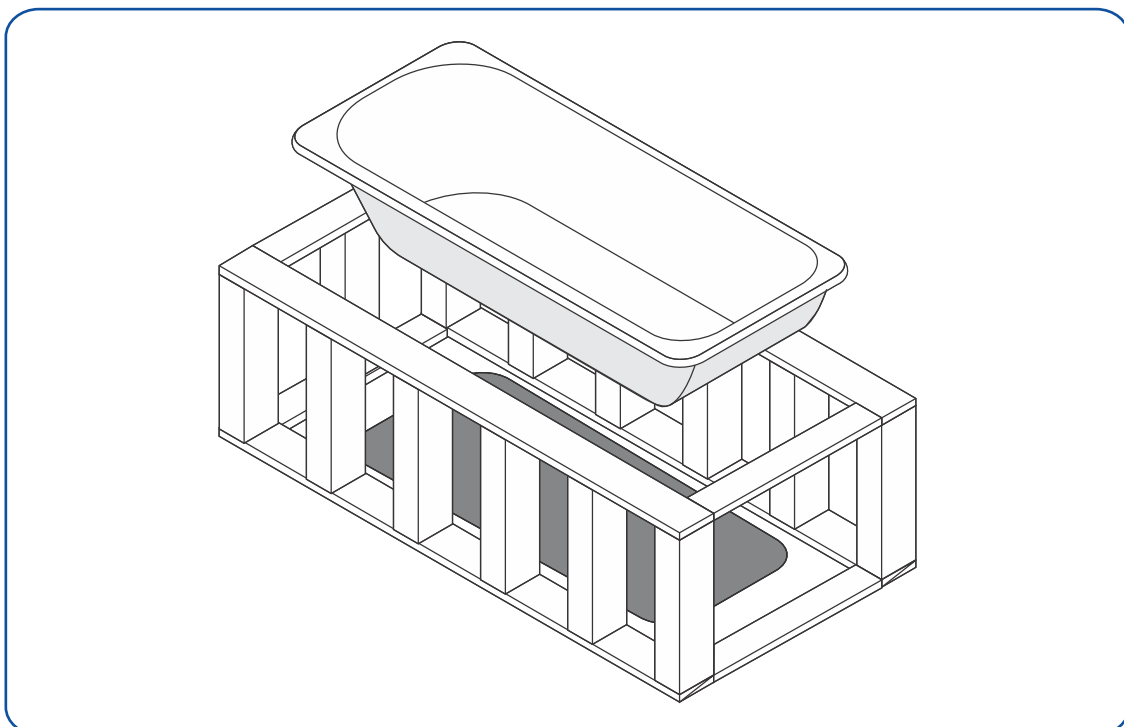
- k. Position the leveling bar over the drilled holes.
- l. Secure the leveling bar in place using the M5x40mm screws. Use four screws per leveling bar. Be careful not to overtighten the screws.



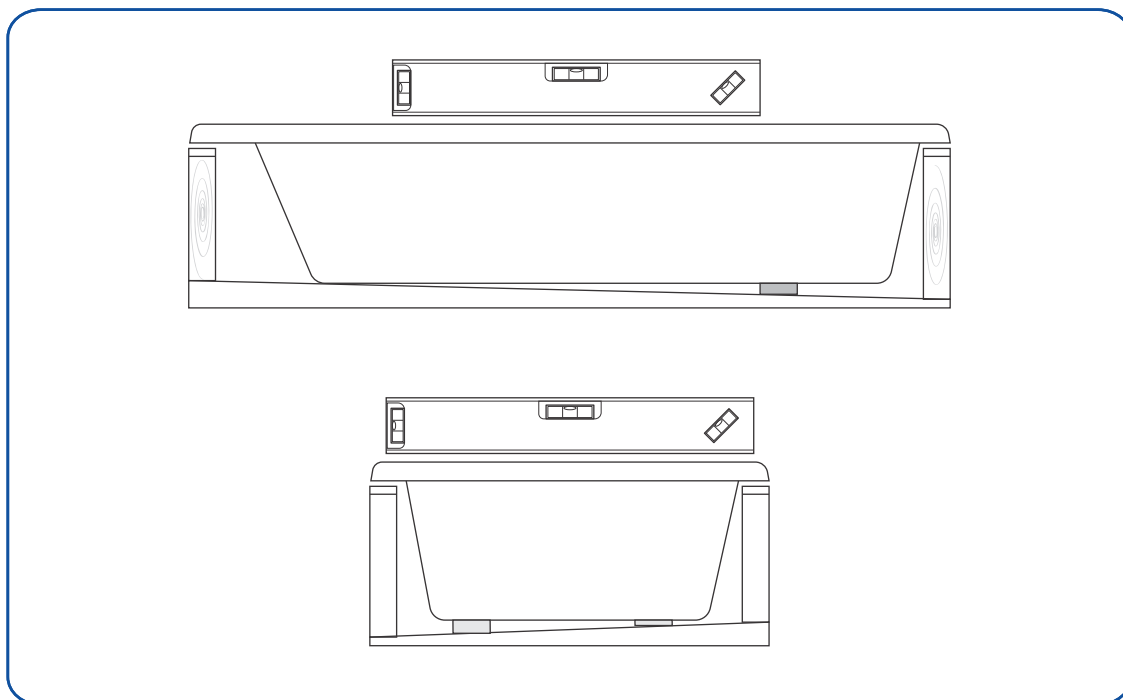
- m. Repeat for the other side.

### **Direct Tub-to-Floor Installation**

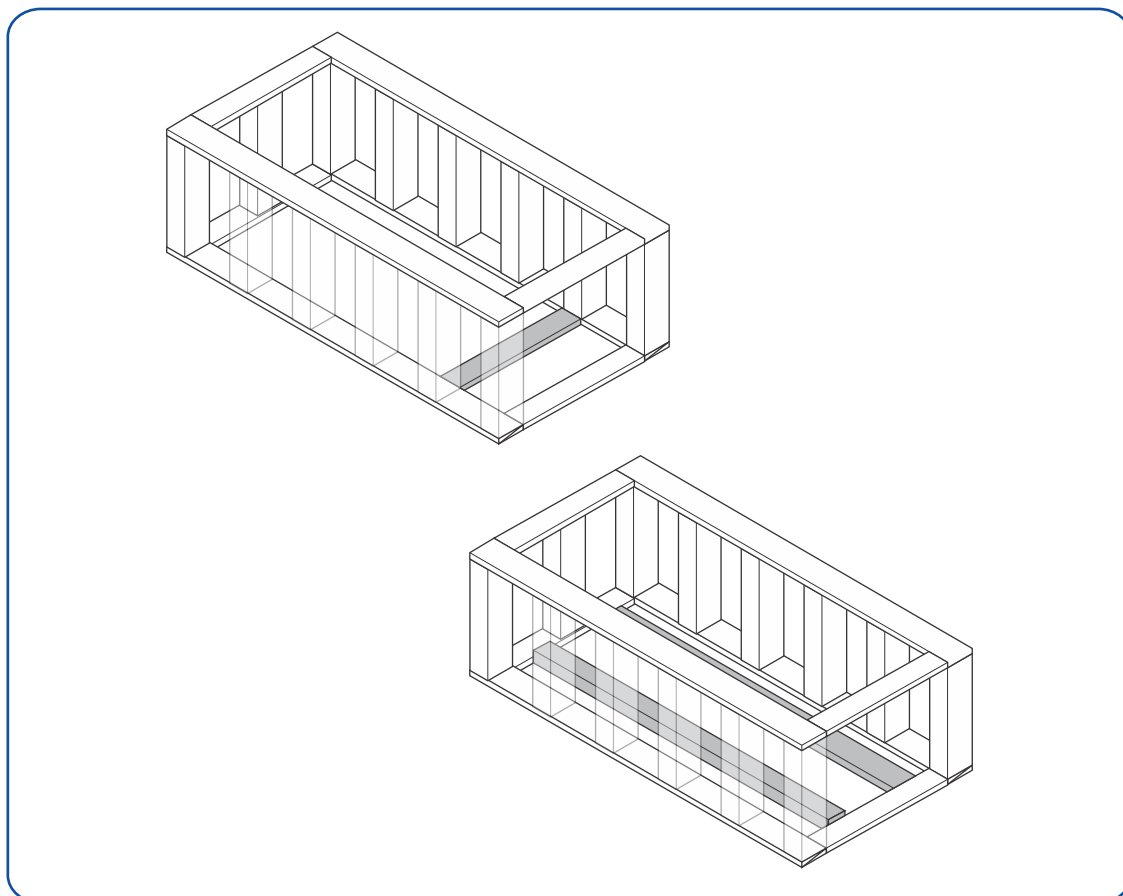
If opting **NOT** to use the provided leveling foot hardware, the bathtub can be set directly within the confines of the tub deck.



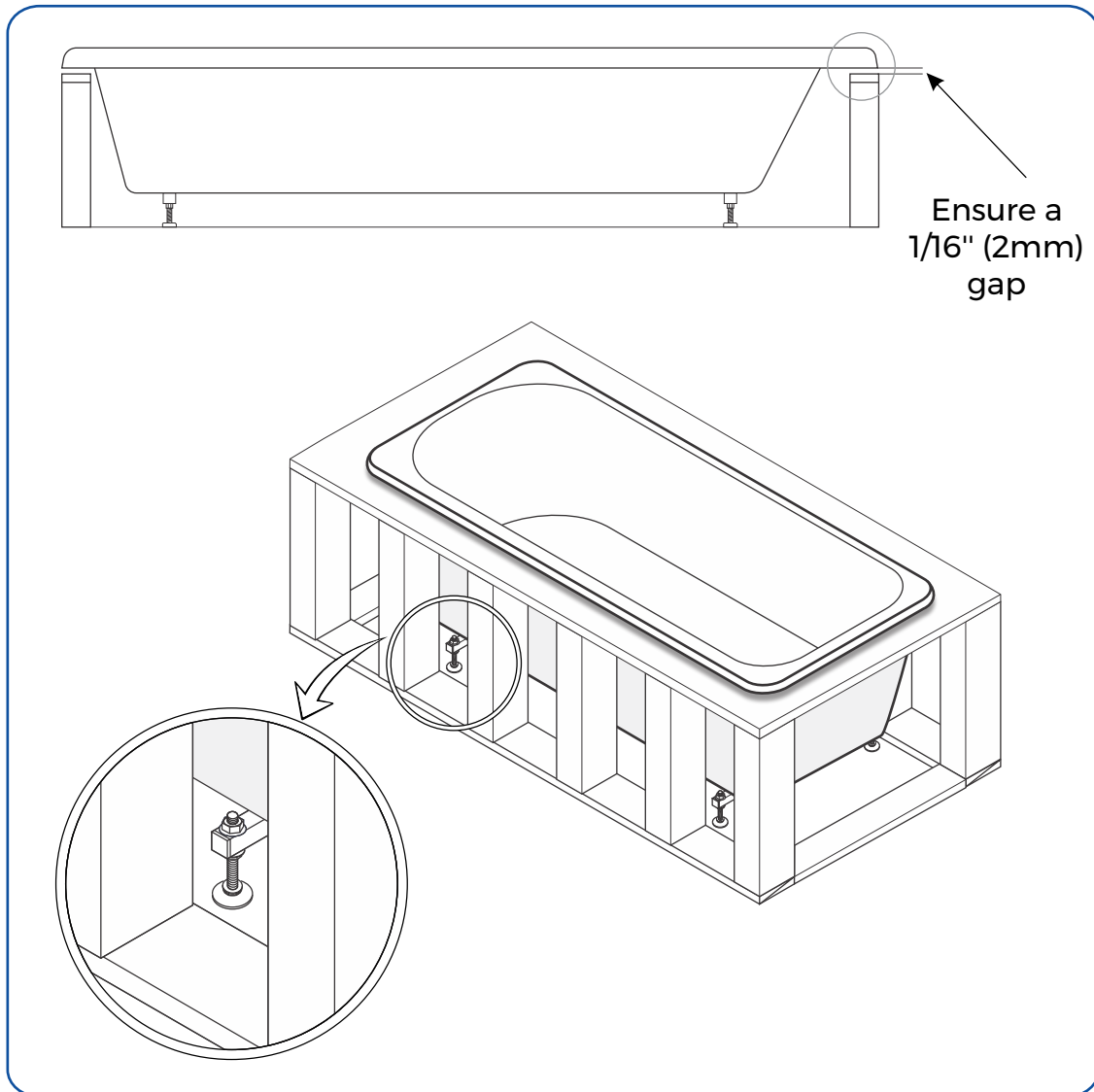
- a. If the bathtub is not level once positioned inside the frame, it is recommended to either use the supplied leveling hardware or explore alternative leveling methods, such as using wooden blocks.



- b. Remember that alternative leveling materials like wood blocks **MUST** be securely attached to both the bathtub base and the framework.



To ensure that the bathtub is not supported solely by its rim, it's essential to maintain a minimum gap of 1/16" (2mm) between the framing and the underside of the tub. If you are using leveling feet, we recommend adjusting them to maintain this gap. If leveling feet are not in use, you can place 1/8-1/16" wooden shims on top of the finished deck at the points where the tub rim will meet the deck until the installation is complete.

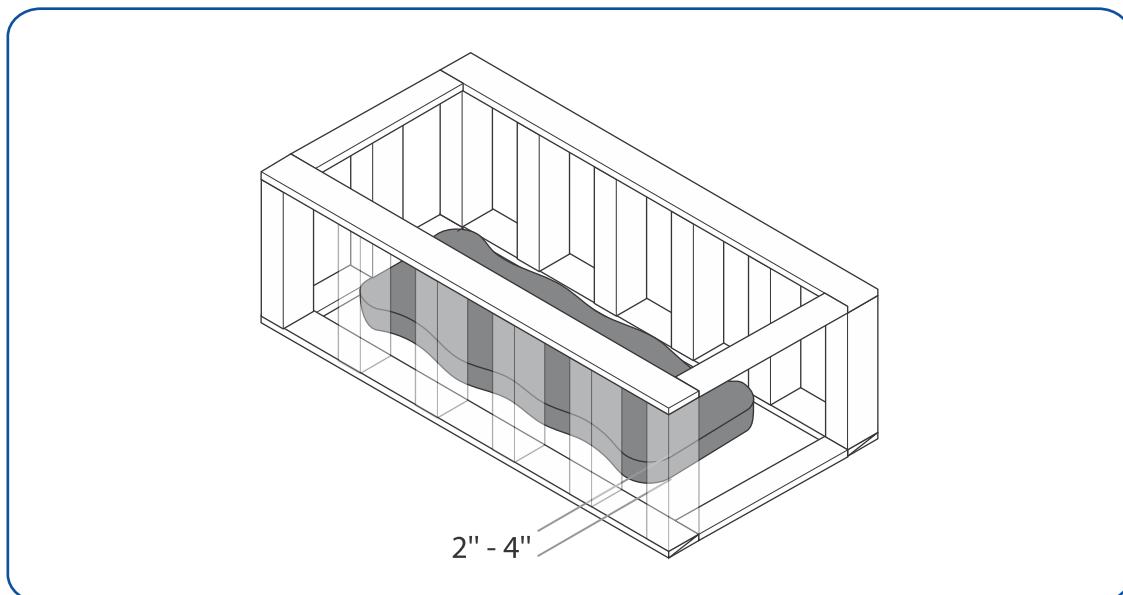


Two common methods for securing the bathtub are a mortar bed or construction adhesive. Alternative methods are also available, depending on the specific installation site. Please consult with a certified plumber/installer.

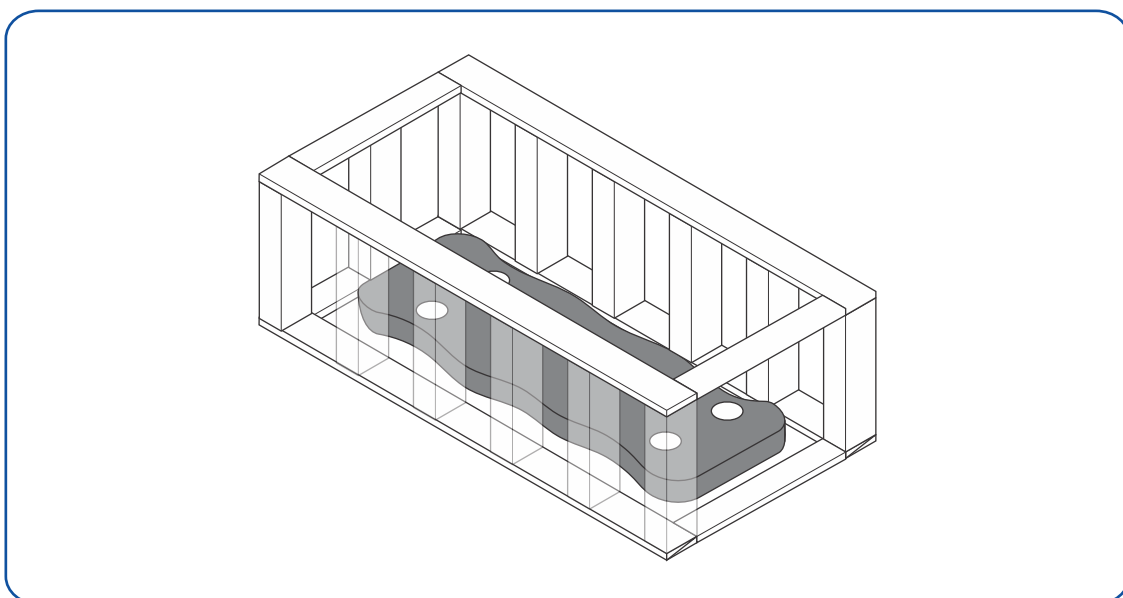
- Mortar Bed
- Construction Adhesive

## Mortar Bed

- a. Avoid gypsum cement and drywall compounds; they lack a lasting bond. **ONLY** use mortar.
- b. Ensure you use enough mortar to support the bathtub's bottom, typically between 2" and 4". The mortar layer should be adequately thick to facilitate the tub's leveling without elevating it.

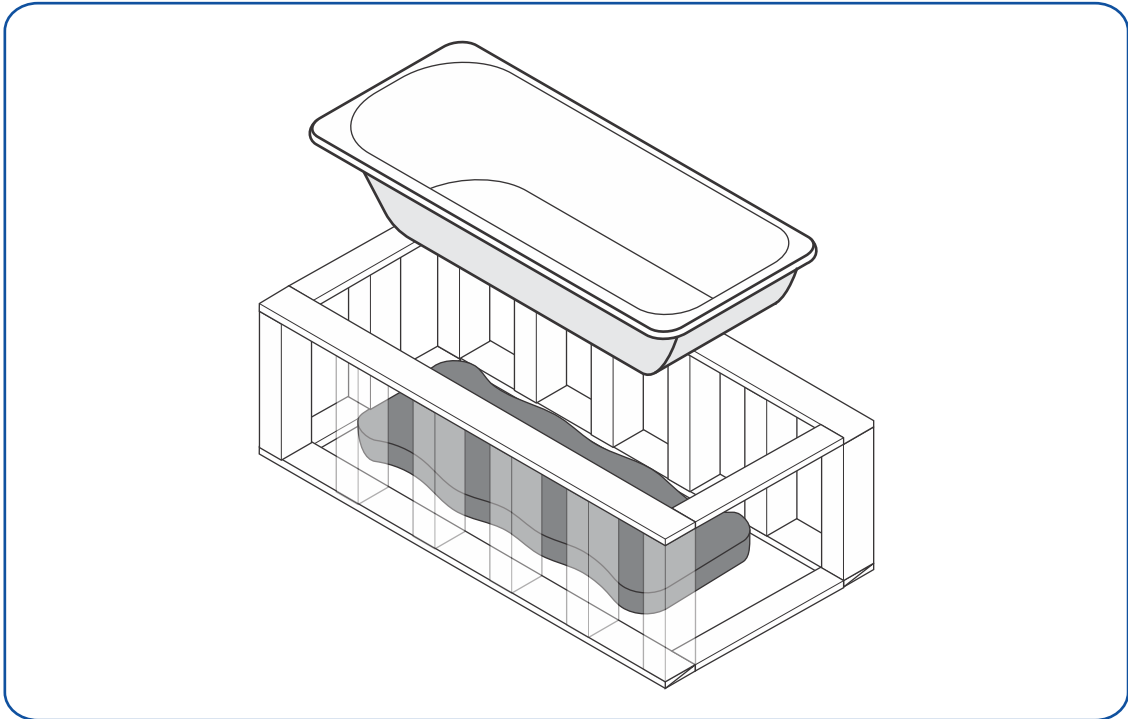


- c. If utilizing the leveling feet, distribute the mortar across the floor, avoiding the spots where the leveling feet will be positioned.

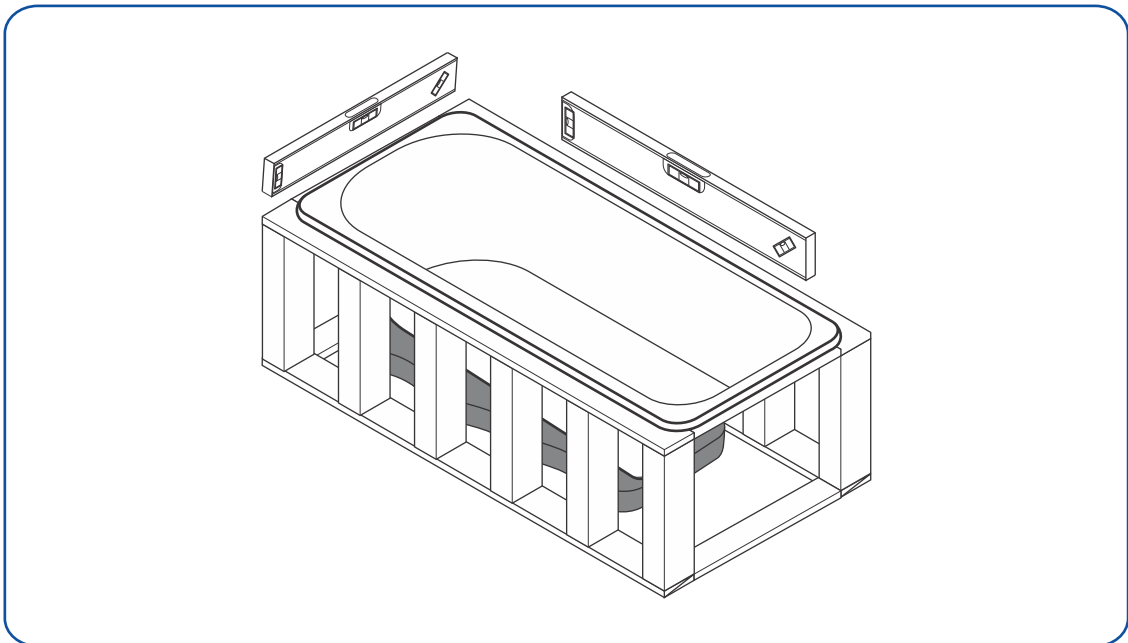


- d. Refrain from applying mortar near the drain.

- e. Once the mortar has been applied and before it begins to set, position the bathtub in the recess, ensuring the rim is level.

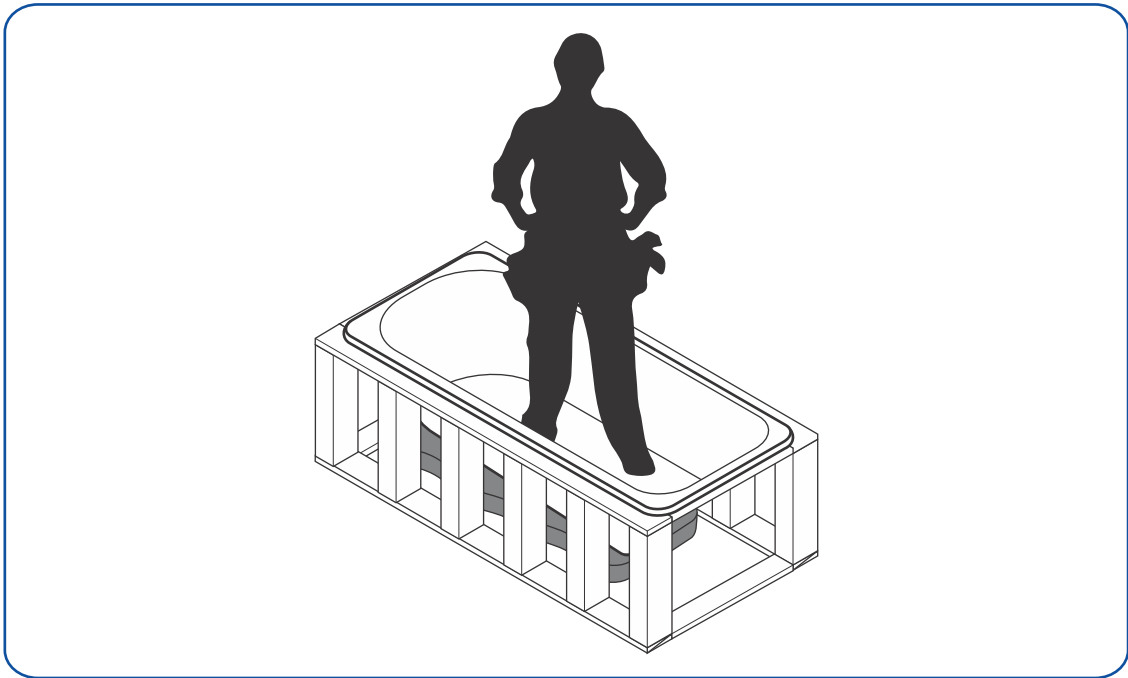


- f. It is crucial to install the bathtub with even support both around the deck and underneath it to maintain its level. An uneven installation could potentially affect drainage.

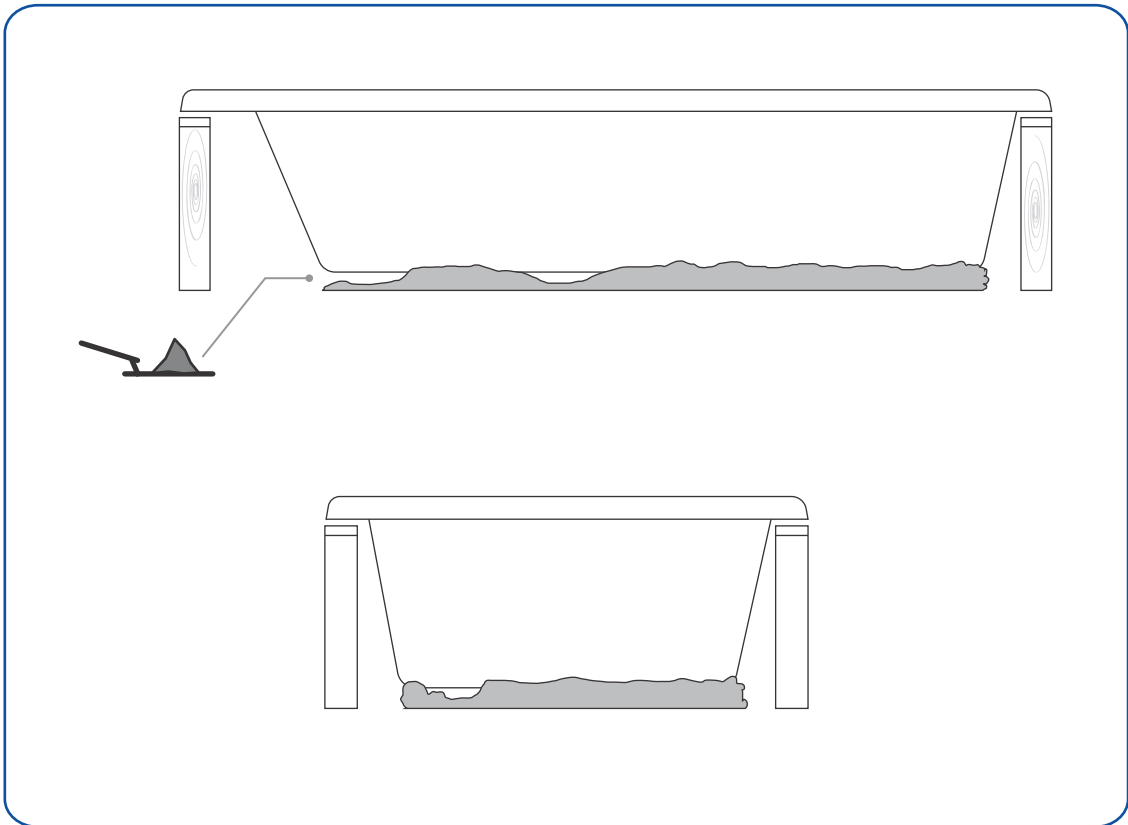


- g. Let the bathtub settle into place, being vigilant of any excess mortar accumulating on its sides and ends.

**h. AVOID STEPPING INTO THE TUB UNTIL THE MORTAR BED IS FULLY SET AND DRY.**

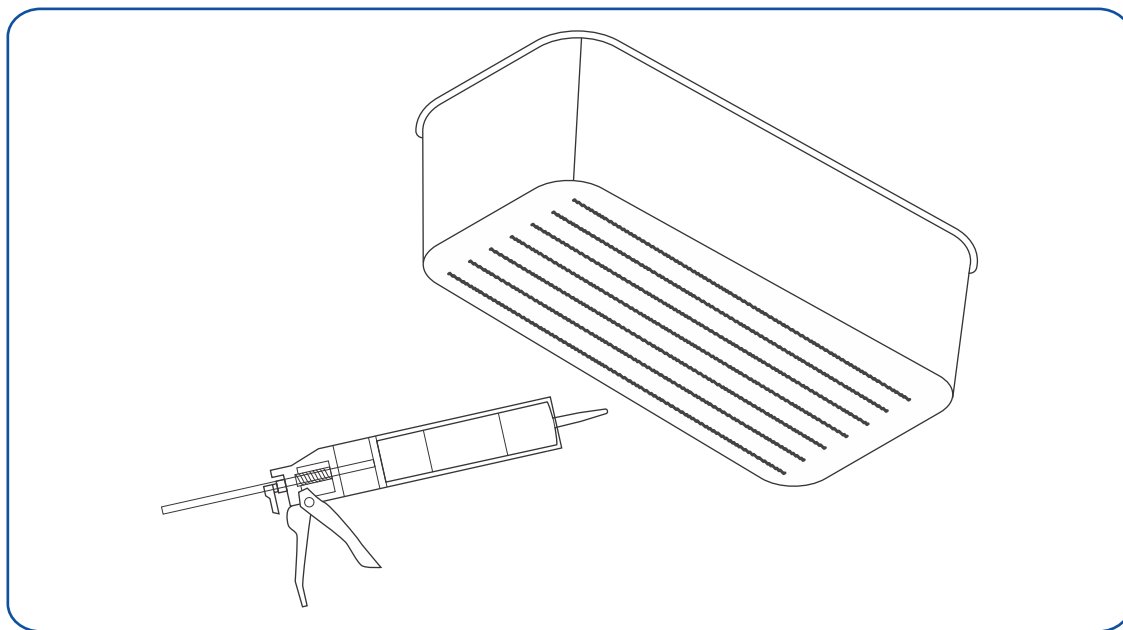


**i. Allow the mortar bed to be set for at least 24 hours. Afterward, ensure that the mortar correctly supports every tub section. Add more mortar in areas where the tub lacks firm support.**

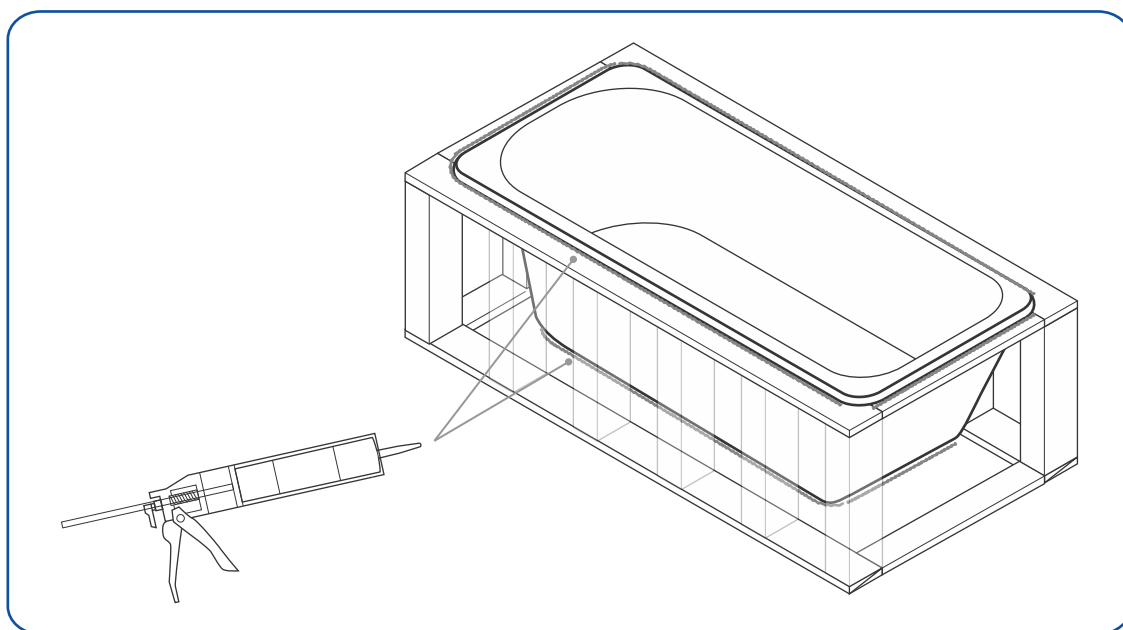


## Construction Adhesive

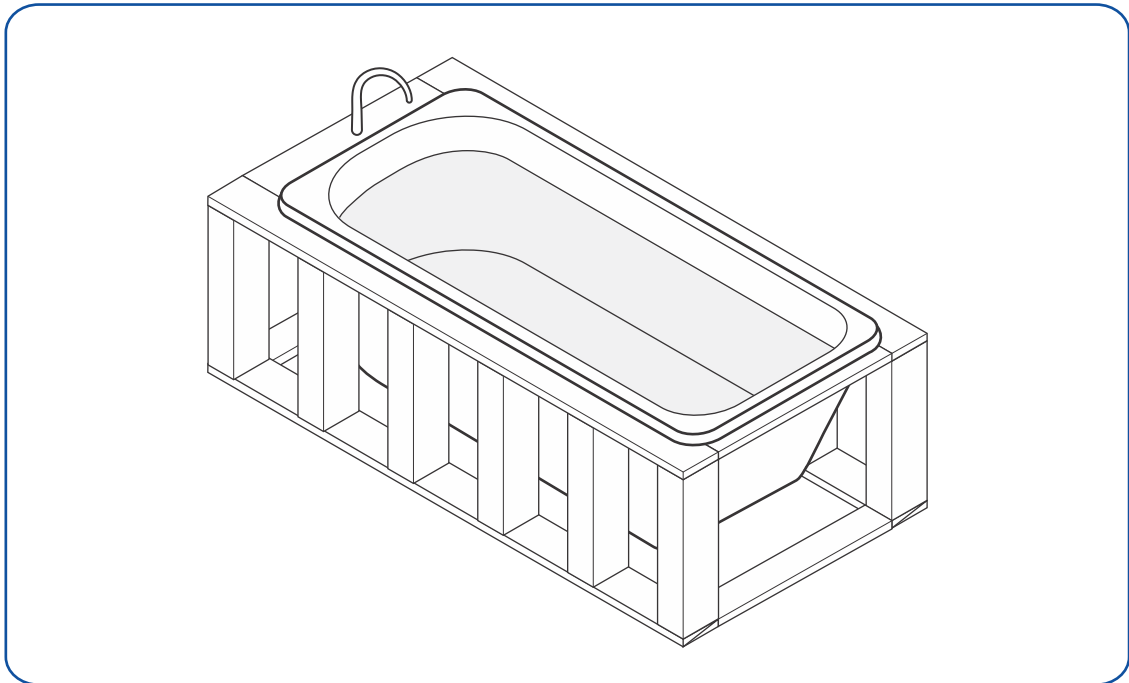
- a. Apply a generous amount of construction adhesive to the base of the leveling feet or the selected support method. Carefully position the bathtub, ensuring the leveling feet/selected support method rests on the floor. Make any necessary adjustments or shimming. Confirm that the bathtub is level on top and plumb near the drain. If it remains unlevel, use wooden shims underneath to achieve a level position within the frame.



- b. After finishing the installation, please take out the shims and administer 100% silicone caulk around the boundary of the bathtub, its rim, and the completed deck. Remove any extra silicone sealant.

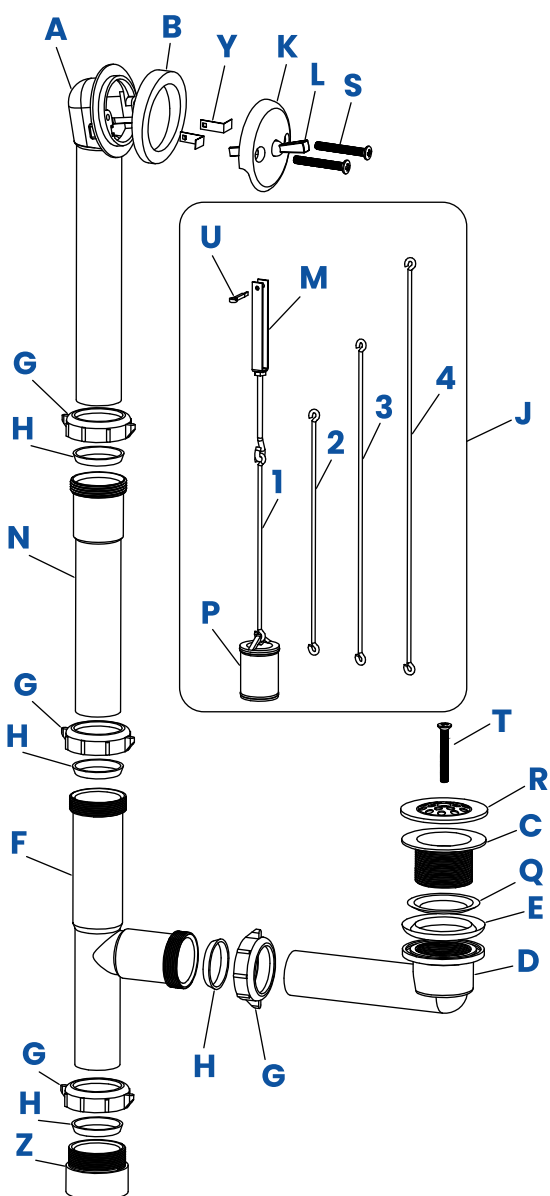


- c. Make any final drain connections to the plumbing in the home.
- d. Fill the bathtub with water and carefully inspect for any leaks to confirm the integrity of the plumbing. Be sure to examine both the overflow and drain connections visually.



## 8. Drain Installation Instructions

### P DRAIN SERIES



#### Parts Diagram

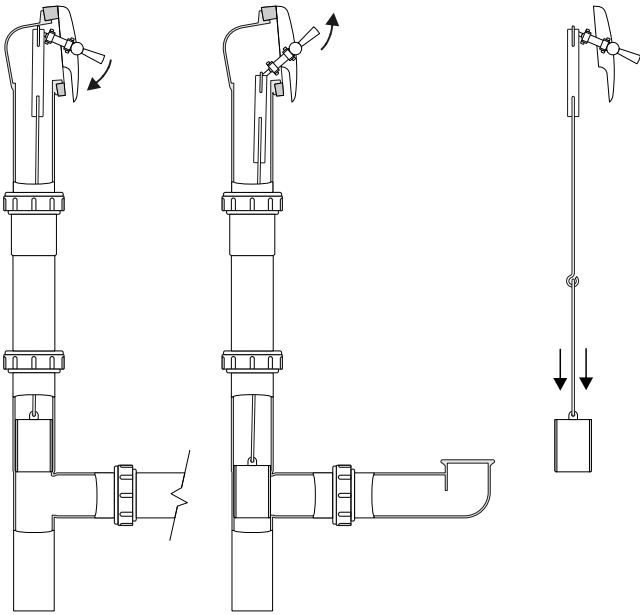
<b>A</b>	Overflow Elbow
<b>B</b>	Overflow Rubber Washer
<b>C</b>	Strainer
<b>D</b>	Drain Elbow
<b>E</b>	Drain Rubber Washer
<b>F</b>	Waste Tee
<b>G</b>	Slip Nut
<b>H</b>	Washer
<b>J</b>	Trip Lever Linkage
<b>1-4</b>	Linkage Wires
<b>K</b>	Trip Lever Face Plate
<b>L</b>	Trip Lever Handle
<b>M</b>	Threaded Rod
<b>N</b>	Extension Tube
<b>P</b>	Plunger
<b>Q</b>	Strainer Upper Gasket
<b>R</b>	Strainer Grid Plate
<b>S</b>	Overflow Plate Screws
<b>T</b>	Strainer Grid Screw
<b>U</b>	Cotter Pin
<b>Y</b>	Overflow Retainer Clips
<b>Z</b>	Drain Adapter

## Installation Instructions

1. Attach the strainer upper gasket **(Q)** to the strainer **(C)**. Spread silicone sealant (not included) along the underside flange of the strainer **(C)**. Align the drain elbow **(D)** and the rubber drain washer **(E)** from underneath the bathtub drain hole. Insert the strainer **(C)** into the drain hole and securely attach it from underneath the bathtub to the rubber drain washer **(E)** and to the drain elbow **(D)**. Use pliers or a strainer wrench (not included) to tighten it.
2. Position a slip nut **(G)** and washer **(H)** onto the drain elbow **(D)**, orienting the threads of the slip nut and the beveled edge of the washer toward the end of the tube.
3. Slide a slip nut **(G)** and washer **(H)** onto the overflow elbow **(A)**, ensuring that the threads of the slip nut and the beveled edge of the washer are oriented toward the end of the tube.
4. Next, position the rubber overflow washer **(B)** onto the overflow elbow **(A)**, with the thicker lip facing the overflow elbow's upper part, as indicated in the drawing.
5. Insert the longer arm of the retainer clips **(Y)** into the slots located just below the screw holes on the overflow elbow **(A)**.
6. Measure from the center of the overflow hole to the bottom of the bathtub, where the drain elbow **(D)** will connect to the waste tee **(F)**. Determine if the extension tube **(N)** is needed based on the measured height.
7. If the extension tube **(N)** is needed for the desired overflow height, insert the overflow elbow **(A)** into the extension tube **(N)**, and carefully tighten the slip nut **(G)** without over-tightening. Then, position a slip nut **(G)** and washer **(H)** on the extension tube **(N)**, orienting the threads of the slip nut and the beveled edge of the washer toward the end of the tube. Insert the extension tube **(N)** into the waste tee **(F)** and gently tighten the slip nut **(G)** without over-tightening.
- 7a. Please note that the extension tube **(N)** can be cut if necessary to fit the bathtub properly.
8. If the extension tube **(N)** is unnecessary, refrain from using it. Instead, insert the overflow elbow **(A)** into the waste tee **(F)** and gently tighten the slip nut **(G)** without over-tightening.
9. Position the overflow elbow **(A)** over the overflow hole from the bathtub's exterior.

- 10.** Connect the trip lever linkage (**J**) to the trip lever faceplate (**K**) by aligning the holes and inserting the cotter pin (**U**). Then, using pliers, twist the pin to secure the connection.
- 11.** From the interior of the bathtub, insert the linkage assembly (**J**) and the faceplate (**K**) through the overflow elbow (**A**). The drain assembly includes four linkage wires (**1-4**) to establish the suitable height of the linkage assembly. Refer to the next page of the installation manual to identify the correct wire based on the bathtub's soaking depth. If necessary, adjust the linkage length by turning the threaded rod (**M**).
- 12.** With the trip lever set to the closed position, ensure that the plunger (**P**) rests on the internal stop of the waste tee (**F**).
- 13.** Secure the trip lever plate (**K**) to the overflow elbow (**A**) by using the two overflow plate screws (**S**).
- 14.** Verify the functionality of the plunger mechanism by raising and lowering the trip lever handle (**L**).
- 15.** Install the strainer grid plate (**R**) and fasten it securely using the strainer grid screw (**T**).
- 16.** Firmly tighten all slip joint connections. Perform a water test on the entire installation by filling the tub with water up to the overflow opening and inspecting for any signs of leakage from underneath the tub. Let the water sit in the bathtub for a minimum of 30 minutes and inspect if leakage is occurring.

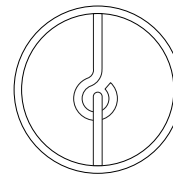
### Adjusting The Linkage Assembly



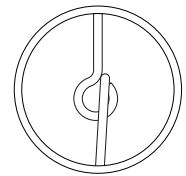
1. Insert the linkage assembly into the overflow, ensuring the trip lever is in the open position (Facing down).
2. Secure the overflow plate onto the overflow drain.
3. Push the trip lever firmly to the closed position (Facing up) in order to set the plunger in the drain.
4. Conduct a water test to check if the plunger is at the correct height.
5. If not, adjust the linkage length by turning the threaded rod or choose a different linkage wire.

Ensure that the linkage wire is correctly attached during the installation of the trip lever drain, as an improper installation may impact drainage.

**Correct**



**Incorrect**



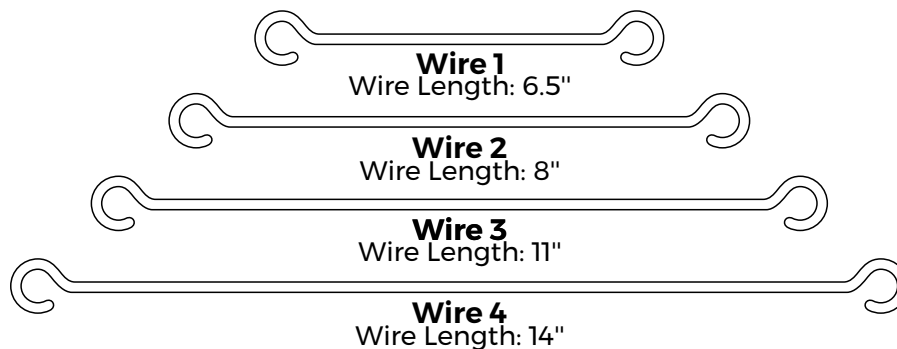
### Linkage Wire Diagram

**Step 1**

Measure the distance from the center of the overflow hole to the bottom of the bathtub, where the drain elbow meets the waste tee.

**Step 2**

Refer to the table below and select the correct linkage wire for the distance measured.



Measurement From Step 1	Use Wire
11" to 14"	1
12.5" to 15.5"	2
15.5" to 18.5"	3
17.5" to 20.5"	4

\*Drawings are not to scale



Our warranty program is designed to provide you with peace of mind. It covers a wide range of potential issues that may arise during the specified warranty period, ensuring that you can enjoy your bathtub with confidence.

We are pleased to inform you that by purchasing our bathtub, you are automatically enrolled in our warranty program.

We want to assure you that our warranty program is backed by our commitment to quality and customer satisfaction. In the unlikely event that you encounter any concerns or defects with your bathtub, our dedicated support team is here to assist you promptly and efficiently.

Please take a moment to review the details of your warranty coverage, which can be found in the documentation included with your purchase. If you have any questions or require further clarification, do not hesitate to contact our customer service department. We are always ready to provide the assistance you need.

Once again, thank you for choosing our bathtub and for allowing us to serve you. We value your trust and are committed to delivering the highest level of product quality and customer care. We look forward to exceeding your expectations throughout your ownership of our bathtub.

For any questions or comments about your new bathtub, please contact customer service at:

USA:  
(310) 935-0028  
[support@streamlinebath.com](mailto:support@streamlinebath.com)

Canada:  
(604) 757-6589  
[support@streamlinebath.ca](mailto:support@streamlinebath.ca)

## LIMITED WARRANTY EXCLUSION

ALL OTHER WARRANTIES EXPRESS OR IMPLIED INCLUDING ALL IMPLIED WARRANTIES OF MERCHANTABILITY OF FITNESS FOR A PARTICULAR PURPOSE ARE HEREBY DISCLAIMED. STREAMLINE® IS NOT LIABLE FOR ANY INDIRECT, PUNITIVE, INCIDENTAL, CONSEQUENTIAL, SPECIAL OR SIMILAR DAMAGES INCLUDING, BUT NOT LIMITED TO, TIME AWAY FROM WORK, HOTELS AND/OR RESTAURANT MEALS, REMODELLING EXPENSES IN EXCESS OF DIRECT DAMAGES WHICH ARE DEFINITELY CAUSED EXCLUSIVELY BY STREAMLINE®, LOST PROFITS OR REVENUE, INABILITY TO USE THE PRODUCT, OR ANY OTHER ASSOCIATED EQUIPMENT, THE COST OF SUBSTITUTE EQUIPMENT, AND ANY CLAIMS BY THIRD PARTIES RESULTING FROM THE USE OF THIS PRODUCT.

### UNDER NO CIRCUMSTANCES SHALL STREAMLINE'S LIABILITY EXCEED THE PURCHASE PRICE OF THE UNIT.

STREAMLINE® PRODUCTS MUST BE INSTALLED BY A FULLY INSURED, LICENSED, PROFESSIONAL WHO SHALL FOLLOW THE INSTRUCTIONS PROVIDED BY STREAMLINE®. SHOULD THE PRODUCT BE INSTALLED BY AN INDIVIDUAL WHO IS NOT A FULLY INSURED, LICENSED PROFESSIONAL, THIS SHALL VOID THE WARRANTY OF THE PRODUCT.

SHOULD A WARRANTY CLAIM ARISE AND EITHER PARTS, REPLACEMENT, OR REPAIR OF THE STREAMLINE PRODUCT IS NECESSARY, FULFILLING THE INITIAL WARRANTY CLAIM SHALL DISCHARGE STREAMLINE® OF ANY FUTURE WARRANTY OBLIGATION. IF THE PURCHASER REFUSES THE WARRANTY SOLUTION PROVIDED BY STREAMLINE®, THIS ACT SHALL VOID THE WARRANTY. UNDER BOTH INSTANCES, STREAMLINE® WILL NOT BE HELD RESPONSIBLE FOR ANY COSTS ASSOCIATED WITH SERVICING THE WARRANTY

NO PERSON MAY MAKE ANY REPRESENTATION, AFFIRMATION, OR WARRANTY OTHER THAN THOSE CONTAINED IN THIS WARRANTY. ANY AFFIRMATION, REPRESENTATION OR WARRANTY BY ANY PERSON WHO IS NOT A STREAMLINE® EMPLOYEE SHALL NOT BE ENFORCEABLE AGAINST STREAMLINE®

Streamline® makes no representations about the quality, durability, or need for service or repair of its products other than the representations contained in this warranty. If you want a longer or more comprehensive warranty than the limited warranty that comes with this product, you should ask Streamline® or your retailer about buying an extended warranty. This warranty gives you specific legal rights, and you may have other rights that vary from state to state. Some states do not allow the exclusion or limitation of incidental or consequential damages, and some states do not allow limitations on how long an implied warranty lasts, so the limitations or exclusions stated above may not apply and may vary from state to state.

The warranties stated herein apply only to the first purchaser of the Product and are not transferable. Streamline® reserves the right to request proof of purchase at the time any warranty claim is submitted to confirm that the Product falls within the scope of this limited product warranty.

### OUT OF WARRANTY PRODUCT

STREAMLINE® IS UNDER NO OBLIGATION, AT LAW OR OTHERWISE, TO PROVIDE YOU WITH ANY CONCESSIONS, INCLUDING REPAIRS, PRORATES,

## LIMITED MANUFACTURER'S WARRANTY

All parts and finishes of Streamline® products are warranted to the original consumer purchaser to be free from defects in material and workmanship for a period of two to five years [depending on the product and model; please check the product listing or email us at support@streamlinebath.com if you are unsure] after the date of original retail purchase. Proof of the original purchase is required to obtain a remedy under this limited warranty. Streamline® recommends using a certified professional for all installation and repair of kitchen and bathroom fixtures.

Streamline® will replace, free of charge, during the warranty period any part or finish that proves defective in material and/or workmanship under normal installation, use and service. Replacement parts may be obtained by emailing us at support@streamlinebath.com

This warranty is extensive in that it covers replacement of all defective parts and even finish, but these are the only two things that are covered. Labor charges and/or damage incurred in installation, repair, or replacement as well as any other kind of loss or damages are excluded. Proof of purchase (original sales receipt) from the original consumer purchaser must be made available to Streamline® for all warranty claims. This is the exclusive warranty by Streamline®, which does not make any other warranty of any kind, including the implied warranty of merchantability. This warranty excludes all industrial, commercial and business usage, whose purchasers are hereby extended a one-year limited warranty from the date of purchase, with all other terms of this warranty applying except the duration of the warranty.

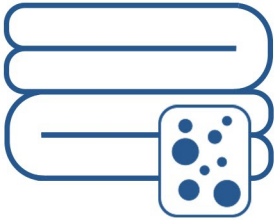


## WHAT IS NOT COVERED UNDER THIS LIMITED WARRANTY

- Normal wear and tear, spills of food, liquid, grease accumulations or cosmetic damage.
- Damage due to accidents, misuse, physical force, improper installation or operation, mishandling, neglect, fire, heat, water, humidity, liquids, insect infestation, or other intrusion.
- Products that have been repaired, altered or modified by anyone other than Streamline® or its authorized service representative.
- Damage caused by use of non-Streamline® accessories or misapplication.
- Products whose serial numbers have been removed, altered or rendered illegible.
- Products purchased, shipped from, used or serviced outside the United States, Canada, and Mexico.
- Damage caused by acts of nature such as, but not limited to, lightning damage.
- Products returned without valid proof of purchase.
- Consumable parts such as light bulbs, metal, and charcoal filters.
- Any party's willful misconduct, negligence, misuse, abuse, accidents, neglect, improper operation, failure to maintain, improper or negligent installation, tampering, failure to follow operating instructions, mishandling, unauthorized service (including self-performed "fixing" or exploration of the product's internal workings).
- Use of corrosive or abrasive cleaning products.
- Cosmetic damages including scratches, dents, chips and other damage, unless such damage results from defects in materials and workmanship and is reported to Streamline within 3 calendar days of delivery.
- Use of the Product in anything other than its normal, customary and intended manner.
- A failure to comply with any applicable state, local, city or county electrical, plumbing and/or building codes, regulations, or laws, including failure to install the product in strict conformity with local fire and building codes and regulations.
- In no event shall Streamline have any liability or responsibility whatsoever for damage to surrounding property, including cabinetry, floors, ceilings, and other structures or objects around the product.

**NO ATTEMPT TO ALTER, MODIFY, OR AMEND THIS WARRANTY SHALL BE EFFECTIVE UNLESS AUTHORIZED IN WRITING BY AN OFFICER OF STREAMLINE.**

## 10. Use & Care Guide



In order to clean the bathtub, please only use a soft cotton cloth or soft sponge.



Never use acidic, alkali, or any products to clean the bathtub that state on their label that they are **Not Suitable** for use on Acrylic, ABS, Polystyrene or Plastic.



To clean inside the bathtub, fill it with warm water and add a couple of squirts of dish liquid. Allow it to sit for 30 minutes. Let the bathtub drain and wipe away any residue. You can also use cleaning products in aerosol cans or solvents, including acetone for a deep clean

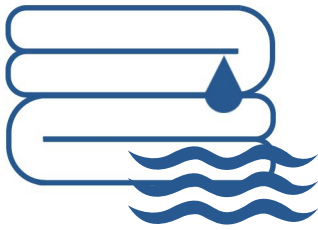


In order to remove light marks or scratches, apply toothpaste to the area and scrub with a soft cloth or sponge.



If deep cleaning is necessary, rinse or soak the tub in warm water for 30 minutes and add a bit of liquid soap or dish soap to the water. Rinse and dry with a soft towel.

---



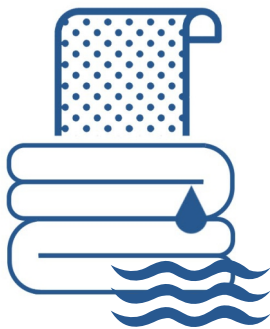
It is advised to clean the surface of the bath regularly in order to remove any insoluble products. Warm soapy water should be used and afterwards the bath should be wiped. **Do not let cleaners soak in.**

---



It is advised to always run some cold water before turning on the hot tap, with hot water temperatures not exceeding 65 Celsius.

---



If deep scratches or burns appear, please use sandpaper with at least 1500 grit. Dampen the sandpaper slightly with water and then proceed to rub the sandpaper in a circular motion around the affected area, ensuring that you rub slightly wider than the affected area.

Continue doing so until the scratch is no longer visible. In order to bring the affected area back to its shiny form, please use a soft cloth and a small amount of polish to buff the rubbed area. Continue doing so until the affected area is restored to its original shine.



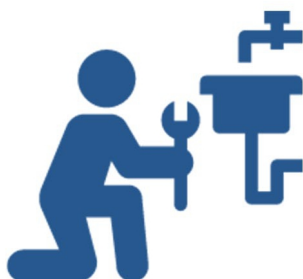
The surface of the bathtub has good resistance properties to acids, but should not come into contact with alkalis or organic solvents, such as caustic soda, some multi-surface cleaners, bathroom cleaners, bleaches, harsh solvents, burning cigarettes, strong chemicals such as dry-cleaning fluids, paint strippers, acetone, citrus based chemicals, and nail/varnish removers.

---



Please read all instructions carefully before proceeding with installation.

---



Due to the complexity of the installation procedure, a professional plumber is required.