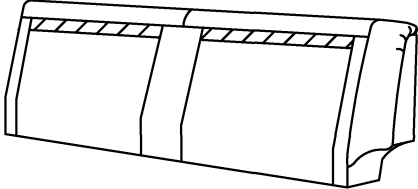
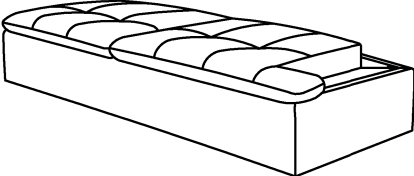
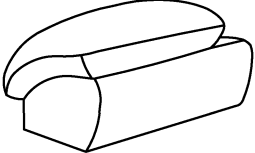
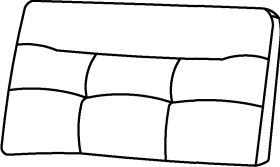
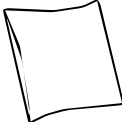
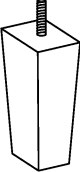
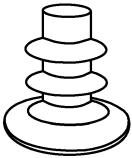
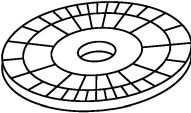
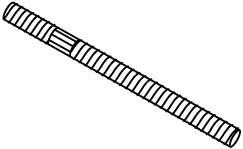


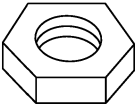
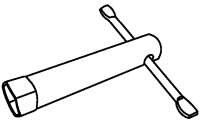


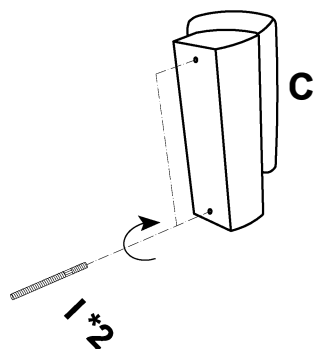
# ASSEMBLY INSTRUCTIONS

## Parts list:

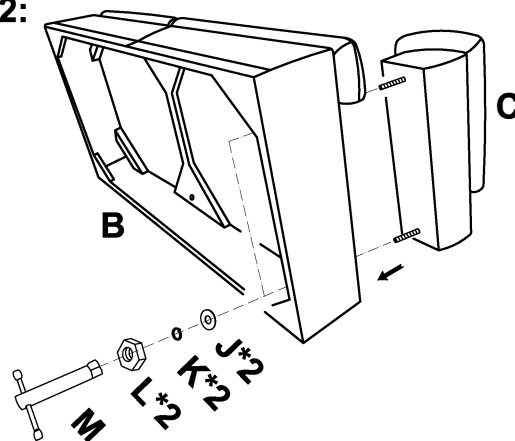
<b>A</b> BACK FRAME (1 PC) 	<b>B</b> SEAT FRAME (1 PC) 	<b>C</b> ARM FRAME (1 PC) 	
<b>D</b> BACK CUSHIONS (2 PCS) 	<b>E</b> PILLOW (1PC) 	<b>F</b> LEGS (4 PCS) 	
<b>G</b> PLASTIC CAPS (4 PCS) 	<b>H</b> PLASTIC GASKETS (4 PCS) 	<b>I</b> THREADED RODS (5 PCS) 	
<b>J</b> FLAT WASHERS (5 PCS) 	<b>K</b> LOCK WASHERS (5 PCS) 	<b>L</b> HEXAGON NUTS (5 PCS) 	<b>M</b> WRENCH (1 PC) 

# How to assemble:

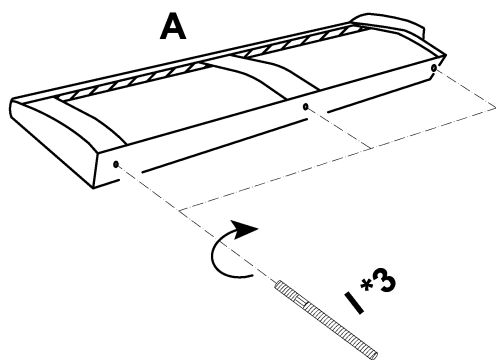
STEP 1:



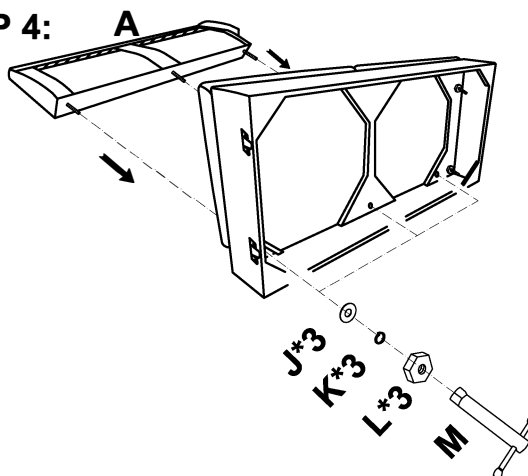
STEP 2:



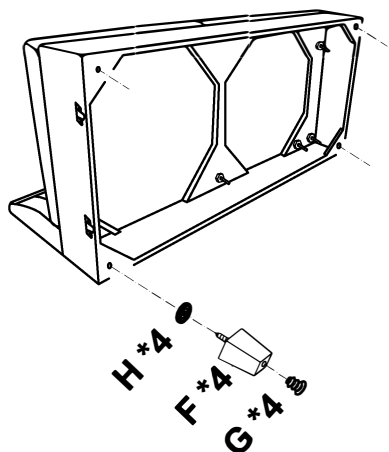
STEP 3:



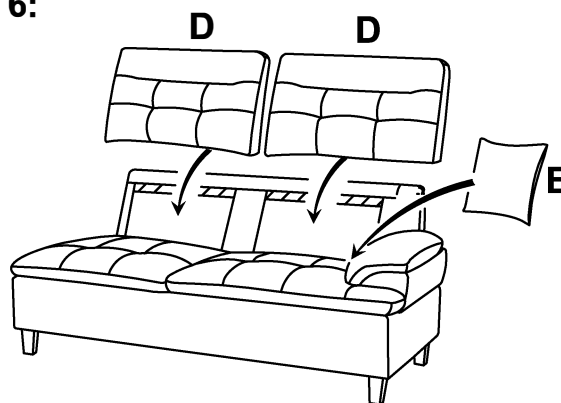
STEP 4:



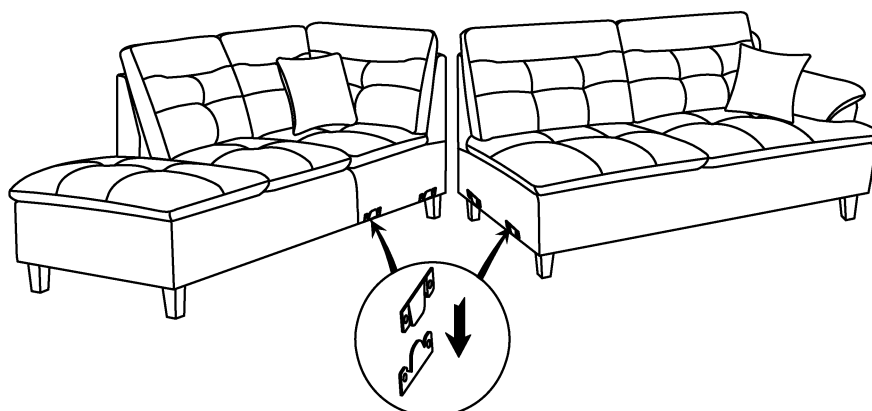
STEP 5:

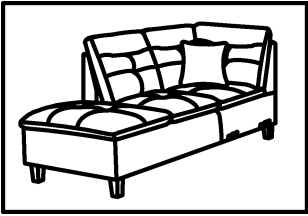


STEP 6:



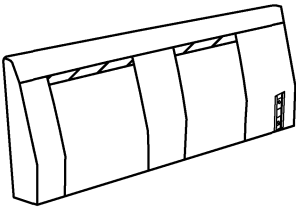
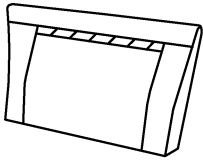
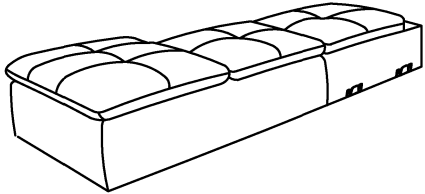
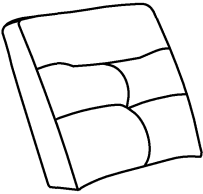
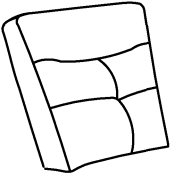
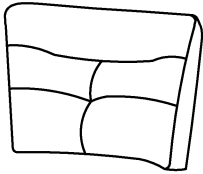
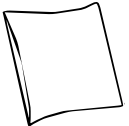

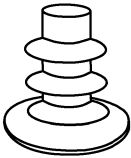
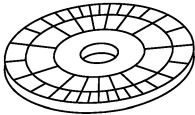
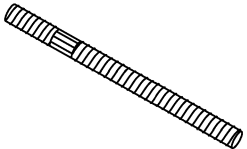


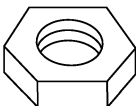
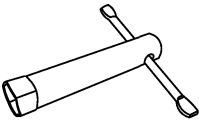
STEP 7:





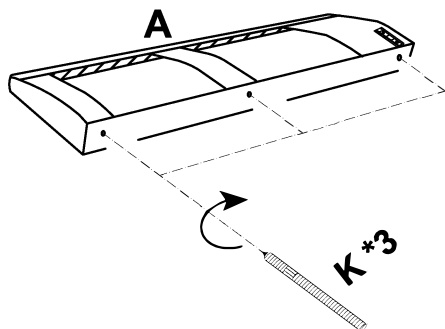
# ASSEMBLY INSTRUCTIONS

## Parts list:

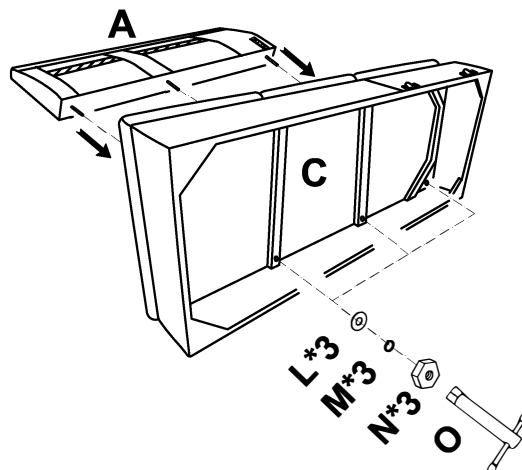
<b>A</b> BACK FRAME (1 PC) 	<b>B</b> BACK FRAME (1 PC) 	<b>C</b> SEAT FRAME (1 PC) 	
<b>D</b> BACK CUSHION (1 PC) 	<b>E</b> BACK CUSHION (1 PC) 	<b>F</b> BACK CUSHION (1 PC) 	<b>G</b> PILLOW (1 PC) 
<b>H</b> LEGS (4 PCS) 	<b>I</b> PLASTIC CAPS (4 PCS) 	<b>J</b> PLASTIC GASKETS (4 PCS) 	<b>K</b> THREADED RODS (4 PCS) 
<b>L</b> FLAT WASHERS (4 PCS) 	<b>M</b> LOCK WASHERS (4 PCS) 	<b>N</b> HEXAGON NUTS (4 PCS) 	<b>O</b> WRENCH (1 PC) 

# How to assemble:

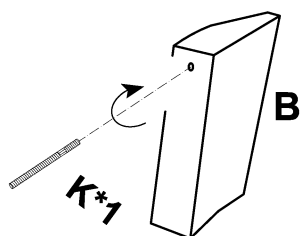
STEP 1:



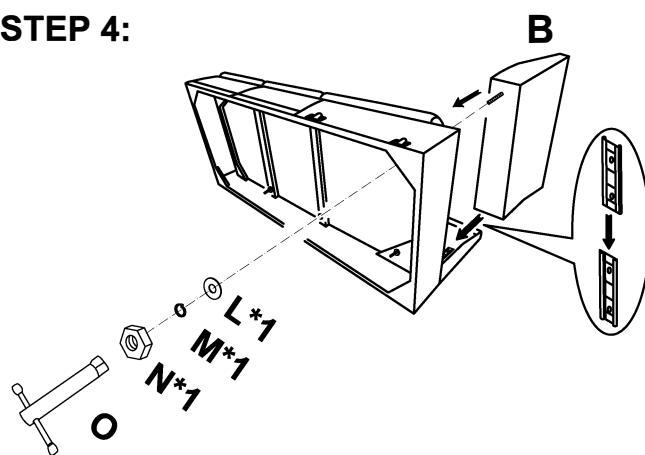
STEP 2:



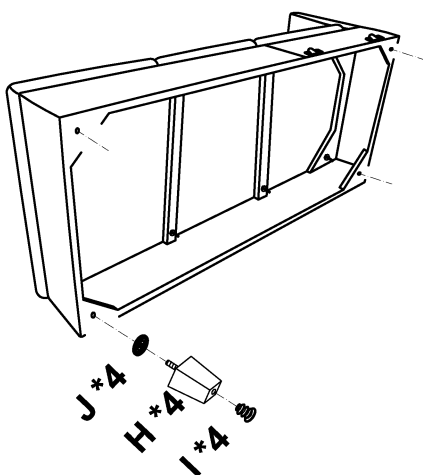
STEP 3:



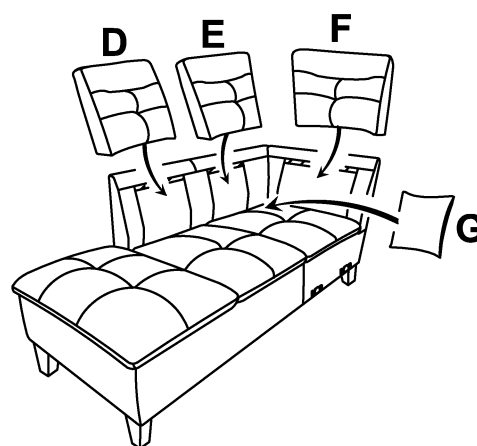
STEP 4:



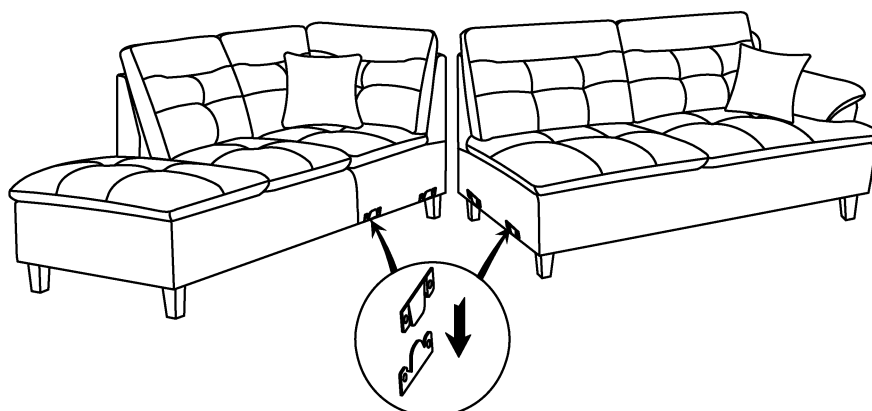
STEP 5:

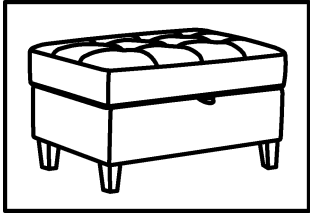


STEP 6:



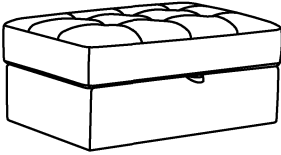
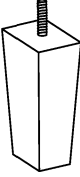
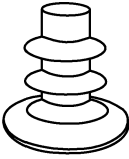
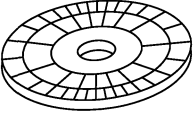
STEP 7:



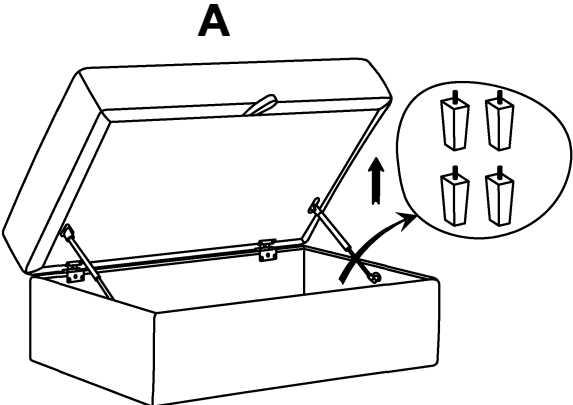
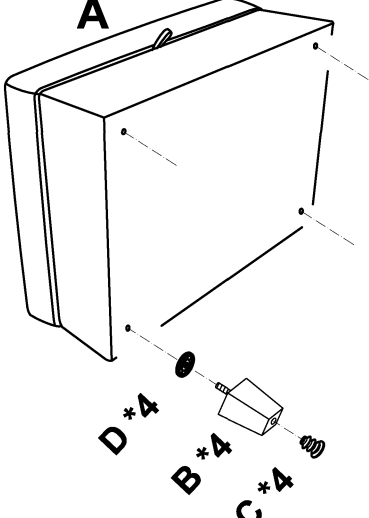


# ASSEMBLY INSTRUCTIONS

## Parts list:

A OTTOMAN (1 PC)	B LEGS ( 4 PCS )	C PLASTIC CAPS ( 4 PCS )	D PLASTIC GASKETS ( 4 PCS )
			

## How to assemble:

<p><b>STEP 1:</b></p> 	<p><b>STEP 2:</b></p> 
---	--

**STEP 3:**

