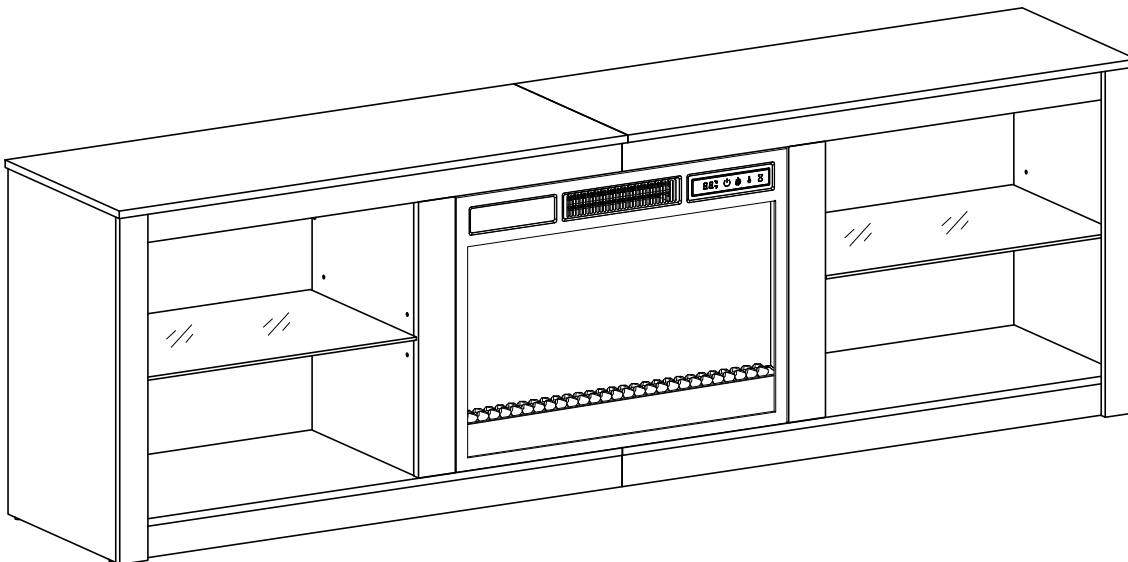


# Installation & Assembly

## 71" RGB TV Stand



## HELPFUL HINTS

### ⚠️ BEFORE YOU START

- Inspect product packaging to ensure the appearance is good.
- Read the assembly instruction carefully and follow it step by step.
- To avoid any scratching, putting a soft blanket on the floor is suggested.
- Identify, sort and count all the parts with tags.
- Find out installation position according to the drawing and install it in correct steps.



### OTHER

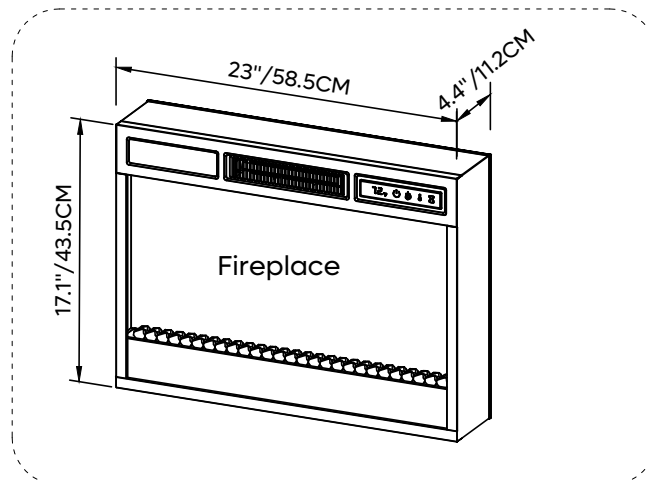
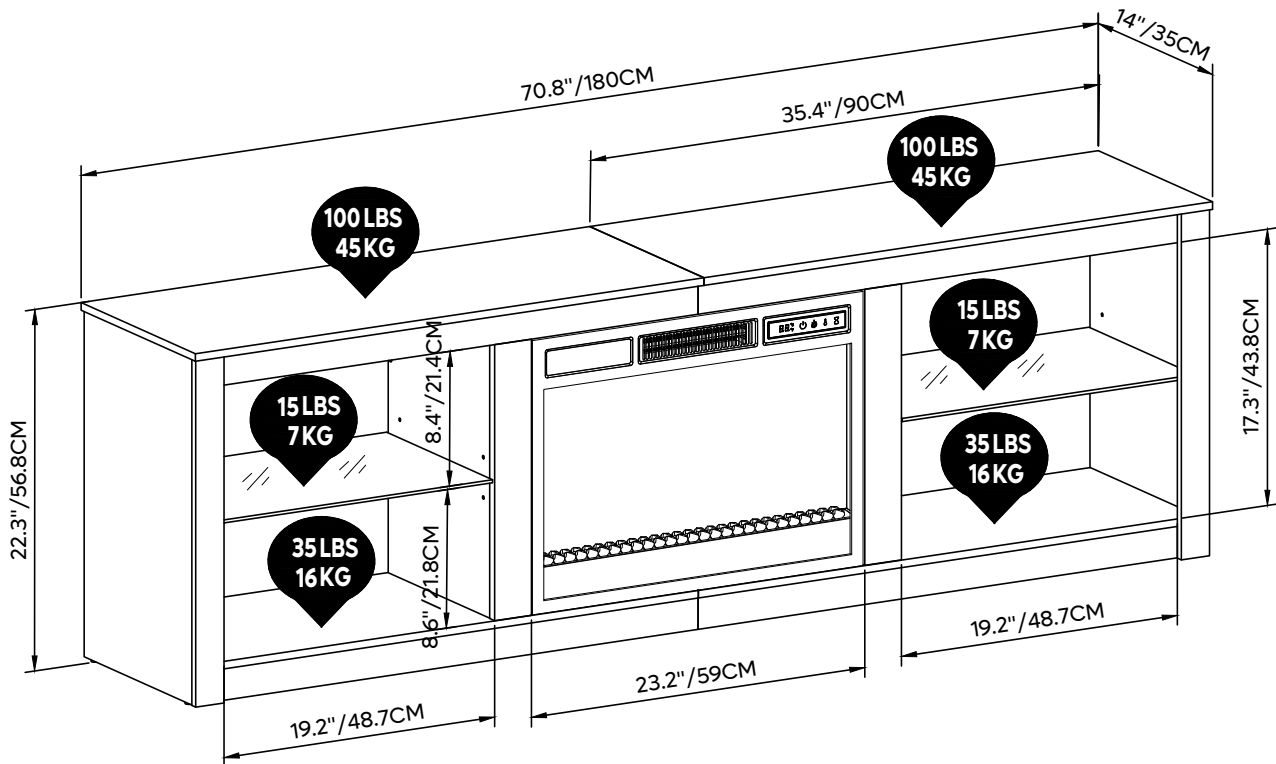
- People needed for assembly: 1-2.
- Estimated assembly time: 0.5-1h.

### ⚠️ CAUTION

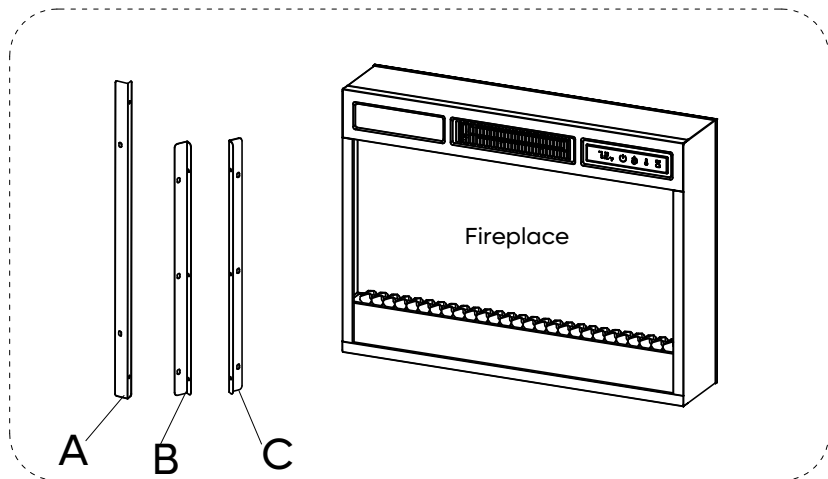
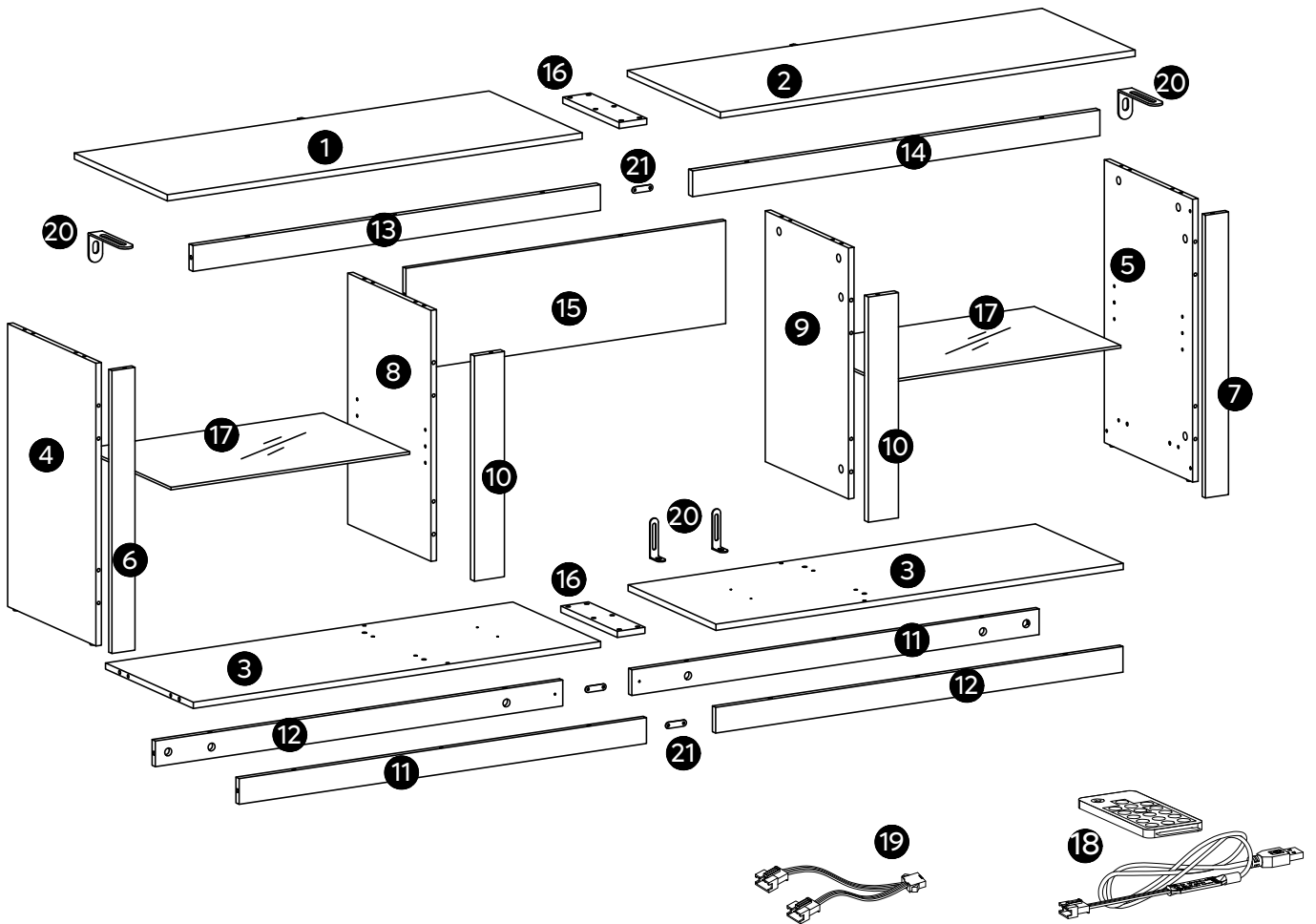
- Be cautious when using a power drill or power screwdriver.
- Please be aware to slow down and stop when screw is nearly tight.
- Do Not use any harsh chemicals or abrasive cleaners for this item.
- Push, pull or drag this item carefully.

## DETAILS

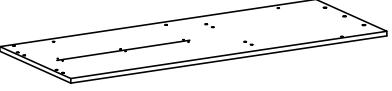
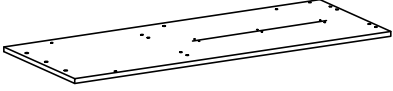
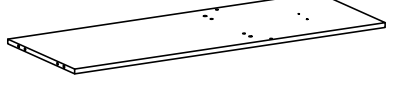
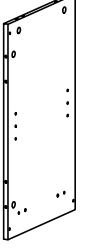
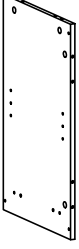


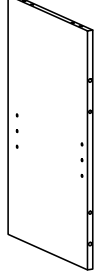
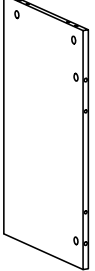





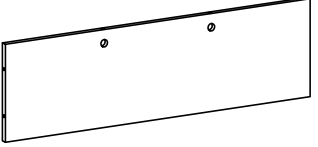
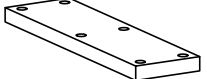

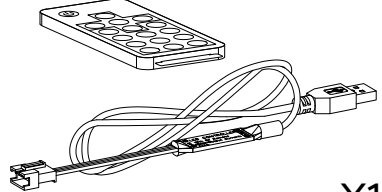
UNIT: INCH/CM



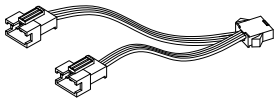
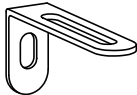

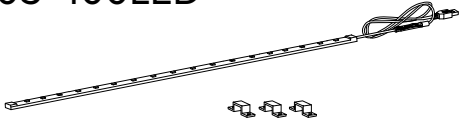
# DETAILS





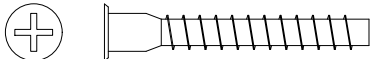

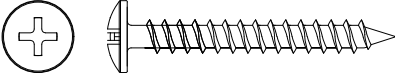
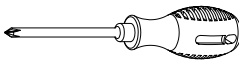

# PART LIST

<p><b>1</b></p>  <p>X1</p>	<p><b>2</b></p>  <p>X1</p>	<p><b>3</b></p>  <p>X2</p>
<p><b>4</b></p>  <p>X1</p>	<p><b>5</b></p>  <p>X1</p>	<p><b>6</b></p>  <p>X1</p>
<p><b>7</b></p>  <p>X1</p>	<p><b>8</b></p>  <p>X1</p>	<p><b>9</b></p>  <p>X1</p>
<p><b>10</b></p>  <p>X2</p>	<p><b>11</b></p>  <p>X2</p>	<p><b>12</b></p>  <p>X2</p>
<p><b>13</b></p>  <p>X1</p>	<p><b>14</b></p>  <p>X1</p>	<p><b>15</b></p>  <p>X1</p>
<p><b>16</b></p>  <p>X2</p>	<p><b>17</b></p>  <p>X2</p>	<p><b>18</b></p>  <p>X1</p>

# PART LIST

<p>19</p>  <p>X1</p>	<p>20</p>  <p>X4</p>	<p>21</p>  <p>X3</p>
<p>005-400LED</p>  <p>X2</p>		

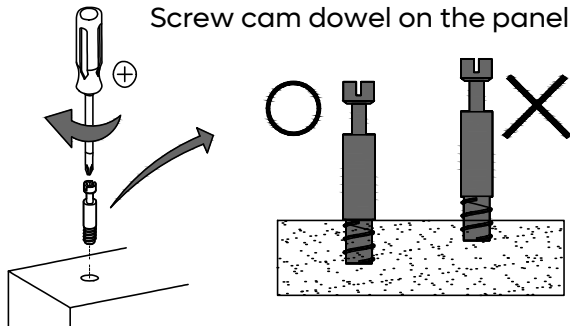
# ACCESSORY LIST

<b>A</b>	ST6x35mm	40+2	
<b>B</b>	Ø15mm	40+2	
<b>C</b>	Ø6x30mm	36+4	
<b>D</b>	M6x20mm	12+1	
<b>E</b>	ST5x35mm	8+1	
<b>F</b>	ST3.5x10mm	22+1	
<b>G</b>		8	
<b>H</b>	ST4x35mm	2	
<b>I</b>	Ø8mm	2	
		1	
	M4	1	

# Detailed Installation for Accessory A B

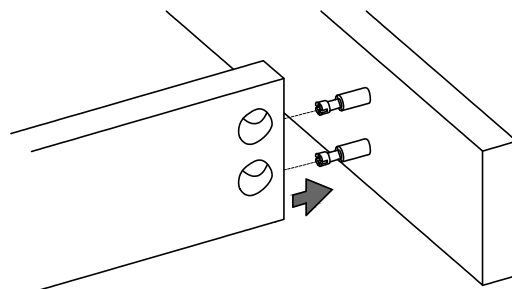
**1**

Screw cam dowel on the panel.



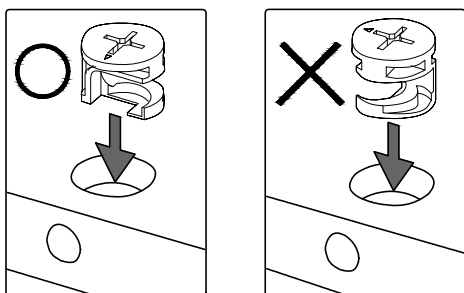
**2**

Place another panel via the dowel.



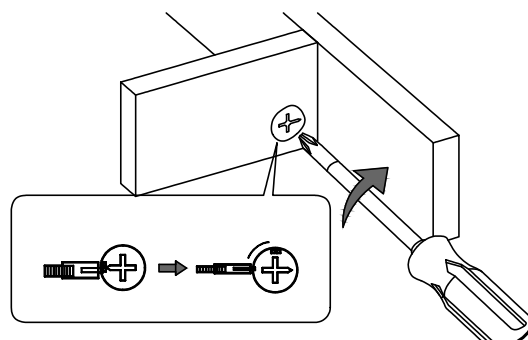
**3**

Pay attention to the direction of cam lock when putting it into hole.



**4**

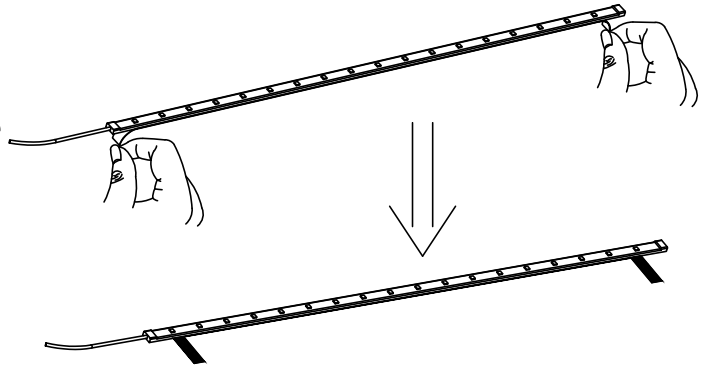
Tighten up cam lock clockwise until it stops.



# Detailed Installation for LED Strip

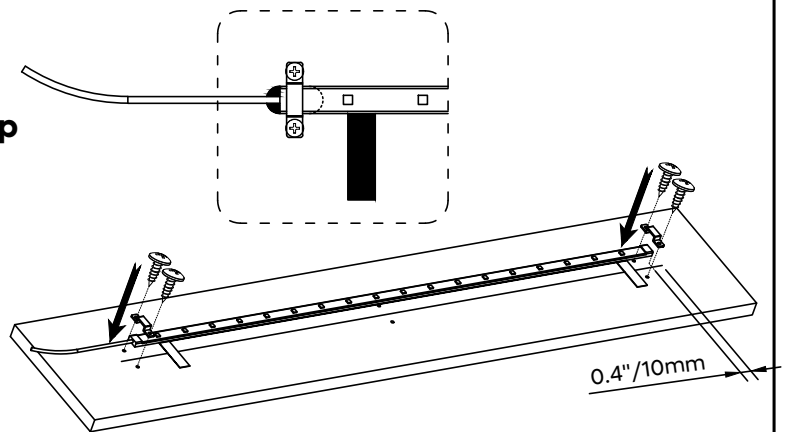
**1**

- Remove about 25mm (1") of adhesive tape at both ends of LED light strip.



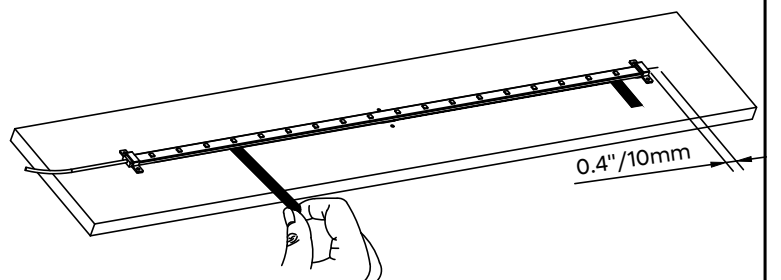
**2**

- The head and tail of the LED light strip are pasted in a straight line, and the fixing parts at both ends are locked with screws.



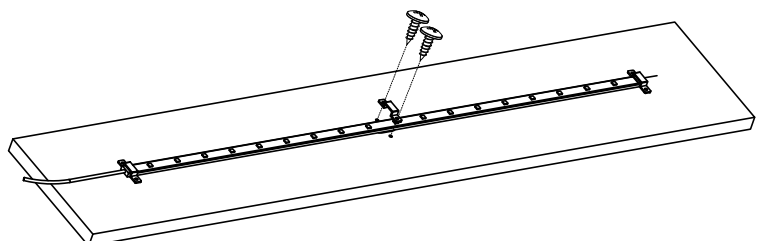
**3**

- Tear off the whole protective paper, and flatten the strip light so that the LED light strip is completely adhered to the wood.

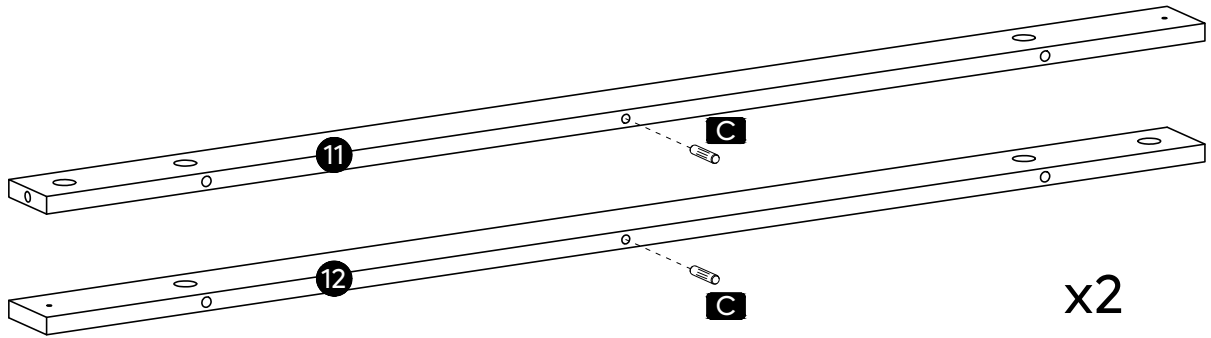


**4**

- Lock the remaining fixings.



1



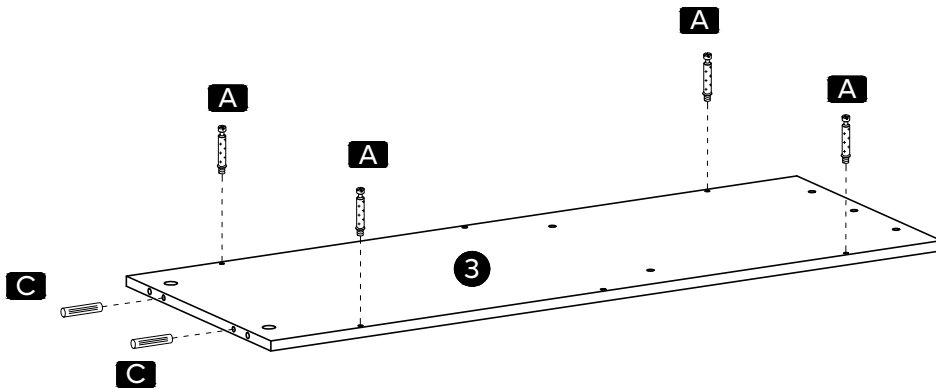
x2



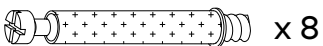
x 4

**C** Ø6x30mm

2

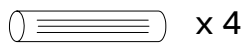


x2



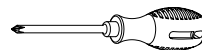
x 8

**A** ST6x35mm

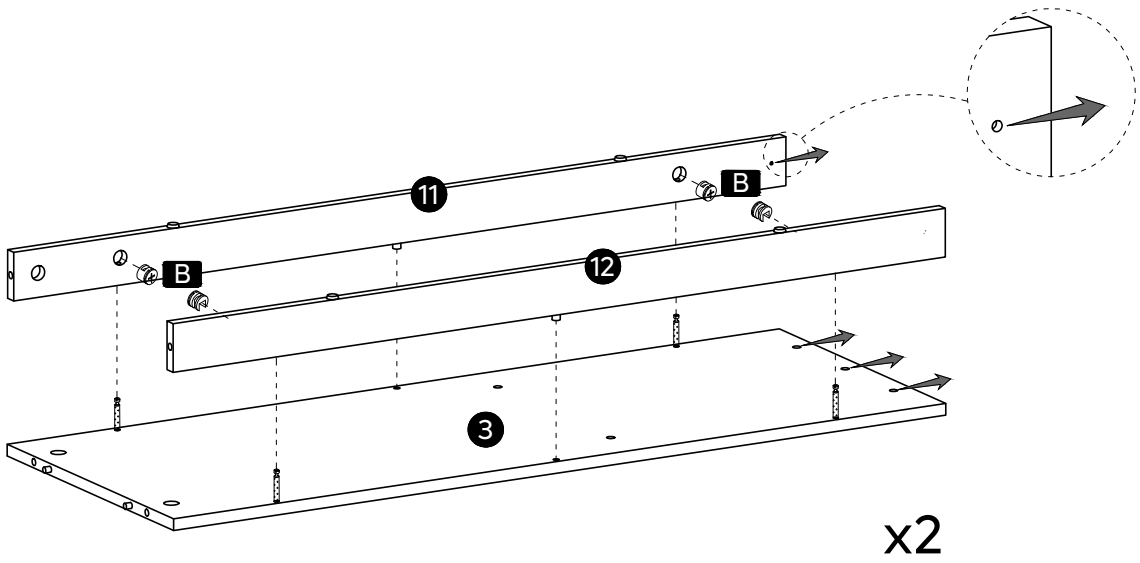


x 4

**C** Ø6x30mm

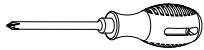


### 3

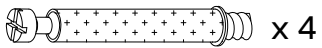
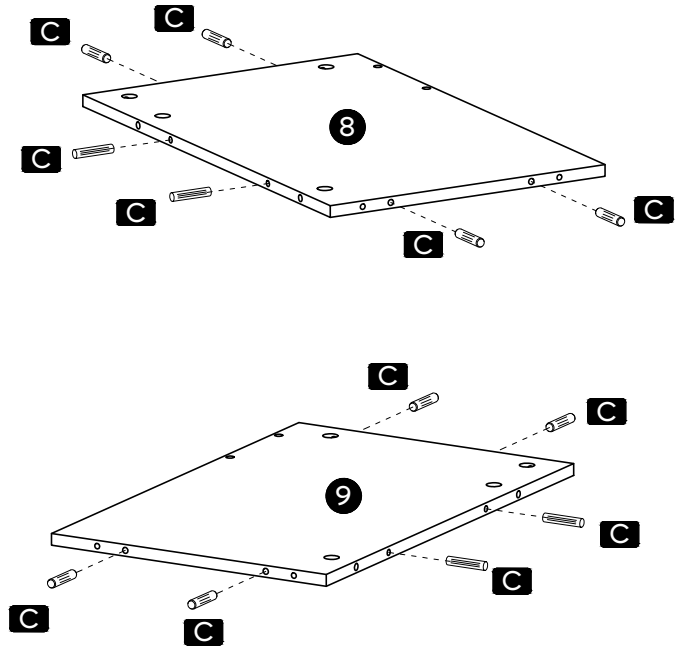
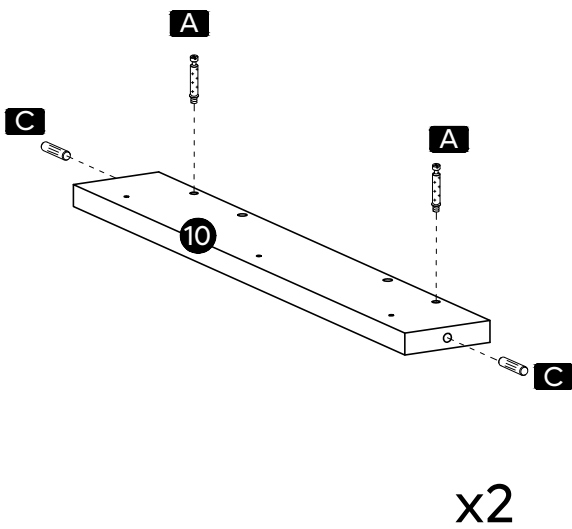


x 8

**B** Ø15mm

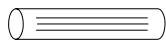


### 4



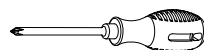
x 4

**A** ST6x35mm

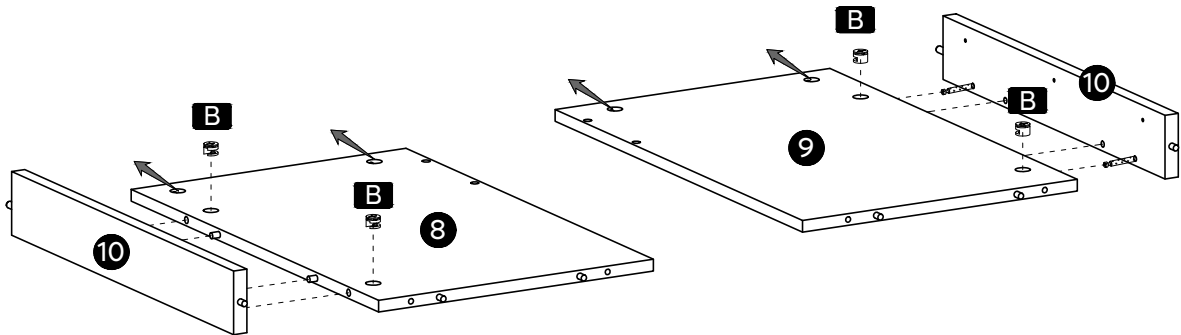



x 16

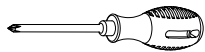
**C** Ø6x30mm



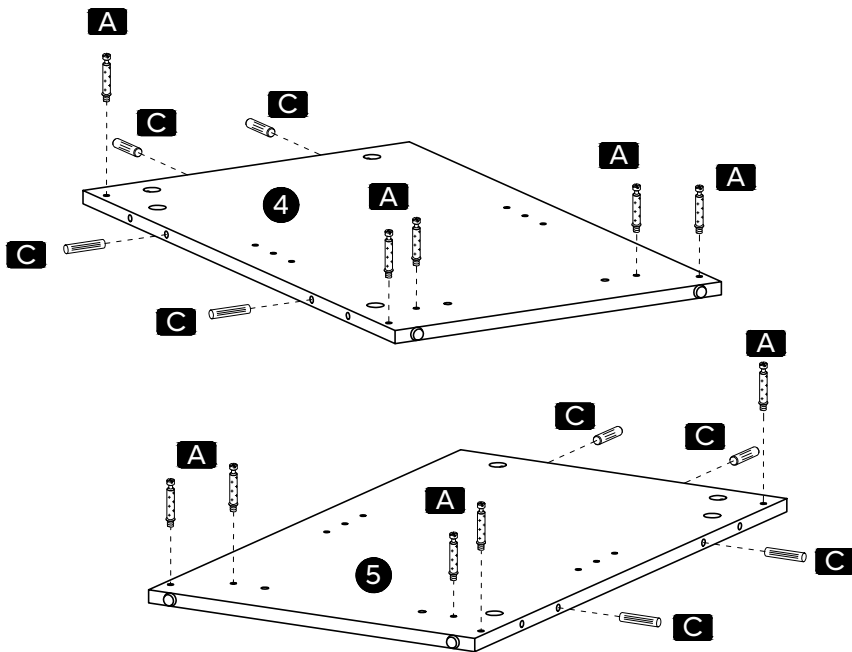
# 5

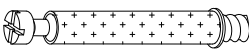


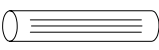
 x 4  
**B** Ø15mm

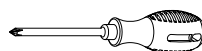


# 6



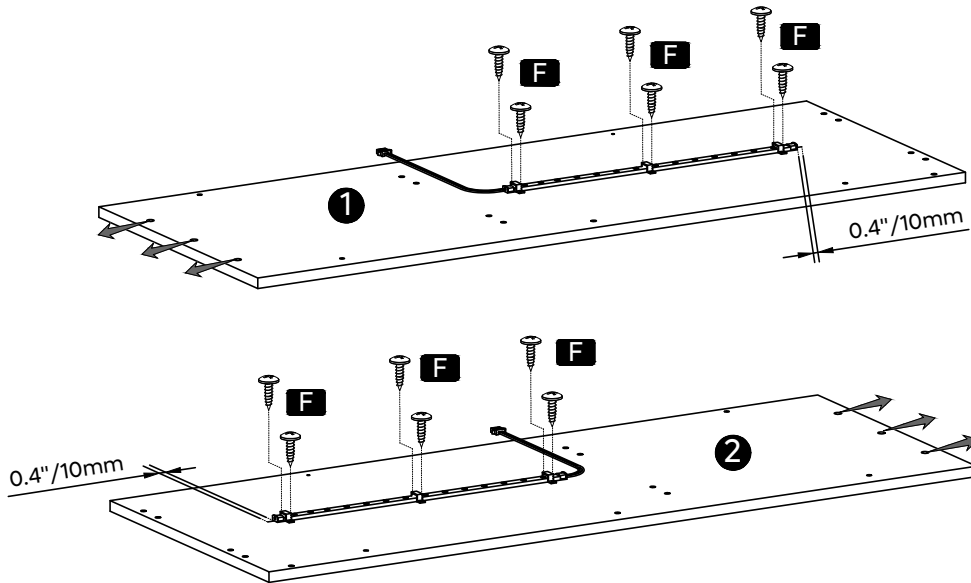
 x 10  
**A** ST6x35mm

 x 8  
**C** Ø6x30mm

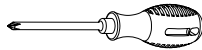


# 7

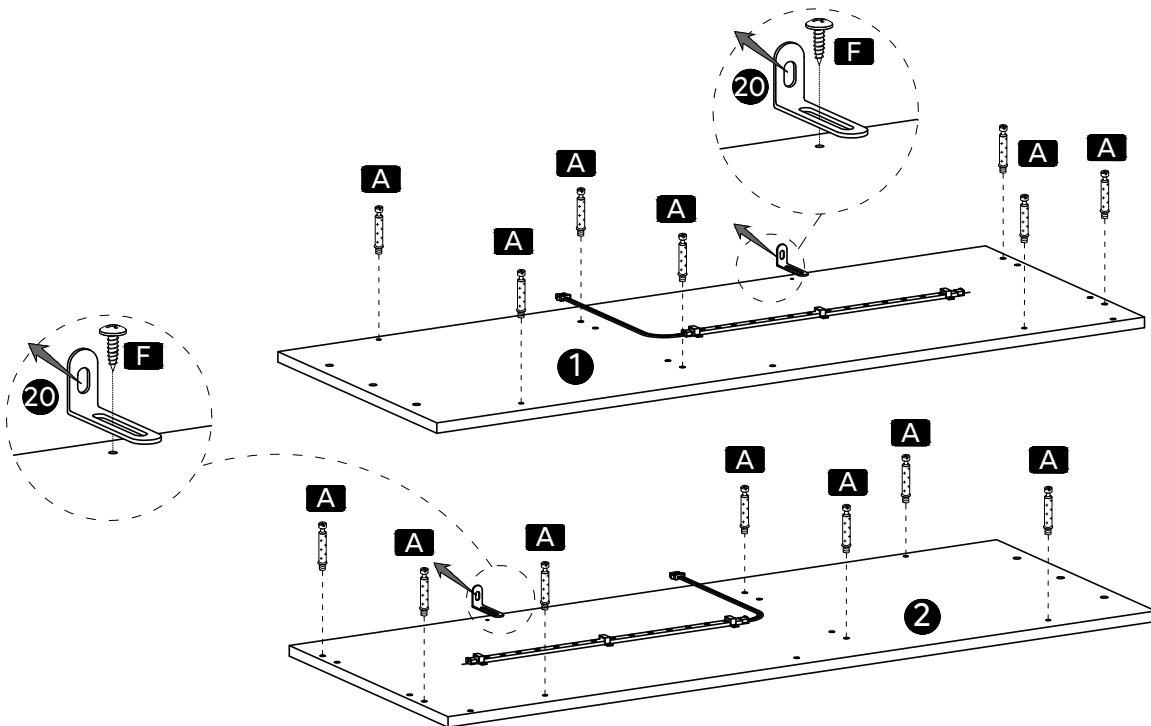
• Please refer to "Detailed Installation for LED Strip" on page "7".

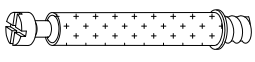


 x 12  
**F** ST3.5x10mm

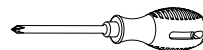


# 8

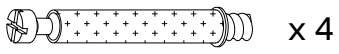
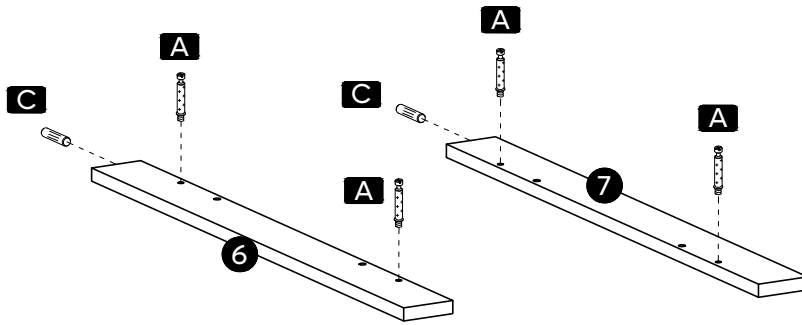


 x 14  
**A** ST6x35mm

 x 2  
**F** ST3.5x10mm

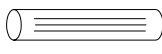


# 9



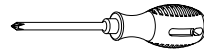
x 4

**A** ST6x35mm

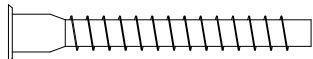
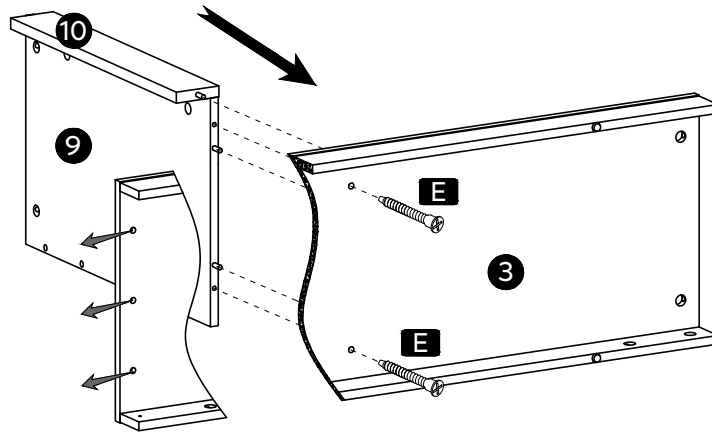


x 2

**C** Ø6x30mm



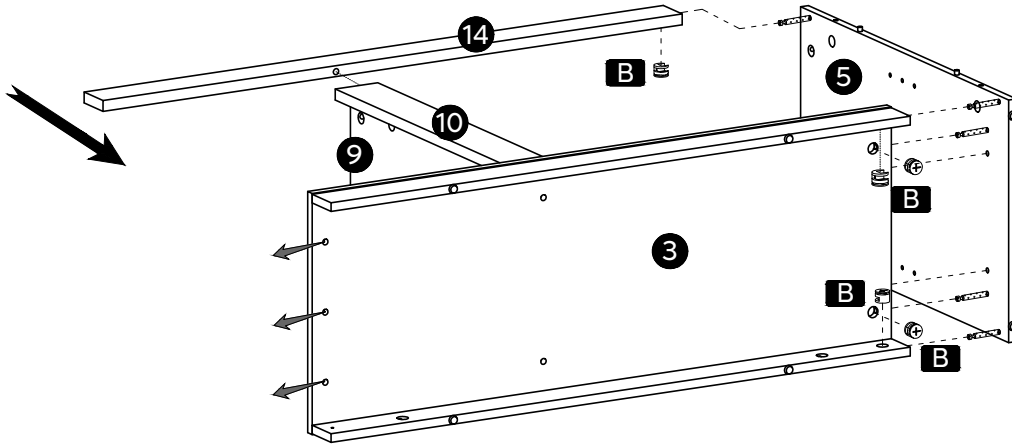
# 10



**E** ST5x35mm

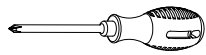
x 2

11

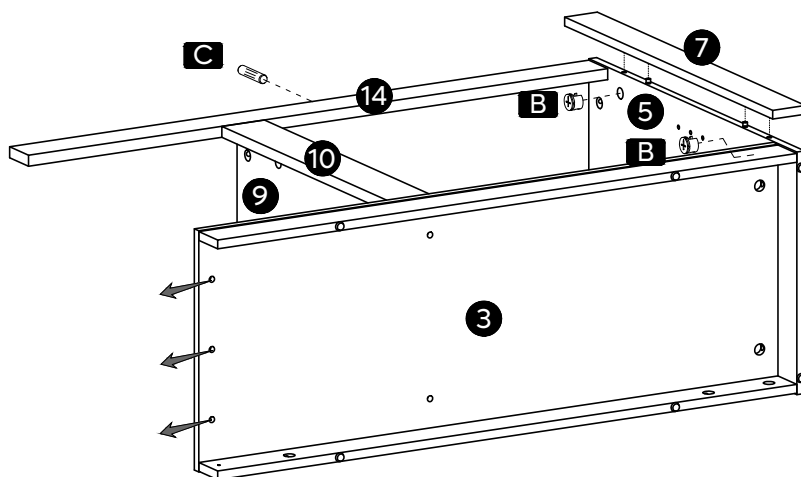


x 5

**B** Ø15mm

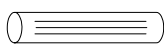


12



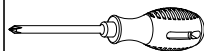
x 2

**B** Ø15mm

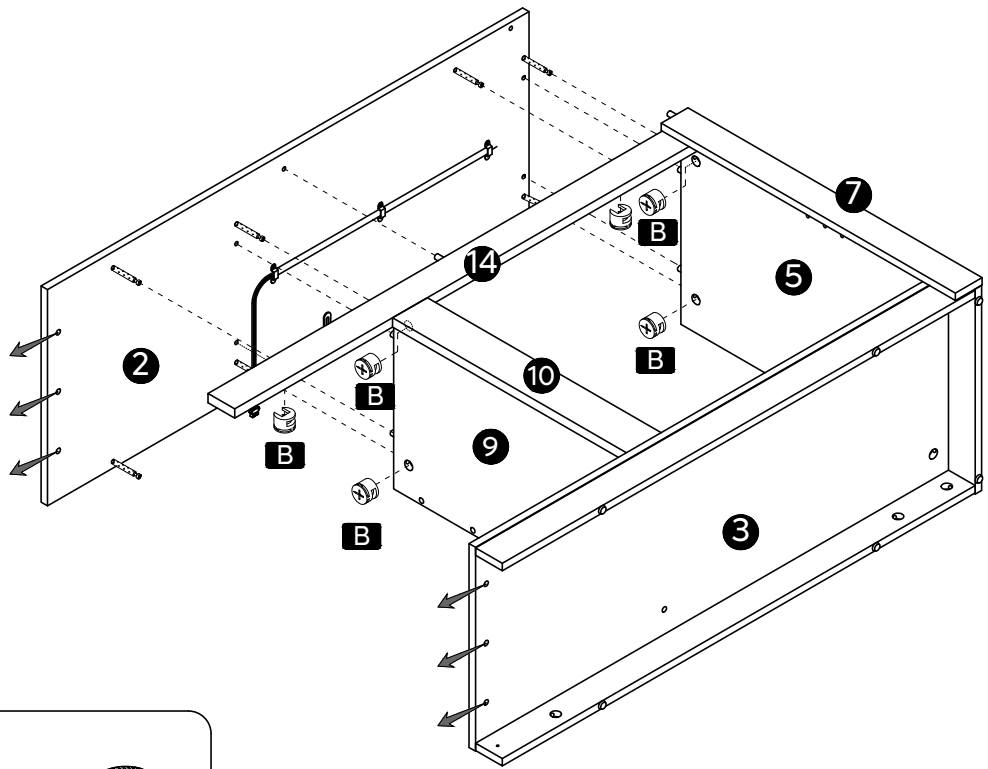


x 1

**C** Ø6x30mm

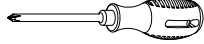


# 13

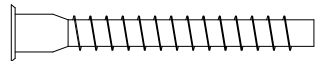
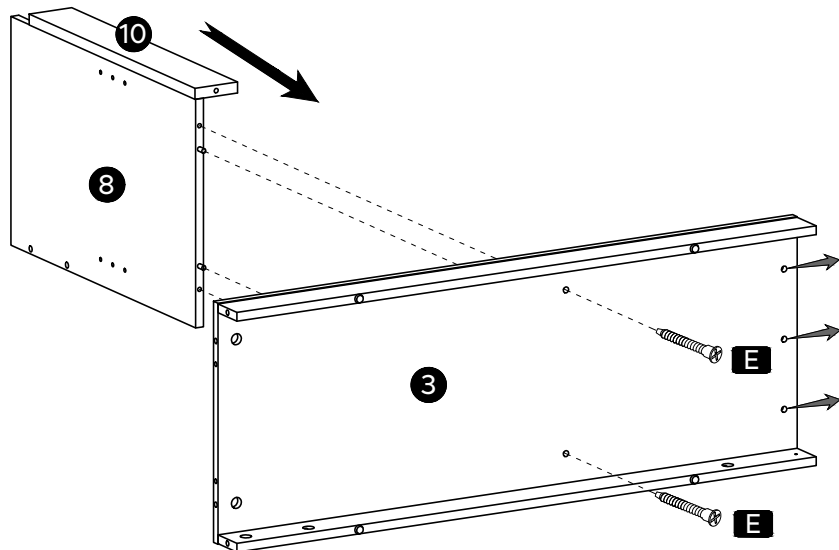


x 6

**B** Ø15mm



# 14

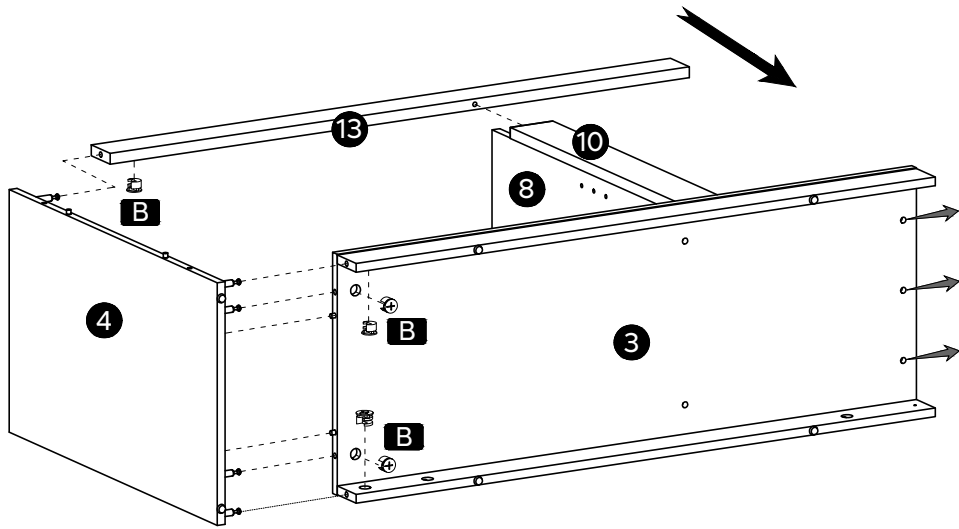


**E**

ST5x35mm

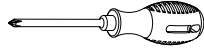
x 2

15

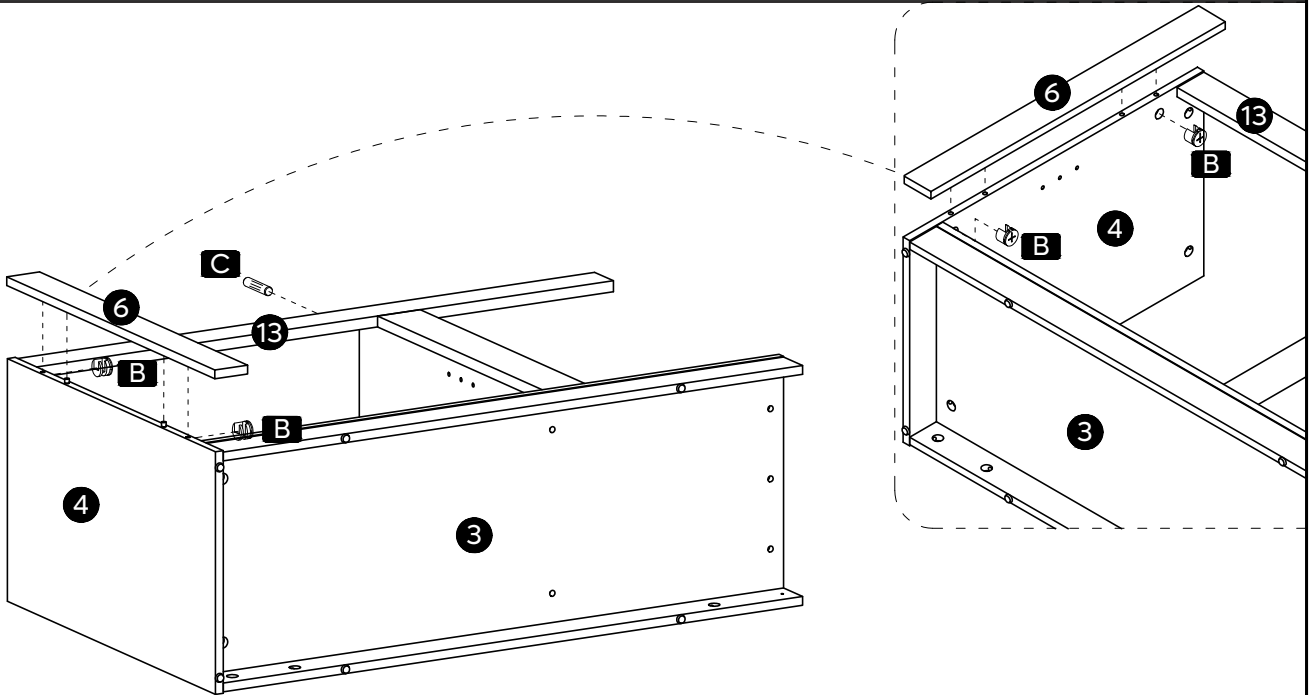


x 5

**B** Ø15mm

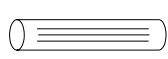


16



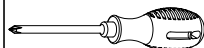
x 2

**B** Ø15mm

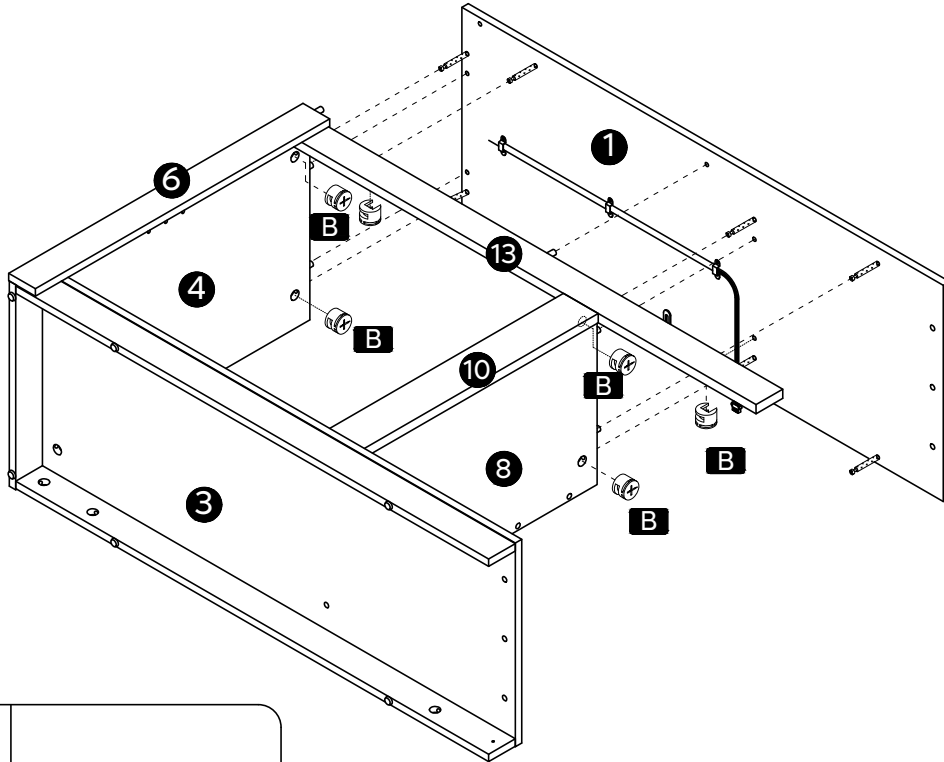


x 1

**C** Ø6x30mm

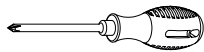


17

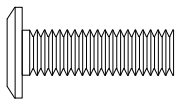
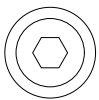
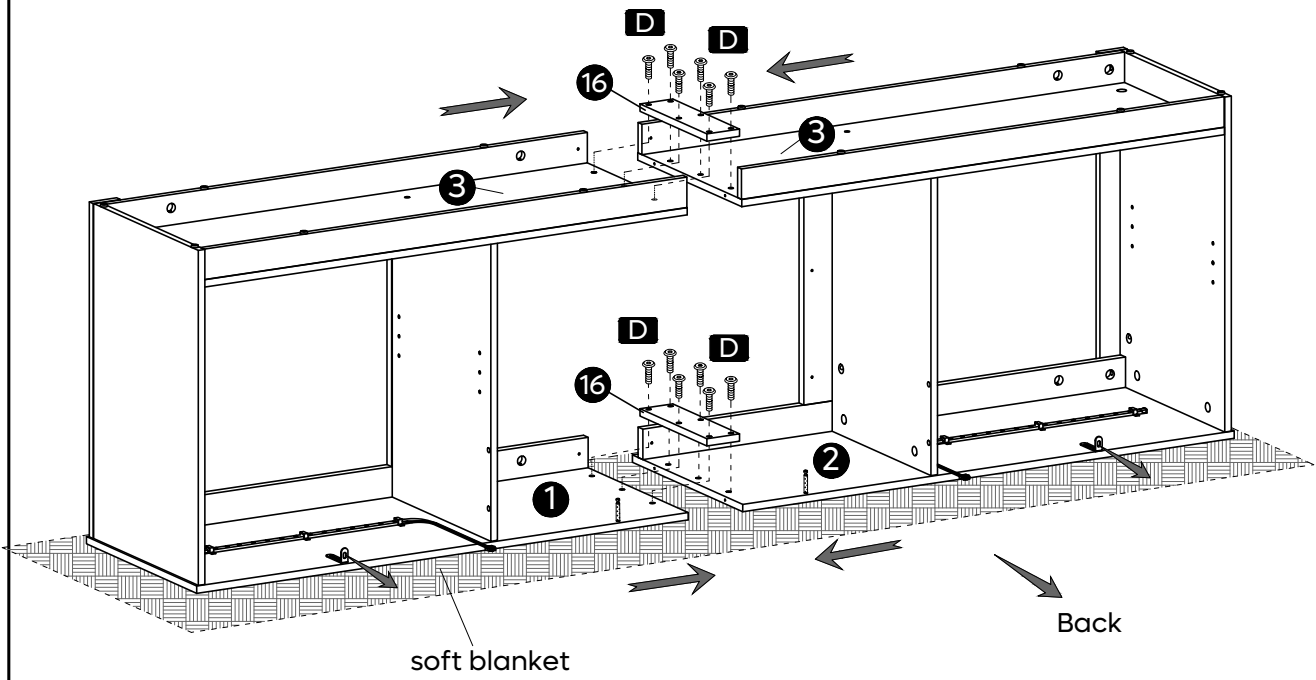


x 6

**B** Ø15mm



18



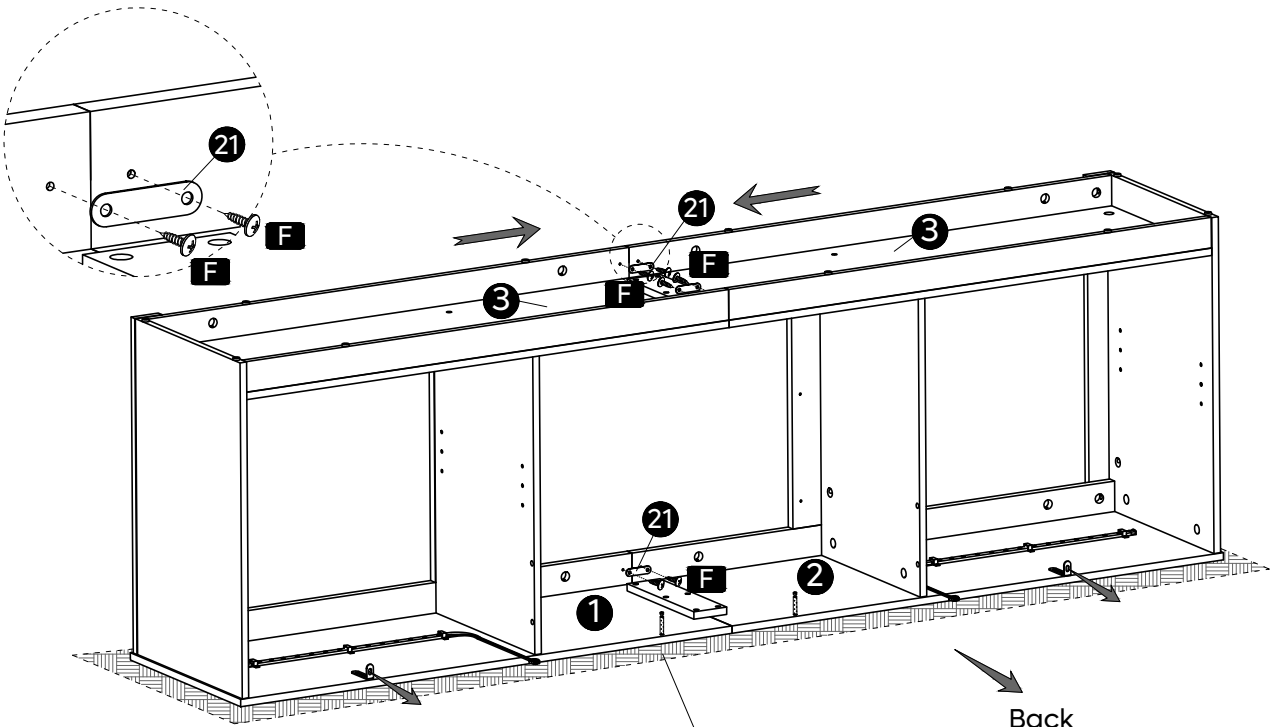
x 12


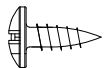
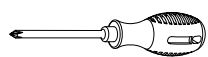
**D** M6x20mm



16

# 19




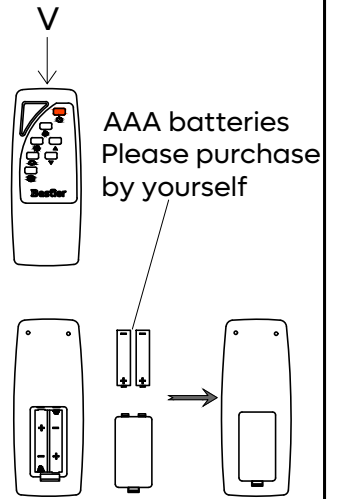
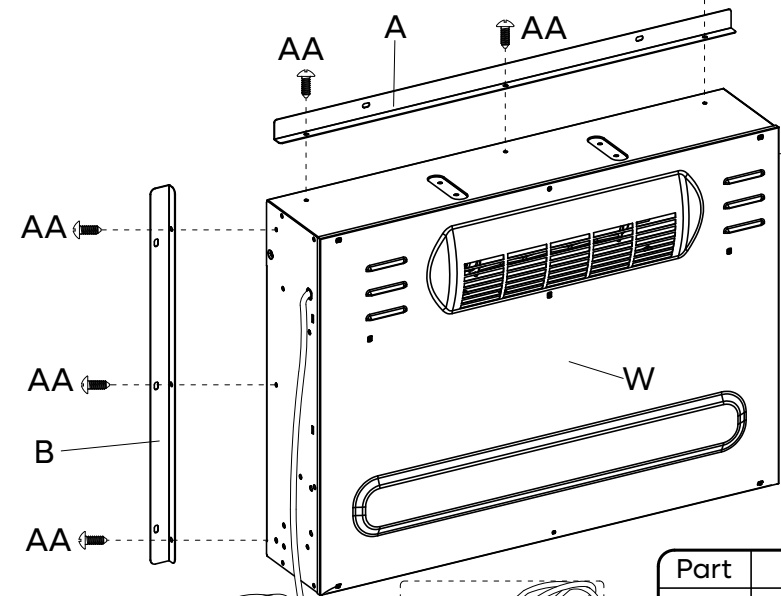


 x 6  
**F** ST3.5x10mm
 

soft blanket

Back

# 20

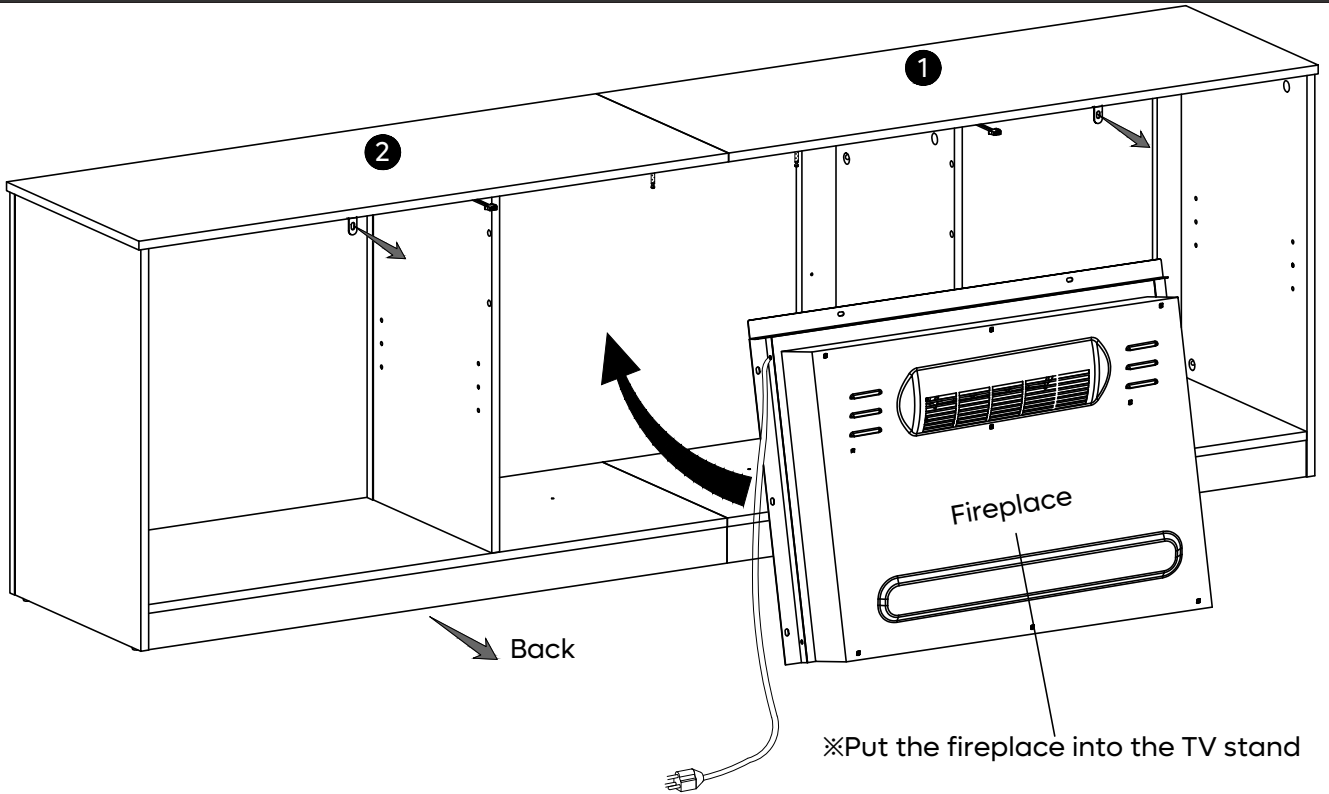
※please refer to the fireplace assembly installation 



package include:

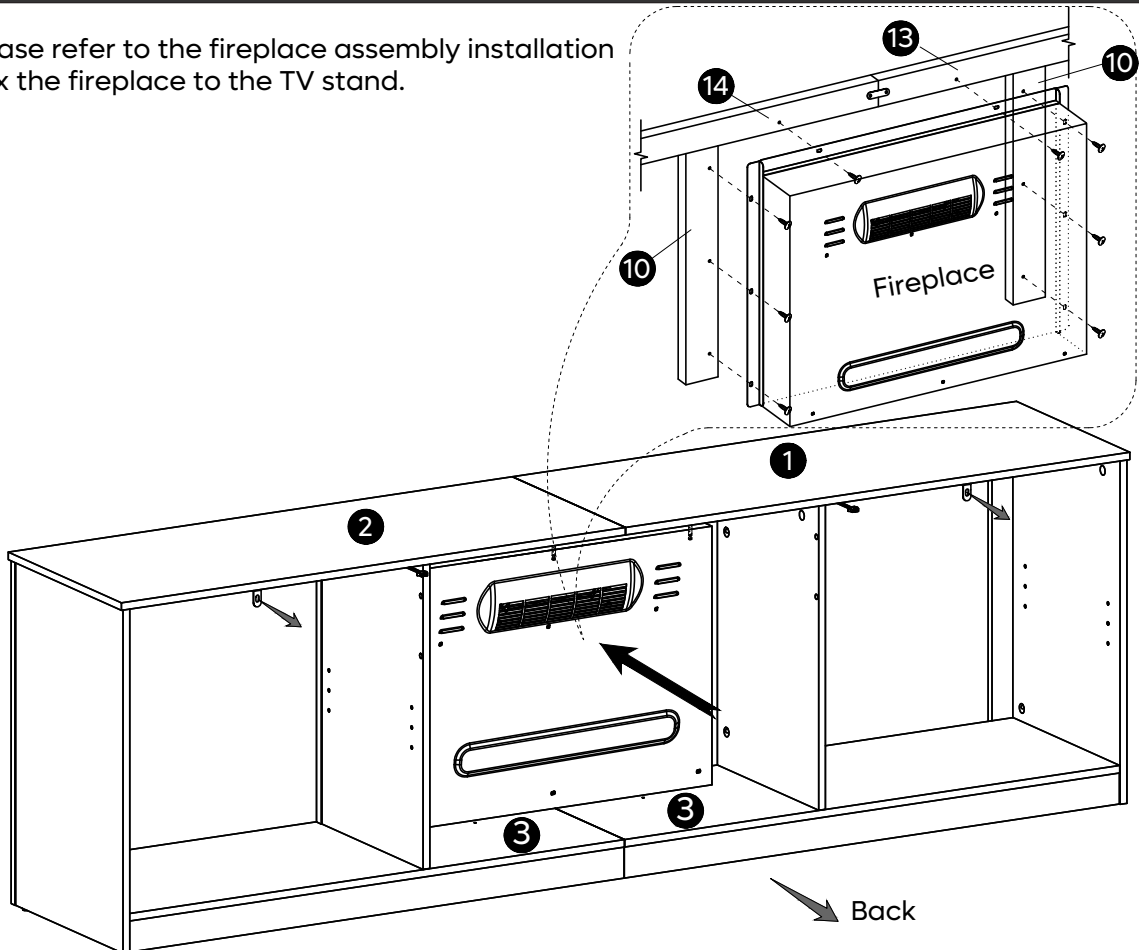
Part	Description	Quantity
V	Remote Control	1
W	Fireplace Insert	1
A	Top Side Trim	1
B	Left Side Trim	1
C	Right Side Trim	1
AA	TM4x6mm	9+1

21

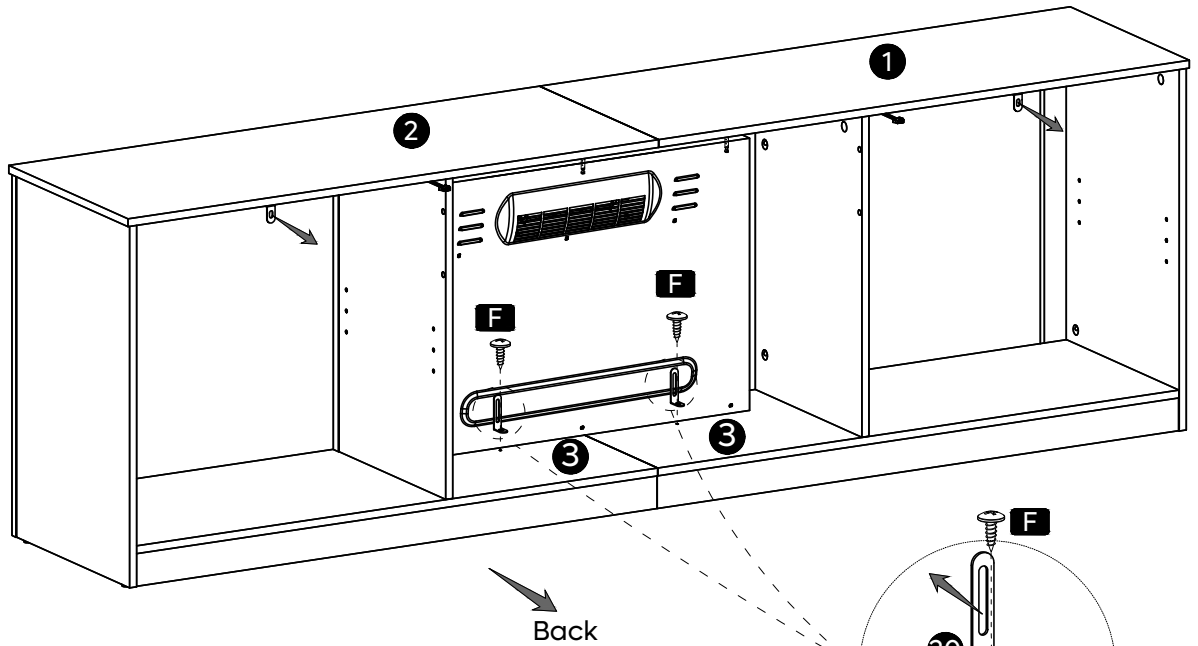


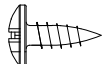
22

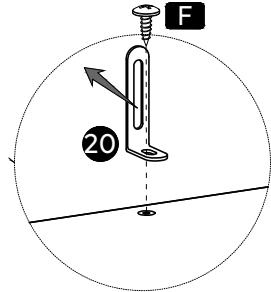
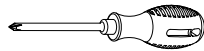
※please refer to the fireplace assembly installation to fix the fireplace to the TV stand.



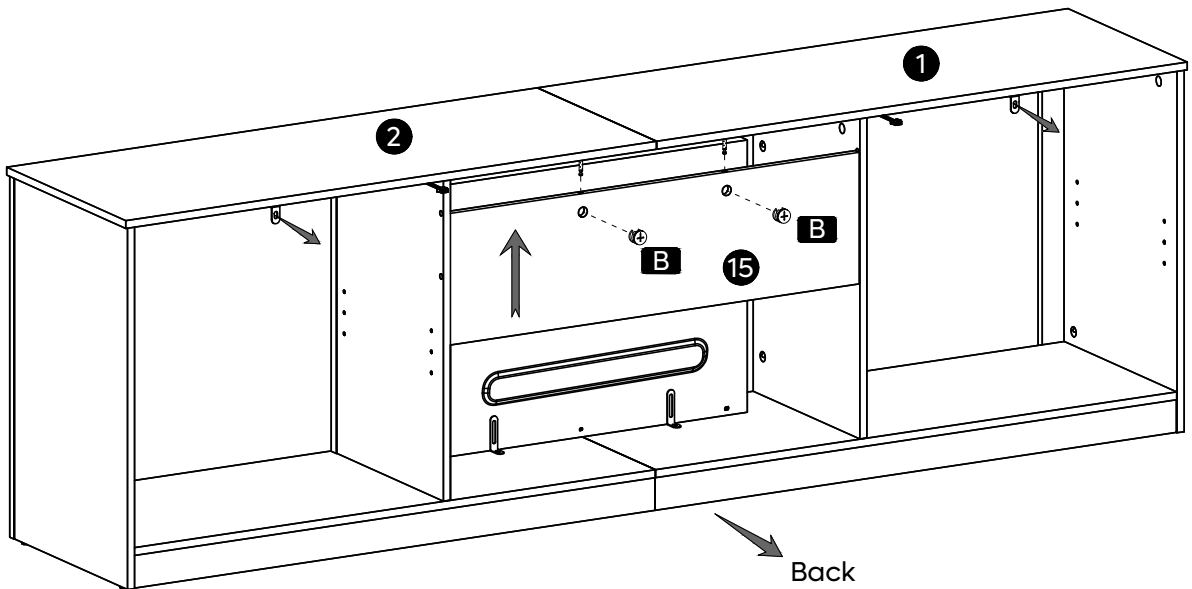
# 23




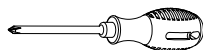


 x 2  
**F** ST3.5x10mm



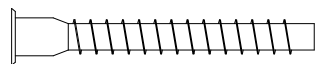
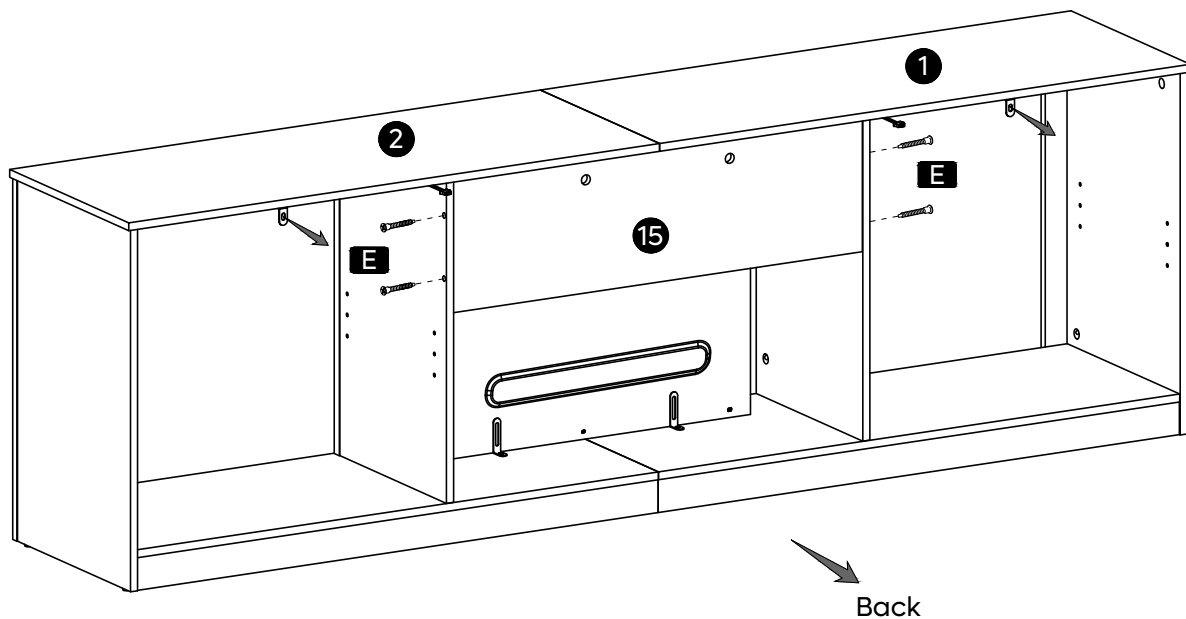
# 24




 x 2  
**B** Ø15mm

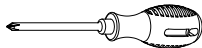


# 25

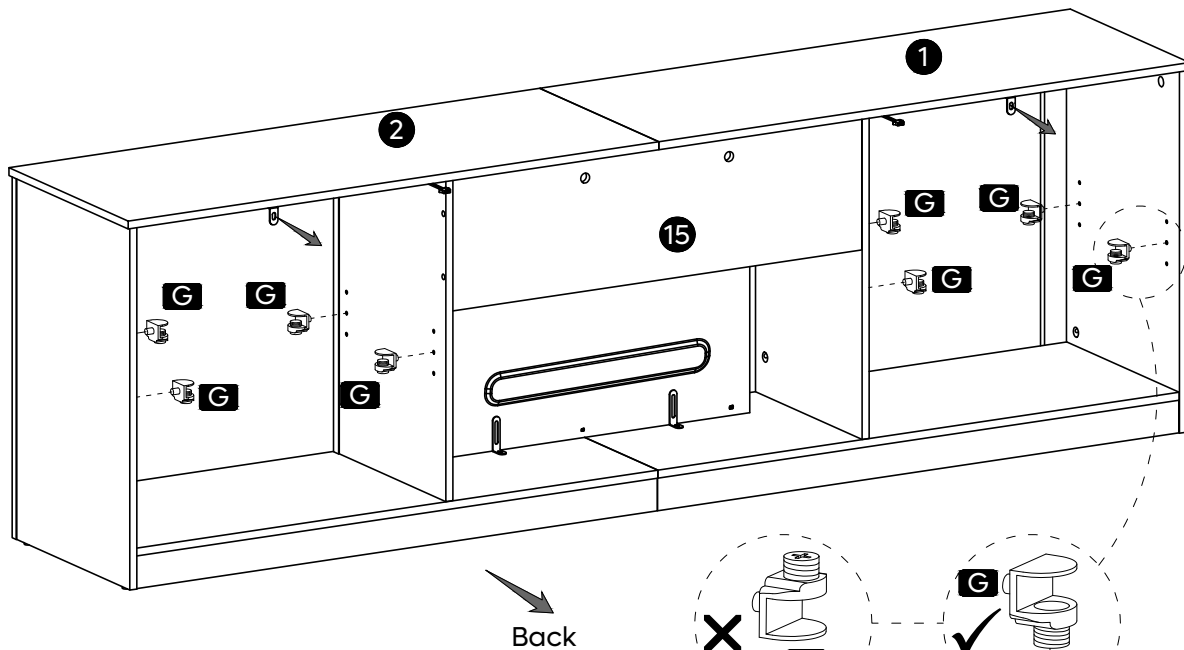


**E**

ST5x35mm x 4

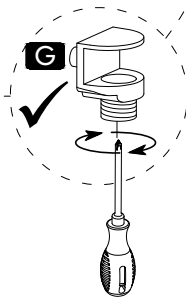
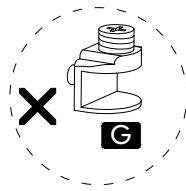
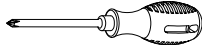


# 26

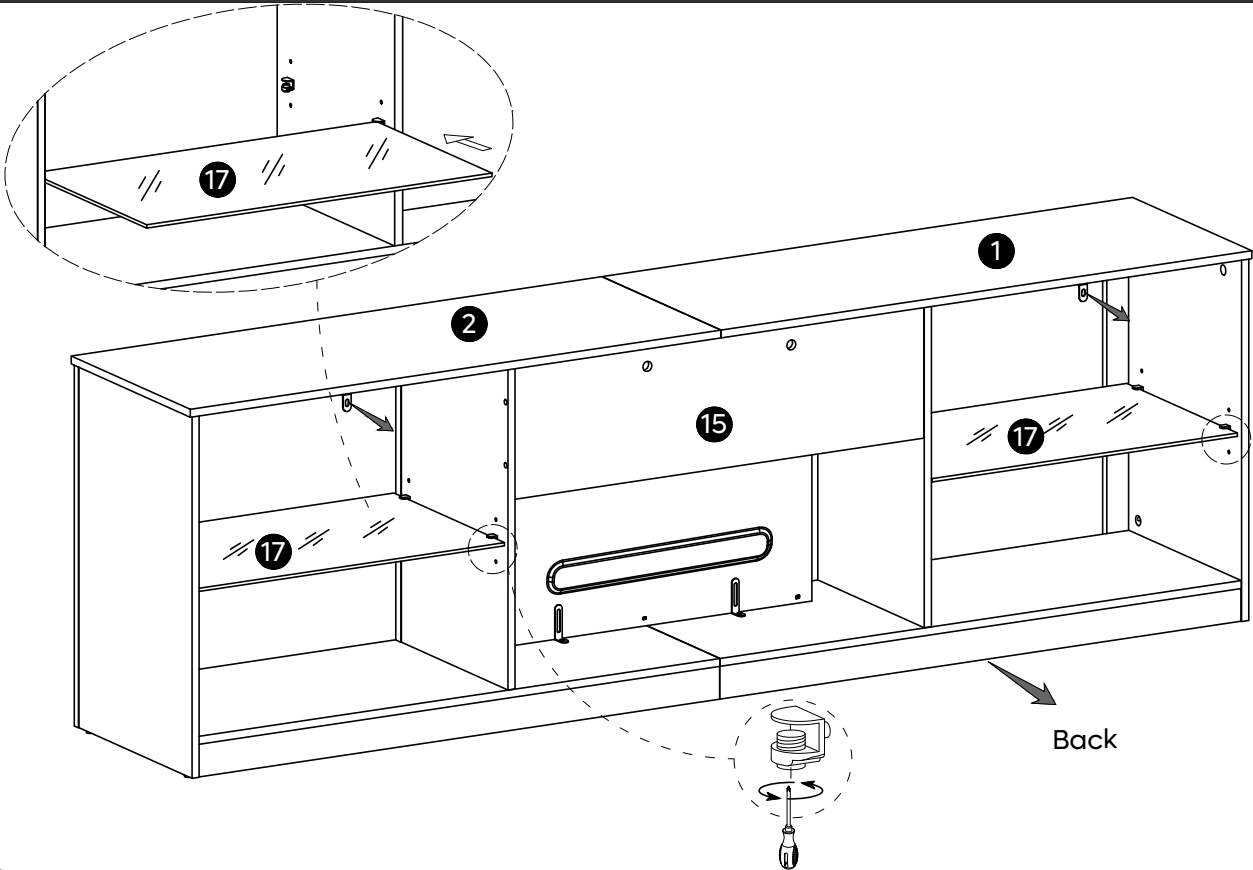


x 8

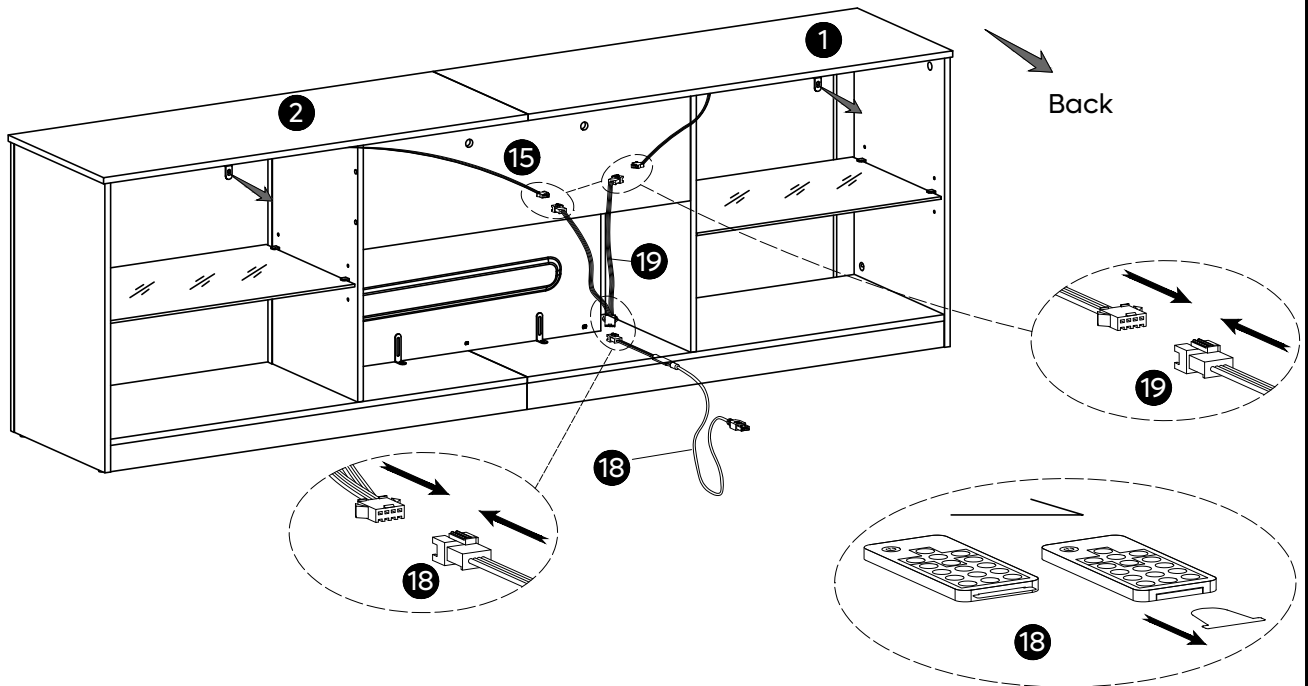
**G**



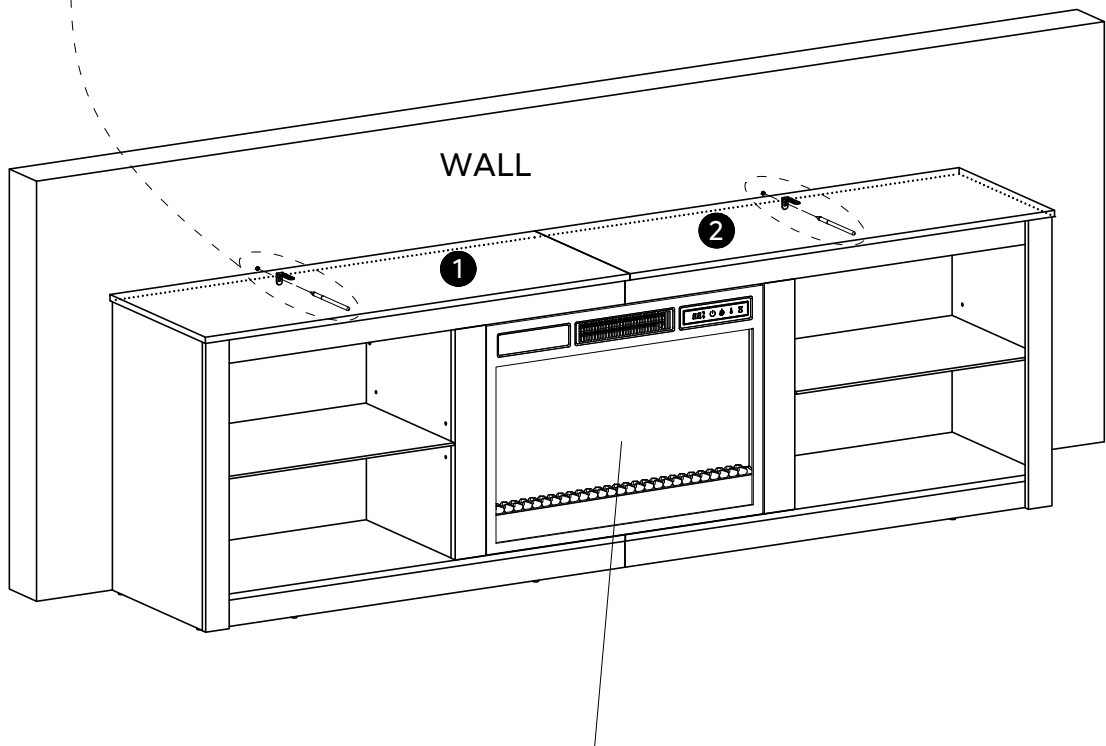
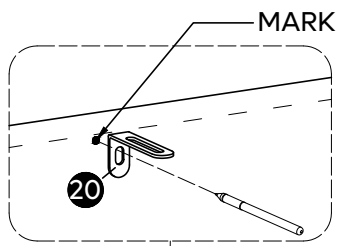
27



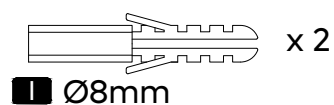
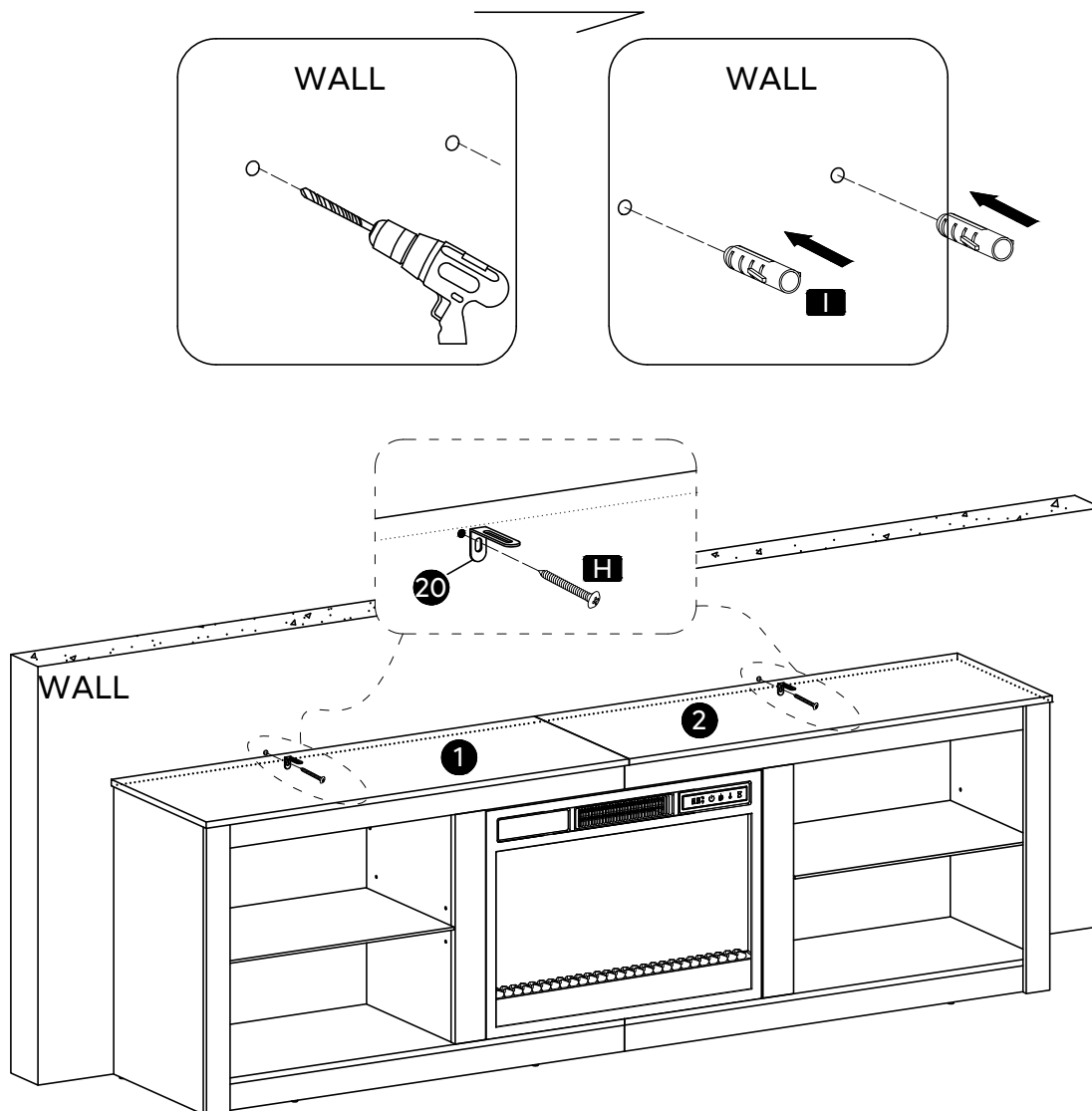
28



Take out the insulator before using the remote control.



※please refer to the fireplace assembly installation to operate the fireplace .



※ Please fasten this item to wall for protection and safety.

1. Drill 2 holes in the wall and insert "I" into holes.

※ You may need to use rubber mallet for tapping "I" .

2. Use "H" to attach "I" with 20 .