










# Assembly Instructions

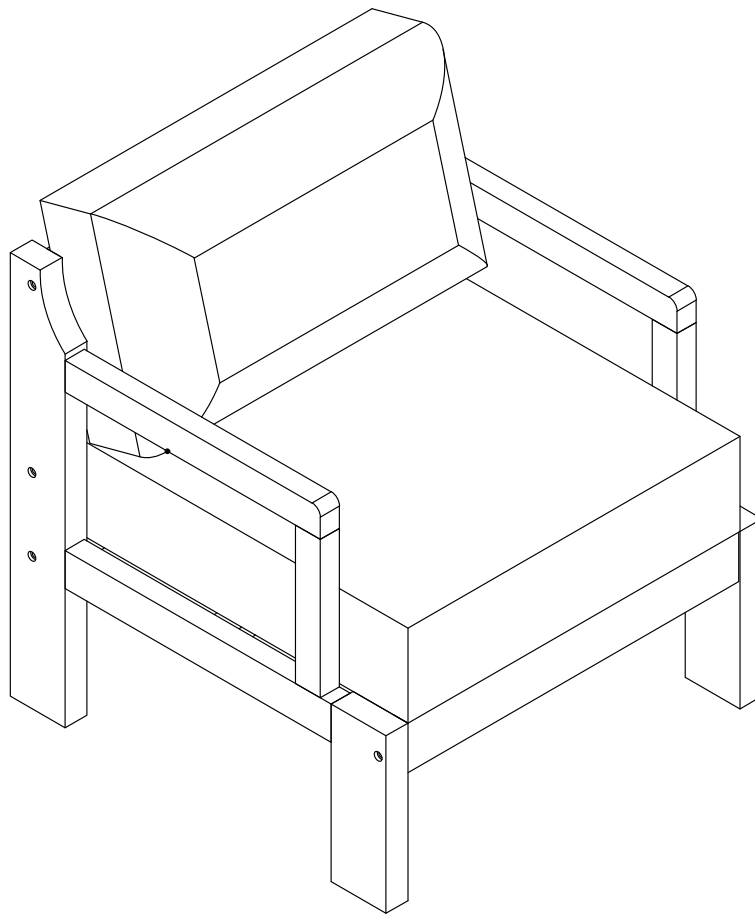
**Caution: You must read these Assembly Instructions before you proceed**

## Care & Maintenance

-  • Do not put hot items directly on furniture surface.
-  • Do not clean furniture with harsh cleansers or polish.
-  • To obtain the longest lifespan of your outdoor product minimizing exposure to direct sunlight is recommended.
-  • Children should not climb or jump on the furniture.
-  • Do not write on furniture without a padded barrier to protect the surface.
-  • To obtain the longest lifespan of your outdoor products, avoid extended and lengthy exposure to rain, snow, and direct sunshine. Whenever possible cover the product and /or place under patio or awnings.
-  • Not for commercial use. For residential use only.
-  • Stains may be removed with mild soap solution and damp cloth.
-  • Dust and pick-up spills using a clean, non-colored, lint- free cloth.

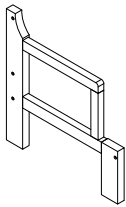
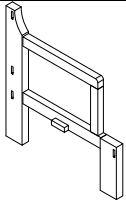
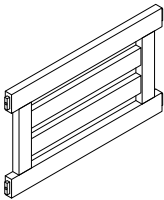
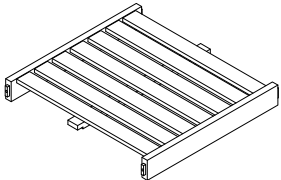
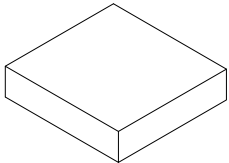
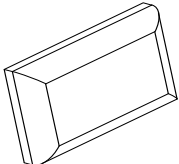
Please look in the Seat Panel for hardware packs.

## AMRCHAIR



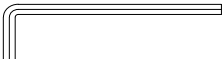


**Caution:** This Armchair is NOT a TOY.  
Keep your child / children at bay during the assembly process.  
Whenever lifting or moving the Armchair and to prevent any damage to it,  
two adults may be needed to execute these actions.

# Part List

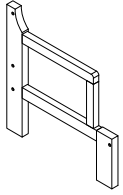
Label	Picture	Description	Qty
A		Left Arm Panel	1
B		Right Arm Panel	1
C		Backrest Panel	1
D		Seat Panel	1
E		Seat Cushion	1
F		Back Cushion	1

# Hardware

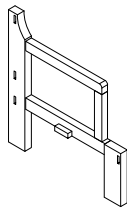
No.	Picture	Description	Qty
①		Screw (M7x70mm)	9
②		Button	9
③		Allen Wrench	1

# Assembly Preparation

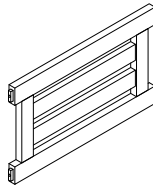
Before Beginning Assembly:



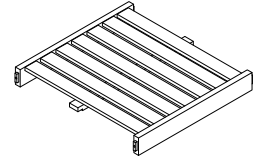
Ax1



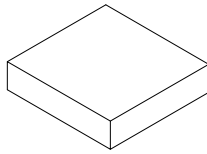
Bx1



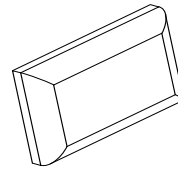
Cx1





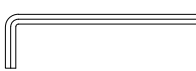
Dx1



Ex1



Fx1

- ①  x9
- ②  x9
- ③  x1



- Read instructions, cover to cover-



- Have 2 adults on hand for assembly-



- Do not assemble on flooring or carpet-

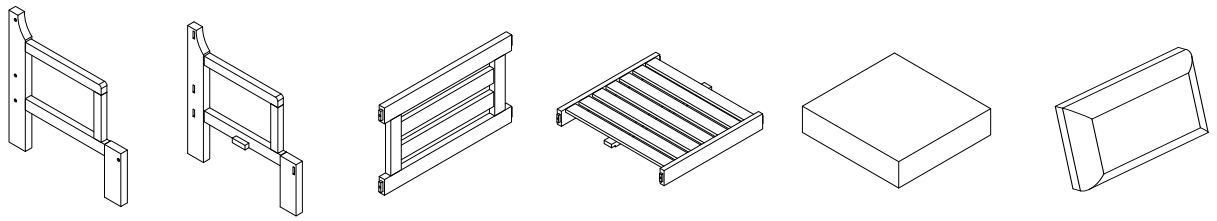


- Assemble on a clean non-marring surface (packing foam)-



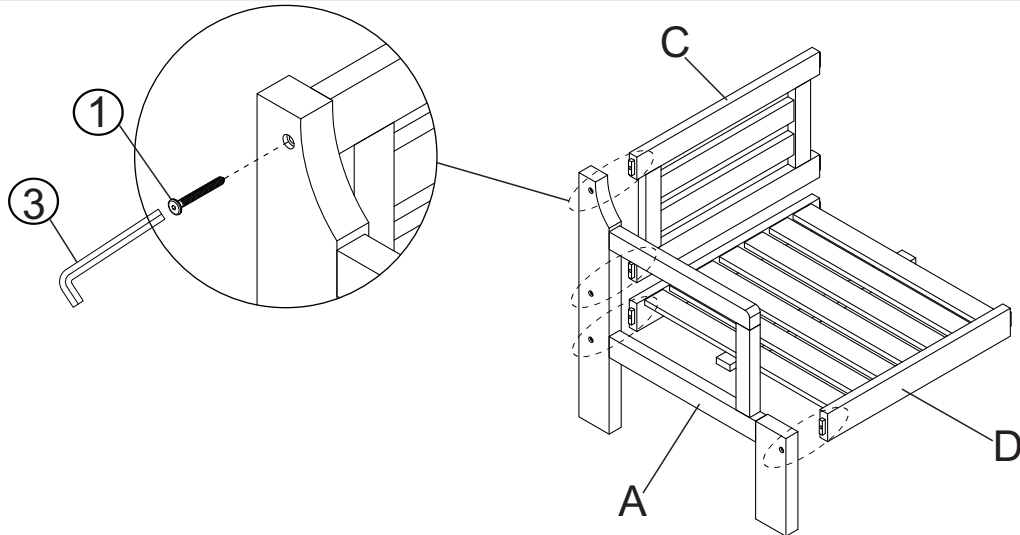
- Save all packaging until finished-

## Step 1



Unpack and place all parts on a clean, non-marring surface.

## Step 2

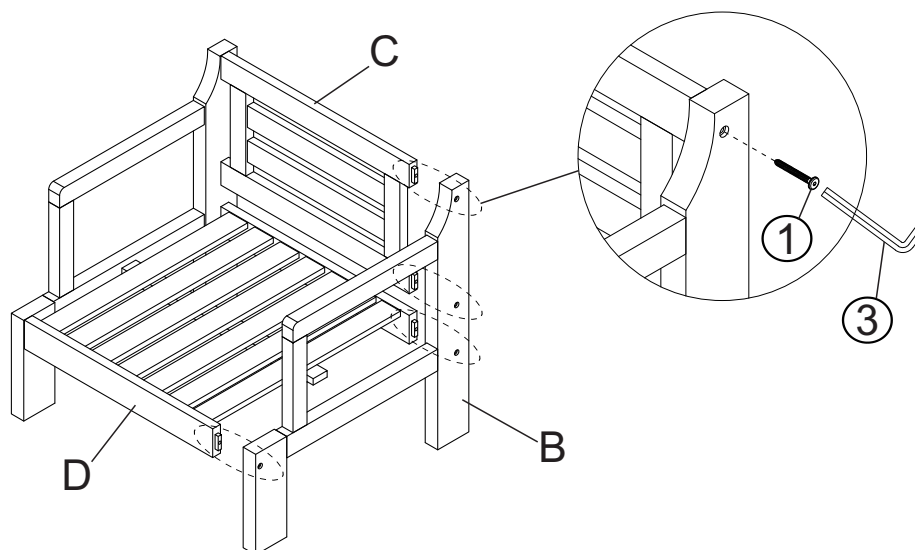


Place the Left Arm Panel (A) upright as shown in the picture above onto a clean, soft surface to avoid any scratches or damage to the product.

2. Attach Left Arm Panel (A) to the Backrest Panel (C) and Seat Panel (D) using Screw (1) with Allen Wrench (3).

**Do not fully tighten the Screws.**

## Step 3

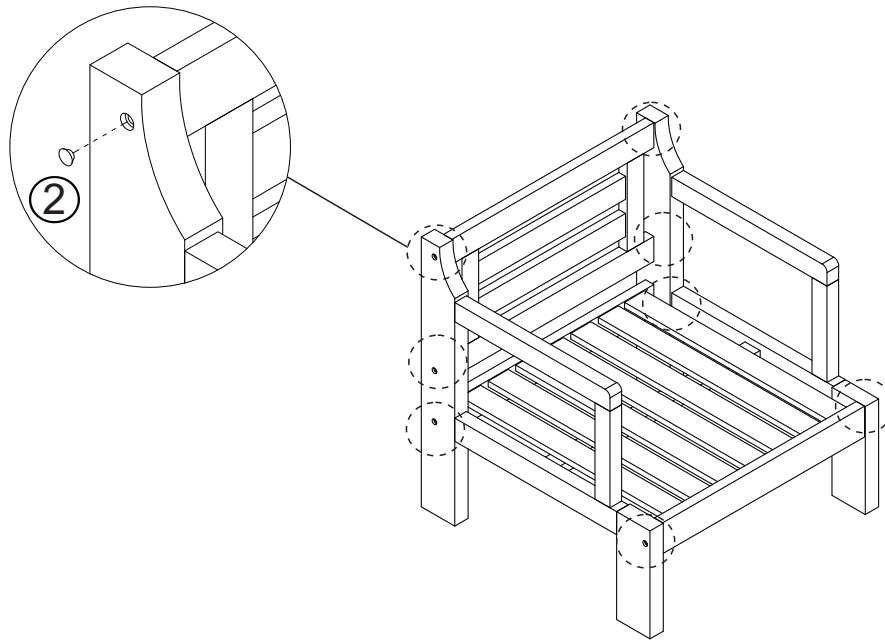


With assistance from your adult partner(s), attach the Right Arm Panel (B) to the assembled parts in Step 2:

3. Attach Right Arm Panel (B) to the Backrest Panel (C) and Seat Panel (D) using Screw (1) with Allen Wrench (3).

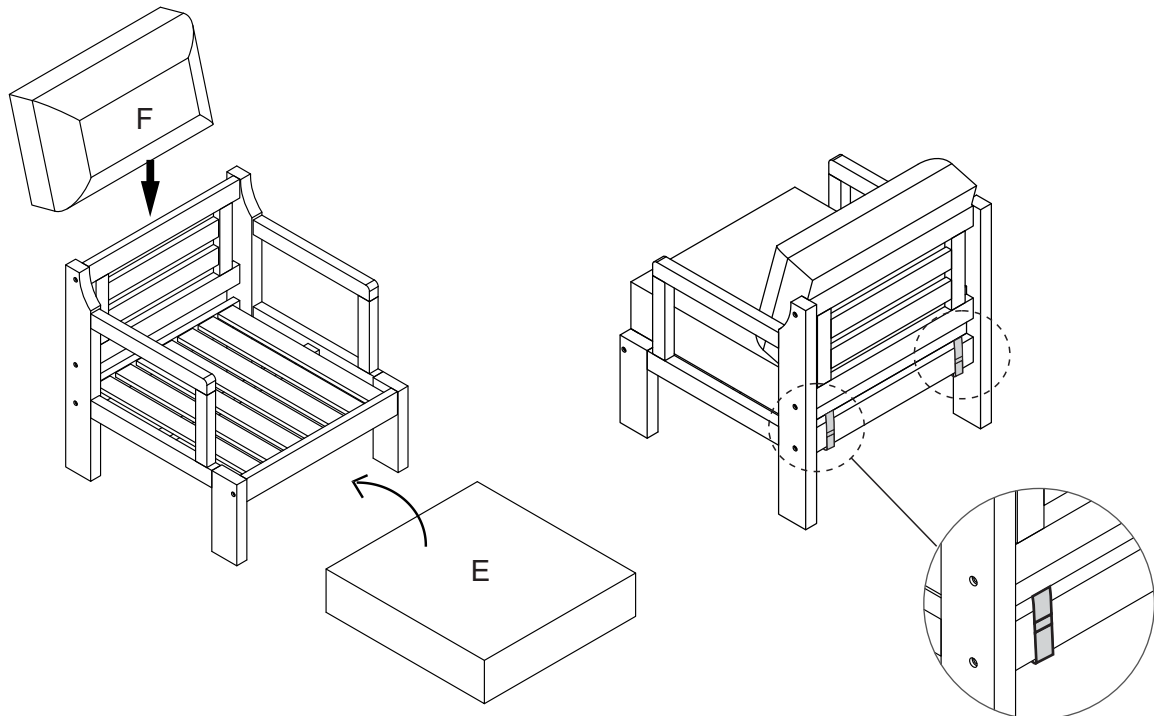
**Do not fully tighten the Screws.**

## Step 4



4. Attach the Button (2) into the Armchair as shown in picture above.

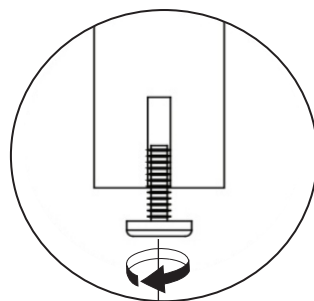
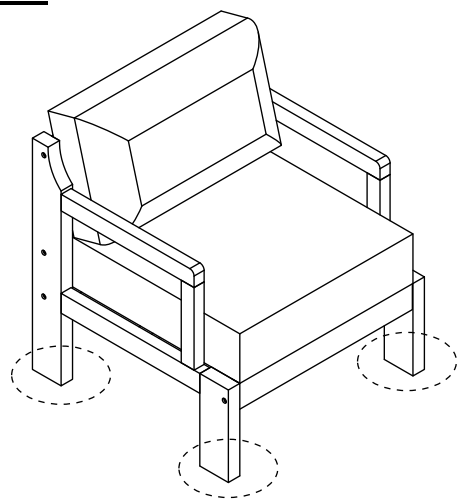
## Step 5



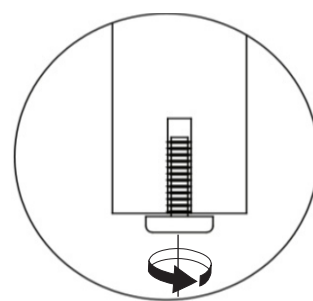
5. Place Seat Cushion (E), and Back Cushion (F) onto the Armchair ,and affix the magic tape straps around the Armchair as shown above.

**This Armchair can only be used on a flat, level surface.**

## Step 6



Adjust height for balance



Adjust low for balance



Adjust Pre-installed Levellers  
height for balance

Inspect the Armchair and make sure all parts are adequately connected.

Then EXERT pressure, floorwards onto the Armchair with both hand

This pressure will help align all parts at all joints.

In a sequential manner, tighten all Bolts and Screws at all joints.

**Adjust the Levellers until the Armchair is level with the ground.**

**To adjust the Levellers, get assistance from an adult partner to lift/lean and hold the Armchair while you are working.**

**CAUTION : When tightening these screws and bolts, tighten sequentially.**

**DO NOT tighten any screw or bolt fully and then move towards the next one. This could cause the frame to warp.**

**WARNING!! IF THE ARMCHAIR SEATE IS NOT STABLE , IT COULD LEAD TO DAMAGING THE PRODUCT.**

## Step 7

