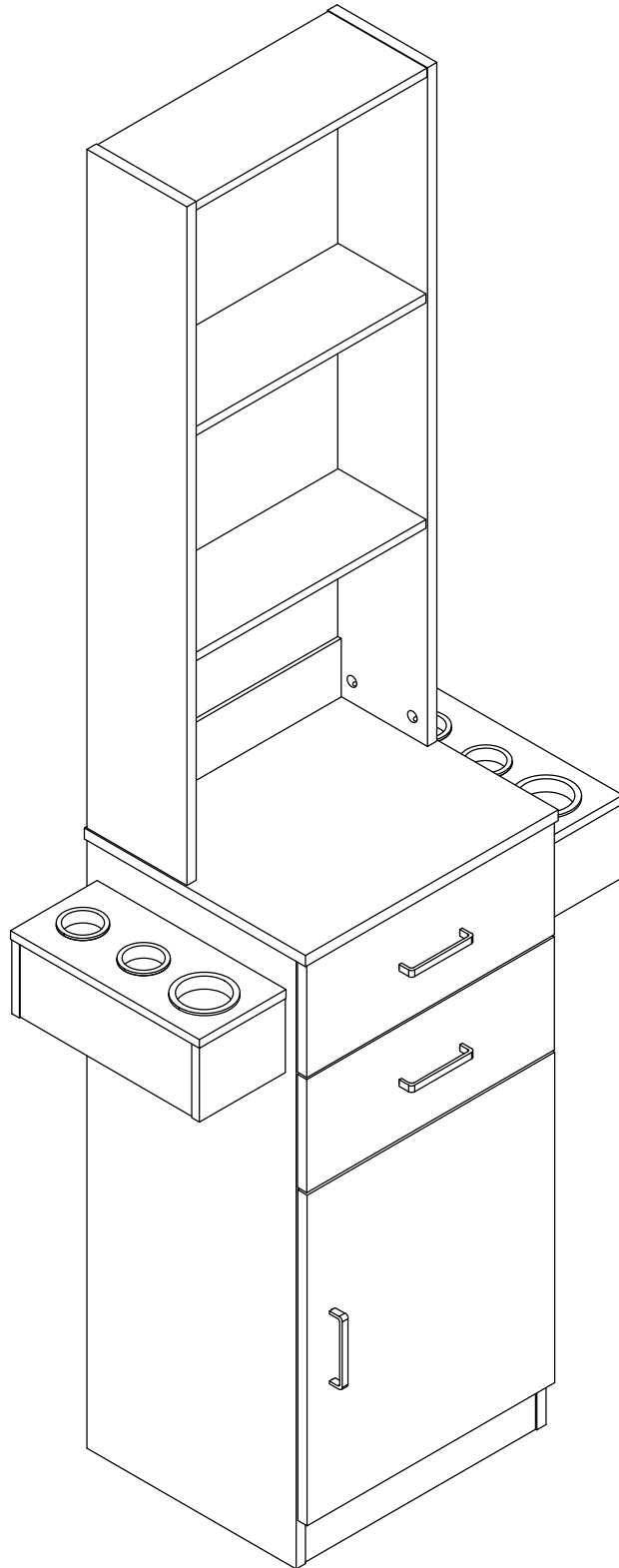
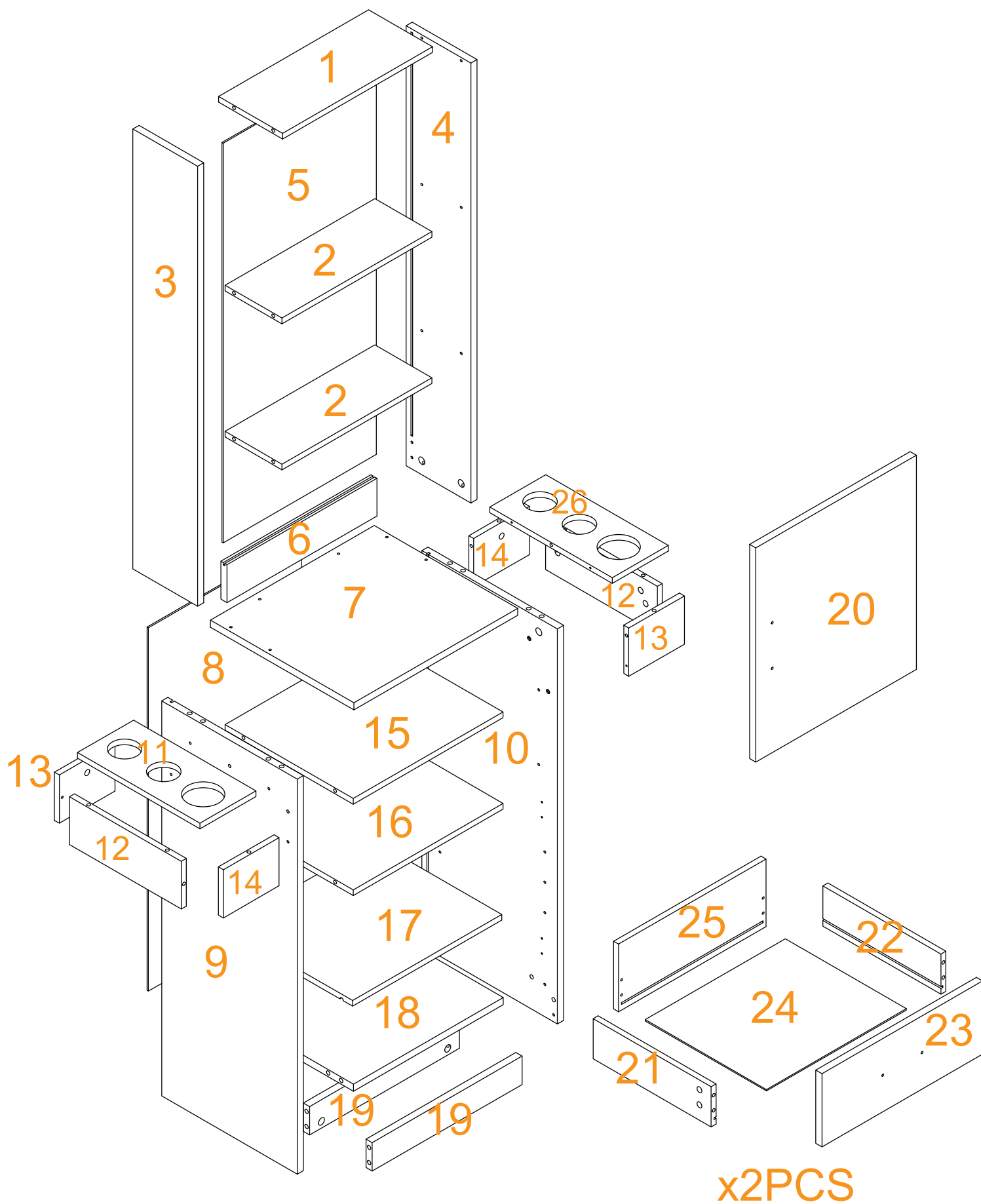


SKU: SF001047



# ASSEMBLY INSTRUCTIONS

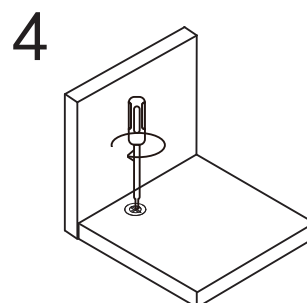
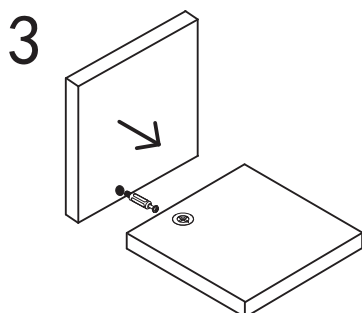
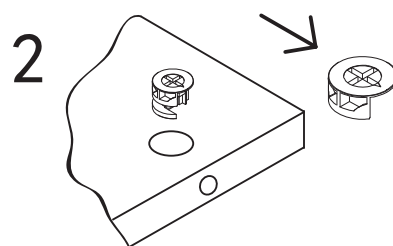
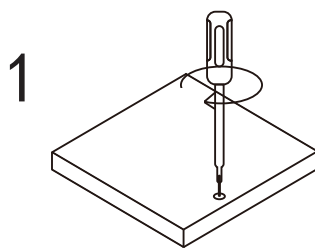


# Before You Start

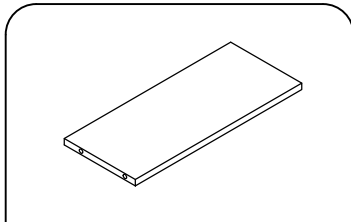
1. Read through each step carefully and follow the proper order
2. Separate and count all your parts and hardware
3. Give yourself enough room for the assembly process
4. Caution: If using a power drill or power screwdriver for screwing, please be aware to slow down and stop when screw is tight. Failure to do so may result in stripping the screw

## Cam Lock Fastening System

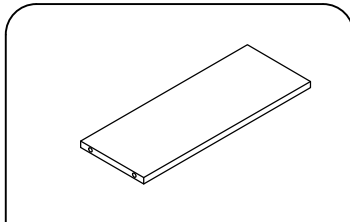
This Cam Lock Fastening System will be used throughout the assembly process



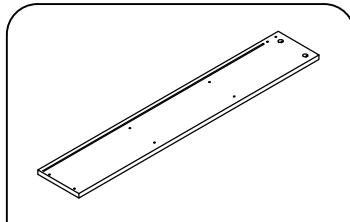
# Parts List



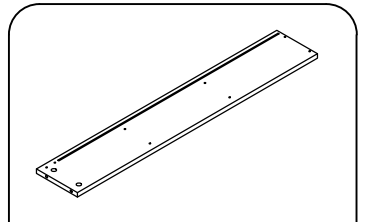
1 1PC



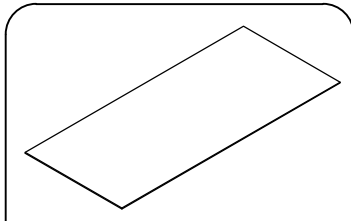
2 2PCS



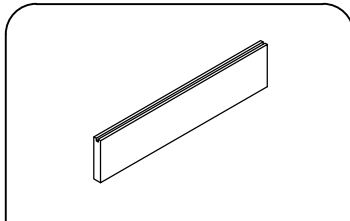
3 1PC



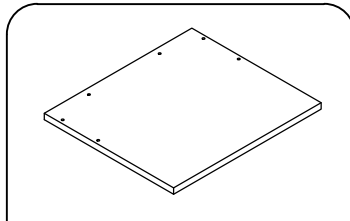
4 1PC



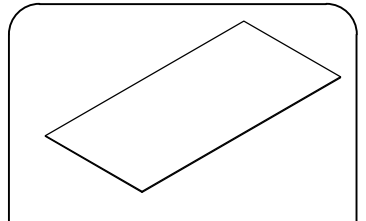
5 1PC



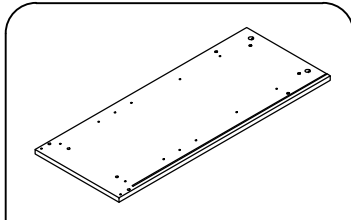
6 1PC



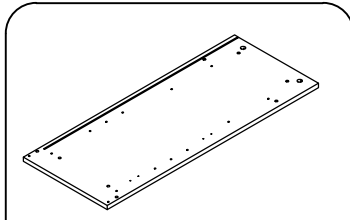
7 1PC



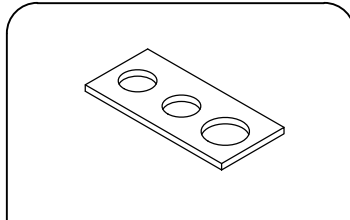
8 1PC



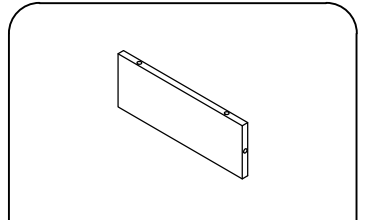
9 1PC



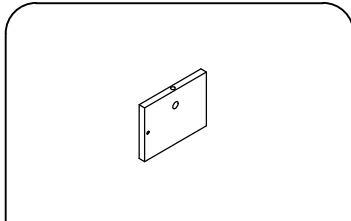
10 3PCS



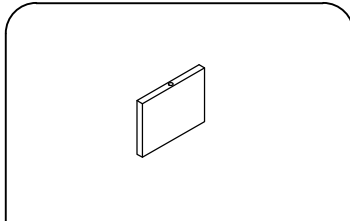
11 1PC



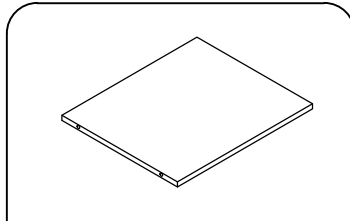
12 2PCS



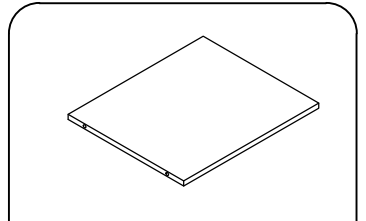
13 2PCS



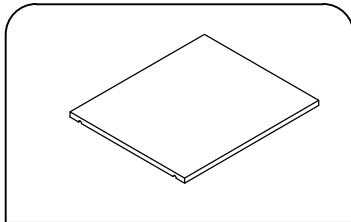
14 2PCS



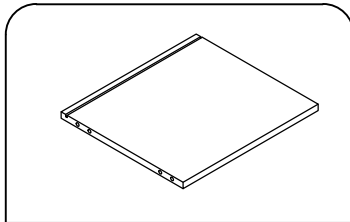
15 1PC



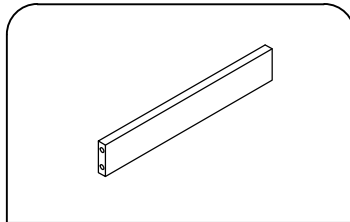
16 1PC



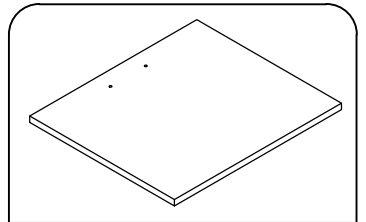
17 1PC



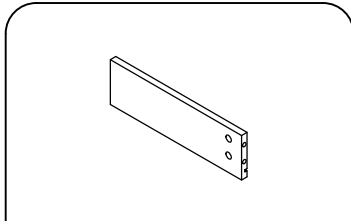
18 1PC



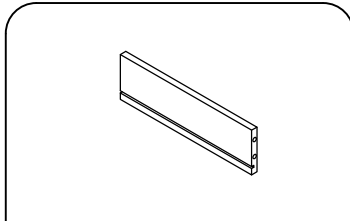
19 2PCS



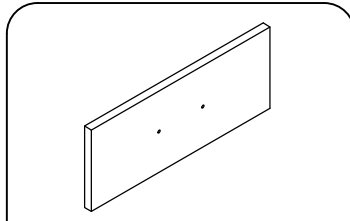
20 1PC



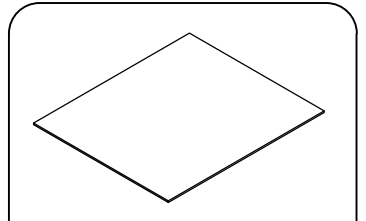
21 2PCS



22 2PCS

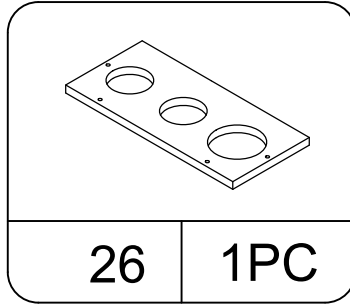
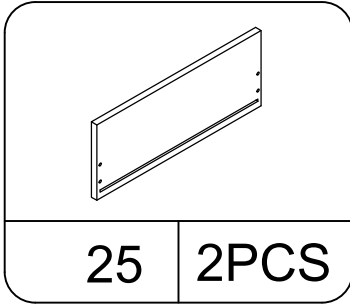


23 2PCS

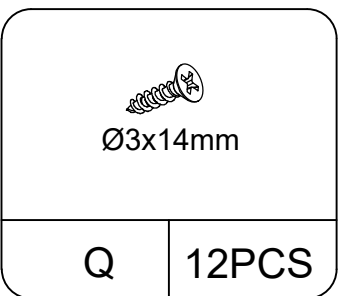
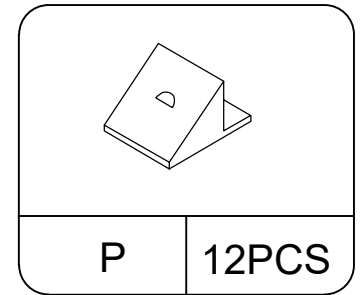
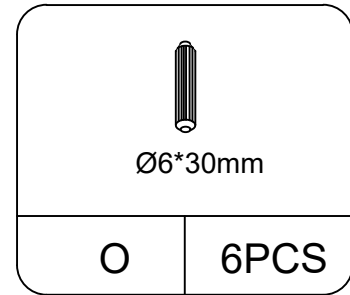
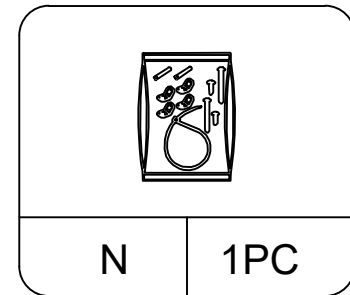
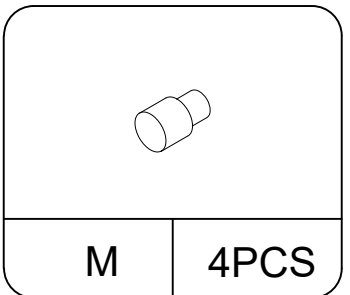
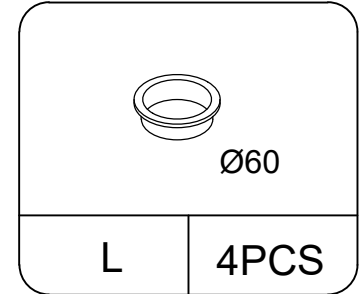
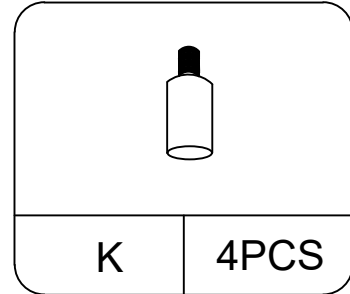
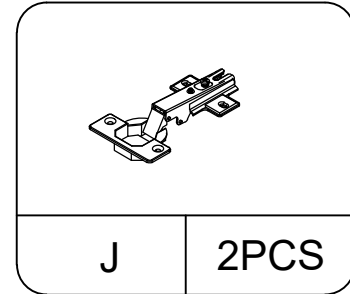
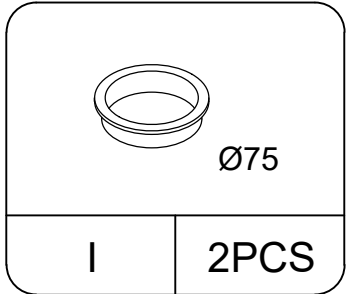
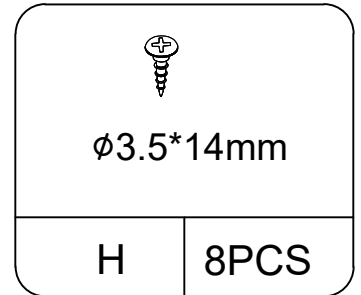
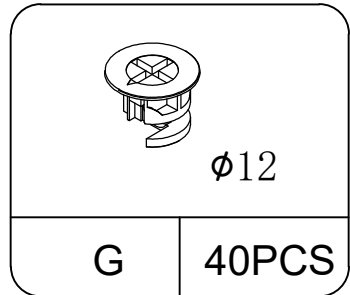
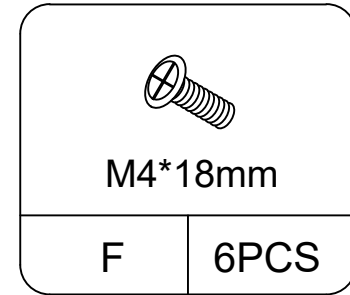
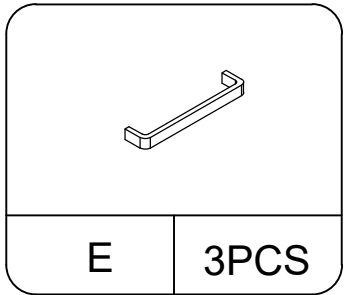
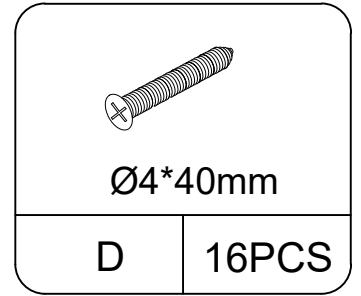
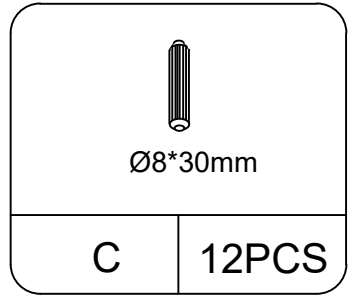
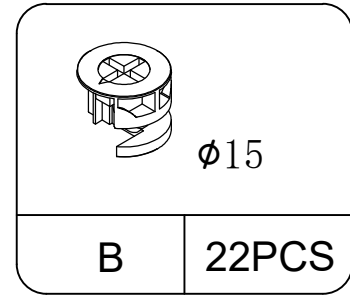
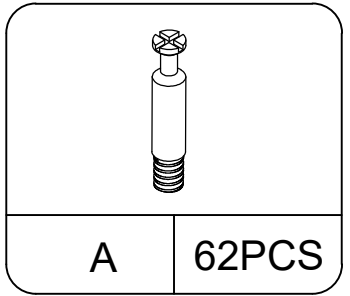


24 2PCS

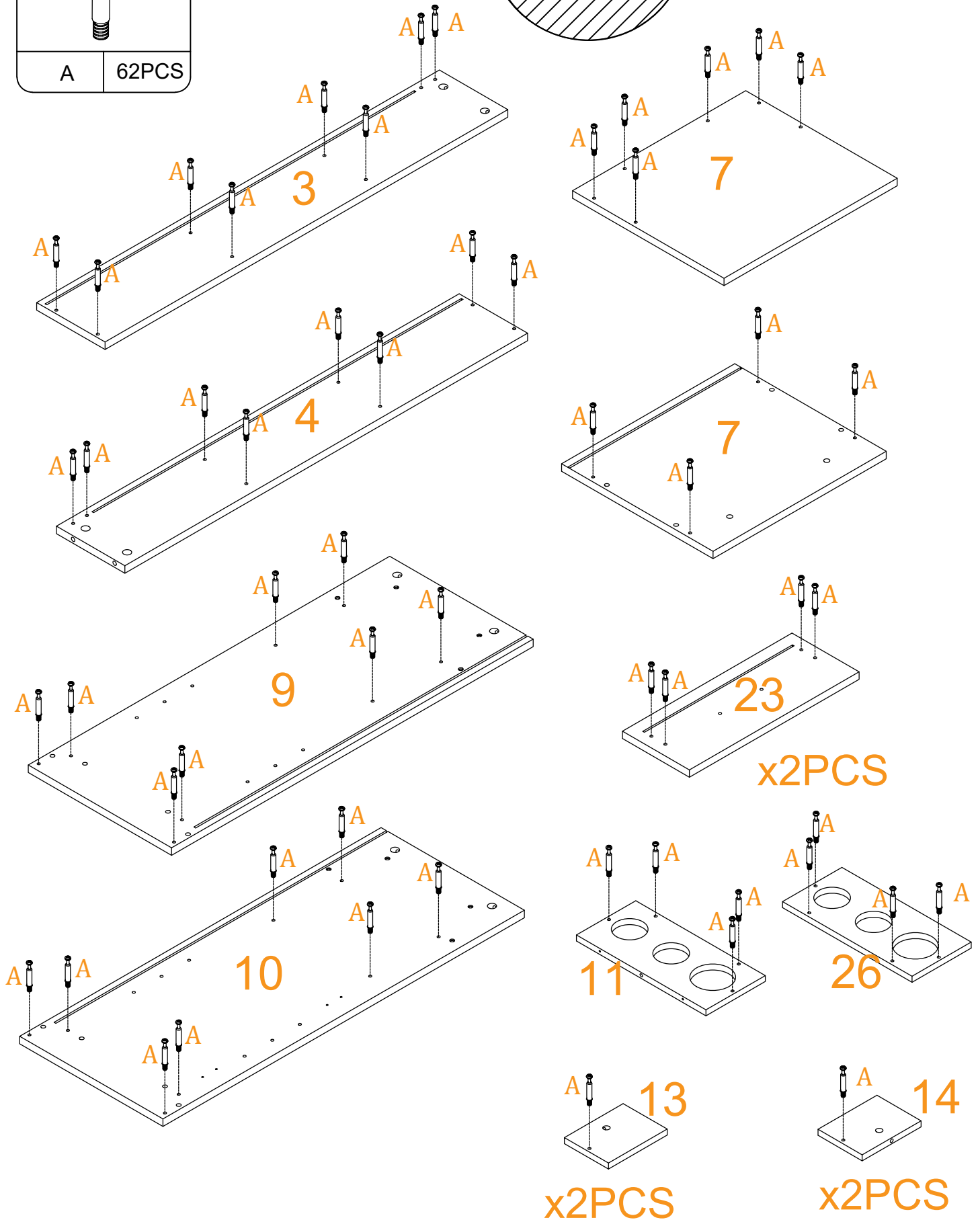
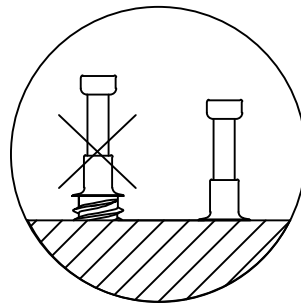
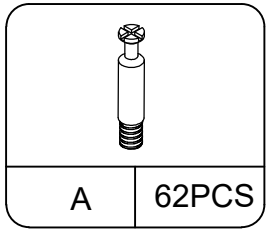
# Parts List



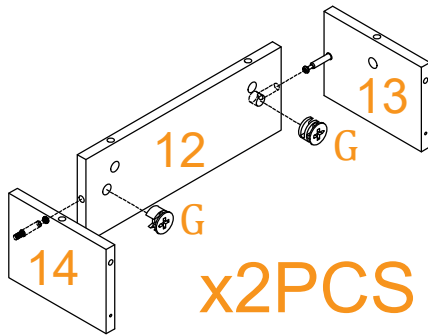
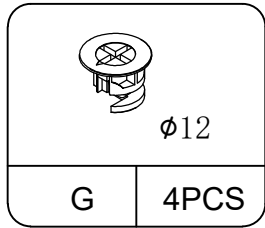
# Hardware List



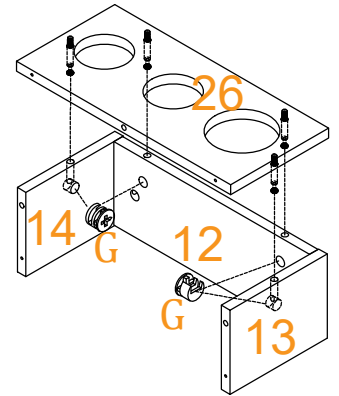
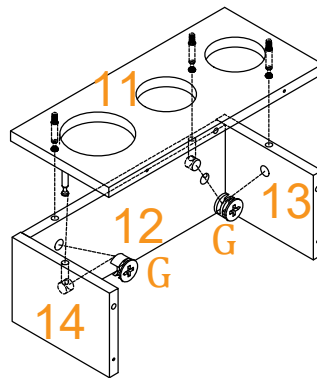
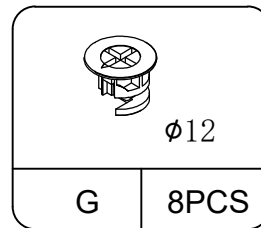
# STEP 1



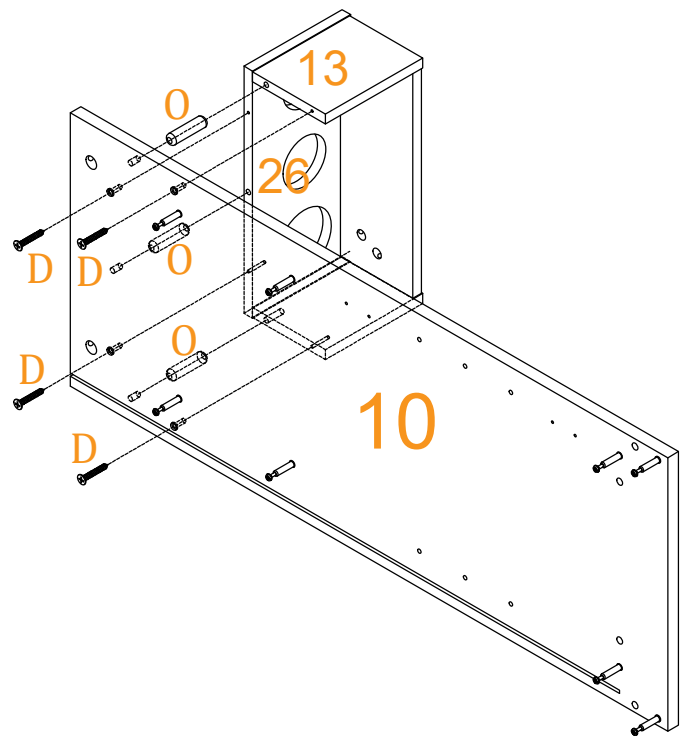
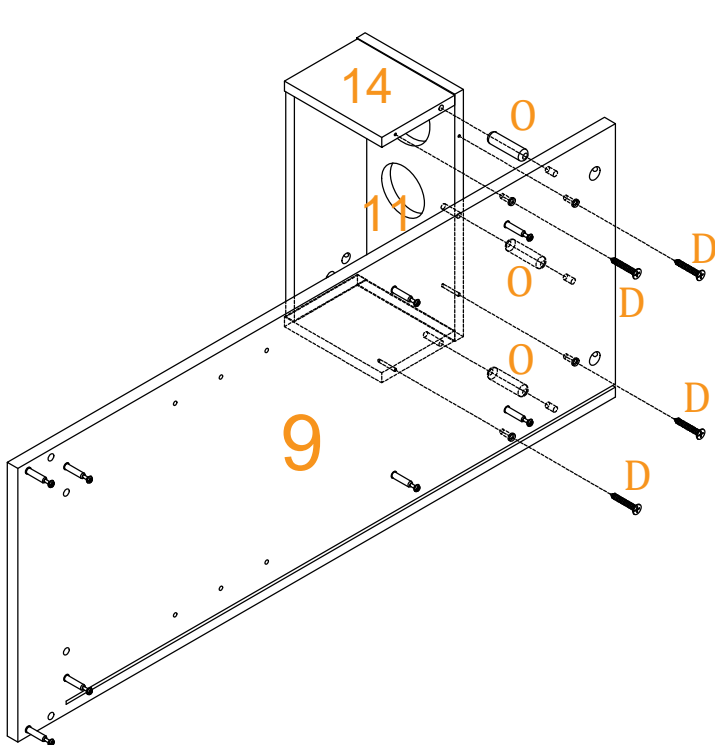
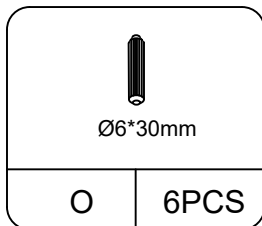
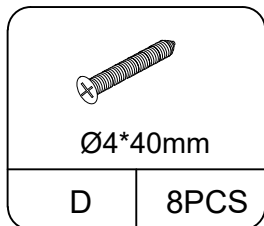
## STEP 2



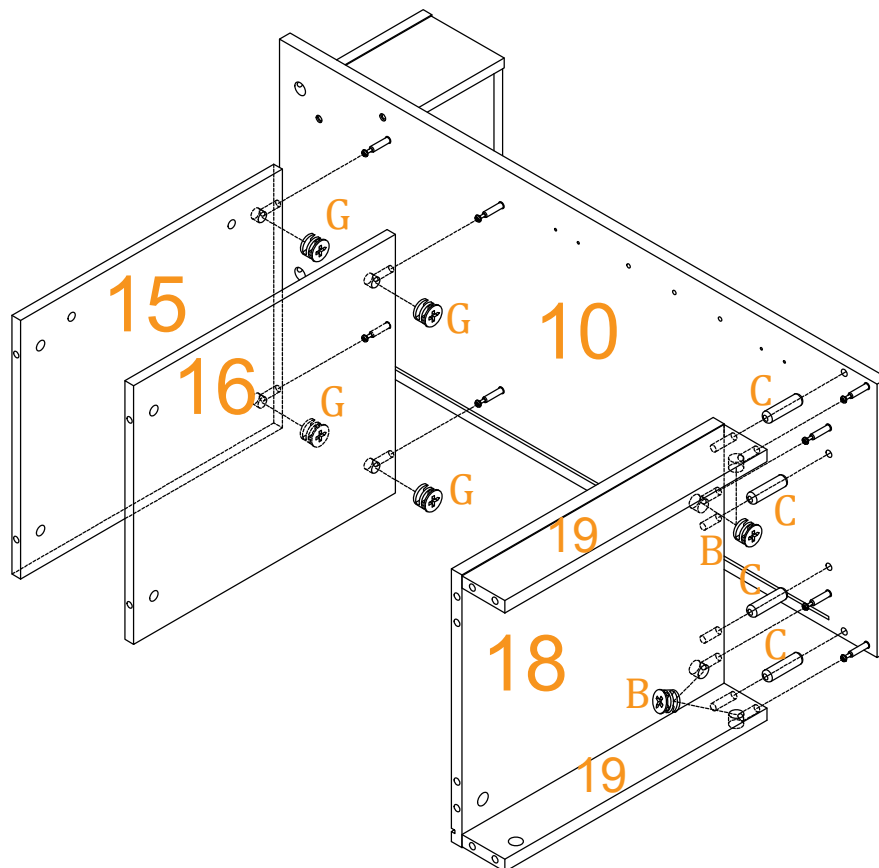
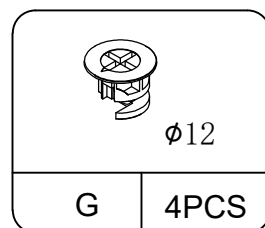
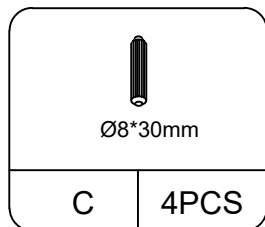
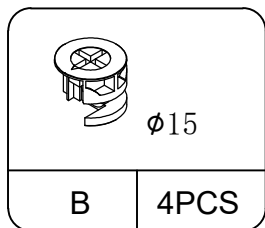
## STEP 3



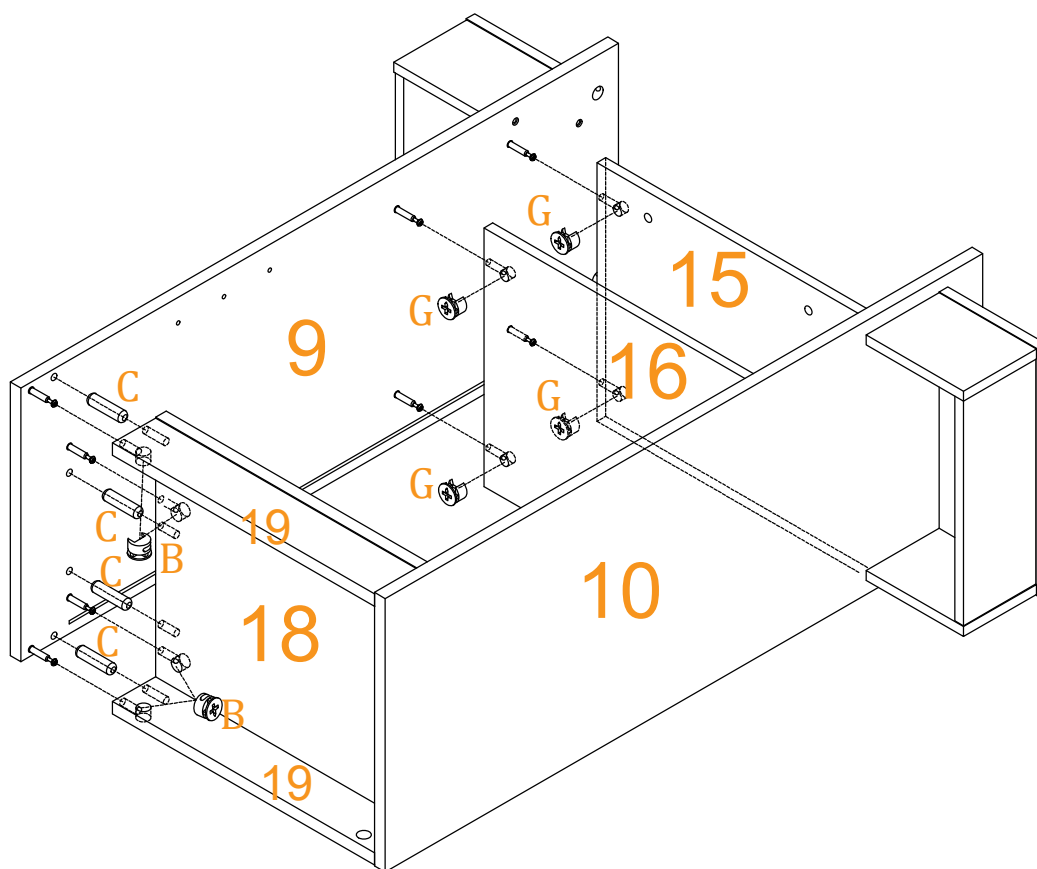
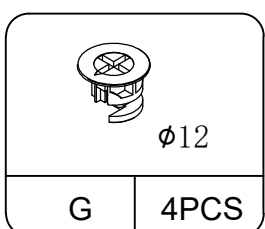
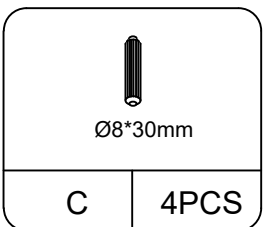
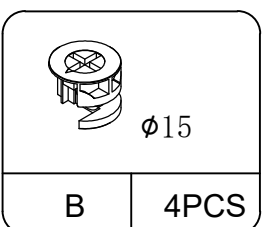
## STEP 4



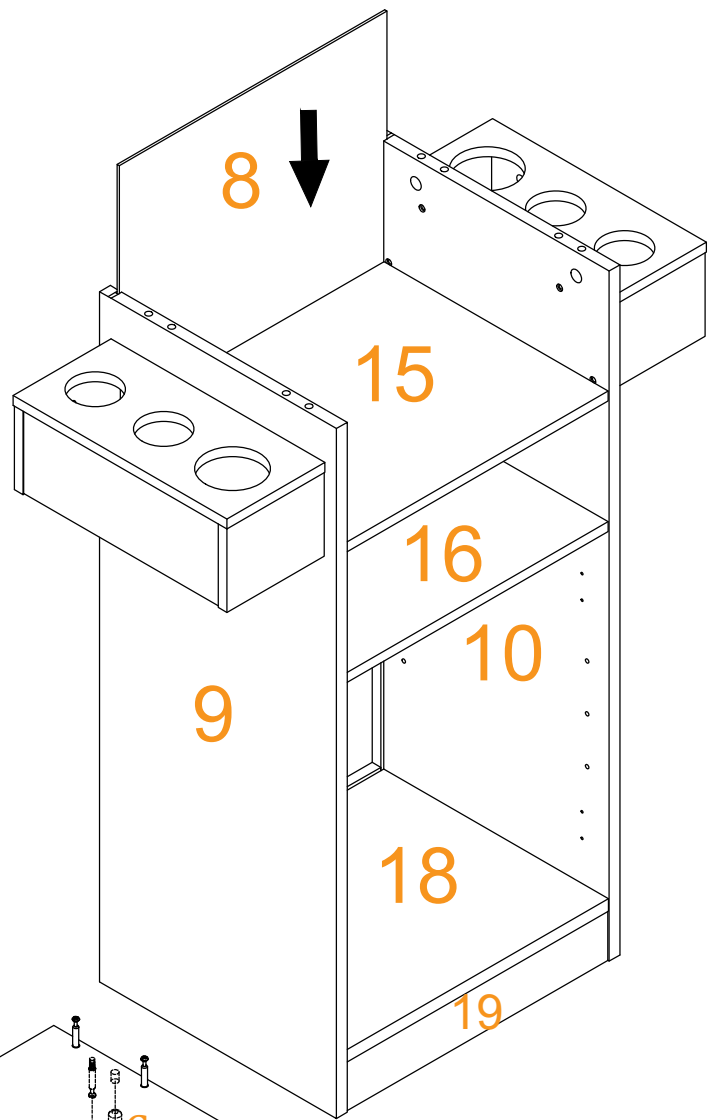
# STEP 5



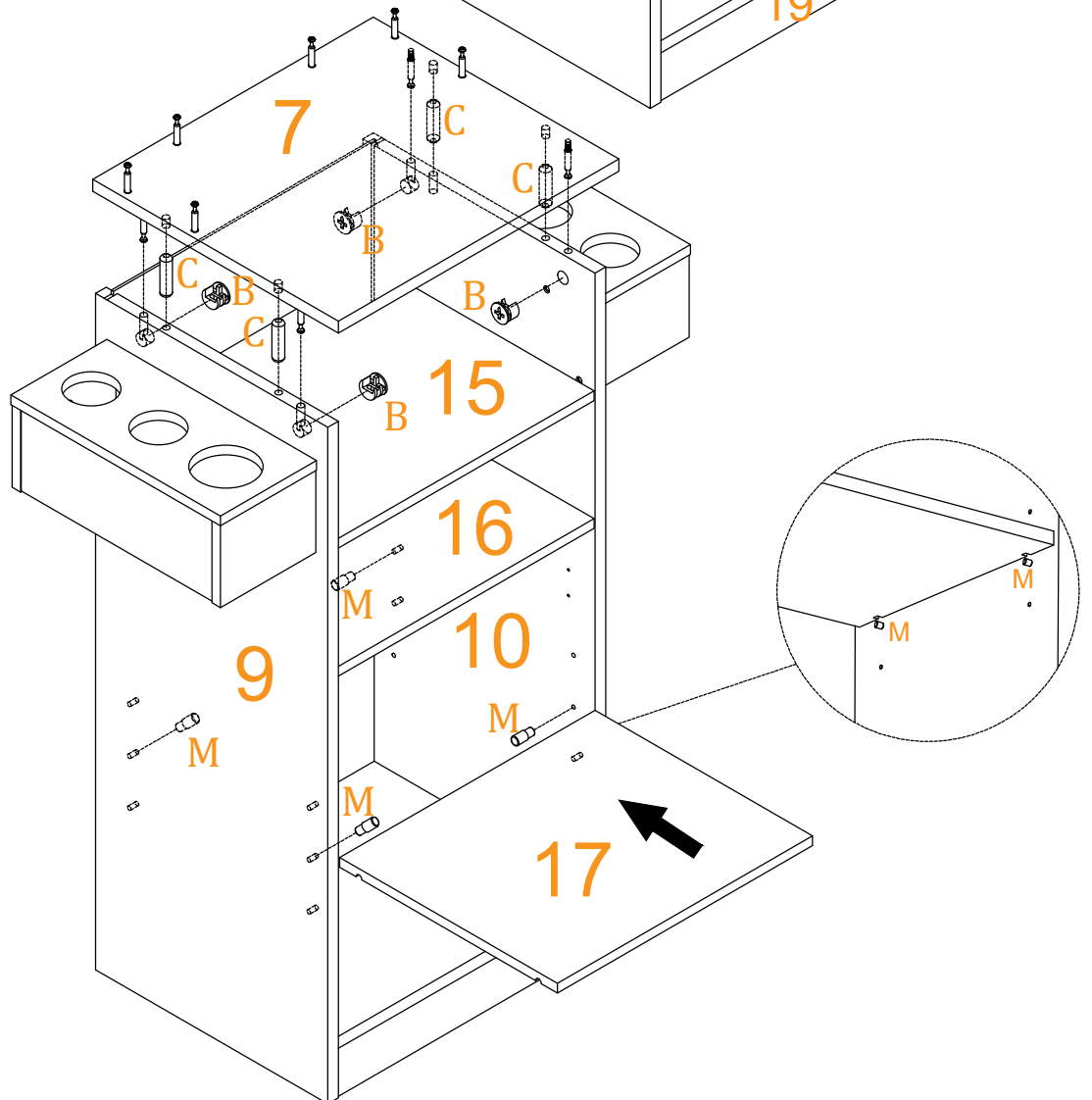
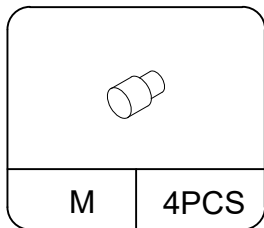
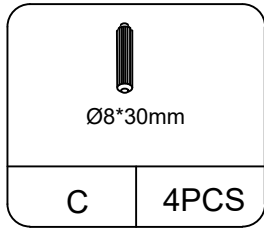
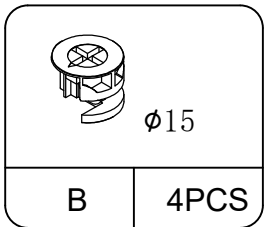
# STEP 6



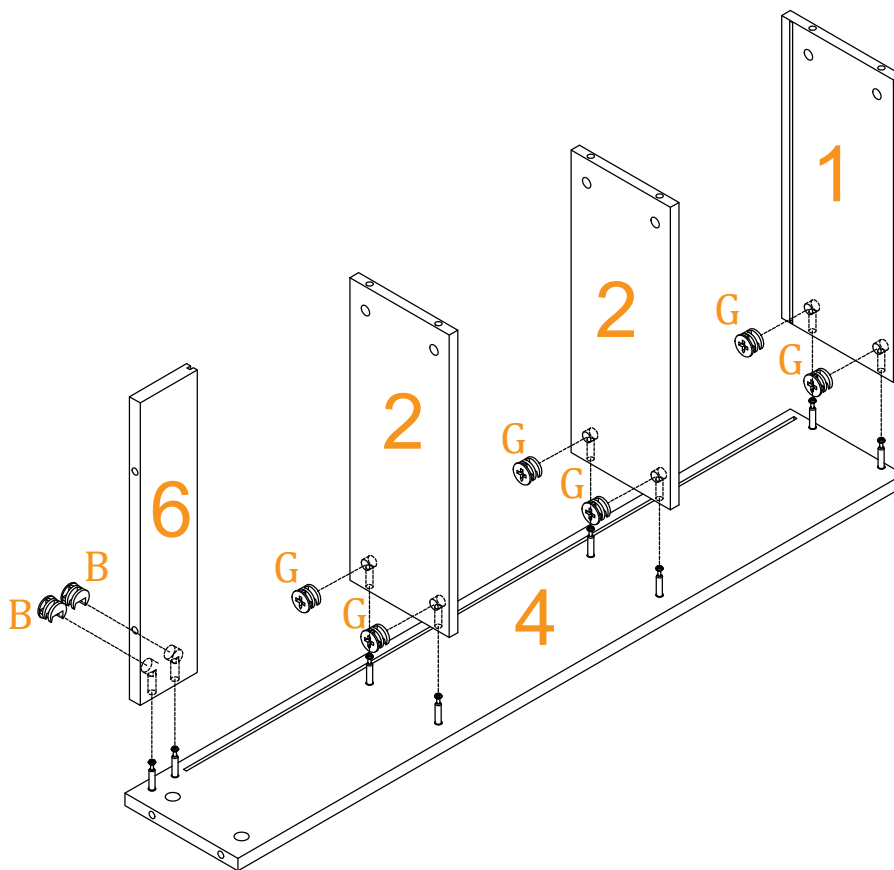
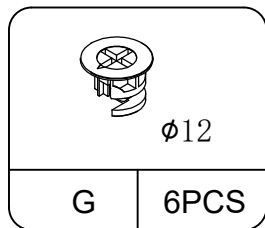
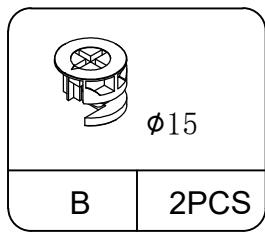
# STEP 7



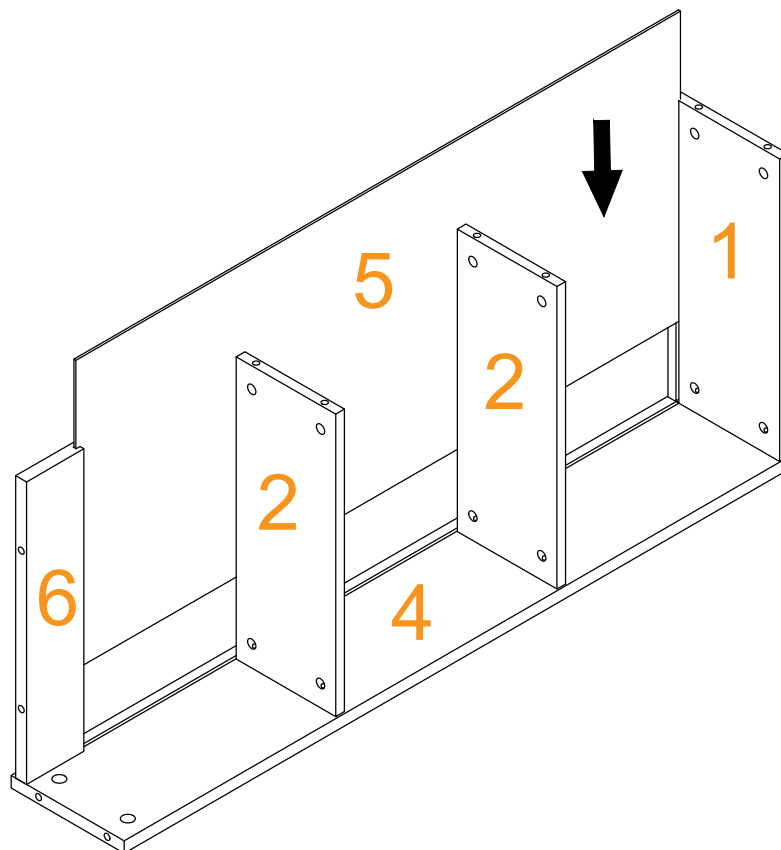
# STEP 8



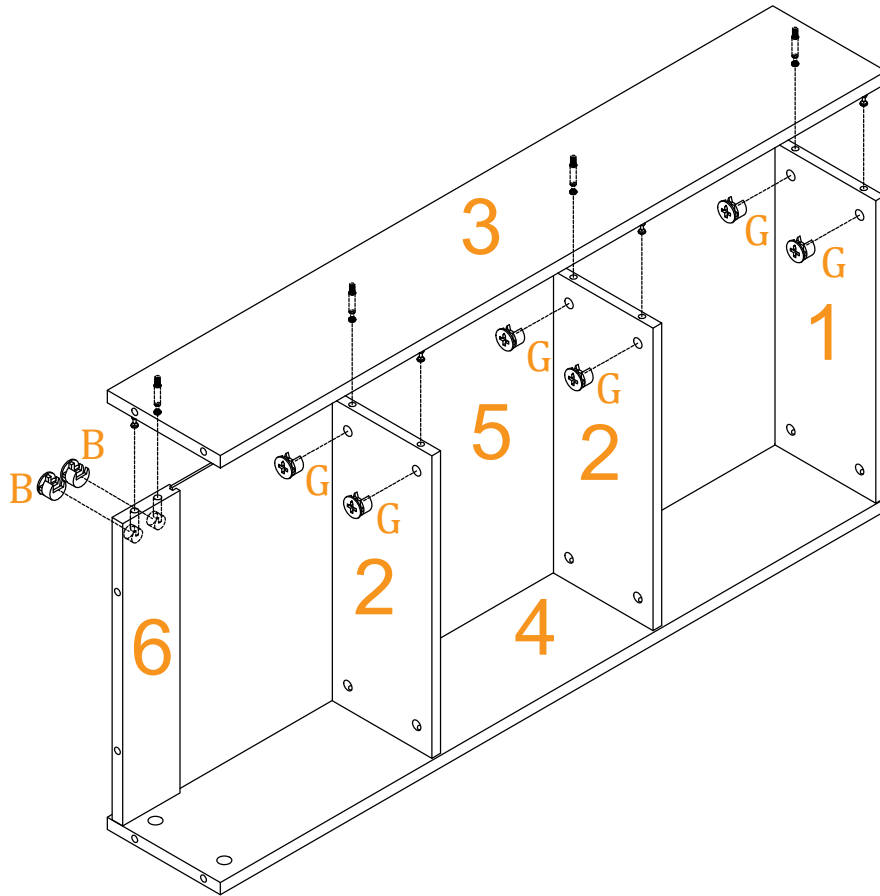
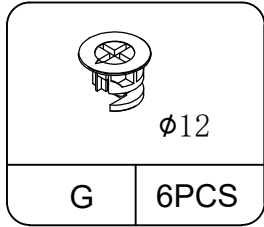
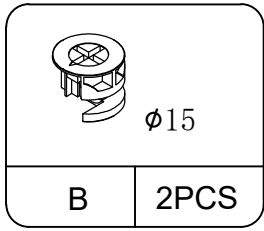
# STEP 9



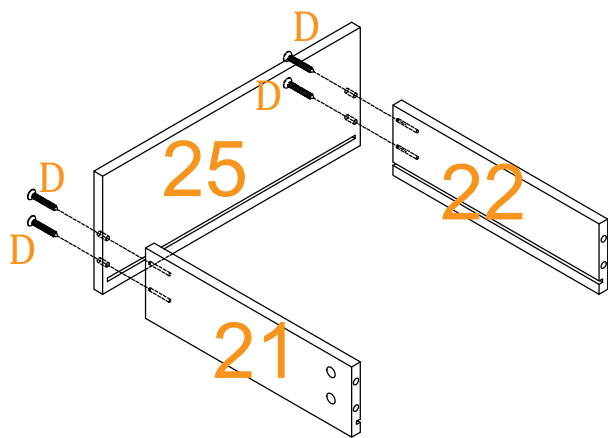
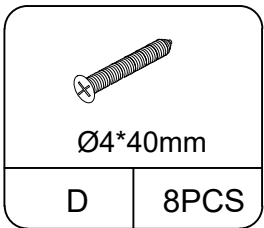
# STEP 10



# STEP 11

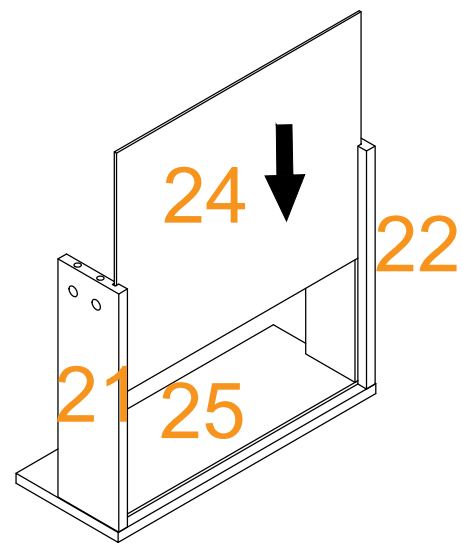


# STEP 12



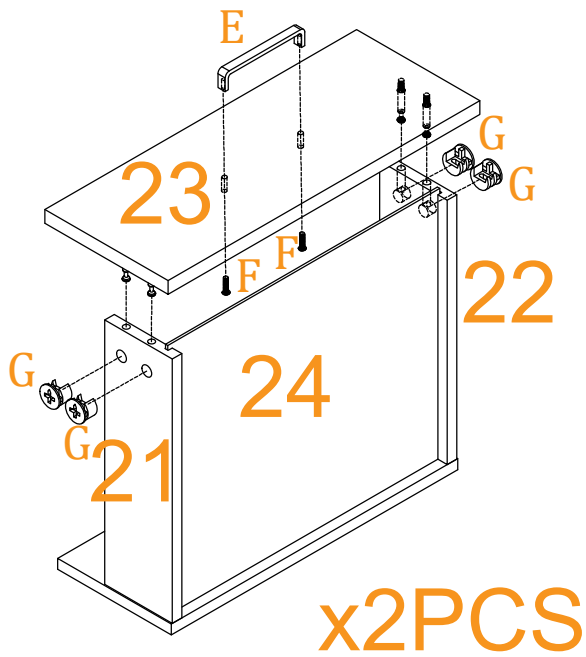
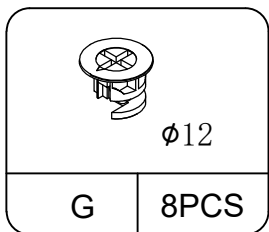
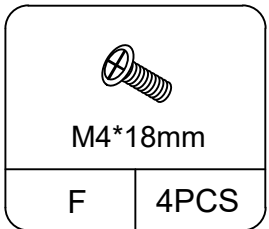
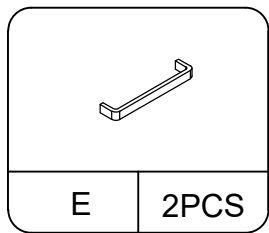
x2PCS

# STEP 13

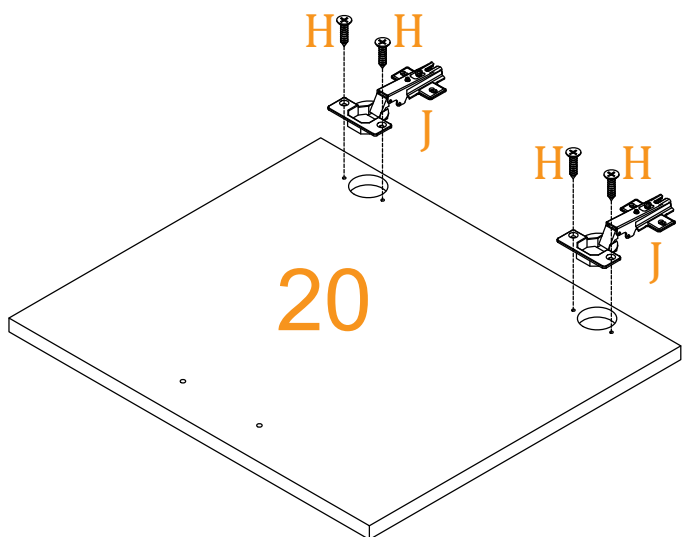
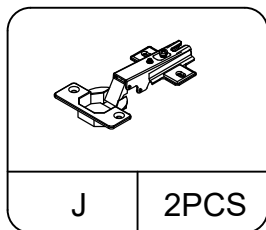
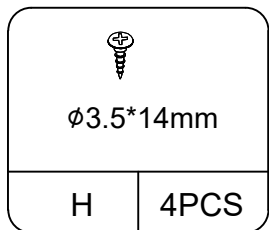


x2PCS

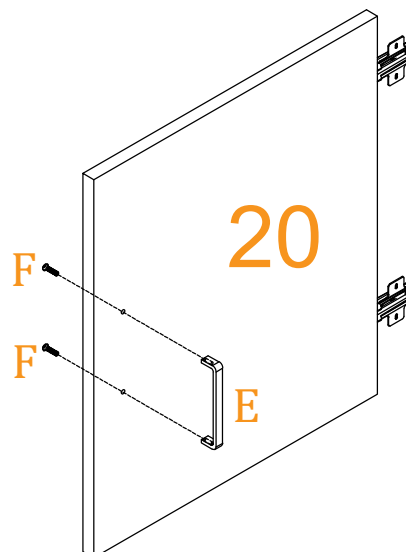
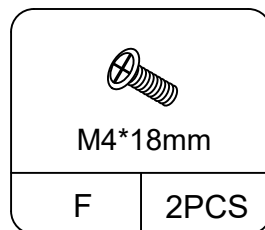
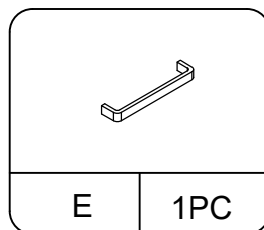
# STEP 14



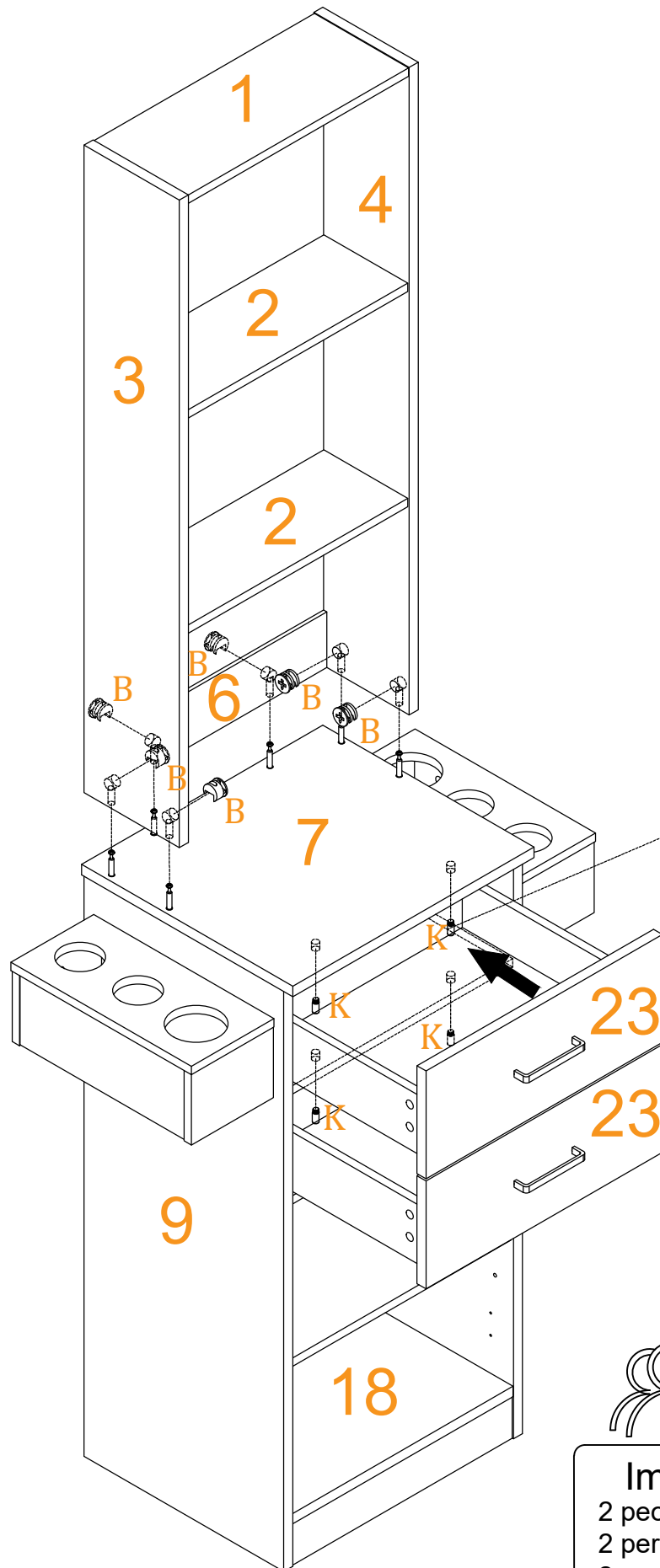
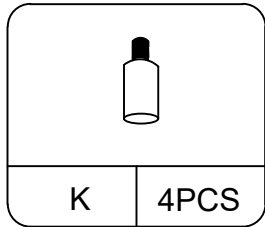
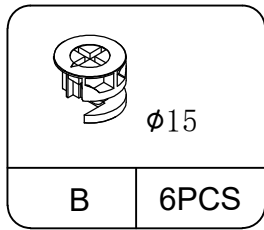
# STEP 15



# STEP 16

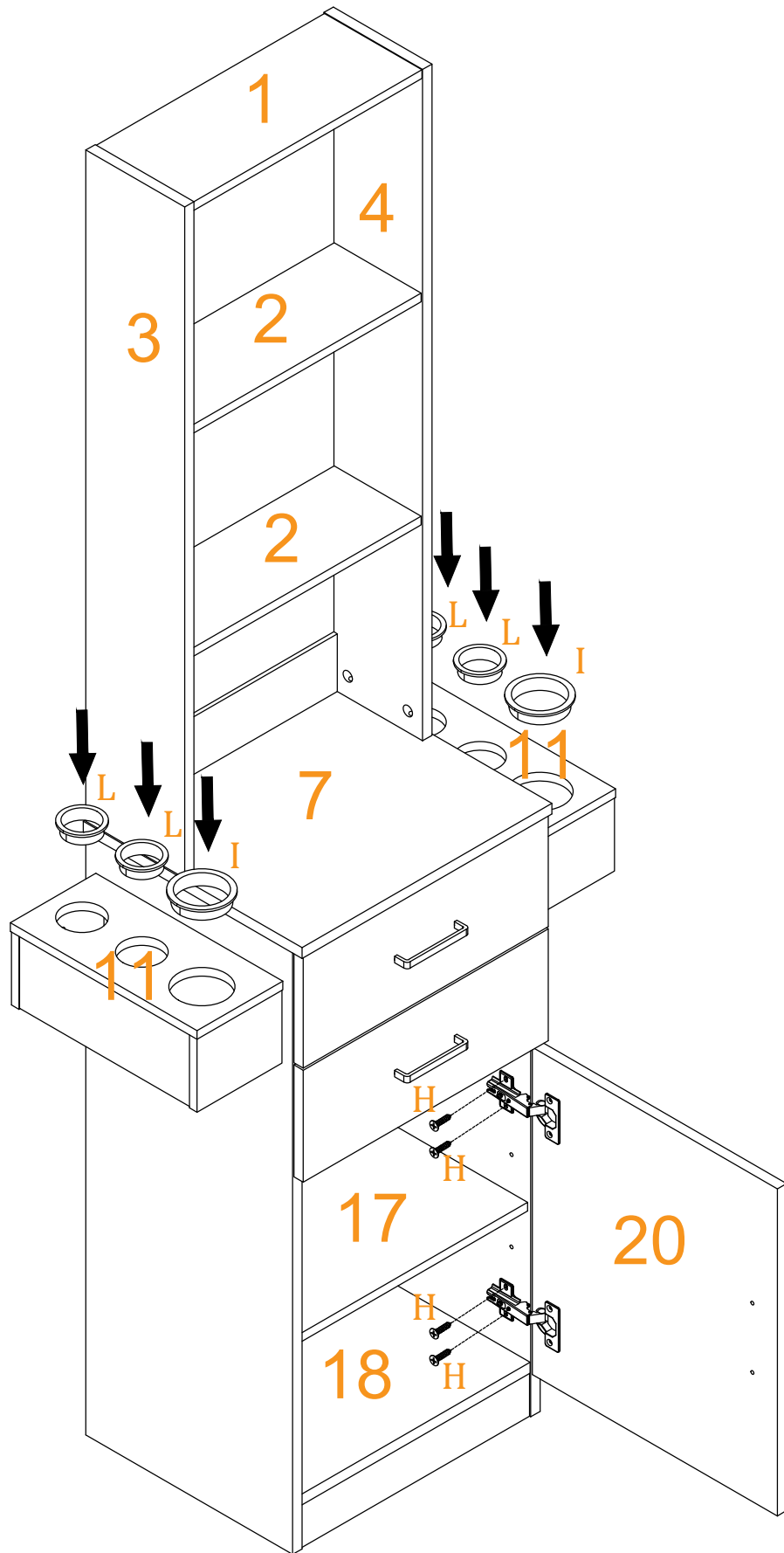
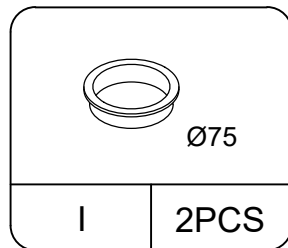
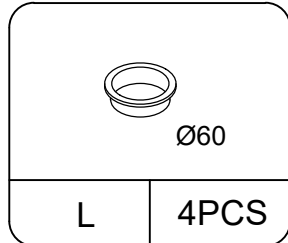
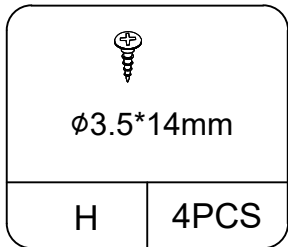


# STEP 17

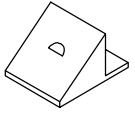


**Important**  
2 people required  
2 personnes requises  
2 personas requeridas

# STEP 18



# STEP 19



P

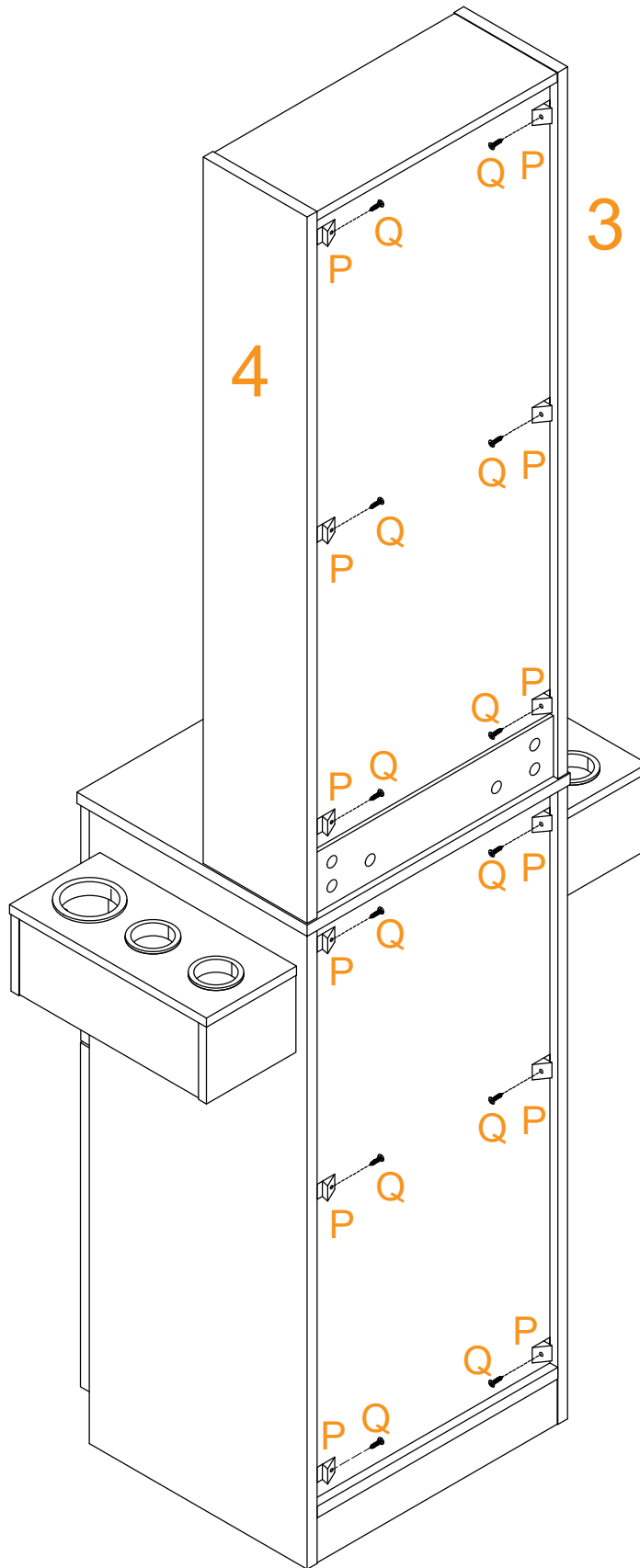
x12



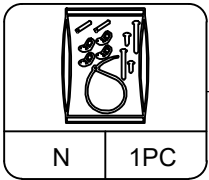
Ø3x14mm

Q

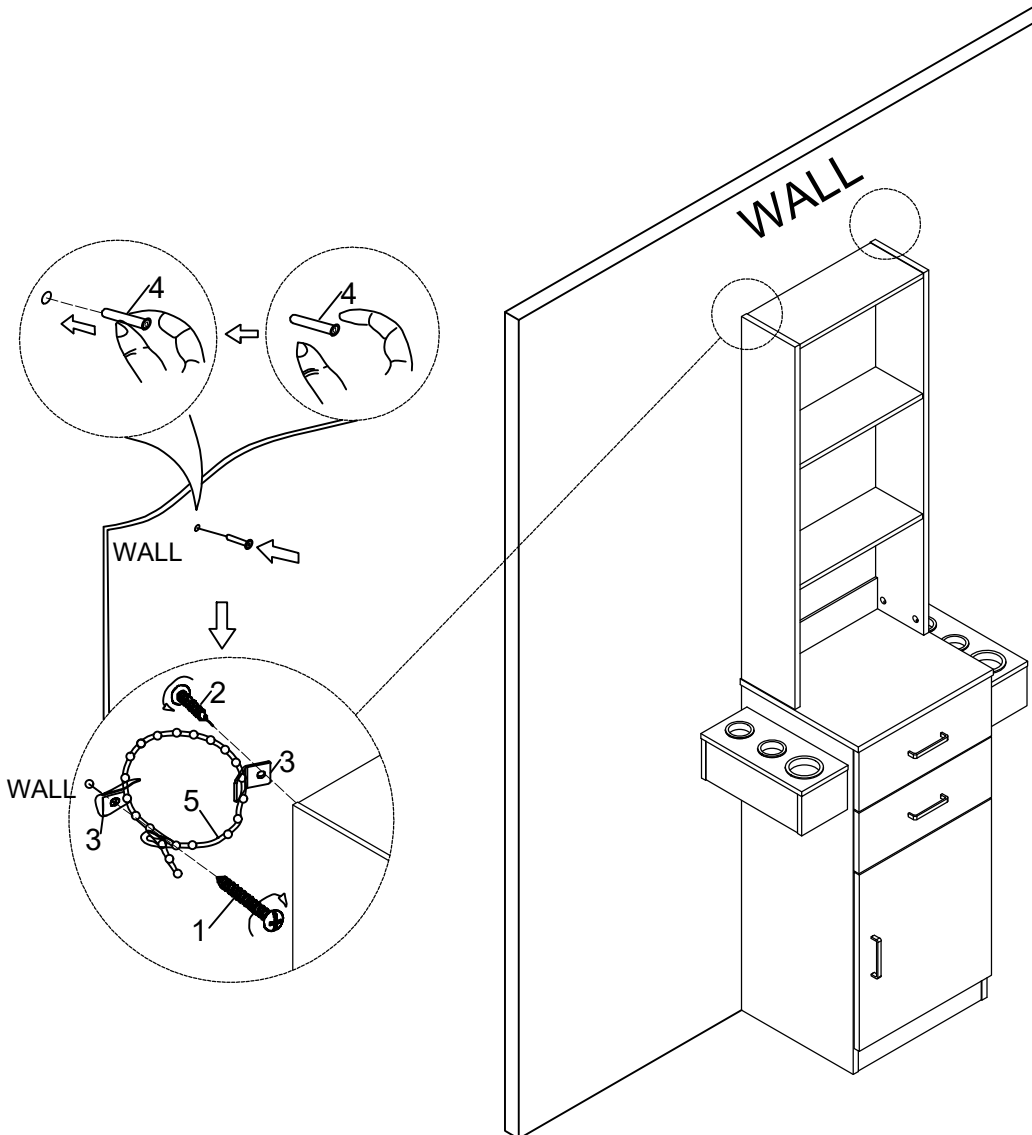
x12



# STEP 20



| PART LIST | FIGURE | QUANTITY | DESCRIPTION                    |
|-----------|--------|----------|--------------------------------|
| 1         |        | 2PC      | Long Screw<br>(Dia.4mmX38mmL)  |
| 2         |        | 2PC      | Short Screw<br>(Dia.4mmX19mmL) |
| 3         |        | 4PC      | Metal L Bracket                |
| 4         |        | 2PC      | Plastic Anchor                 |
| 5         |        | 2PC      | Cable                          |



Follow the instructions printed on the plastic bag containing the tipping restraint hardware to attach the tip-over restraints to the unit and the wall.

**NOTE:** The tipping restraint hardware included is designed for drywall construction. You will need to drill holes for the wall anchors. Depending on your wall type, different anchor hardware may be required. Please contact your local hardware store for assistance.