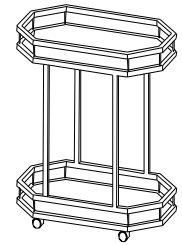
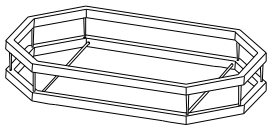
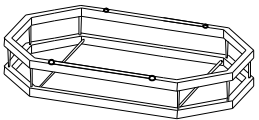

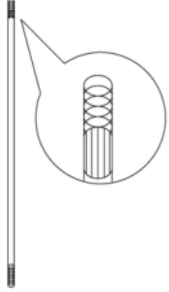

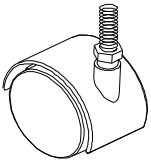
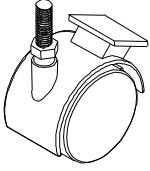
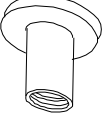
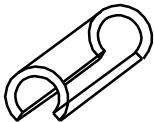
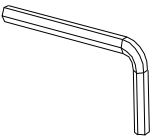
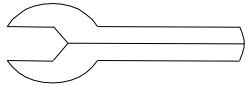


BAR CART

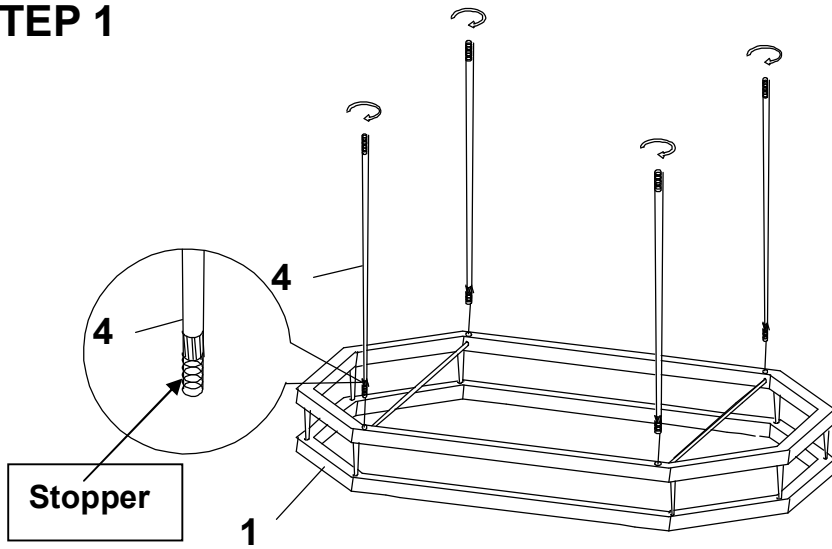


ASSEMBLY INSTRUCTIONS

1	2	3	4	5
 <p>TOP FRAME 1PC</p>	 <p>BOTTOM FRAME 1PC</p>	 <p>SUPPORT 4PCS</p>	 <p>BOLT W/ STOPPER 4PCS</p>	 <p>MIRROR SHELF 2PCS</p>
A		B		C
 <p>CASTER W/O BRAKE 2PCS</p>		 <p>CASTER W/ BRAKE 2PCS</p>		 <p>NUT 4PCS</p>
D		E		F
 <p>GLASS PAD 8PCS</p>		 <p>ALLEN KEY 1PC</p>		 <p>OPEN WRENCH 1PC</p>

*** Do not tighten screws & bolts until the entire unit is completely assembled. ***

STEP 1

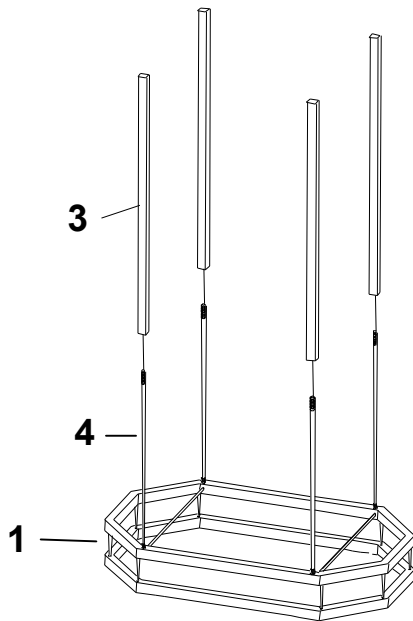


*Please put all parts on a soft surface to prevent scratches.

**DO NOT REMOVE THE
WHITE PROTECTIVE
SHEET DURING
ASSEMBLY**

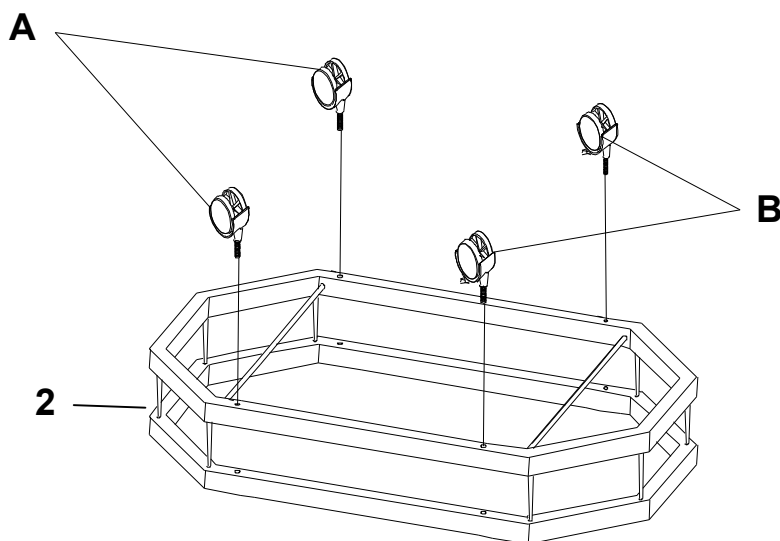
Screw bolt w/ stopper (4) to top frame (1) as shown.

STEP 2



Put on support (3) to bolt w/ stopper (4).

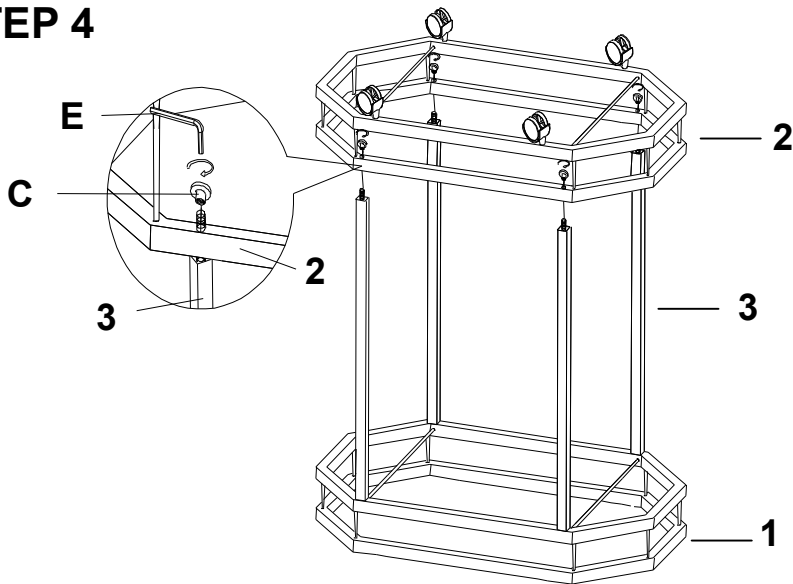
STEP 3



Screw caster w/o brake (A) and
caster w/ brake (B) to bottom
frame (2) as shown.

Tighten caster (A) and (B) by
using open wrench (F).

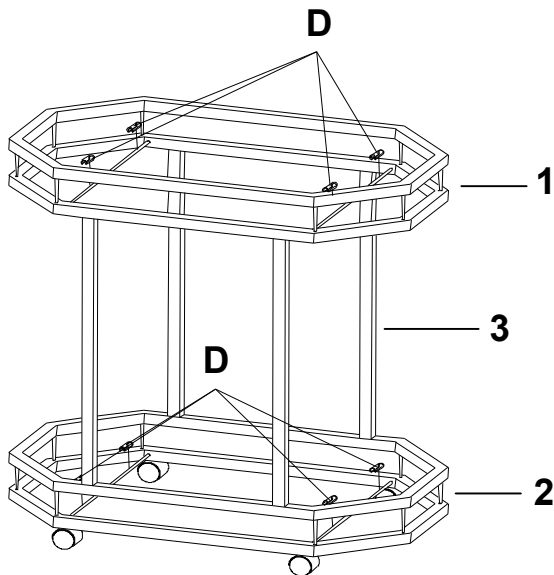
STEP 4



Then assemble bottom frame (2) to bolt w/ stopper (4) by using nut (C) as shown.

Tighten nut (C) by using Allen key (E).

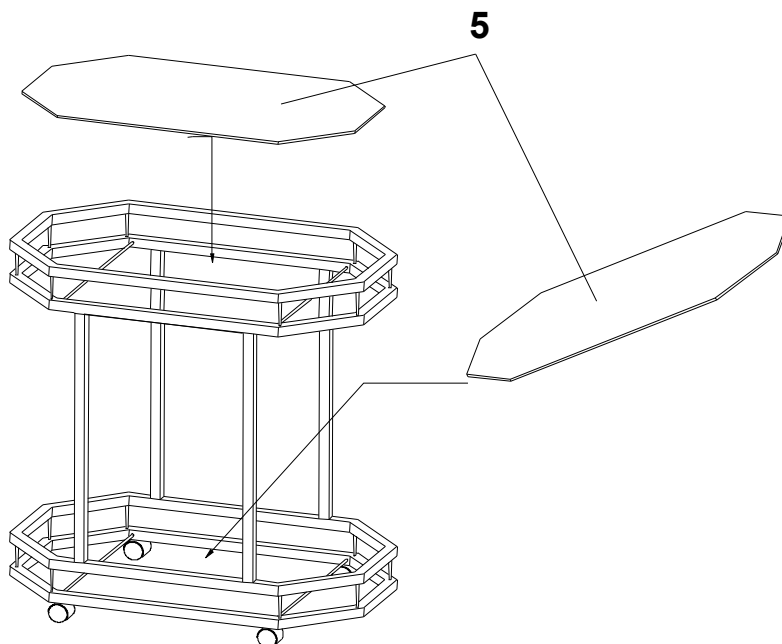
STEP 5



Turn the unit right side up carefully.

Then put glass pad (D) onto top frame (1) and bottom frame (2) as shown.

STEP 6



Put mirror shelf (5) on the frame carefully.

Your bar cart is now complete.