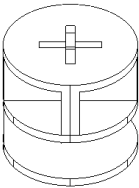
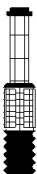

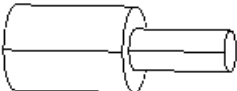
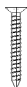
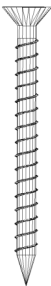


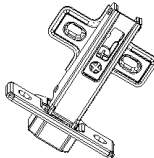
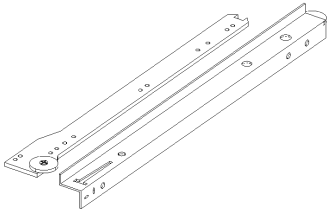
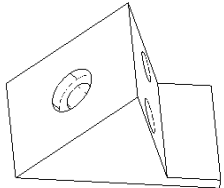
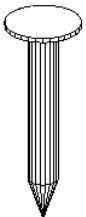


Evu Home
FURNITURE & DECOR

ASSEMBLY AND INSTALLATION GUIDE

A LIST OF MATERIALS

A	B	C	D	E	F
					

G	H	I	J
			

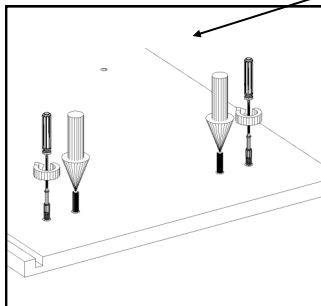
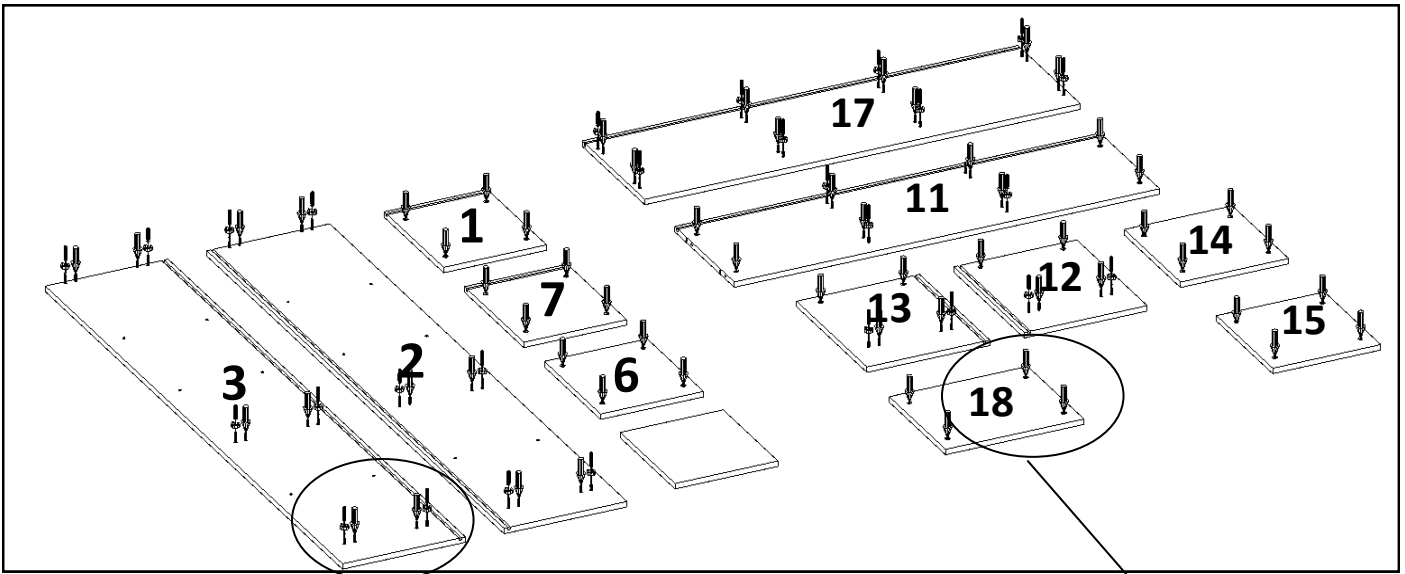
PIECE	QUANTITY
A:MINIFIX BODY	76
B:MINIFIX SCREW	76
C:DOWEL	76
D:SHELF PIN	32
E:3,5X17 SCREW	84
F:3,5X50 SCREW	14
G:FLAT HINGE	6

PIECE	QUANTITY
H:RAIL SET	5
I:BACKREST FIXER	12
J:NAIL	30

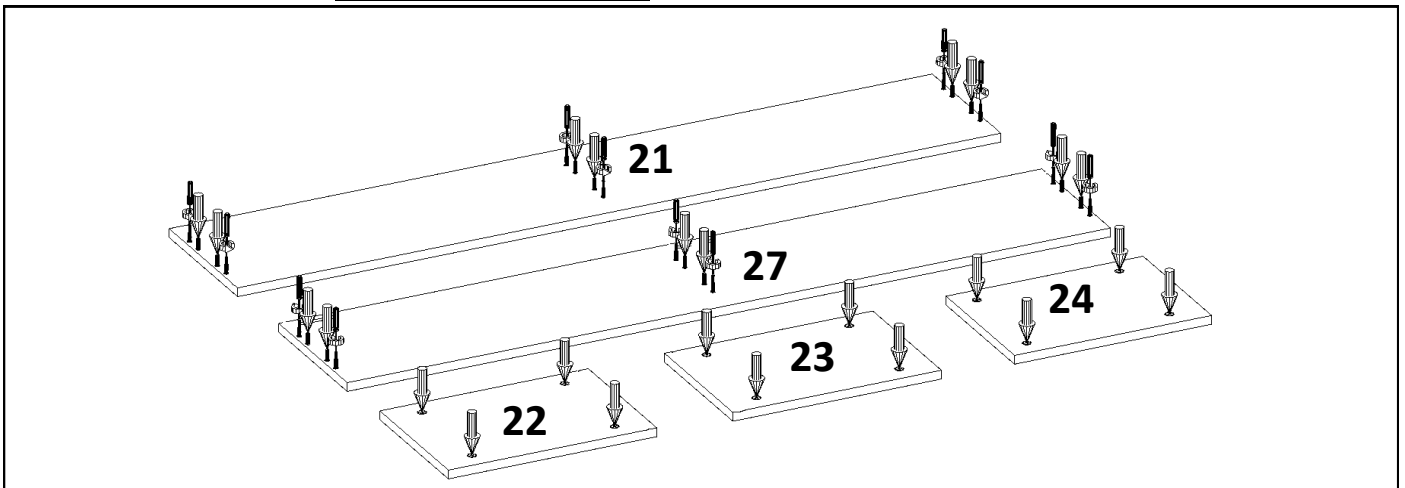
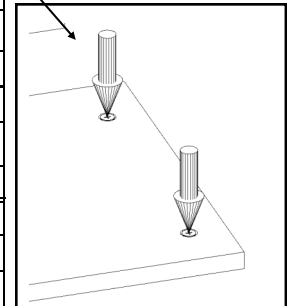
NOTE : PLEASE HAVE AT LEAST ONE PERSON ASSISTING DURING THE ASSEMBLY.

evu129- MAISON WHITE TV ENTERTAINMENT CABINET

- Before starting the assembly, take all the parts out of the box and check them according to the assembly manual.
- Before starting the assembly, clean each part with a damp cloth.
- Although the products are carefully checked and packaged, if you encounter a problem during shipping, you can check the necessary parts and contact us from the contact numbers on our website. The problem will be fixed as soon as possible free of charge.



1	2	3	6	7
BOTTOM TABLE	RIGHT SIDE	LEFT SIDE	FIXED SHELF	UPPER TABLE
2 PIECE	2 PIECE	2 PIECE	2 PIECE	2 PIECE
11	12	13	14	15
BOTTOM TABLE	RIGHT SIDE	LEFT SIDE	FIXED SHELF	UPPER TABLE
1 PIECE	1 PIECE	1 PIECE	1 PIECE	1 PIECE
17	18	21	22	23
UPPER TABLE	FIXED SHELF	BOTTOM TABLE	RIGHT SIDE	LEFT SIDE
1 PIECE	1 PIECE	1 PIECE	1 PIECE	1 PIECE
24	27			
MIDDLE SIDE	UPPER TABLE			
1 PIECE	1 PIECE			



NOTE : PLEASE HAVE AT LEAST ONE PERSON ASSISTING DURING THE ASSEMBLY.

PIECES DIMENSIONS

RABI BEYZA TV UNIT			
LENGTH	WIDTH	QUANTITY	EXPLANATION
1900	380	2	RIGHT SIDE (2)
1900	380	2	LEFT SIDE (3)
318	380	2	BOTTOM TABLE(1)
318	380	2	UPPER TABLE(7)
318	360	2	FIXED SHELF(6)
318	350	6	MOVING SHELF
318	100	4	BASE
1348	400	1	UPPER TABLE (17)
450	380	1	RIGHT SIDE (12)
450	380	1	LEFT SIDE (13)
334	360	2	MIDDLE SIDE (14-15)
428	360	1	FIXED SHELF(18)
1316	380	1	BOTTOM TABLE (11)
1316	100	2	BASE
370	100	5	DRAWER SPACER
300	100	5	DRAWER LEFT SIDE
300	100	5	DRAWER RIGHT SIDE
1348	250	1	UPPER TABLE (27)
1348	250	1	BOTTOM TABLE (21)
368	250	1	RIGHT SIDE (22)
368	250	1	LEFT SIDE (23)
368	250	1	MIDDLE SIDE (24)
650	240	2	MOVING SHELF
BACKREST			
1782	332	2	WHITE BACKREST
1330	348	1	WHITE BACKREST
1348	400	1	WHITE BACKREST
384	300	5	WHITE BACKREST
COVERS			
1797	347	1	RIGHT COVER
1797	347	1	LEFT COVER
174	457	4	DRAWER FRONT COVER
174	425	1	DRAWER FRONT COVER

NOTE : PLEASE HAVE AT LEAST ONE PERSON ASSISTING DURING THE ASSEMBLY.

Figure 1: Fix the BASES with 3.5*50 screws with the help of a cordless drill.

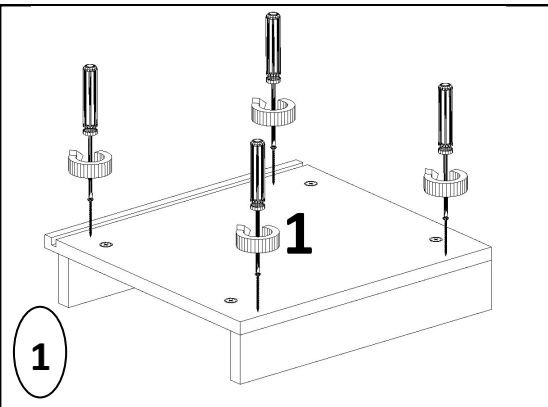
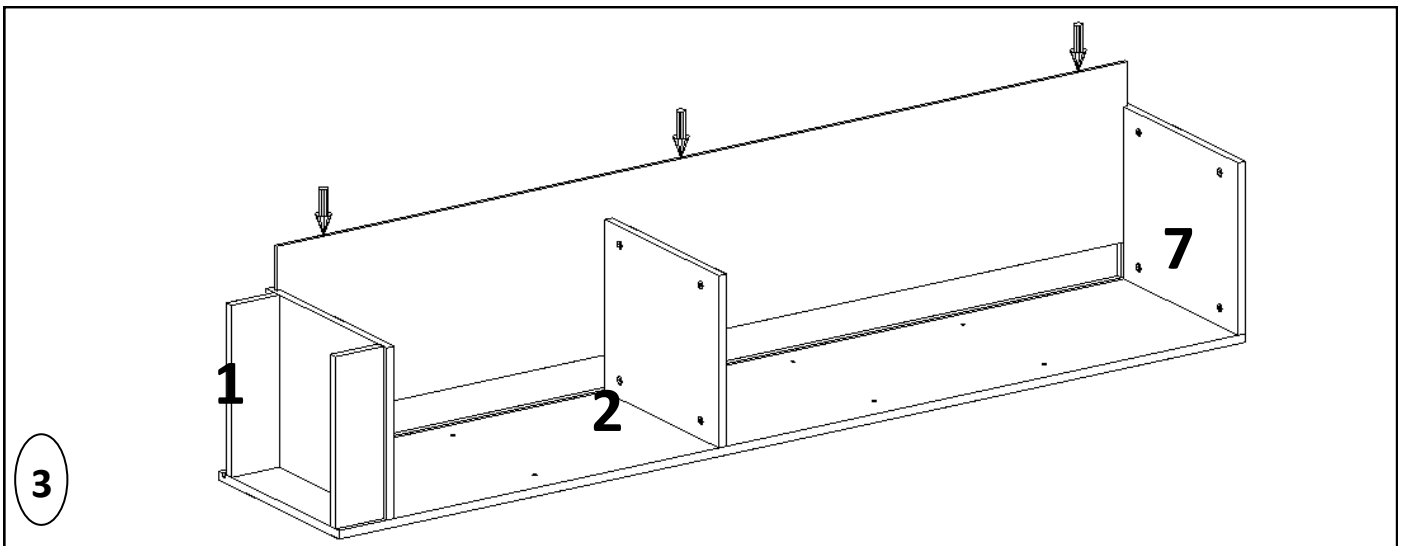
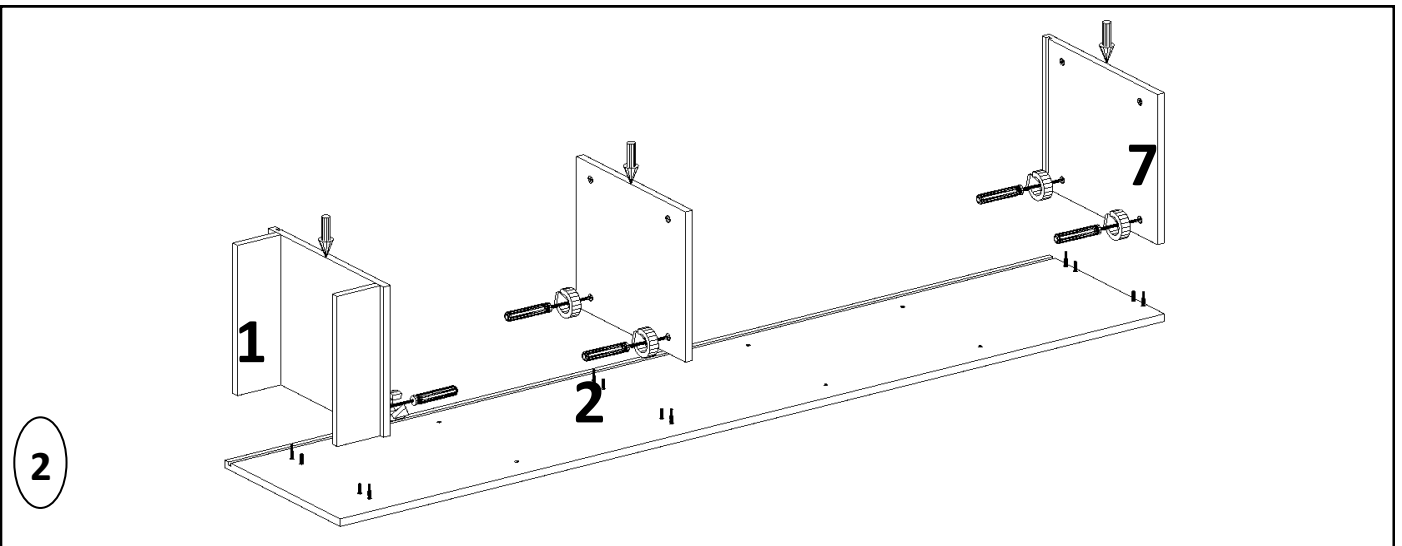


Figure 2: Lay the right side number 2, Place the bottom table , the upper table and the fixed shelf on the minifix screws and dowels, respectively. Then tighten the minifix screws.

Figure 3: Insert the back rest of the cabinet into the channel.



NOTE : PLEASE HAVE AT LEAST ONE PERSON ASSISTING DURING THE ASSEMBLY.

Place the part numbered 3 as shown in Figure 4. on the mini-fix screws and dowels and fix it. Then fix the backrest fixers with 3.5x17 screws.

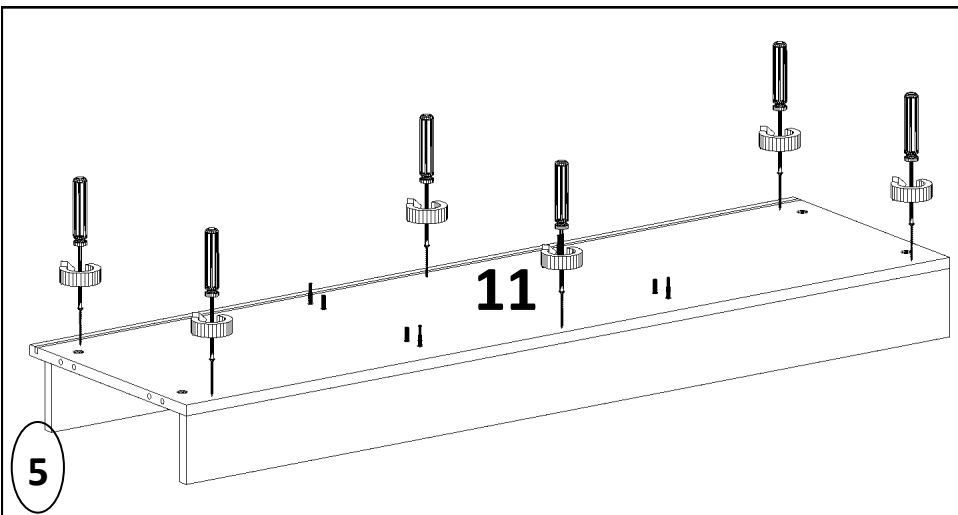
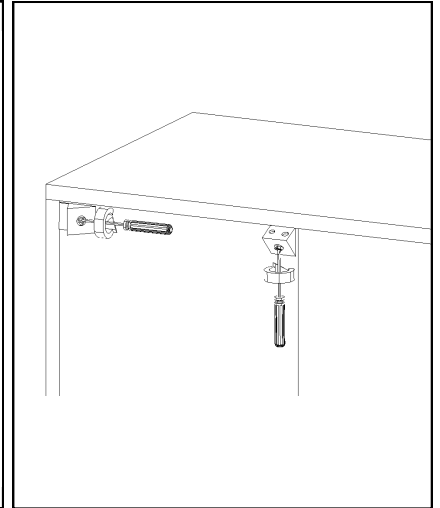
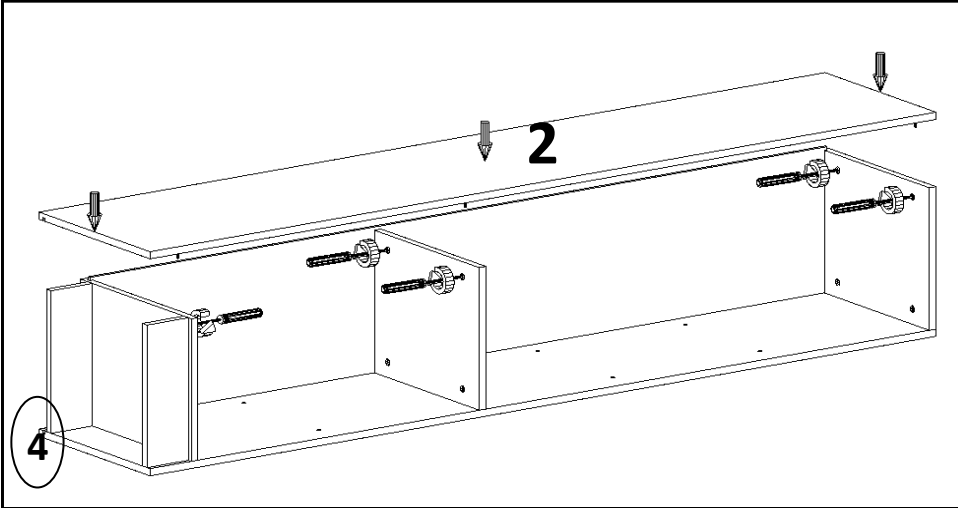
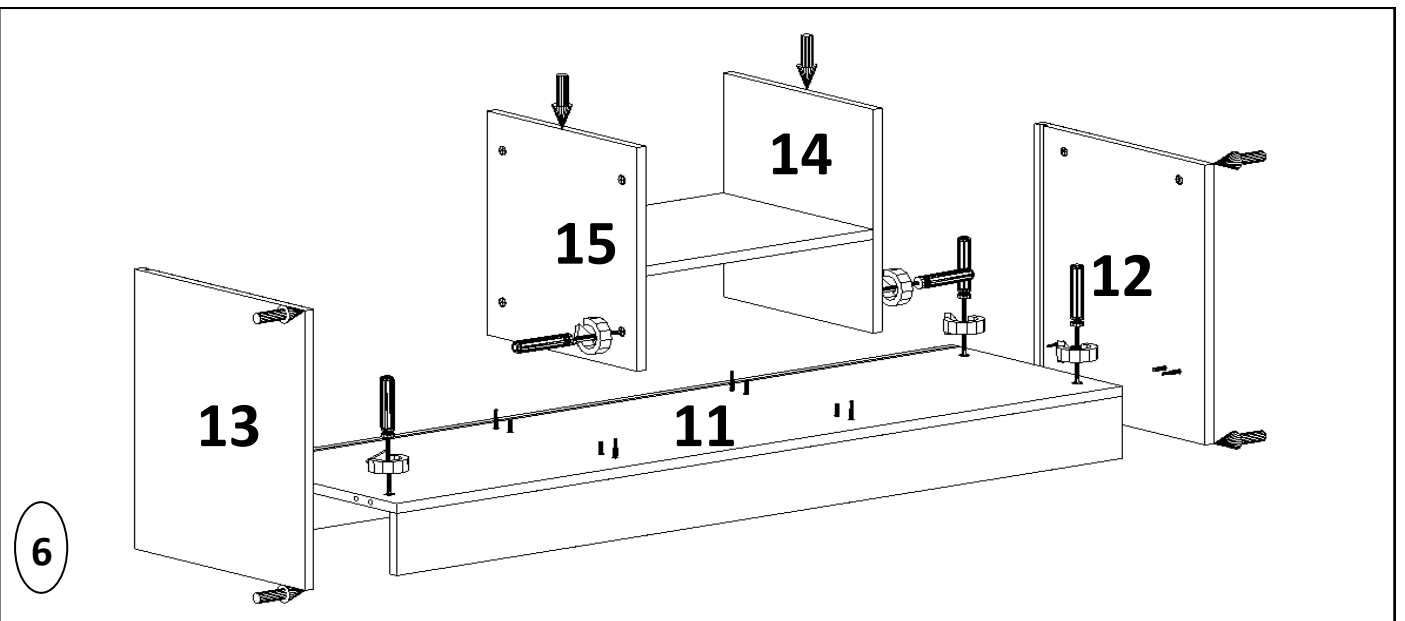


Figure 5: Fix the bases with 3.5*50 screws with the help of a cordless drill.

Figure 6: Place and fix the parts numbered 12-13-14-15.



NOTE : PLEASE HAVE AT LEAST ONE PERSON ASSISTING DURING THE ASSEMBLY.

Figure 7: Insert the back rest of the cabinet into the channel.

Figure 8: Place and fix part 7

Figure 9: Fix the drawer rails through the specified screw holes.

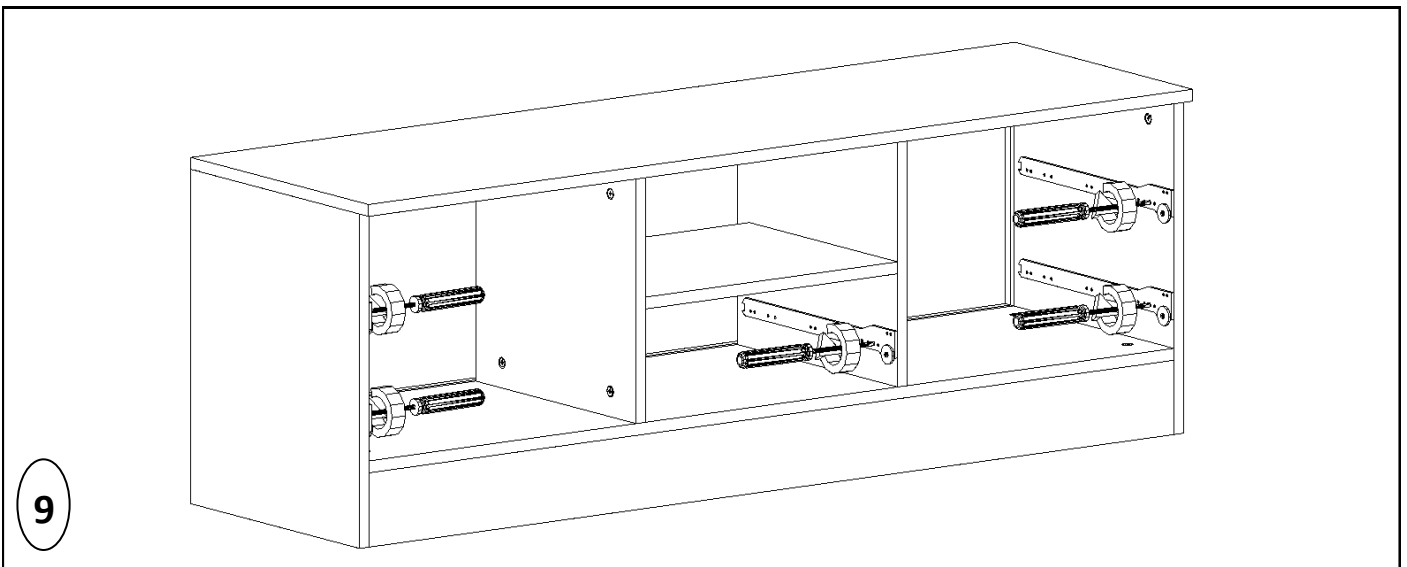
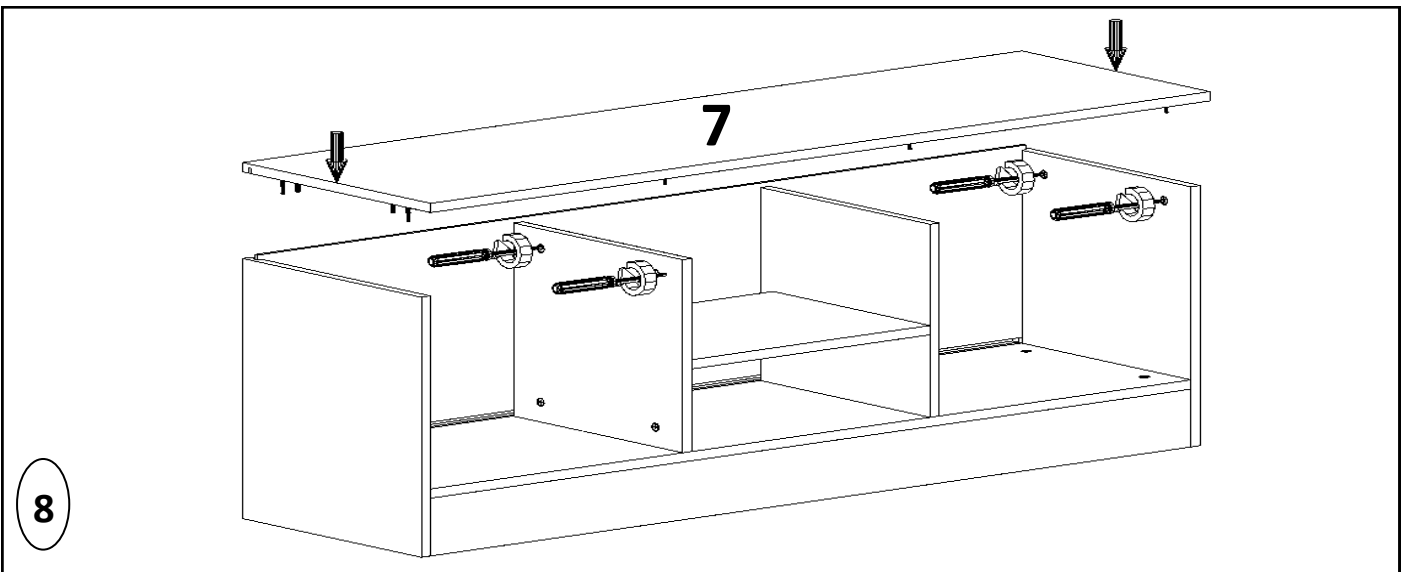
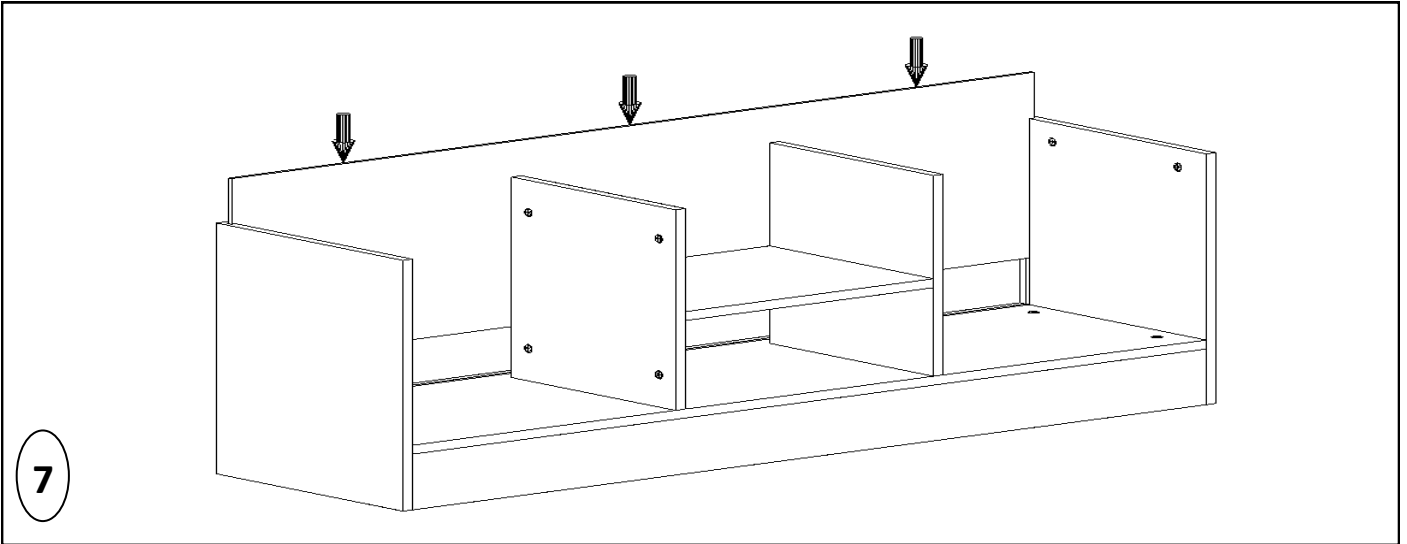


Figure 10: Lay the part which is numbered 21. and place and fix the tables number 22-23-24.
Figure 11: Place and fix the part number 27.
Turn the cabinet upside down and fix with the help of a hammer as shown in Figure 12.

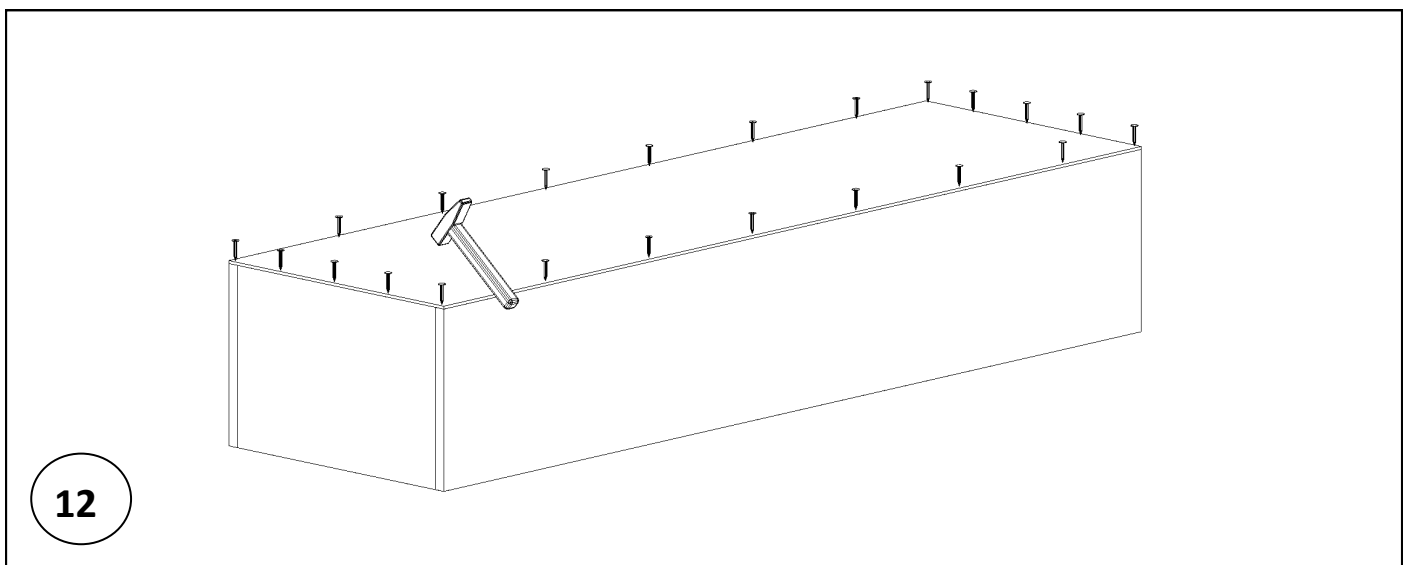
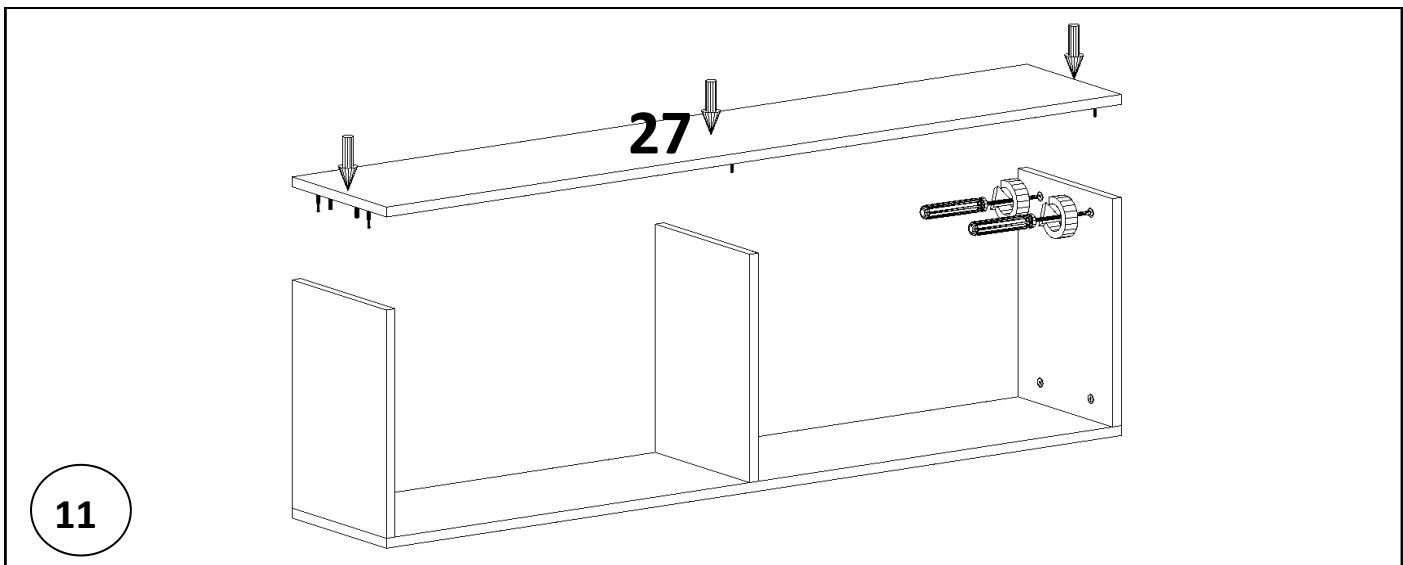
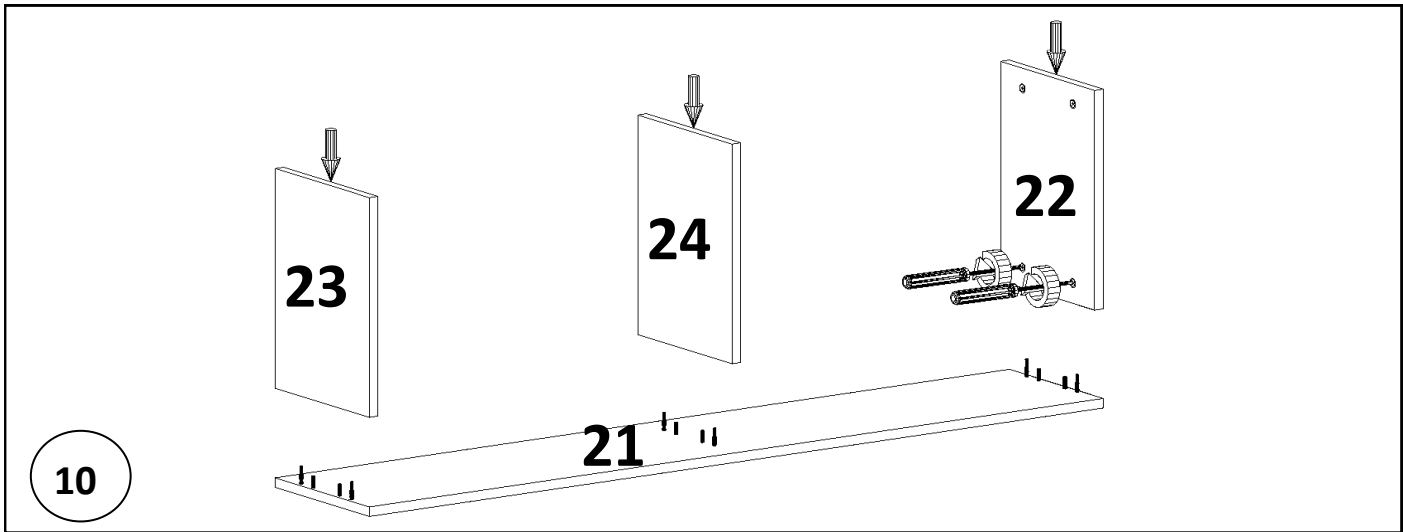
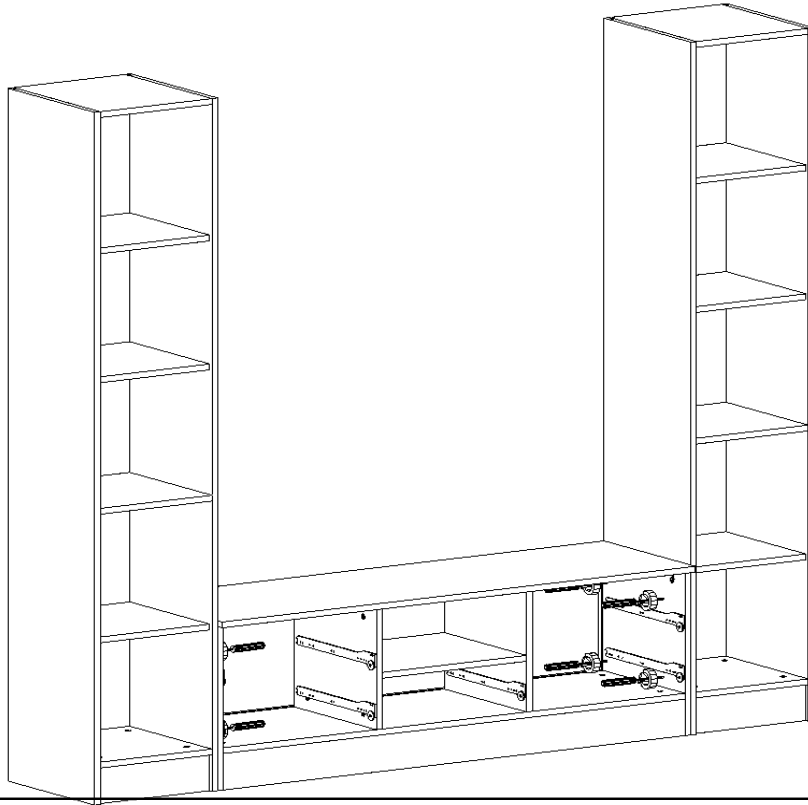
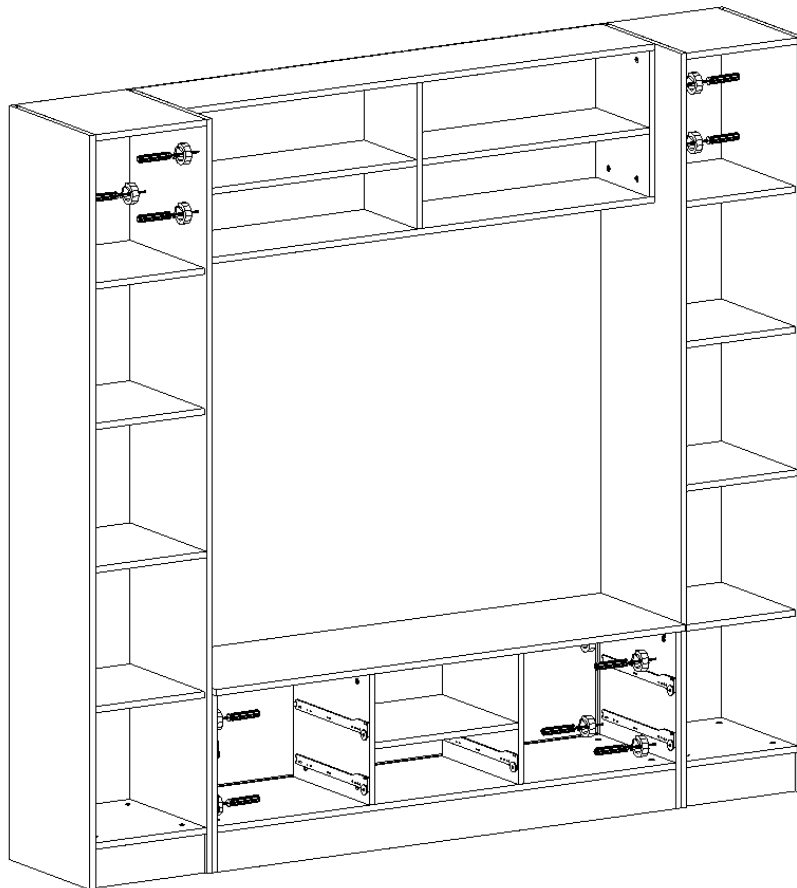


Figure 13: Attach the 2 pcs tall completed cabinets to the bottom module as shown below and fix them to each other with 3.5X30 screws at the places .
Figure 14: Bring the upper cabinet together as shown in the figure and fix them with 3.5x30 screws from the screw holes specified in the tall cabinet.
After the cabinet fixing process will be completed, as a final step place the doors and drawers.

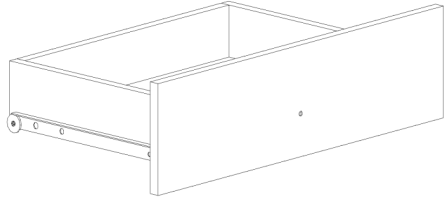
13



14

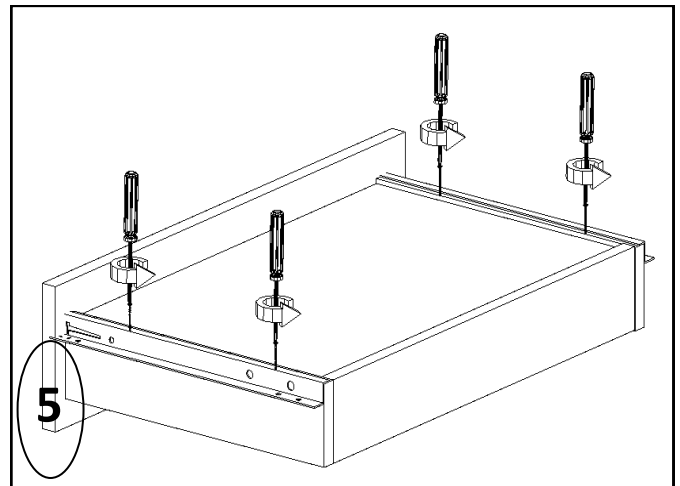
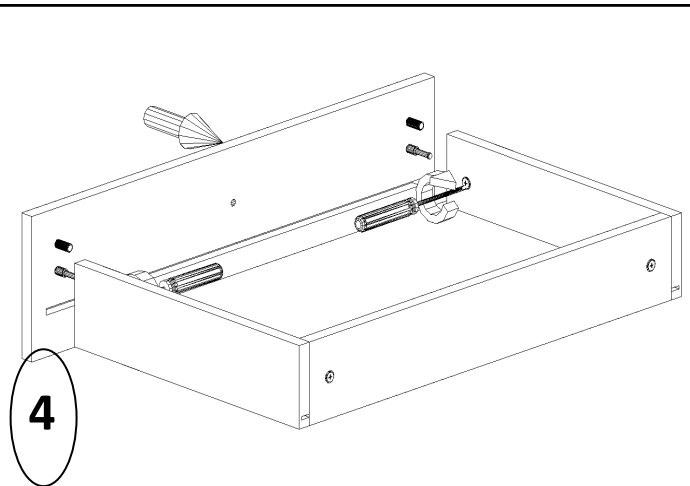
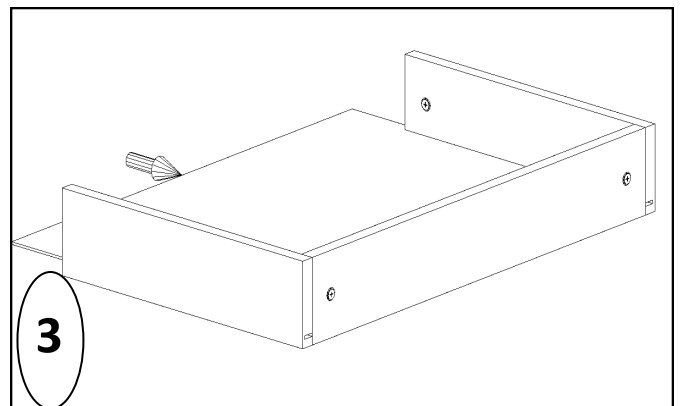
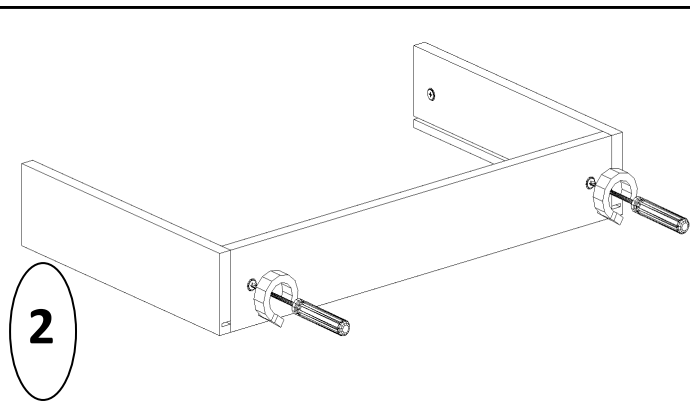
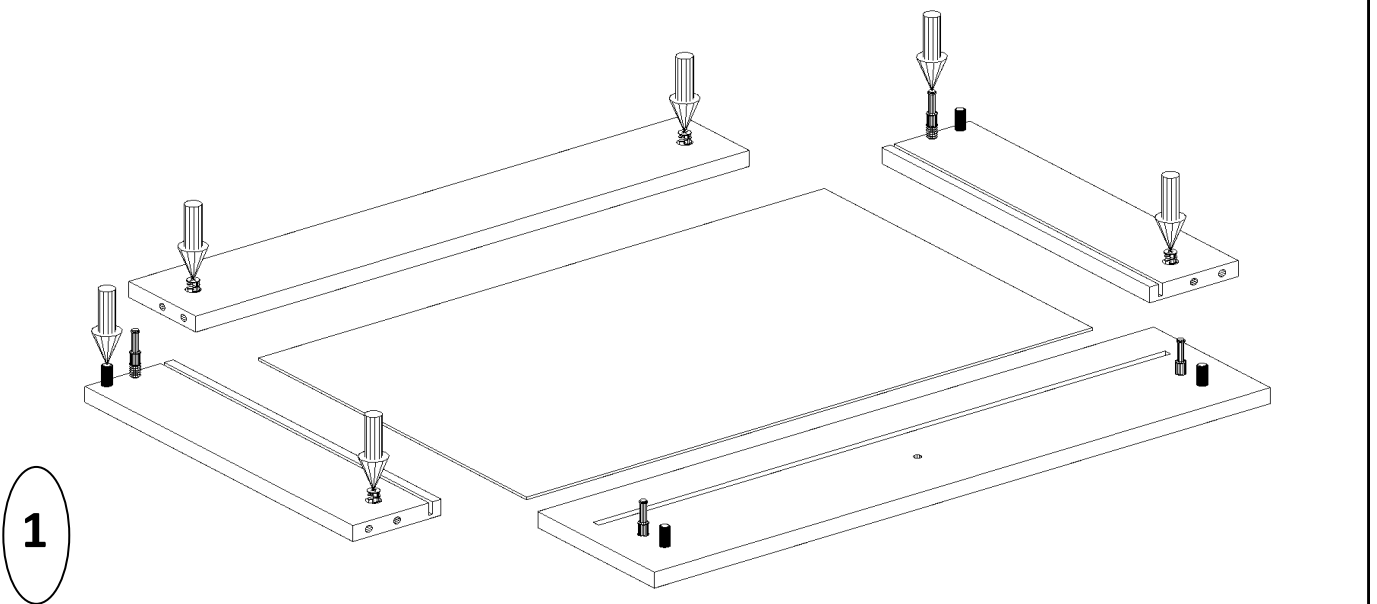


DRAWER CASE INSTALLATION



Before starting the drawer case installation, place the furniture materials as in figure 1. Place the chipboard panels on the minifix screws and dowels as in figure 2 and fix the minifix screws.

Insert the backrest into the channel. Then place the drawer cover on the minifix screws and dowels as in figure 4 and fix the minifix screws.



NOTE : PLEASE HAVE AT LEAST ONE PERSON ASSISTING DURING THE ASSEMBLY.



Evu Home

F U R N I T U R E & D E C O R

If you require assistance with any of our products please send an email to order@evuhome.com

Homeaglobe Ltd.

www.evuhome.com

**Registered: 4 Edgecot Grove, Tottenham,
London, England, N15 5HD**

**Warehouse: Unit 4a Tower Road Business
Park, Redearth Road, Darwen, BB3 2DU, UK**

Tel. 08000016019