

INSTALLATION INSTRUCTIONS

SHOWER DOORS • TUB DOORS

MODELS:

TUB DOORS: LBTDD6062

SHOWER DOORS: LBSDD4876
LBSDD6076
LBSDD7276

PREPARATION

1. After opening all boxes and packages, read this introduction carefully. Check that all of the needed parts are included in the package by marking all the components on the "Detailed Diagram of Shower Door Components". Examine boxes and packages for shipping damage. If the unit has been damaged, has a finishing defect, or is missing parts, please contact our customer support department to be served immediately. Please note that LessCare will not replace any damaged products or missing parts free of charge after 5 business days or if the product has been installed. Feel free to contact LessCare if you have any questions.
2. Please note that you should consult your local building codes with questions on installation compliance standards. Building and plumbing codes may vary by location, and LessCare is not responsible for code compliance standards for your project and will not accept any returns.
3. Prior to installation, ensure that the installation surface is leveled and solid and will be able to support the total weight of the unit. Also, make sure the walls are at the right angles. Irregular installation surface level or improper angle of side walls will result in serious problems during installation. Please, note that some adjustments and drilling might be necessary during the installation process.
4. **NOTE!** This door does not have out-of-plumb adjustment. Make sure your walls are at right angles.
5. This door requires a minimum 23/4" wide threshold, base or installation space. Please note that Step 6 calls for installation of the door to the wall using anchors. However, the manufacturer strongly recommends installing these heavy doors to the studs or to preinstalled 2" x 6" wood reinforcements behind the wall and attach the Wall brackets to it.

Attention: This door is extremely heavy and requires professional installation. Instructions are given for the shower door installation. Please, follow the same instructions to install the tub door.

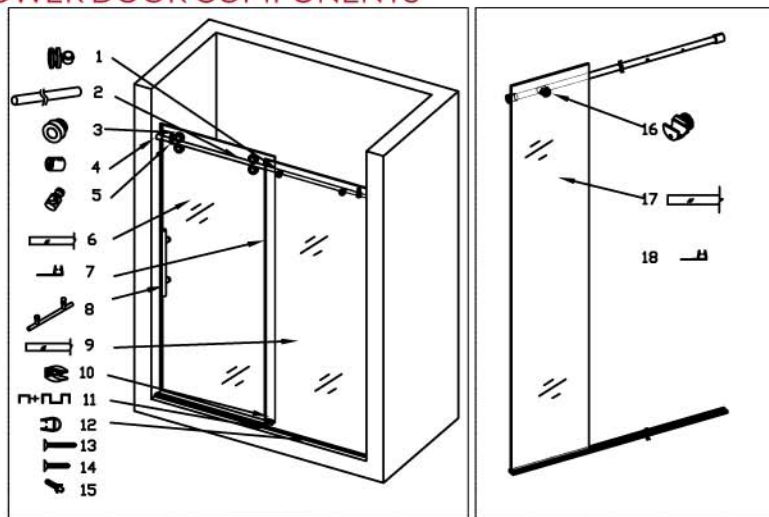
TOOLS REQUIRED



NOTE: Unpack your unit carefully and inspect it. Lay it out and identify all parts using parts diagram and part list in your manual as a reference. Before discarding the carton, check for small hardware bags that tend to fall to the bottom of the box. If any parts are damaged or missing, please contact the retail store where you have purchased the product.



SHOWER DOOR COMPONENTS



1	Glass Bracket	2 pcs
2	Upper Guide Rail	1 pc
3	Roller	4 pcs
4	Guide Rail Bracket	2 pcs
5	Glass Door Stopper	2 pcs
6	Glass Door	1 pc
7	Side Anti-Water Strip	1 pc
8	Handle	1 pc
9	Fixed Glass	1 pc
10	Guide Block	1 pc

11	Anti-splash SS Threshold	1 pc
12	A-shape Strip	1 pc
13	Countersunk Screw M4X45	2 pcs
14	Countersunk Screw M4X25	2 pcs
15	Wall Anchor	4 pcs
16	Glass Bracket for Small Fixed Glass	1 pc
17	Small Fixed Glass	1 pc
18	Side Anti-Water Strip	1 pc

RETAIN THESE INSTALLATION INSTRUCTIONS FOR FUTURE REFERENCE!

INSTALLATION INSTRUCTION

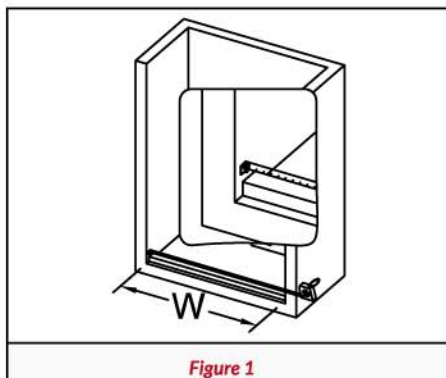


Figure 1

A. Measure the distance between two finished walls with tape measurement tool. That distance on the scheme is marked as "W".

See Figure 1 for details.

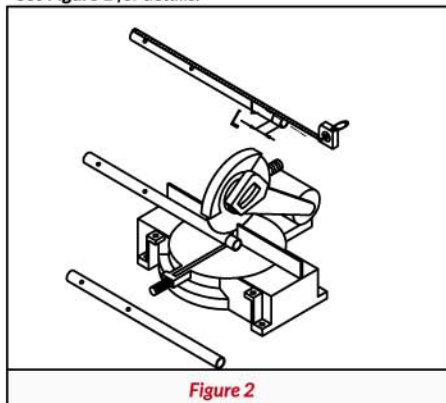


Figure 2

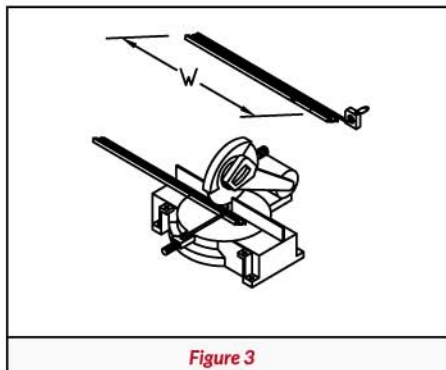


Figure 3

B. Your upper guide rail (2) and anti-splash SS threshold have been pre-cut for your shower model opening width: 48" or 60" or 72". If W-width of your wall to wall opening is equal to the size of your shower model, it is not necessary to cut the guide rail and you can continue to step C.

If W width of your wall to wall opening is less than the size of your shower model, you will need to cut the guide rail (from the the end which is father from the glass bracket (1) and the threshold . The end to cut off will be L:

L= Subtract W from the size of your shower model .

See Figure 2 & 3 for details.

Example: If the wall opening W=47".

Your shower door width is 48".

$L=48" - 47"=1"$. You have to cut 1" off from the upper guide rail and the anti-splash aluminum threshold.

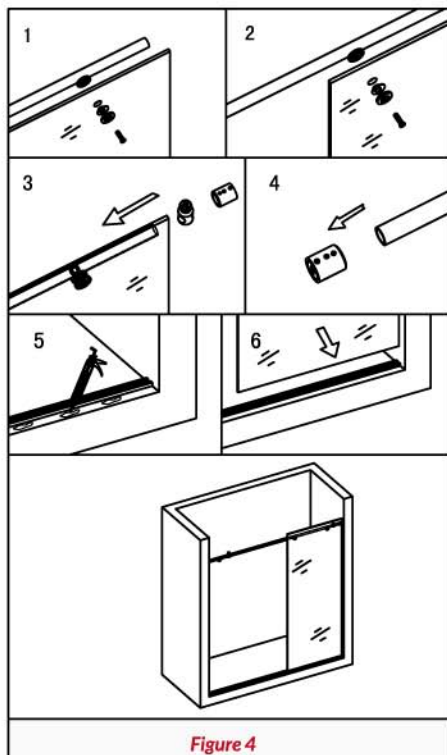


Figure 4

C. Attach the **upper guide rail (2)** onto the **fixed glass (9)** with the **glass brackets (1)** and tighten the set screws.

Slide the **glass door stopper (5)** on each end of the **upper guide rail (2)** and secure them temporarily.

Slide the **guide rail brackets (4)** on each end of the **upper guide rail (2)** and secure them temporarily as well.

Apply silicone on the bottom of the **threshold (11)** along the center line. Place the threshold (11) into the designated position parallel to the back wall.

Place the **fixed glass (9)** into the groove of the threshold (11) and butt it against the wall.

Make sure the **fixed glass (9)** and the **upper guide rail (2)** are level. If a horizontal adjustment is required, adjust it in the **glass brackets (1)**.

See Figure 4 for details.

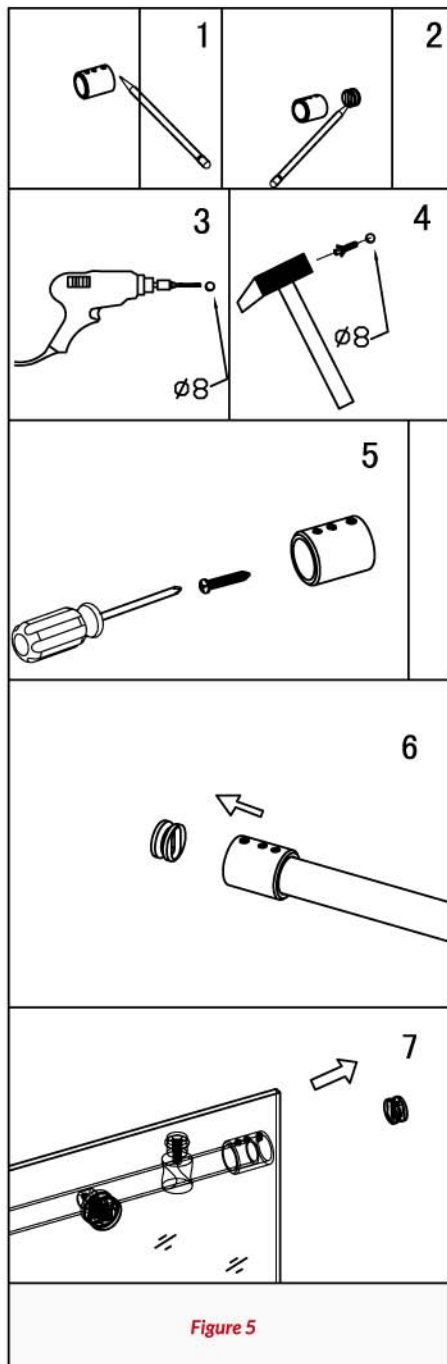


Figure 5

D. Outline the **guide rail brackets (4)** position on the wall. Put the **fixed glass (9)** aside.

Remove the **guide rail brackets (4)** from the **upper guide rail (2)**, and place the bracket to the outlined positions and mark the drill holes.

Now drill the holes with drill bit ($\Phi 8\text{mm}$) and insert the **wall anchor (15)**. Mount the guide rail bracket (4) to the wall with **countersunk screw M4x45 (13)**.

See Figure 5 for details.

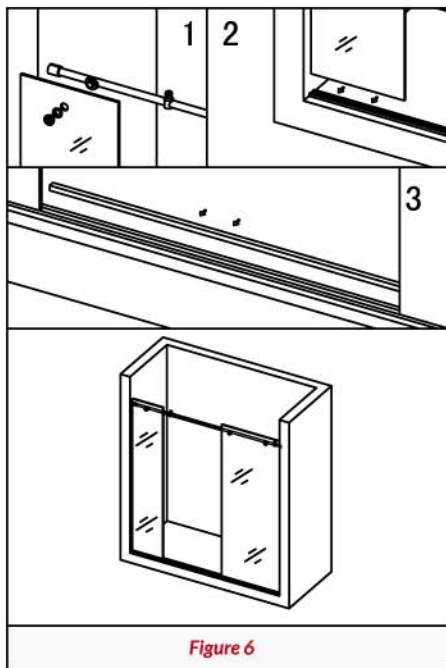


Figure 6

E. If the width of your door is 72" and you need to install the door with the small fixed glass (17). Attached the glass bracket for the small fixed glass (16) to the upper guide rail (4) and slide the small fixed glass (17) into the groove of the threshold (11).

See Figure 6 for details.

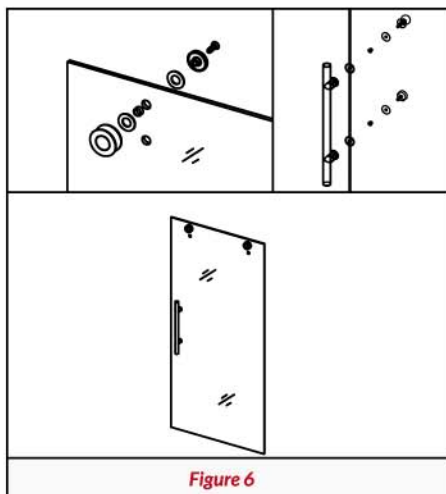


Figure 6

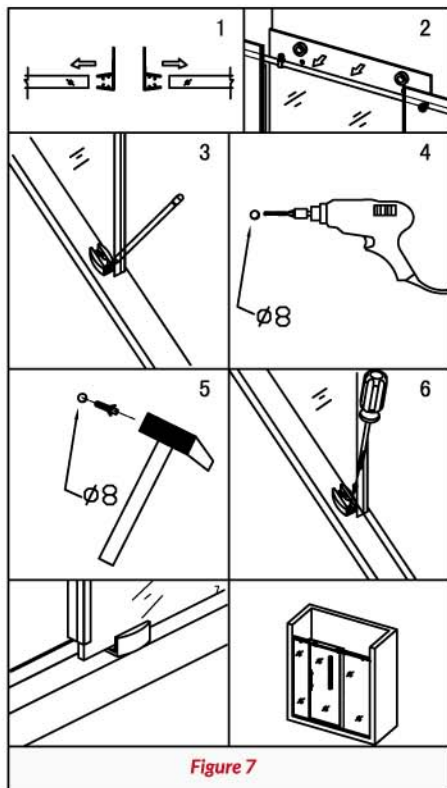


Figure 7

G. Slide the side anti-water strip (7) (18) to the fixed glass (9) (17).

Suspend the door by hanging the rollers onto the upper guide rail.

Place the guide block (10) on the floor, slide it to the edge of the glass door (6) and parallel it to the fixed glass (9). It should not pass beyond the vertical edge of the glass.

Put aside the glass door.

Now mark the drilling hole of the guide block (10), drill the hole with drill bit ($\Phi 8\text{mm}$) and insert the wall anchor (15), fasten the guide block (10) to the floor with countersunk screw M4x25 (14).

See Figure 7 for details.

F. Attach the rollers (3) to the glass door (6). Install the handle (8) to the glass door (6).

See Figure 6 for details.

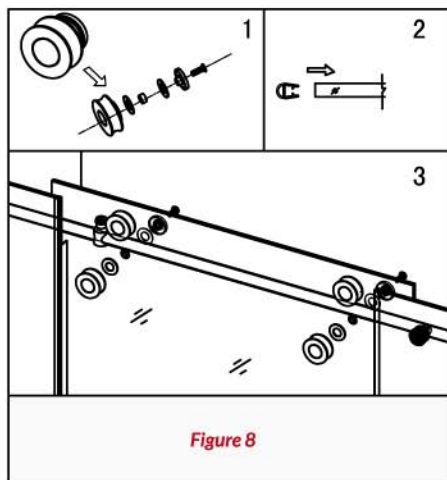


Figure 8

H. Mount the two lower rollers (3) onto the glass door (6) to secure the glass door to the upper guide rail (2).

Adjust the fasteners on both top rollers (3) to ensure that the bottom edge of the glass door (6) does not touch the bottom of the guide block (10). Tighten the fasteners.

Place the A-shape Strip (12) to the glass door (6).

See **Figure 8** for details.

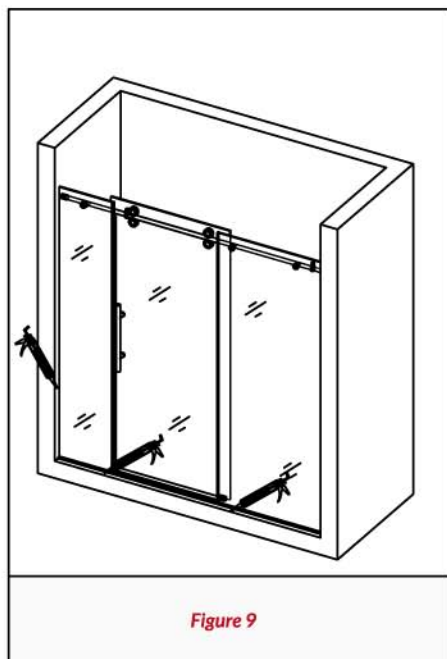


Figure 9

I. Apply silicone along the connection of the fixed glass (9) (17), and the wall. Apply additional layer of silicone along the threshold (11)

See **Figure 9** for details.

PRODUCT MAINTENANCE

To ensure long lasting life of your glass shower products, wipe them off after each use with a soft cloth. Rinse and wipe off the glass using either soft cloth or squeegee to prevent soap buildup. Never use abrasive cleaners and cleaning products that contain scouring agents as this may scratch the surface. Never use bristle brushes or abrasive sponges.

To ensure a long lasting hardware finish, wipe off the metal parts after each use with a soft cloth. Do not use abrasive cleaners or cleaning products containing ammonia, bleach or acid. If accidentally used, rinse the surface as soon as possible to prevent finish peeling or corrosion. After cleaning the shiny finishes, rinse thoroughly and wipe dry with soft cloth. Clean stainless steel surfaces at least once a week. When applying stainless steel cleaner or polish, work with (not against/across) the grain. Never use an abrasive sponge or cloth, steel wool or wired brushes.

