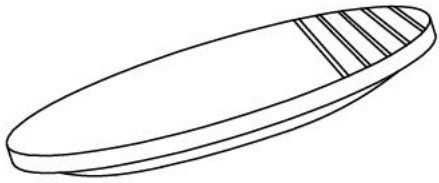
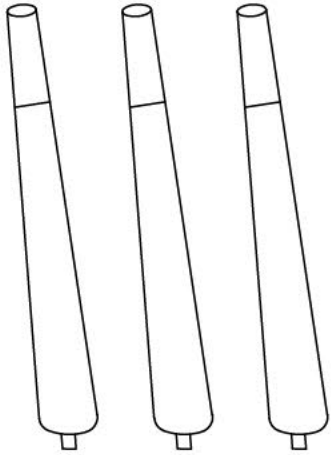


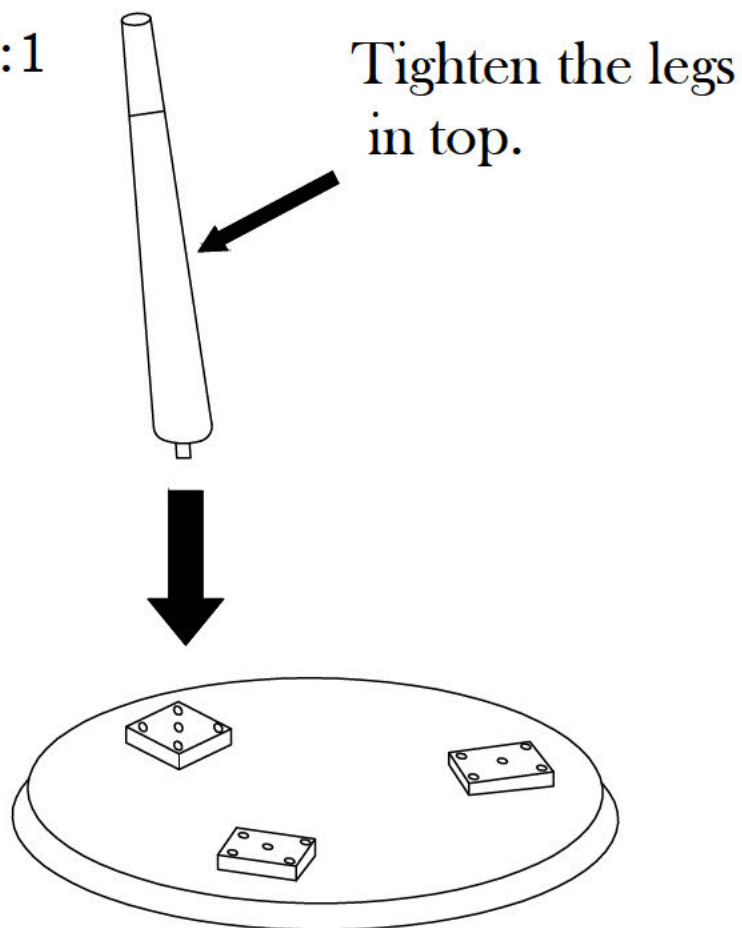
ASSEMBLY INSTRUCTION

PART LIST:

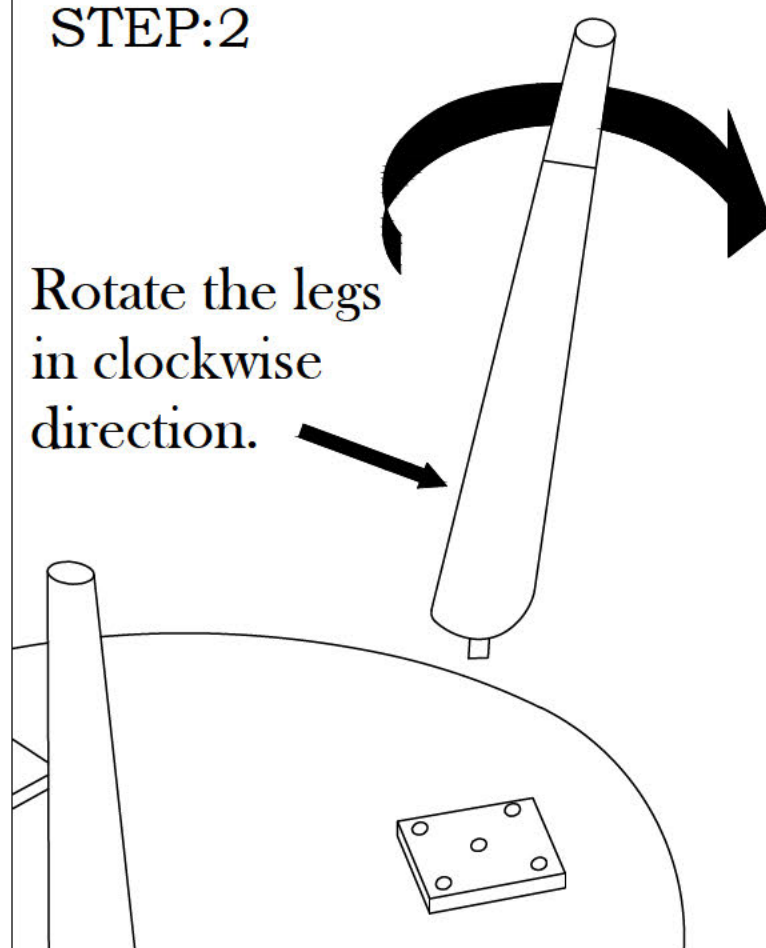
LABEL	PICTURE	DESCRIPTION	QTY.
A)		Marble Top	01 pc.
B)		Wooden Leg	03 pcs.

STEPS:

STEP:1



STEP:2



FINAL PICTURE

