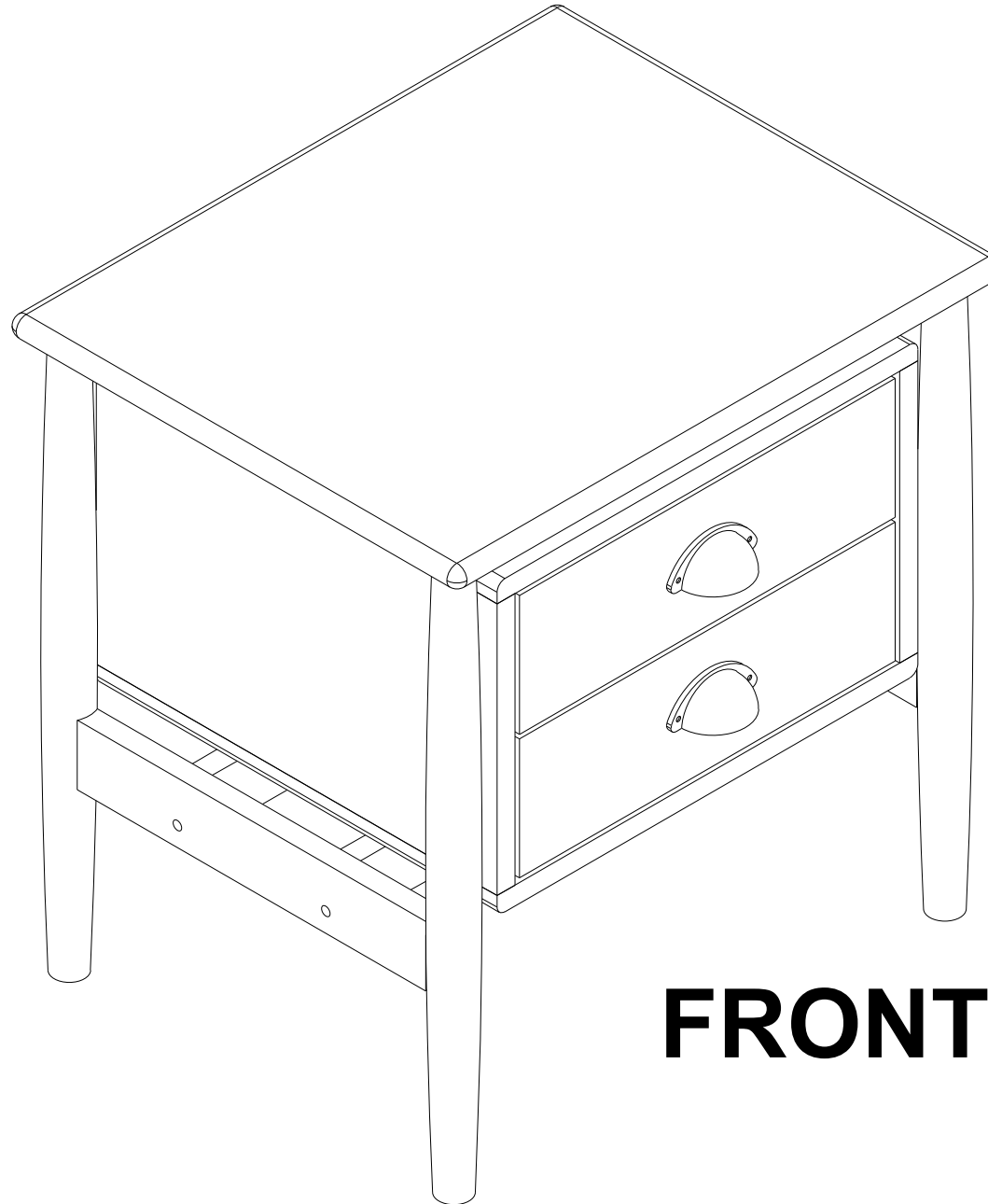


# ASSEMBLY INSTRUCTION

WF308314AAD

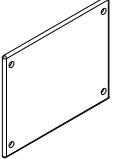

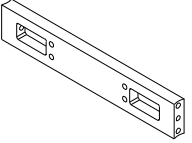
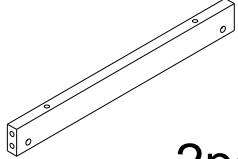
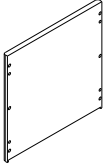
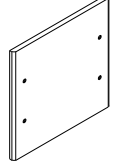
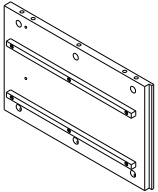
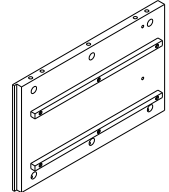
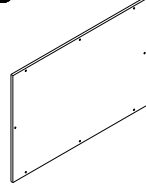
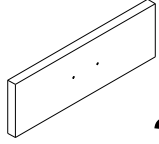
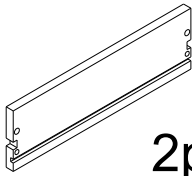
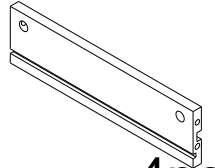
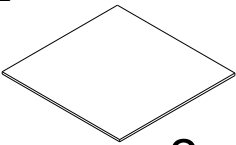
**REAR**



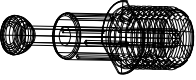



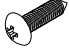


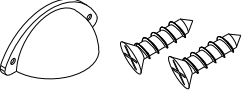

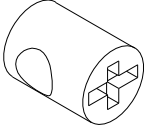
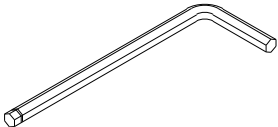
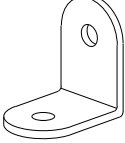
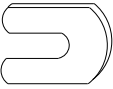
**FRONT**



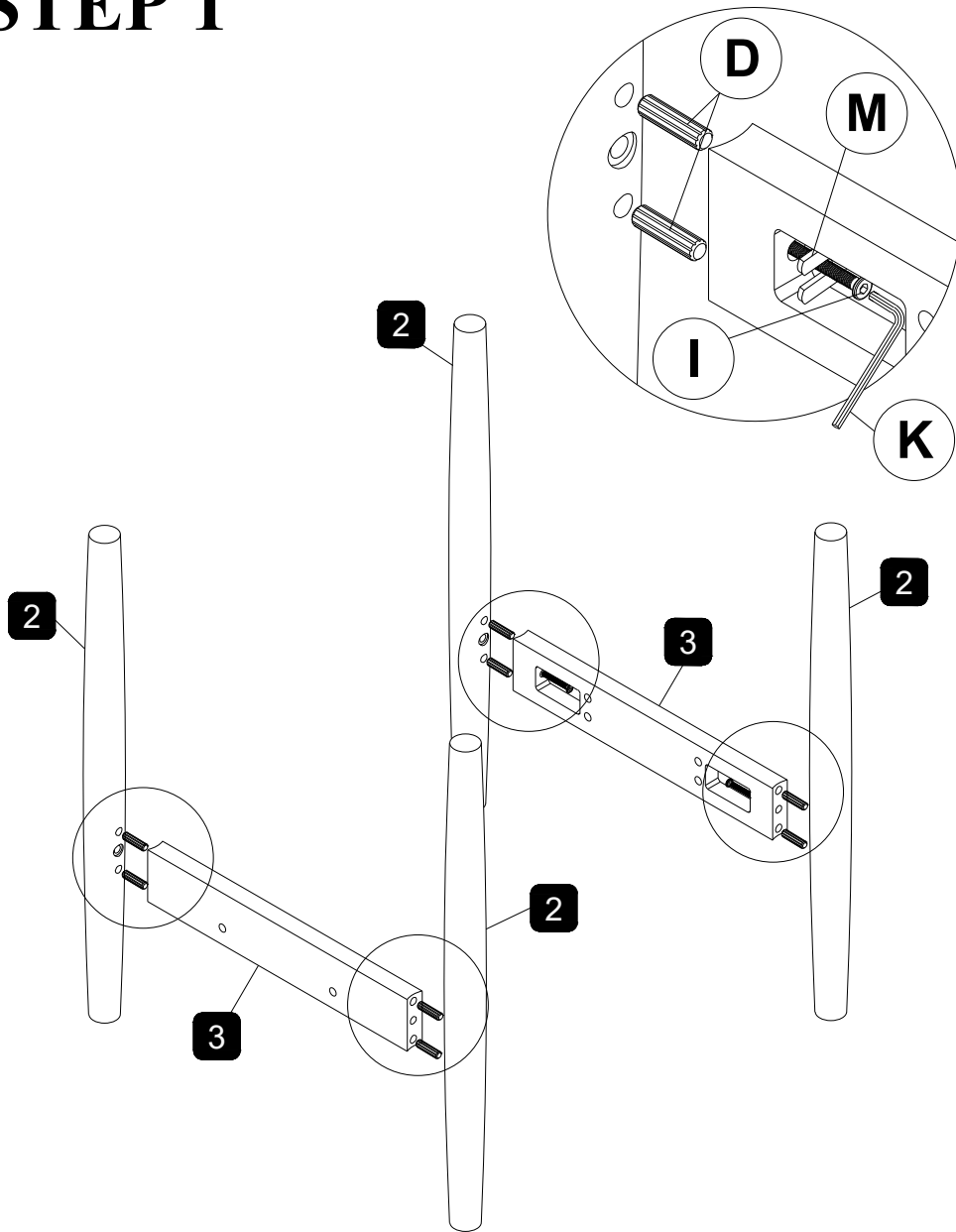
# PART LIST

<b>1</b> Table Top  1pc	<b>2</b> Post  4pcs	<b>3</b> Support Rail  2pcs	<b>4</b> Bottom Rail  2pcs	<b>5</b> Upper panel (Box)  1pc	<b>6</b> Bottom Panel (Box)  1pc
<b>7</b> Side Panel (Left)  1pc	<b>8</b> Side Panel (Right)  1pc	<b>9</b> Back Panel  1pc	<b>10</b> Drawer Front Panel  2pcs	<b>11</b> Drawer Back Panel  2pcs	<b>12</b> Drawer Side Panel  4pcs
<b>13</b> Drawer Base Panel  2pcs					

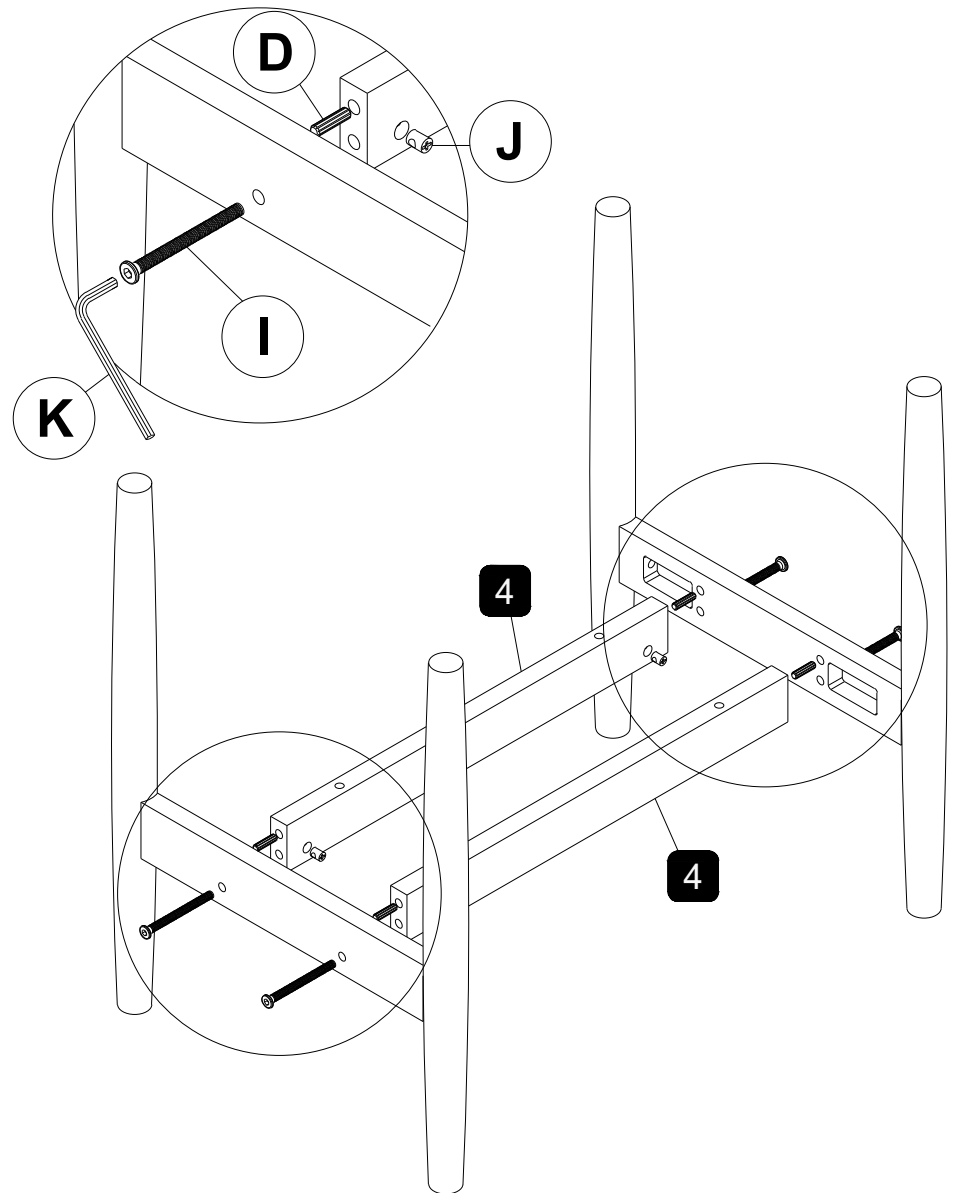
# HARDWARE LIST


<p><b>A</b> MINI FIX SPREADING BOLT 24MM</p>  <p>20pcs</p>	<p><b>B</b> MINIFIX HOUSING Ø15*12MM</p>  <p>12pcs</p>	<p><b>C</b> MINIFIX HOUSING Ø15*10MM</p>  <p>8pcs</p>	<p><b>D</b> WOOD DOWEL M8*30MM</p>  <p>28pcs</p>	<p><b>E</b> PAN HEAD M3.5*16MM</p>  <p>8pcs</p>	<p><b>F</b> CSK SCREW M3.5*16MM</p>  <p>8pcs</p>
<p><b>G</b> SHELF SUPPORT</p>  <p>4pcs</p>	<p><b>H</b> HANDLE</p>  <p>2sets</p>	<p><b>I</b> JCBC M6X50MM</p>  <p>12pcs</p>	<p><b>J</b> Barrel Nut</p>  <p>4pcs</p>	<p><b>K</b> M4 ALLEN KEY WITH BALL</p>  <p>1pcs</p>	<p><b>L</b> L bracket</p>  <p>4pcs</p>
<p><b>M</b> U WASHER</p>  <p>4pcs</p>					

# STEP 1




# STEP 2




 D X 8pcs


 I X 4pcs


 K X 1pc

 M X 4pcs

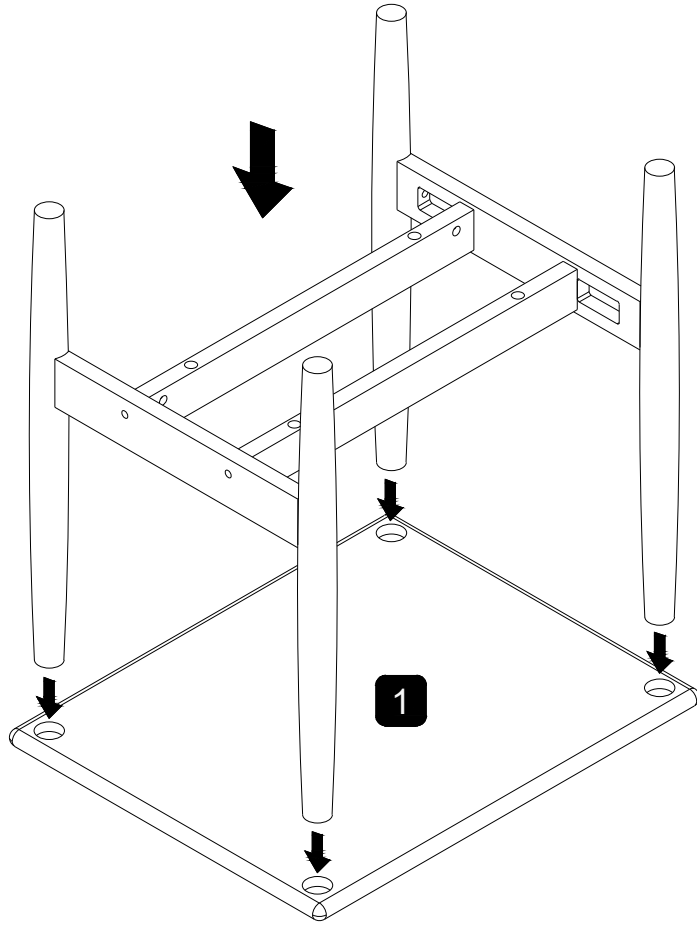
 D X 4pcs

 I X 4pcs

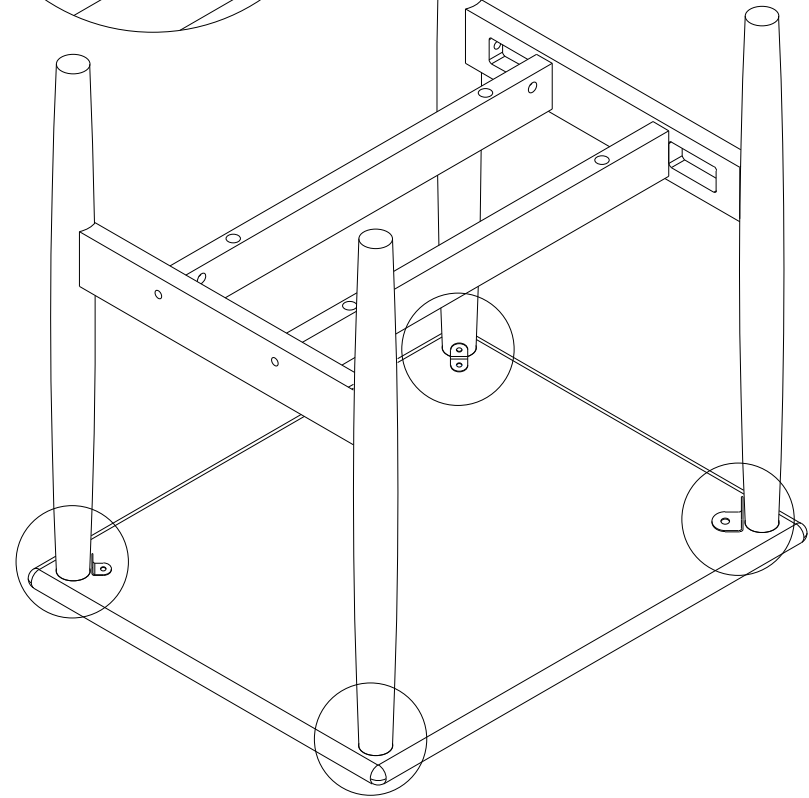
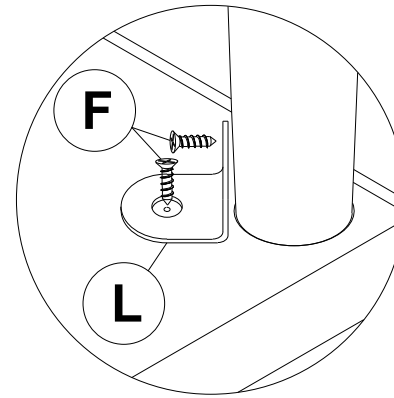
 J X 4pcs


 K X 1pc

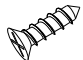
# STEP 3



# STEP 4

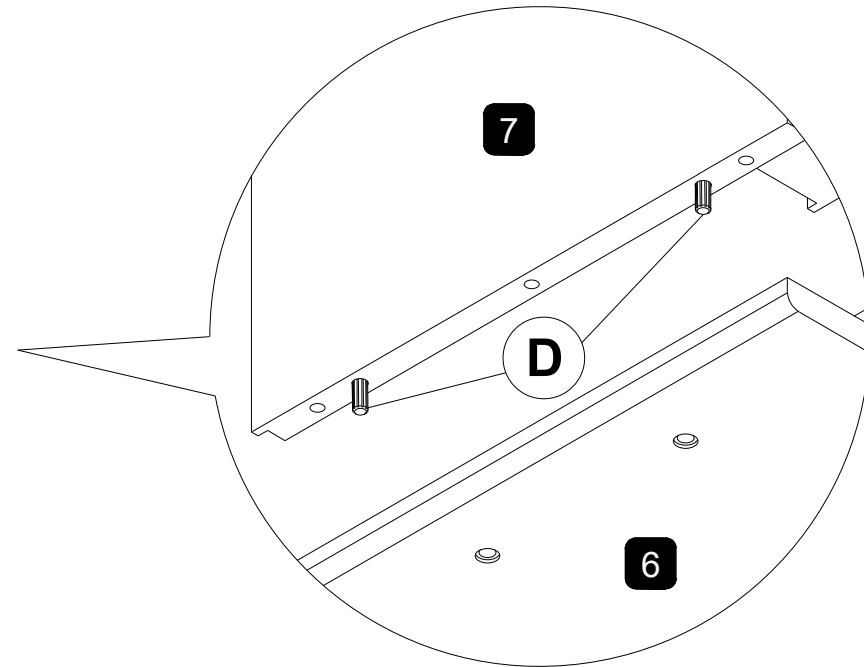
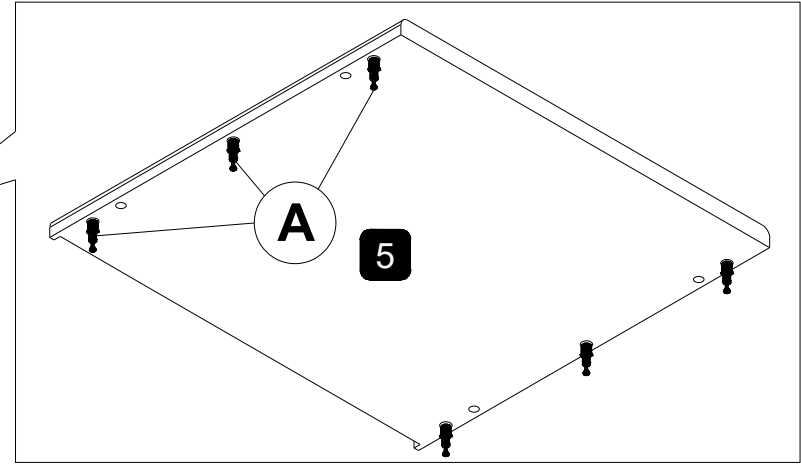
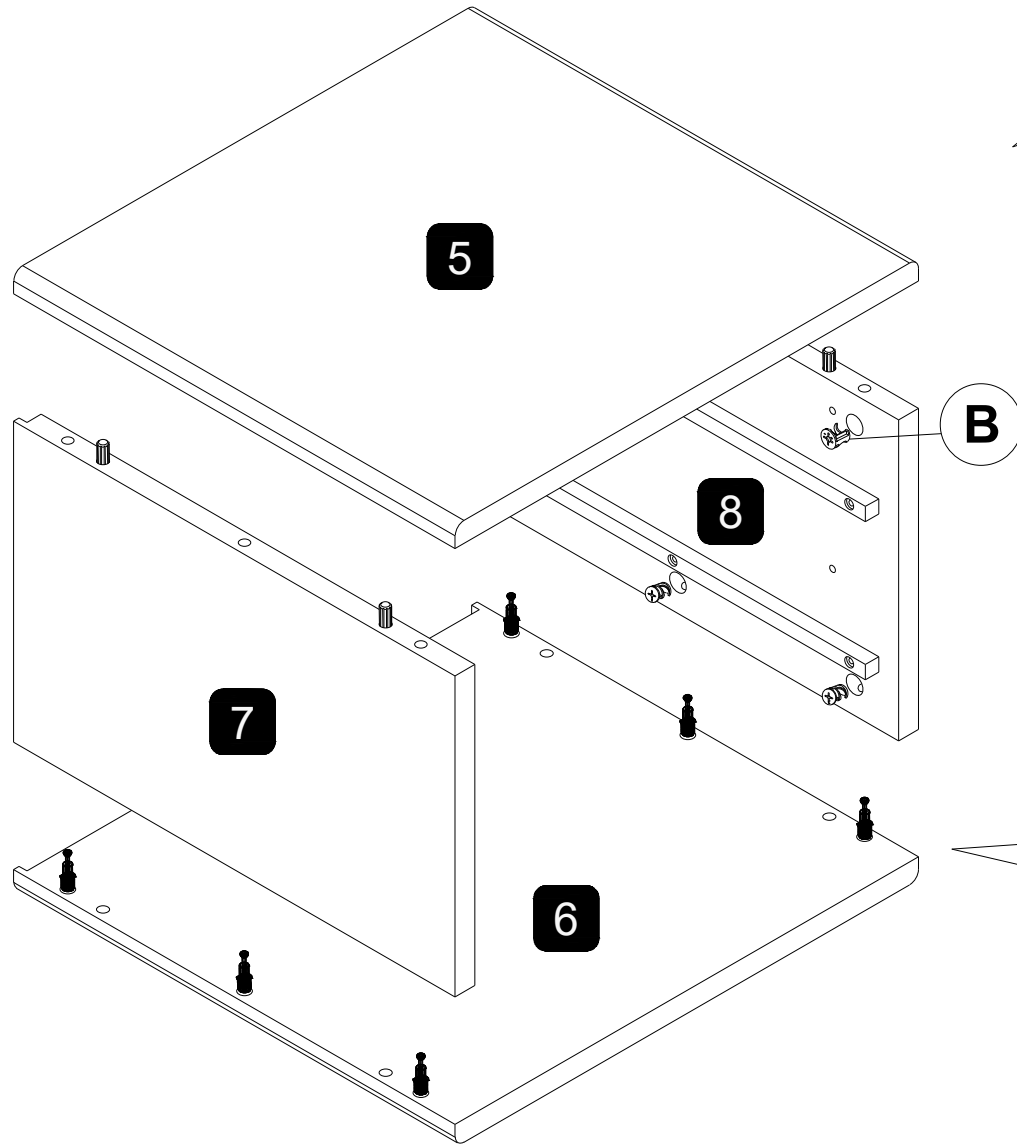


  
L X 4pcs

  
F X 8pcs



# STEP 5



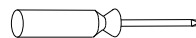
A X 12pcs



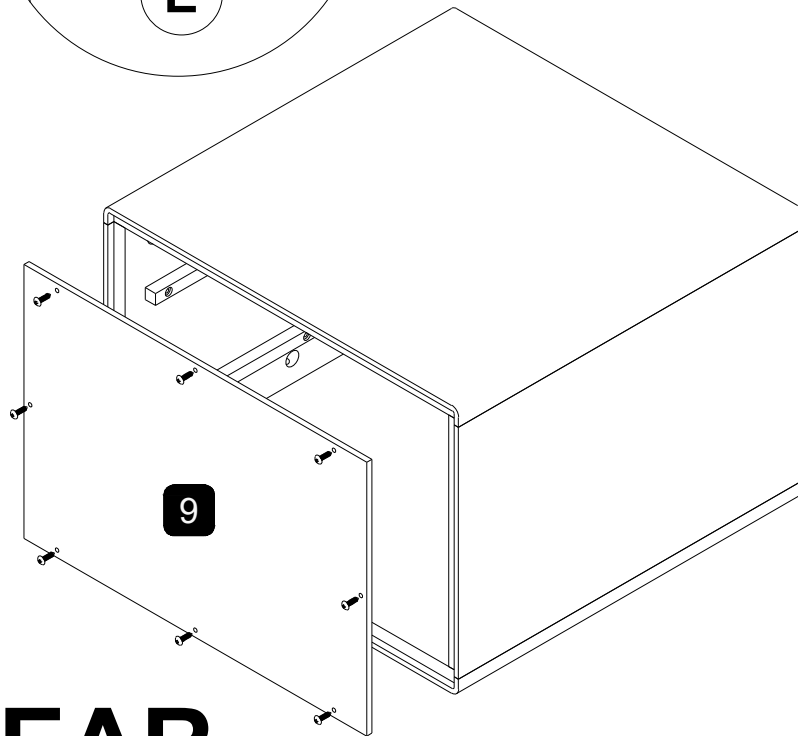
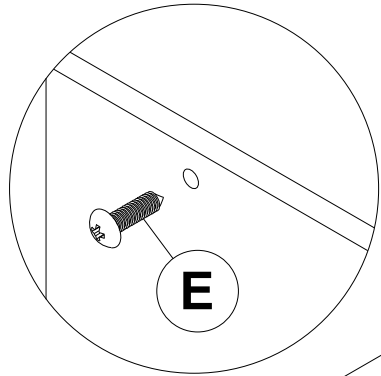
B X 12pcs



D X 8pcs

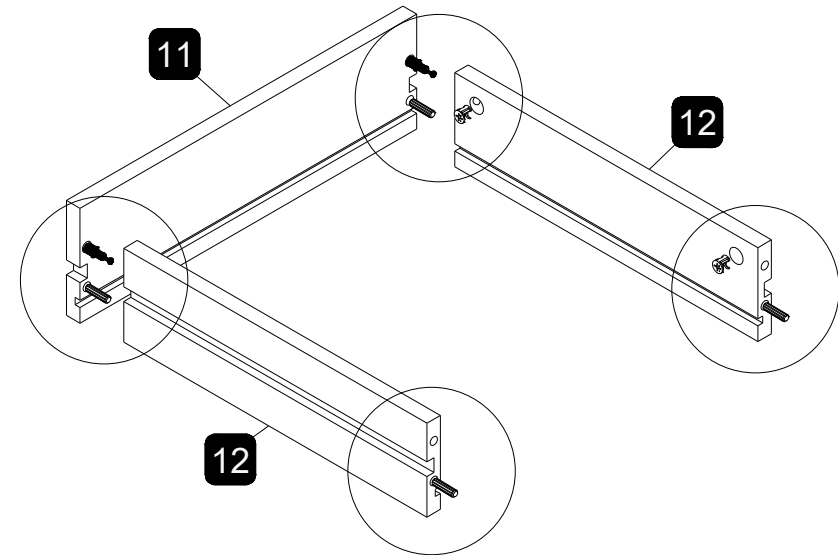
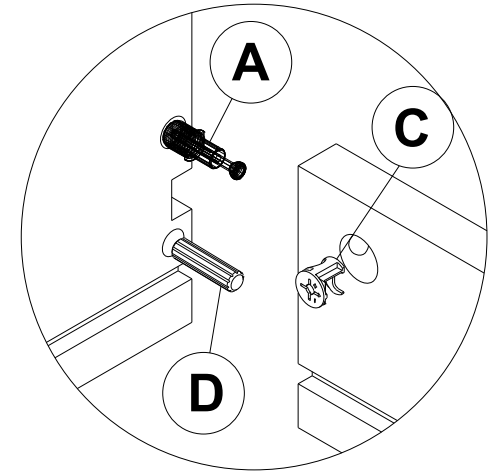


# STEP 6

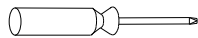



# REAR

# STEP 7




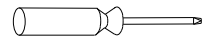
 E X 8pcs



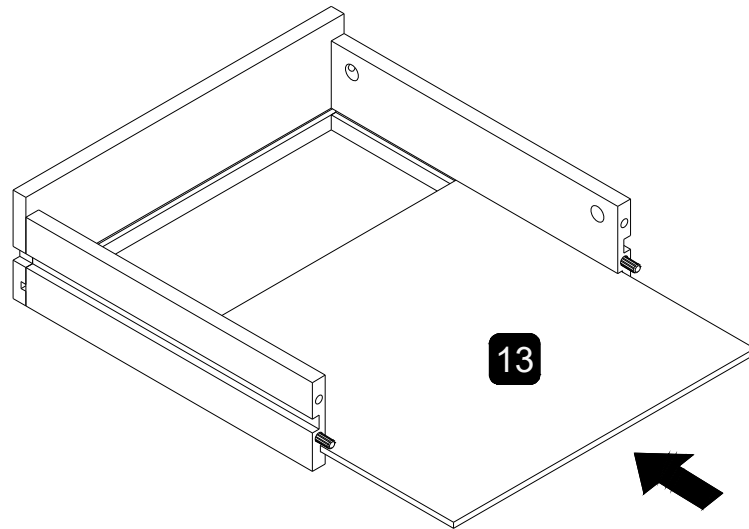
 A X 4pcs

 C X 8pcs

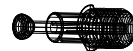
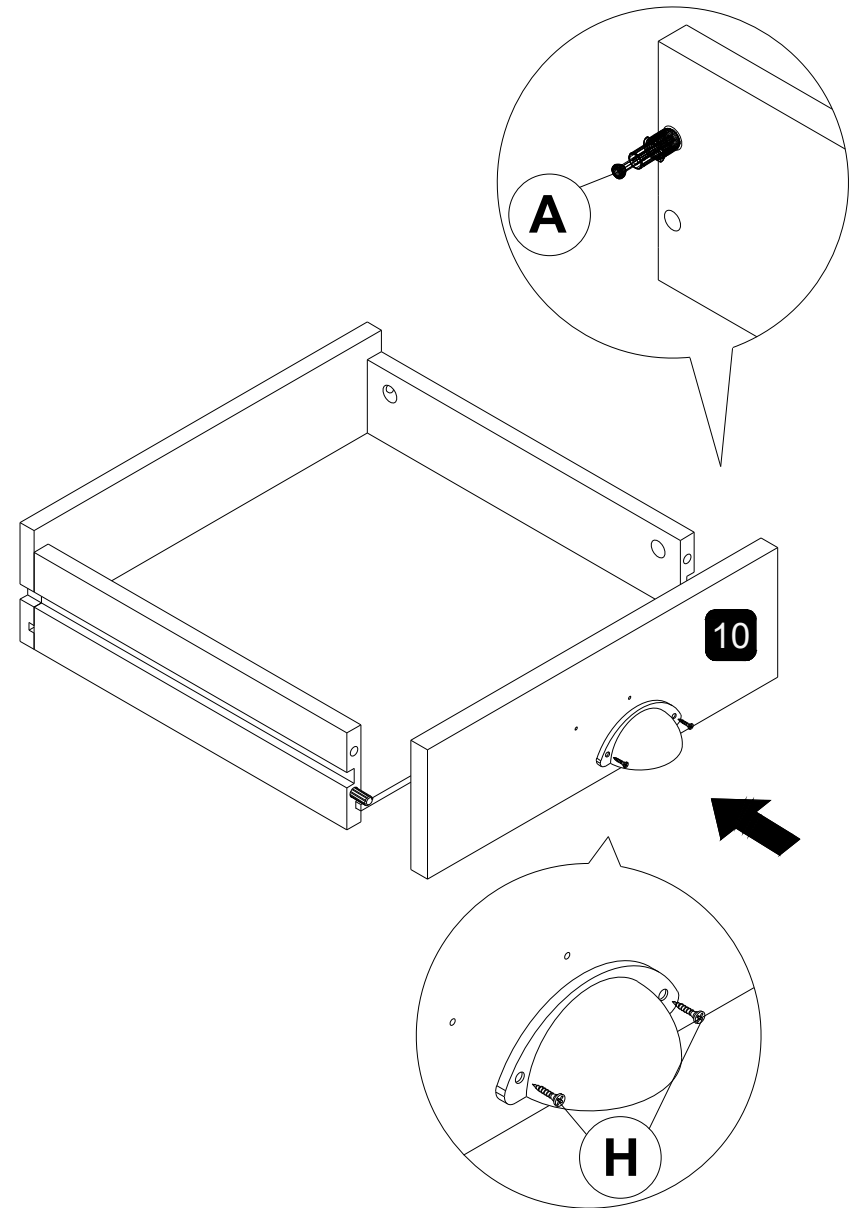
 D X 8pcs



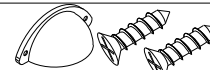
# STEP 8



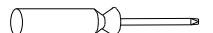
# STEP 9



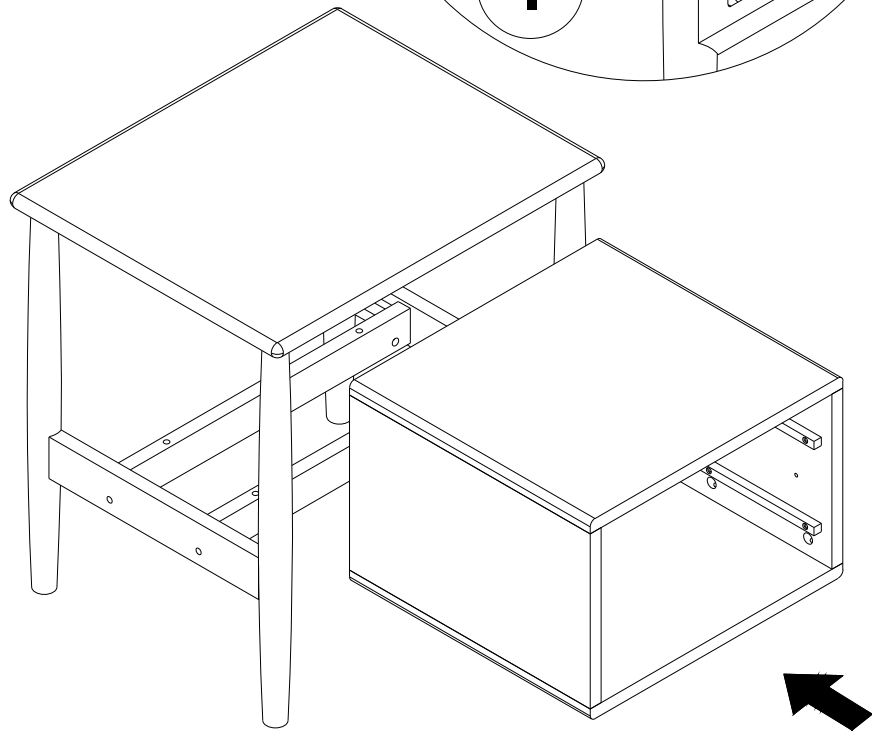
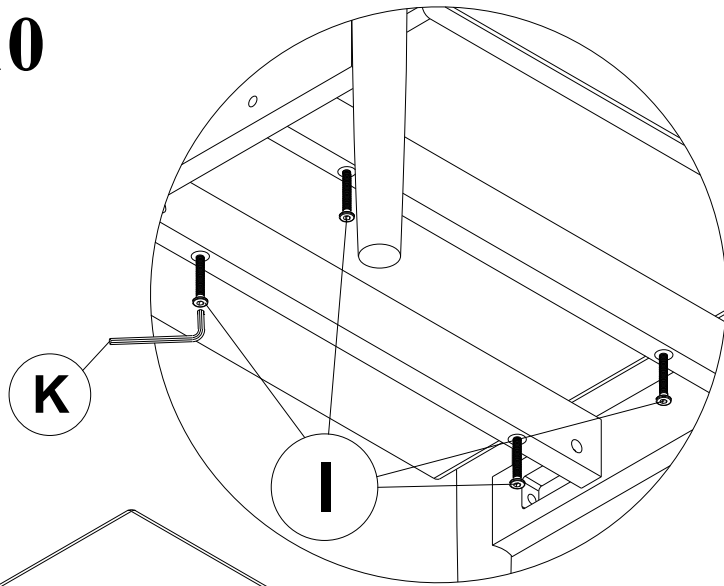
A X 4pcs



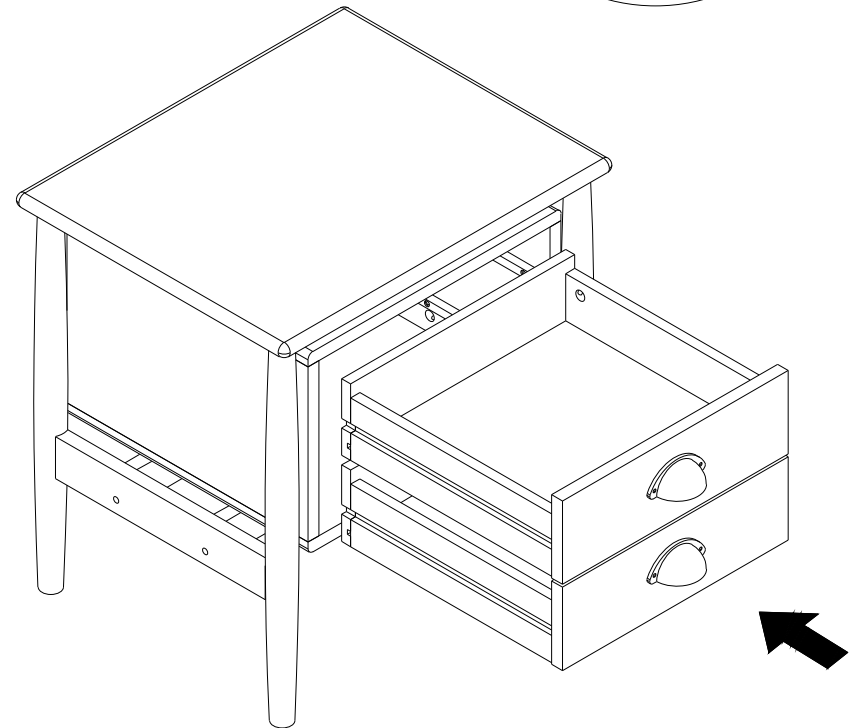
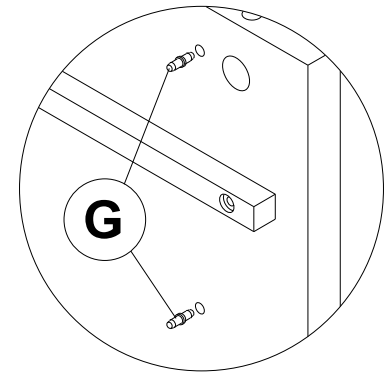
H X 2sets





# STEP 10




# STEP 11



  
I X 4pcs

  
K X 1pc

  
G X 4pcs

# ASSEMBLY COMPLETE

