

# ASSEMBLY INSTRUCTION

Thank you for purchasing this quality product. Be sure to check all packing material carefully for small parts which may have come loose inside the carton during shipment. Separate, identify and count all parts and hardware. Compare with the parts list to be sure all parts are present.

**IMPORTANT : PLEASE READ INSTRUCTION BEFORE STARTING THE ASSEMBLY.**

**"DO NOT TIGHTEN SCREWS UNTIL COMPLETELY ASSEMBLED"**

**"DO NOT OVERTIGHT ANY HARDWARE"**

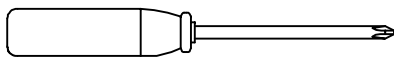
**WARNING : SMALL PARTS AND HARDWARE NOT FOR CHILDREN UNDER 3 YEARS. ADULT ASSEMBLY REQUIRED.**

## TABLE OF CONTENTS

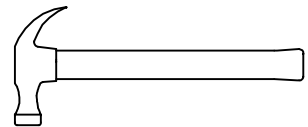
HARDWARES LIST	PAGE 2 - 3
PARTS LIST	PAGE 3 - 4
ASSEMBLY STEPS	PAGE 5 - 8
ASSEMBLY COMPLETED	PAGE 8

## ASSEMBLY TOOLS REQUIRED

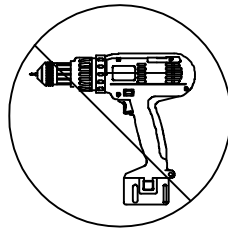
1. Screwdriver (not provide)



2. Hammer (not provide)

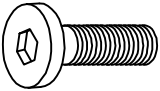
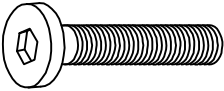

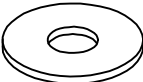
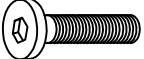
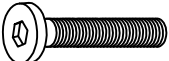
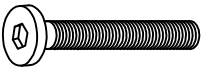
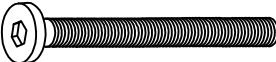



Skip the power trip this time.



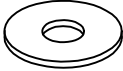


# ASSEMBLY INSTRUCTION

## HARDWARES LIST

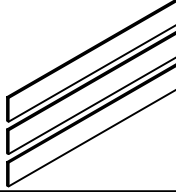
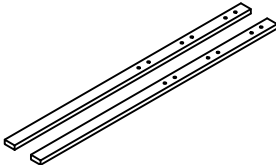
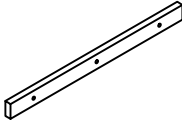
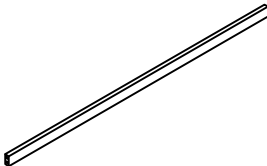
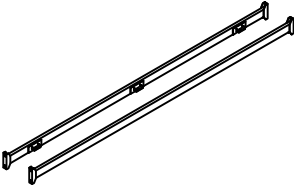
ITEM	DESCRIPTION	DRAWING	QTY
A	JCBC SCREW M8 x 16mm		8 PCS
B	JCBC SCREW M8 x 35mm		12 PCS
C	SPRING WASHER M8 x 16MM		12 PCS
D	FLAT WASHER M8 x 22MM		12 PCS
E	JCBC SCREW M6 x 16mm		4 PCS
F	JCBC SCREW M6 x 25mm		6 PCS
G	JCBC SCREW M6 x 30mm		3 PCS
H	JCBC SCREW M6 x 70mm		4 PCS
I	SPRING WASHER M6 x 13MM		3 PCS

# ASSEMBLY INSTRUCTION

## HARDWARES LIST

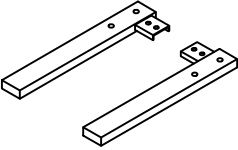
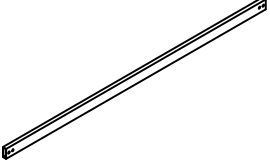
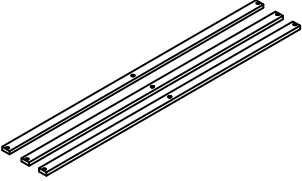
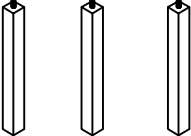
ITEM	DESCRIPTION	DRAWING	QTY
J	FLAT WASHER M6 x 19MM		3 PCS
K	M4 ALLEN KEY (65MM)		1 PCS
L	M5 ALLEN KEY (65MM)		1 PCS

## PARTS LIST

ITEM	DESCRIPTION	DRAWING	QTY
1	HEADBOARD PANEL		3 PCS
2	HEADBOARD LEG		2 PCS
3	HEADBOARD CENTER SUPPORT		1 PC
4	HEADBOARD SUPPORT		1 PC
5	SIDE RAIL		2 PCS

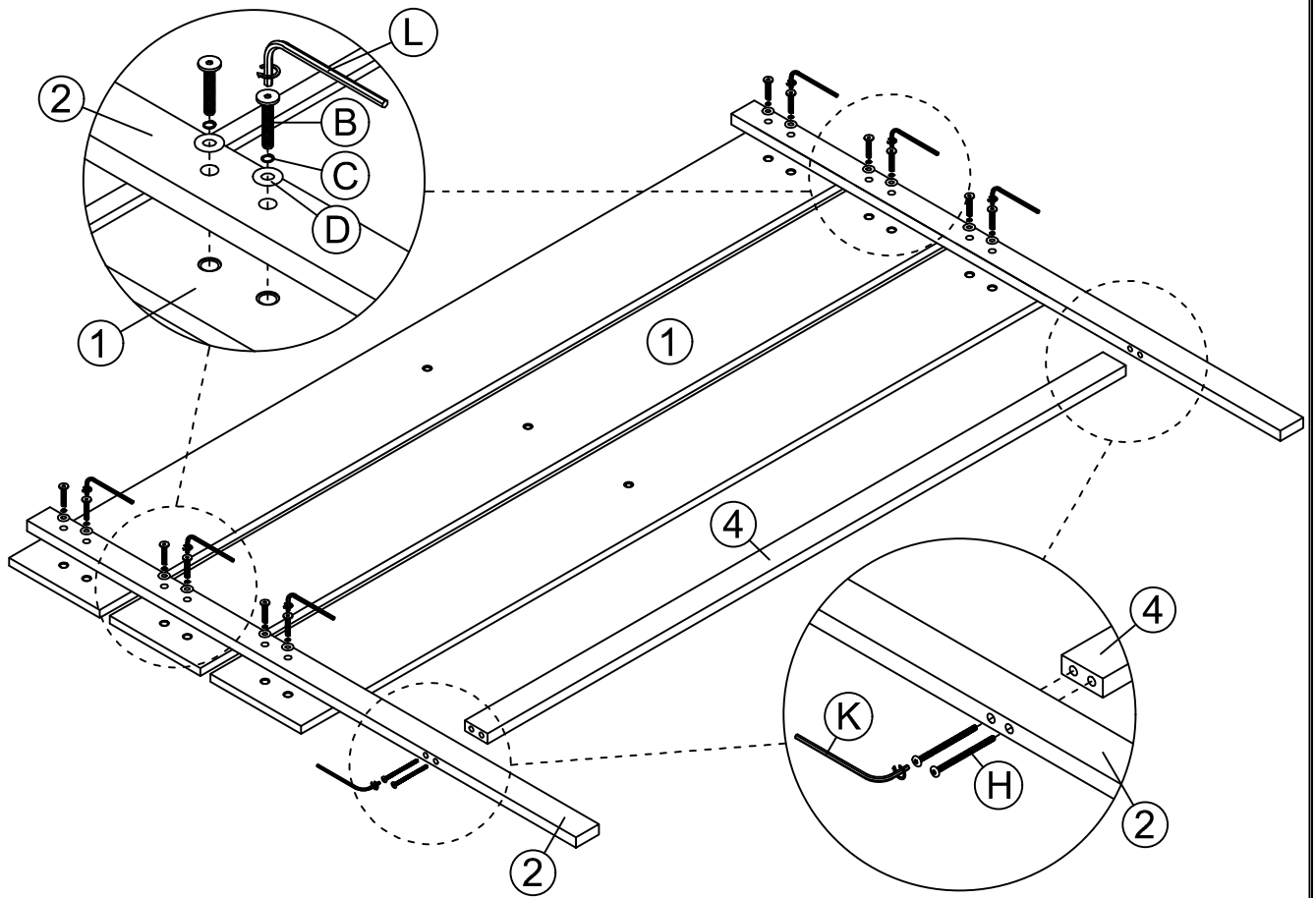
# ASSEMBLY INSTRUCTION

## PARTS LIST

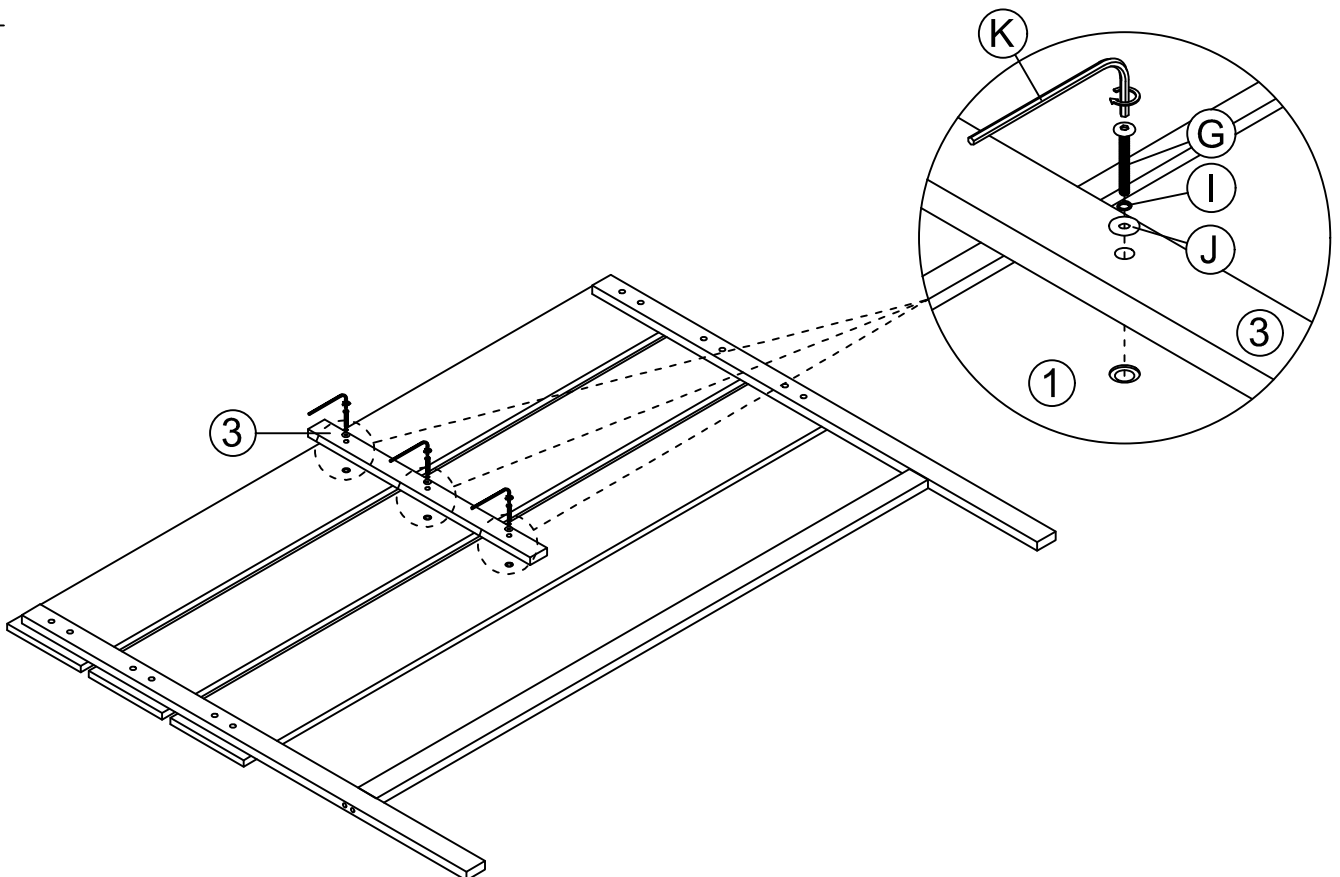
ITEM	DESCRIPTION	DRAWING	QTY
6	FOOTBOARD LEG L/R		2 PCS
7	FOOTBOARD SUPPORT		1 PC
8	SLAT		3 PCS
9	SUPPORT LEG		3 PCS

# ASSEMBLY INSTRUCTION

## STEP 1

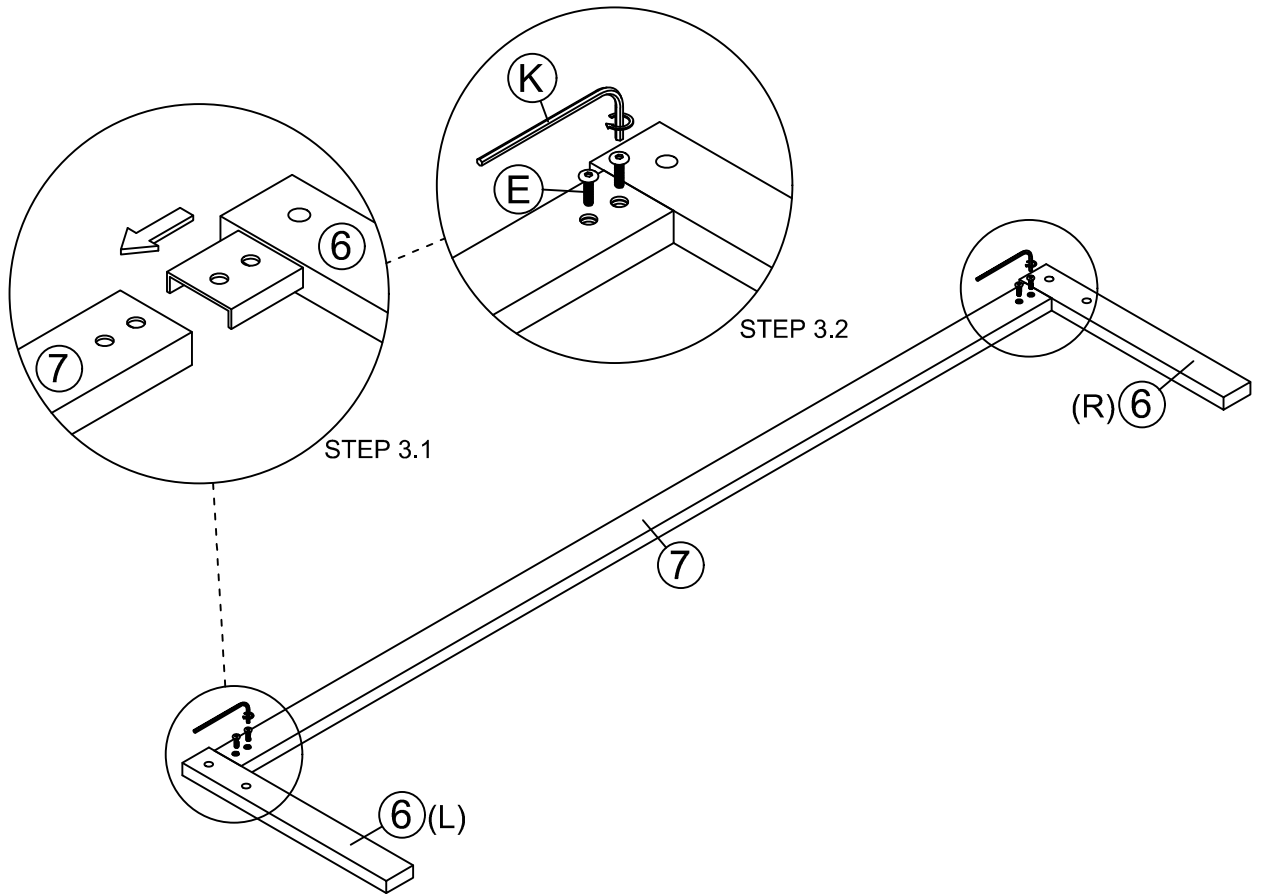


## STEP 2

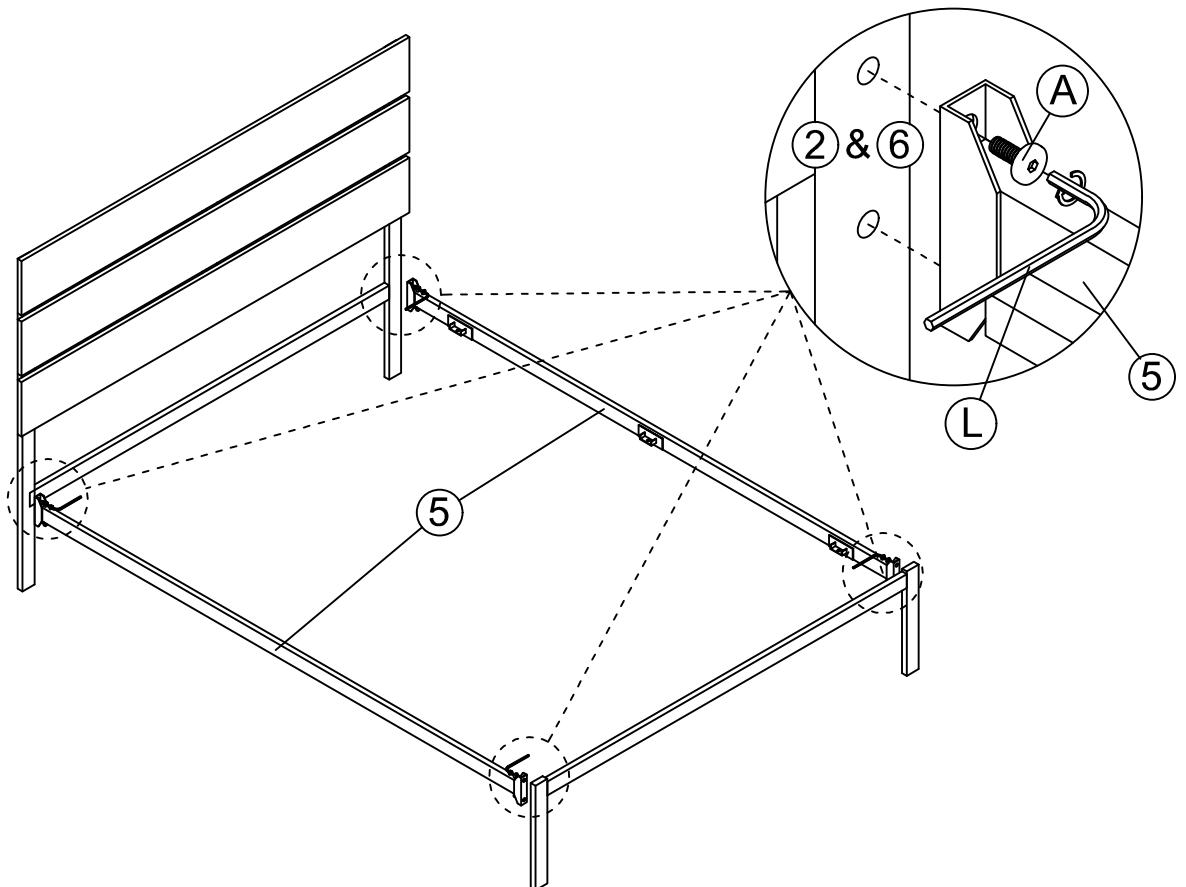


# ASSEMBLY INSTRUCTION

## STEP 3

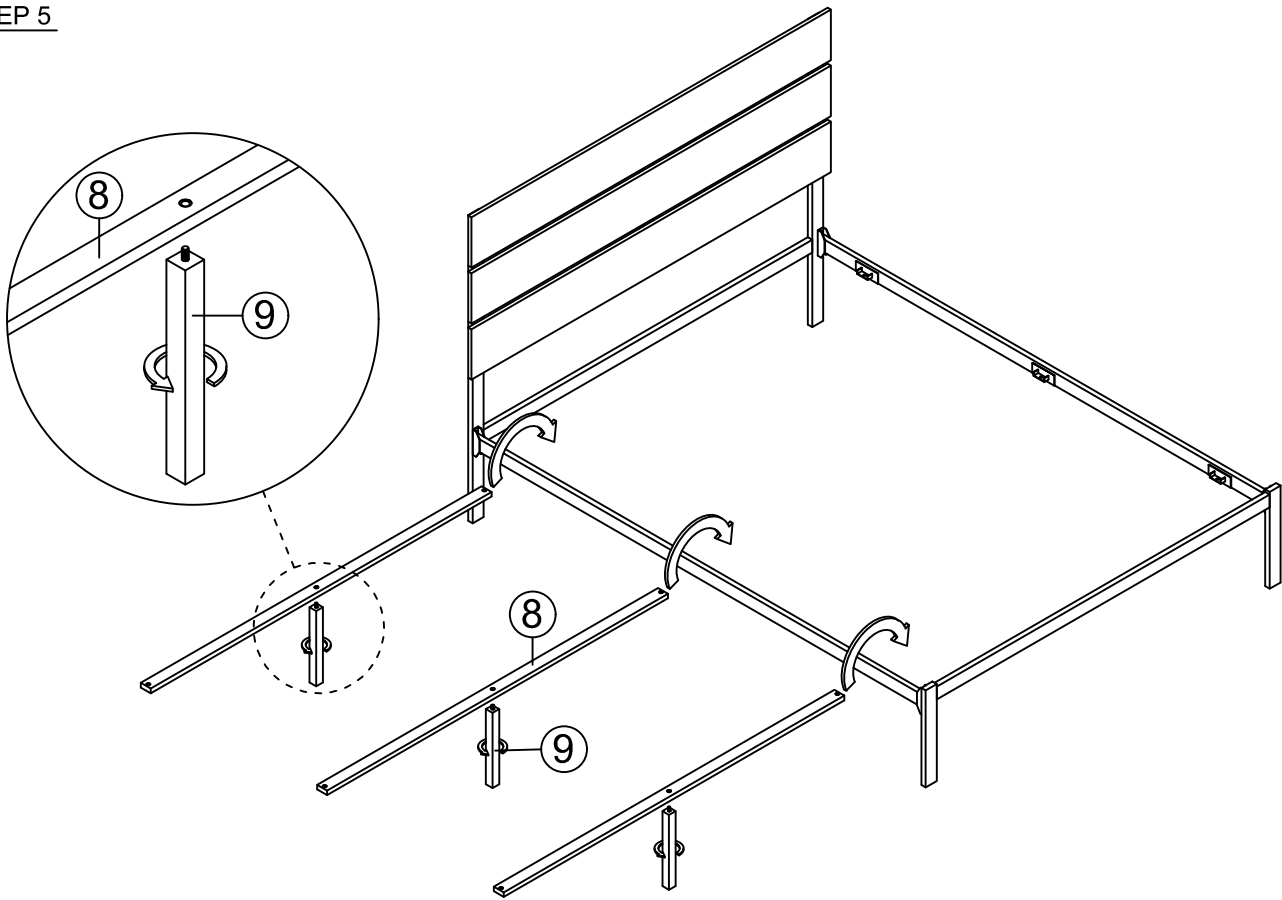


## STEP 4

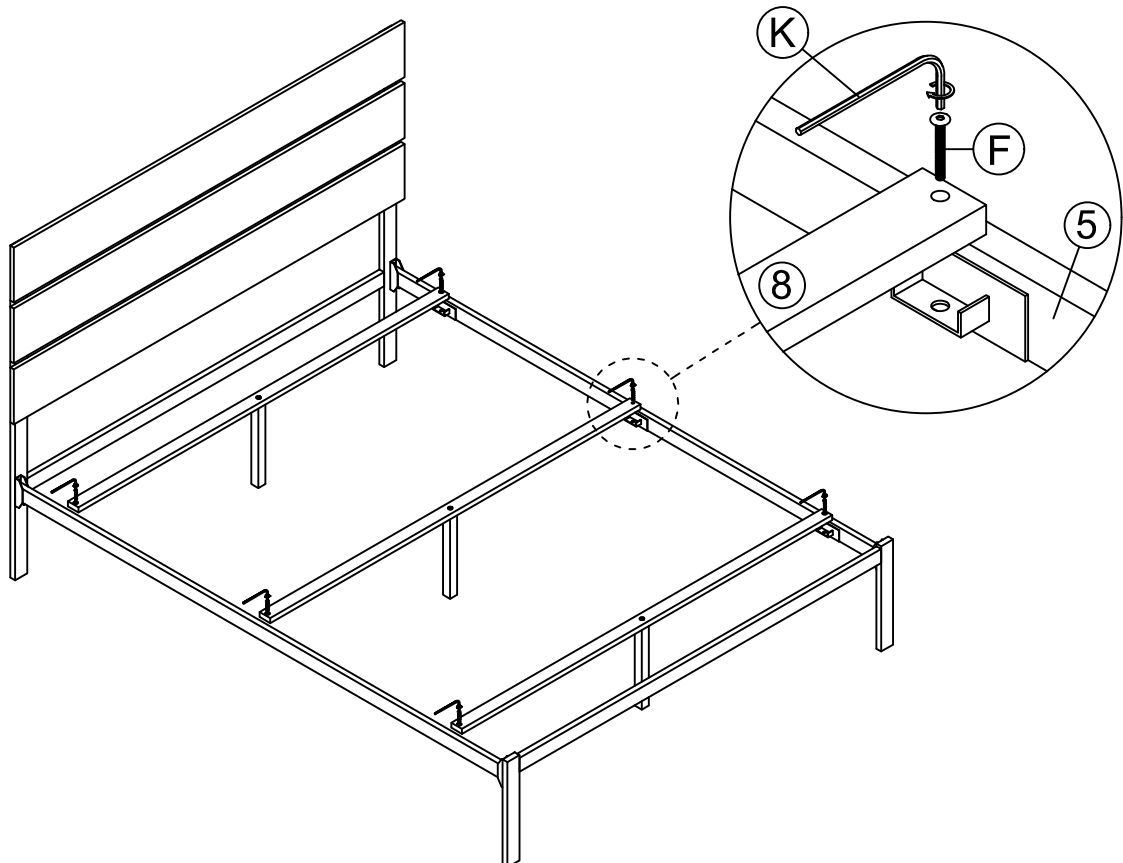


# ASSEMBLY INSTRUCTION

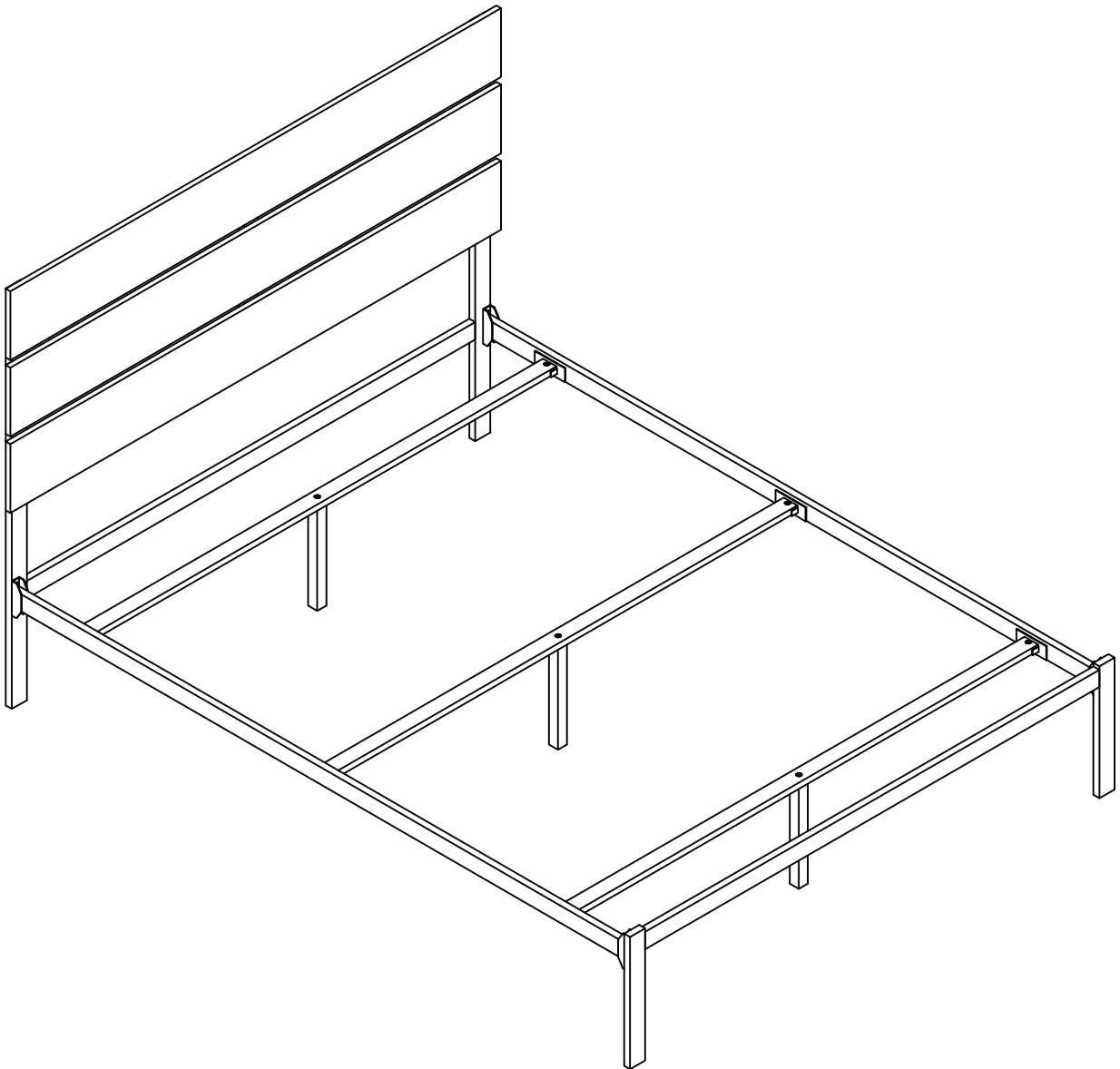
## STEP 5



## STEP 6



# ASSEMBLY INSTRUCTION



**ASSEMBLY COMPLETED**