

ASSEMBLY INSTRUCTIONS



Fine Furniture for every stage of life

Dining Table

REVISION 0: 10/06/2017
REVISION 1: 03/03/2020

ASSEMBLY INSTRUCTIONS

ASSEMBLY TIPS:

1. Remove hardware from box and sort by size.
2. Please check to see that all hardware and parts are present prior to start of assembly.
3. Please follow attached instructions in the same sequence as numbered to assure fast & easy assembly.

WARNING!



1. Don't attempt to repair or modify parts that are broken or defective. Please contact the store immediately.
2. This product is for home use only and not intended for commercial establishments.



ASSEMBLY TIME

15 MINUTES

PART IDENTIFICATION

B1 (BOX 1)

AV TOP



1PC

BV CROSSBAR



1PC

B2 (BOX 2)

CV LEG



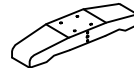
2PCS

DV MOUNTING PLATE



2PCS

EV BASE



2PCS

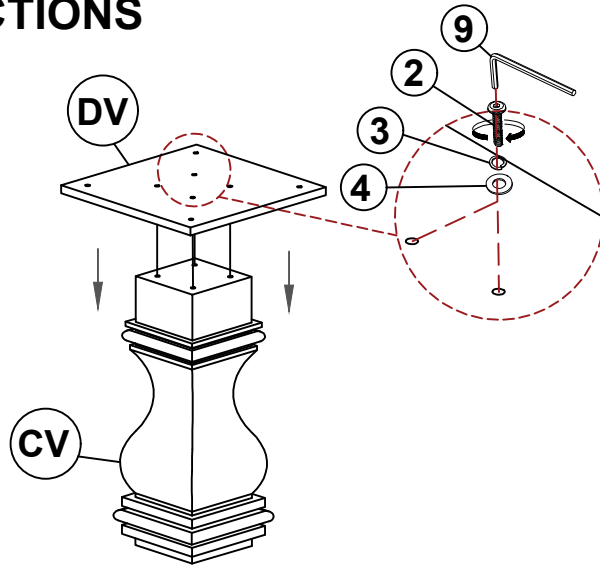
HARDWARE IDENTIFICATION

BOX 1 - HARDWARE PACK

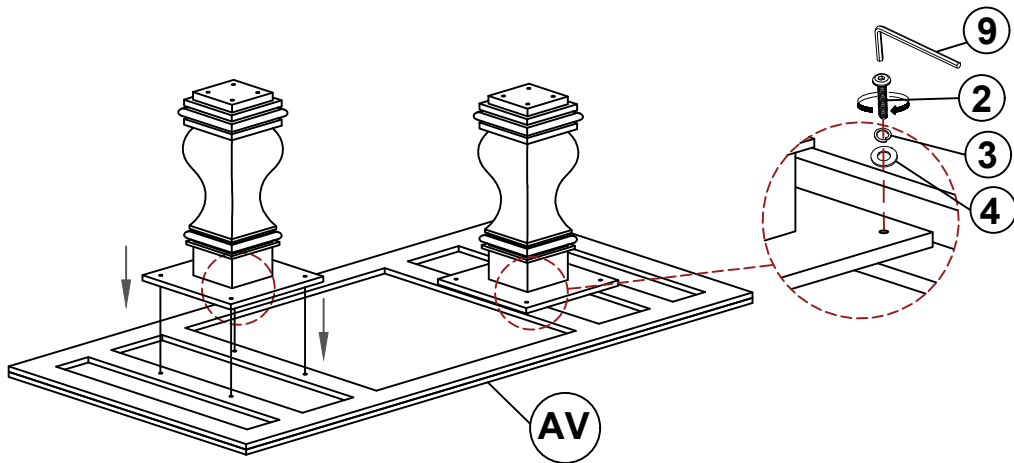
1	LONG BOLT (Ø5/16" x 3" - RBW)		8PCS	6	HALF ROUND NUT (Ø5/16" - RBW)		2PCS
2	SHORT BOLT (Ø5/16" x 1-1/2" - RBW)		16PCS	7	THREADED BOLT (Ø5/16" x 3" - RBW)		2PCS
3	LOCK WASHER (Ø5/16" - RBW)		24PCS	8	WRENCH (13MM - RBW)		1PC
4	FLAT WASHER (Ø5/16" - RBW)		24PCS	9	ALLEN WRENCH (4MM - RBW)		1PC
5	HEX NUT (Ø5/16" - RBW)		2PCS				

ASSEMBLY INSTRUCTIONS

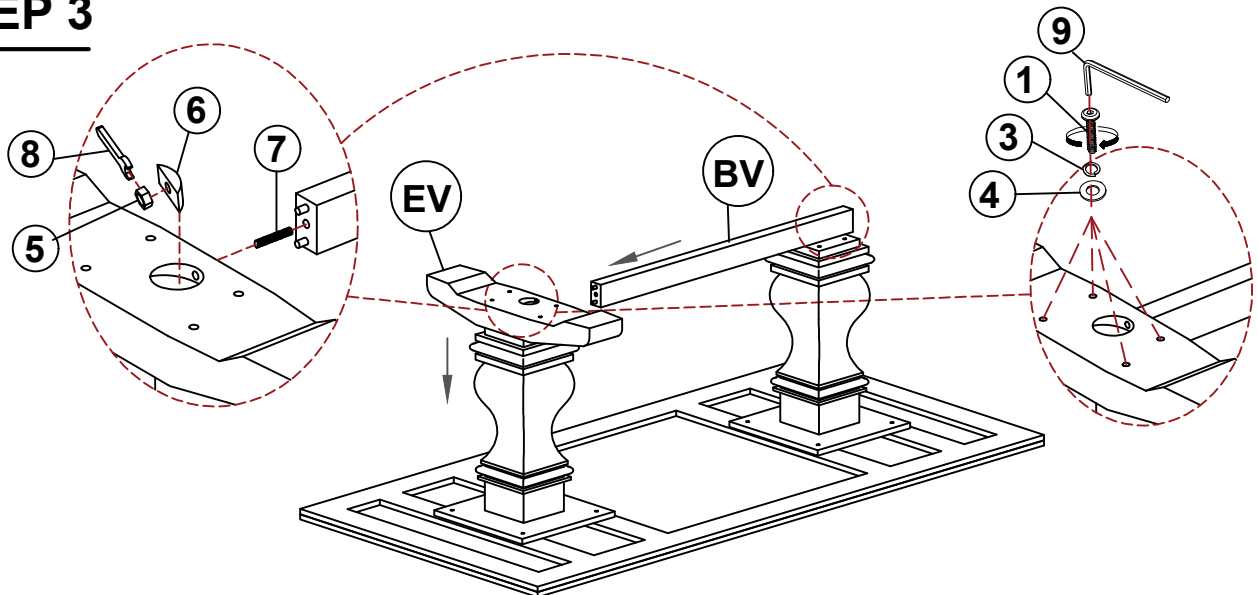
STEP 1



STEP 2

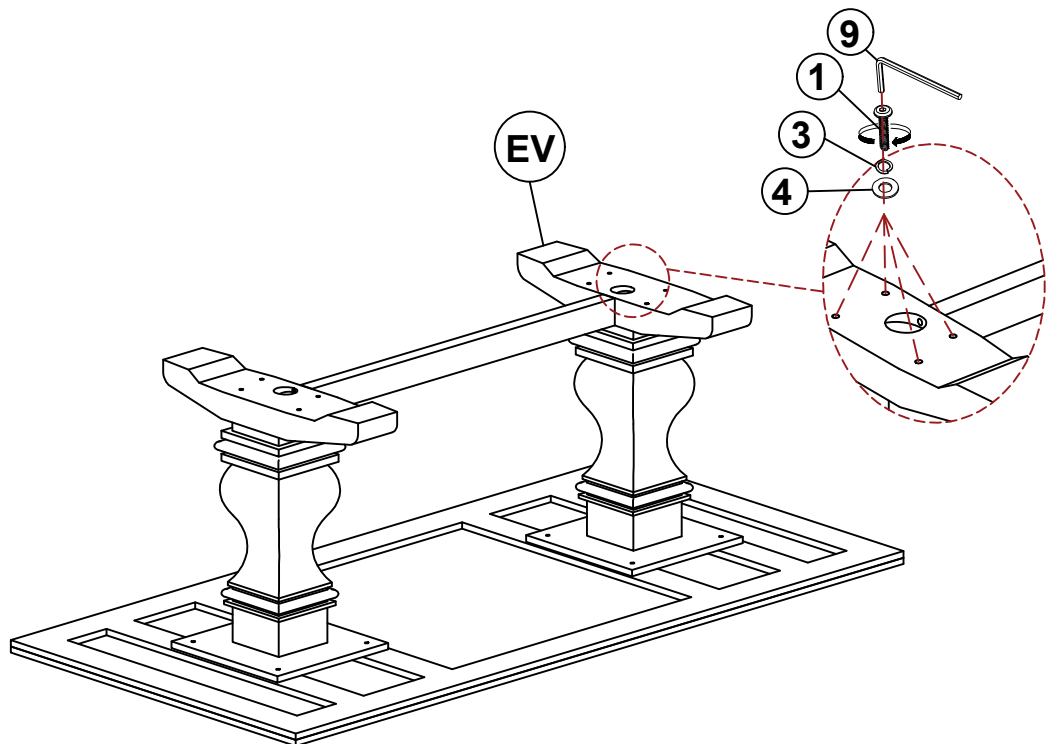


STEP 3

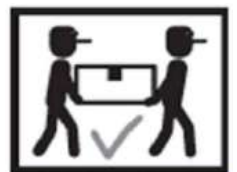
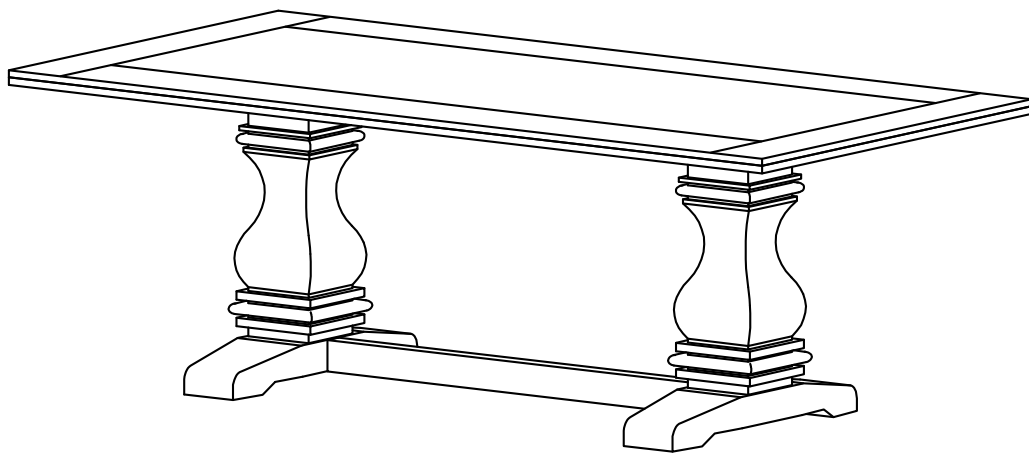


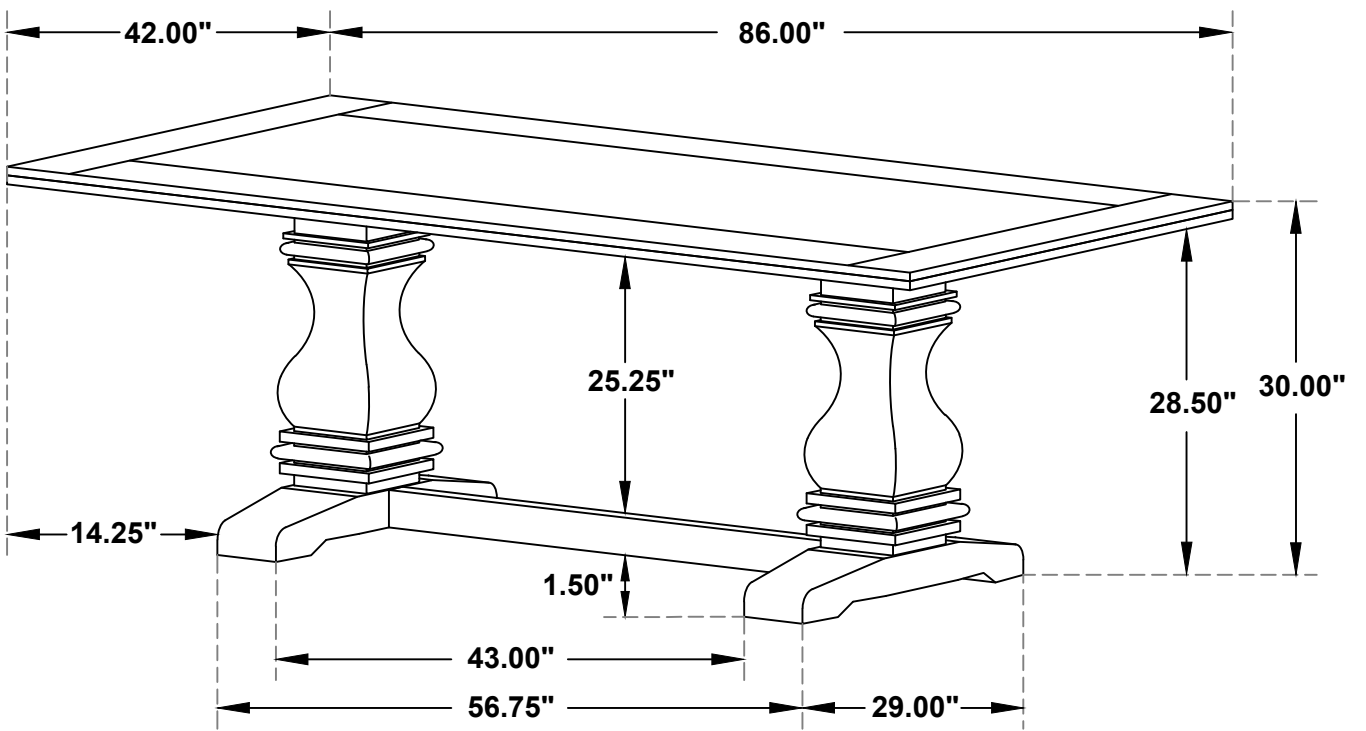
ASSEMBLY INSTRUCTIONS

STEP 4



STEP 5 COMPLETE





Note: Dimension tolerance $\pm 5\%$