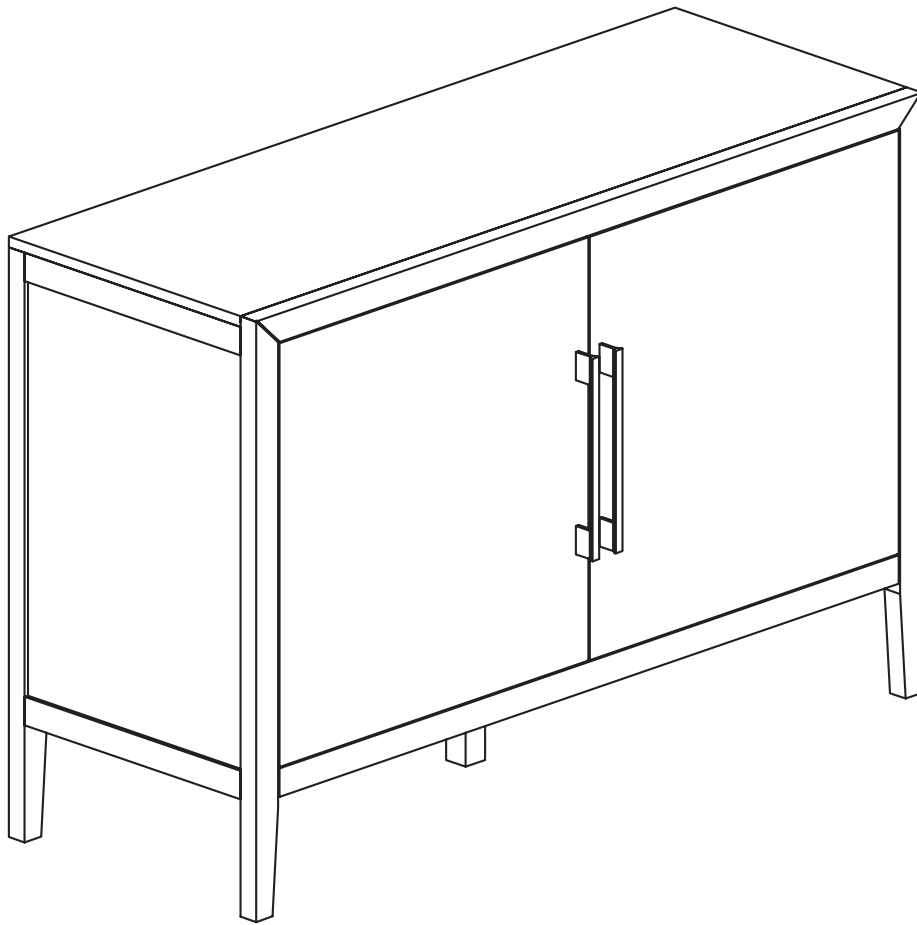


# ASSEMBLY INSTRUCTION

## CABINET



### WARNING



This product is NOT a Clothing Storage Unit (CSU).  
DO NOT use it for clothing storage.  
Improper use may cause furniture tipover.

# ASSEMBLY INSTRUCTION

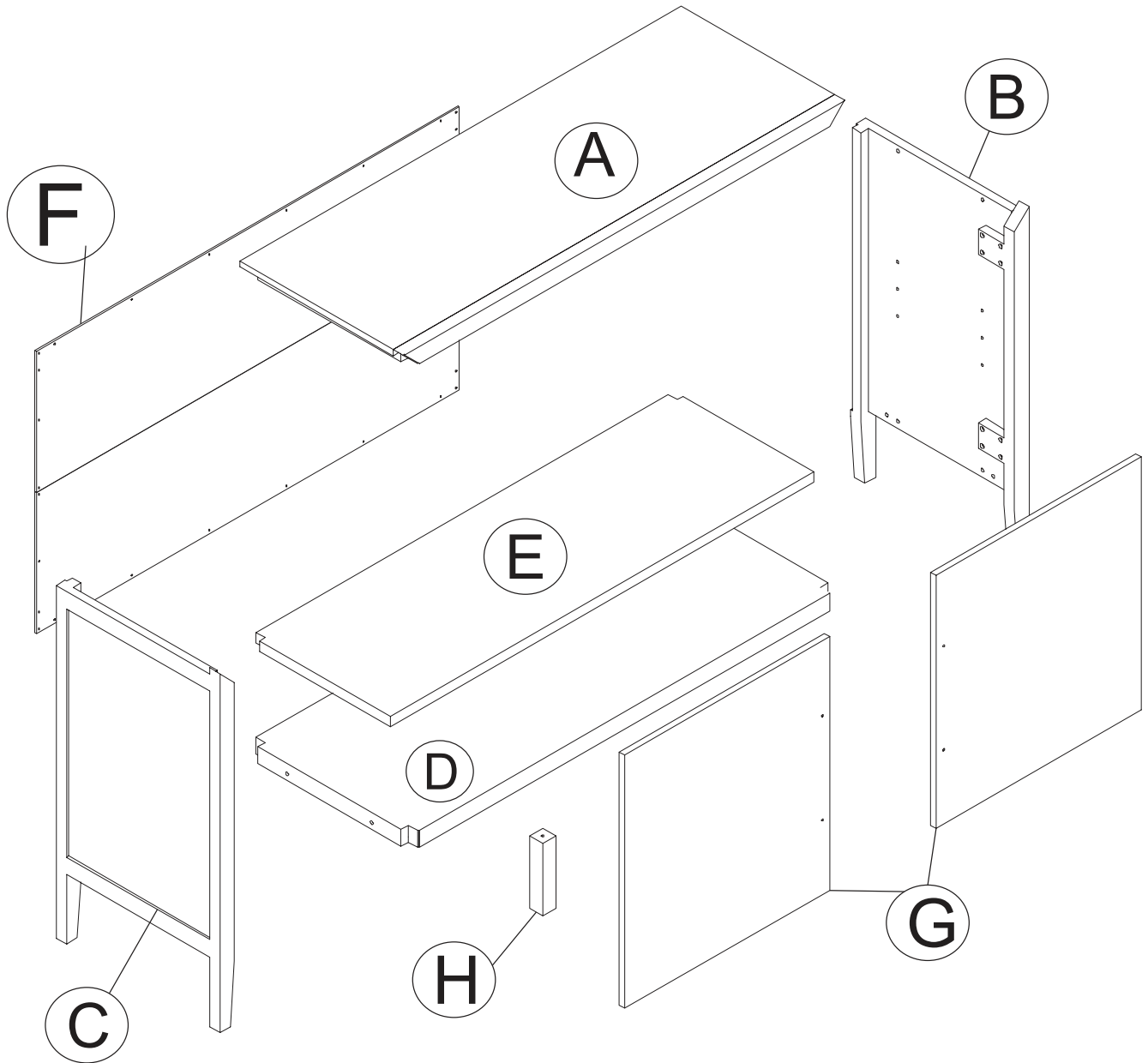
Please read these instructions fully before starting assembly:

1. Place all wooden parts on a clean and smooth surface such as a rug or carpet to avoid scratching the parts.
2. Kindly follow the assembly instructions step by step.
3. Do not tighten all screws and bolts until the table is fully assembled.
4. Unscrew the protective plastique supports from the metal insert of the table legs before assembly.
5. Parts of the assembly will be easier with 2 people.

Care and maintenance:

Only clean using a damp cloth and mild detergent, do not use bleach or abrasive cleaners.

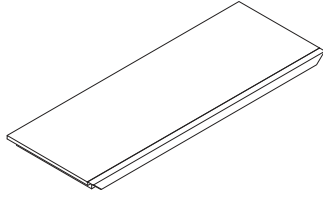
# ASSEMBLY INSTRUCTION



# ASSEMBLY INSTRUCTION

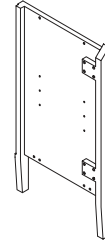
## Part List

**A**



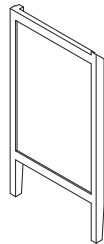
TOP (1 pc)

**B**



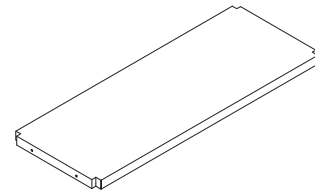
RIGHT SIDE PANEL (1 pc)

**C**



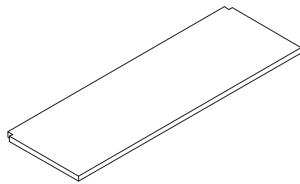
LEFT SIDE PANEL (1 pc)

**D**



BOTTOM (1 pc)

**E**



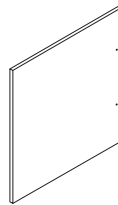
SHELF (1 pc)

**F**



BACK PANEL (1 pc)

**G**



DOORS (2 pcs)

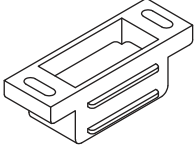
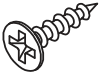
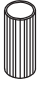
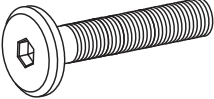

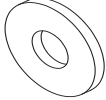

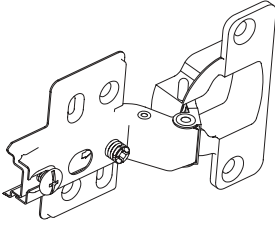


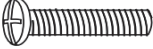

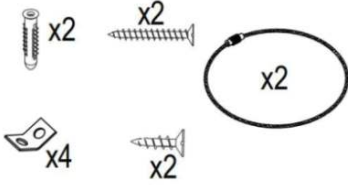
**H**



SUPPORT BOTTOM (1 pc)

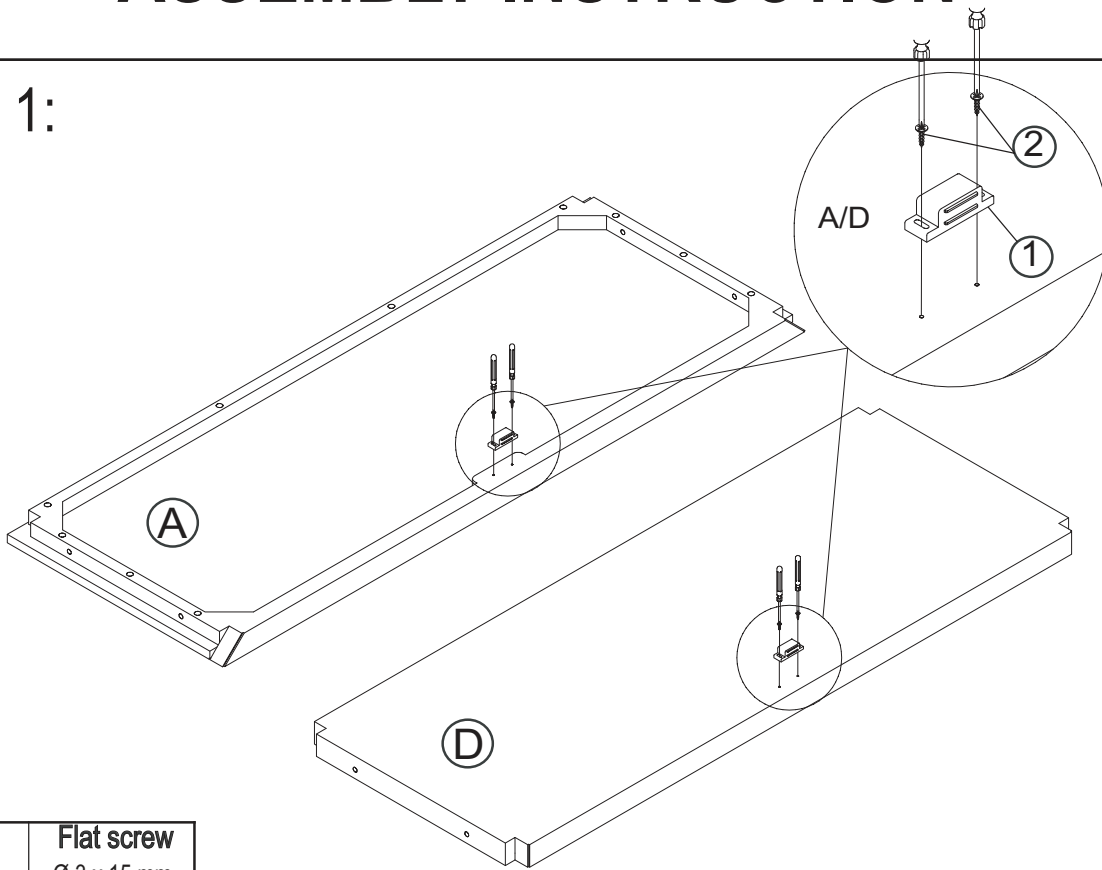
# ASSEMBLY INSTRUCTION

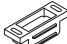

## Hardware List

<p>①</p>  <p>Magnetic Door Catch (2 pcs)</p>	<p>②</p>  <p>Flat screw (28pcs) M3 x 15 mm</p>	<p>③</p>  <p>Wooden Dowel ( 4 pcs) Ø 8 x 30 mm</p>
<p>④</p>  <p>Bolt (8 pcs) 1/4" x 38mm</p>	<p>⑤</p>  <p>Spring Washer (8 pcs) Ø6 x 12mm</p>	<p>⑥</p>  <p>Flat Washer (8 pcs) Ø6 x 16mm</p>
<p>⑦</p>  <p>Allen Key (1 pc) K4 x 80mm</p>	<p>⑧</p>  <p>Full overlay Hinge (4 pcs)</p>	<p>⑨</p>  <p>Patch Support Shelf (4 pcs) Ø 6 x 9 mm</p>
<p>⑩</p>  <p>Mushroom Screw (16pcs) M3 x 15</p>	<p>⑪</p>  <p>Bolt of Handle (4 pcs) M4 x 22</p>	<p>⑫</p>  <p>Handle (2 pcs) 12 x 25 x 285</p>
<p>⑬</p>  <p>Antitip Kit (2 Sets)</p>		

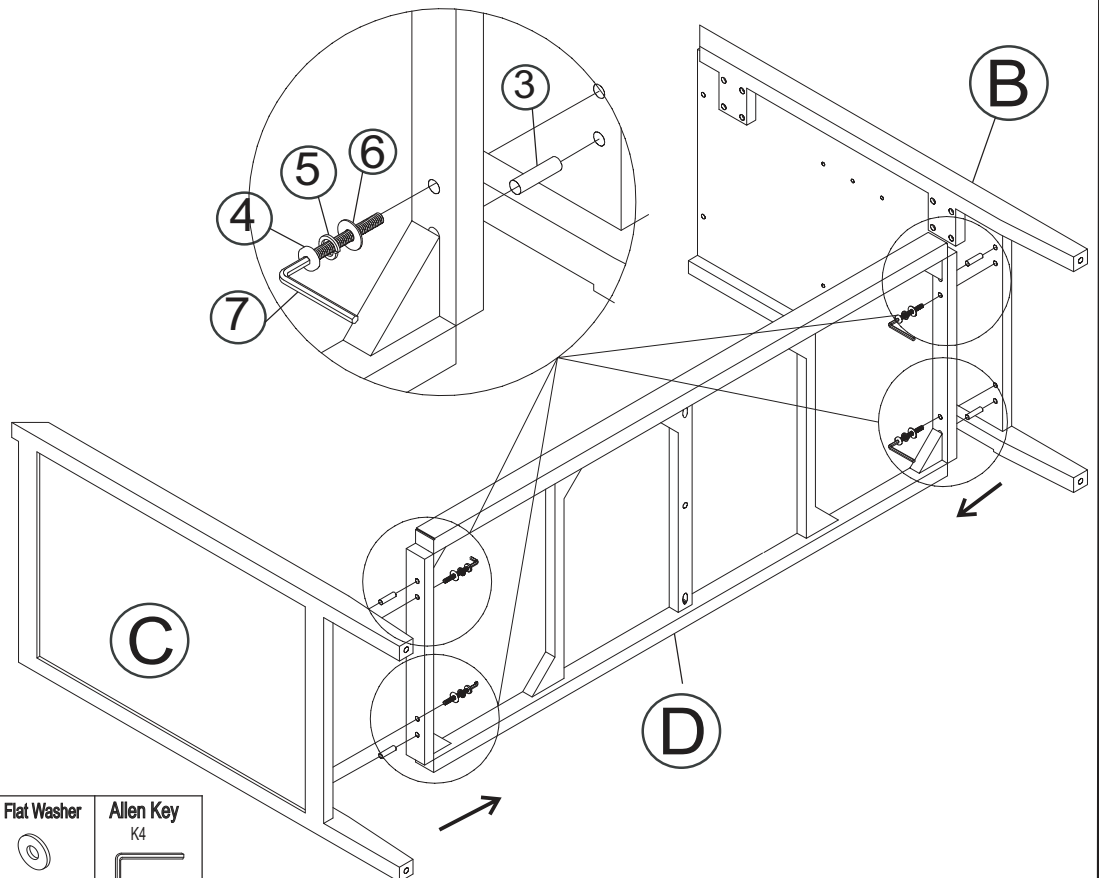
# ASSEMBLY INSTRUCTION






## STEP 1:



Magnetic Door Catch	Flat screw Ø 3 x 15 mm
	
① x 2	② x 4

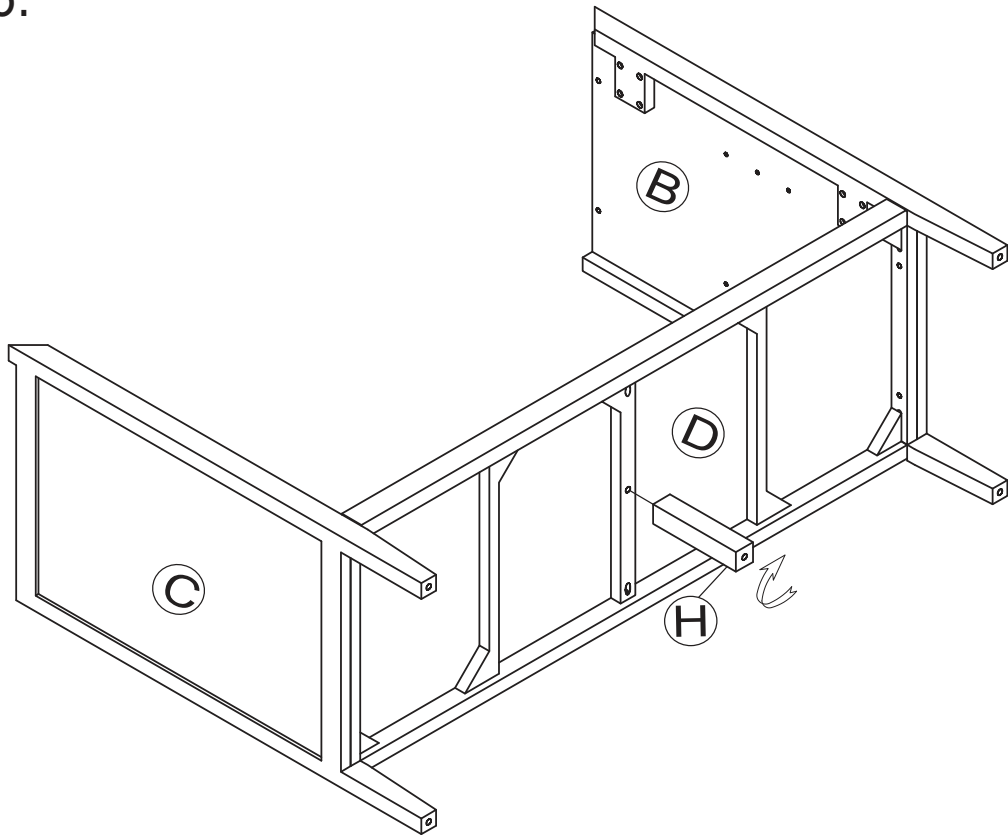
## STEP 2:



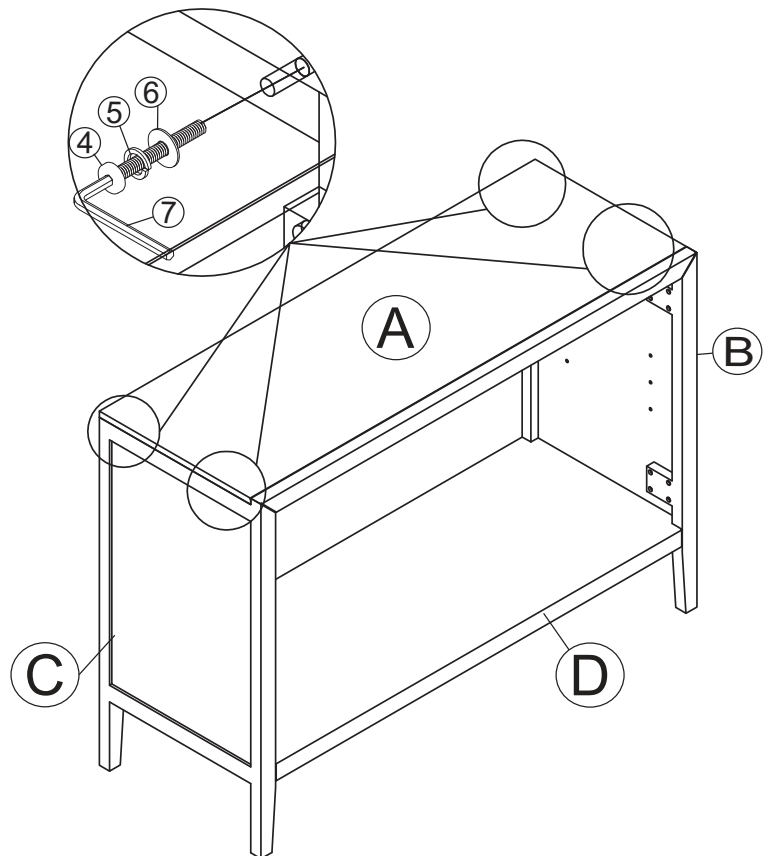
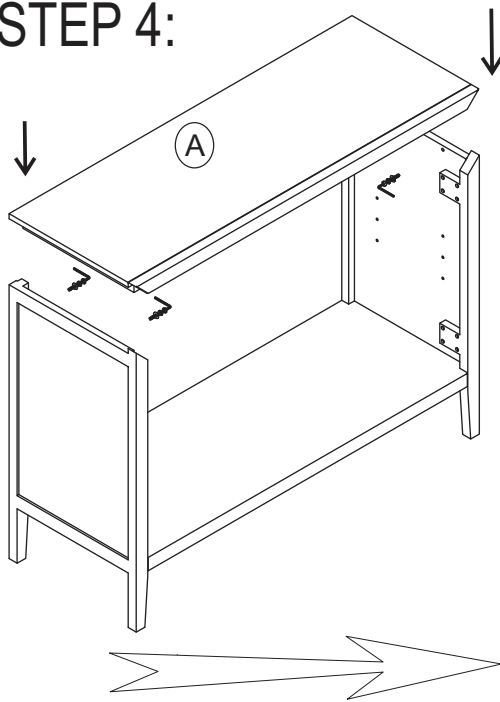
Wooden Dowel Ø 8 x 30 mm	Long Bolt Ø 1/4" x 38 mm	Spring Washer	Flat Washer	Allen Key K4
				
③ x 4	④ x 4	⑤ x 4	⑥ x 4	⑦ x 1





# ASSEMBLY INSTRUCTION

## STEP 3:



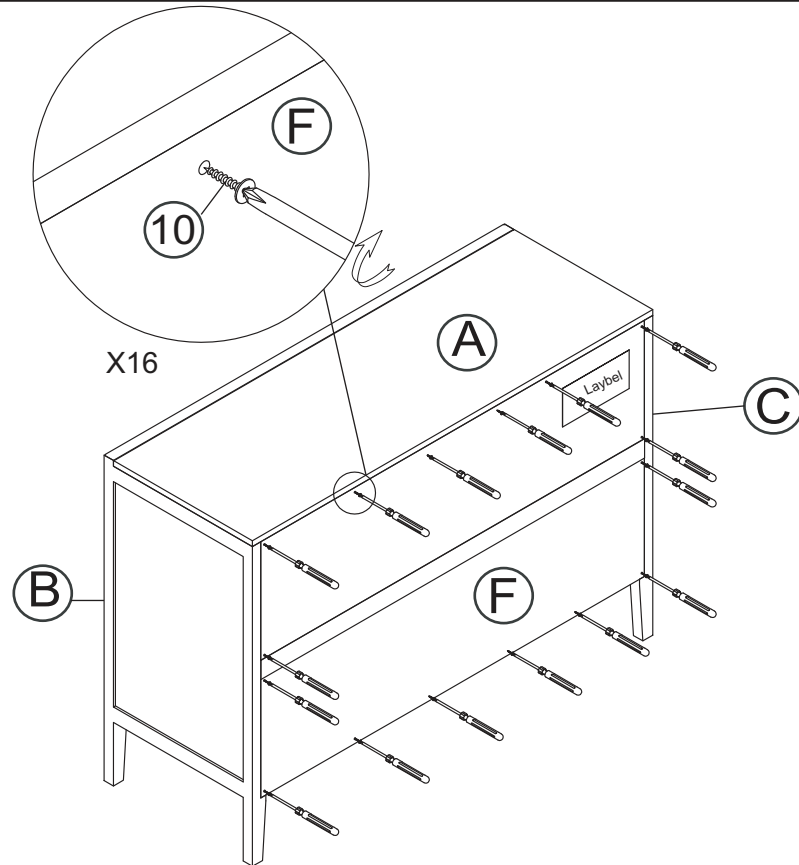
## STEP 4:



Bolt 1/4" x 38 mm	Spring Washer	Flat Washer	Allen Key K4
			
④ x 4	⑤ x 4	⑥ x 4	⑦ x 1

# ASSEMBLY INSTRUCTION

## STEP 5:



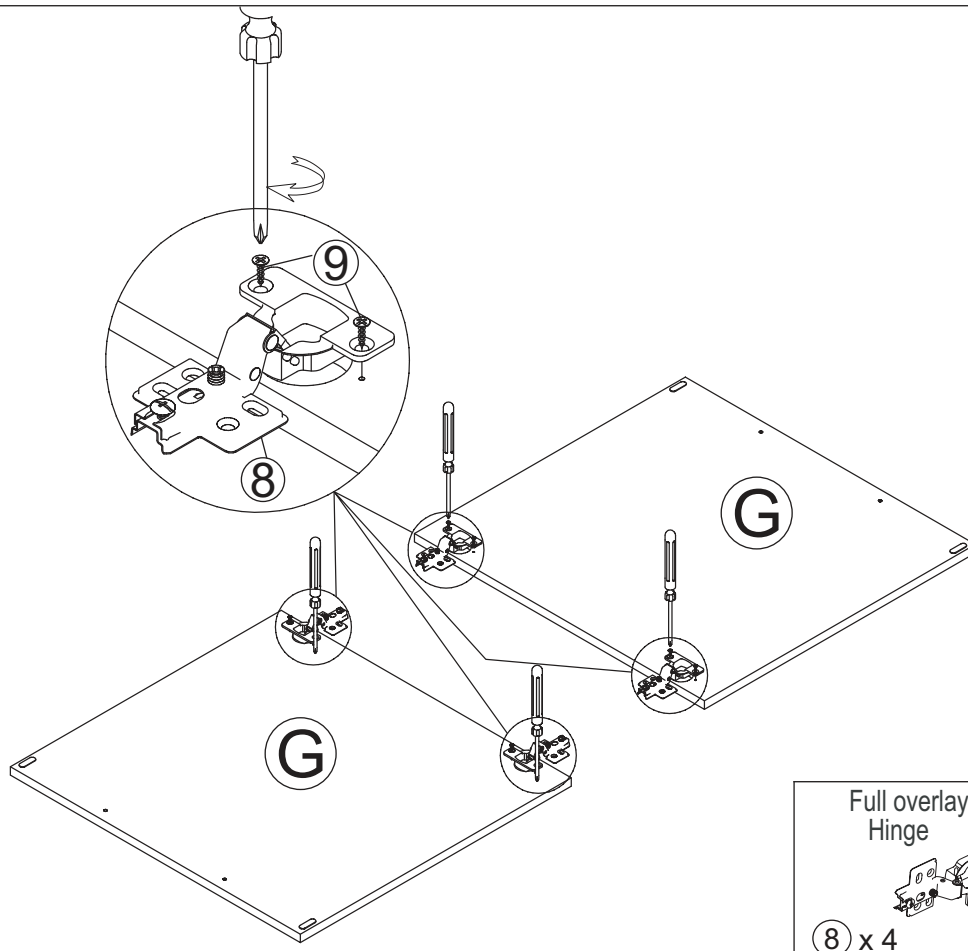
Mushroom screw

Ø 3 x 15 mm



10 x 16

## STEP 6:



Full overlay  
Hinge



8 x 4

Flat screw

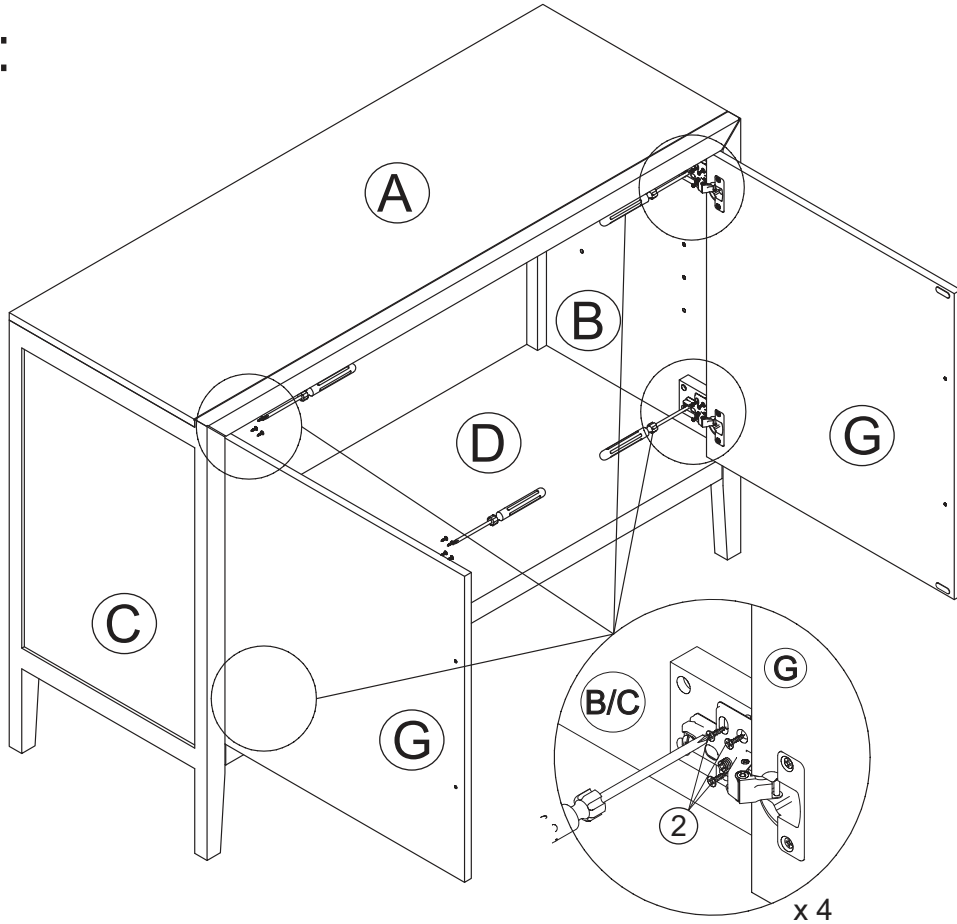
Ø 3 x 15 mm



2 x 8

# ASSEMBLY INSTRUCTION

## STEP 7:



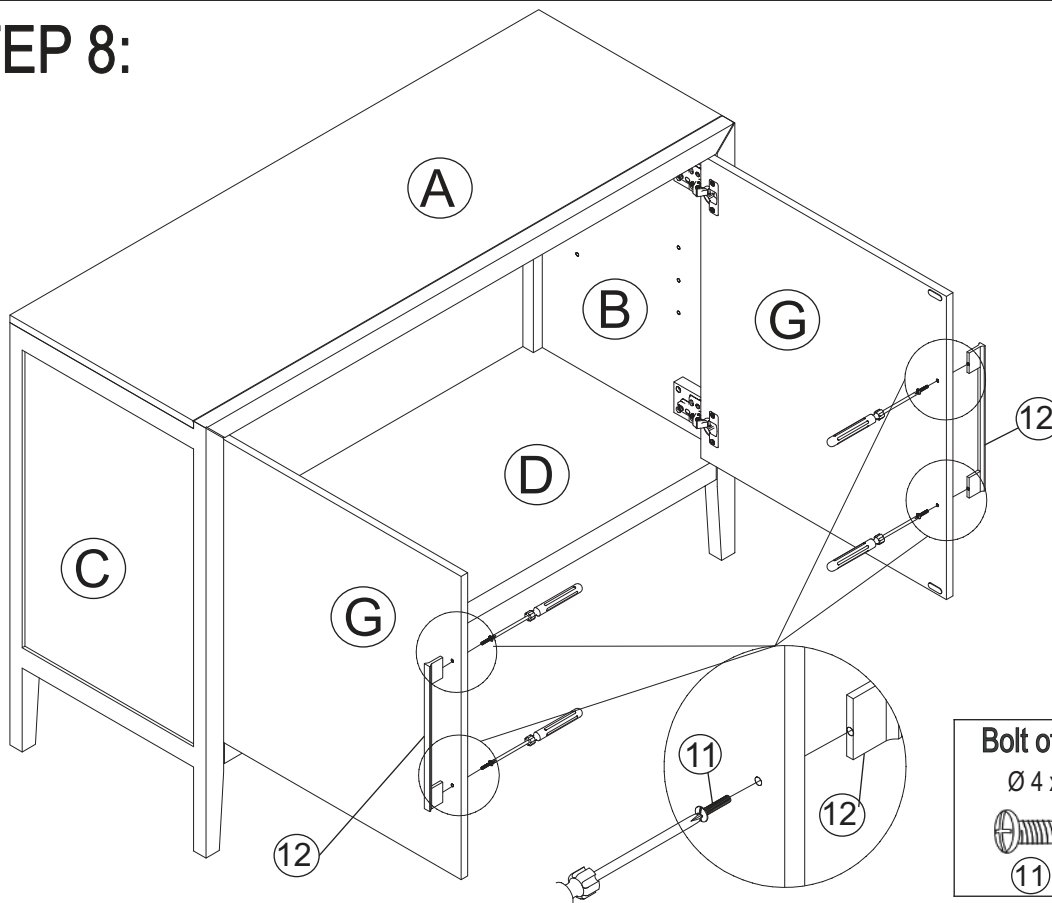
**Flat screw**

Ø 3 x 15 mm



② x 16

## STEP 8:



**Bolt of Handle**

Ø 4 x 22 mm



⑪ x 4

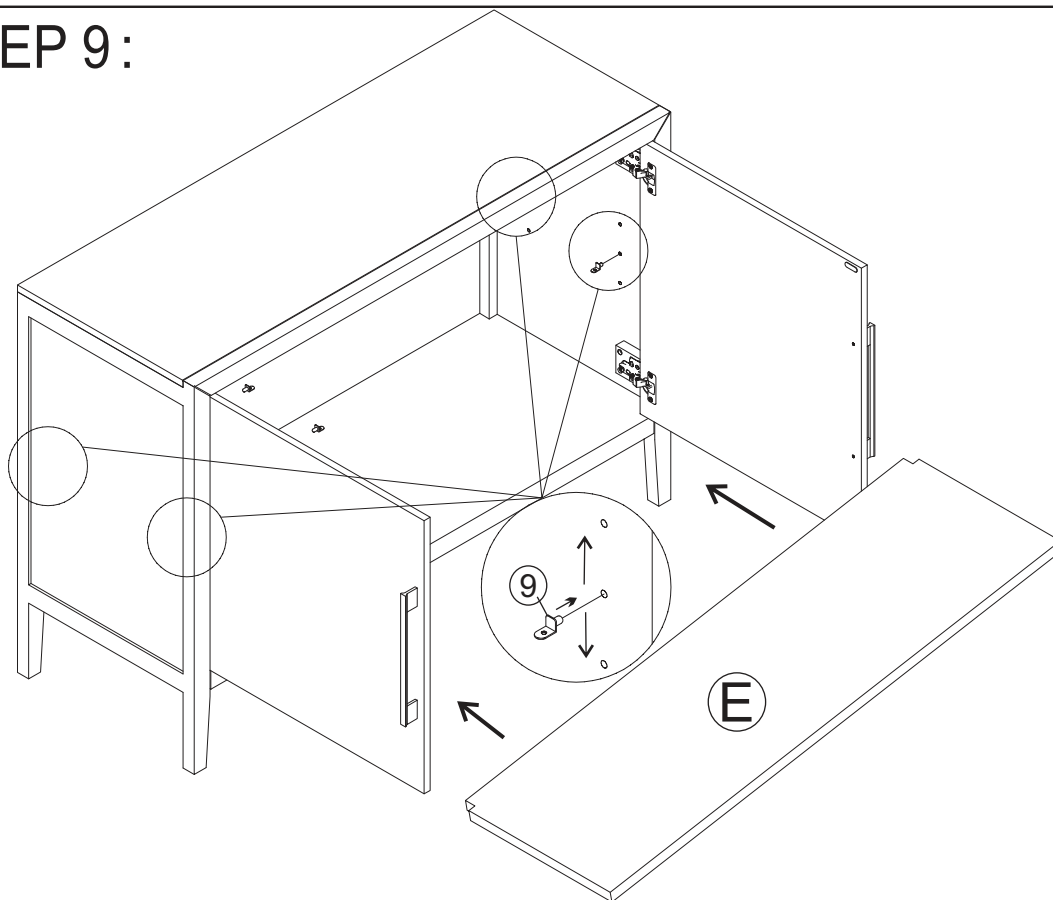
**Handle**



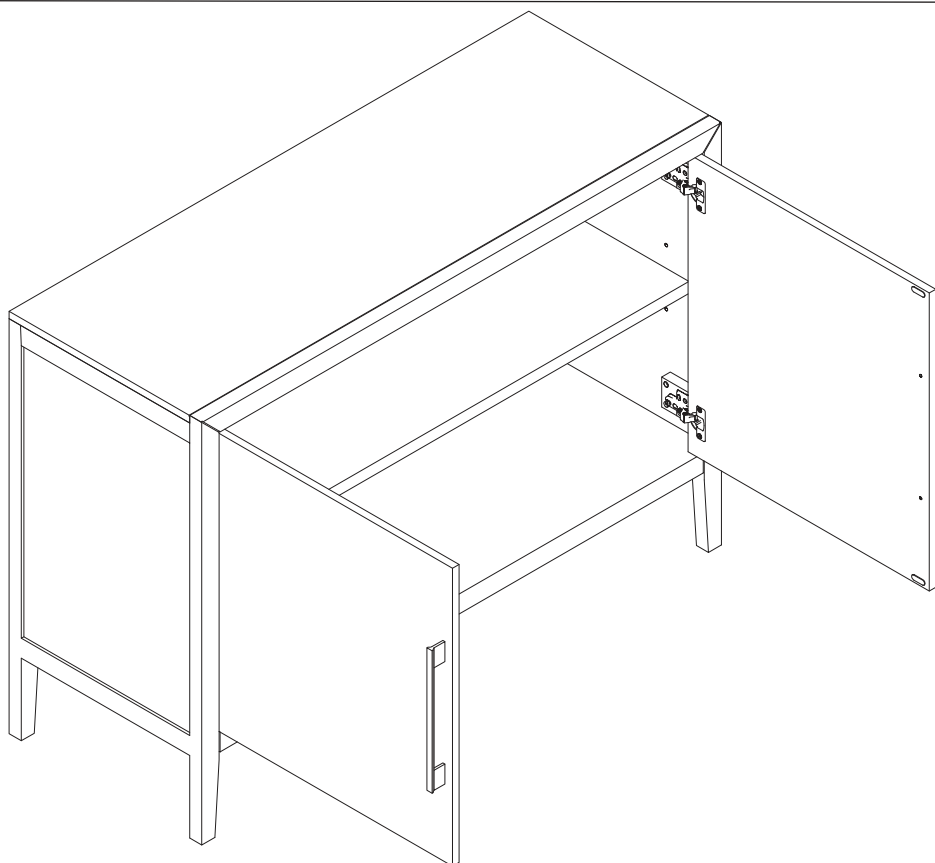
⑫ x 2

# ASSEMBLY INSTRUCTION

STEP 9:



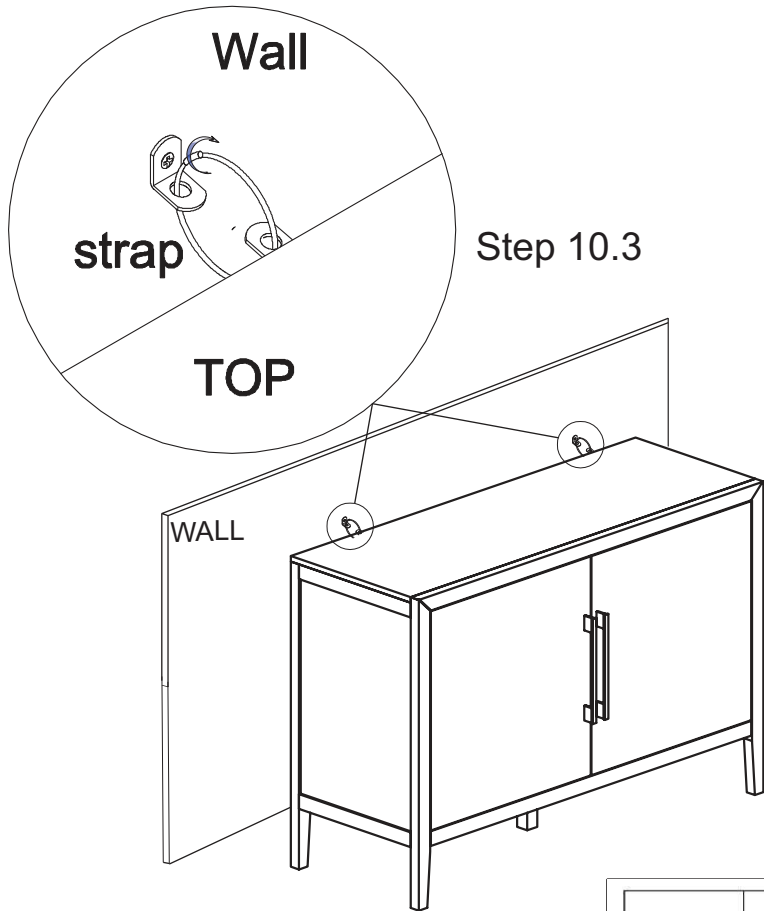
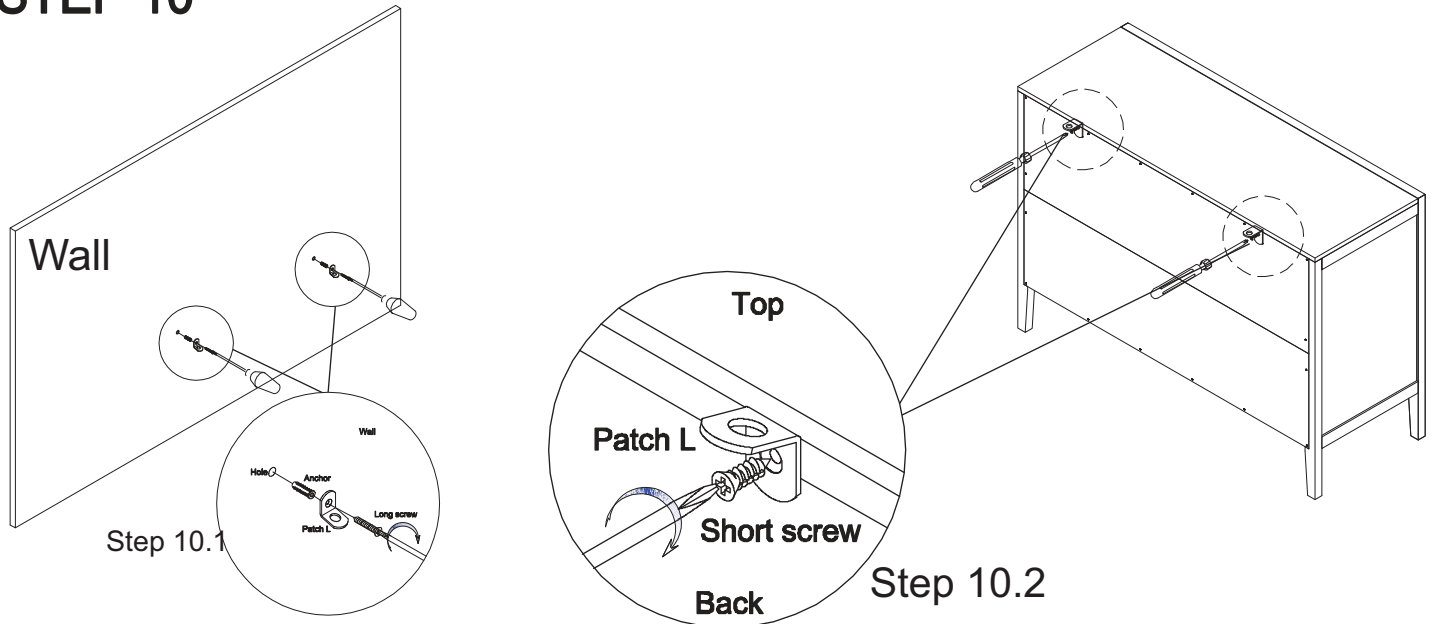
Patch support Shelf  
Ø 6 x 9 mm  
9 x 4





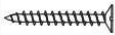


Finished!

# ASSEMBLY INSTRUCTION

## STEP 10



### 13 ANTITIP KIT =2SETS

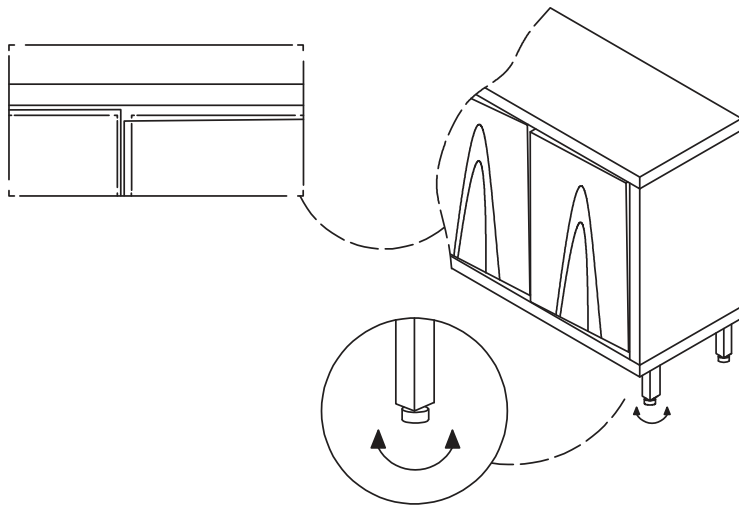
				
2 pcs	4 pcs	2 pcs	2 pcs	2 pcs

# ASSEMBLY INSTRUCTION

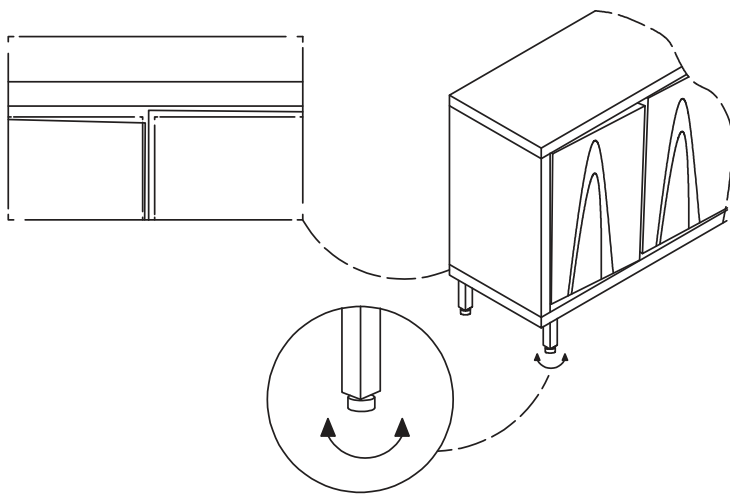
## Is your cabinet door looking crooked or unevenly spaced?

If you're still having trouble lining everything up, your next step should be to try to adjust the feet slightly to square up the cabinet and doors. Follow the instructions below:

If the right door appears to be hanging low, you can adjust the adjustable leveler on the front right until the door is better aligned.



If the left door appears to be hanging low, you can adjust the adjustable leveler on the front left until the door is better aligned.

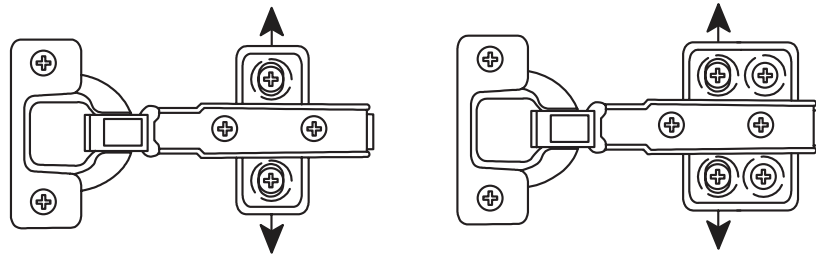
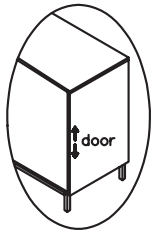


# ASSEMBLY INSTRUCTION

## Is your cabinet door looking crooked or unevenly spaced?

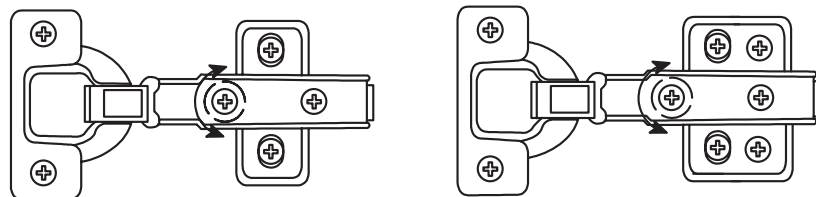
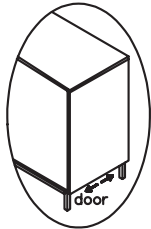
Then you've come to the right place. Follow the illustrations below to get your cabinet door aligned and ready for action,

**If your door is too low or too high...**



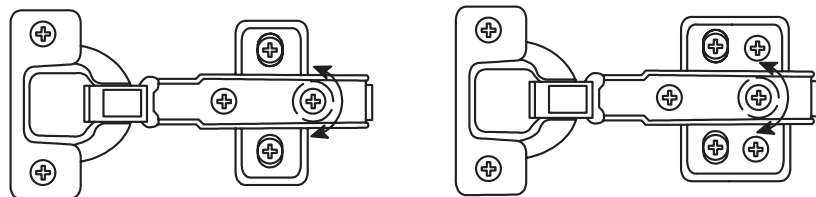
Loosen the height screws, then move the door up or down to make it level.

**If the space between your doors is off...**



Loosen the side-to-side screws, then screw counter-clockwise to make the gap wider or clockwise to close any gaps.

**If you need to adjust the depth of the doors...**



Adjust the in-and-out screws until the door is aligned with the side of the cabinet.