












# Assembly Instructions

**Caution: You must read this before you proceed**

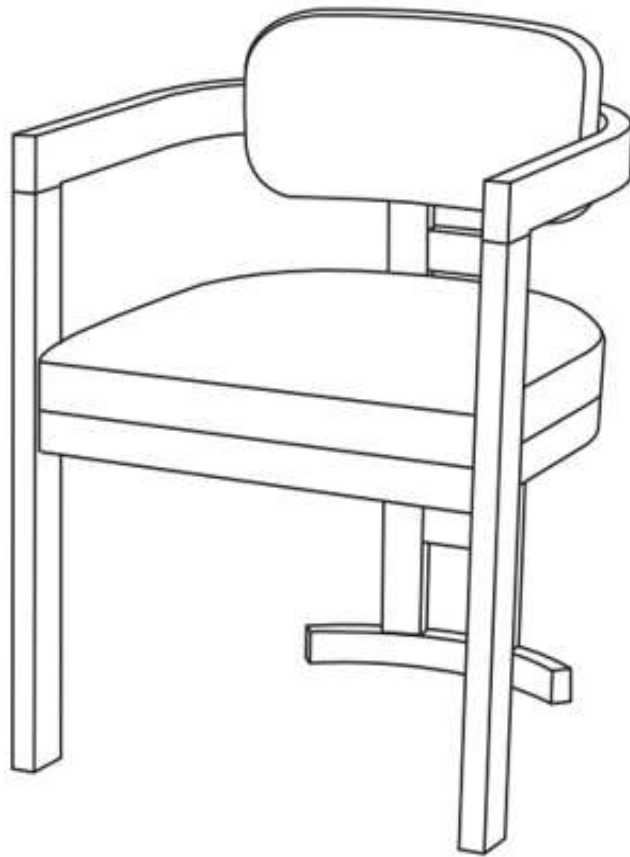
## **Care & Maintenance**

	<ul style="list-style-type: none"><li>● Not for commercial use. For residential use only.</li></ul>
	<ul style="list-style-type: none"><li>● Furniture may scratch floors. We recommend using furniture pads to protect your floors.</li></ul>
	<ul style="list-style-type: none"><li>● Do not put hot items directly on furniture surface.</li></ul>
	<ul style="list-style-type: none"><li>● Do not clean furniture with harsh cleansers or polish.</li></ul>
	<ul style="list-style-type: none"><li>● Do not place furniture under direct sunlight.</li></ul>
	<ul style="list-style-type: none"><li>● Do not place furniture near heating or cooling vents.</li></ul>
	<ul style="list-style-type: none"><li>● Do not write on furniture without a padded barrier to protect the surface.</li></ul>
	<ul style="list-style-type: none"><li>● Do not place furniture outside . For indoor use only.</li></ul>
	<ul style="list-style-type: none"><li>● Stains may be removed with mild soap solution and damp cloth.</li></ul>
	<ul style="list-style-type: none"><li>● Children should not climb or jump on the furniture.</li></ul>
	<ul style="list-style-type: none"><li>● Dust and pick-up spills using a clean, non-colored, lint-free cloth.</li></ul>

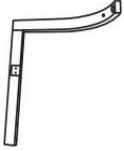
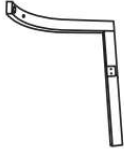
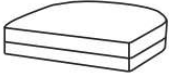

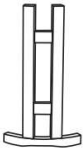
Please look in the magic tape pouch for hardware packs and legs

Sets often ship in multiple boxes and may arrive a day or two apart.







# CHAIR












## Part List

Label	Picture	Description	QTY
A		Left Arm with Leg	1
B		Right Arm with Leg	1
C		Chair Seat	1
D		Backrest	1
E		Back with Leg	1

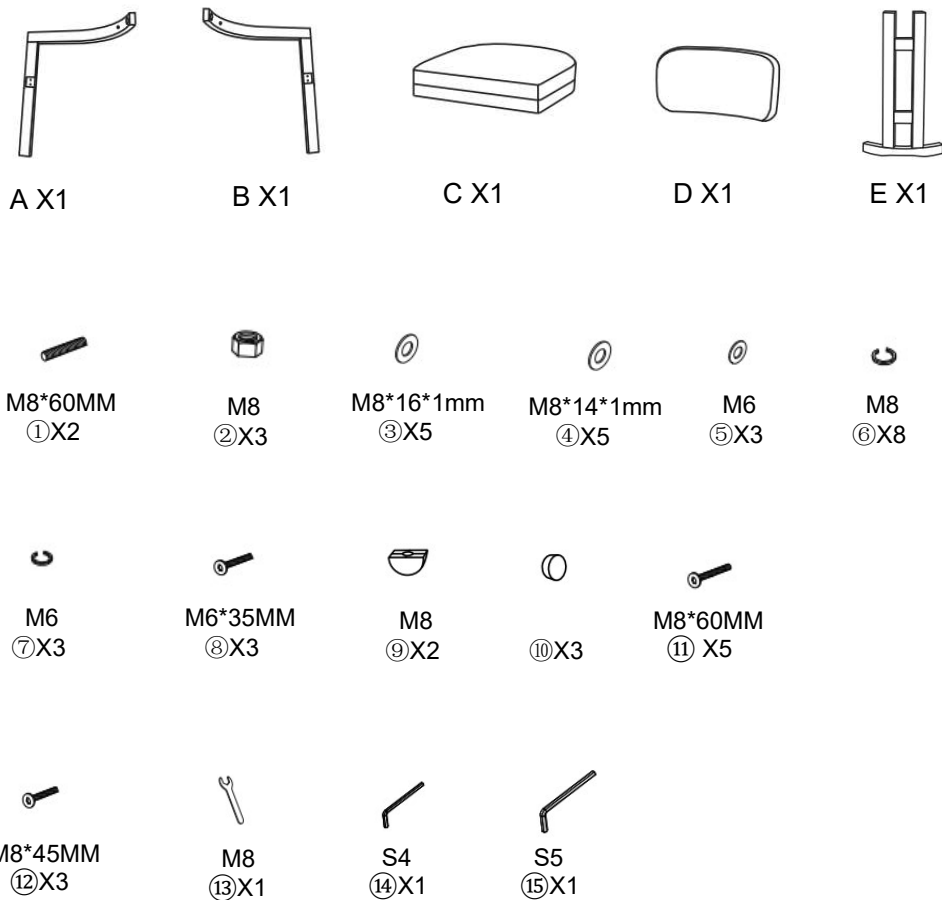
## Hardware List

Label	Picture	Description	QTY
①		Full tooth screw(M8*60mm)	2
②		Nut(M8)	3
③		Flat Washer(M8*16*1mm)	5
④		Flat Washer(M8*14*1mm)	5
⑤		Flat Washer(M6)	3
⑥		Spring Washer(M8)	8

⑦		Spring Washer(M6)	3
⑧		Bolt(M6*35MM)	3
⑨		Crescent Nut(M8)	2
⑩		Finial	3
⑪		Bolt(M8*60mm)	5
⑫		Bolt(M8*45mm)	3
⑬		Nut Wrench	1
⑭		Allen Wrench(S4)	1
⑮		Allen Wrench(S5)	1

## Assembly Preparation

Before Beginning Assembly:





- Read instructions, cover to cover-



- Have 2 adults on hand for assembly-



- Do not assemble on flooring or carpet-



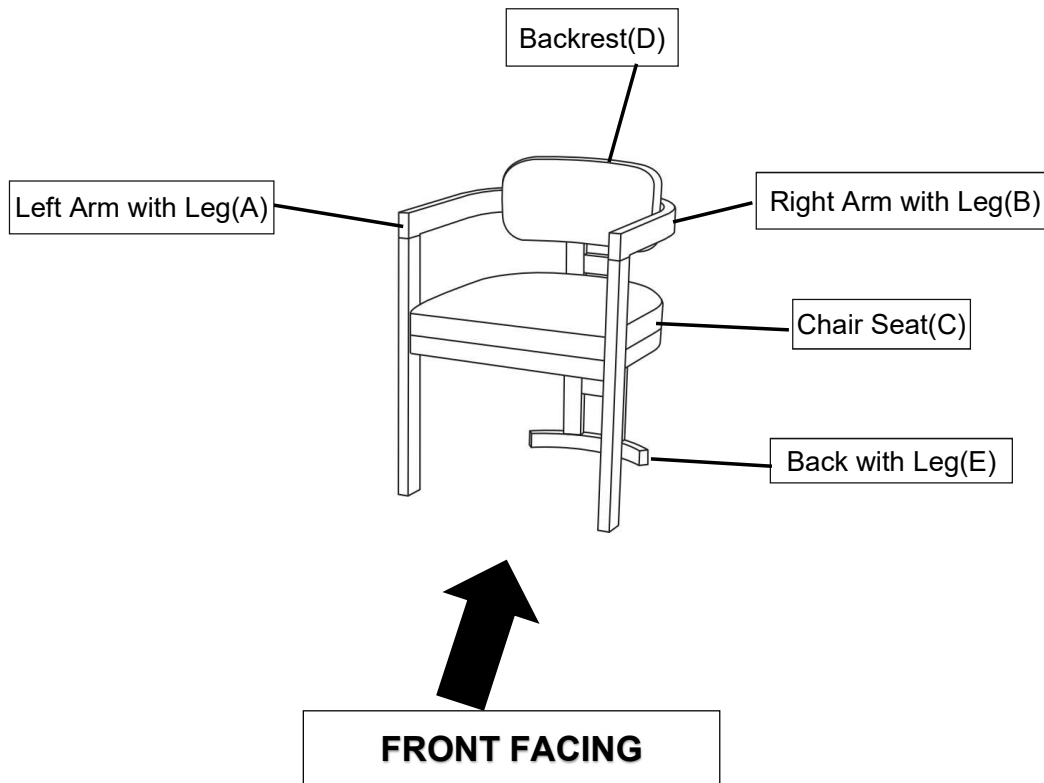
- Assemble on a clean non-marring surface (packing foam)-



- Save all packaging until finished-

## Assembly Steps

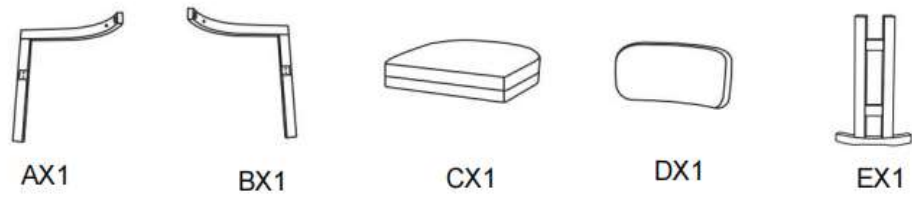
### OVERVIEW



This Chair has multiple parts and may require up to 60 minutes to assemble. To give you an overview of the Chair parts, the above picture is to help you put the various parts into perspective. Please read through the instructions below to familiarise yourself with the parts and steps before assembly.

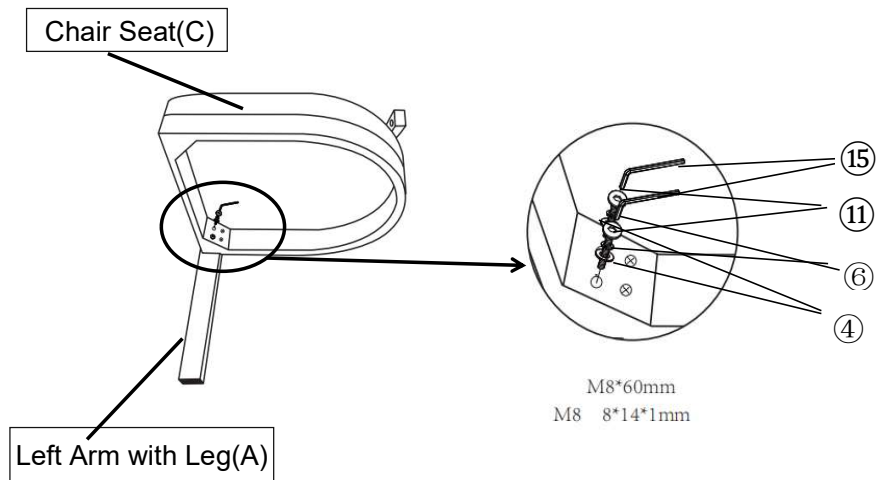
**Note: It is recommended that you have an adult partner to assist during the entire assembly process.**

**Step 1**



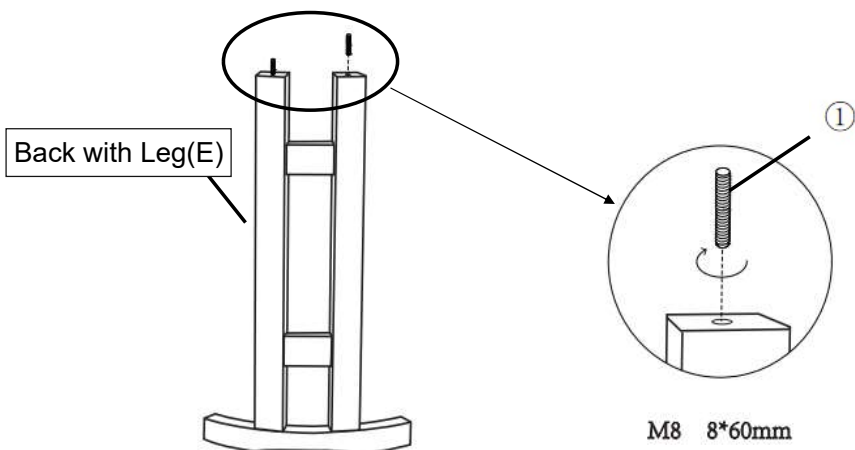
Place all parts on a clean, flat surface.

**Step 2**



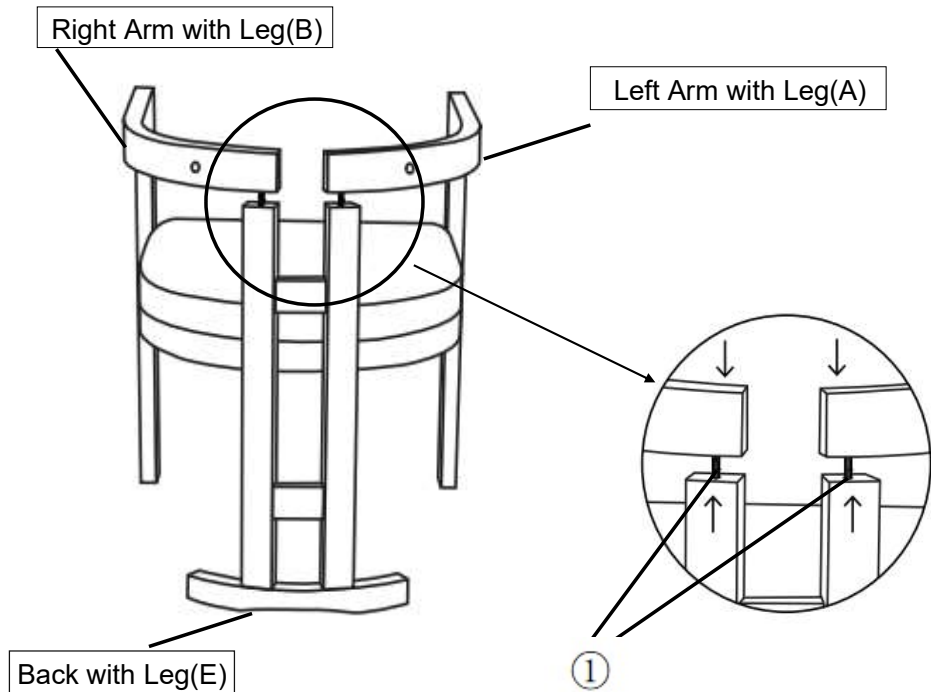
Attach the Left Arm with Leg(A) to Chair Base(C) using Bolt (⑪),Washer (④)and Spring Washer(⑥) with Allen Wrench(⑮).  
Repeat the same steps to install the Right Arm with Leg(B),as shown above.

**Step 3**



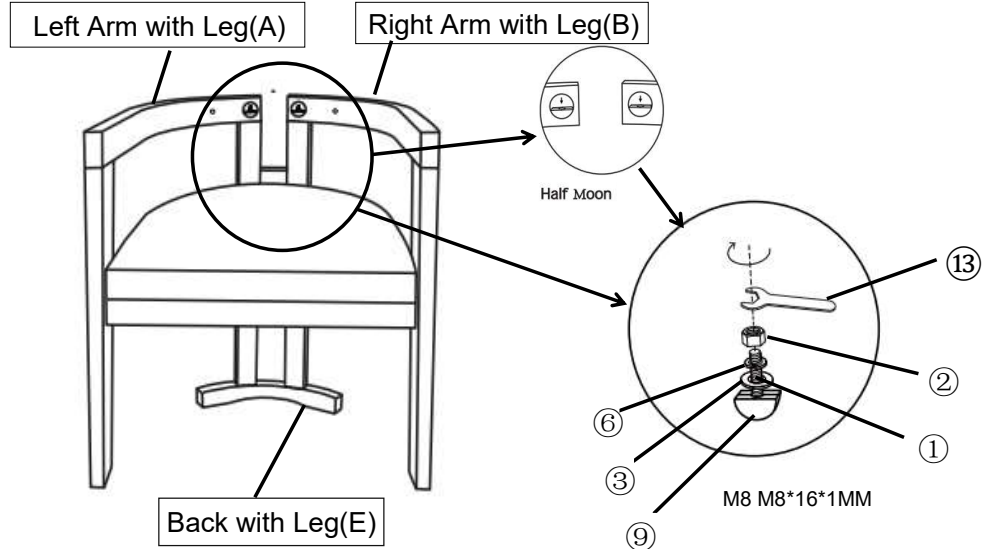
Insert the Full tooth screw(①) into top of the Back with Leg(E) , as shown above. shown in above picture.

**Step 4**



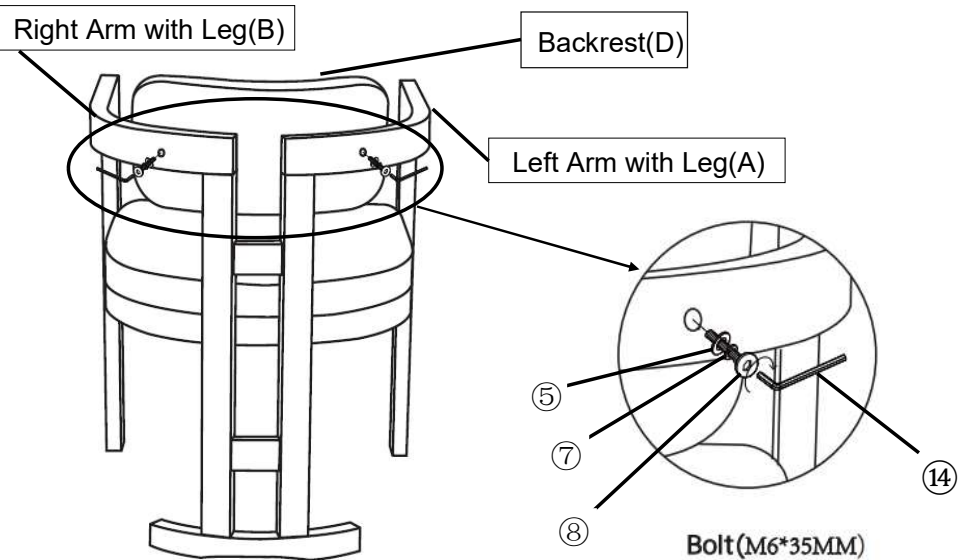
Insert the Back with Leg(E) to the mountings on Left Arm with Leg(A) and Right Arm with Leg(B),as shown above.

**Step 5**



Attach the Left Arm with Leg(A) and Right Arm with Leg(B) to the Back with Leg(E) using Bolt(①), Flat Washer(③),Spring Washer(⑥) ,Nut(②),Crescent Nut(⑨)with Nut Wrench(⑬),as shown above.

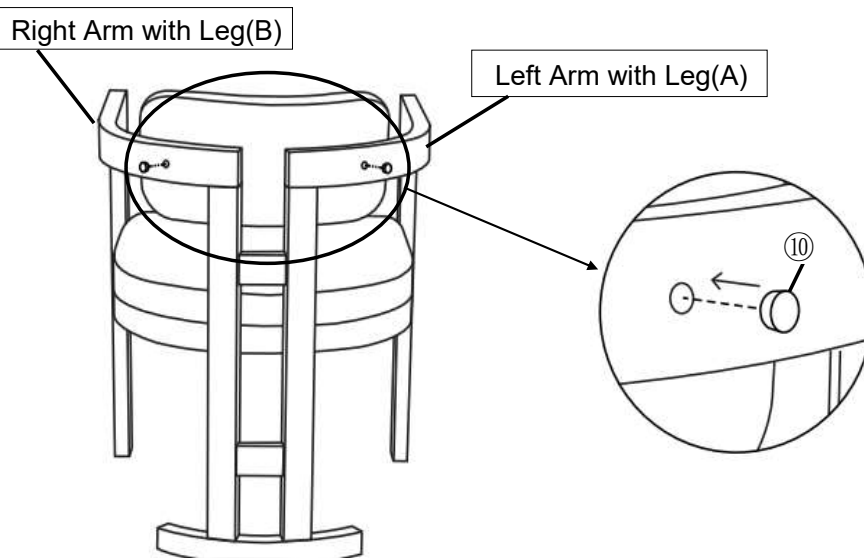
### Step 6



Attach the Backrest(D) to the Left Arm with Leg(A) and Right Arm with Leg(B) using Bolt(8), Flat Washer(5), Spring Washer(7), with Allen Wrench(14), as shown above.

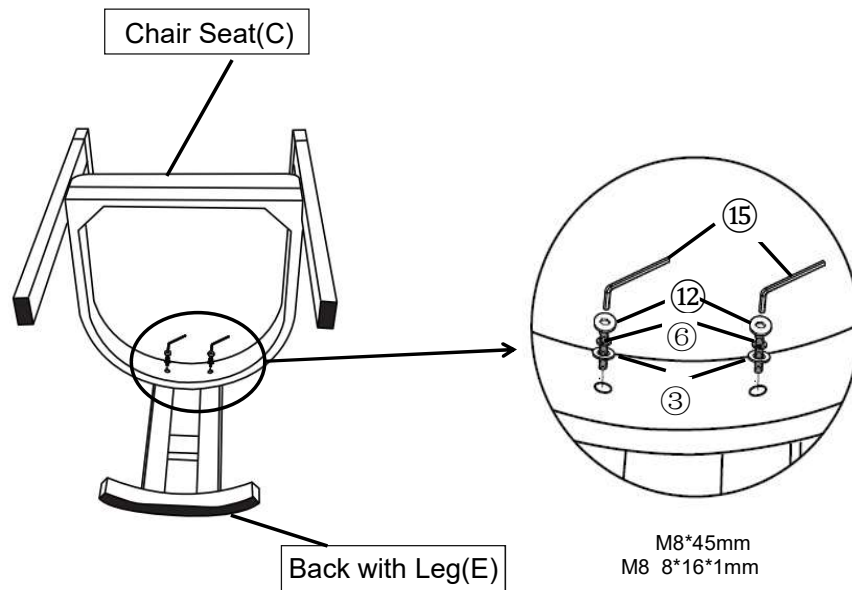
Note: In this step, insert two screws into the hole at the same time, rotate one of the screws halfway in, then rotate the other screw to lock it. Finally, tighten both screws.

### Step 7



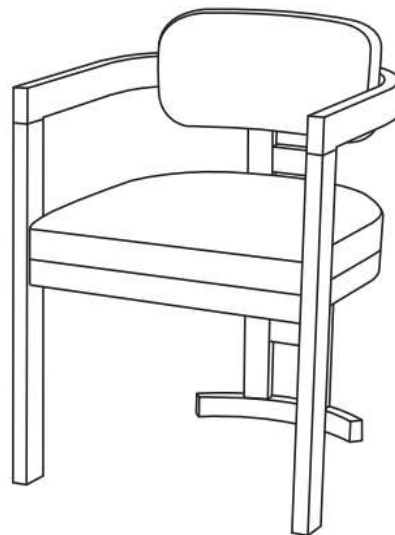
Plug the hole on the back of Left Arm with Leg(A) and Right Arm with Leg(B) with the Finial(10)

**Step 8**



Attach the Chair Seat(C) to the Back with Leg(E) using Bolt(12), Flat Washer(3), Spring Washer(6) with Allen Wrench(15), as shown above.

**Step 9**



Your Chair is ready for use.  
This Chair can only be used on a flat, level surface.