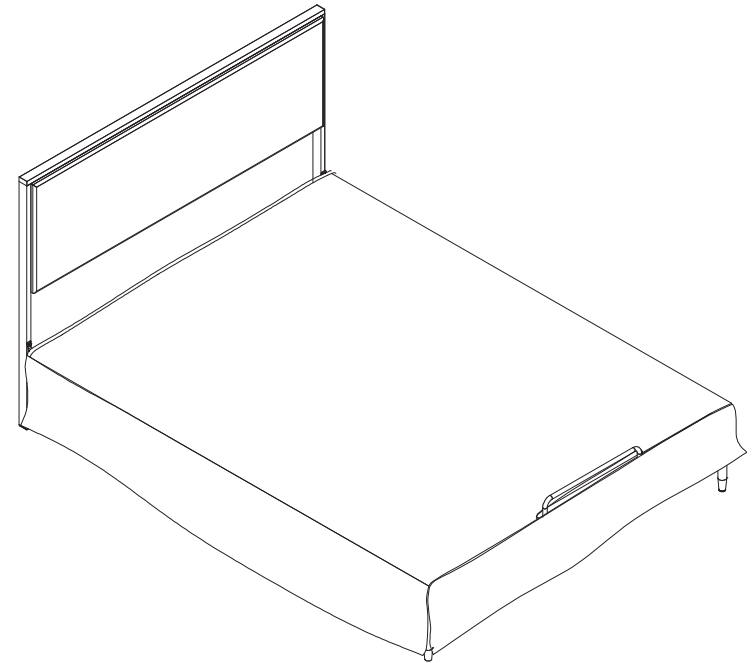


WARRANTY

1. We strive to offer high-quality products, and we also try our best to satisfy each and every customer that orders from us with product or service as needed.
2. We provide 30 days warranty starting from the time you receive the item. Each customer must provide a record of their order such as the order number, or item receipt for any items that are out of the warranty period you may also still receive.
3. Replacement parts by purchasing them with our company if they are available.



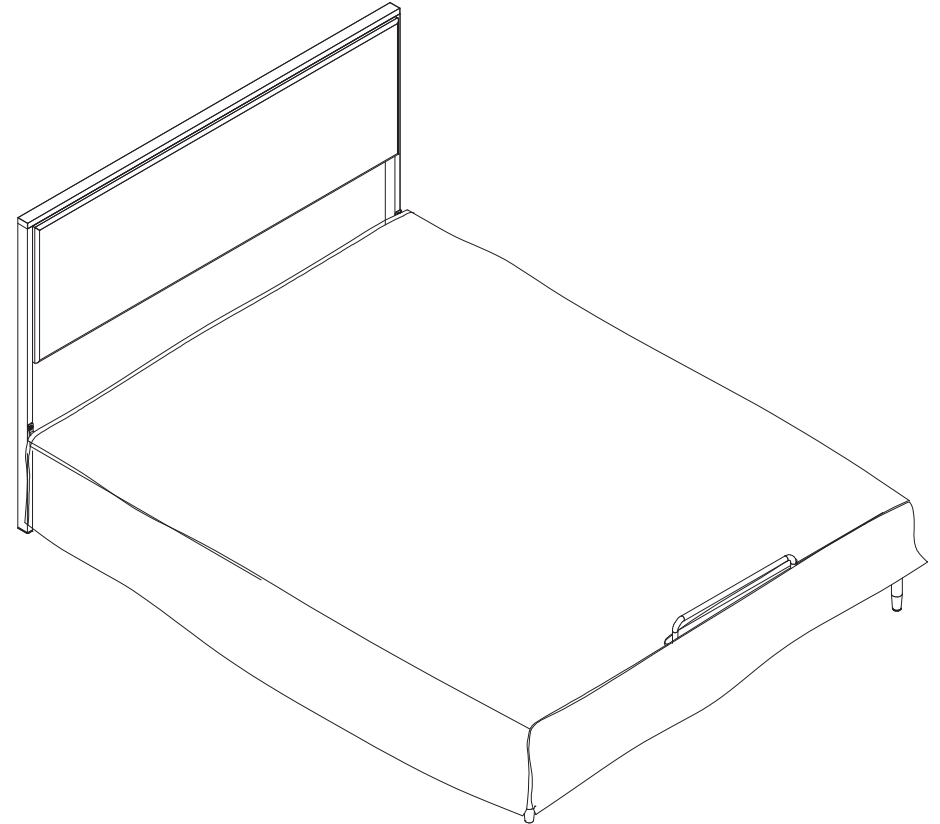
NOTE:

This brochure contains IMPORTANT safety info. Please read and keep for future reference.

MAINTENANCE AND WARNING

- 1.Keep furniture away from heat sources.
- 2.Do not clean furniture with harsh cleaner or polishes.Do not use detergents,solvents,abrasives,spray packs or leather cleaner. Use non-color mild soa with warm water to clean spills(Mix 1:10 soap to water).
- 3.Do not place furniture under direct sunlight,material will possibly fade over time.
- 4.Do not use on site dry cleaning machine.Children should not climb or jump on the furniture.
- 5.Do not write on furniture that is not protectedby a padded barrier.
- 6.Not for commercial use,only for residential use.

ASSEMBLY INSTRUCTIONS STEP-14



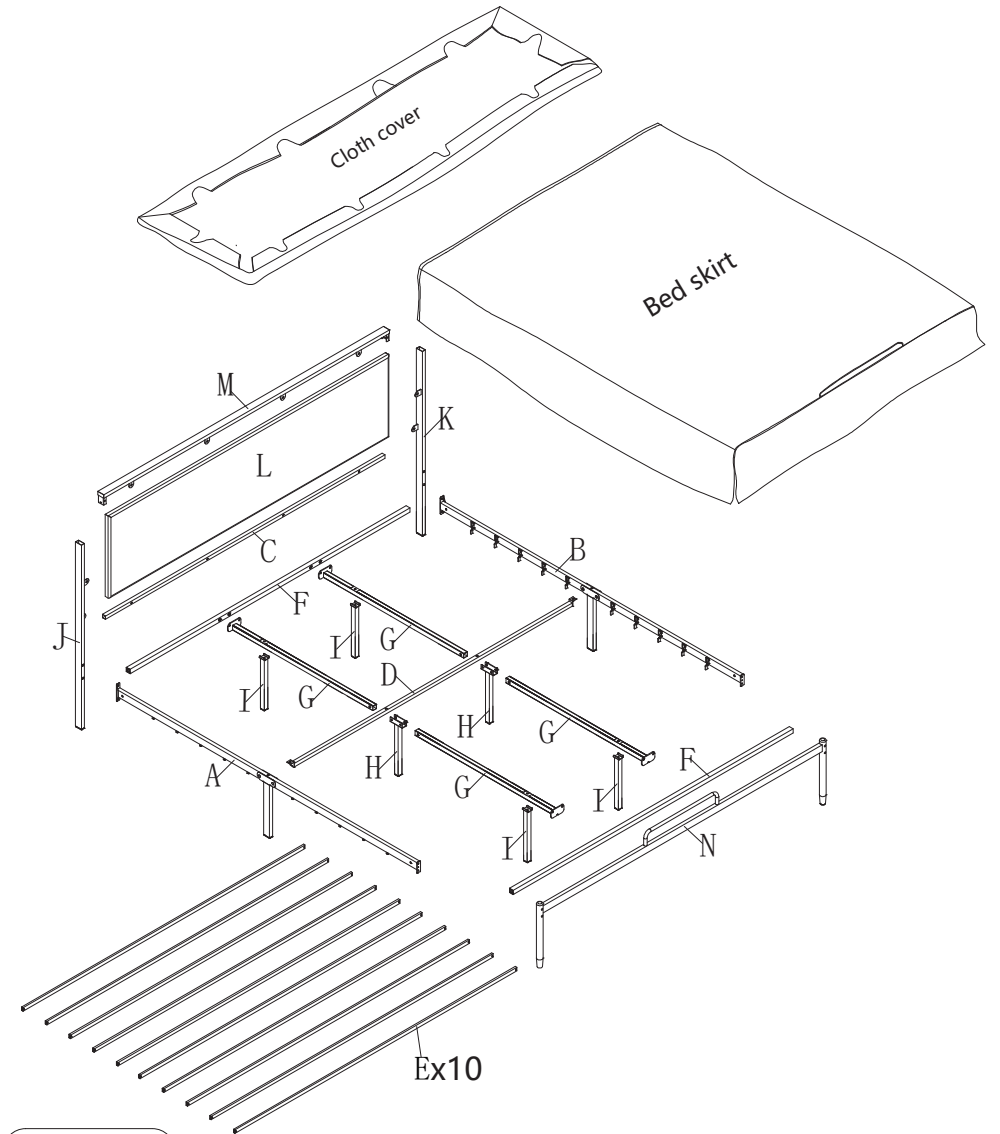
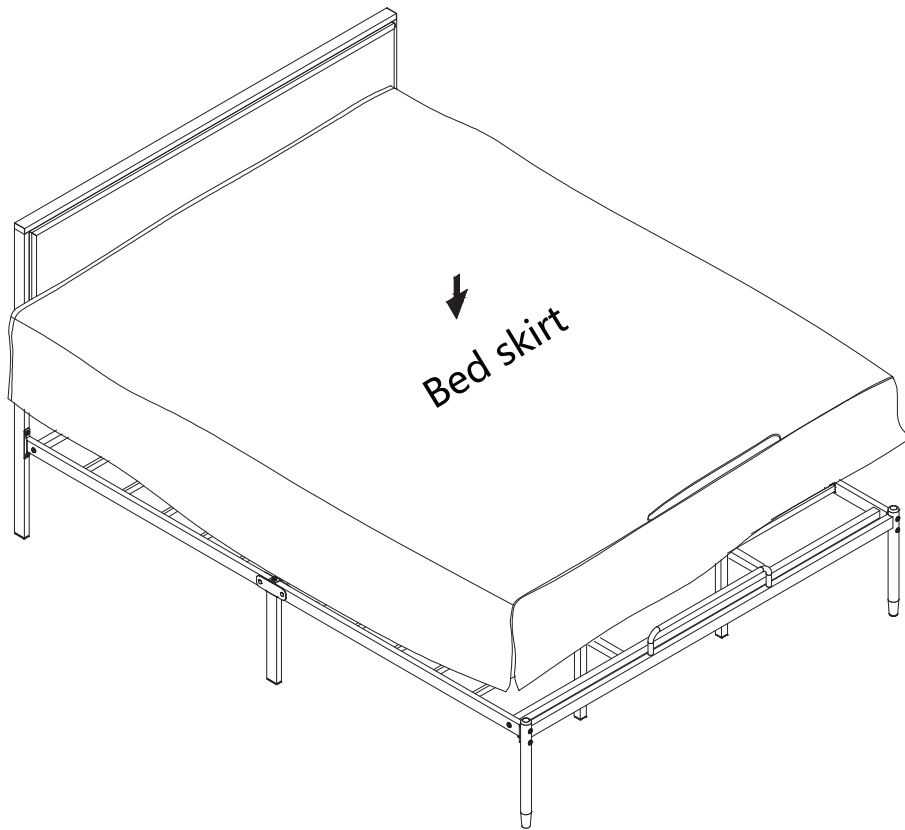
Assembly completed.



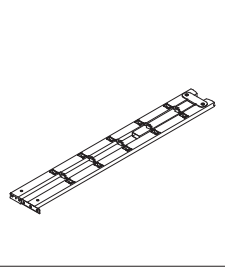
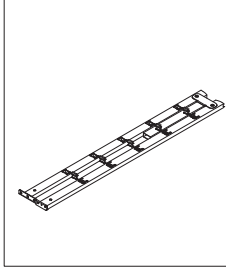
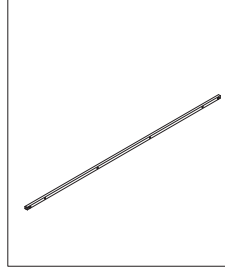
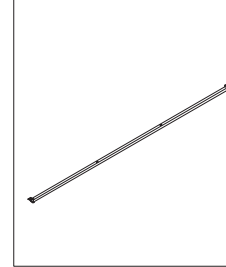

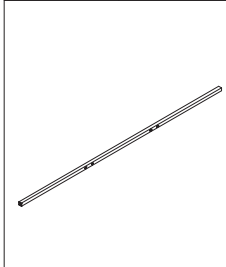
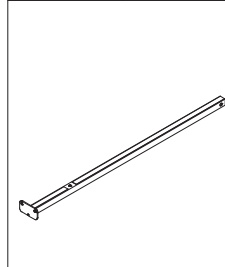
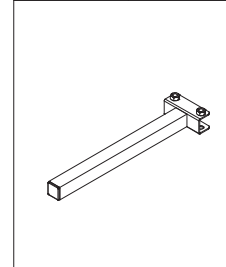
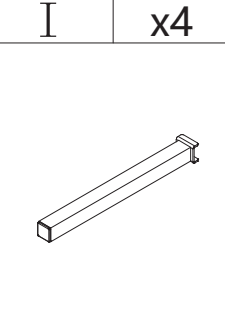
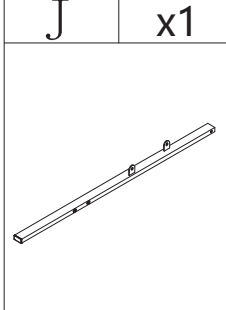
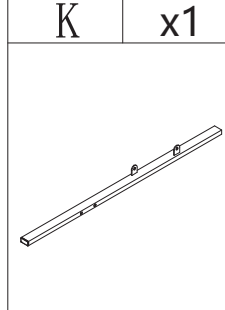
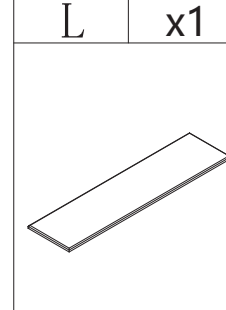
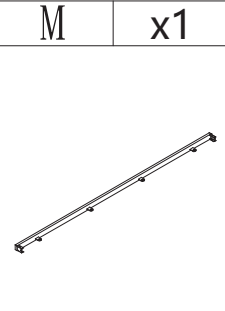
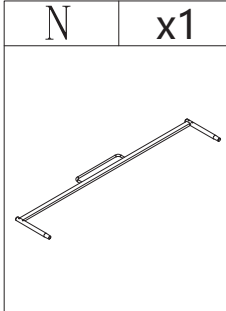
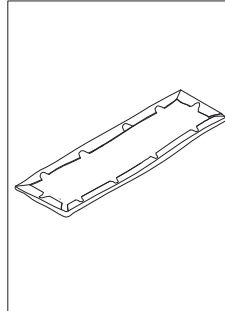
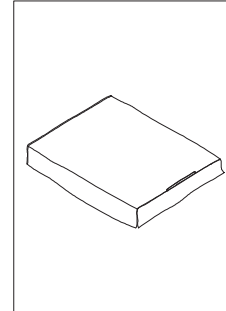
ASSEMBLY INSTRUCTIONS

STEP-13

EXPLOSIVE VIEW

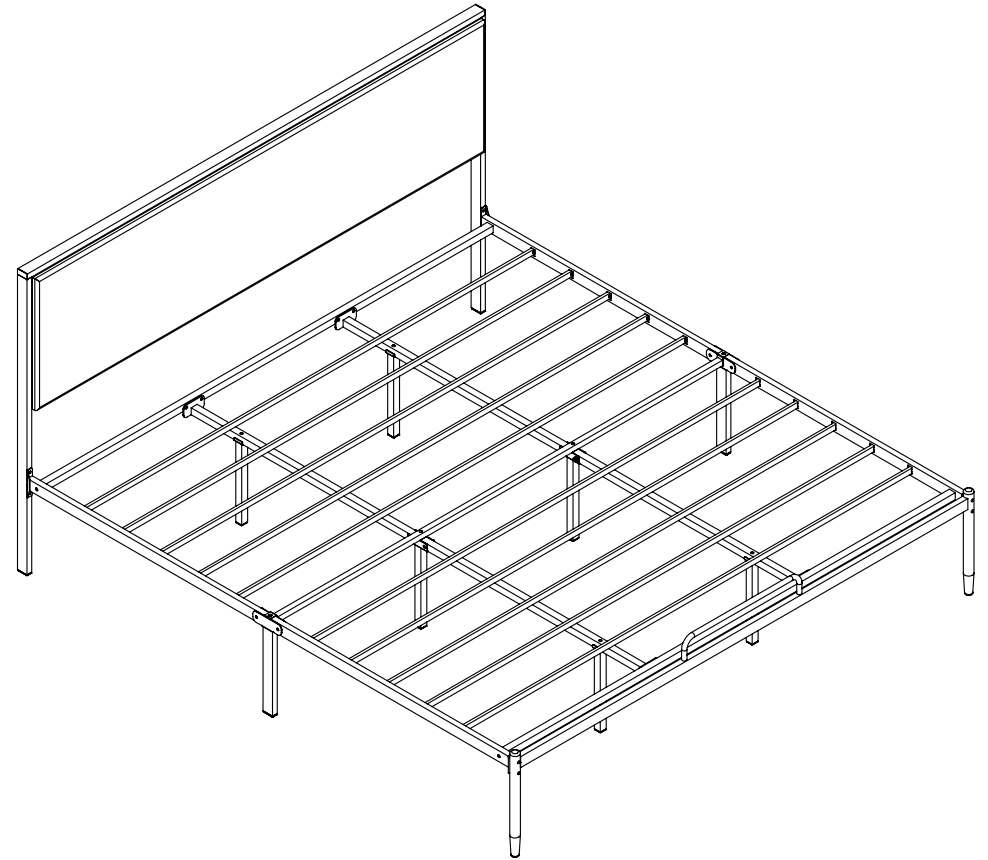


PARTS LIST

A	x1	B	x1	C	x1	D	x1
							
E	x10	F	x2	G	x4	H	x2
							
I	x4	J	x1	K	x1	L	x1
							
M	x1	N	x1				
							

ASSEMBLY INSTRUCTIONS

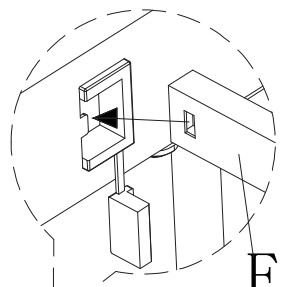
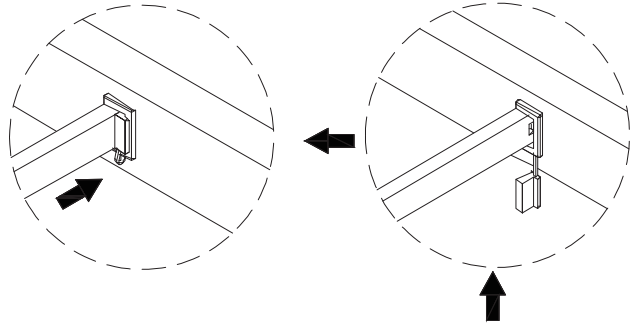
STEP-12



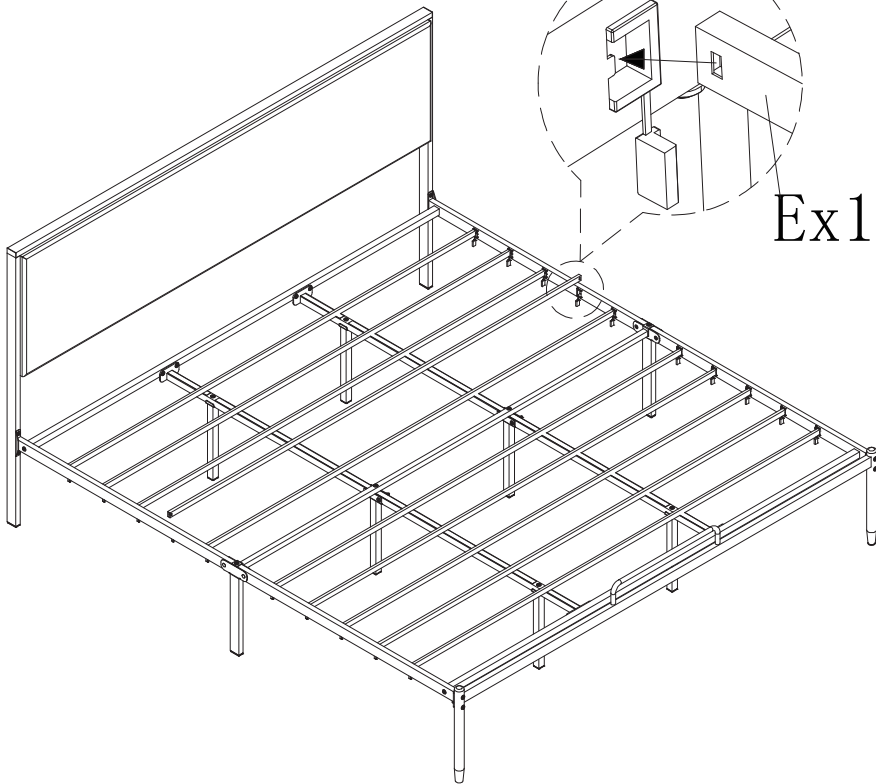
ASSEMBLY INSTRUCTIONS

STEP-11



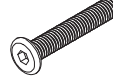
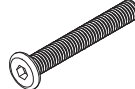
Note: Please push to the bottom!



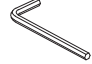
Ex10





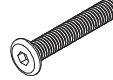
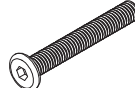
HARDWARE LIST

#1	x18	#2	x4	#3	x20	#4	x4
							
M8*16mm		M8*30mm		M8*45mm		M8*55mm	

TOOL LIST

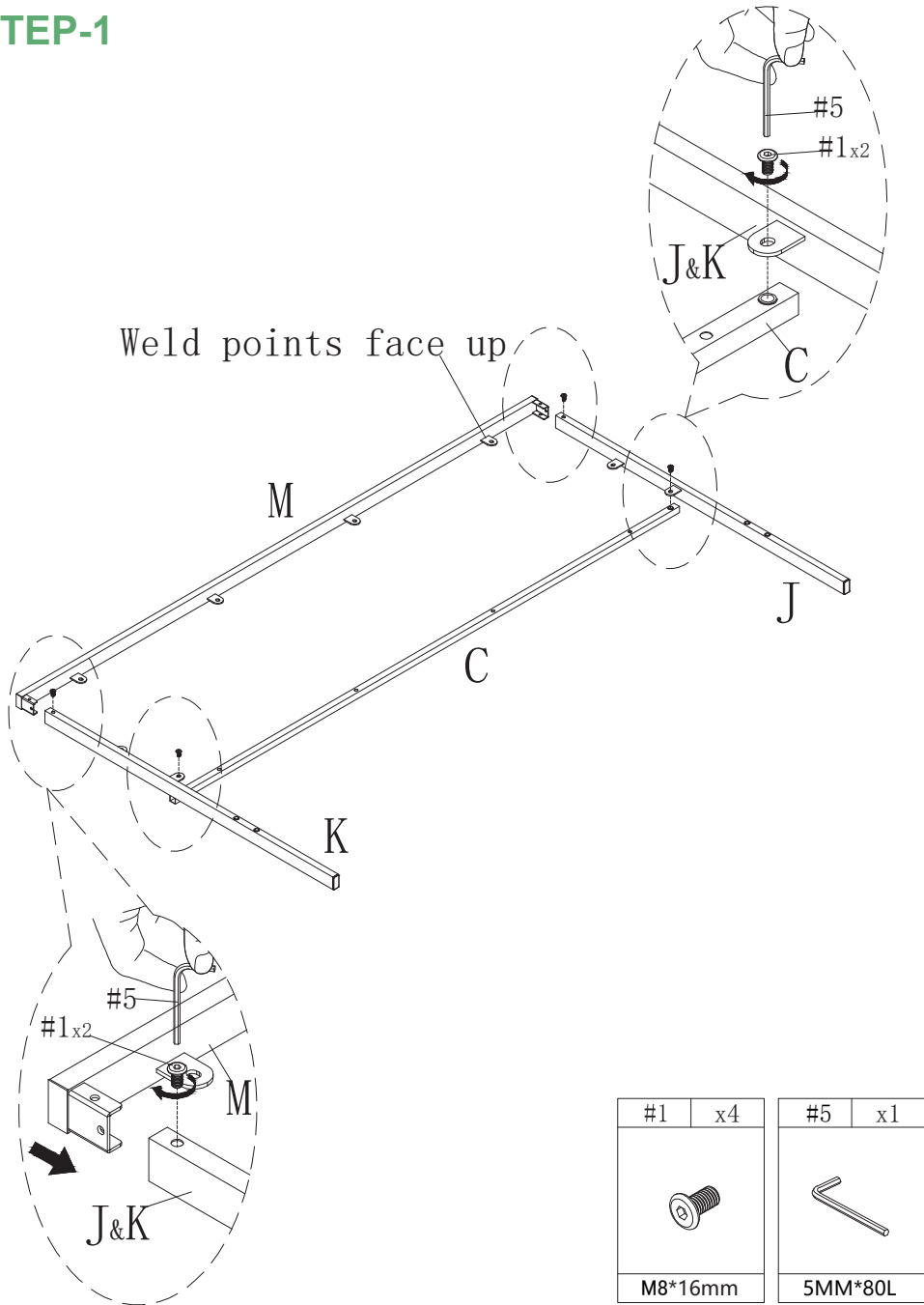
#5	x1
	
5MM*80L	

HARDWARE SPARE LIST

#1	x1	#2	x1	#3	x1	#4	x1
							
M8*16mm		M8*30mm		M8*45mm		M8*55mm	

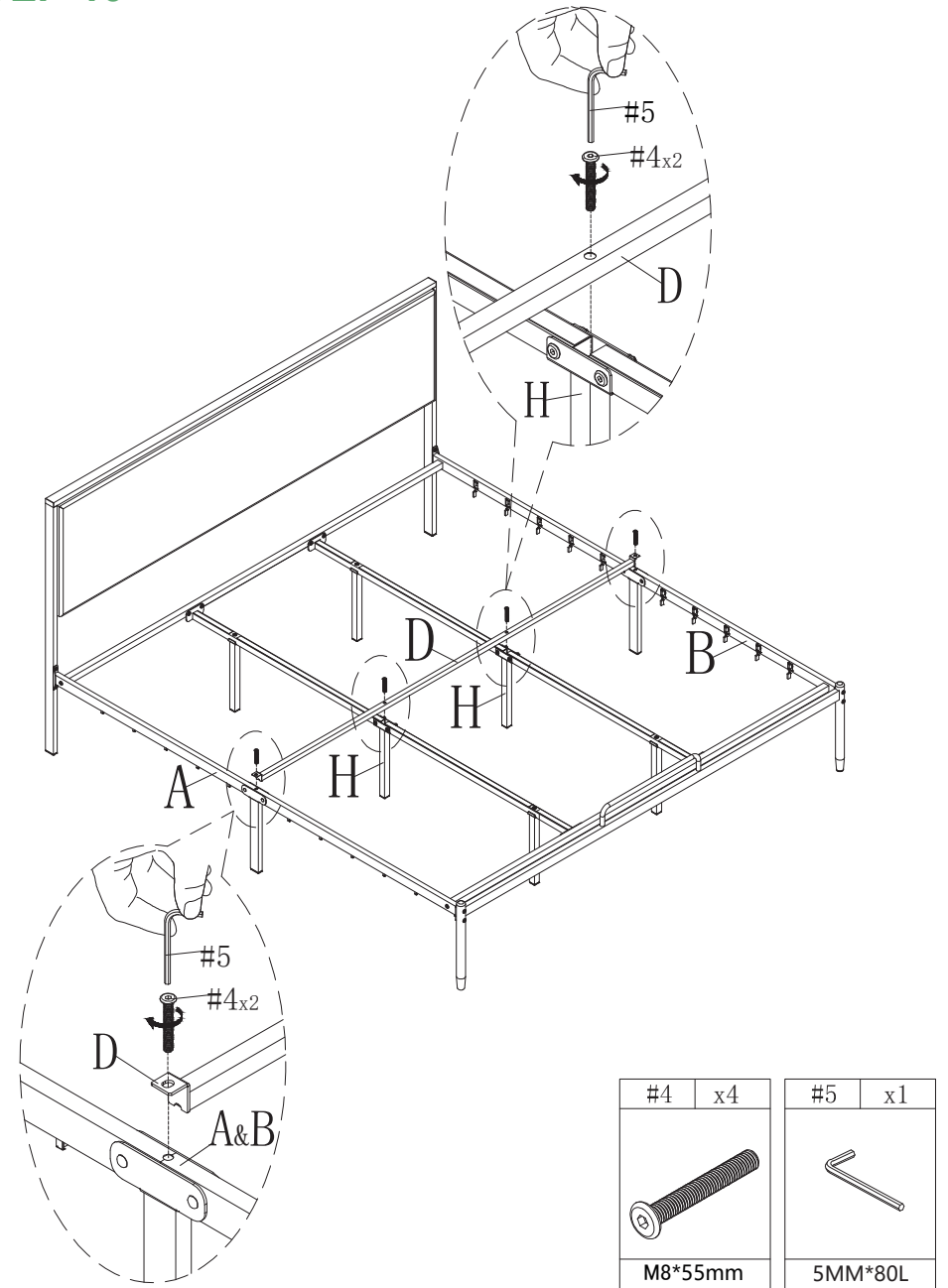
ASSEMBLY INSTRUCTIONS

STEP-1



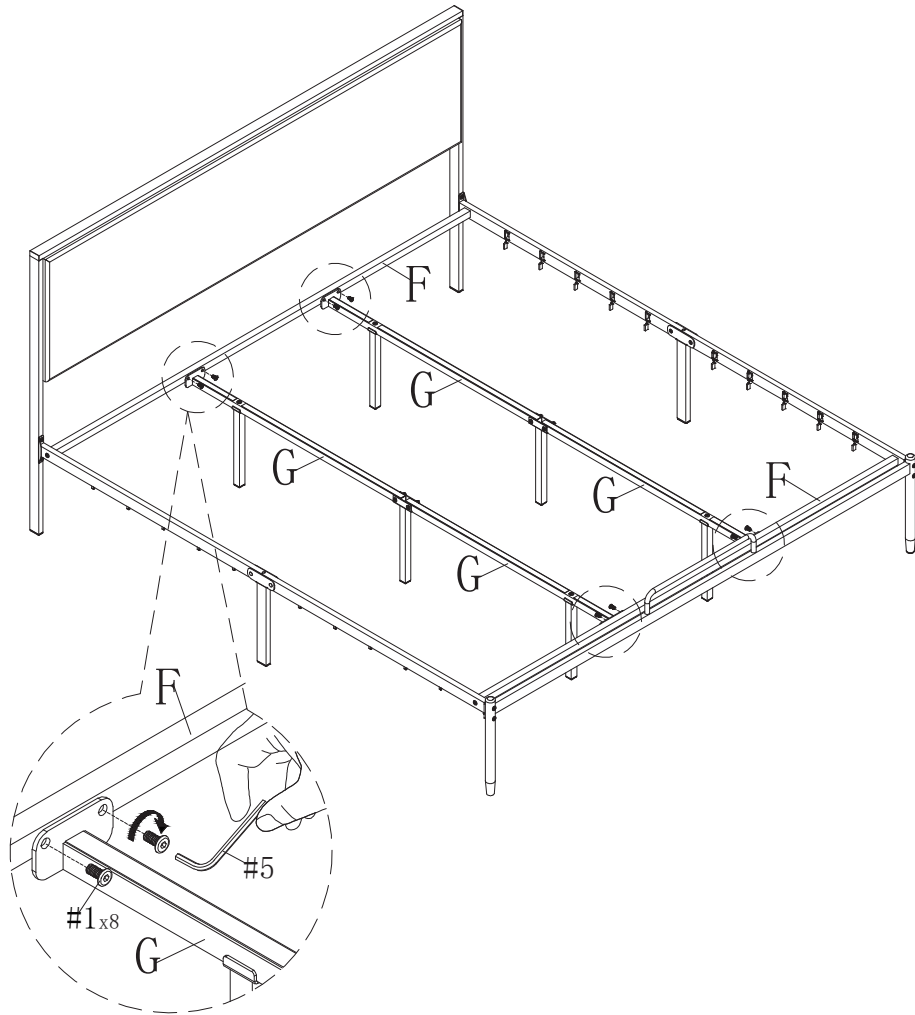
ASSEMBLY INSTRUCTIONS


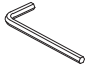
STEP-10



ASSEMBLY INSTRUCTIONS

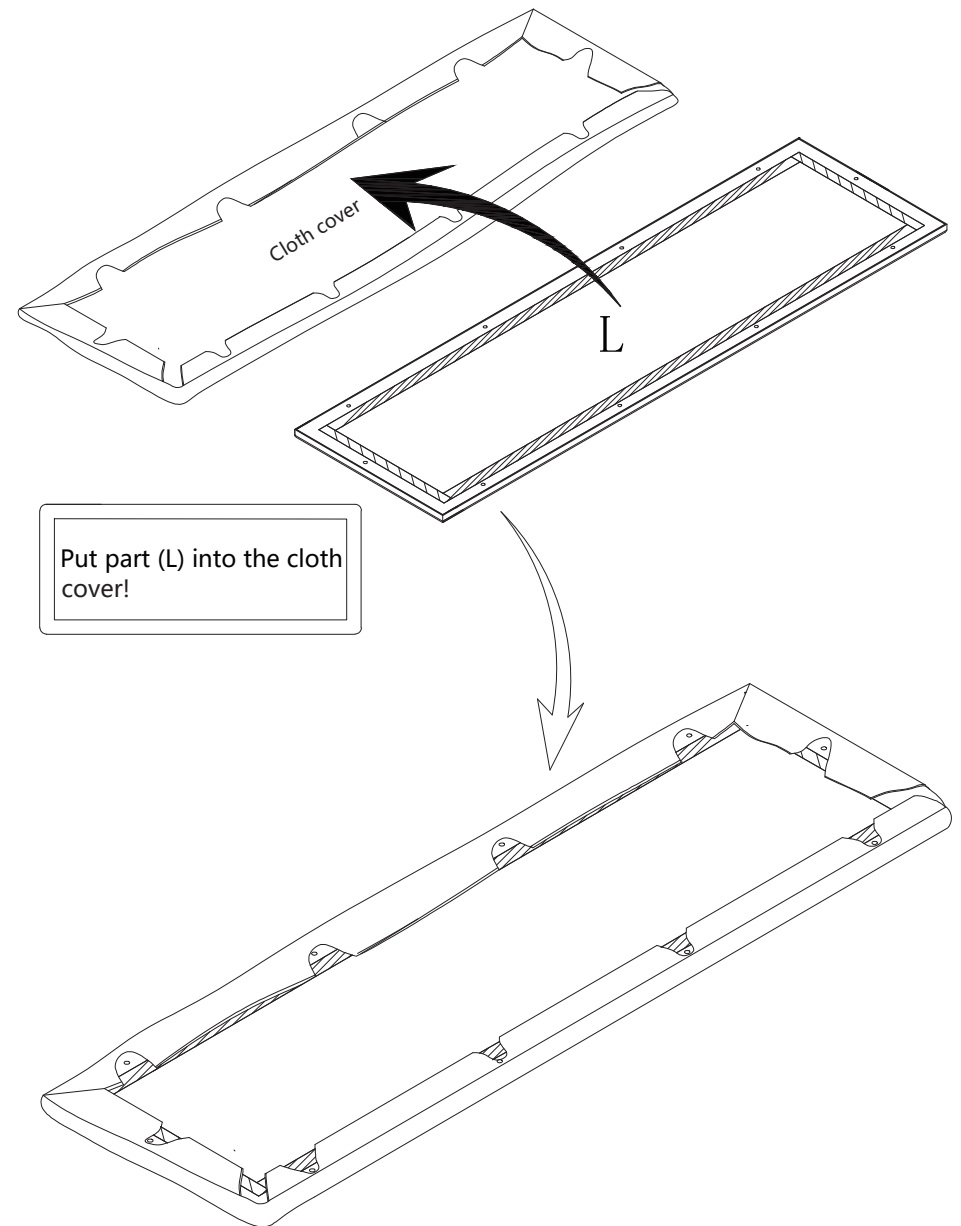
STEP-9



#1	x8	#5	x1
			
M8*16mm		5MM*80L	

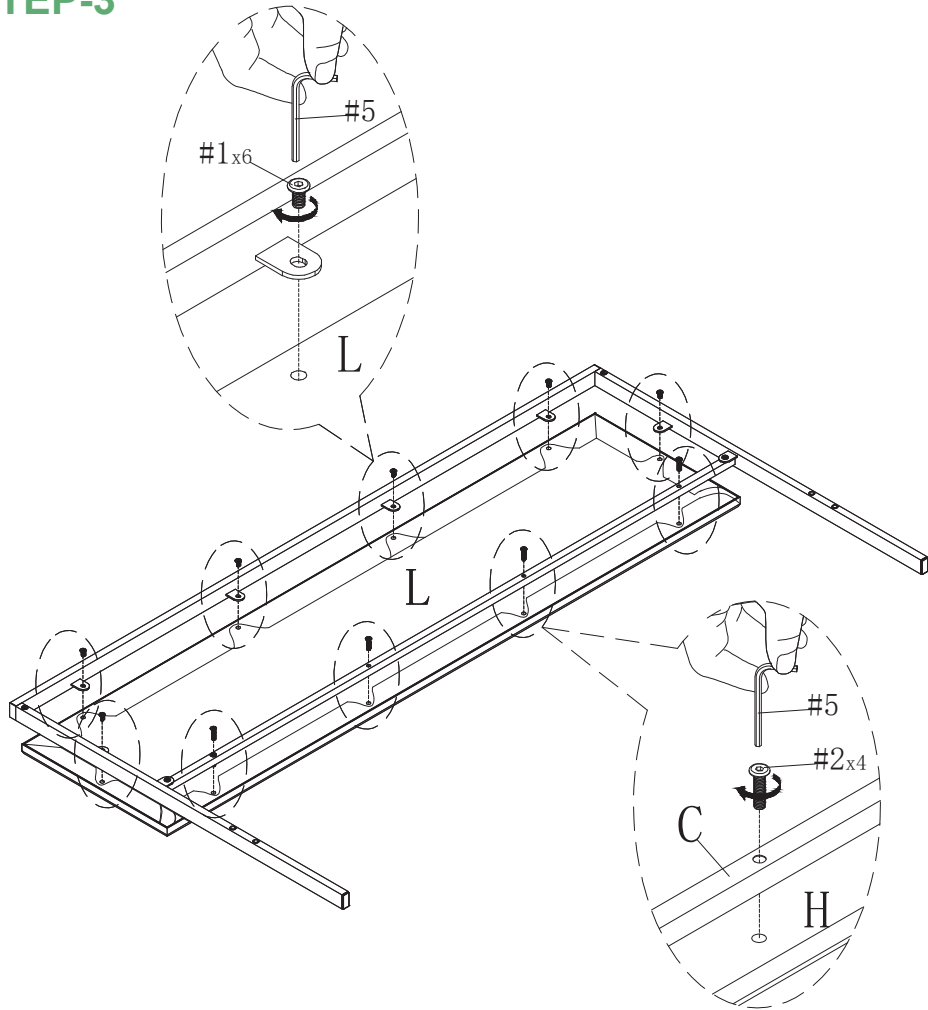
ASSEMBLY INSTRUCTIONS


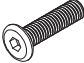
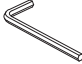
STEP-2



ASSEMBLY INSTRUCTIONS

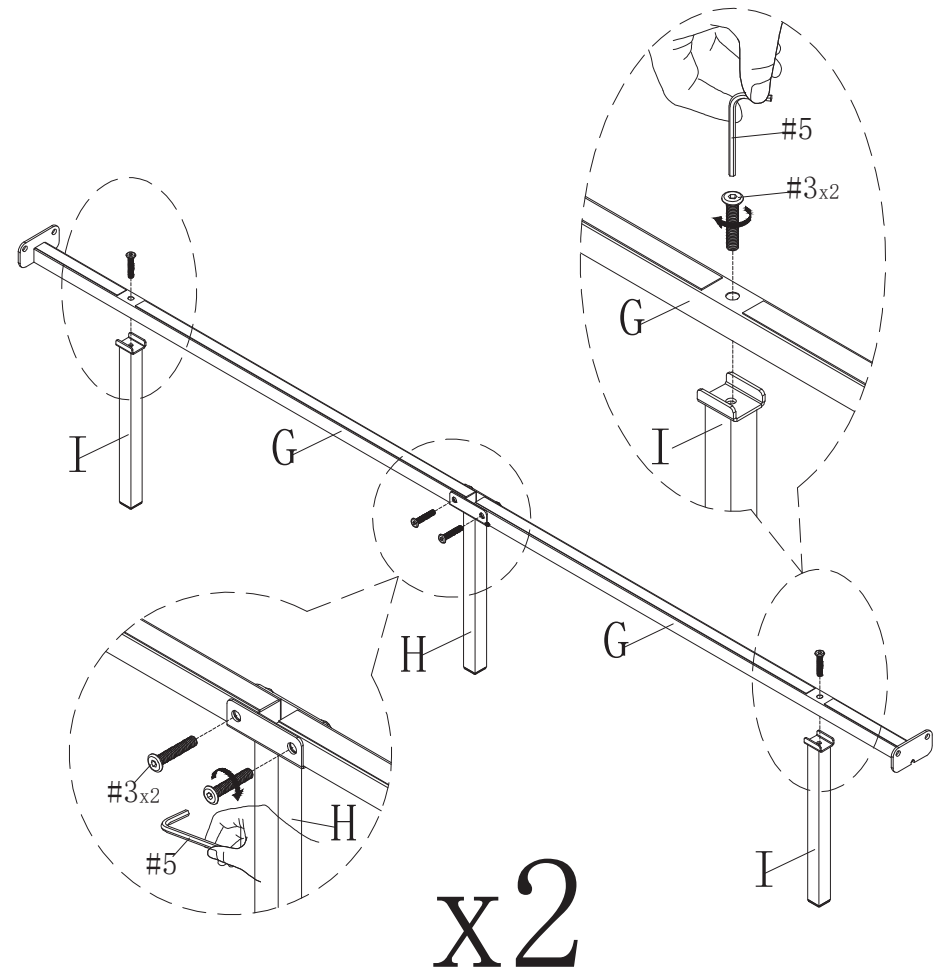
STEP-3

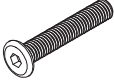
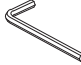


#1	x6	#2	x4	#5	x1
					
M8*16mm		M8*30mm		5MM*80L	

ASSEMBLY INSTRUCTIONS

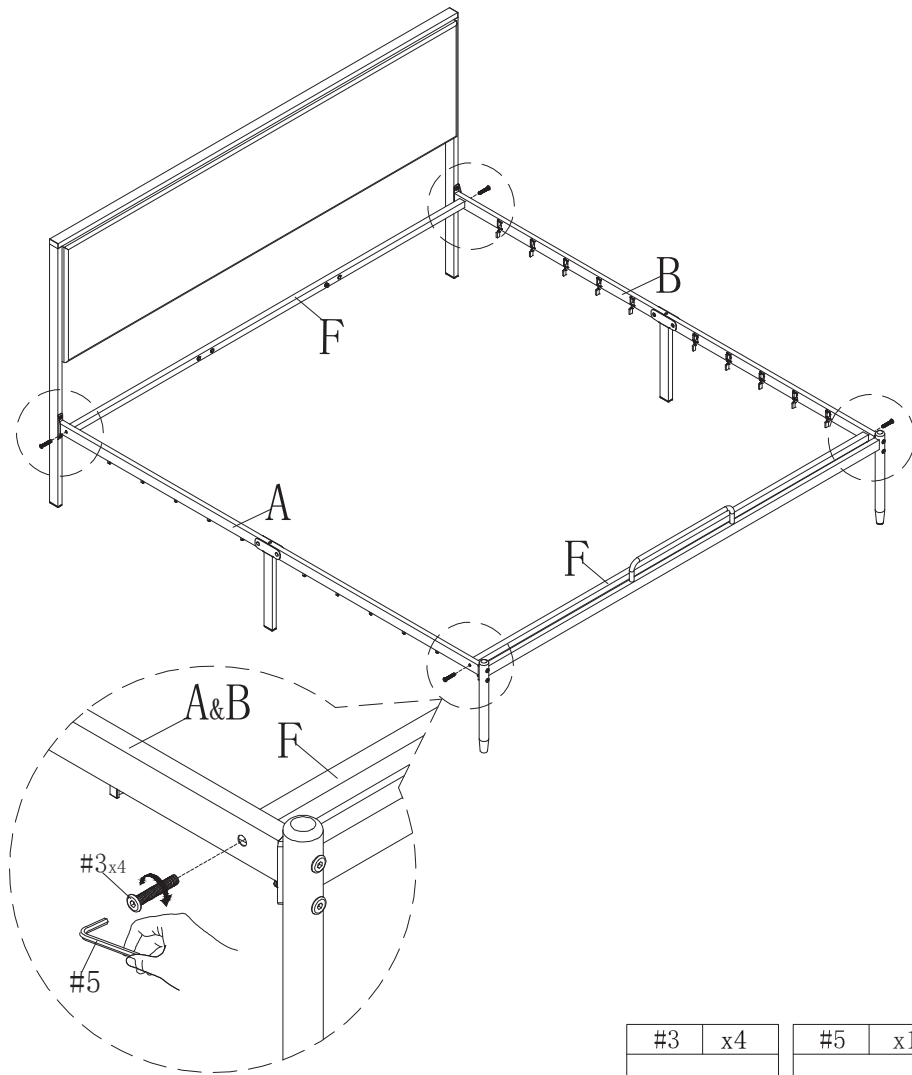
STEP-8

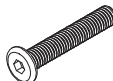
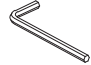


#3	x8	#5	x1
			
M8*45mm		5MM*80L	

ASSEMBLY INSTRUCTIONS

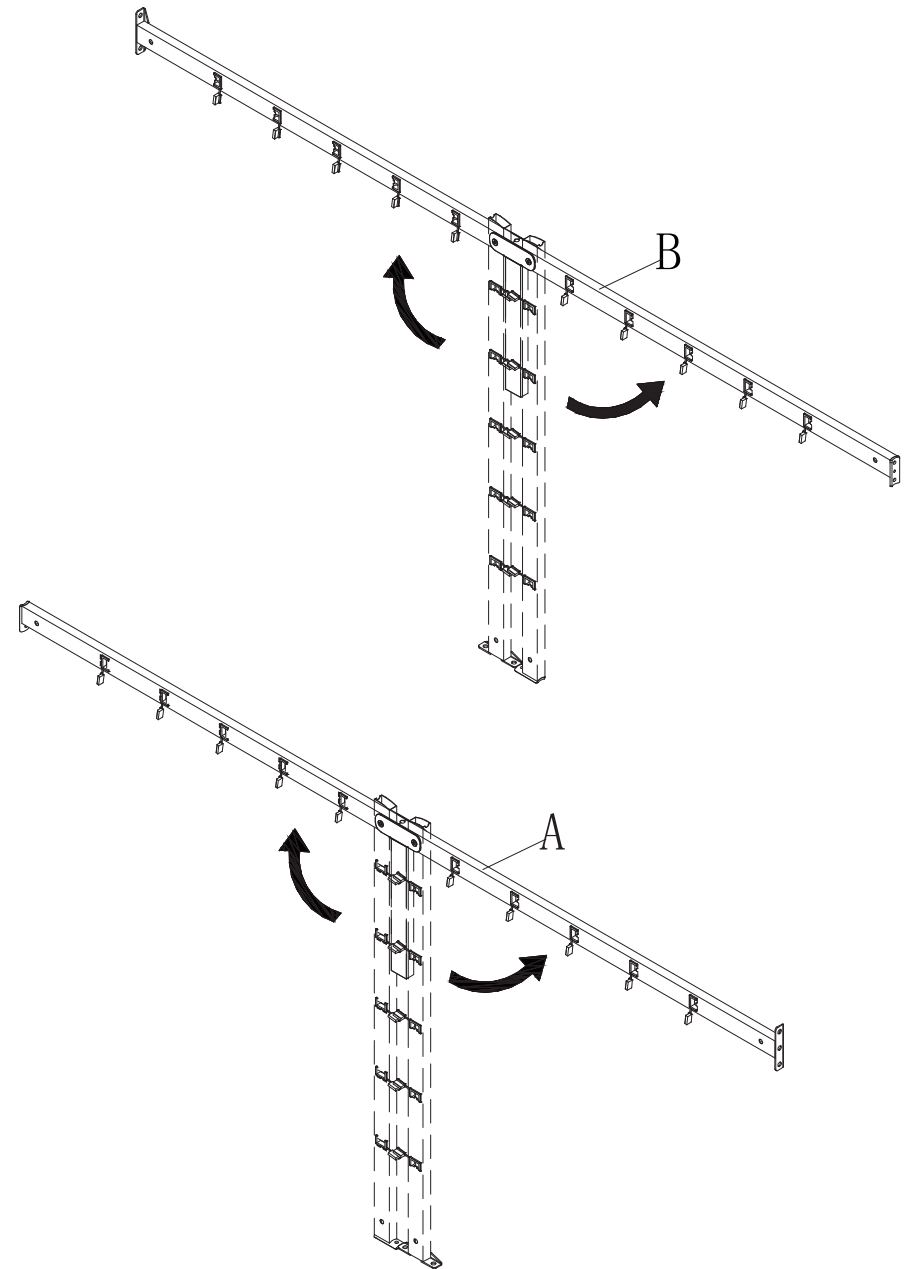
STEP-7



#3	x4	#5	x1
			
M8*45mm		5MM*80L	

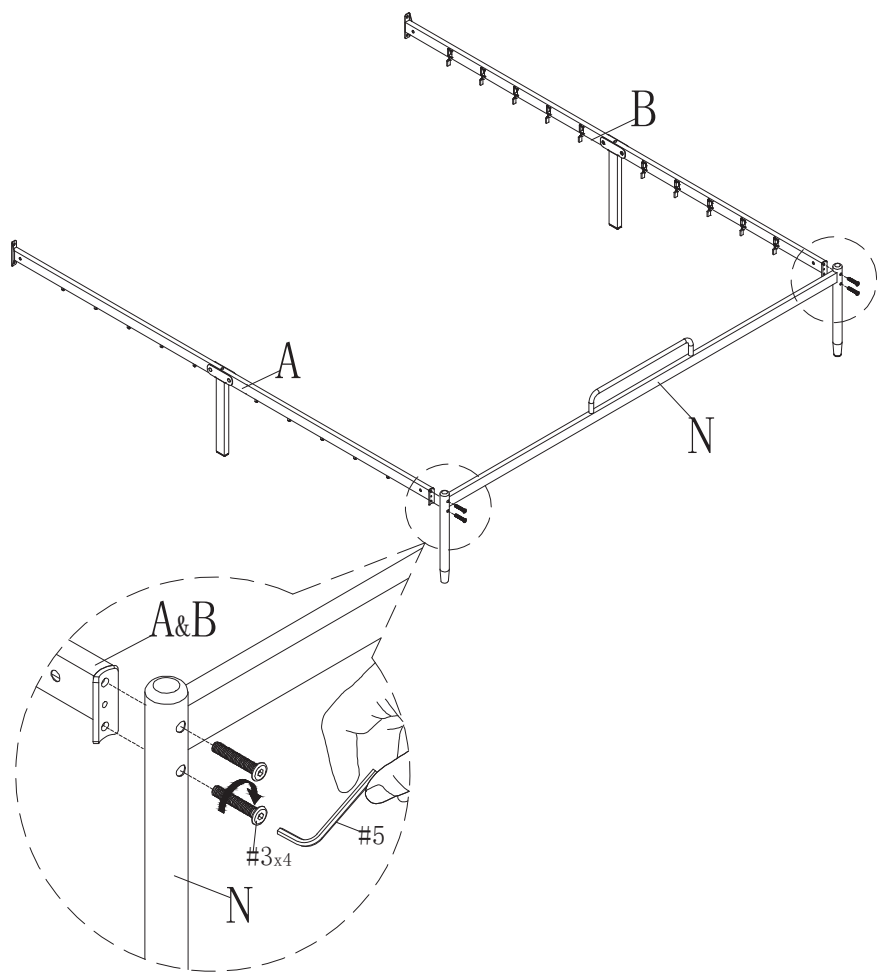
ASSEMBLY INSTRUCTIONS

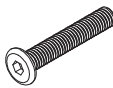
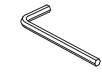
STEP-4



ASSEMBLY INSTRUCTIONS

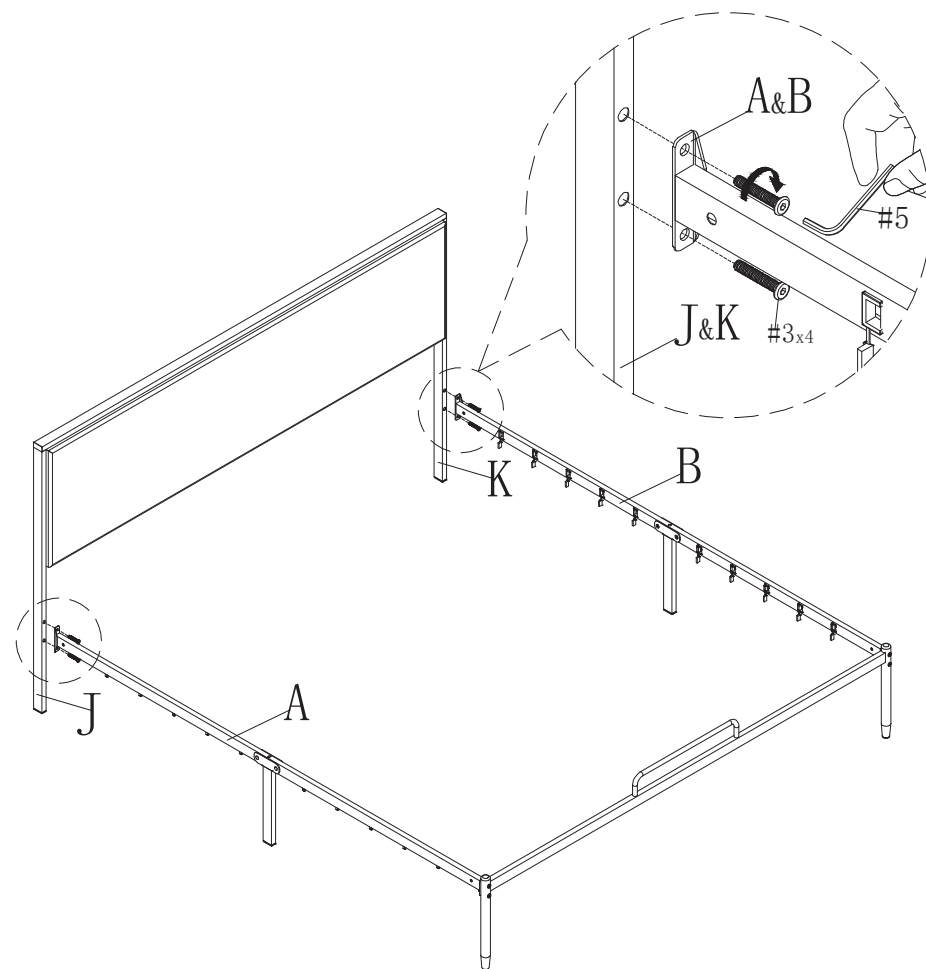
STEP-5

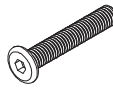
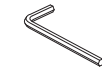


#3	x4	#5	x1
			
M8*45mm		5MM*80L	

ASSEMBLY INSTRUCTIONS

STEP-6



#3	x4	#5	x1
			
M8*45mm		5MM*80L	