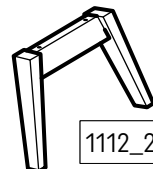
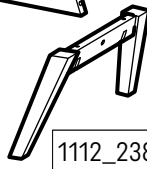
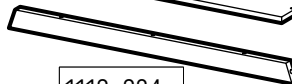
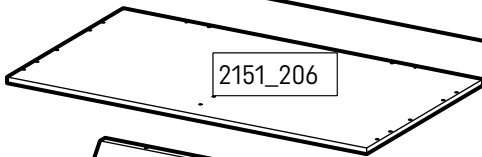
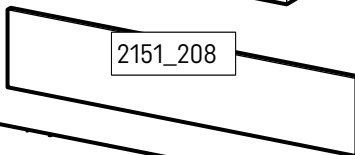
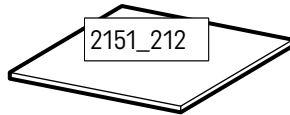
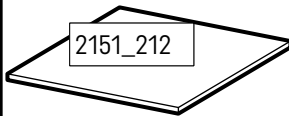
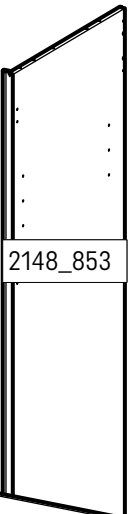
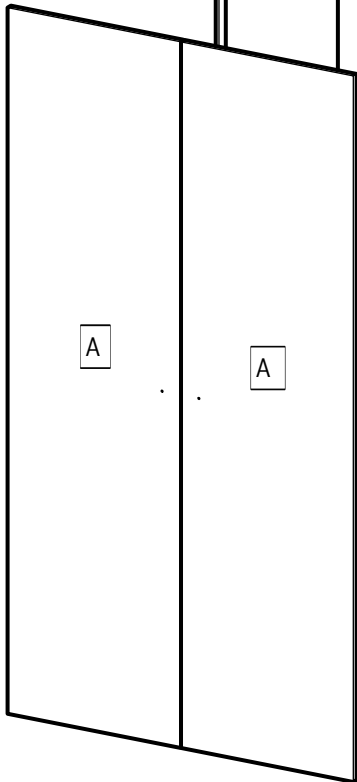
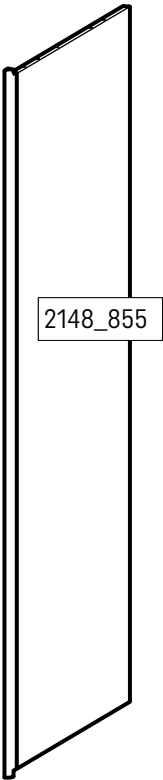
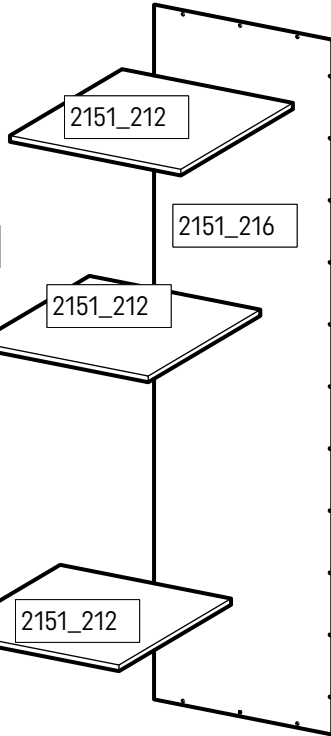
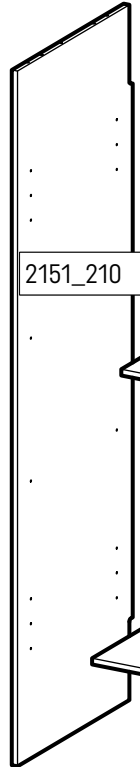
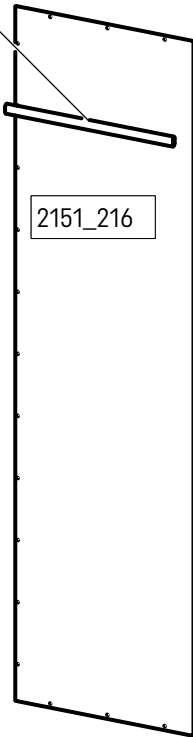


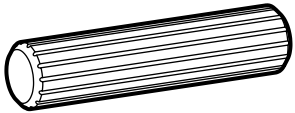
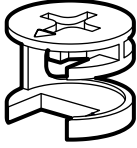
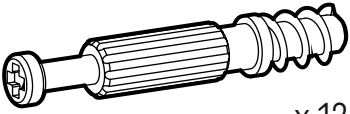
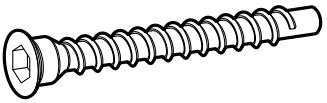
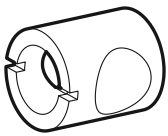
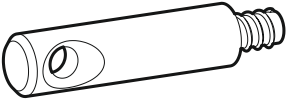
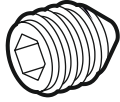
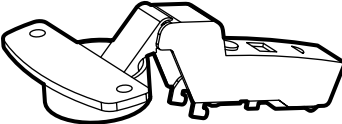

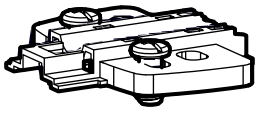
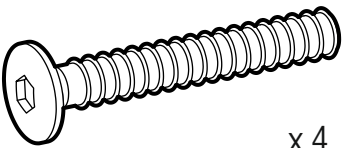
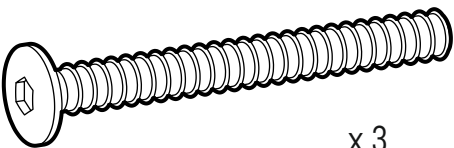
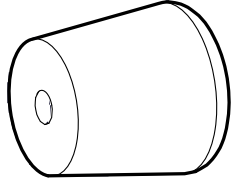
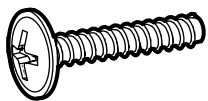
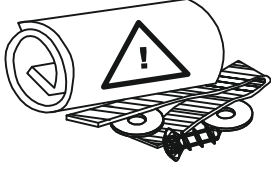

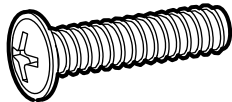
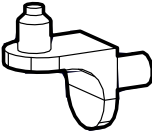

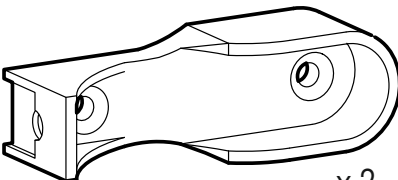
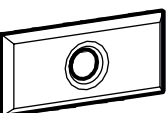
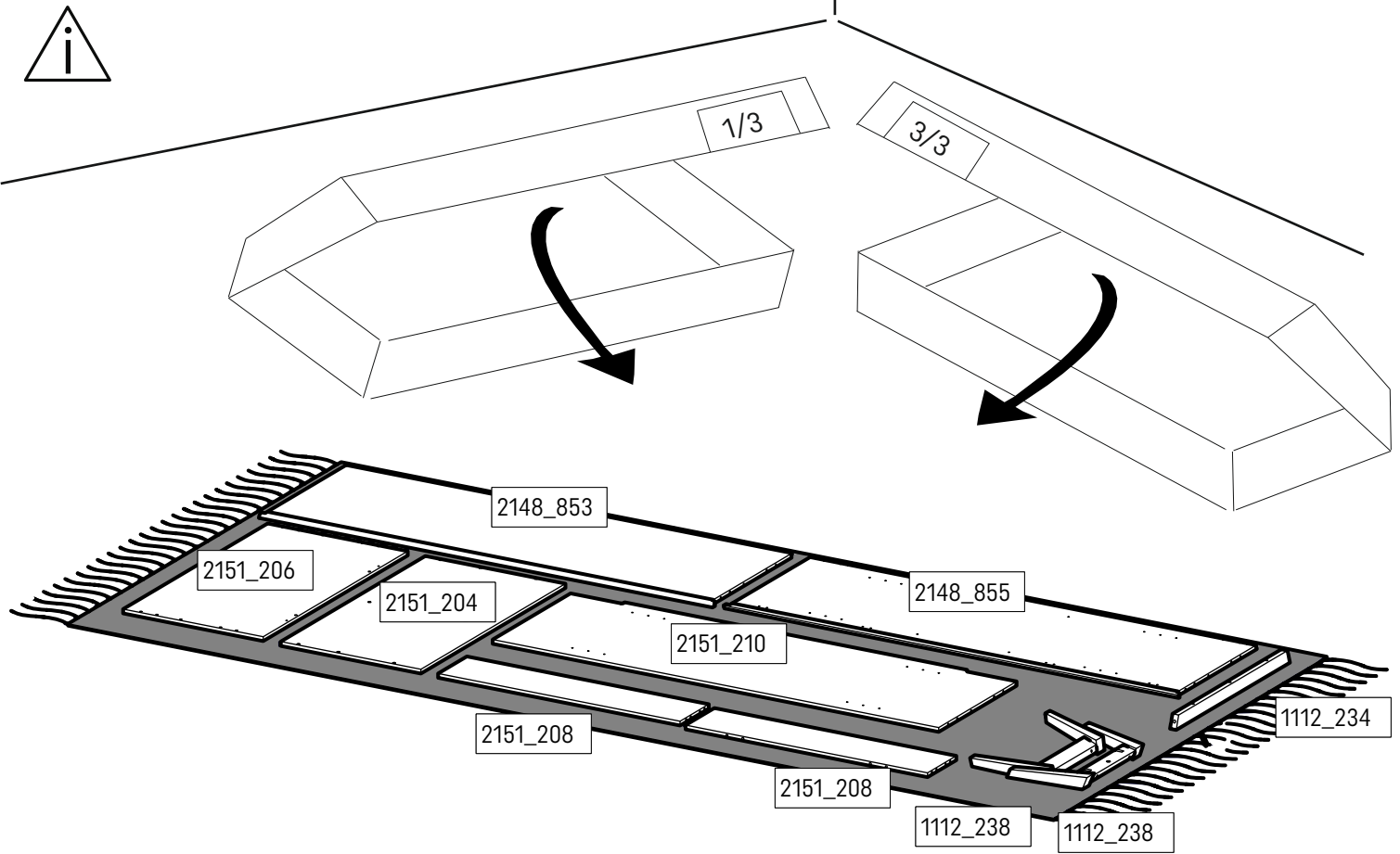


1100_029

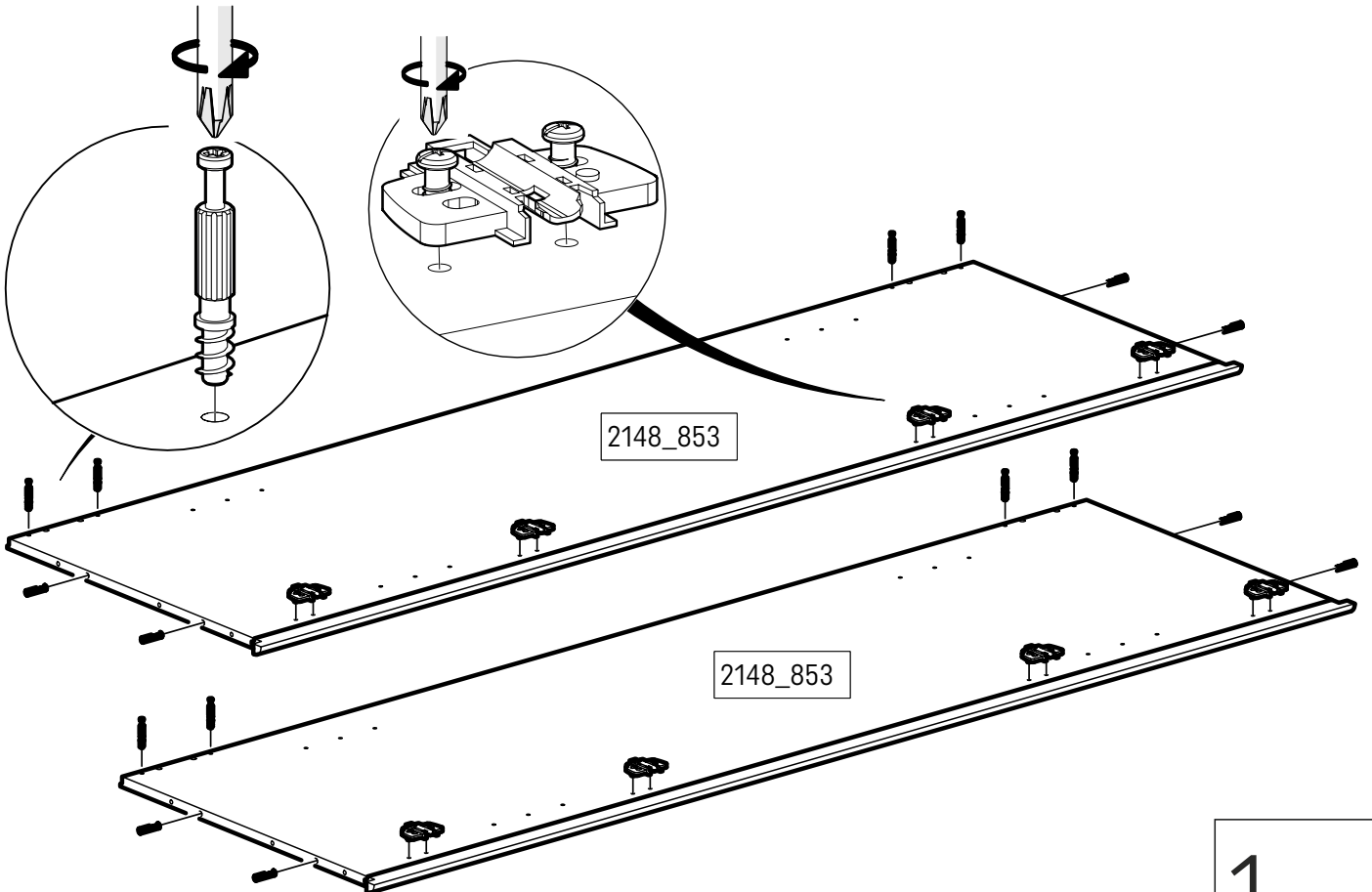
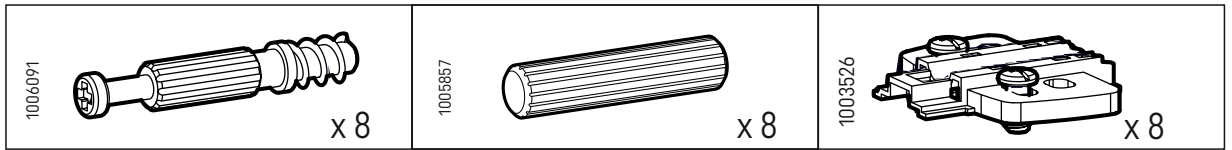


1112_238

<p>1000806</p>  <p>x 1</p>	<p>1111440</p>  <p>x 1</p>	<p>1005857</p>  <p>x 24</p>
<p>1005990</p>  <p>x 12</p>	<p>1006091</p>  <p>x 12</p>	<p>1005876</p>  <p>x 18</p>
<p>1109473</p>  <p>x 2</p>	<p>1107571</p>  <p>x 2</p>	<p>1109474</p>  <p>x 2</p>
<p>1003523</p>  <p>x 8</p>	<p>1112462</p>  <p>x 4</p>	<p>1003526</p>  <p>x 8</p>
<p>1005377</p>  <p>x 4</p>	<p>1005687</p>  <p>x 3</p>	<p>2150437</p>  <p>x 2</p>
<p>1005471</p>  <p>x 2</p>	<p>1000893</p>  <p>x 1</p>	<p>1005681</p>  <p>x 16</p>
<p>1110778</p>  <p>x 2</p>	<p>1001262</p>  <p>x 24</p>	<p>1006012</p>  <p>x 43</p>
<p>1000225</p>  <p>x 2</p>	<p>1000242</p>  <p>x 11</p>	

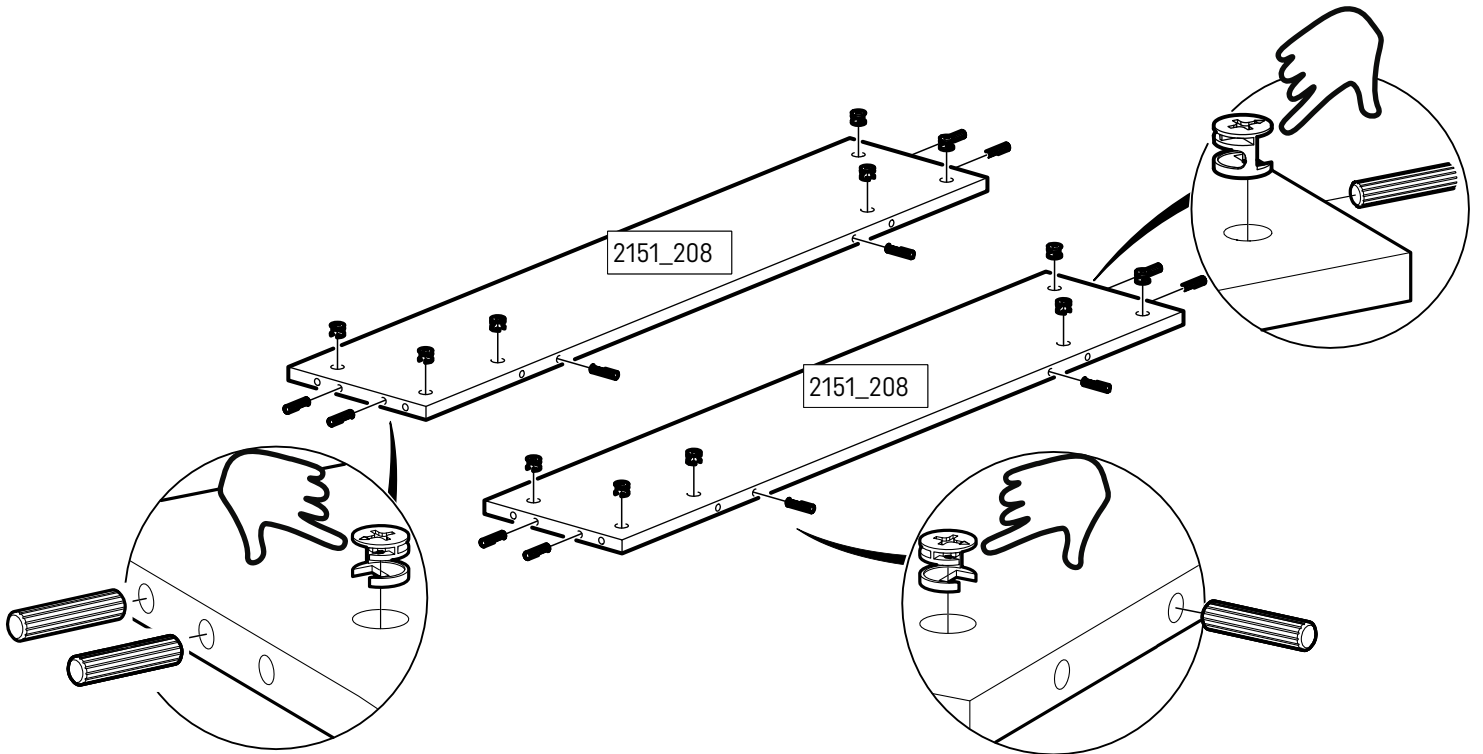
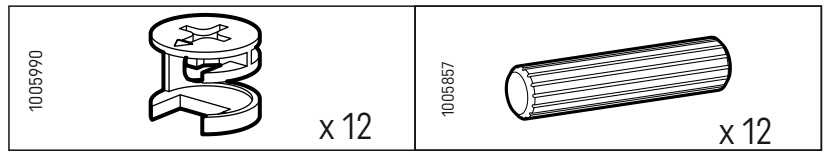


1

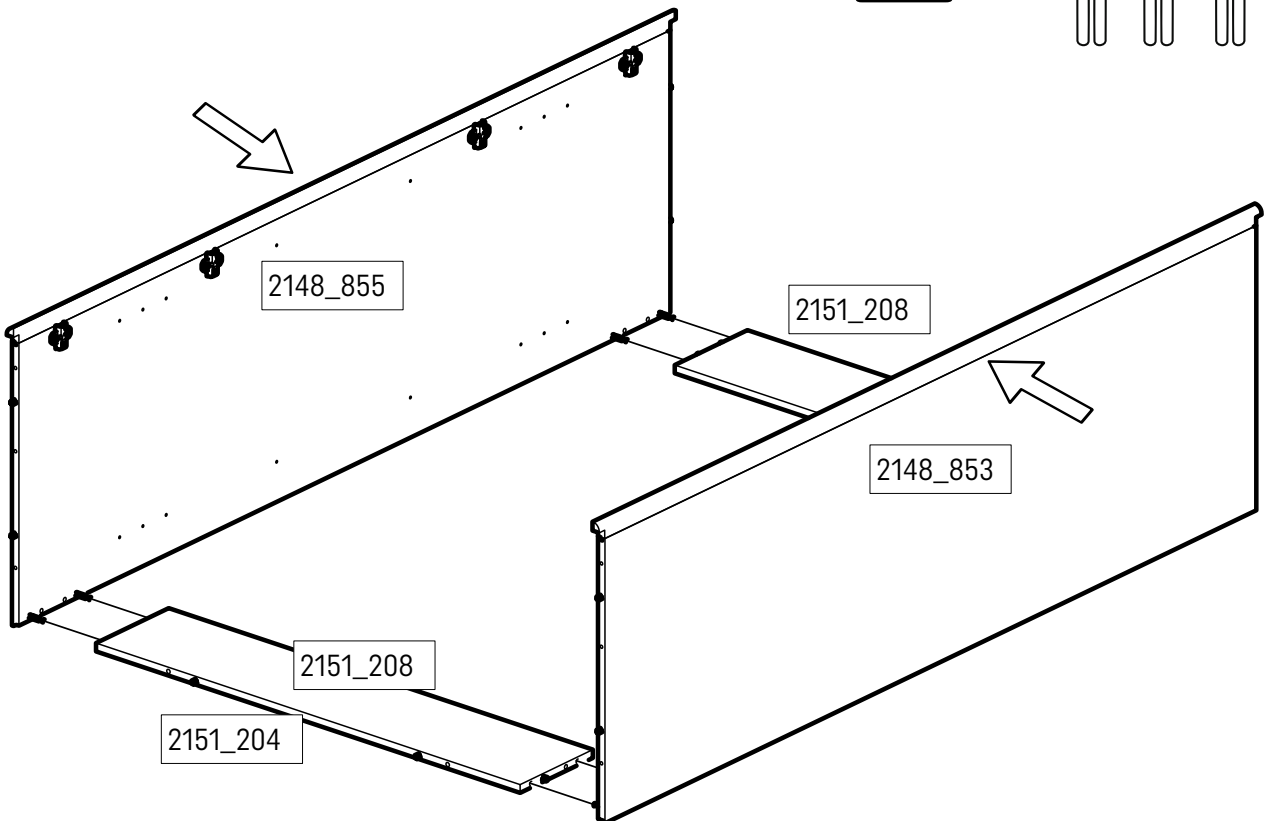
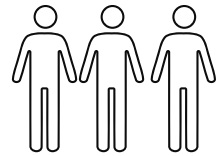


1

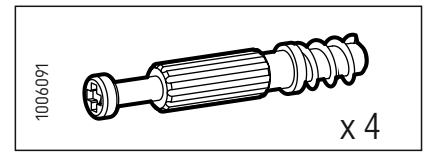
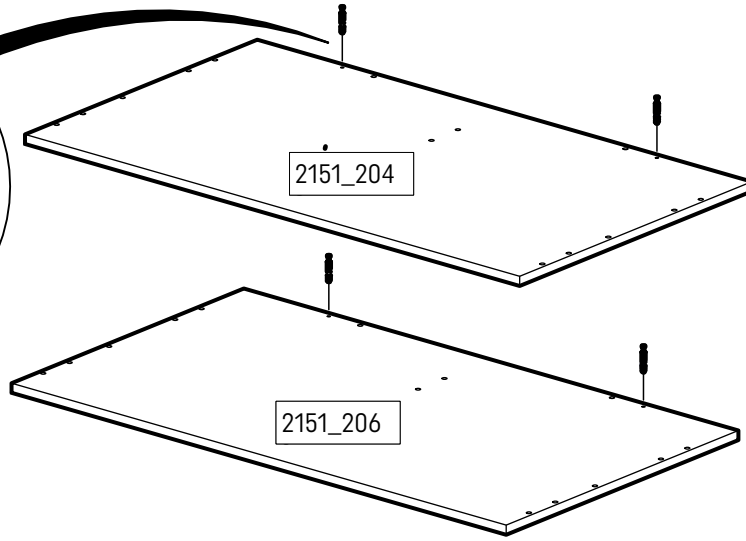
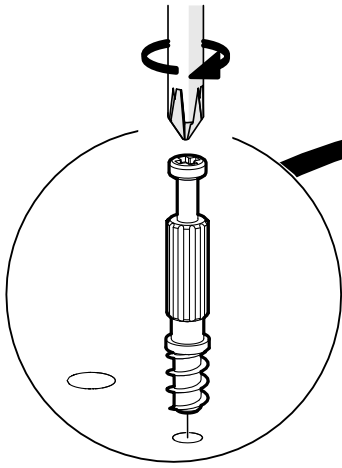
2



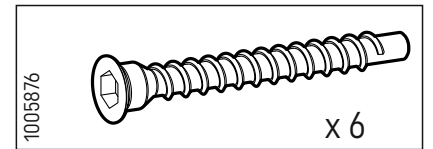
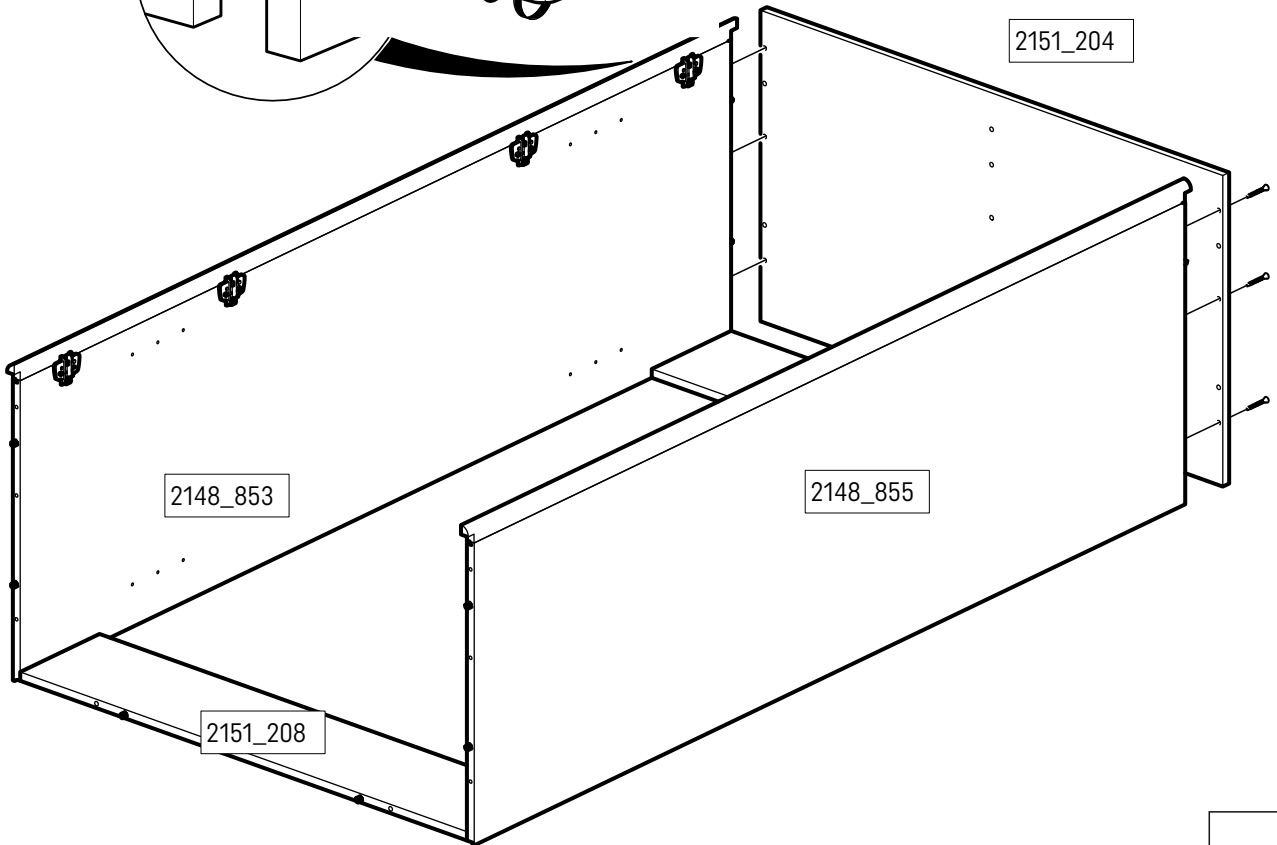
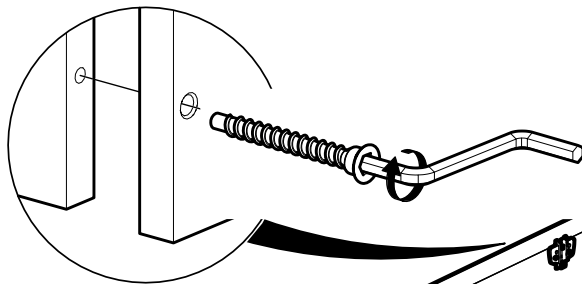
3



4

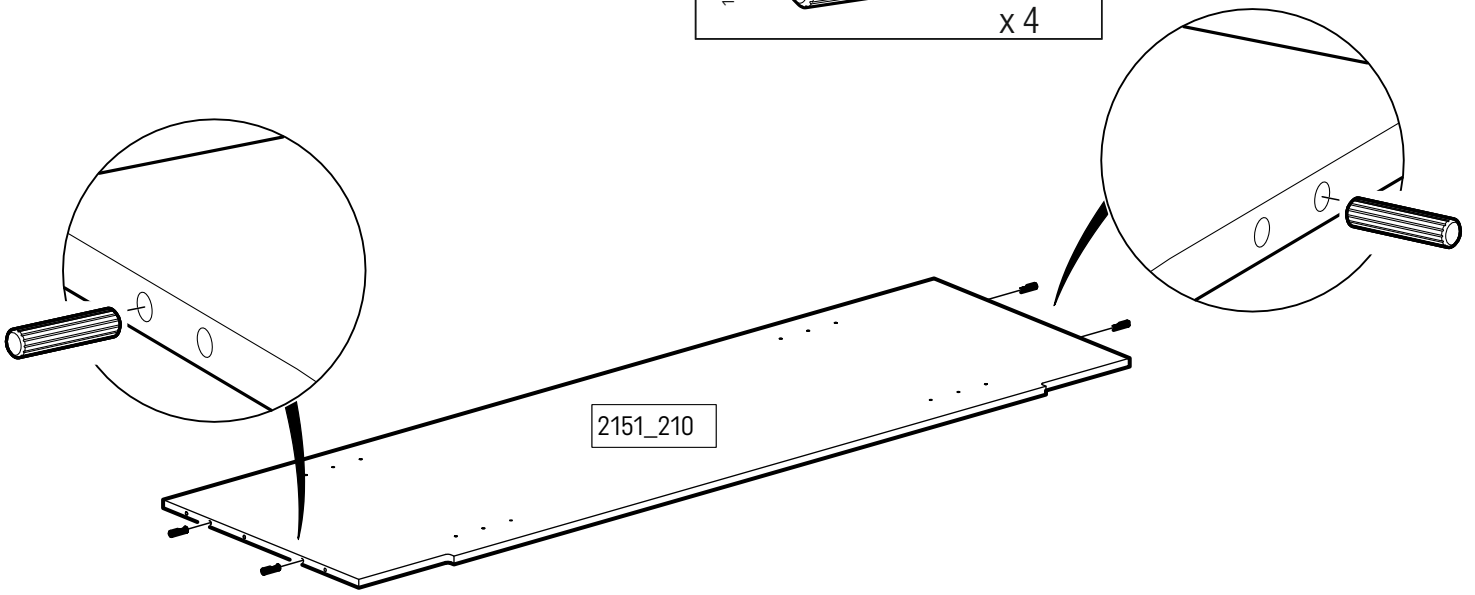
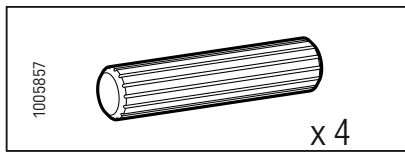


5

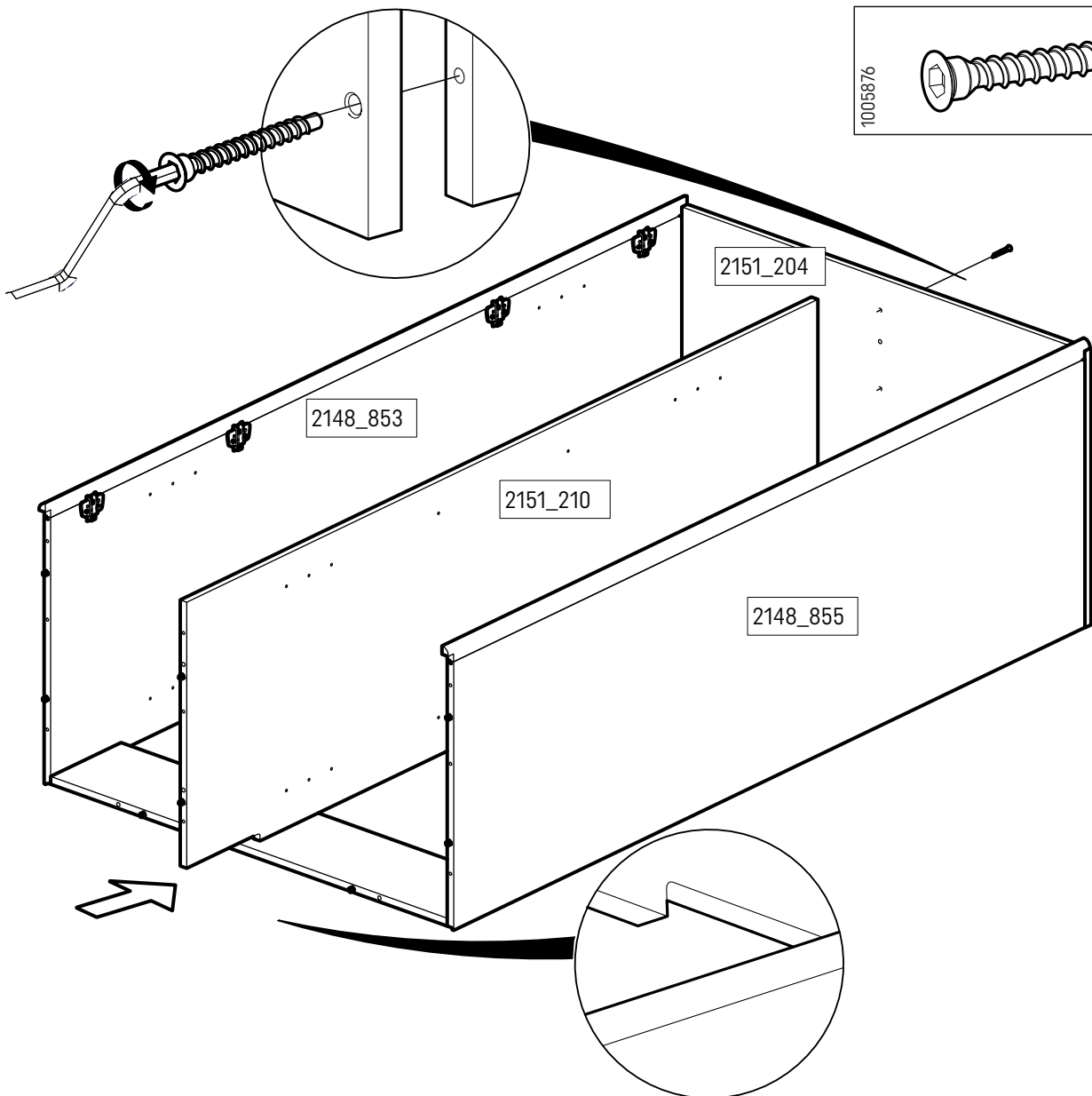
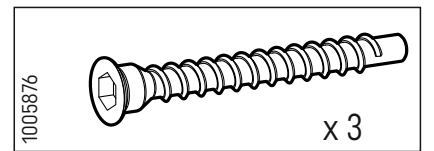


3

6

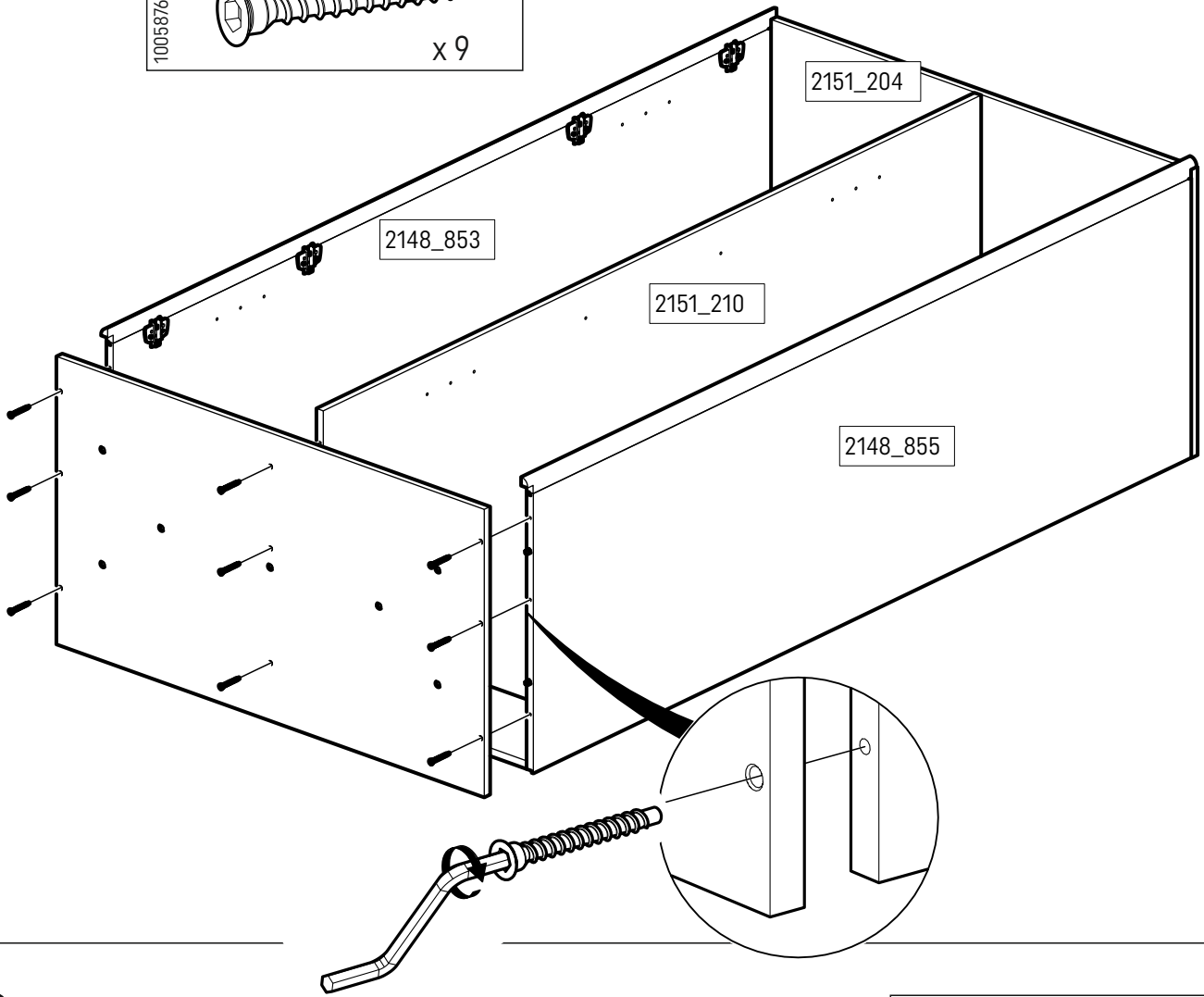
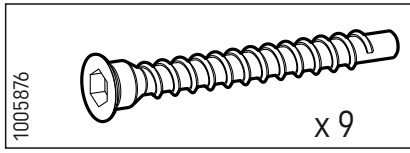


7

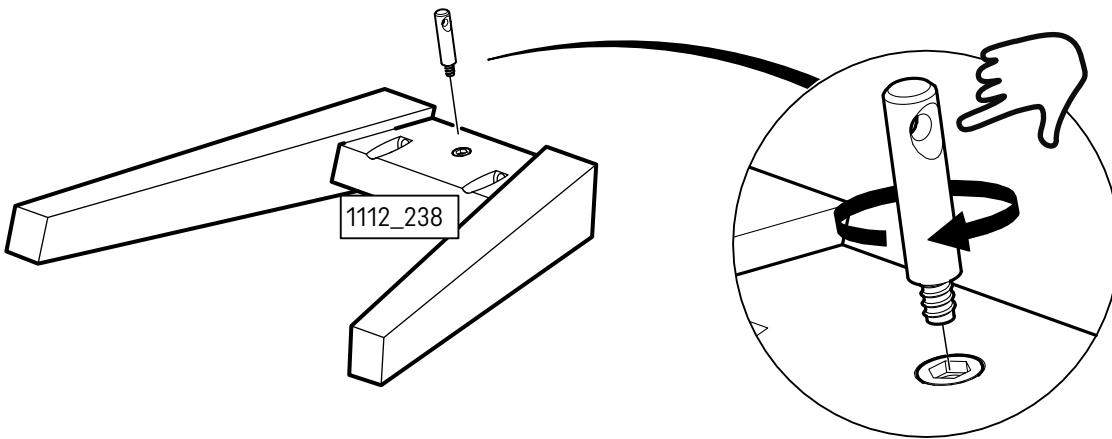
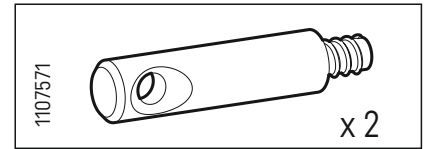


4

8



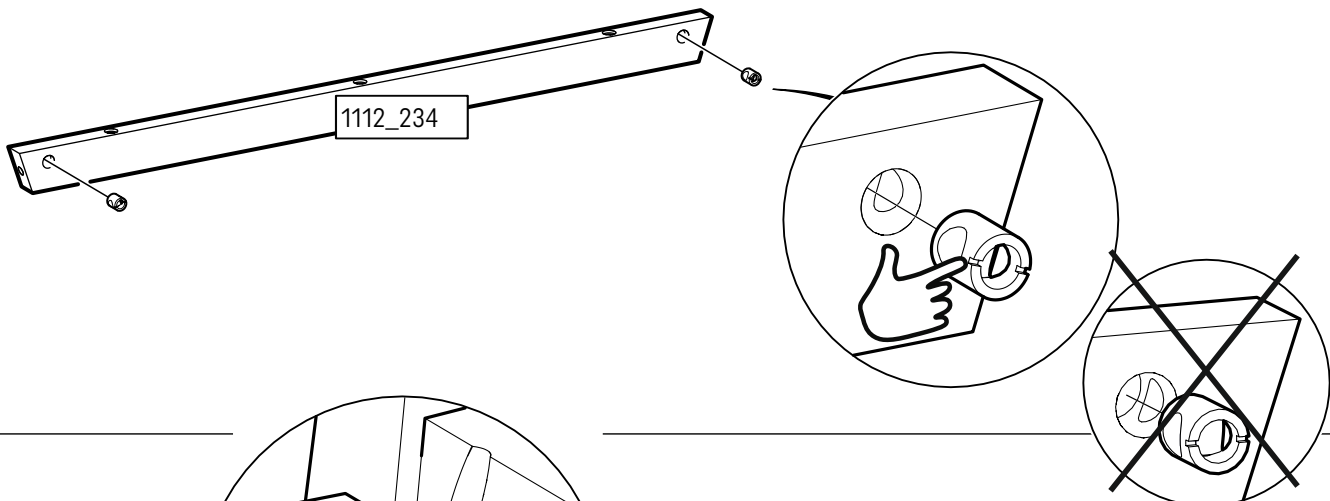
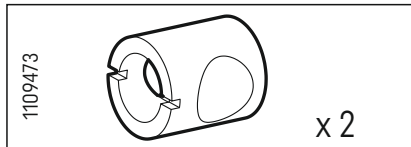
9



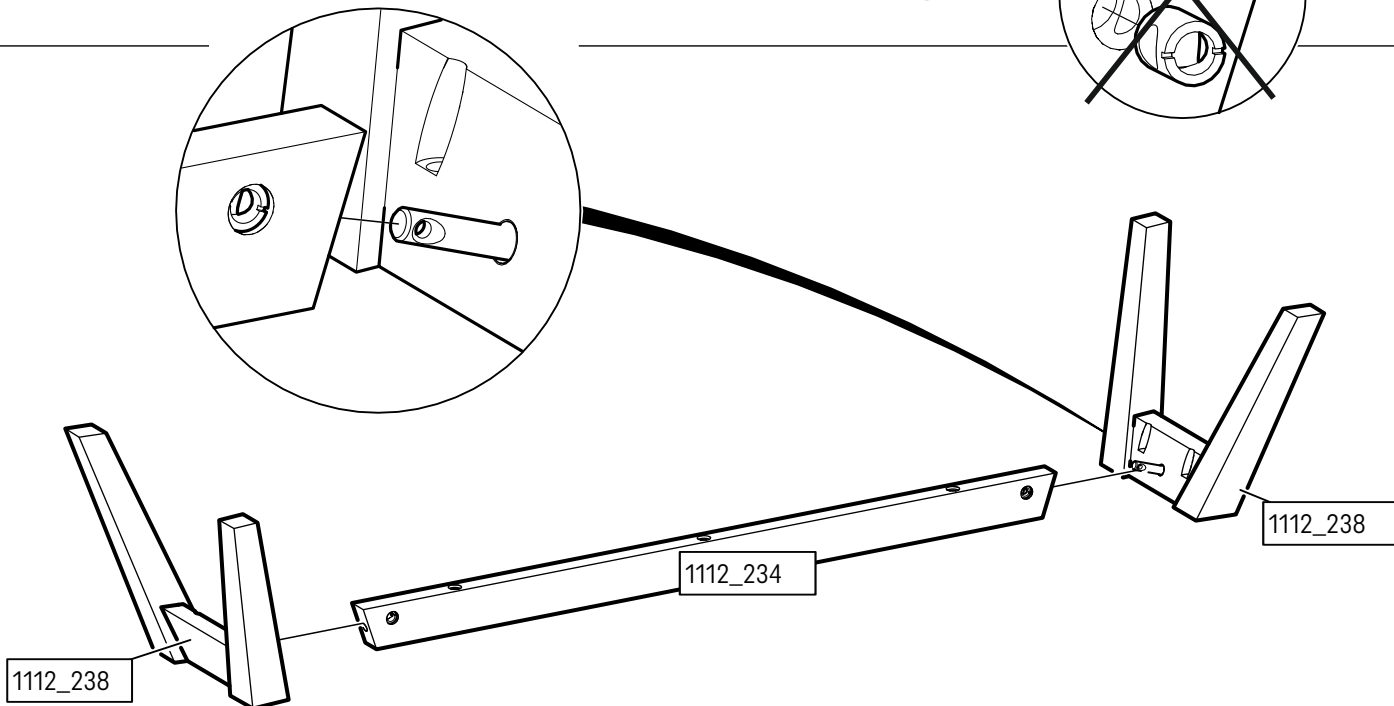
x 2

5

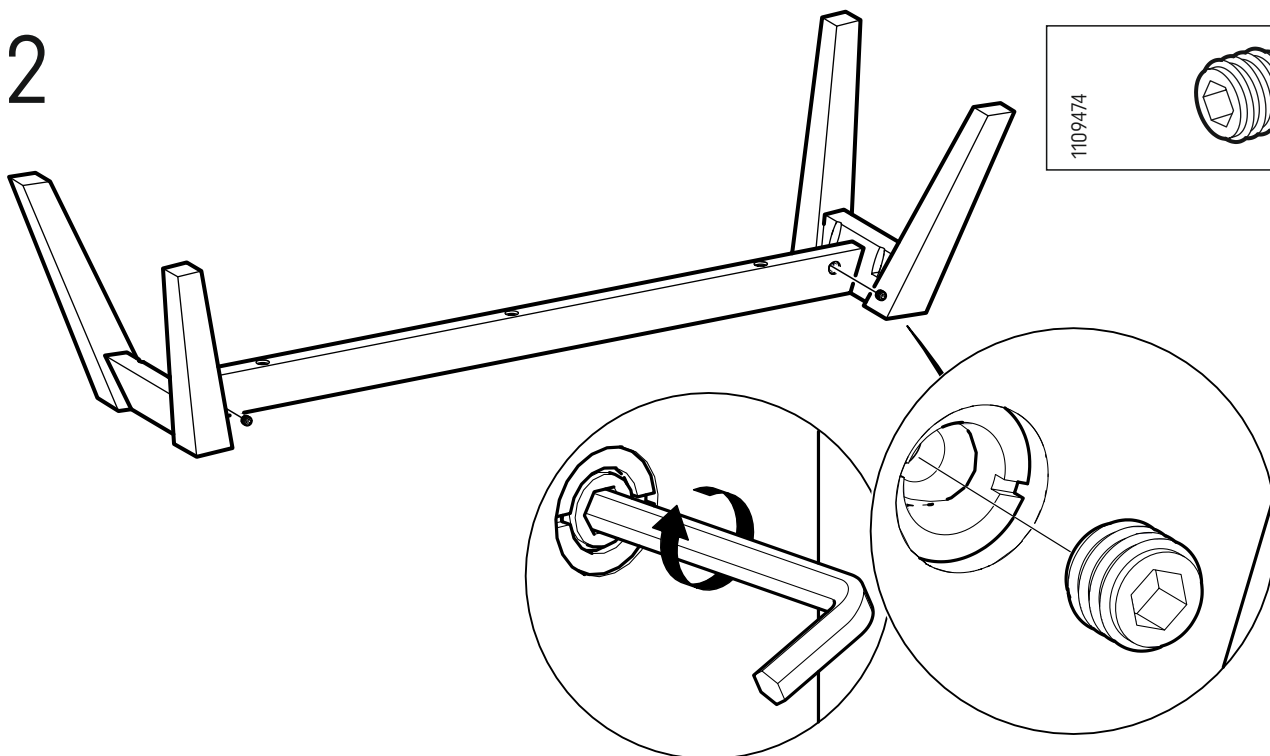
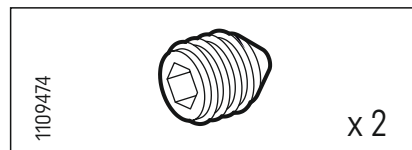
10



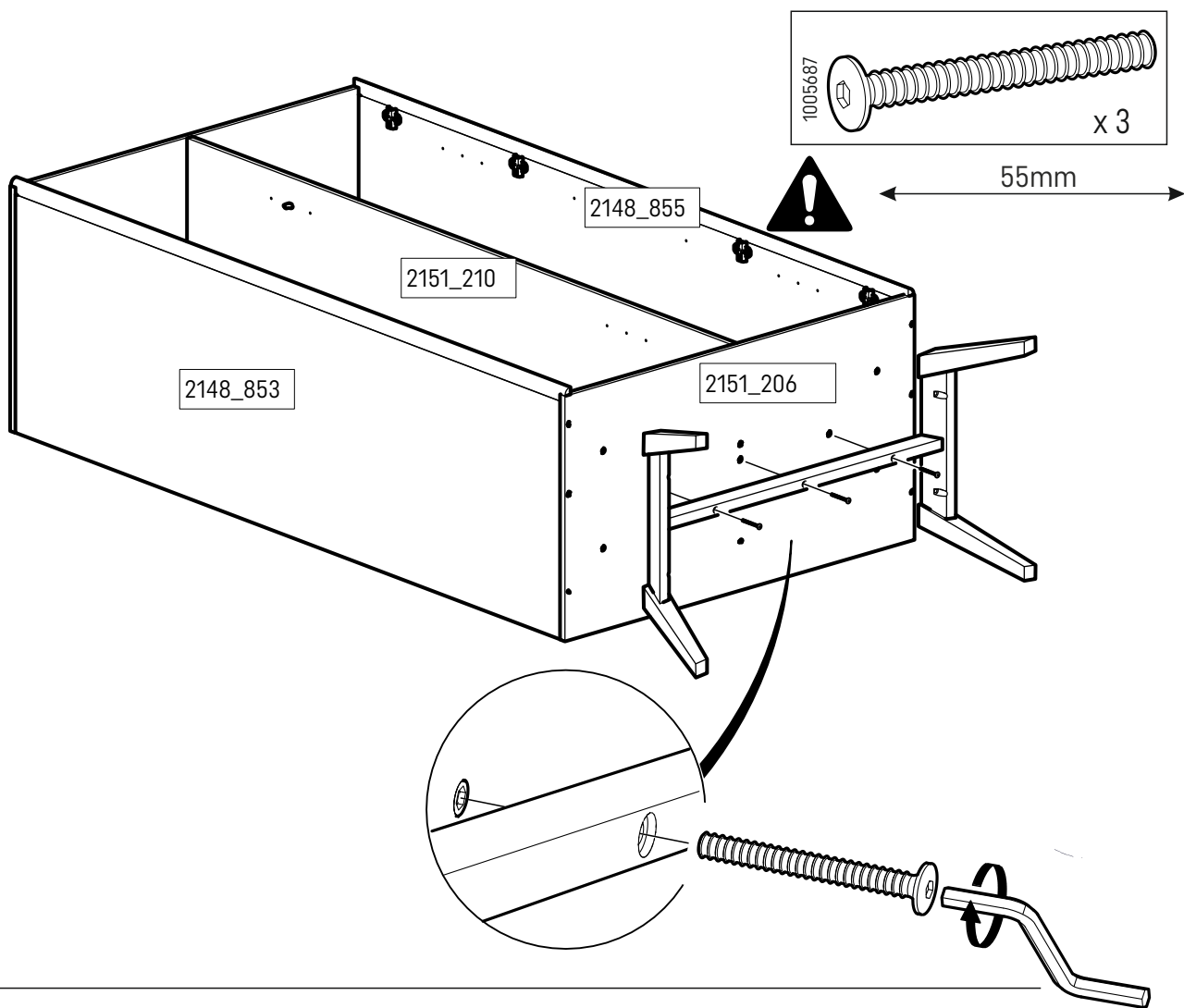
11



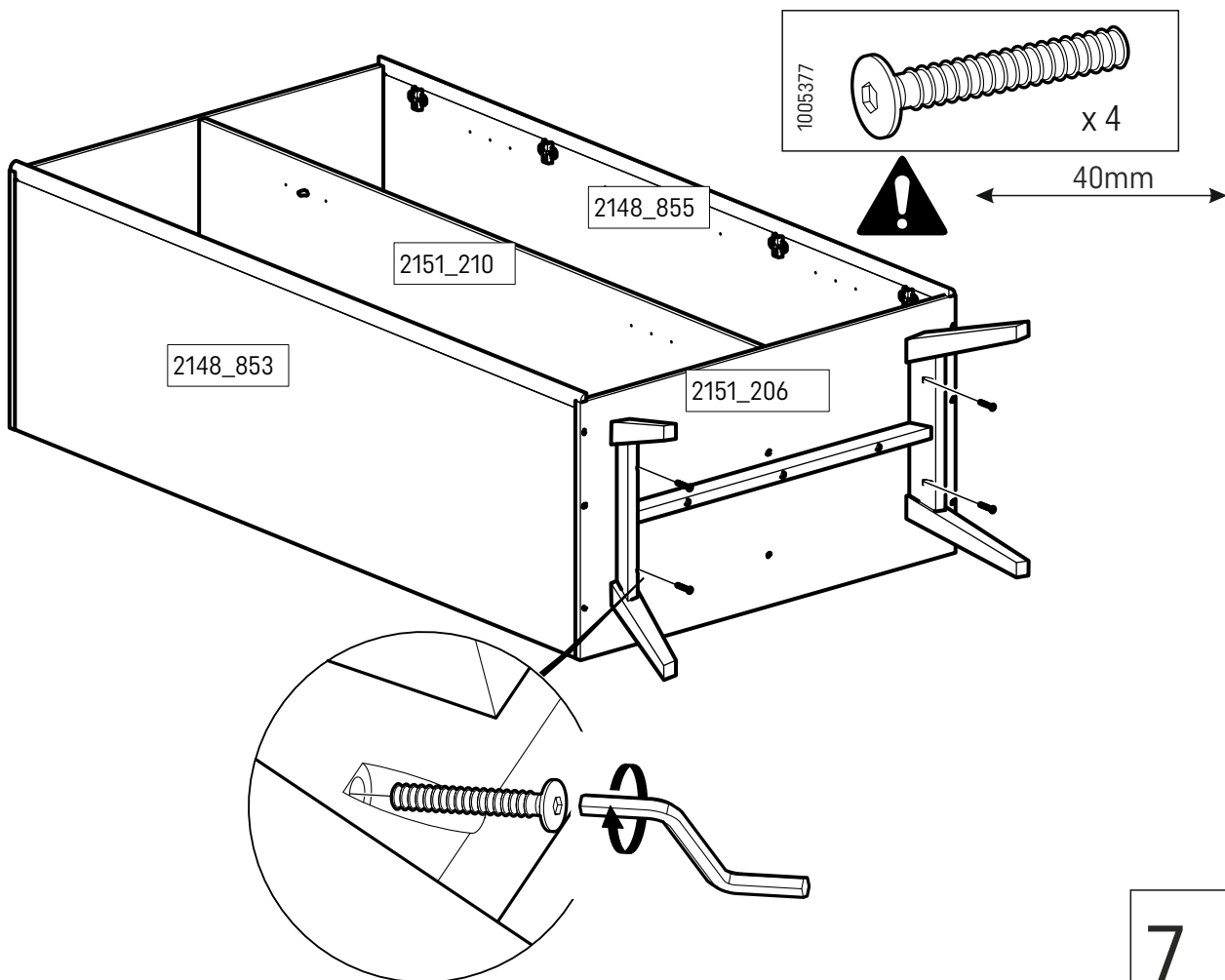
12



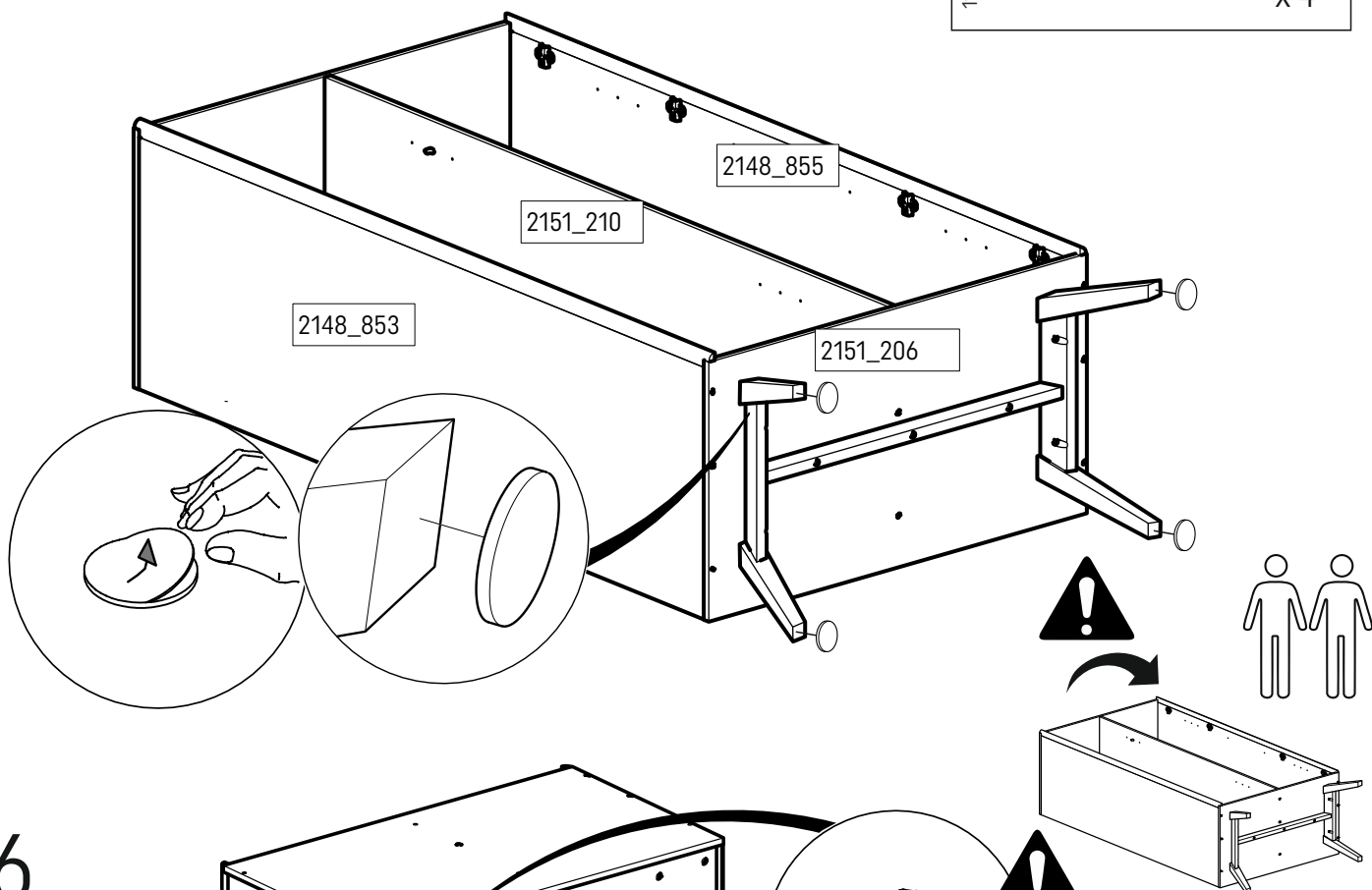
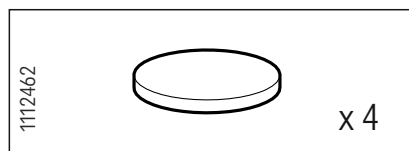
13



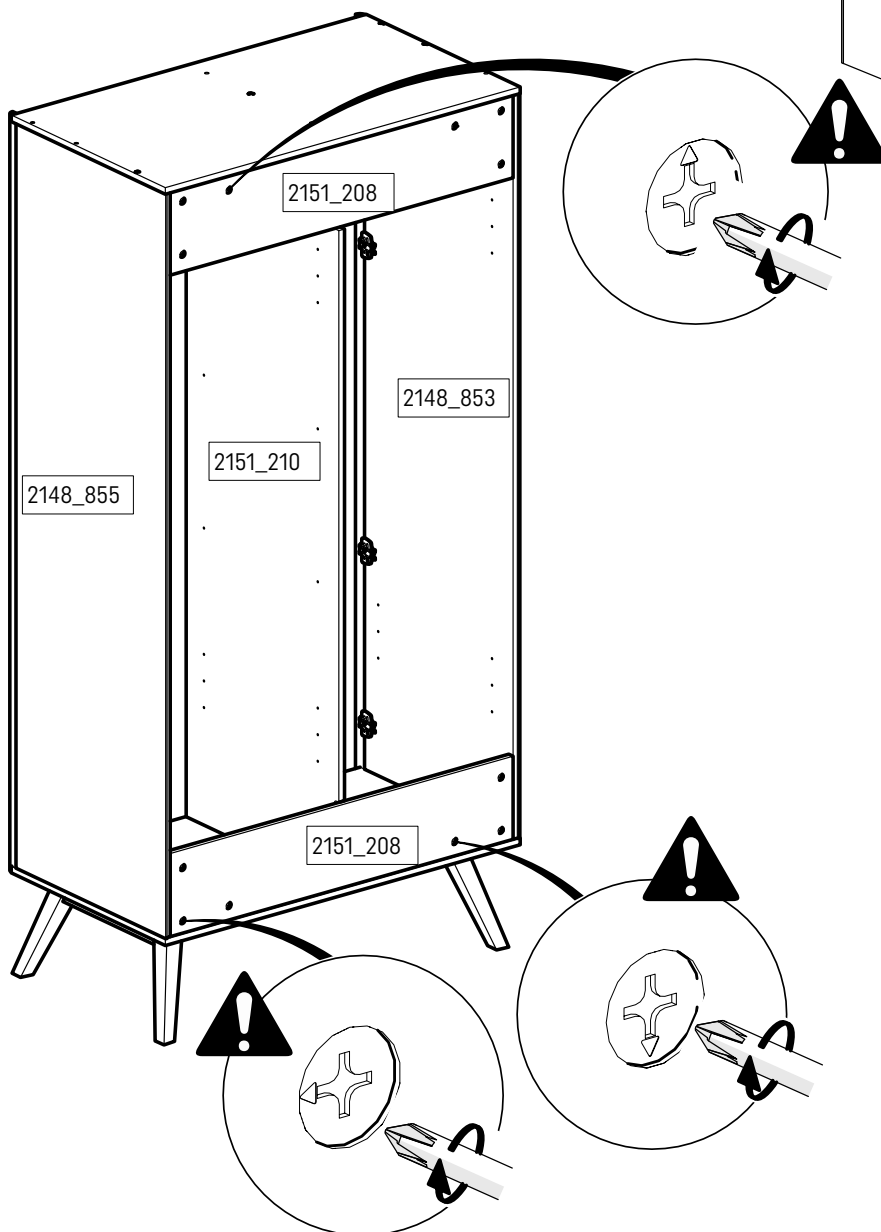
14

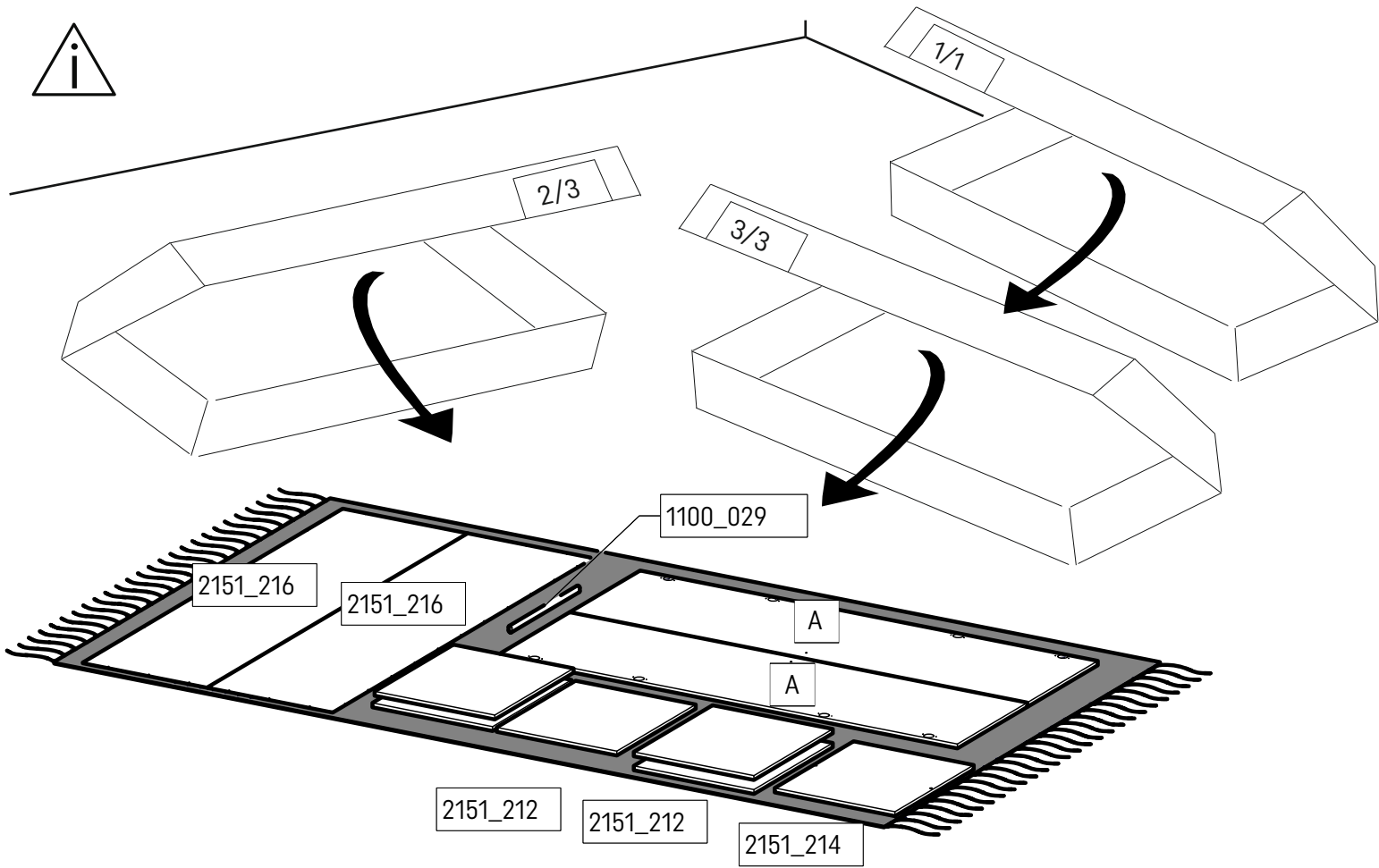


15

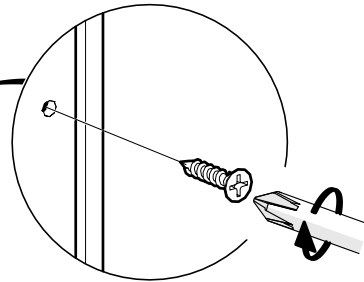
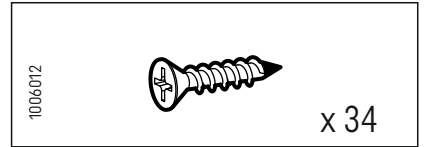
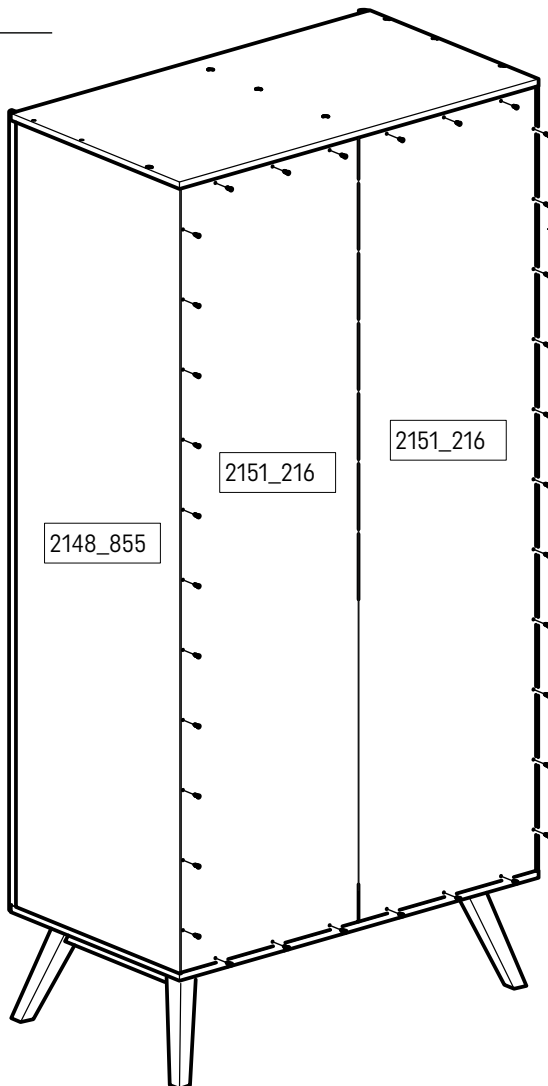


16

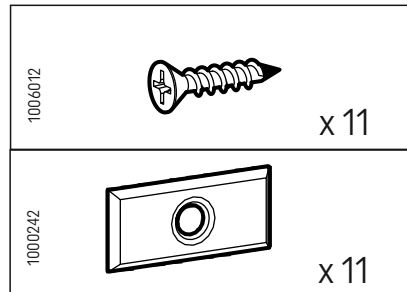
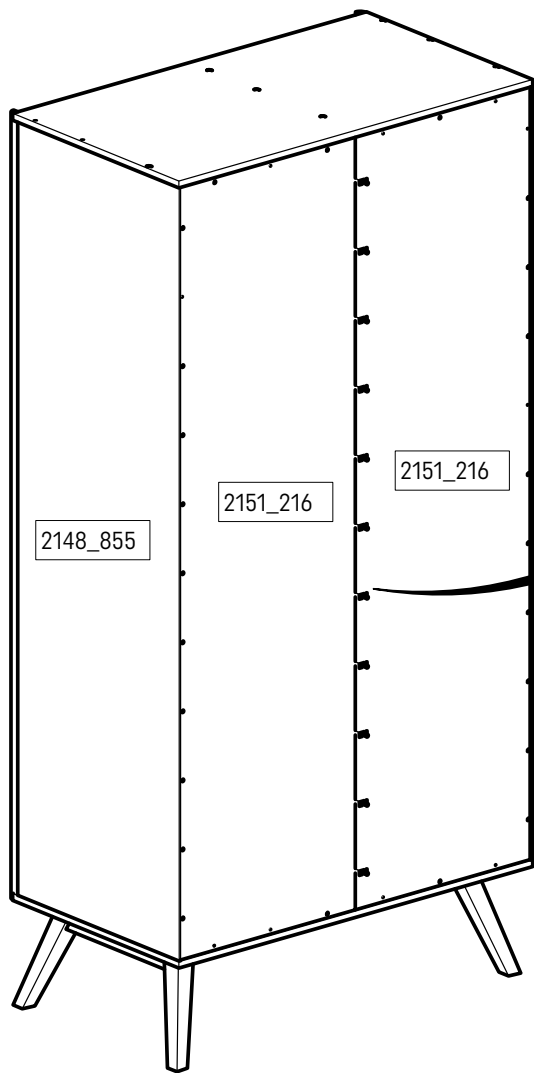




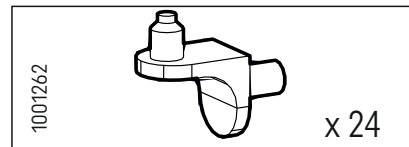
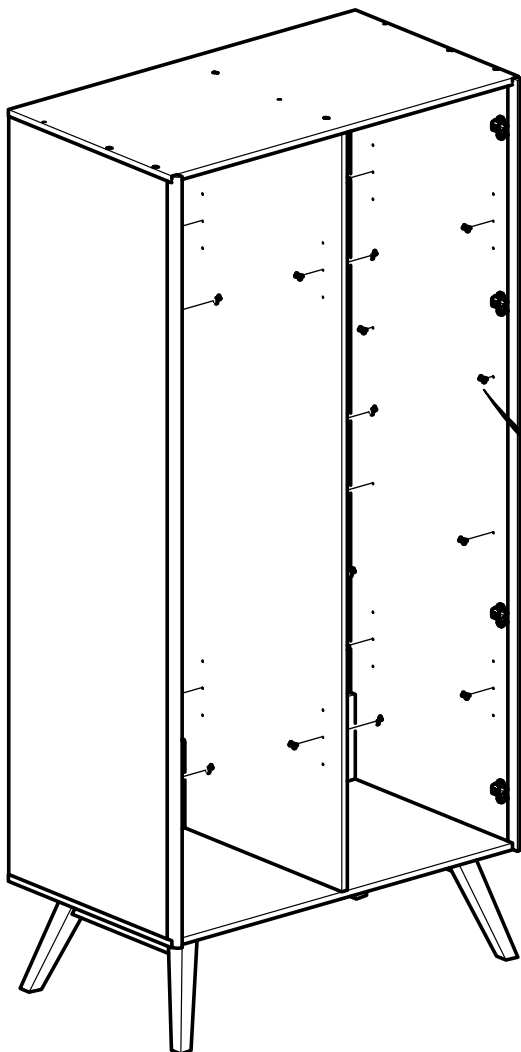
17



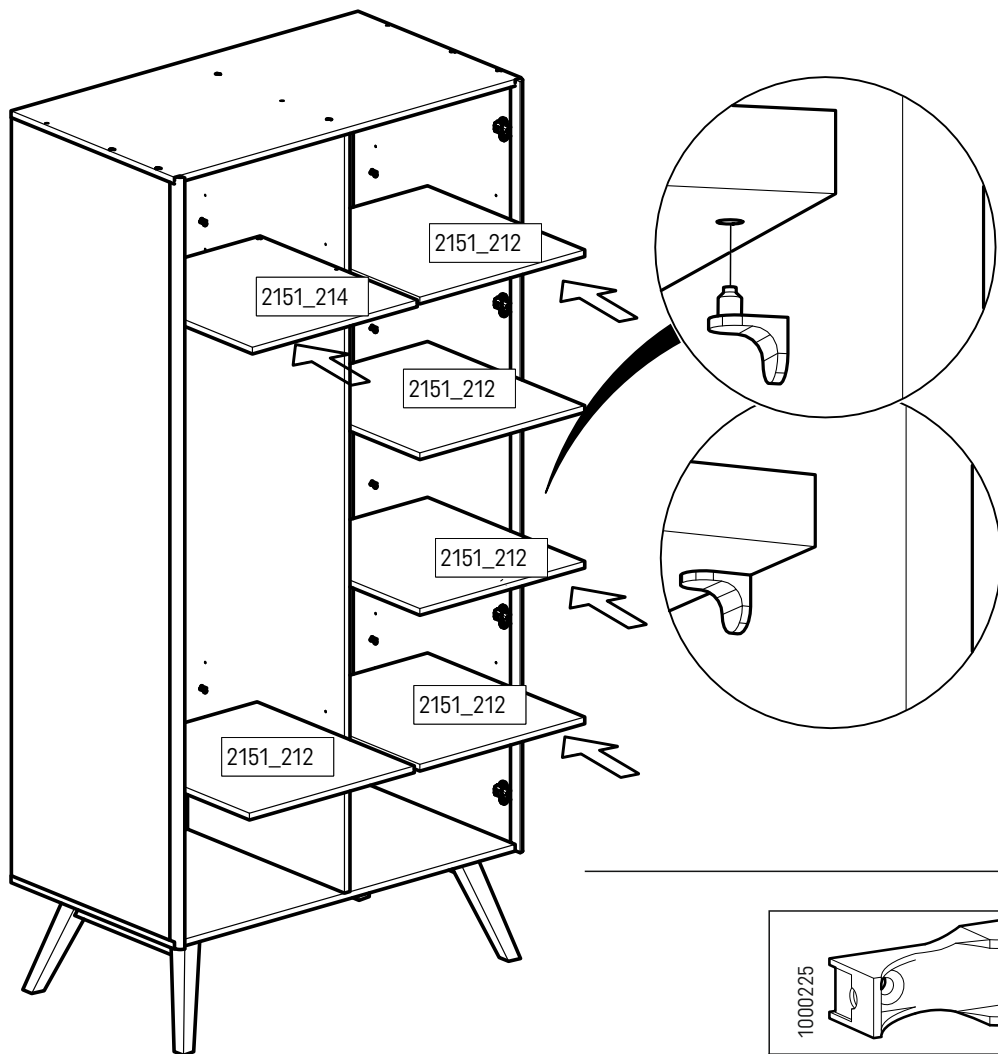
18



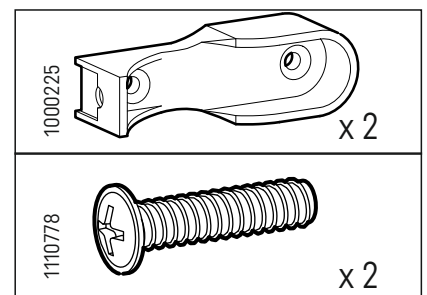
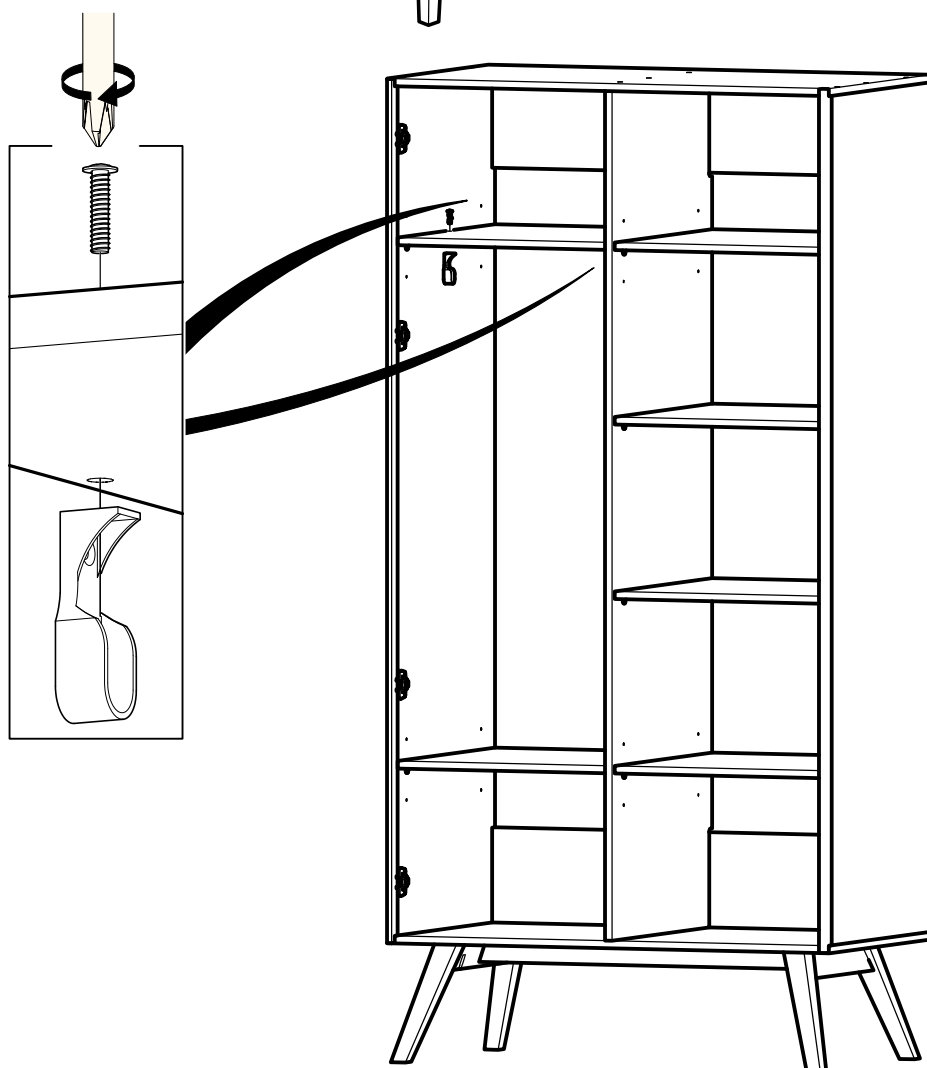
19



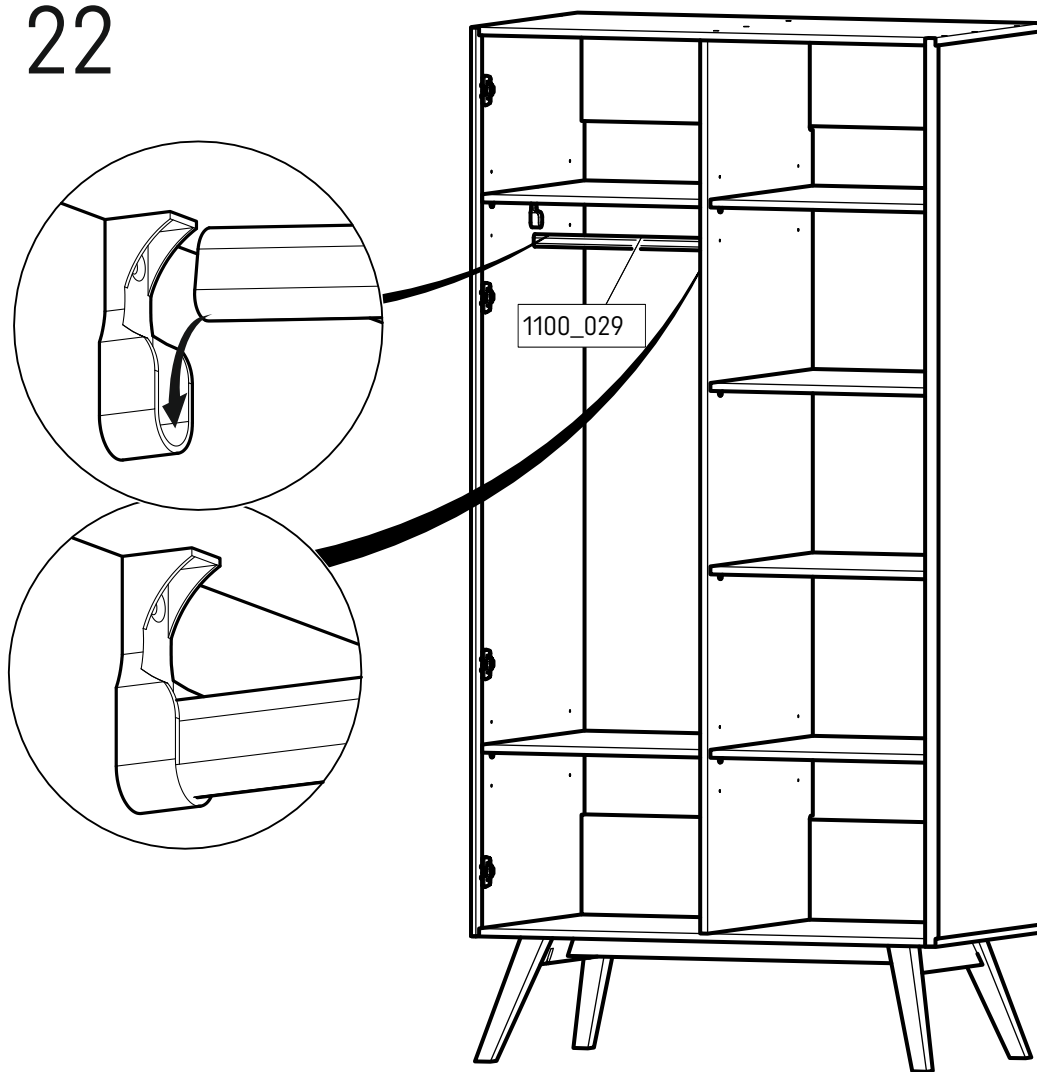
20



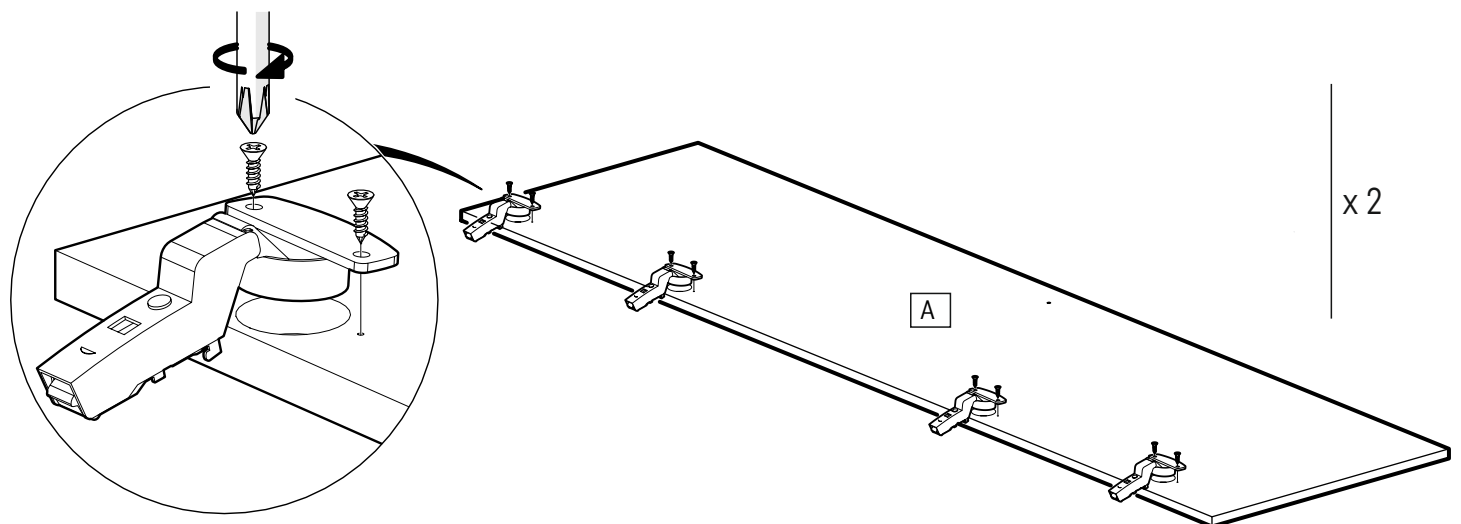
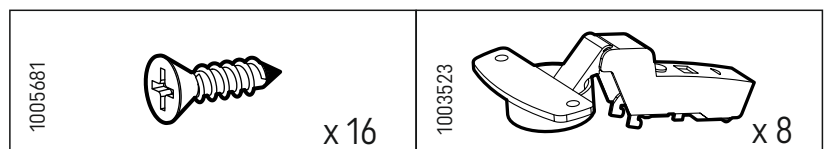
21

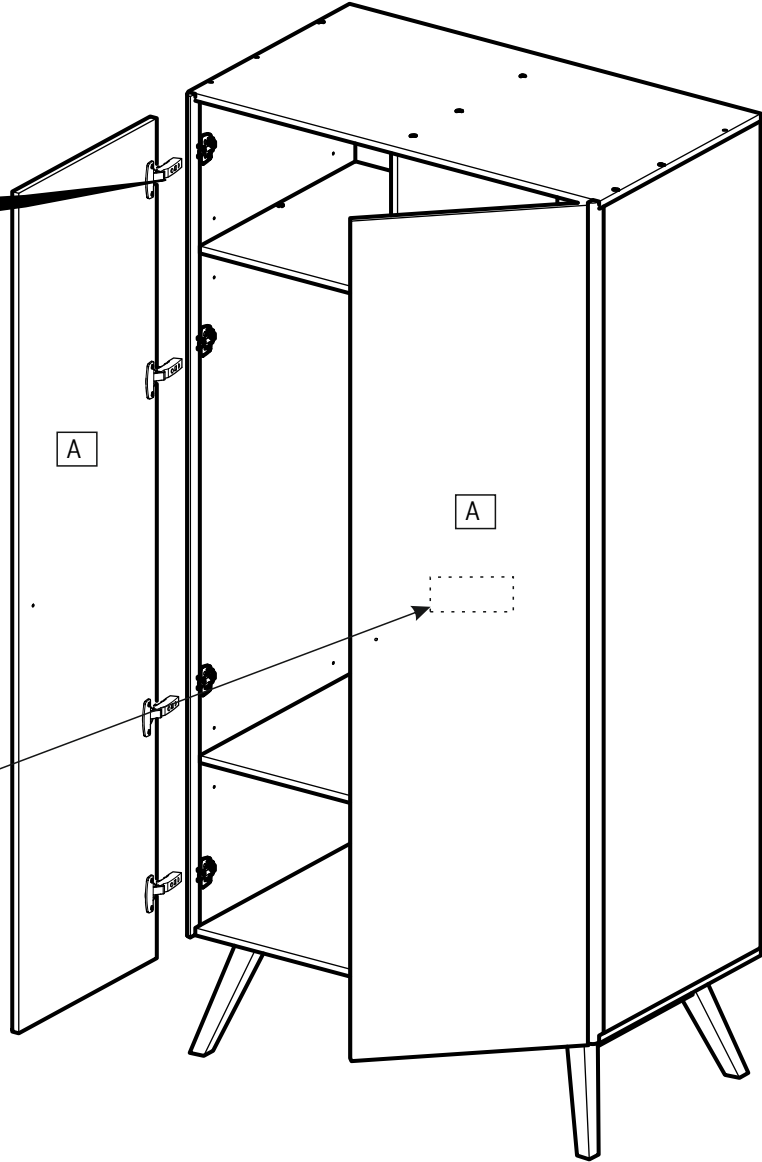
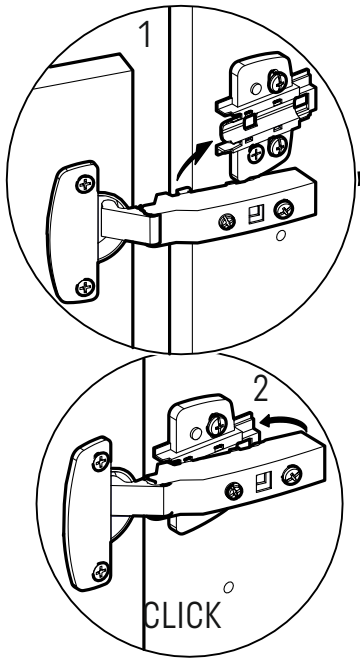


22

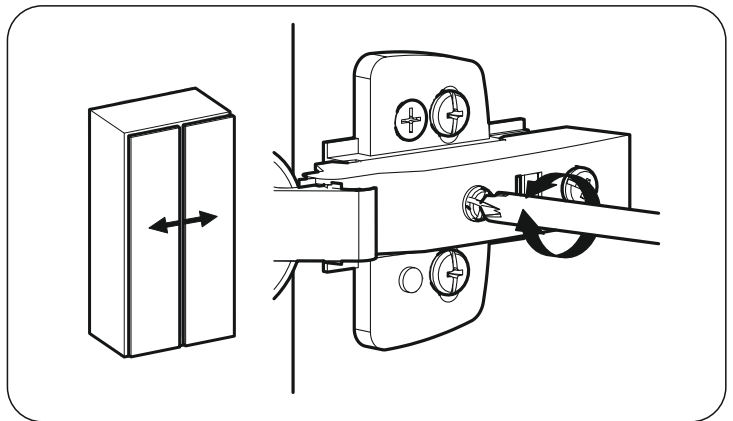
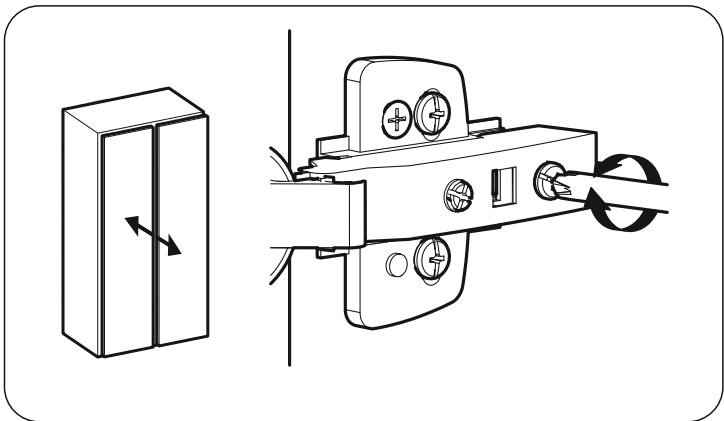
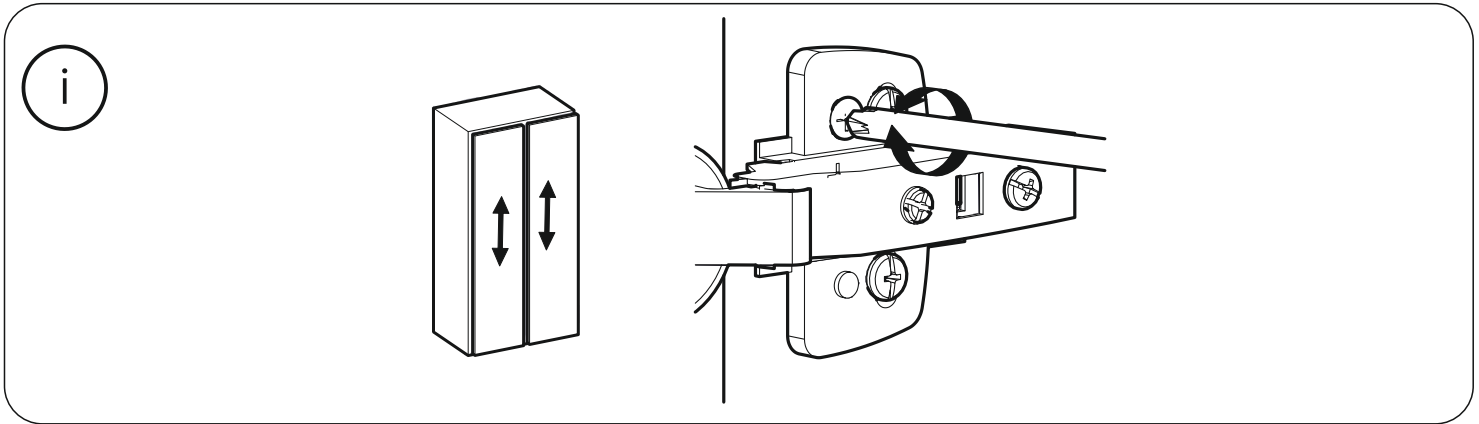


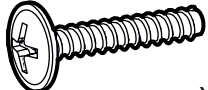
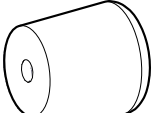
23

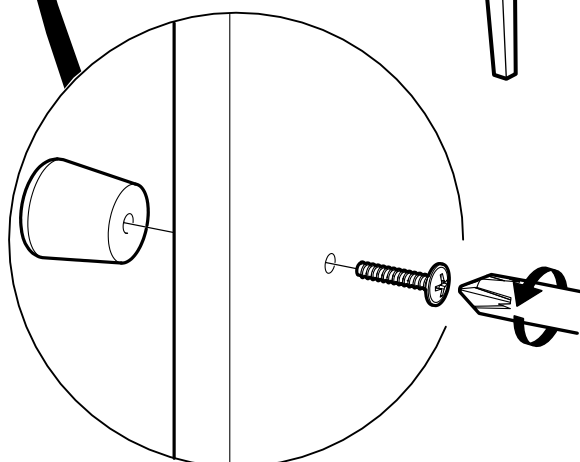
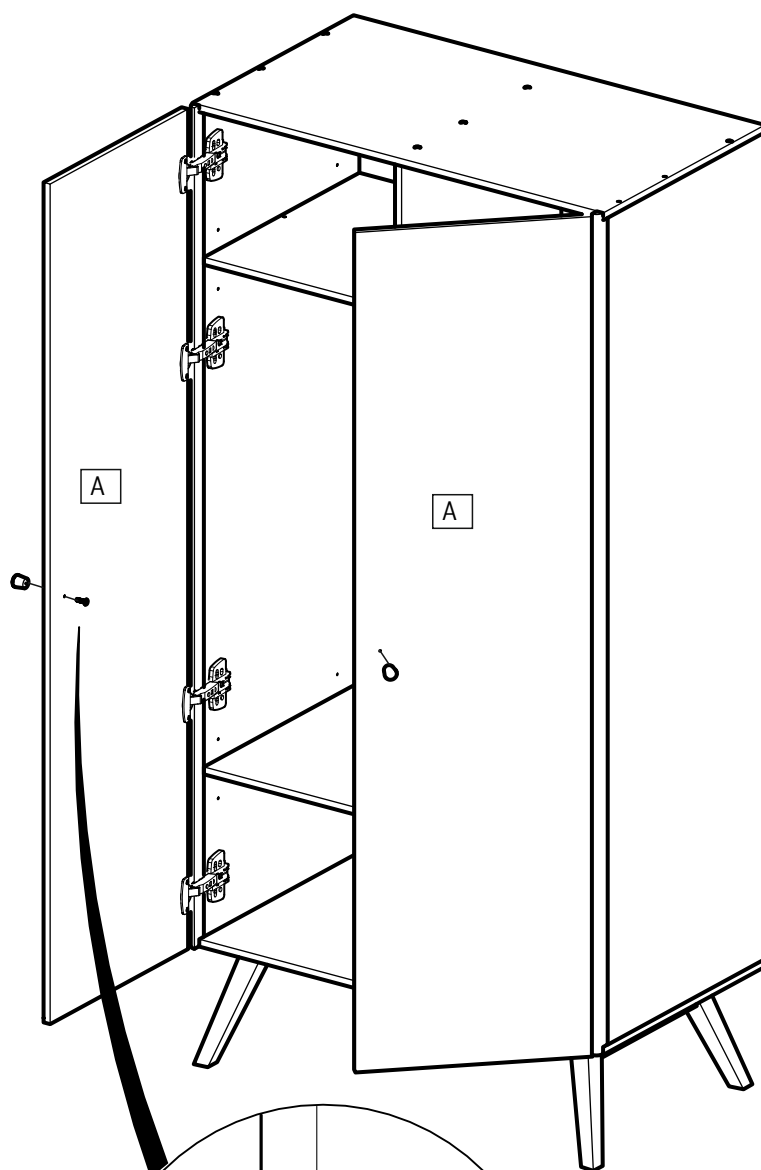




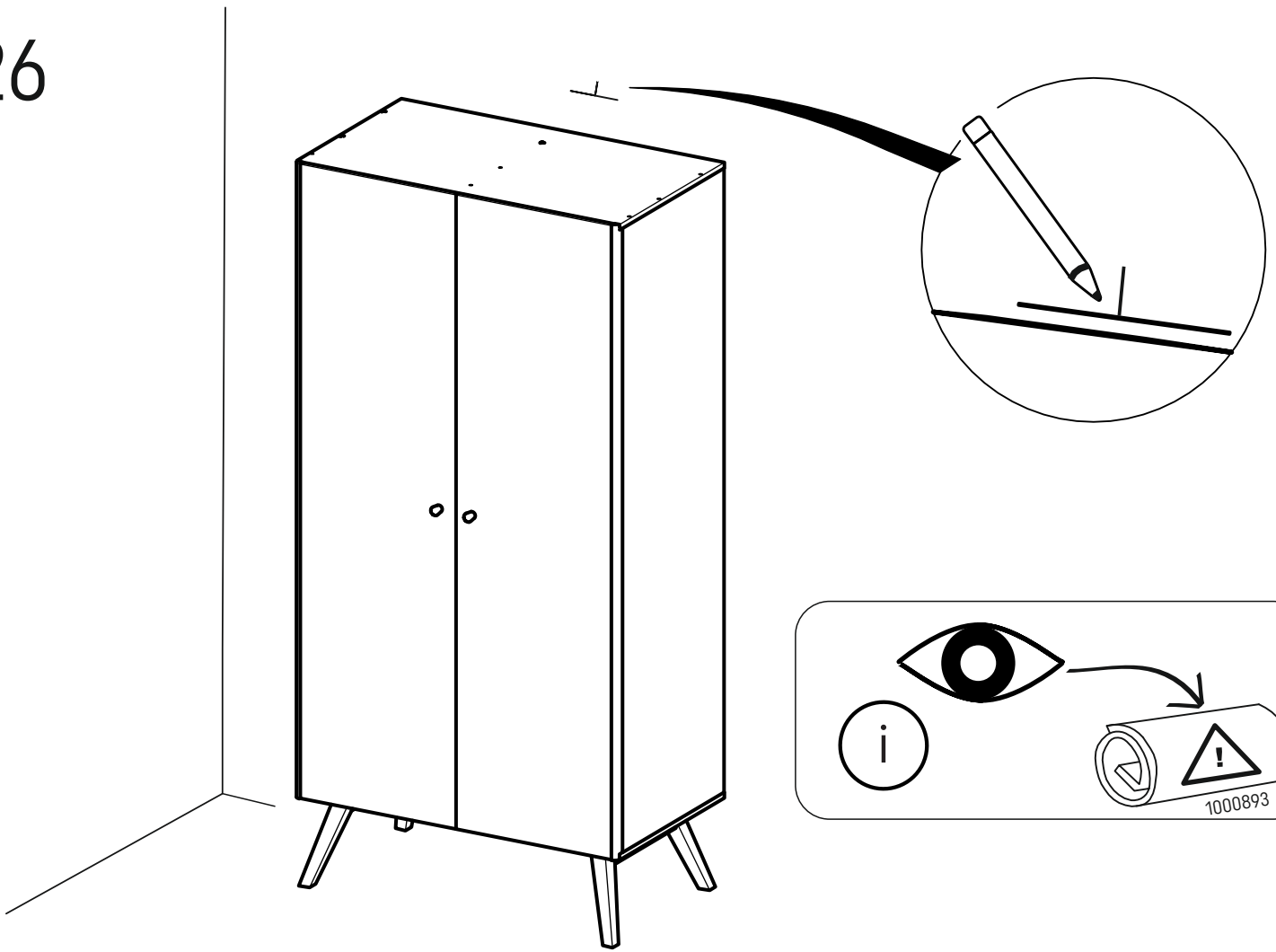
WARNING	
<p>Serious or fatal crushing injuries can occur from furniture tip-over. To help prevent tip-over:</p> <ul style="list-style-type: none"> - Install tipover restraint provided. - Place heaviest items in the lower drawers. - Unless specifically designed to accommodate, do not set TVs or other heavy objects on top of this product. - Never allow children to climb or hang on drawers, doors or shelves. - Never open more than one drawer at a time. (OR) - Do not defeat or remove the drawer interlock system. - Use of tip-over restraints may only reduce, but not eliminate, the risk of tip-over. <p><small>This is a permanent seal. Do not attempt to remove.</small></p>	



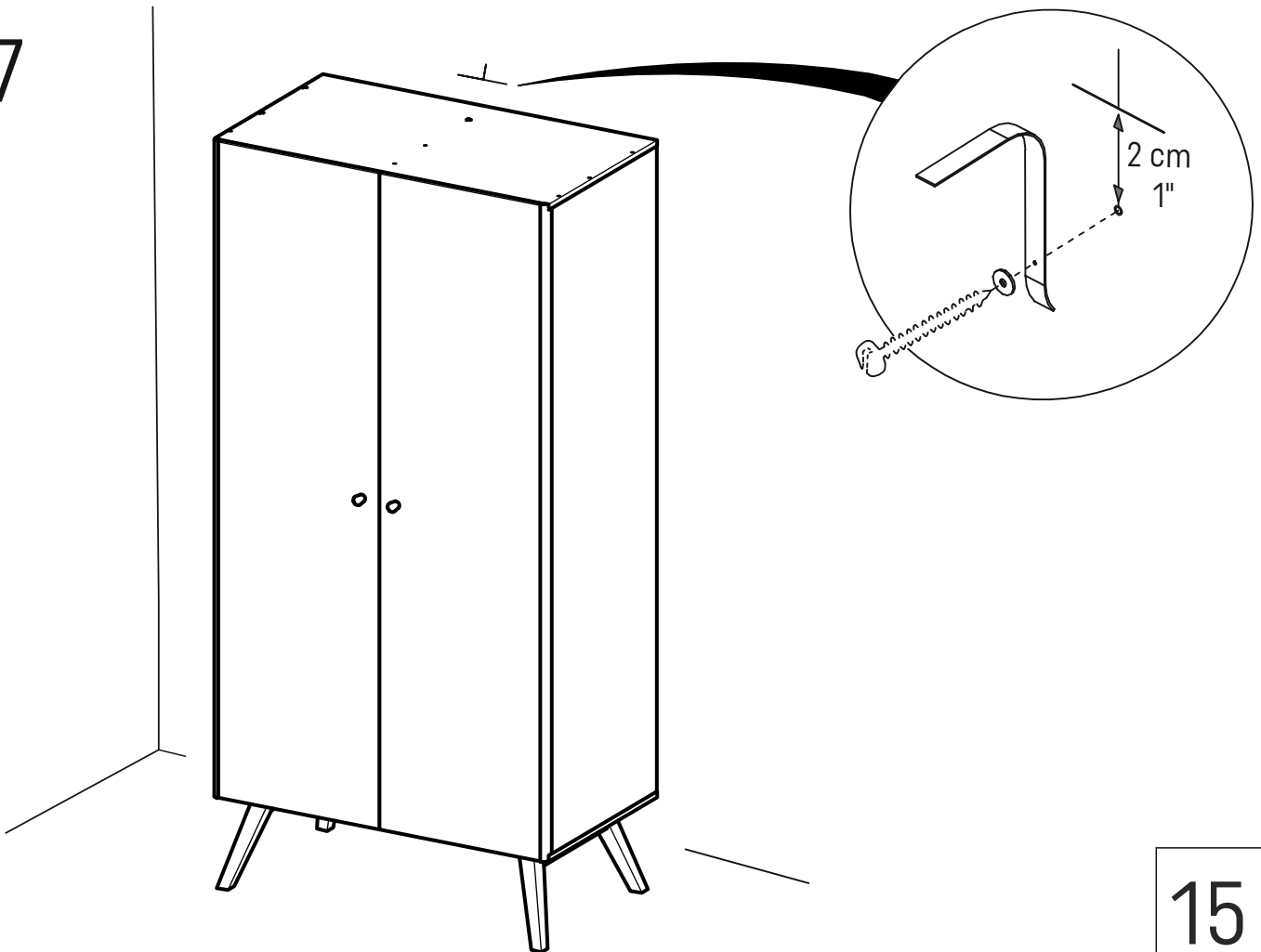
1005471	 x 2	2150437	 x 2
---------	---	---------	--



26



27



28

