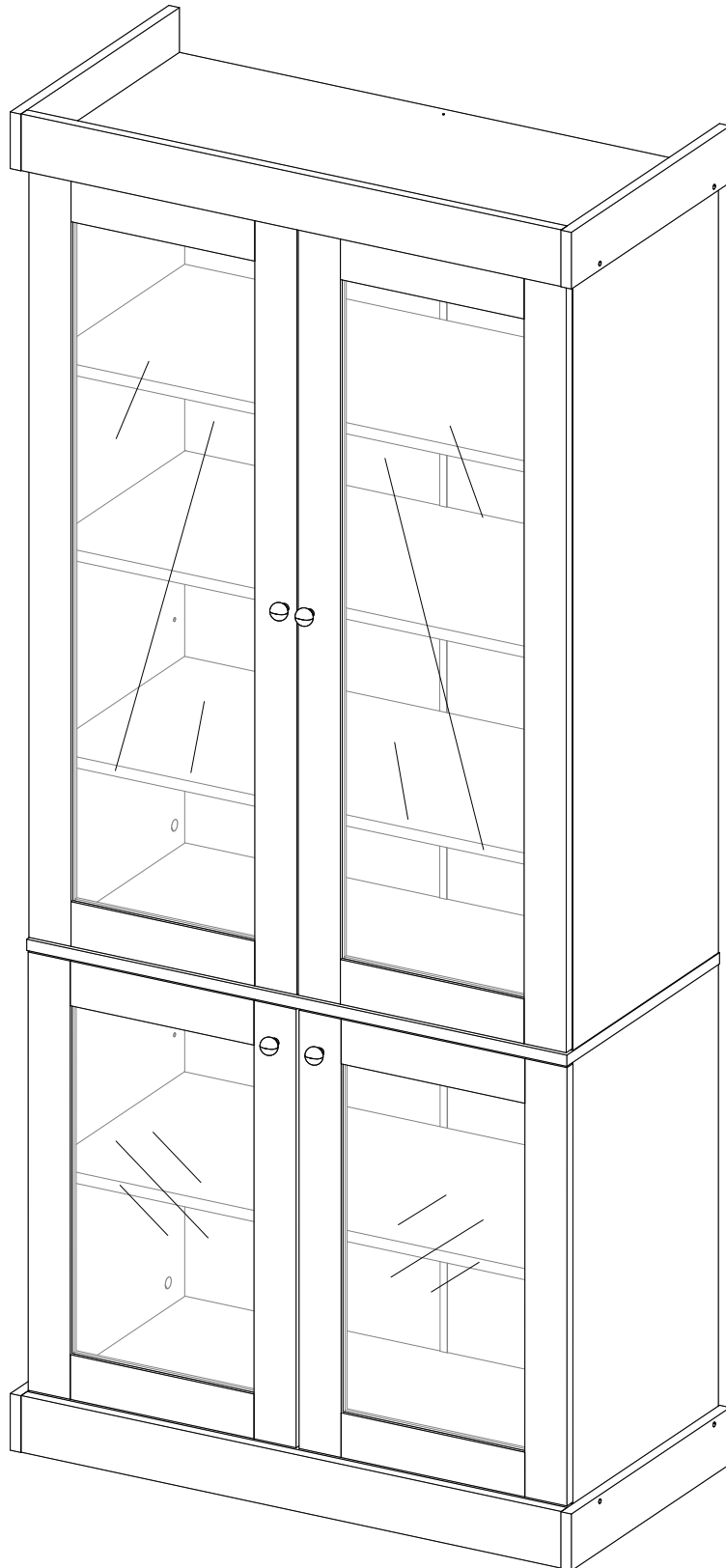


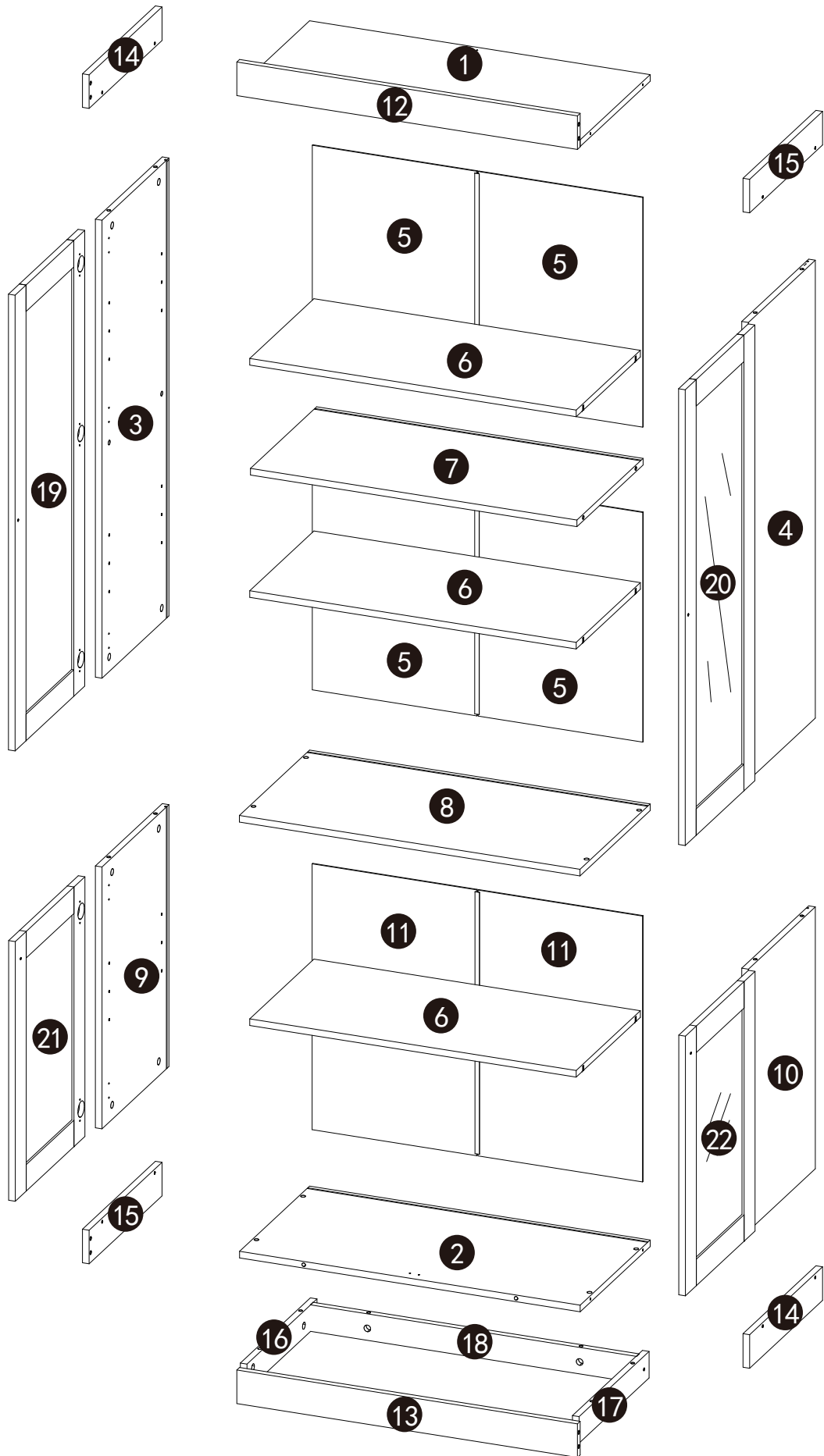
# Assembly Instruction

---

Decorate your home, Brighten wonderful life

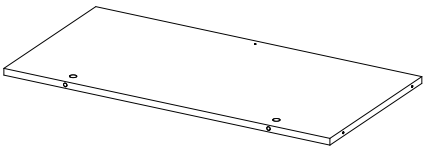

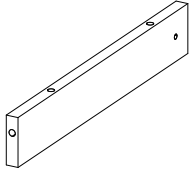
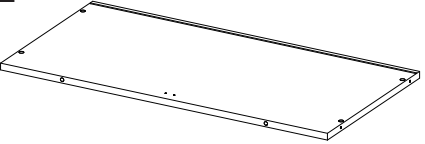
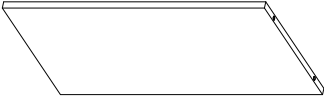
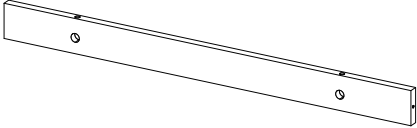
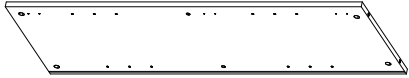
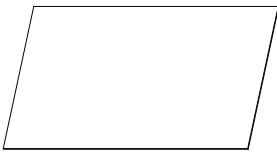
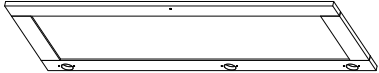
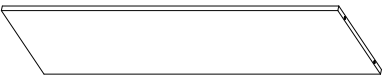
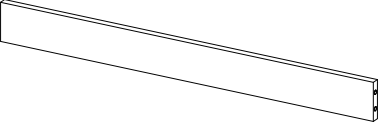
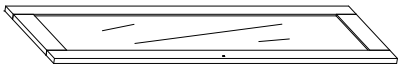

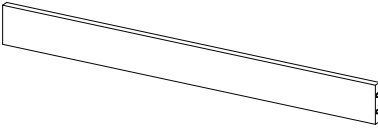

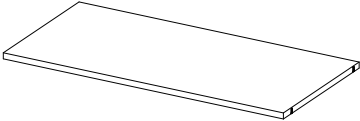
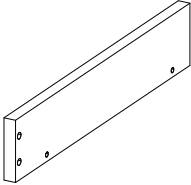
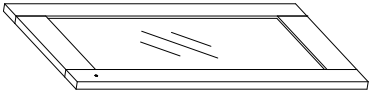
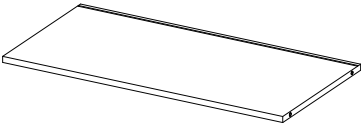
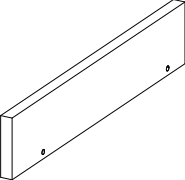
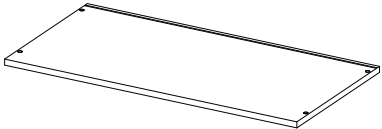
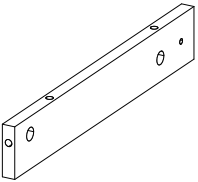


# Plate number



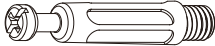
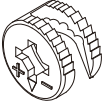
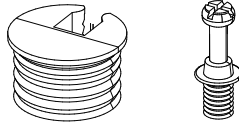

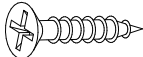

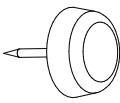
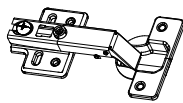

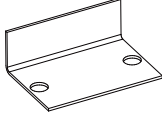



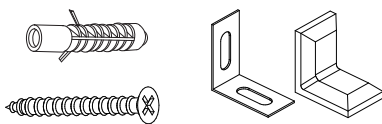
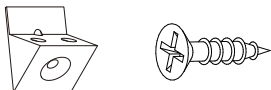
# PARTS LIST

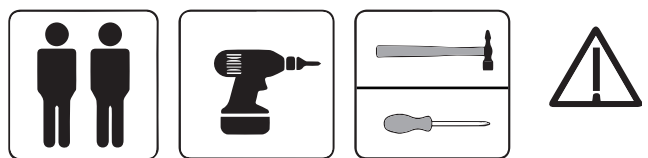
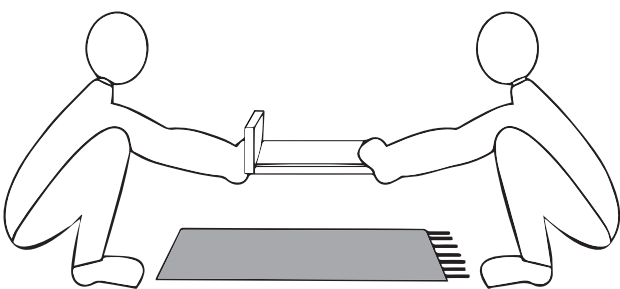
Unit: (mm)

<p><b>1</b> x1 PC</p> 	<p><b>9</b> x1 PC</p> 	<p><b>17</b> x1 PC</p> 
<p><b>2</b> x1 PC</p> 	<p><b>10</b> x1 PC</p> 	<p><b>18</b> x1 PC</p> 
<p><b>3</b> x1 PC</p> 	<p><b>11</b> x2 PC</p> 	<p><b>19</b> x1 PC</p> 
<p><b>4</b> x1 PC</p> 	<p><b>12</b> x1 PC</p> 	<p><b>20</b> x1 PC</p> 
<p><b>5</b> x4 PC</p> 	<p><b>13</b> x1 PC</p> 	<p><b>21</b> x1 PC</p> 
<p><b>6</b> x3 PC</p> 	<p><b>14</b> x2 PC</p> 	<p><b>22</b> x1 PC</p> 
<p><b>7</b> x1 PC</p> 	<p><b>15</b> x2 PC</p> 	
<p><b>8</b> x1 PC</p> 	<p><b>16</b> x1 PC</p> 	

# ACCESSORIES LIST

Unit: (mm)

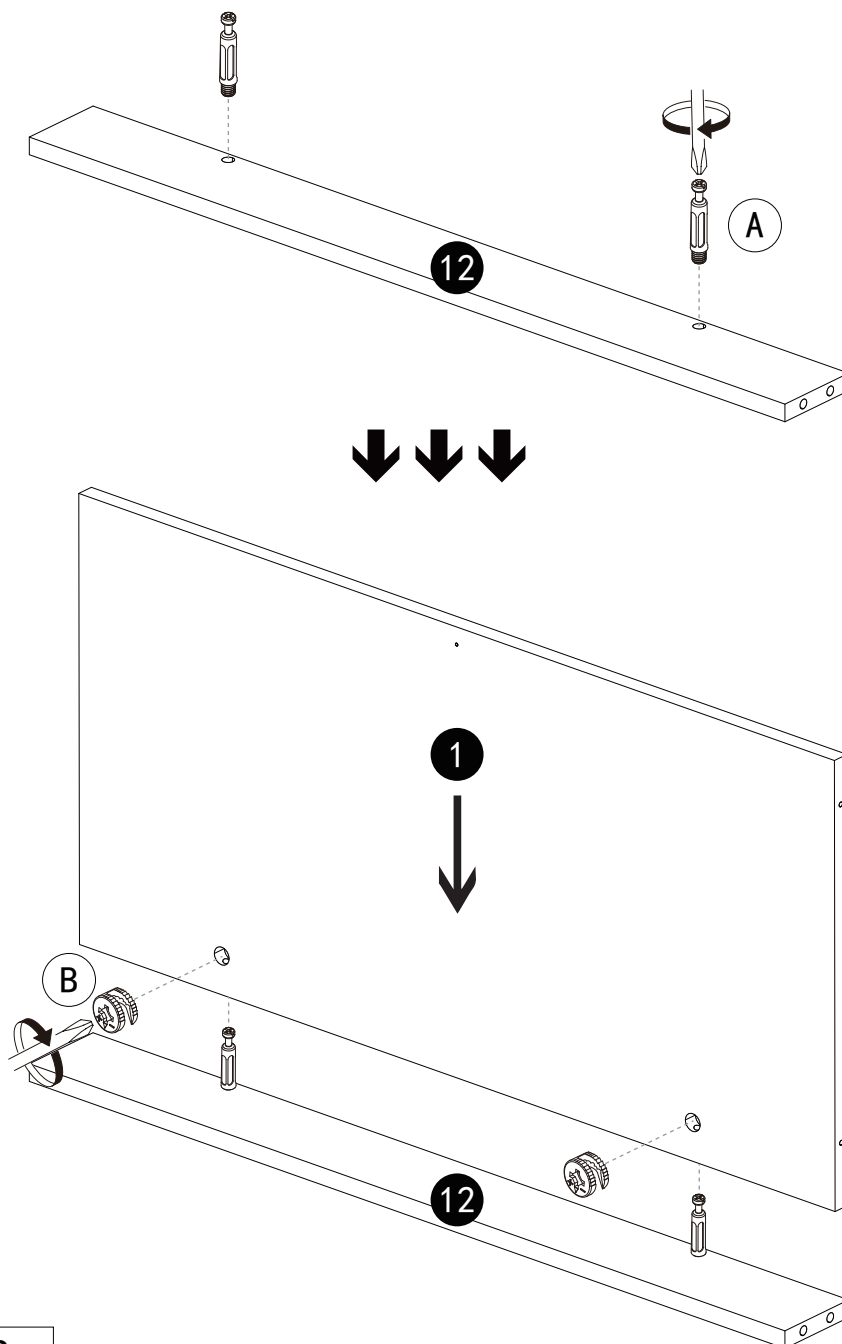
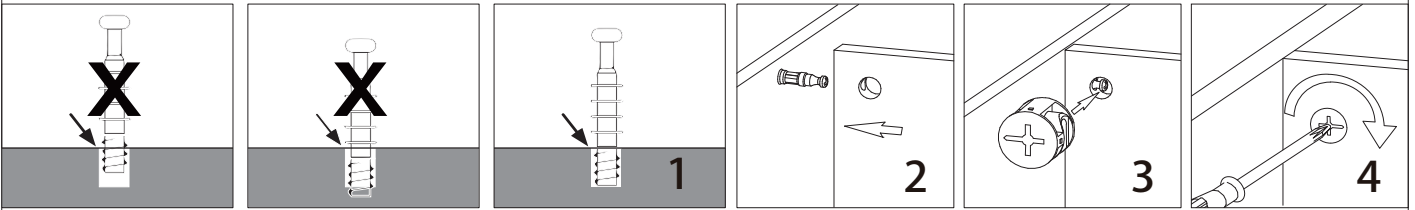
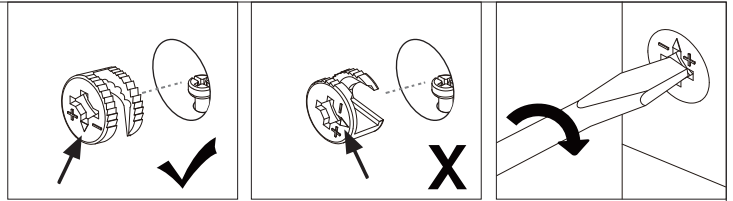
<p><b>A</b> 6x40 x32 PC</p> 	<p><b>B</b> 15x11 x32 PC</p> 	<p><b>C</b> 21x12 x12 PC</p> 
<p><b>D</b> 8x40 x8 PC</p> 	<p><b>E</b> M3.5x14 x65 PC</p> 	<p><b>F</b> M5x40/#3 x10 PC/x1 PC</p> 
<p><b>G</b> Ø12x5 x12 PC</p> 	<p><b>H</b> Hinge x10 PC</p> 	<p><b>J</b> M4x18 x4 PC</p> 
<p><b>K</b> 27x15 x2 PC</p> 	<p><b>L</b> 21mm x20 PC</p> 	<p><b>M</b> 511mm x2 PC</p> 
<p><b>N</b> 593mm x1 PC</p> 	<p><b>O</b> M4x50/8x40 x1 PC</p> 	<p><b>P</b> M3x14 x24 PC</p> 





# INSTALLATION INSTRUCTION

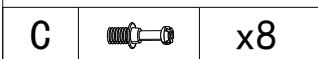
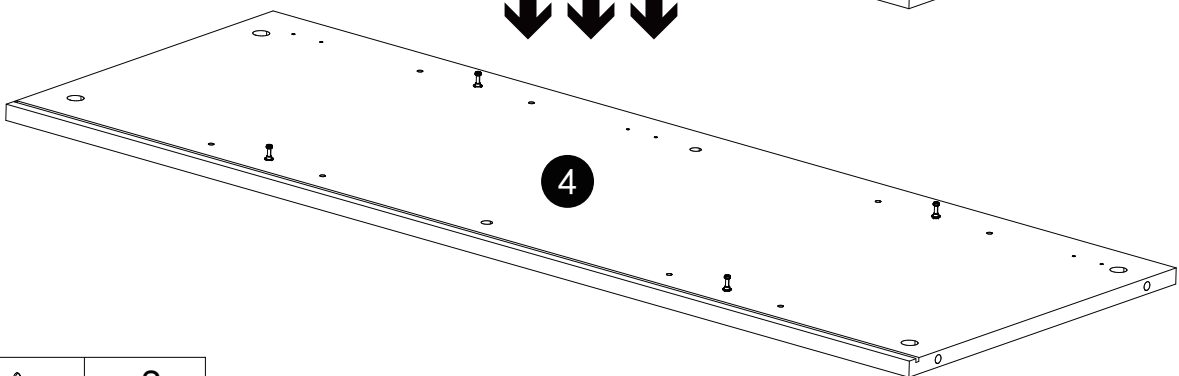
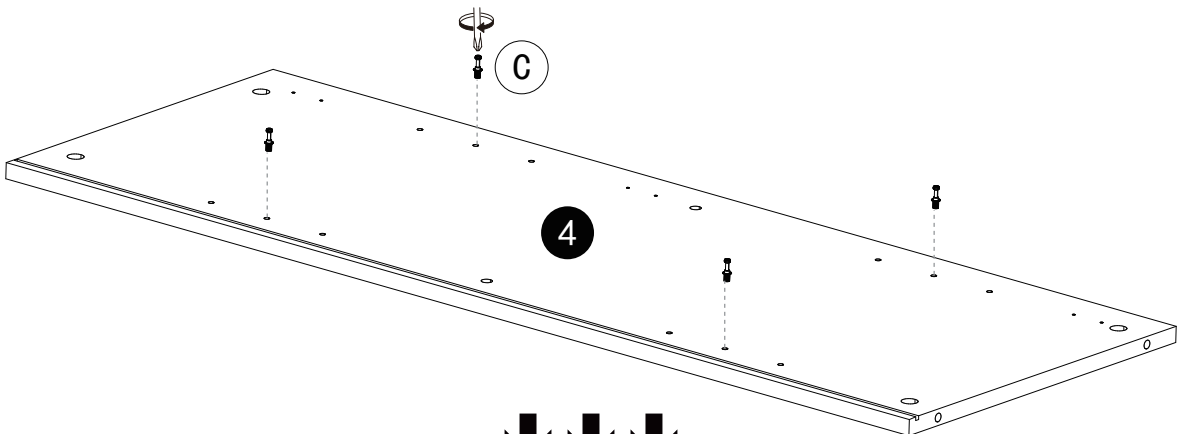
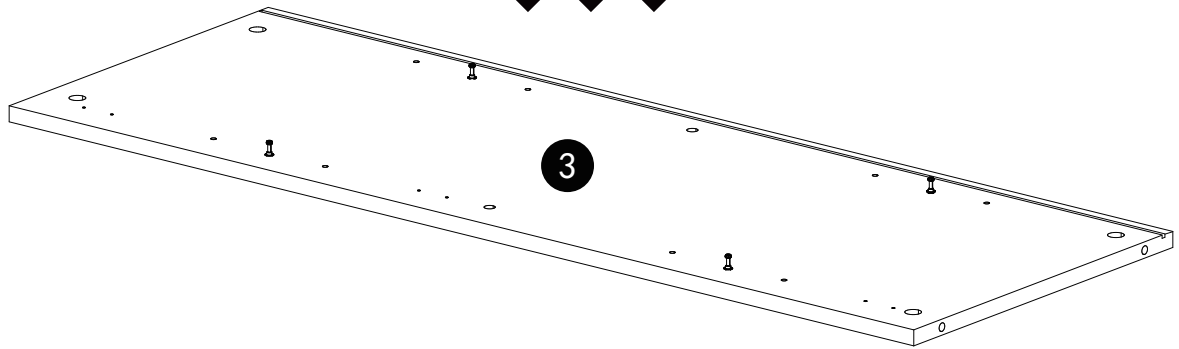
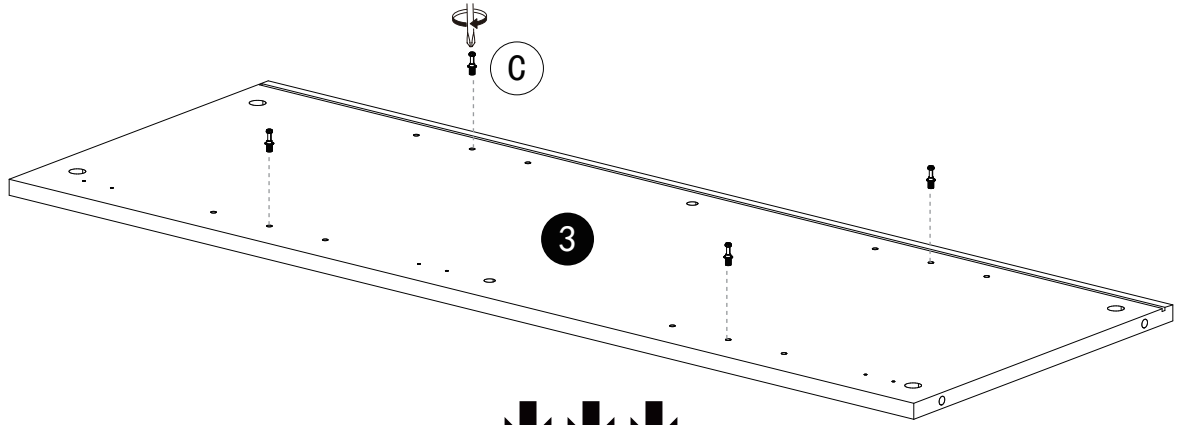
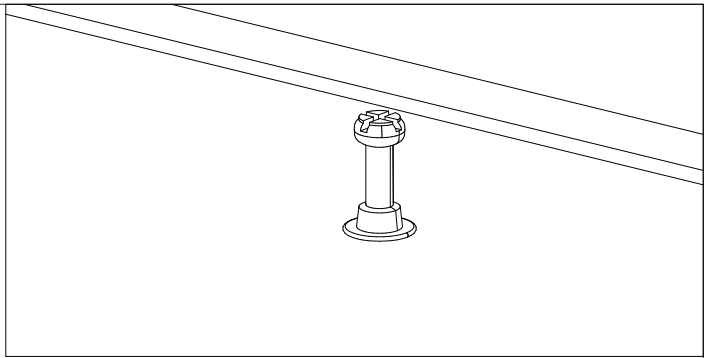
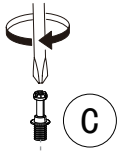
## STEP 1

Installation method of three in one rod and buckle

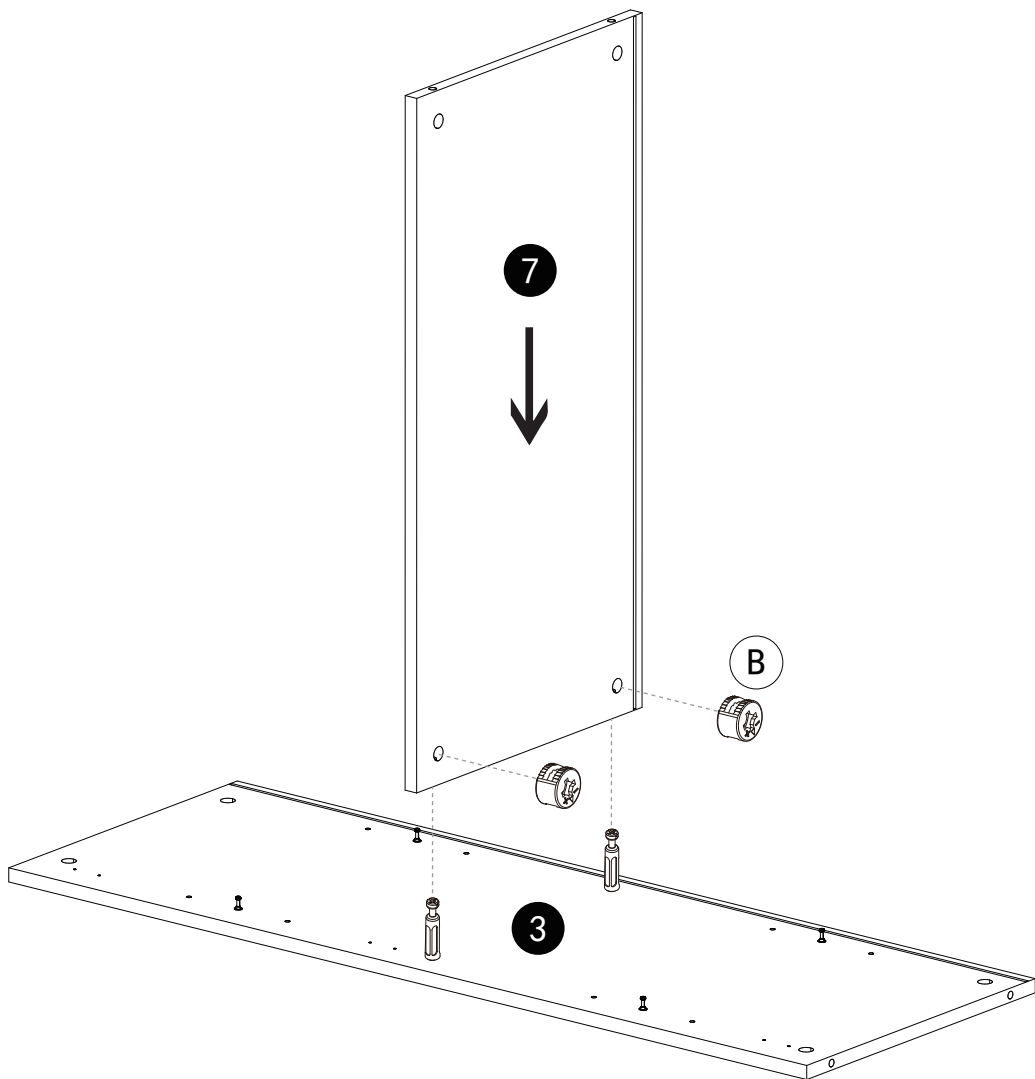
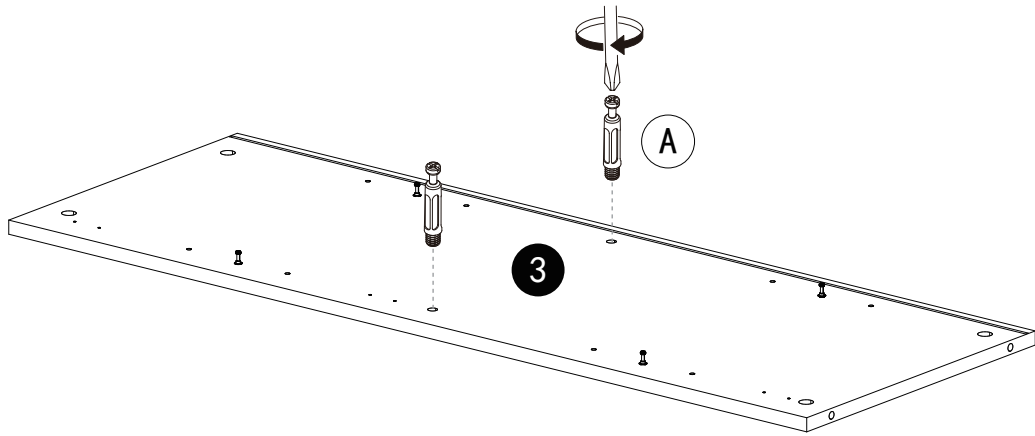




A		x2
B		x2

**STEP 2**

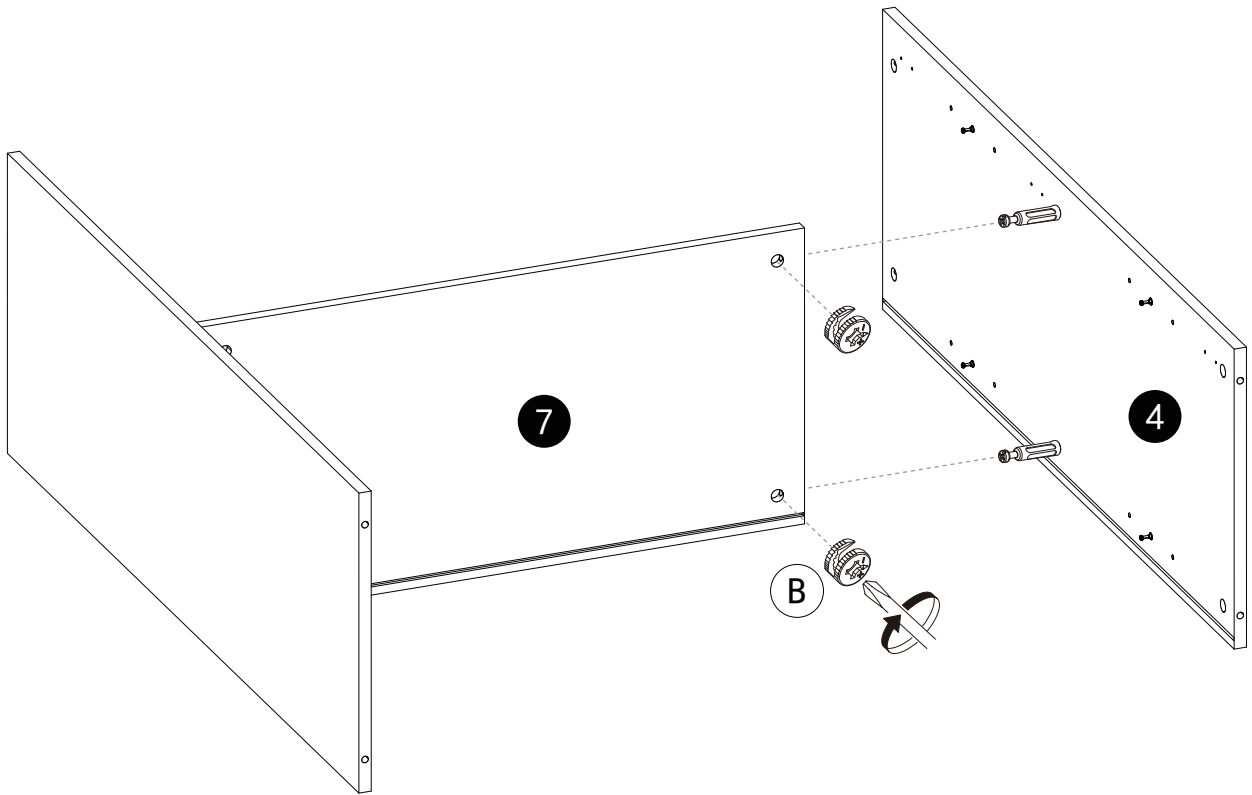
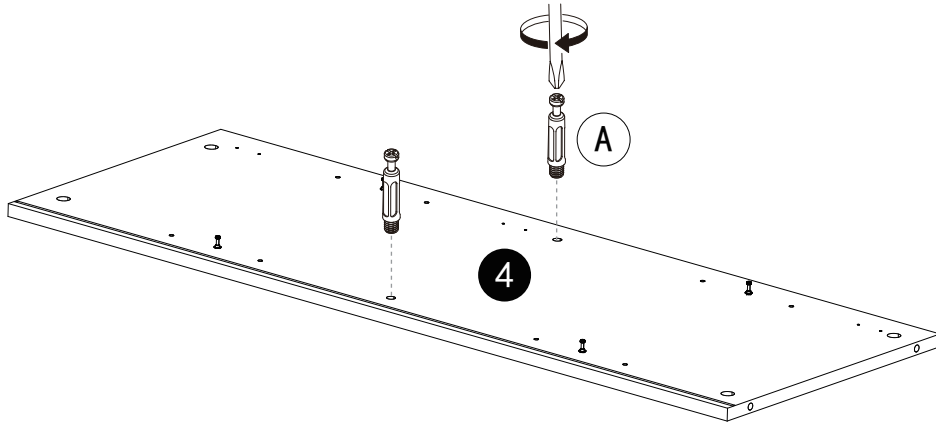




# STEP 3



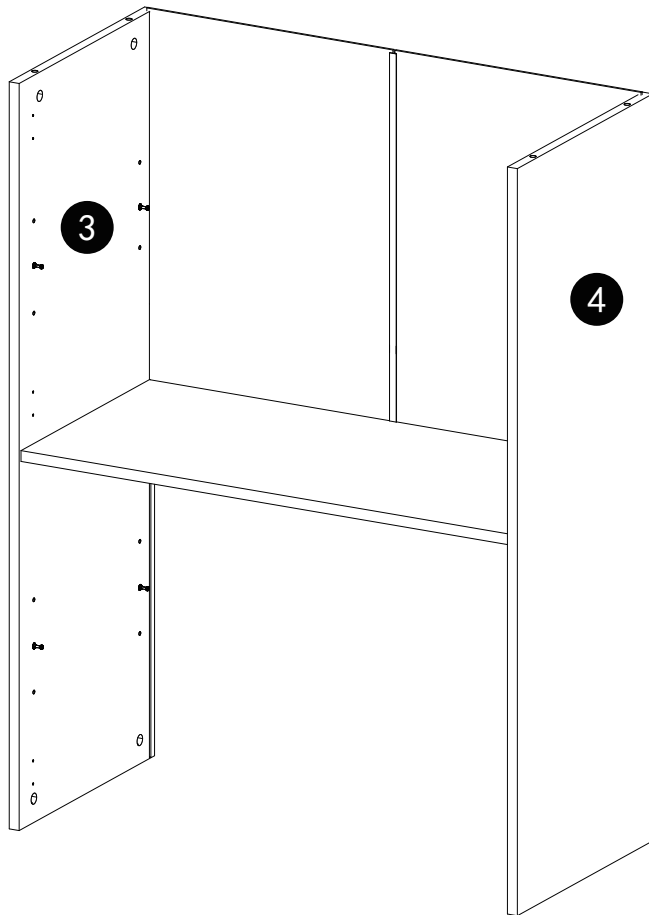
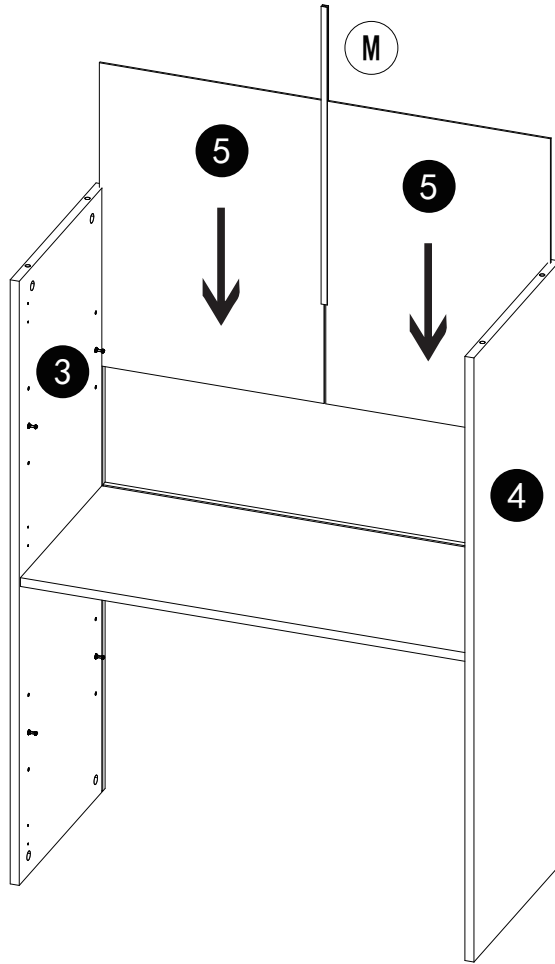
A		x2
B		x2

# STEP 4



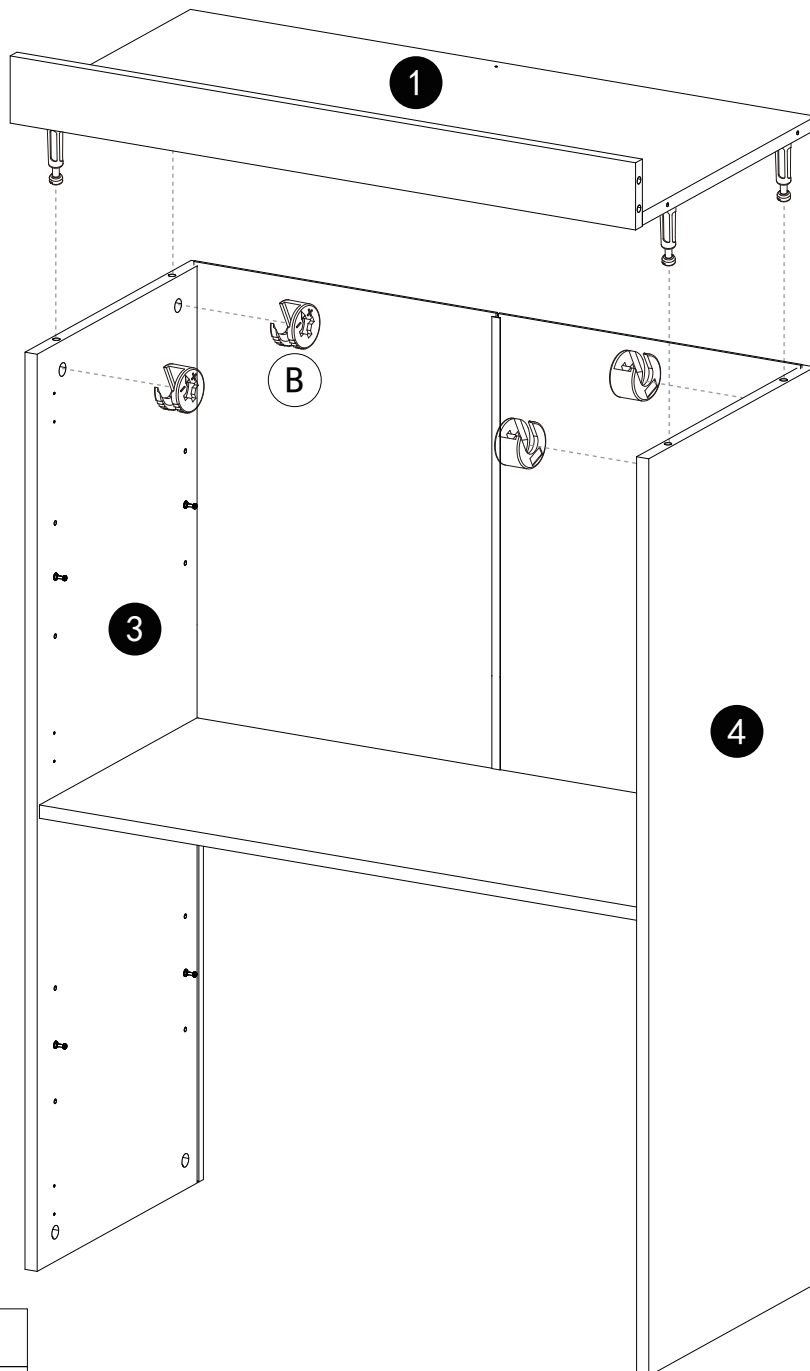
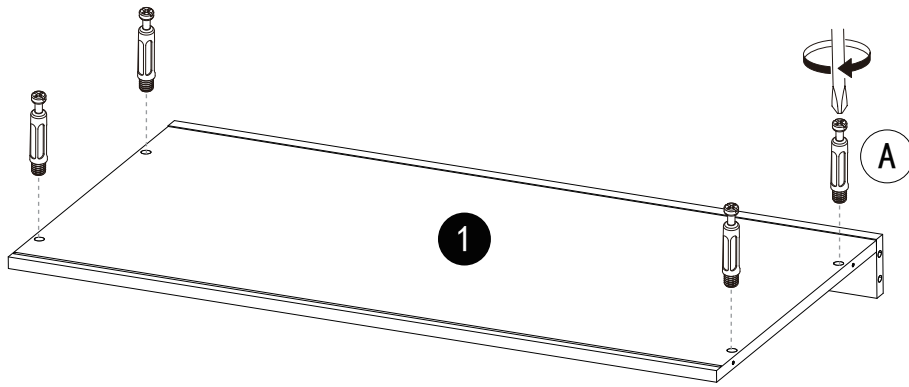
A		x2
B		x2



**STEP 5**



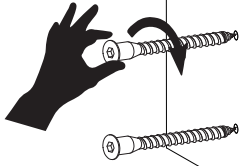
M		x1
---	--	----

# STEP 6



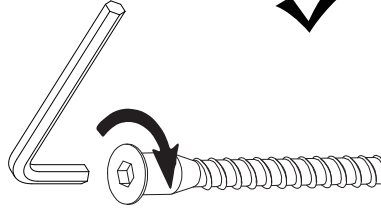
A		x4
B		x4

**STEP 7**

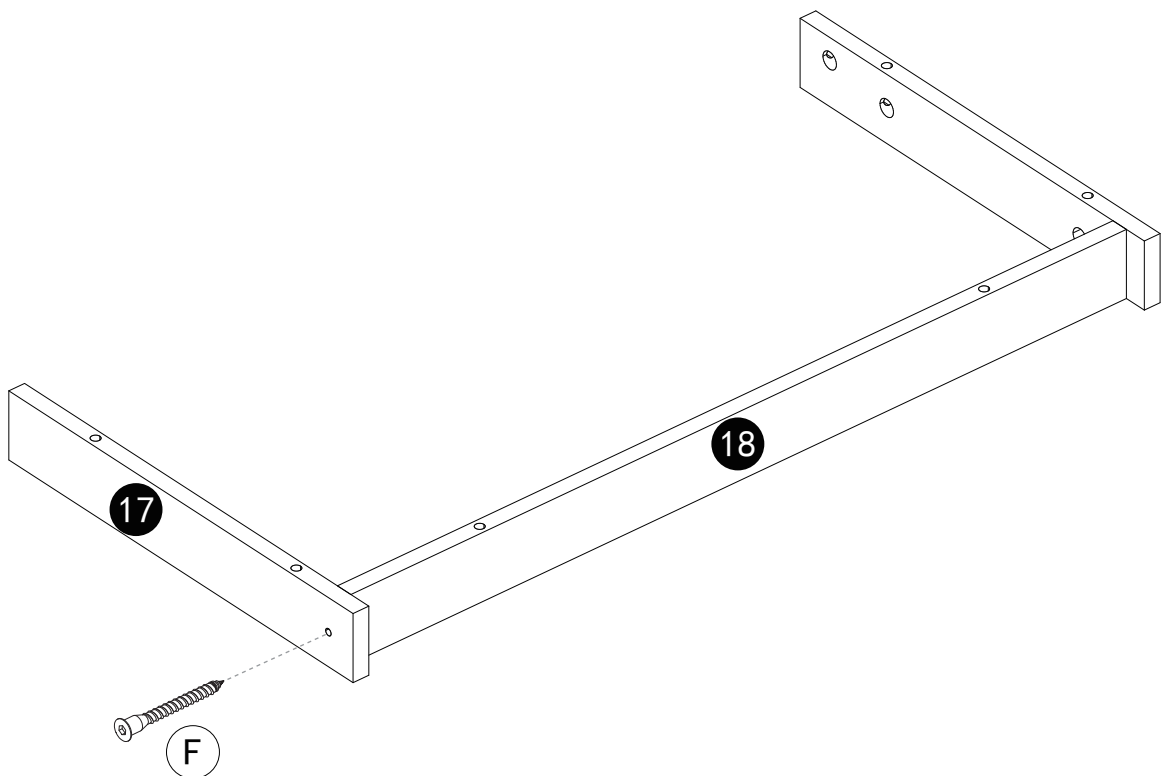
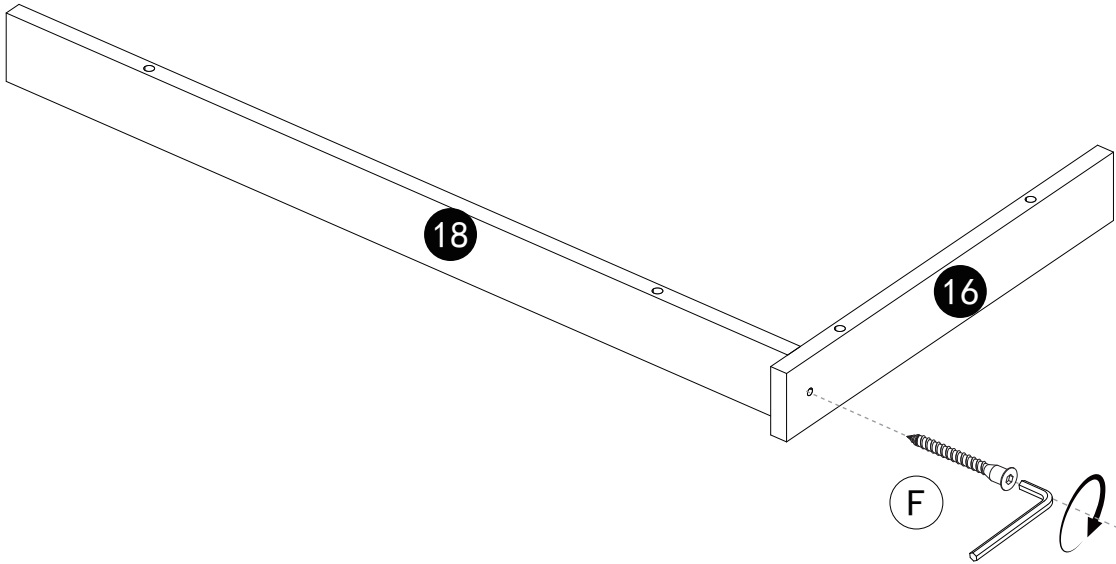
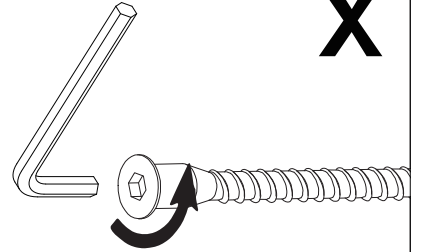


1

2

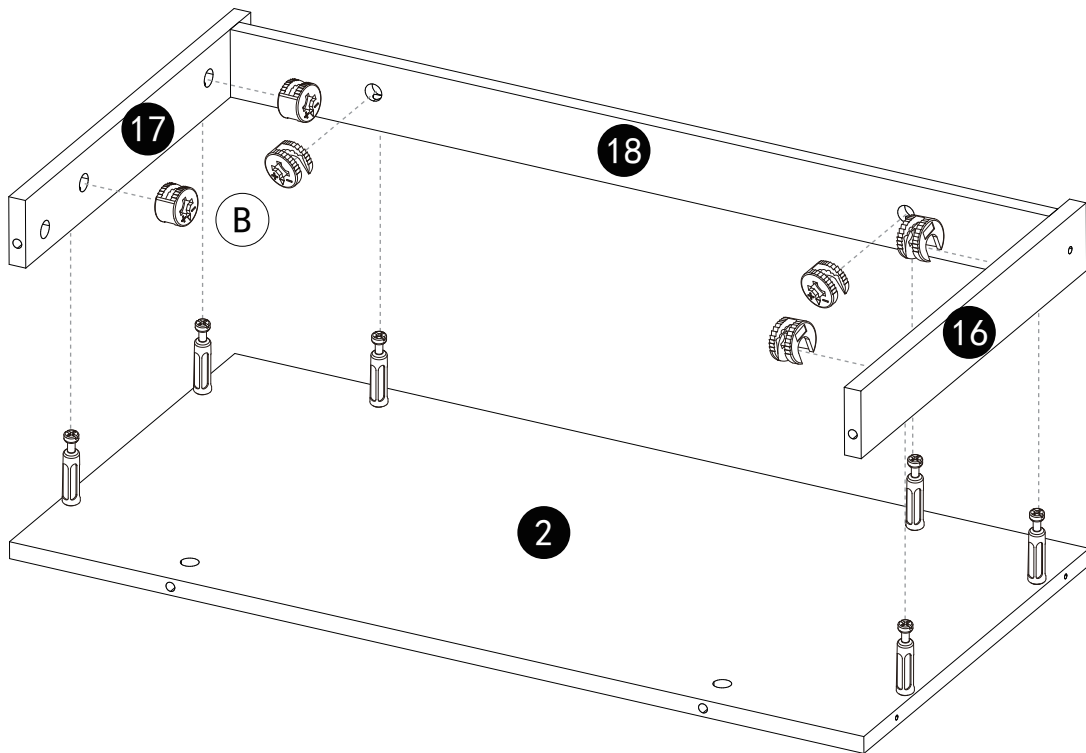
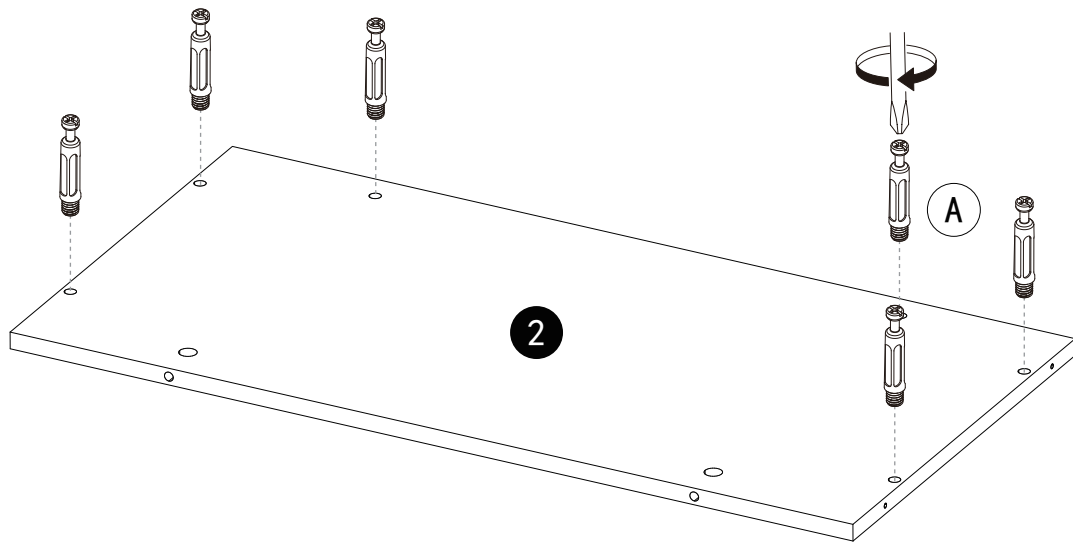




X



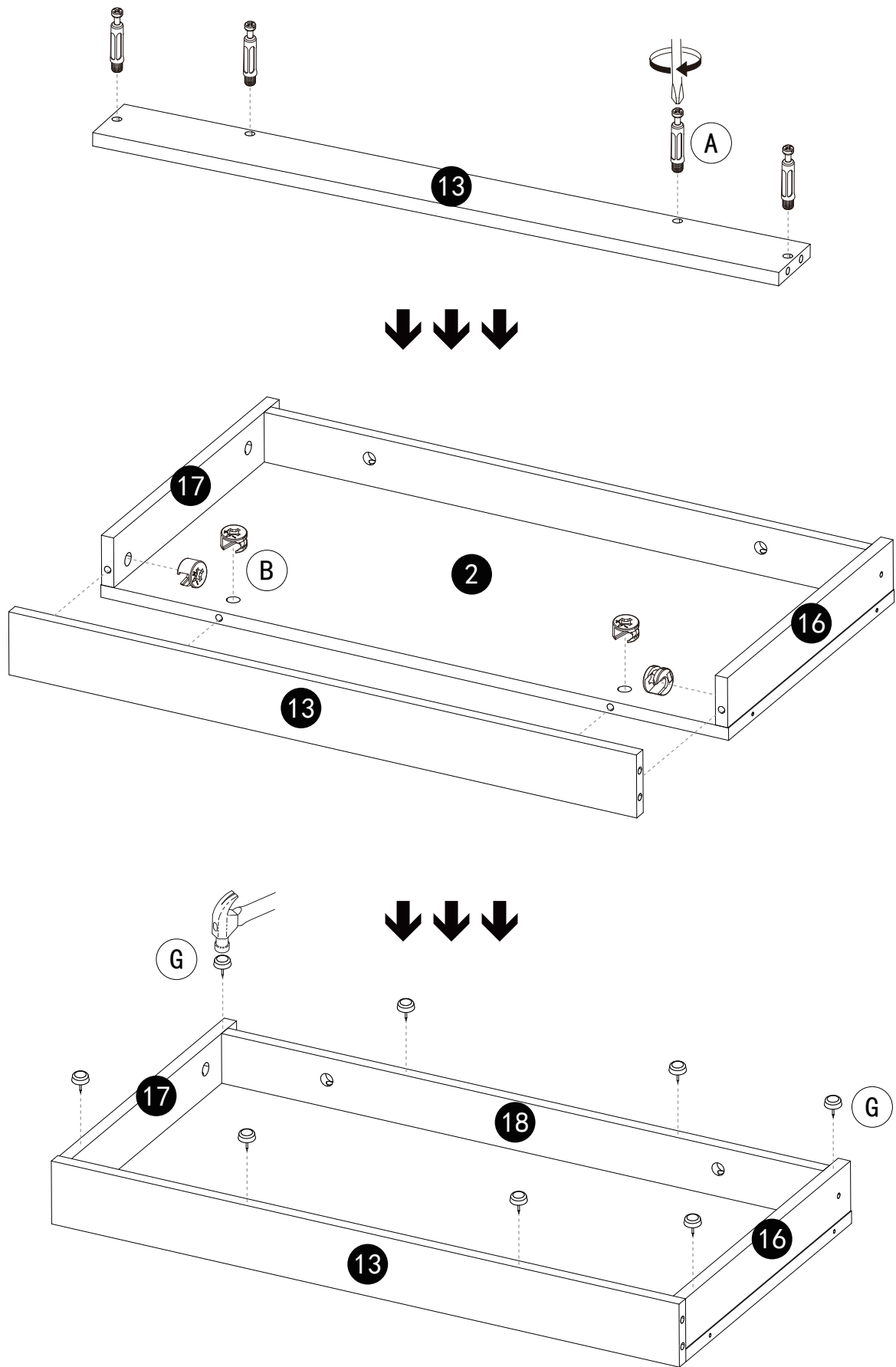
F		x2
---	---	----



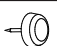
# STEP 8



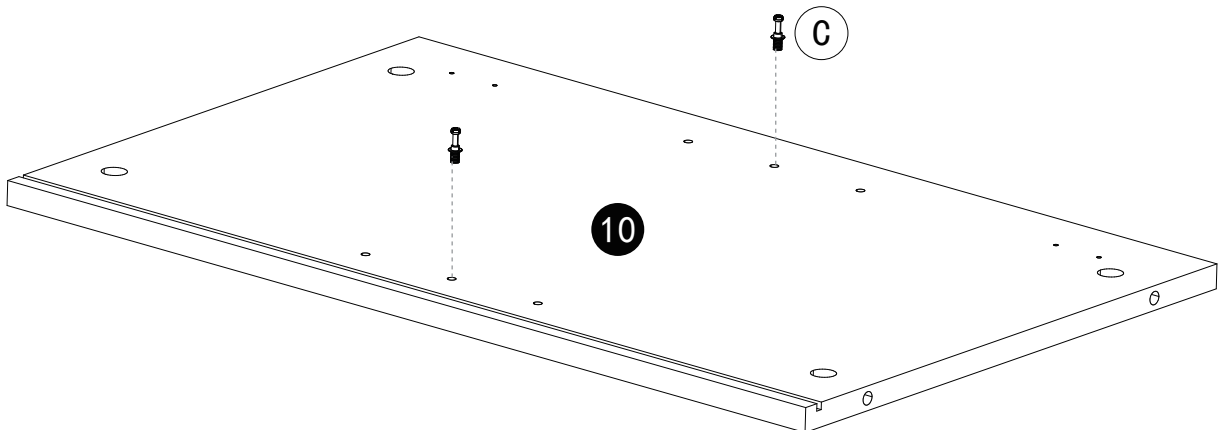
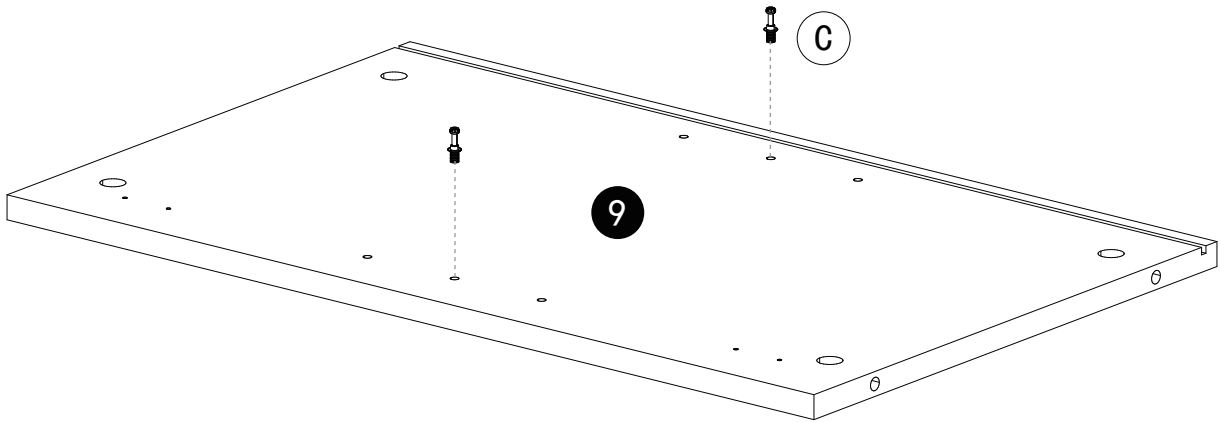
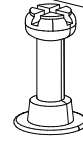
A		x6
B		x6

# STEP 9



A		x4			
B		x4	G		x8

**STEP 10**

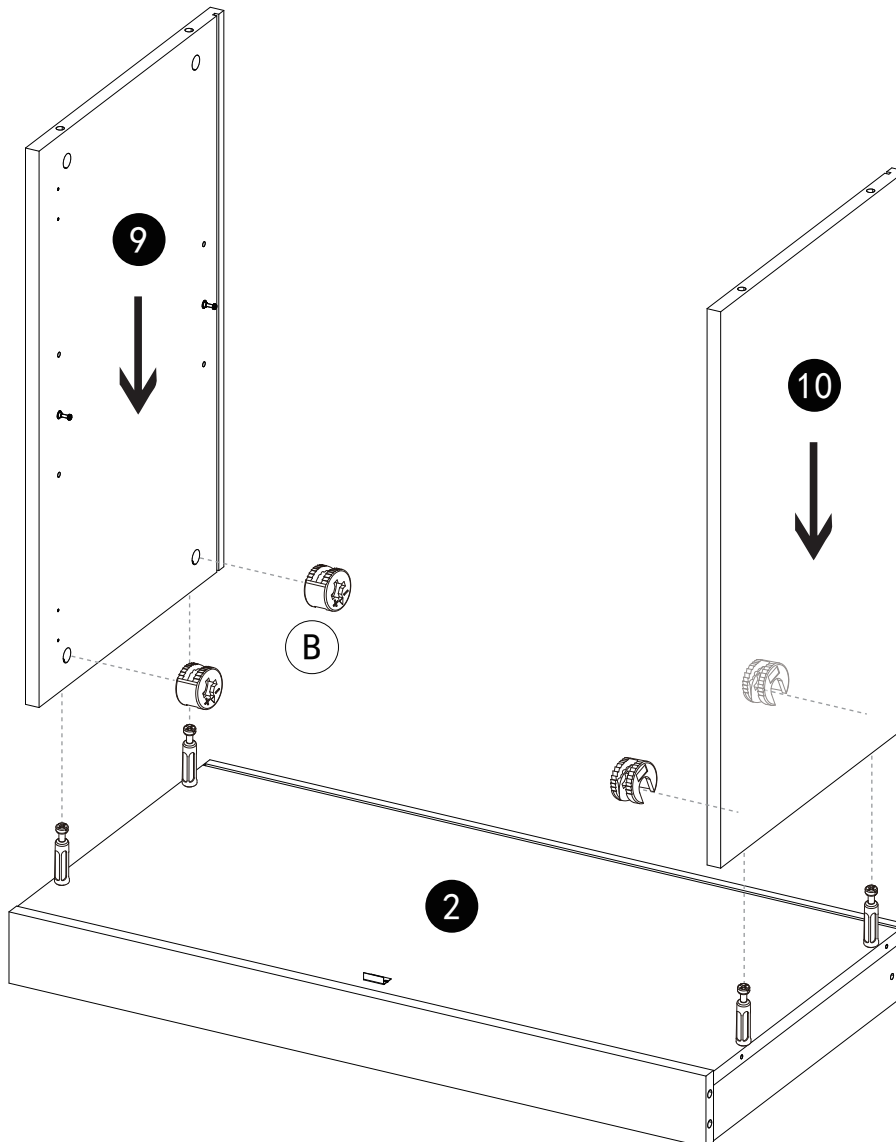
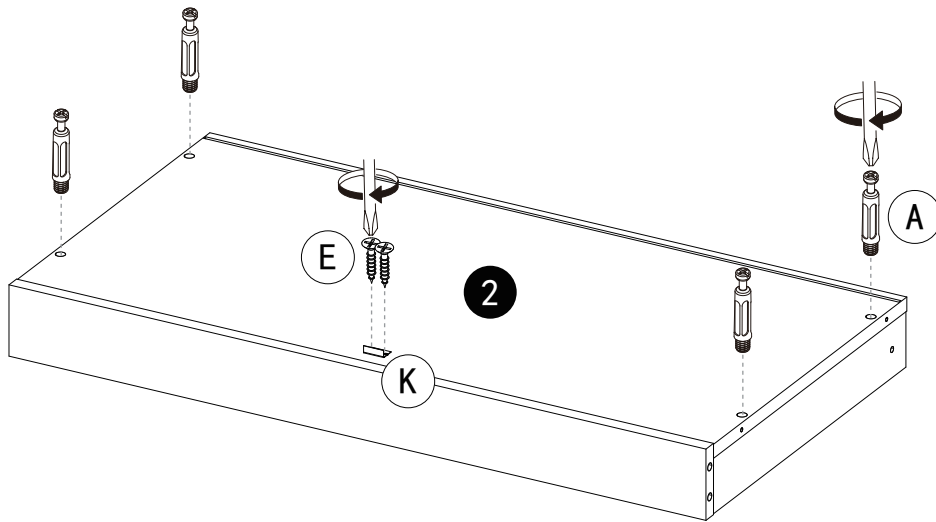


**C**



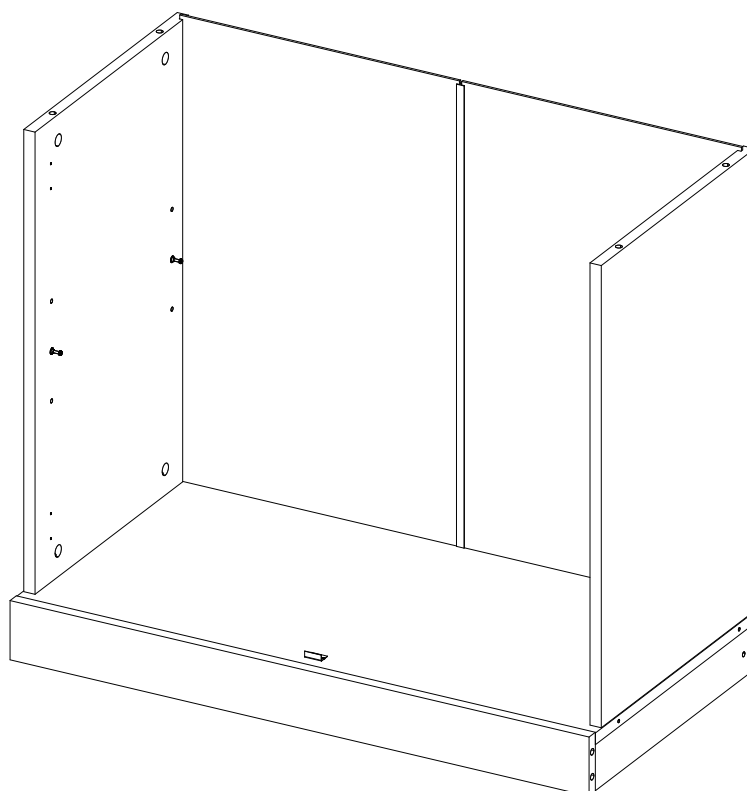
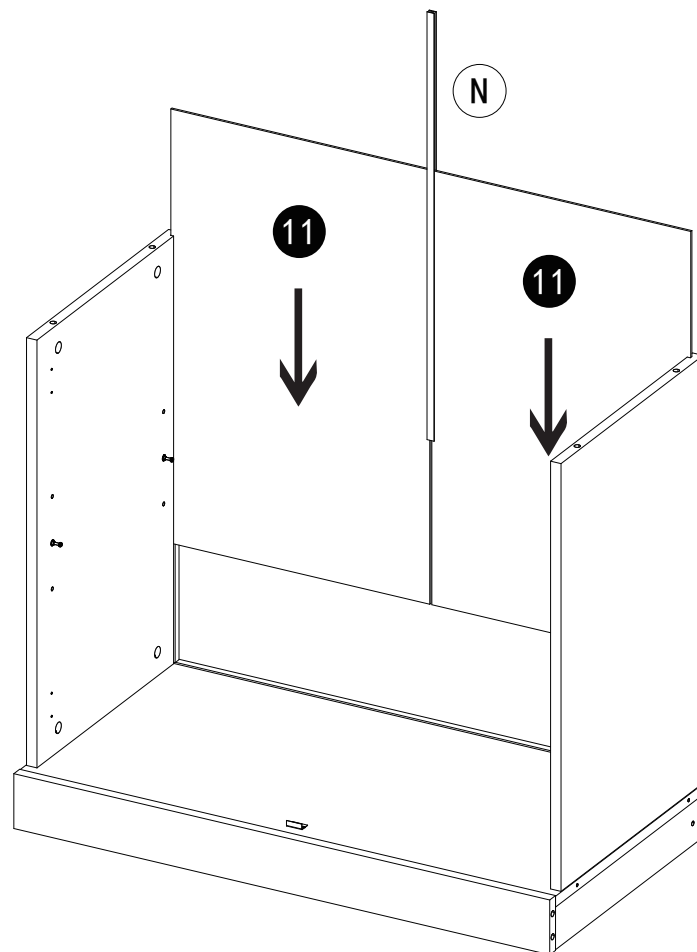
**x4**

# STEP 11



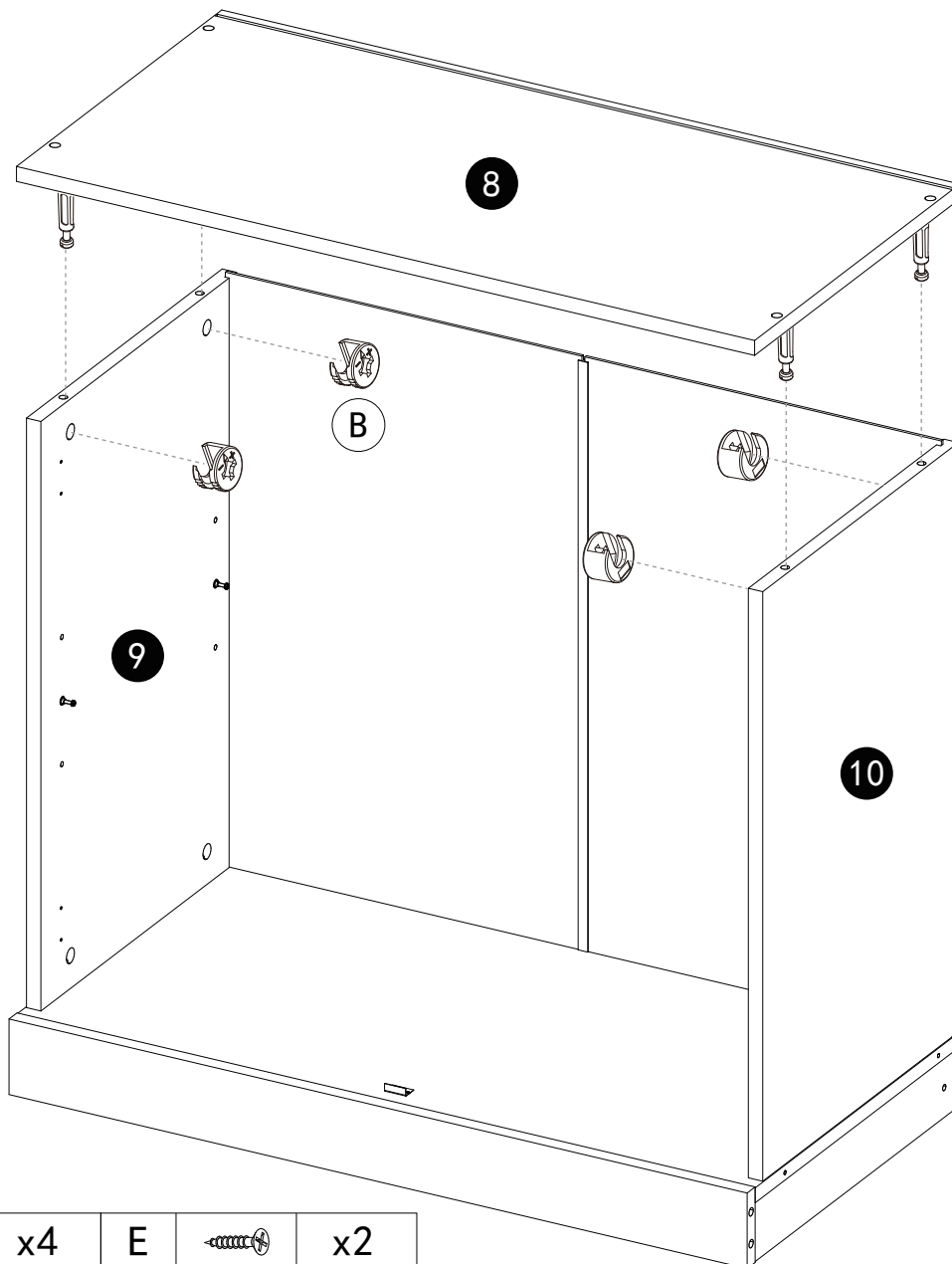
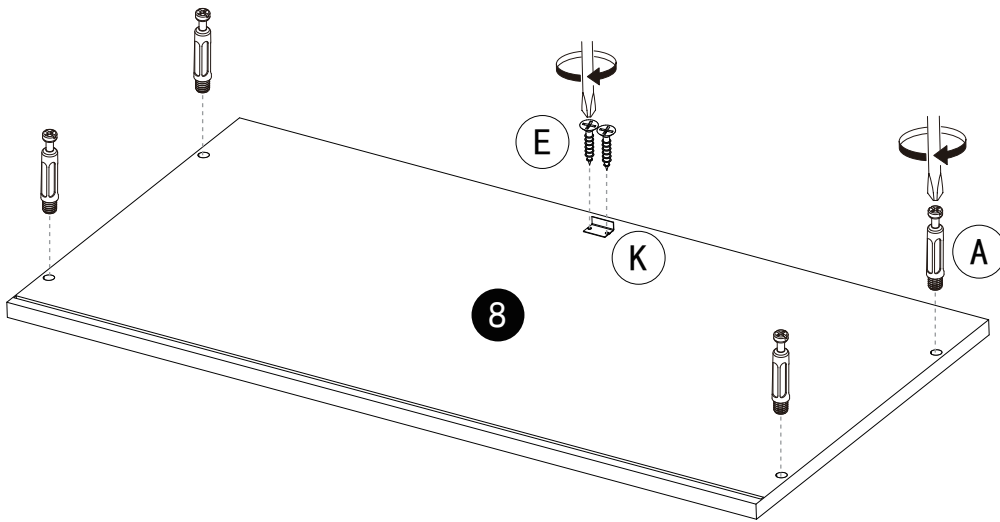
A		x4	E		x2
B		x4	K		x1


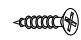


STEP 12



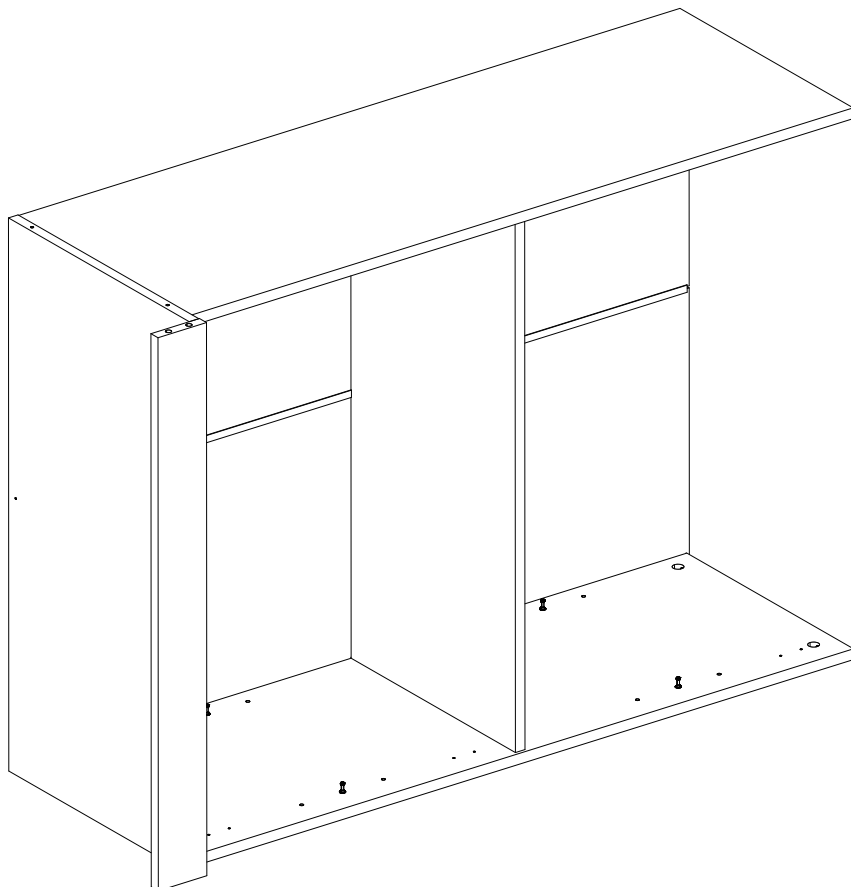
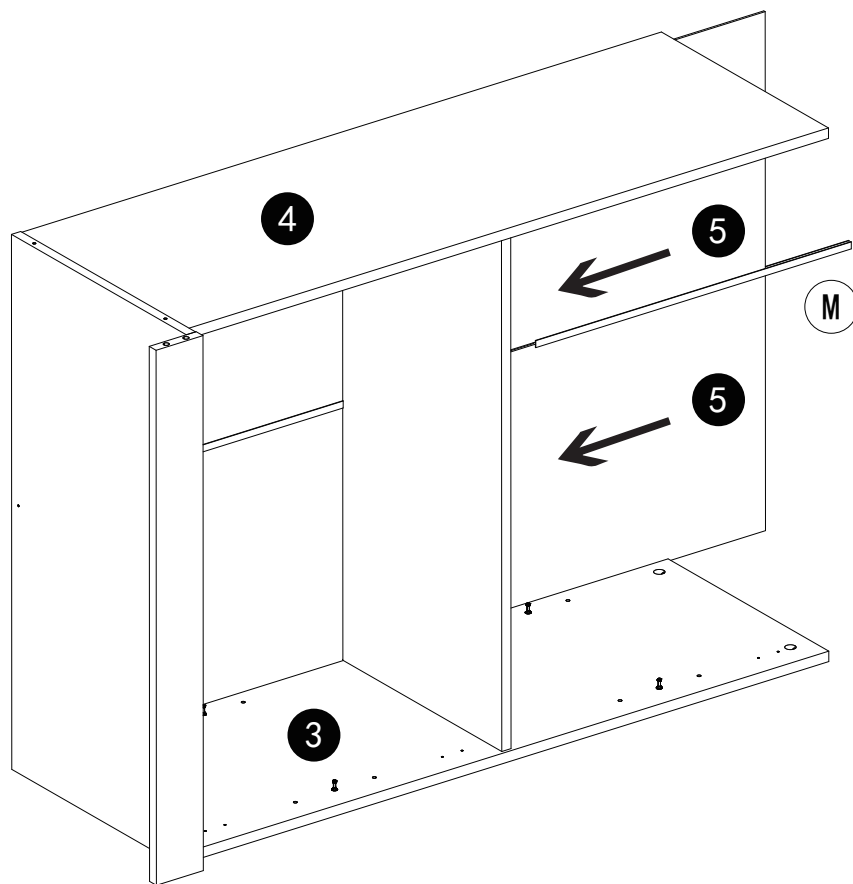
N		x1
---	---	----


# STEP 13



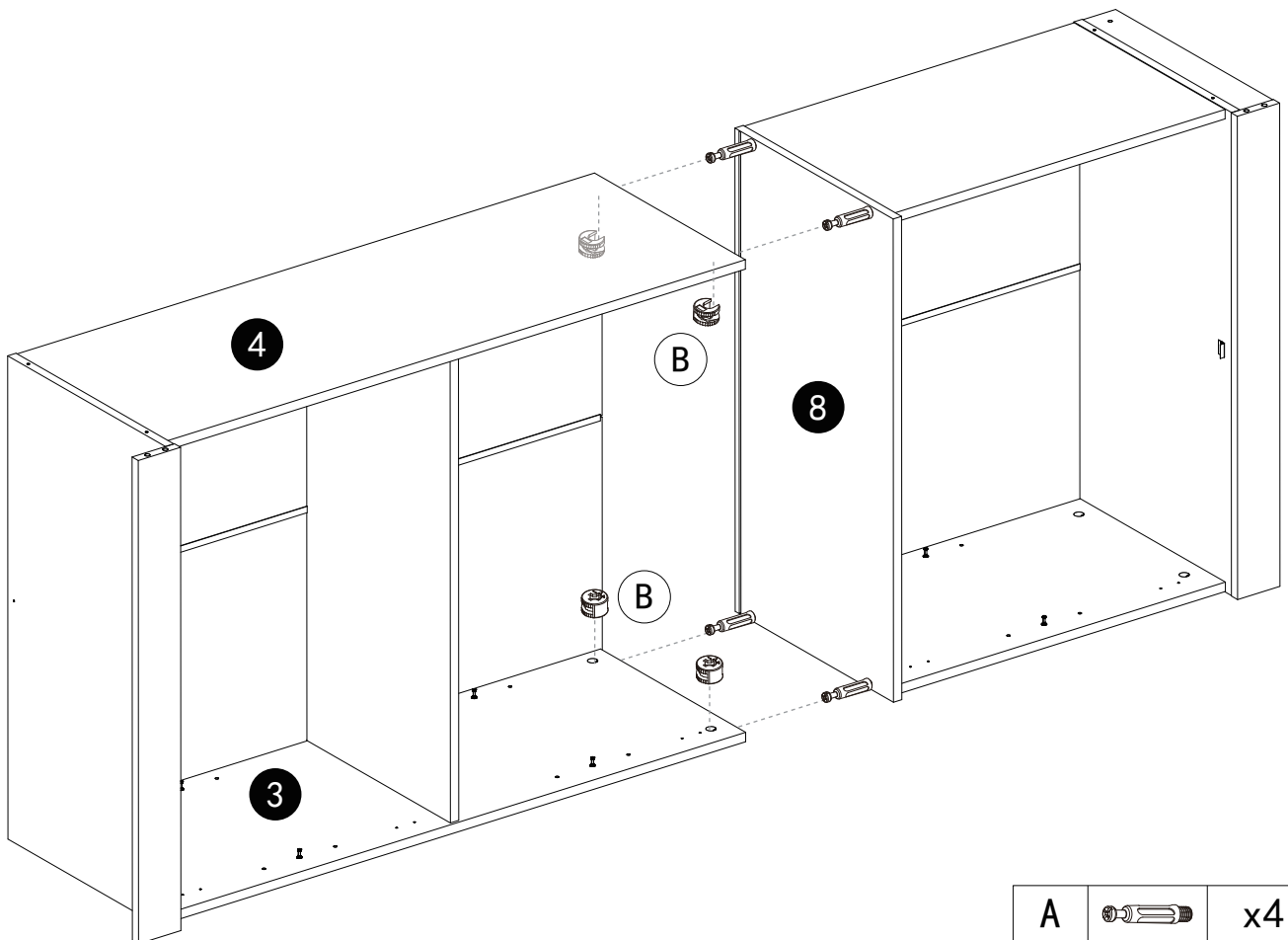
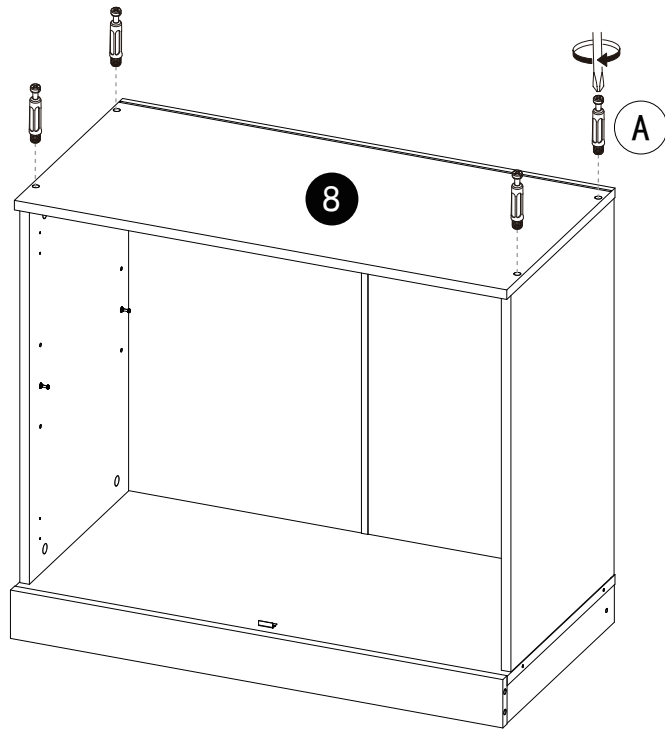
A		x4	E		x2
B		x4	K		x1



**STEP 14**



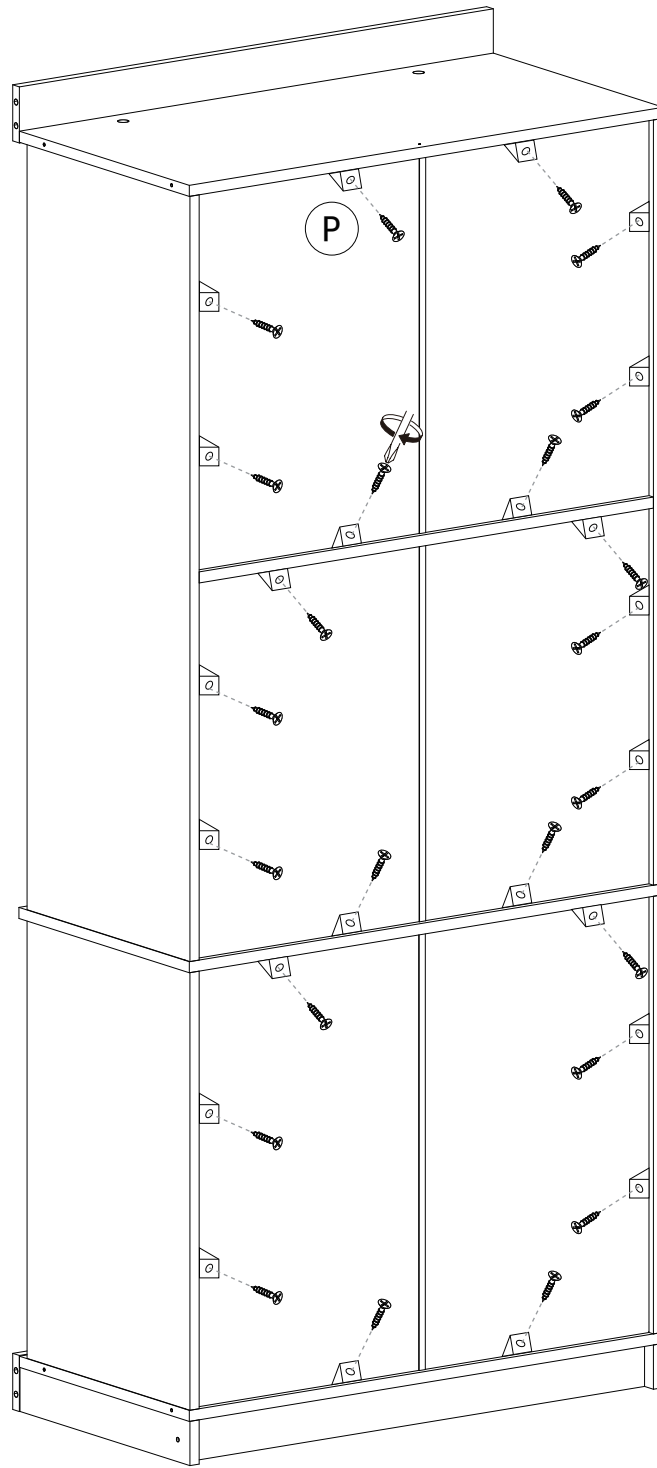
M		x1
---	---	----



# STEP 15

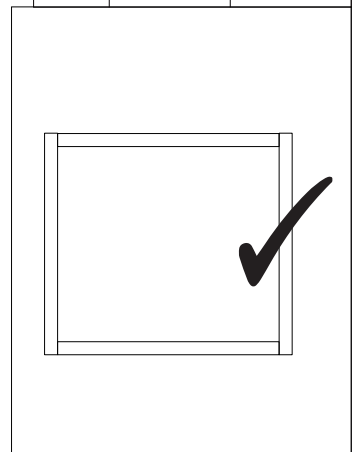
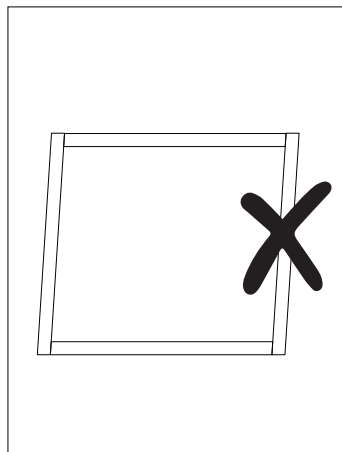
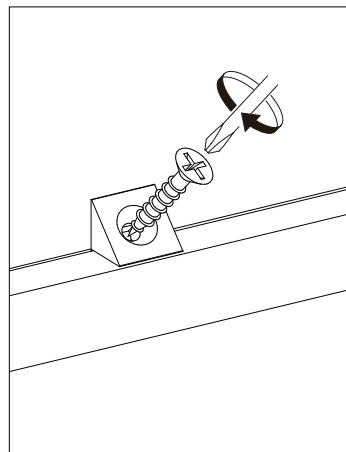
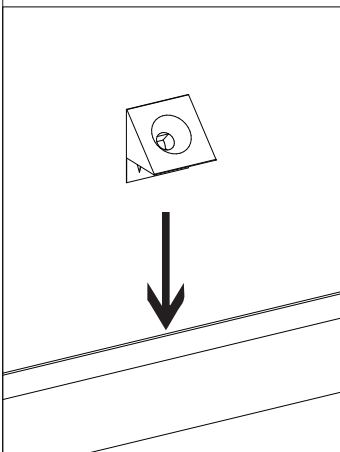


A		x4
B		x4

STEP 16

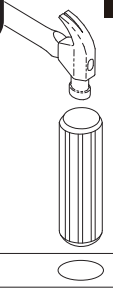


P   x24



**STEP 17**

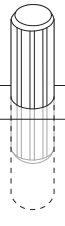
**1**



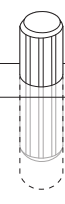
**2**



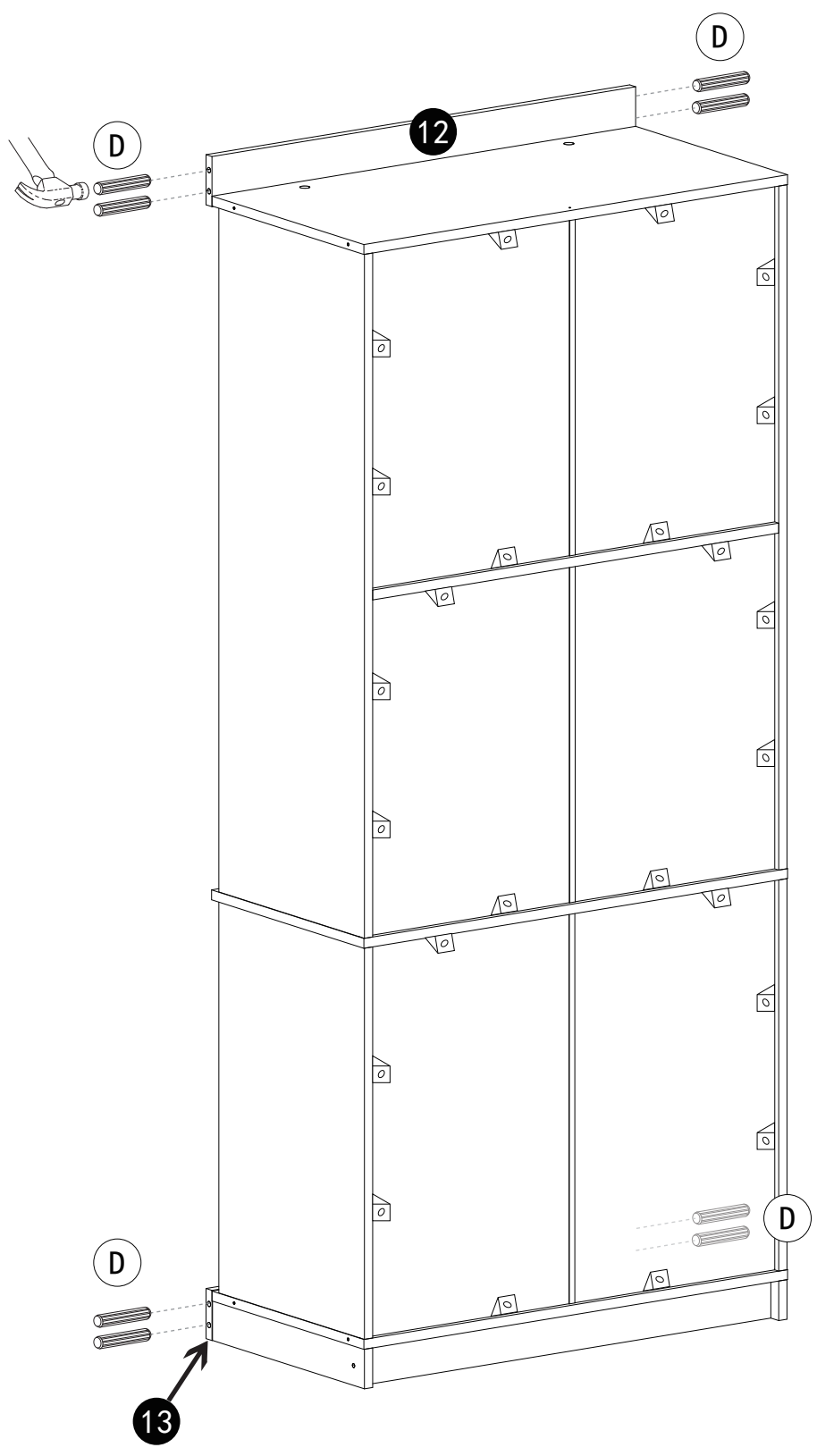
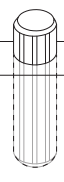
**X**




**X**

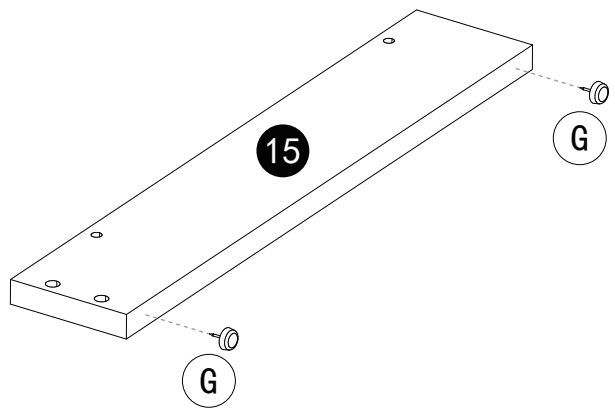
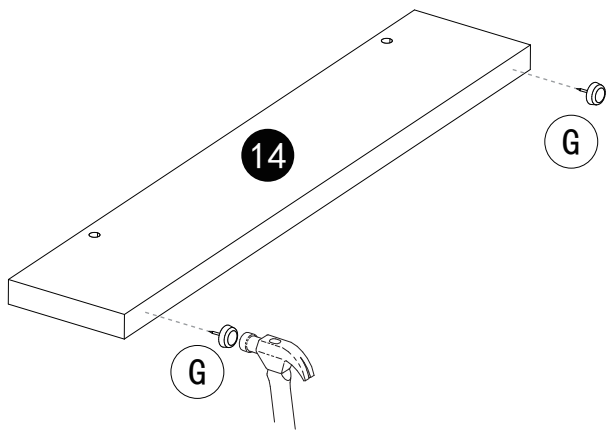


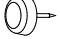
**✓**



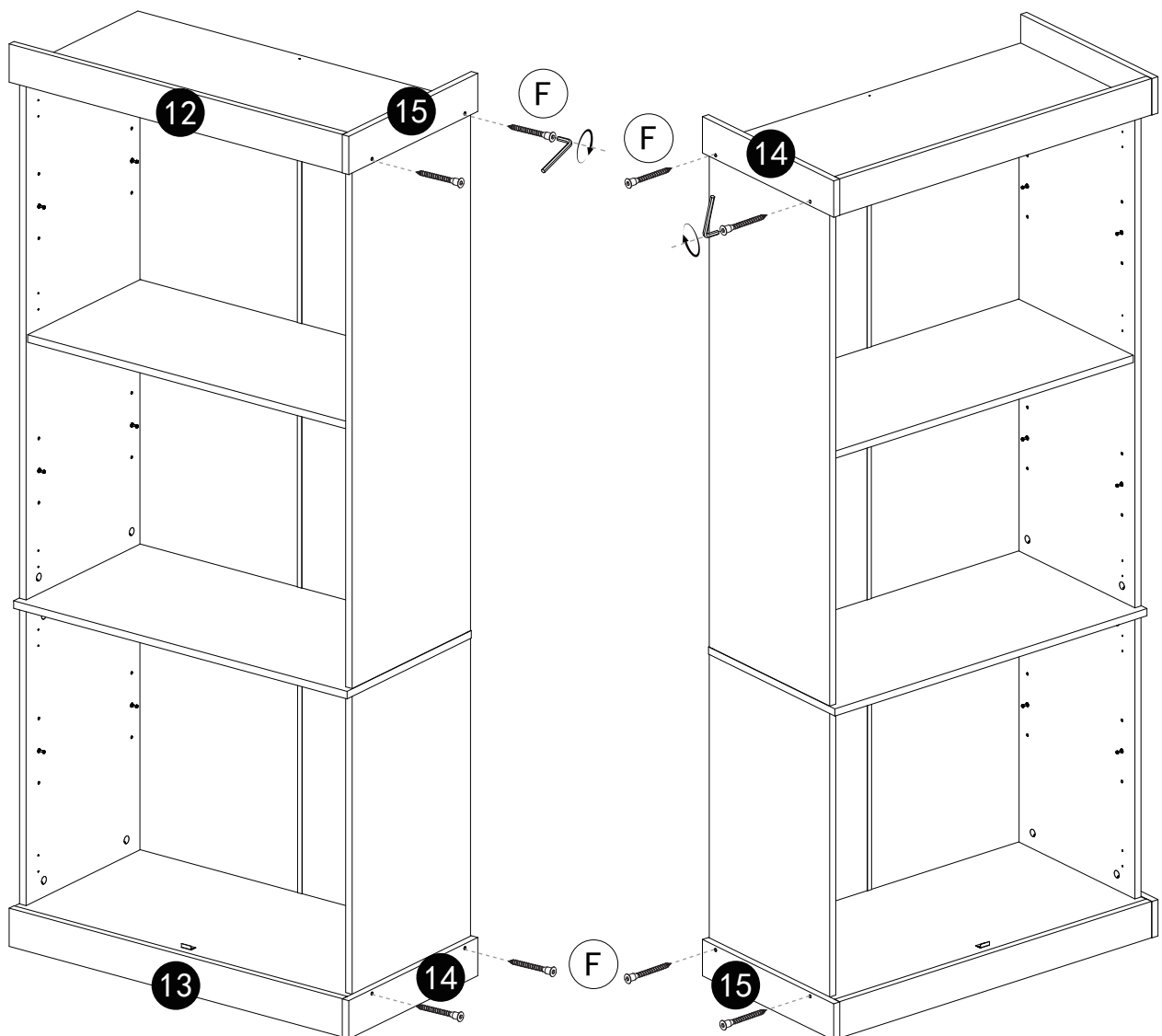
D		x8
---	---	----

# STEP 18



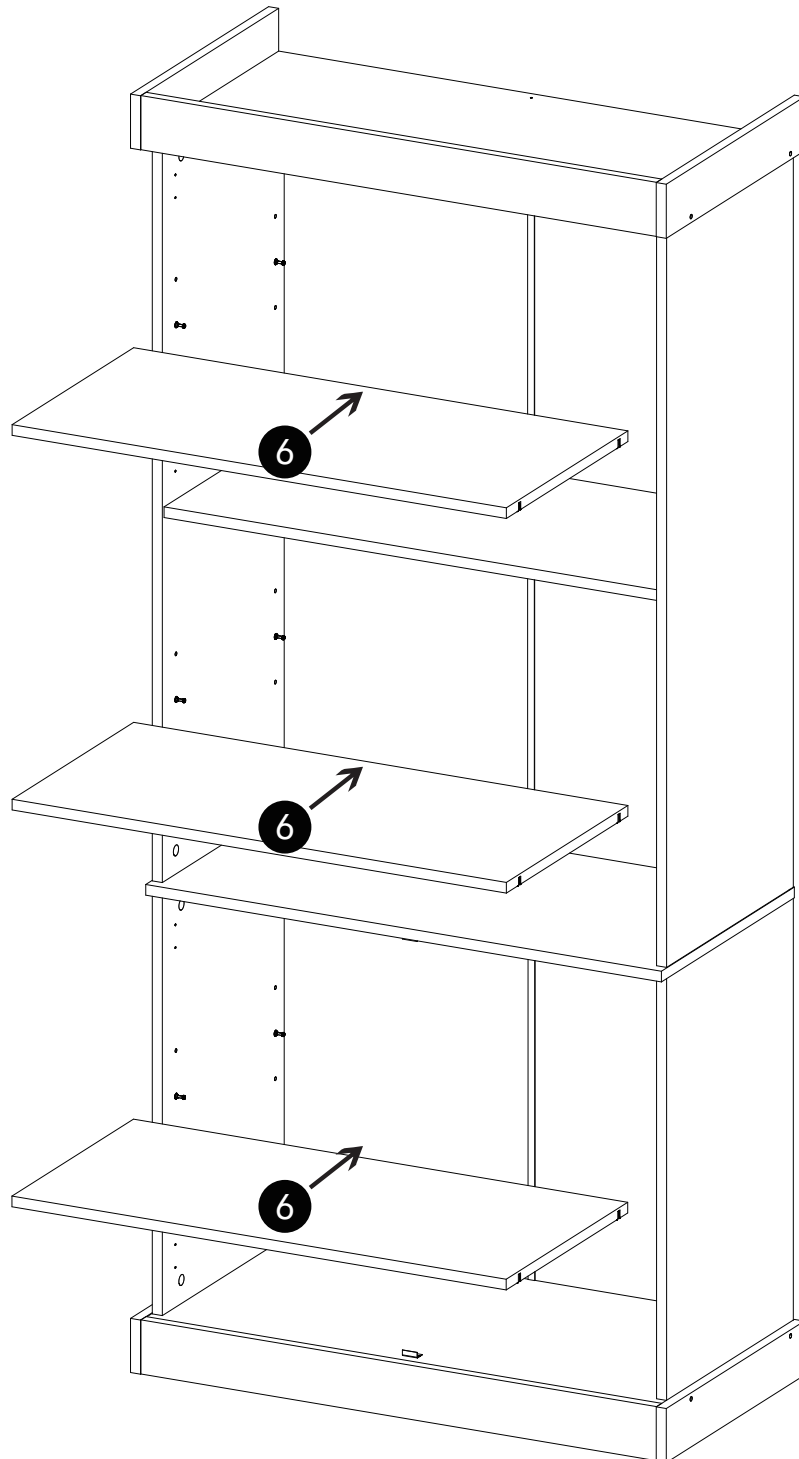
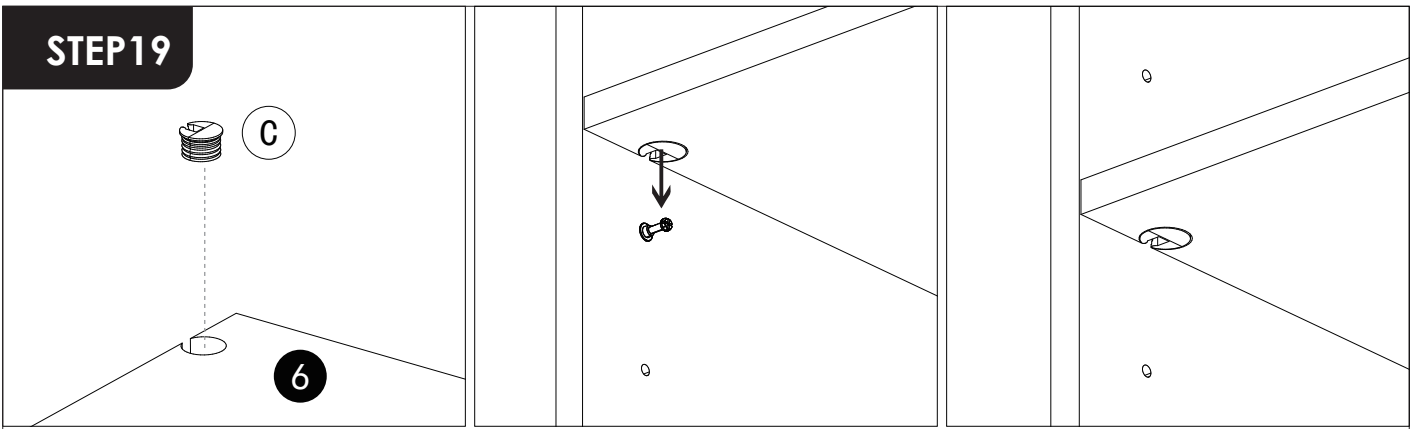
G		x4
---	---	----

**Note:** Plates 14 and 15 with G fittings installed are installed under the cabinet, while plates 14 and 15 without G fittings are installed above the cabinet.



F		x8
---	---	----

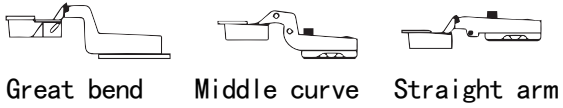
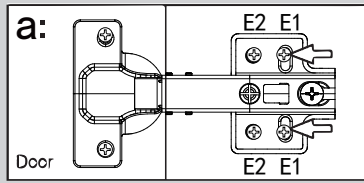
**STEP 19**



# STEP 20

## Hinge adjustment

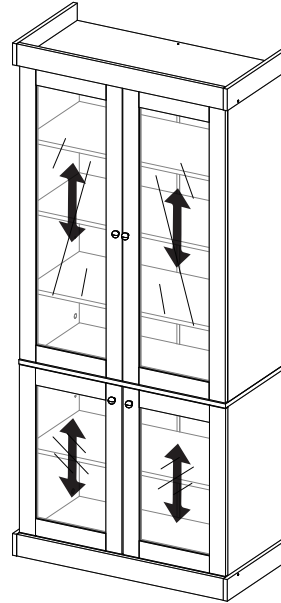
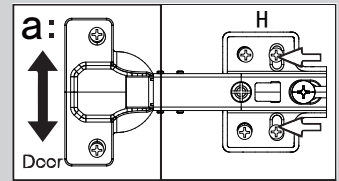
To facilitate the adjustment, install the E1 screw first, and then install the E2 screw.



## Hinge adjustment

a: To move doors up or down: loosen screws shown and move doors to suit.

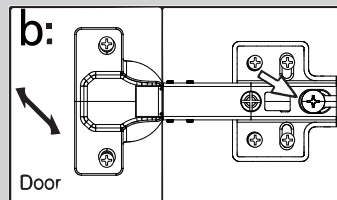
Once doors are aligned, re-tighten Screws H



## Hinge adjustment

b: To move doors in or out: loosen screw shown and move doors to suit.

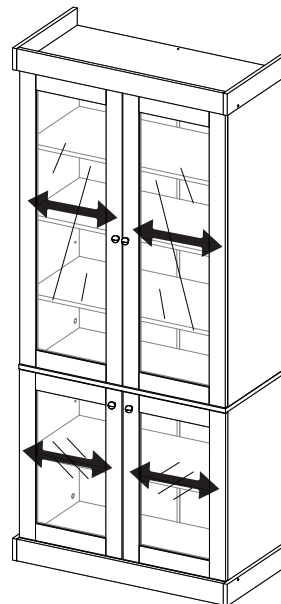
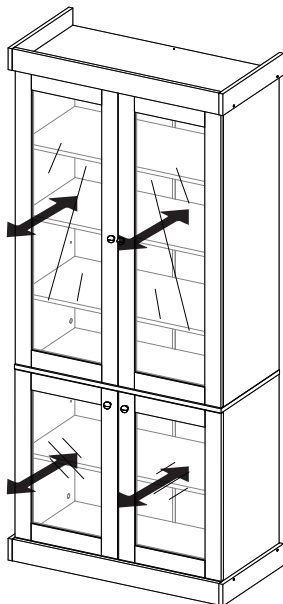
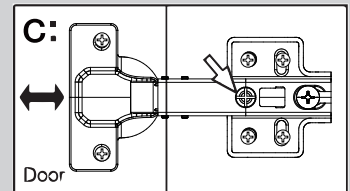
Re-tighten screws



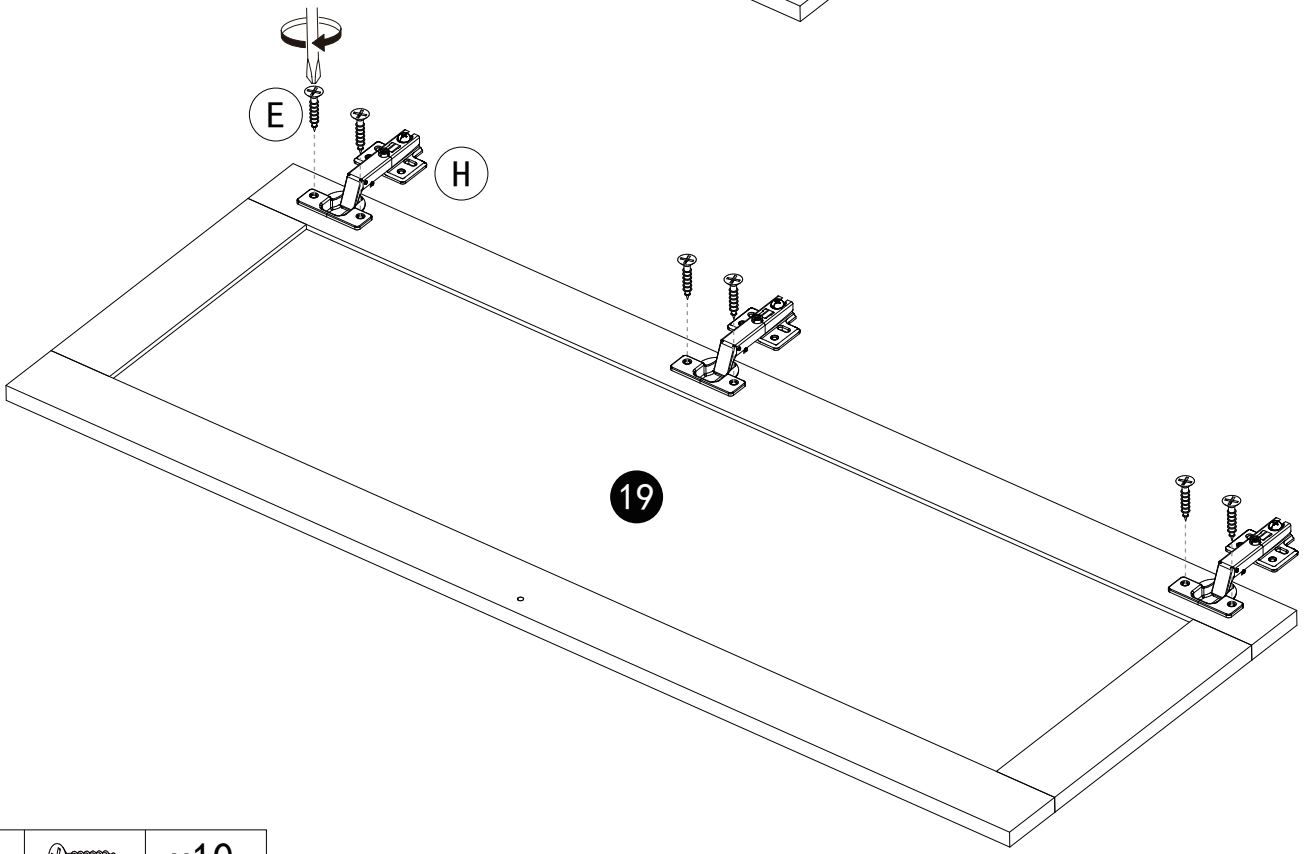
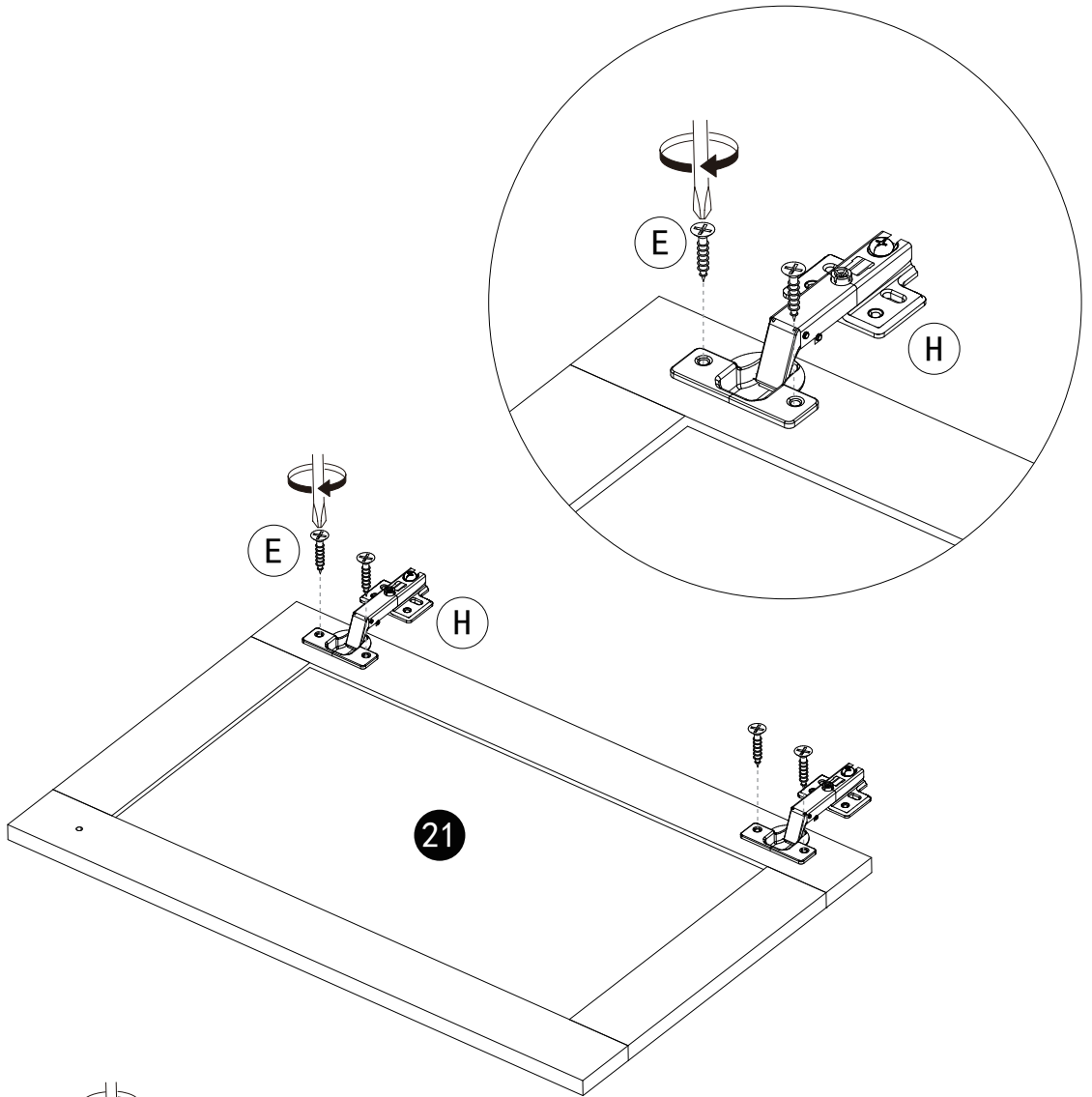
## Hinge adjustment



c: To move doors left or right: loosen screw shown and move doors to suit.

Re-tighten screws

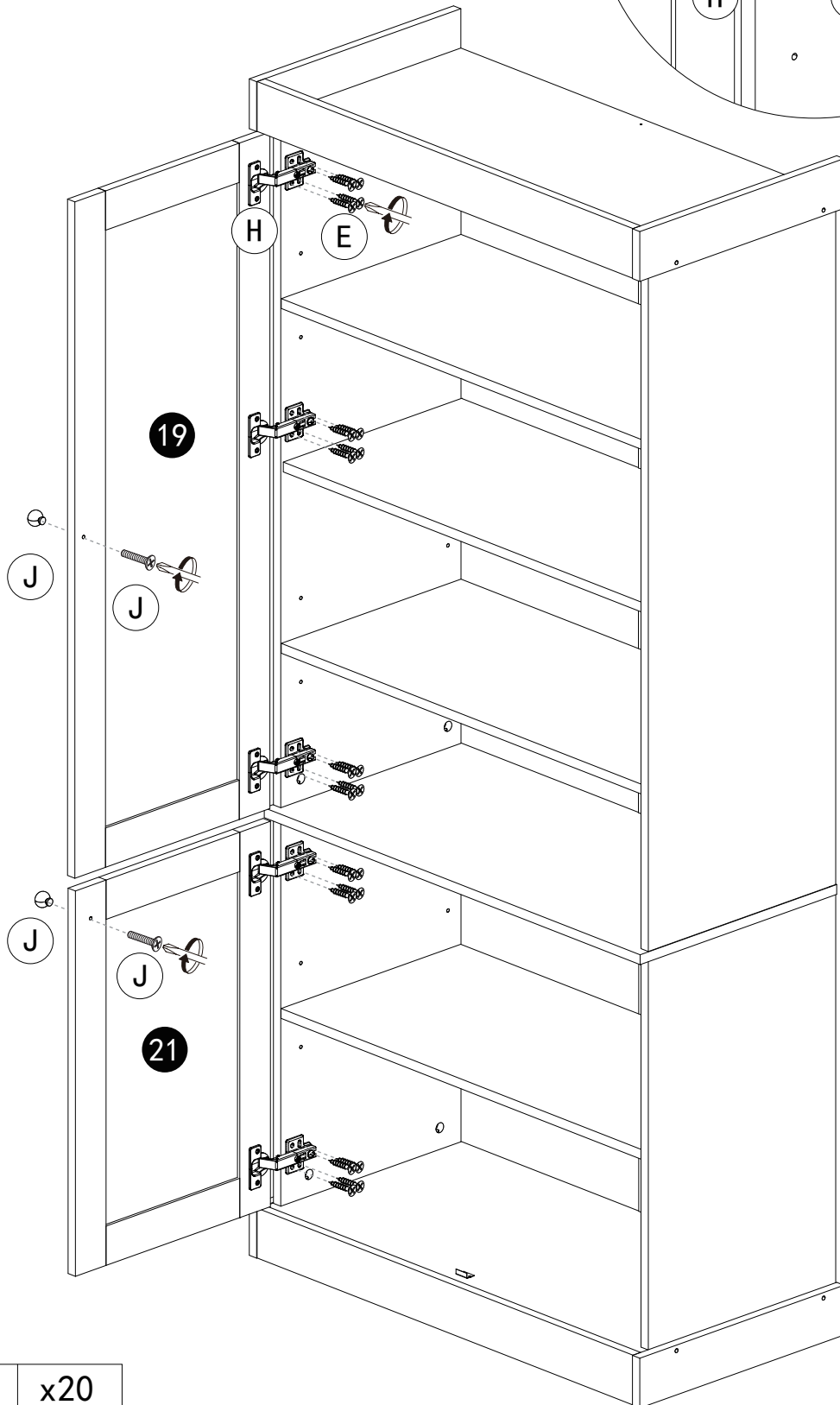
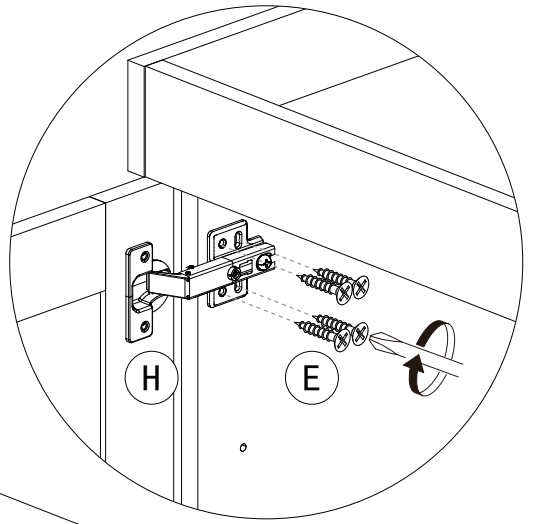


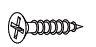

# STEP 21



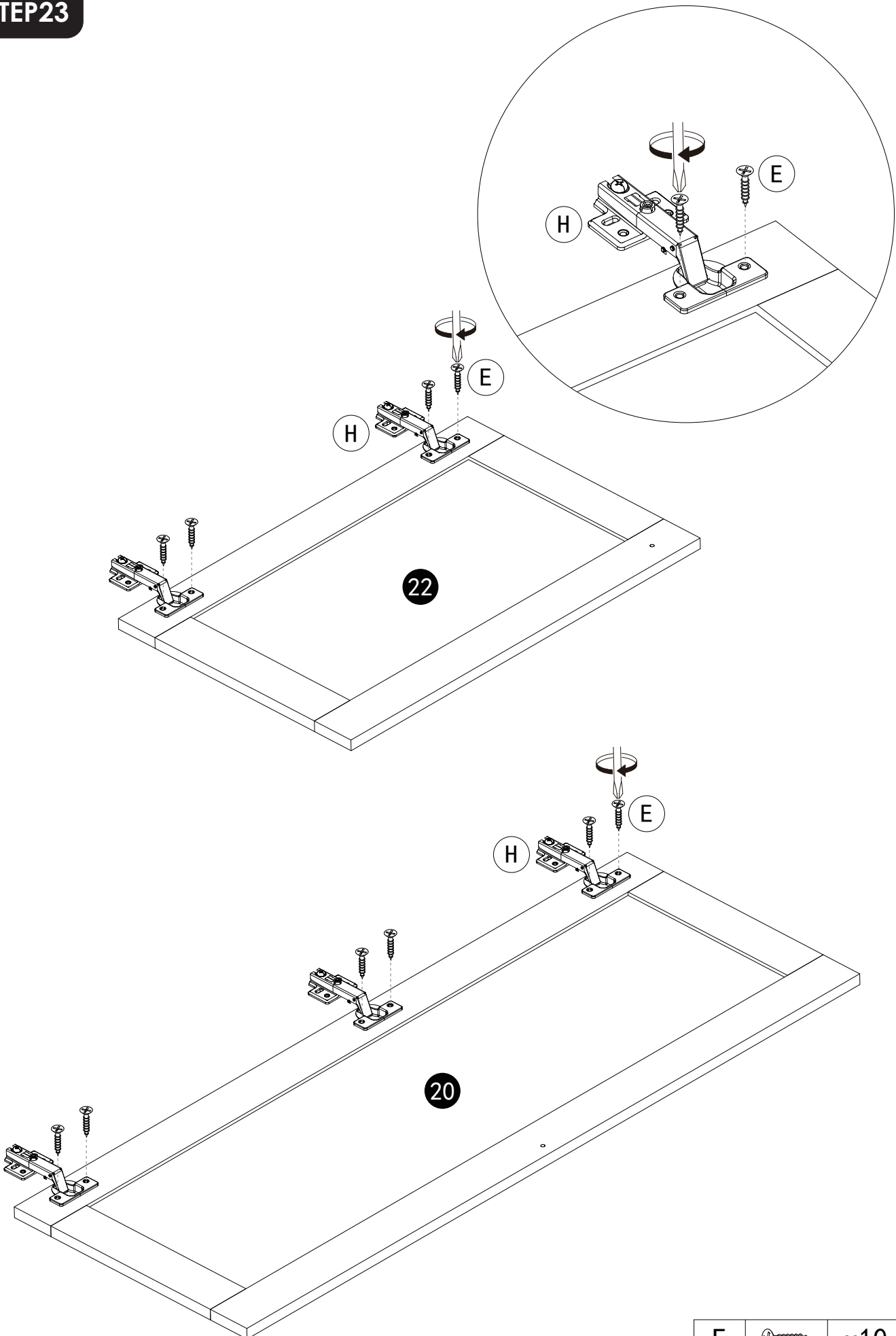
E		x10
H		x5



**STEP 22**



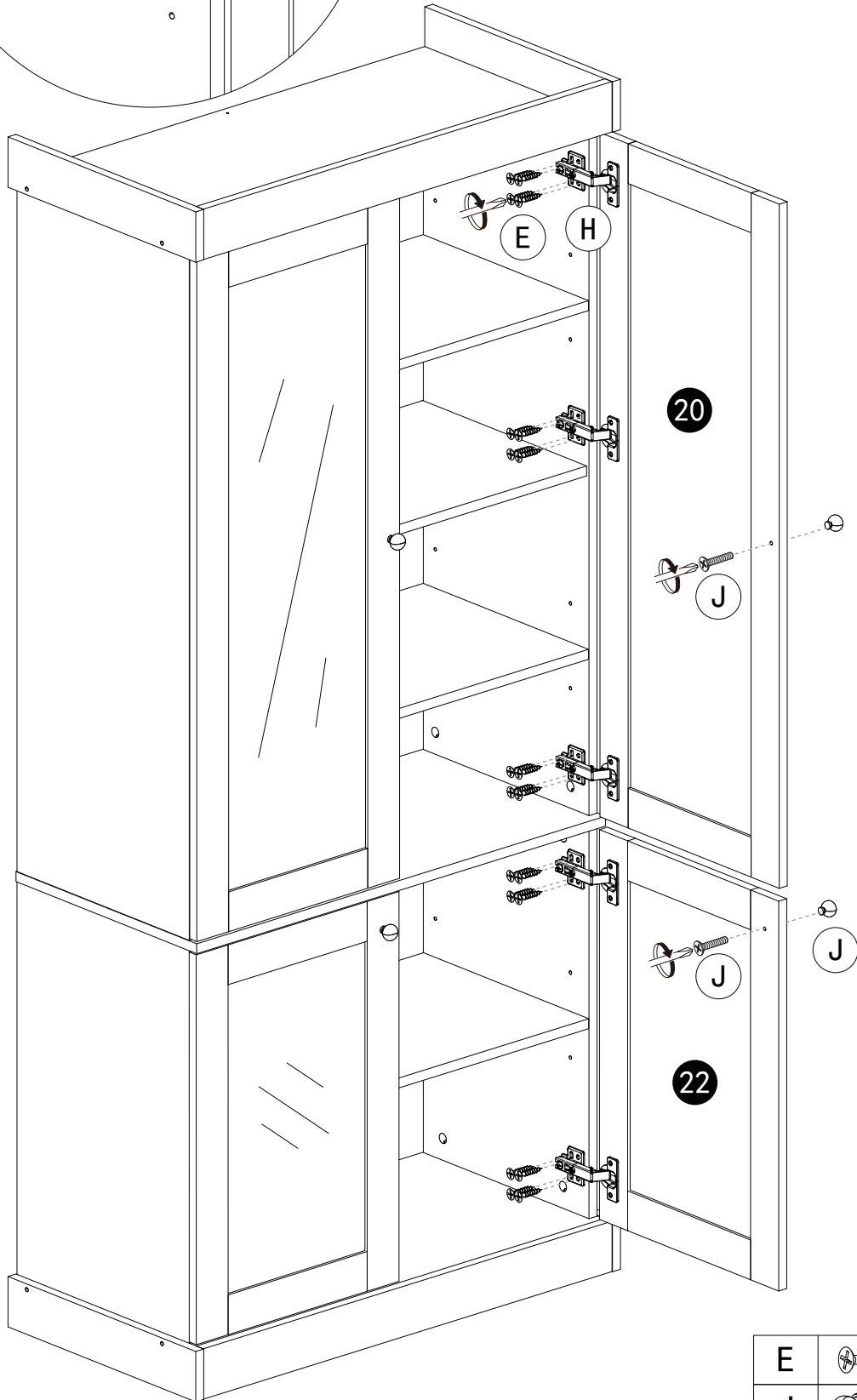
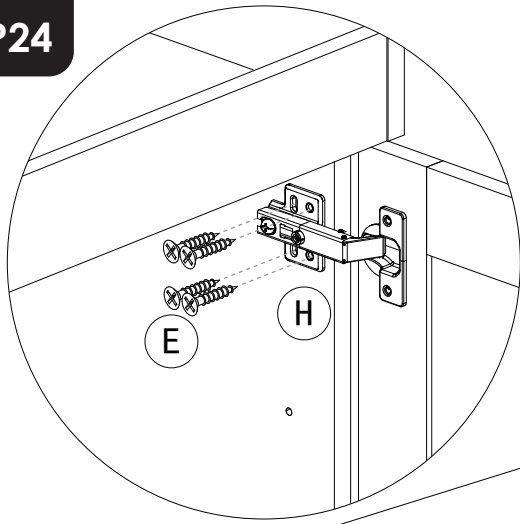
E		x20
J		x2



**STEP 23**

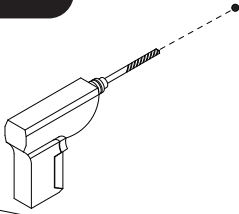
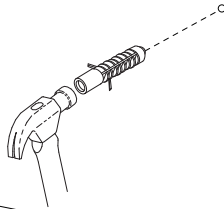
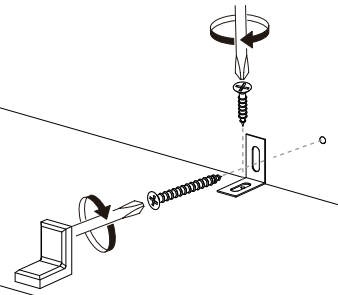


E		x10
H		x5

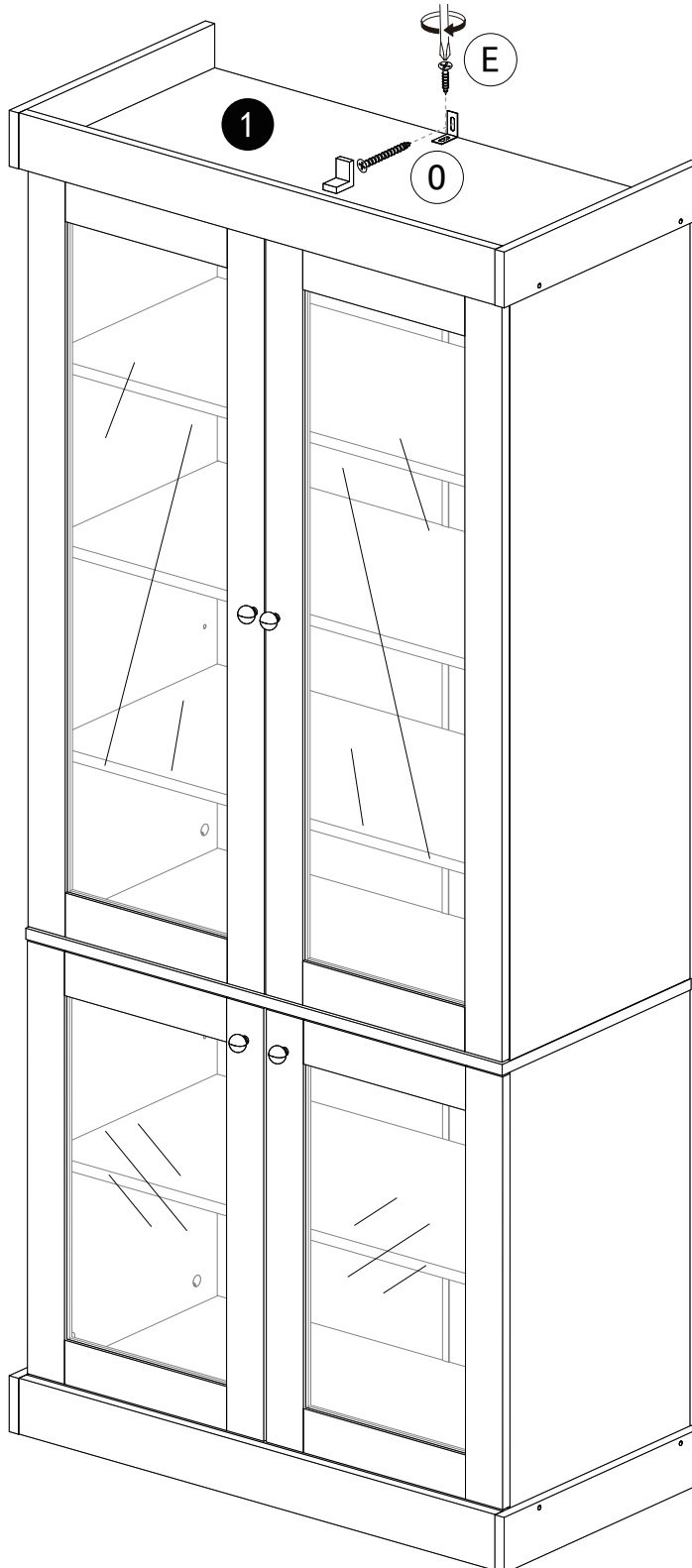
# STEP 24

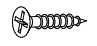



E		x20
J		x2

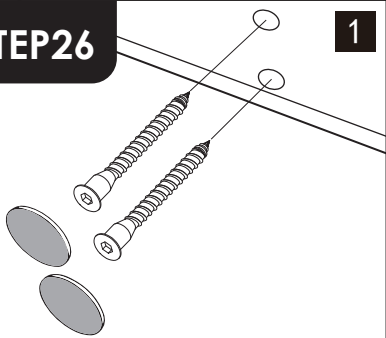
**STEP25****1****2****3**

Note: If you buy two cabinets to be combined together, please do not install this step.



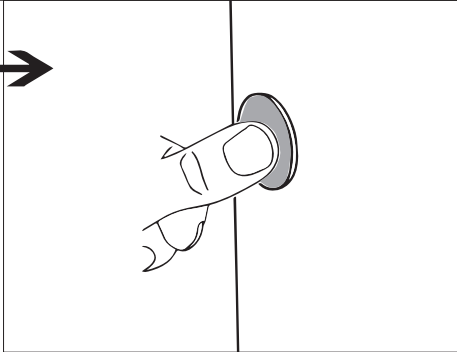
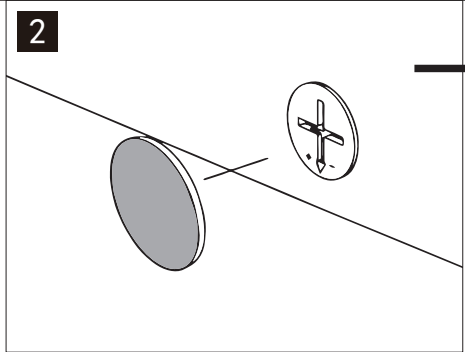
E		x1
0		x1

**STEP 26**

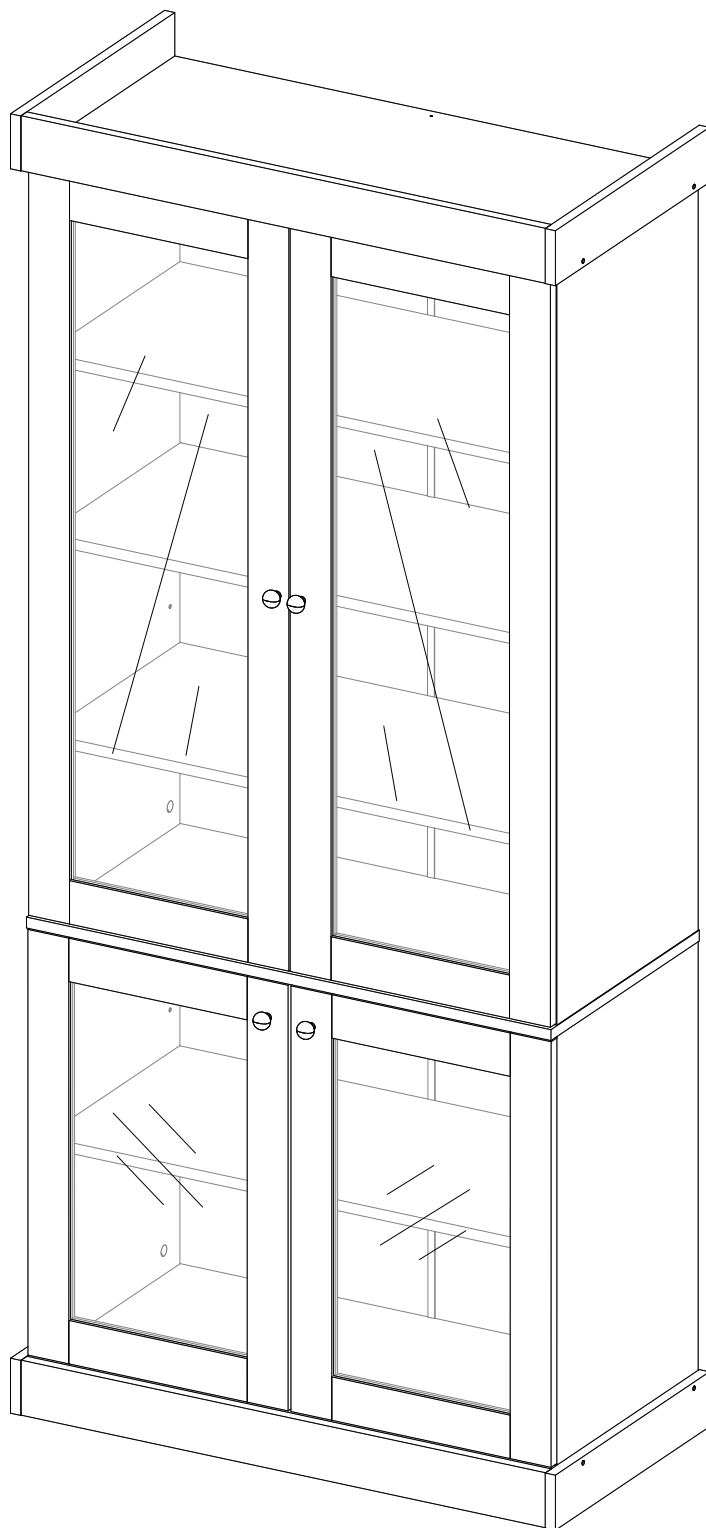


**1**

**2**



Add L fittings to all exposed holes on the front of the product



L



x20