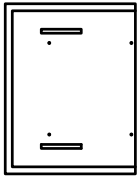


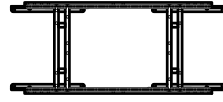
J22 ASSEMBLY INSTRUCTION



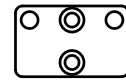
A × 2pcs



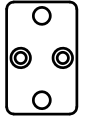
B × 1pc



C × 1pc



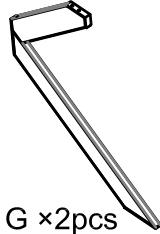
D × 2pcs



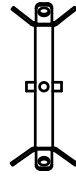
E × 2pcs



F × 2pcs



G × 2pcs



H × 1pc

+Spare×2



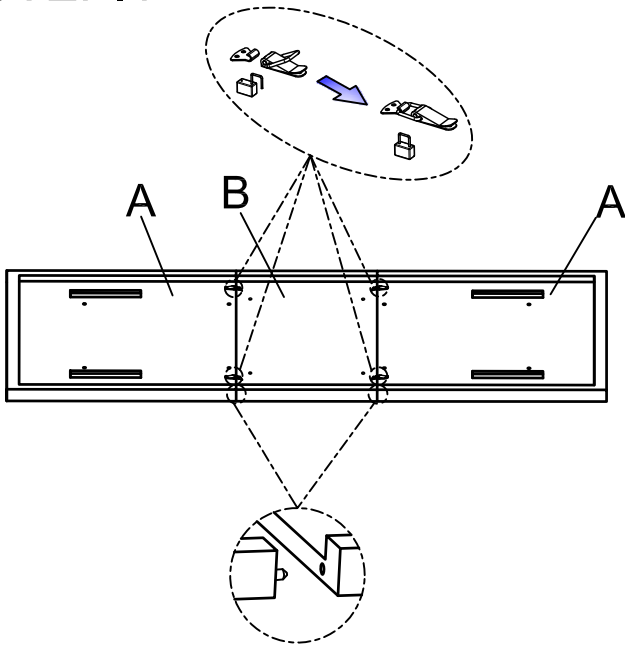
I × 10pcs
M8*16mm

+Spare×2

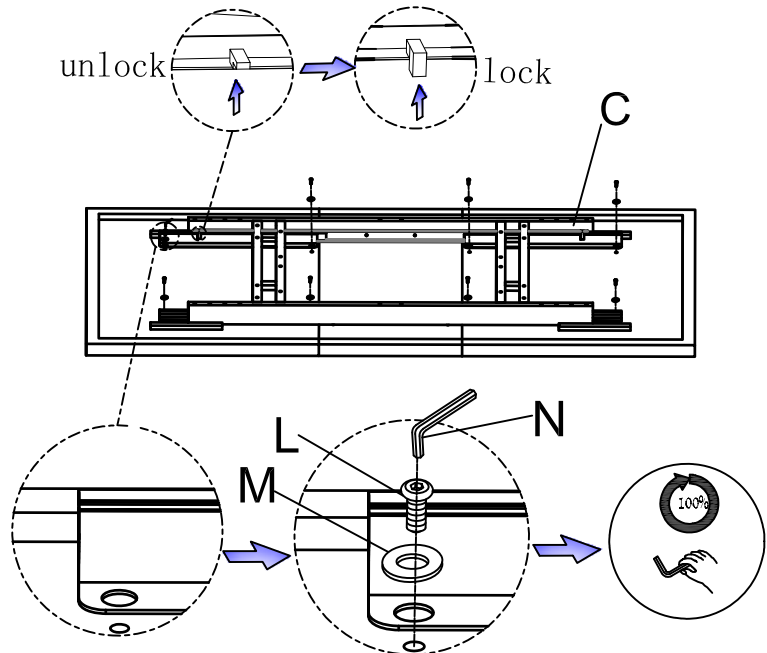


J × 10pcs
M8*16mm

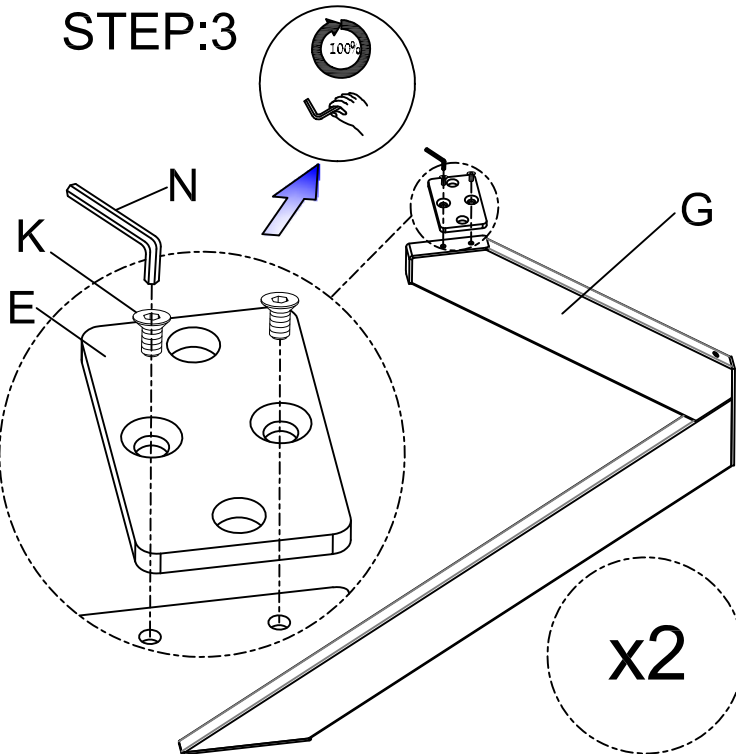
STEP:1



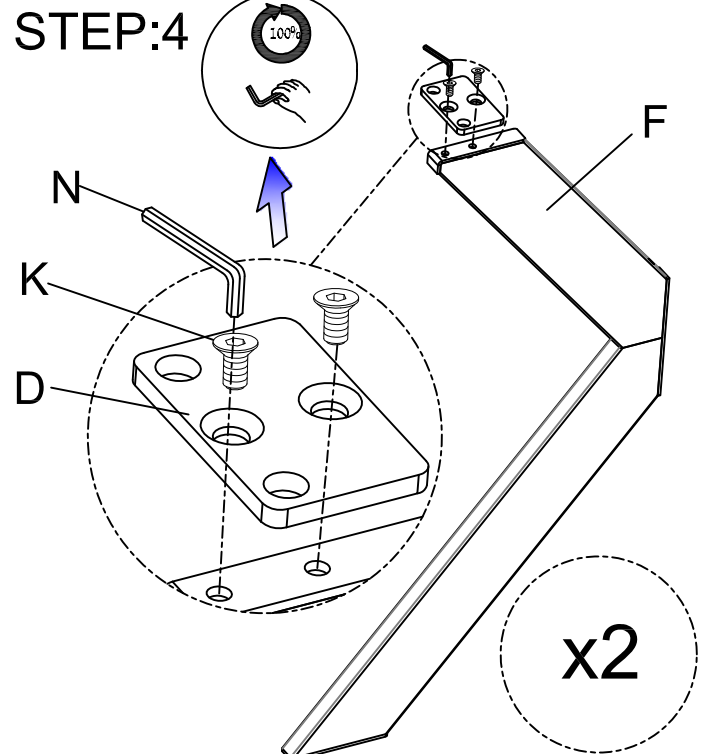
STEP:2



STEP:3



STEP:4



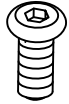
J22 ASSEMBLY INSTRUCTION

+Spare×2



K×10pcs
M8*12mm

+Spare×2

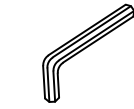


L×10pcs
M8*16mm

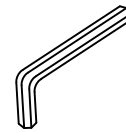
+Spare×2



M×10pcs
ø8/ø16×2mm

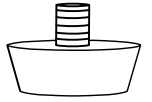


N×1pc
#5



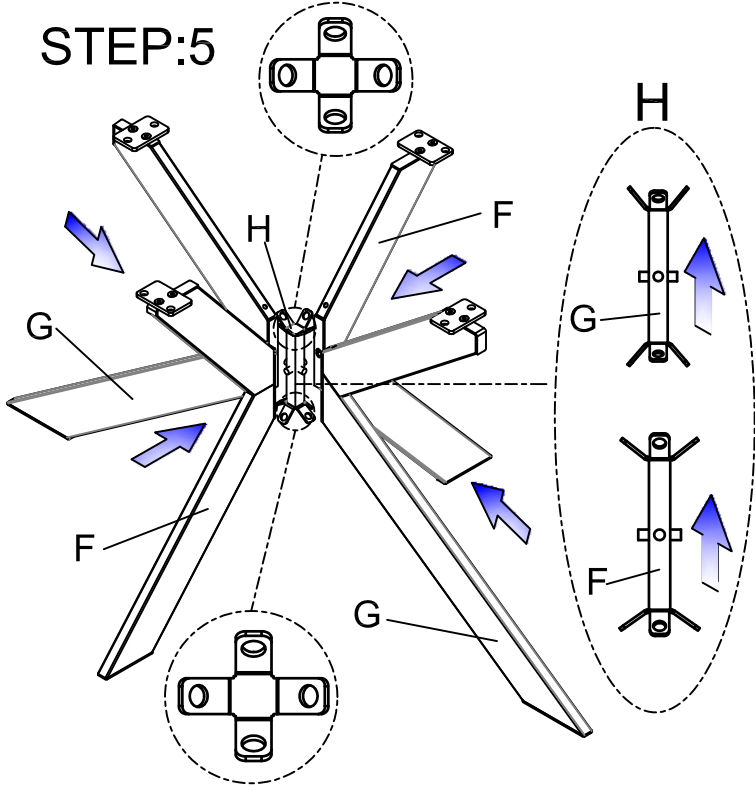
O×1pc
#6

+Spare×1

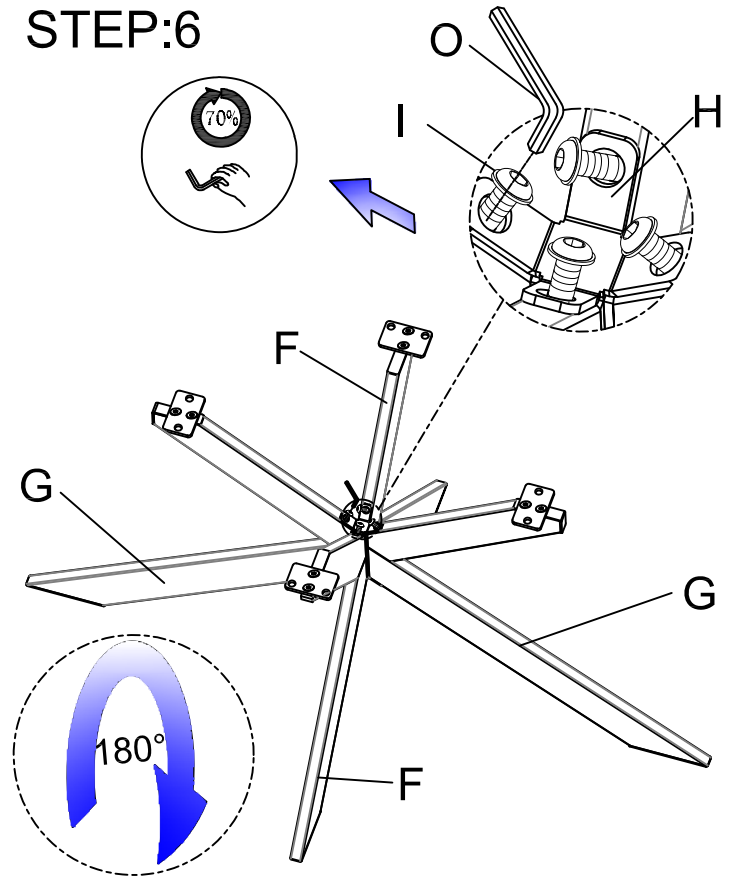


P×1pc

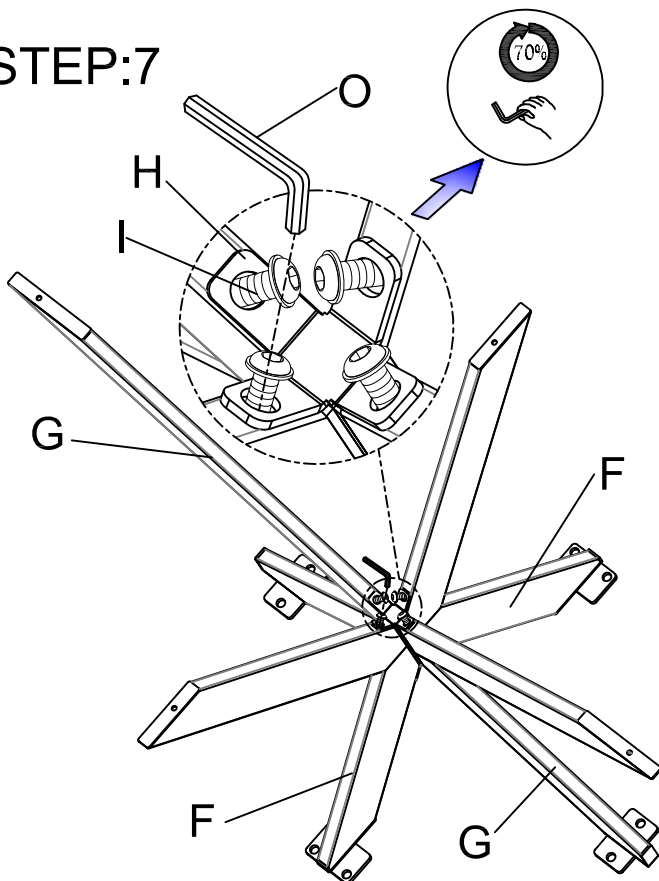
STEP:5



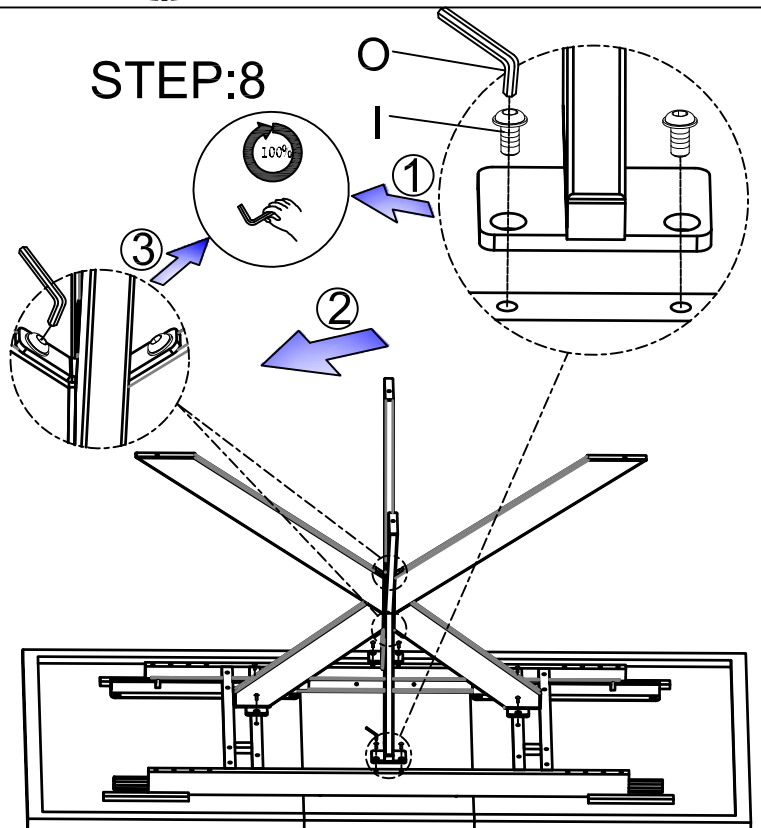
STEP:6



STEP:7

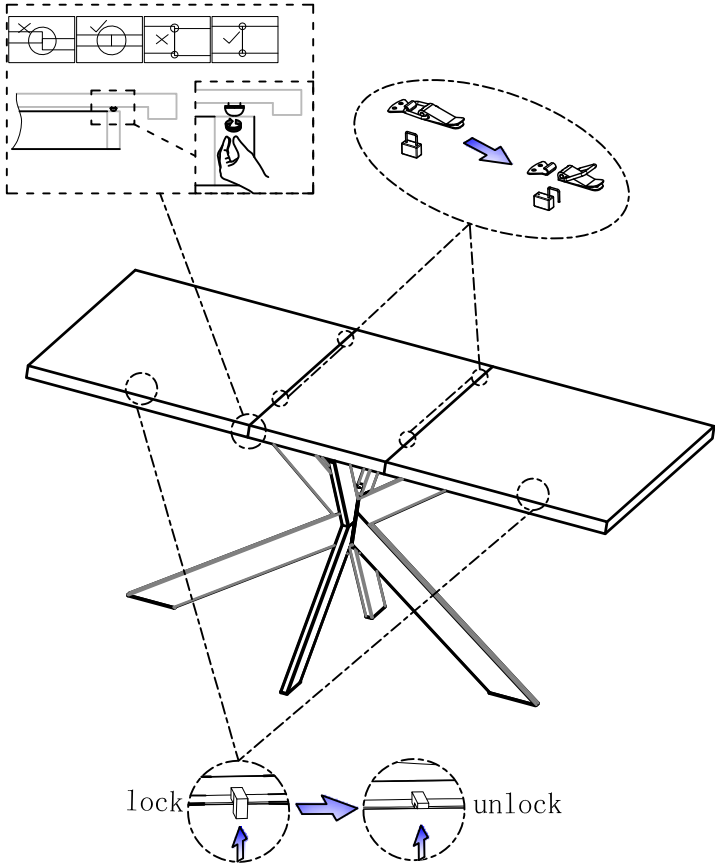


STEP:8

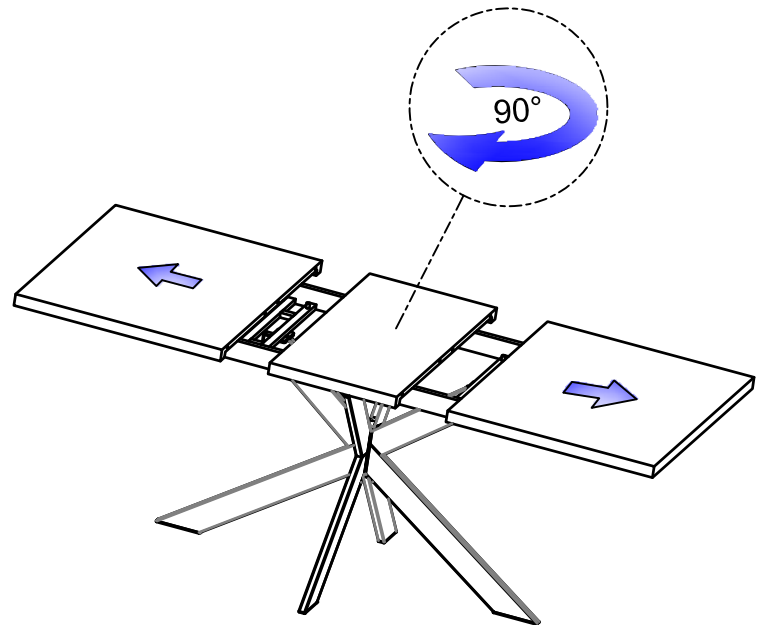


J22 ASSEMBLY INSTRUCTION

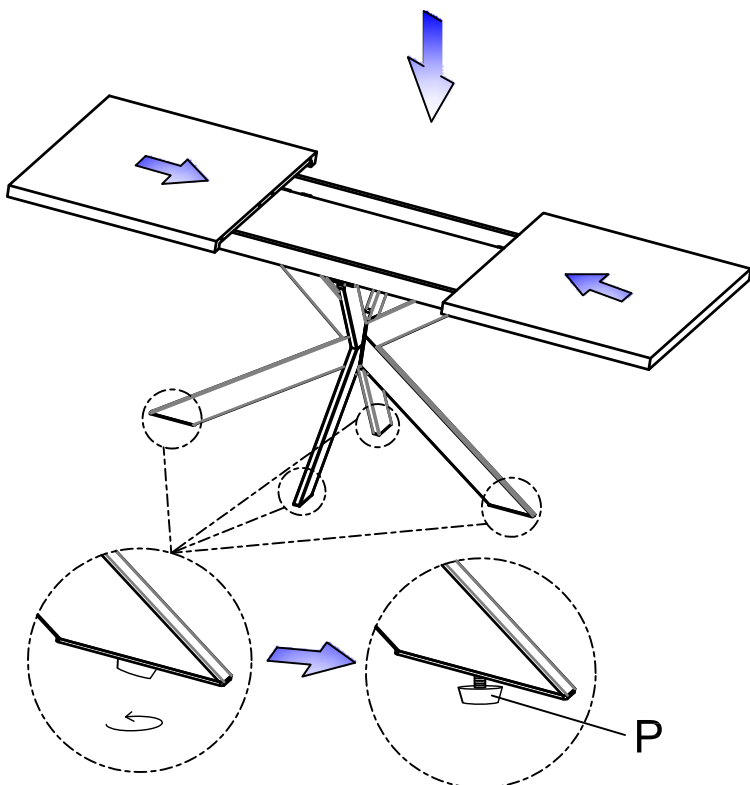
STEP:9



STEP:10



STEP:11



STEP:12

