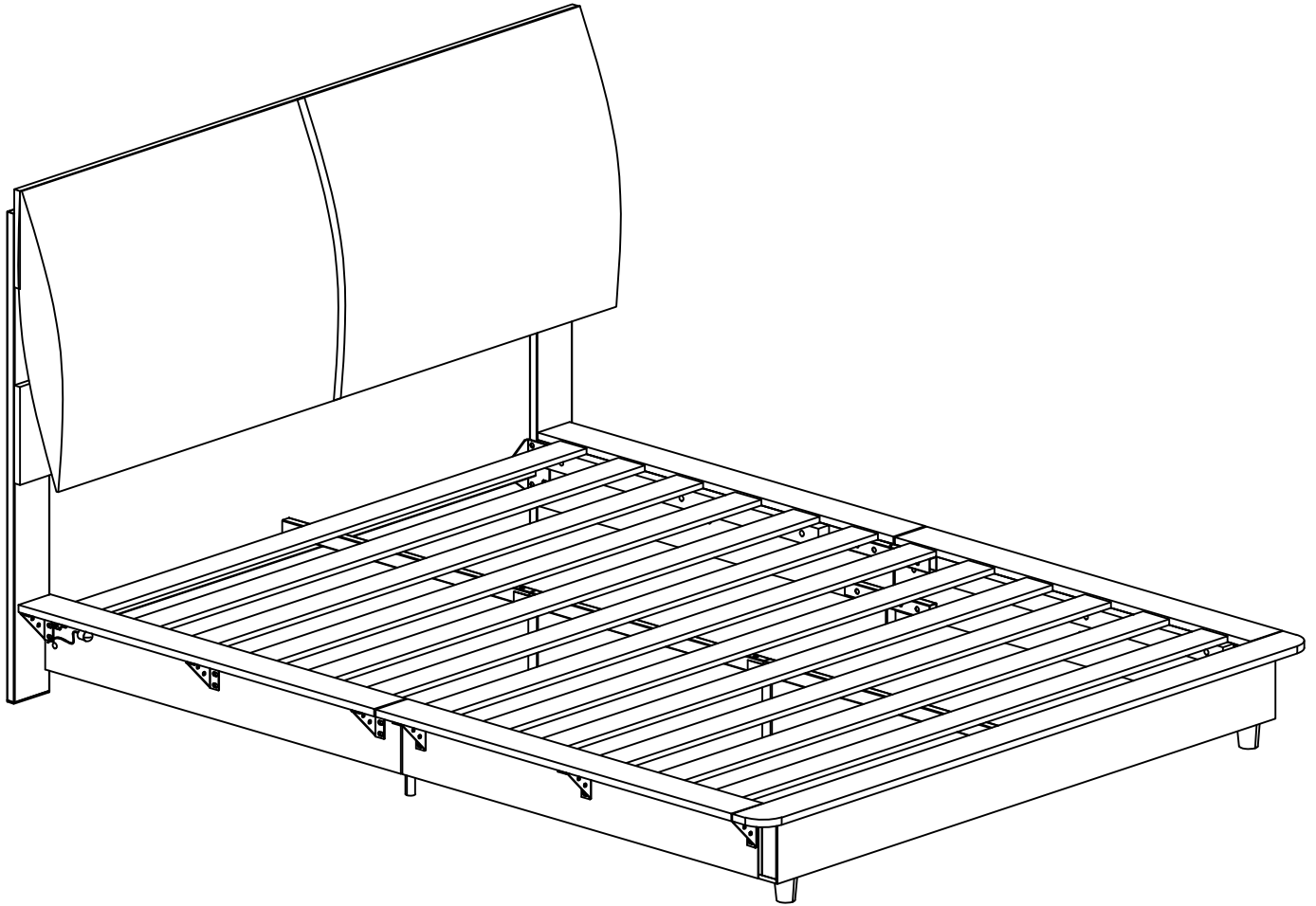


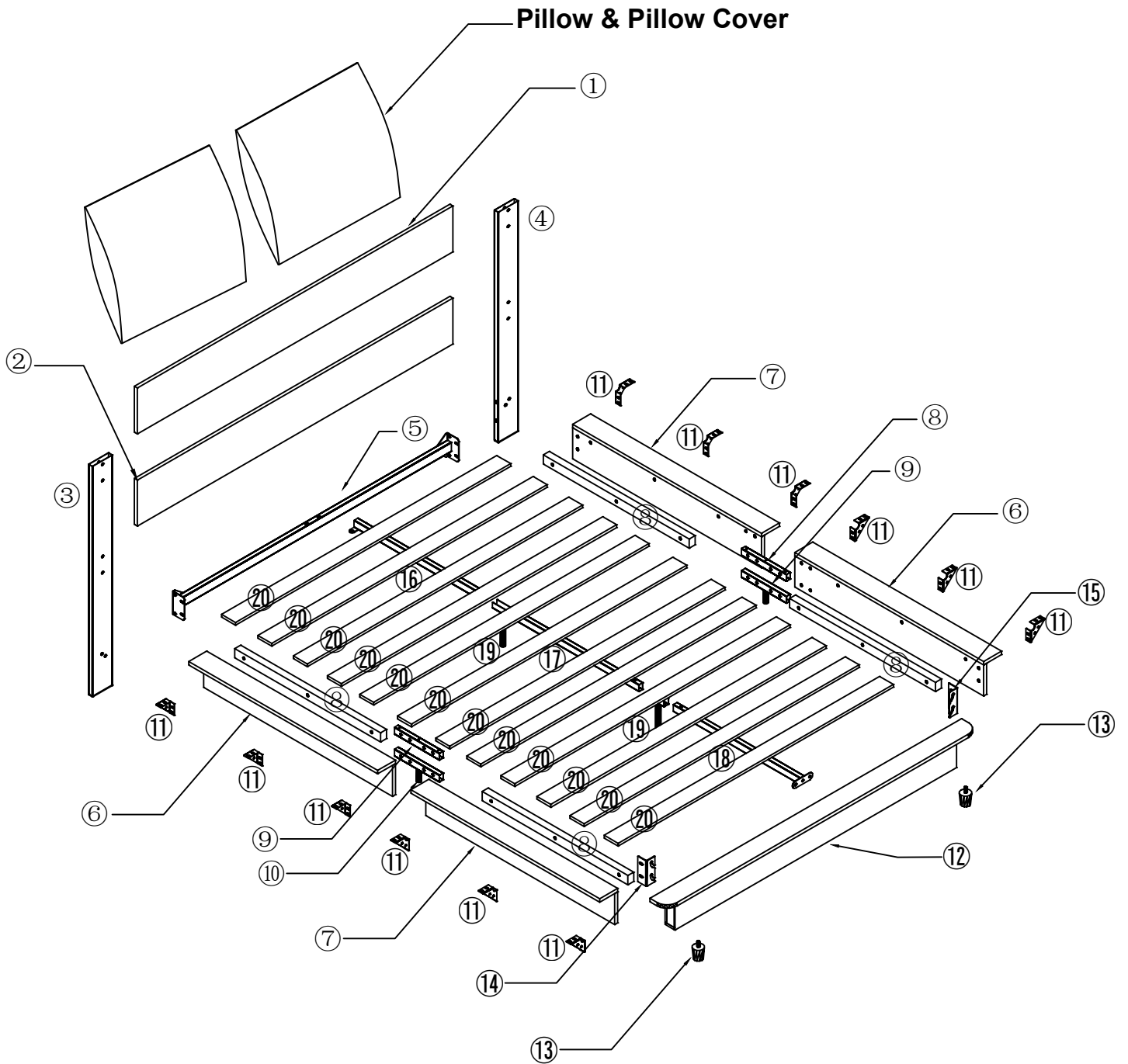
# Assembly Instruction

## SKU: WF315030



- This manual can be used for both Queen and Full Size bed frame. If you have any queries during assembling, please feel free to contact us.
- About Motion Activate LED Light:  
Sensor activated distance: 3ft-9ft  
Lighting interval: 30 seconds.  
Output: 24V / 2A 60Hz 28-30W  
**CAUTION: To reduce the risk of electric shock.**
- Use only indoor in dry locations.
- Suitable for Household (Residential) use only.  
**ATTENTION: Pour réduire le risque de choc électrique. -Utiliser uniquement à l'intérieur dans des endroits secs.**
- Approprié à l'usage domestique (résidentiel) seulement

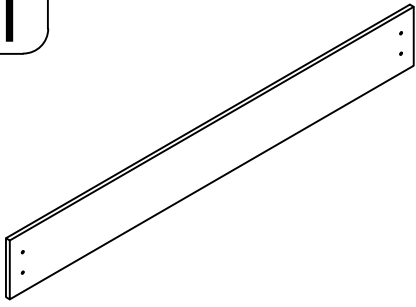
# Instruction Overview



- |                      |                   |                      |
|----------------------|-------------------|----------------------|
| ① Headboard with Zip | ⑧ Slats Supporter | ⑭/⑮ L/R Rear Bracket |
| ② Headboard          | ⑨ Rails Connector | ⑯ Center Bar Front   |
| ③ Headboard Leg(L)   | ⑩ Side Legs       | ⑰ Center Bar Middle  |
| ④ Headboard Leg(R)   | ⑪ Triangle Brace  | ⑱ Center Bar Rear    |
| ⑤ Legs Connector     | ⑫ Rear Board      | ⑲ Center Bar Legs    |
| ⑥/⑦ Side Rails       | ⑬ Rear Legs       | ⑳ Wood Slats         |

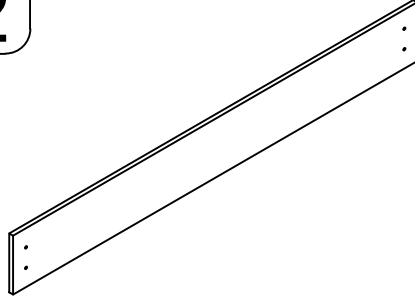
# PART LIST-1

1



Headboard with zipper - 1 pc

2



Headboard - 1 pc

3



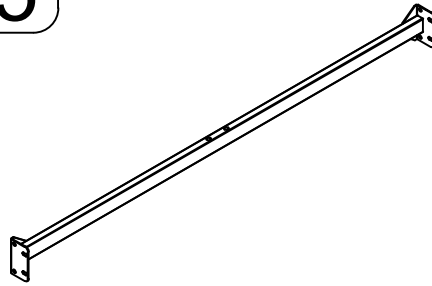
Headboard Leg Left - 1 pc

4



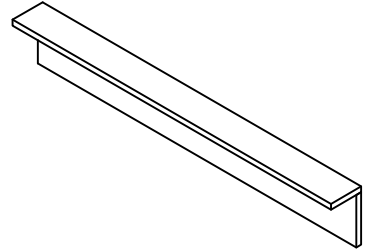
Headboard Leg Right - 1 pc

5



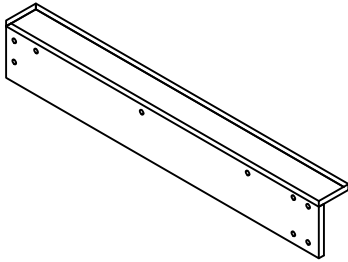
Headboard Cross Bar - 1 pc

6



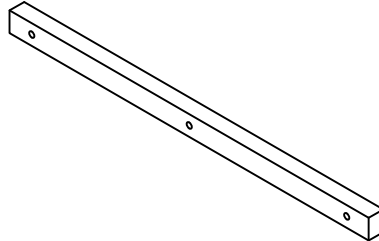
Side Rail A - 2 pcs

7



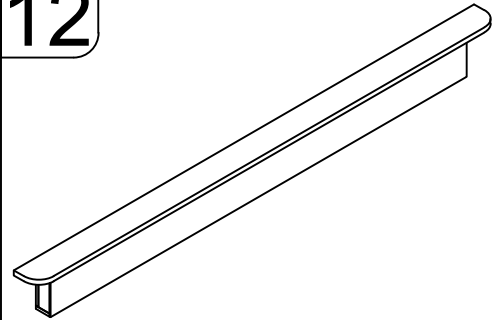
Side Rail B - 2 pcs

8



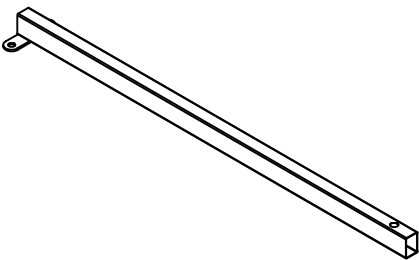
Slats Supporter - 4 pcs

12



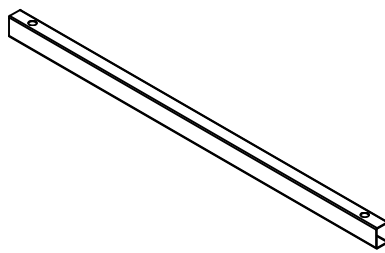
Rear Board - 1 pc

16



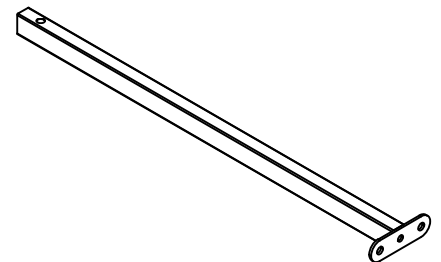
Center Bar Front - 1 pc

17



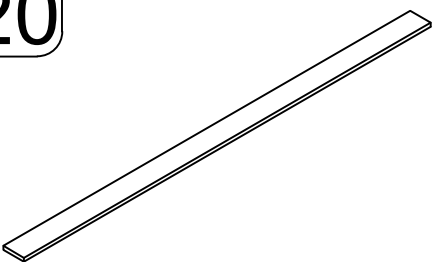
Center Bar Middle - 1 pc

18

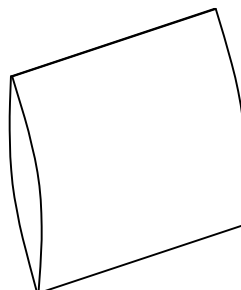


Center Bar Rear - 1 pc

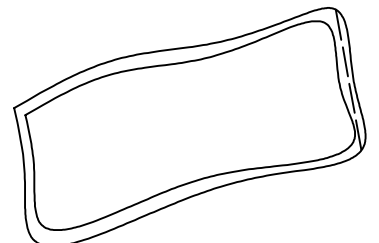
20



Wood Slats- 12 pc (2 bundles)

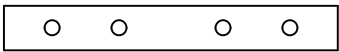
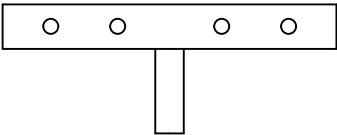
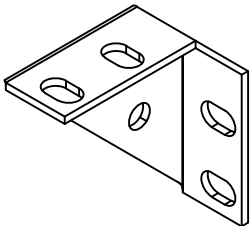
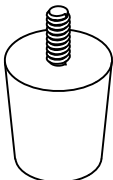
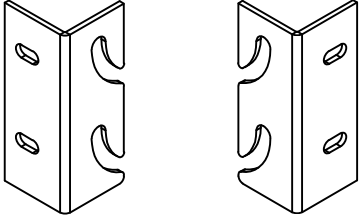
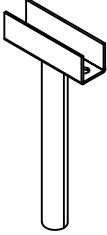


Pillow Cover - 2 pcs

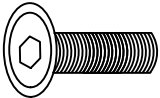
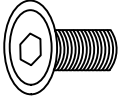
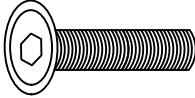


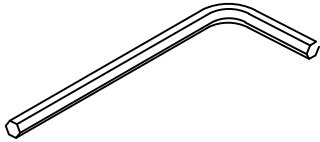

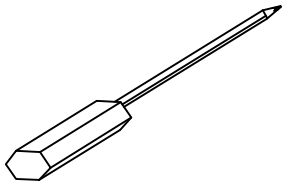


Pillow (Compressed) - 2 pcs


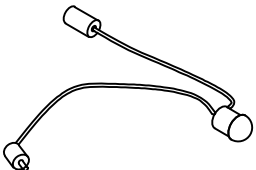
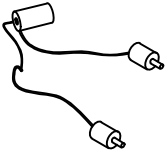
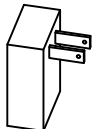
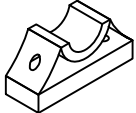
# PART LIST-2



<p><b>9</b></p>  <p>Side Rail Connector - 2 pcs</p>	<p><b>10</b></p>  <p>Side Rail Legs - 2 pcs</p>	<p><b>11</b></p>  <p>Side Rail Brace - 12 pcs</p>
<p><b>13</b></p>  <p>Side Rail Connector - 2 pcs</p>	<p><b>14</b></p>  <p>Left - 1 pc      Right - 1 pc Rear Bracket</p>	<p><b>15</b><b>19</b></p>  <p>Center Bar Legs - 2 pcs</p>

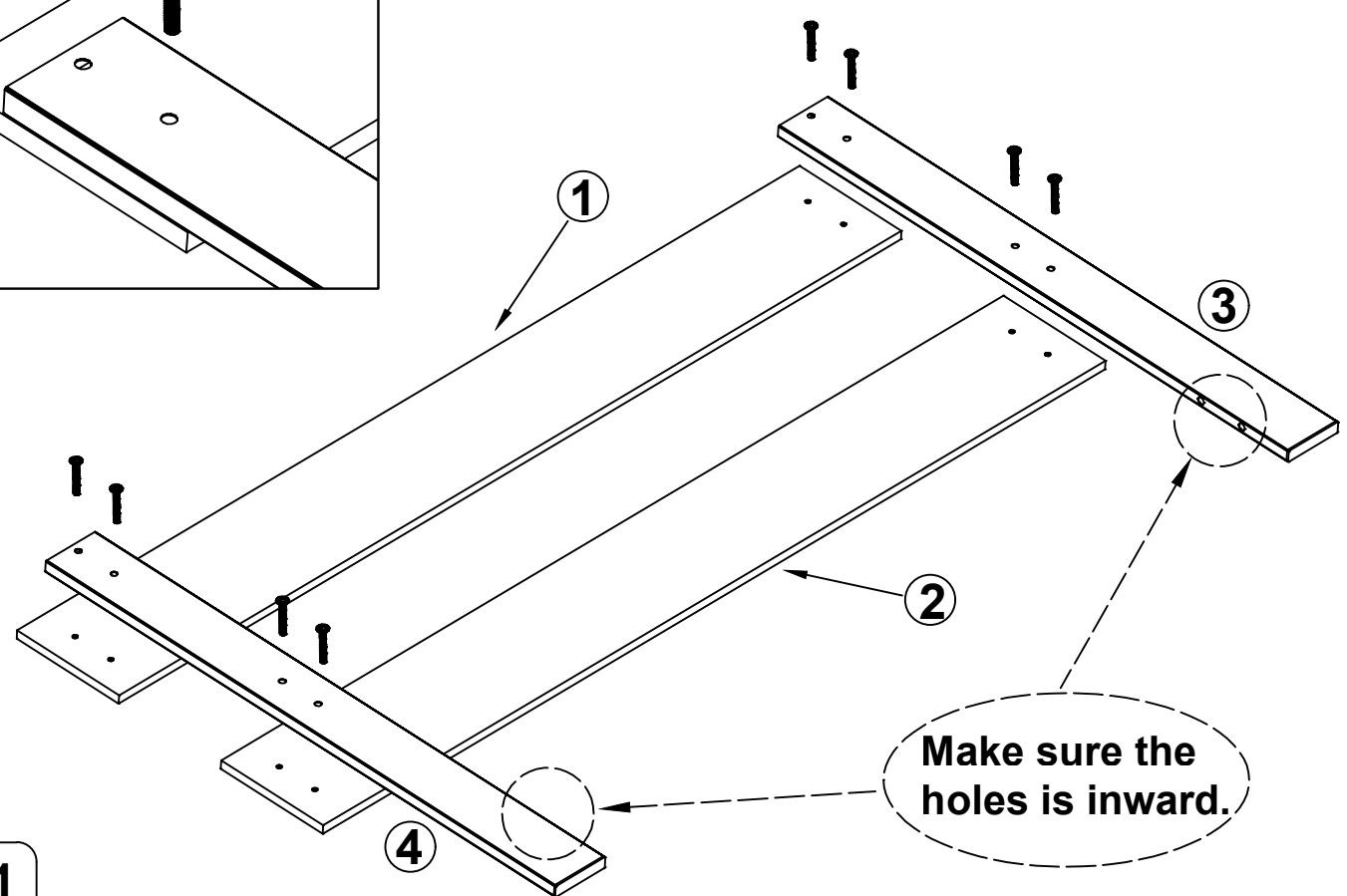
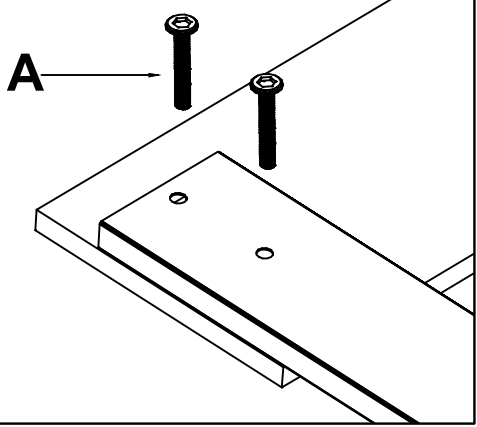
# HARDWARE LIST

<p><b>A</b></p>  <p>M8*35 - 24 pcs</p>	<p><b>B</b></p>  <p>M8*16 - 20 pcs</p>	<p><b>C</b></p>  <p>M8*45 - 16 pcs</p>	<p><b>D</b></p>  <p>M6*16 - 40 pcs</p>
<p><b>E</b></p>  <p>M4*25 Tapping - 8 pcs</p>	 <p>M5 Allen Key for A/B/C</p>	 <p>M4 Allen Key for D</p>	 <p>Handdriver for E</p>


# Motion Activated LED

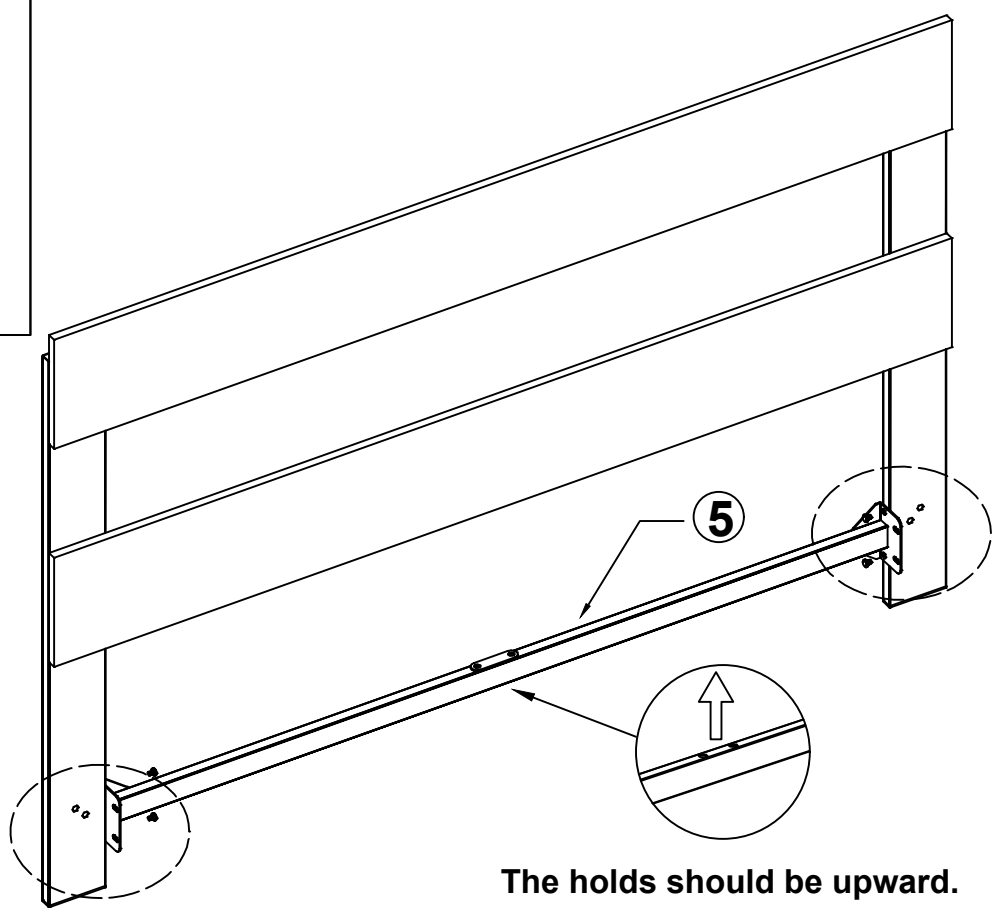
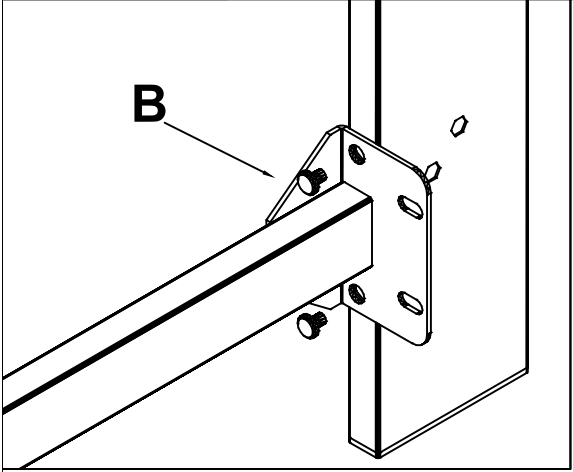
 <p>LED strip</p>	 <p>Sensor x 2</p>	 <p>2 in 1 cord</p>	 <p>Adaptor</p>	 <p>Sensor holder X2</p>
--	---	--	--	---

A		M8x35 - 8 pcs
		M5 Allen Key





**STEP 1**

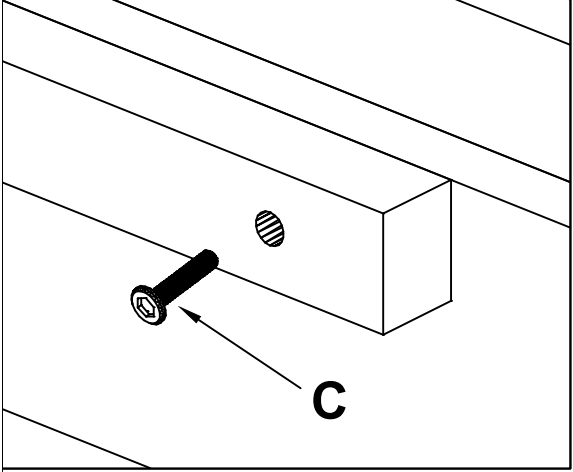
B		M8x16- 4 pcs
		M5 Allen Key



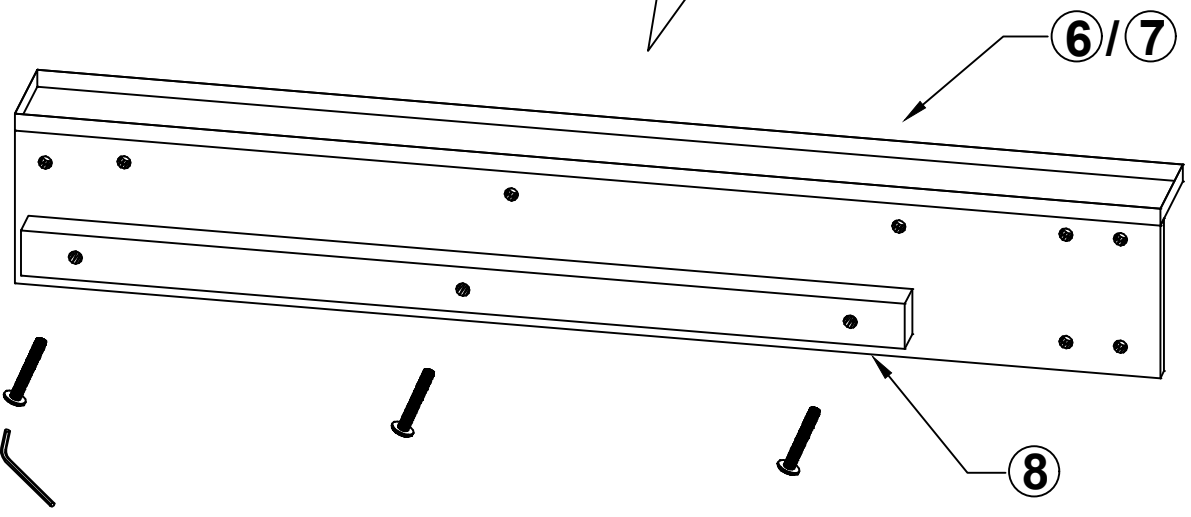
**STEP 2**

The holds should be upward.



 C	M8x45-12 pcs
	M5 Allen Key

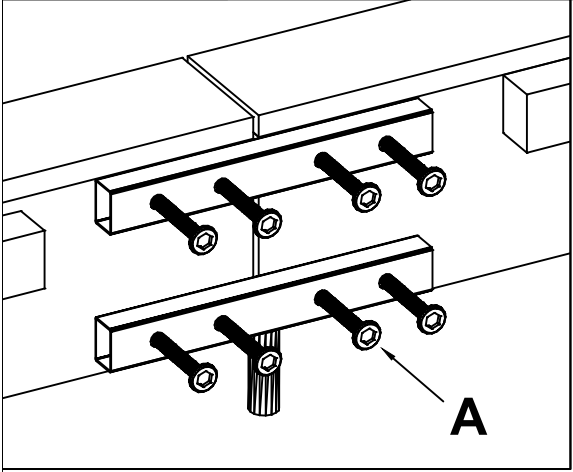


**Assemble**  
 ⑧ on ⑥/⑦

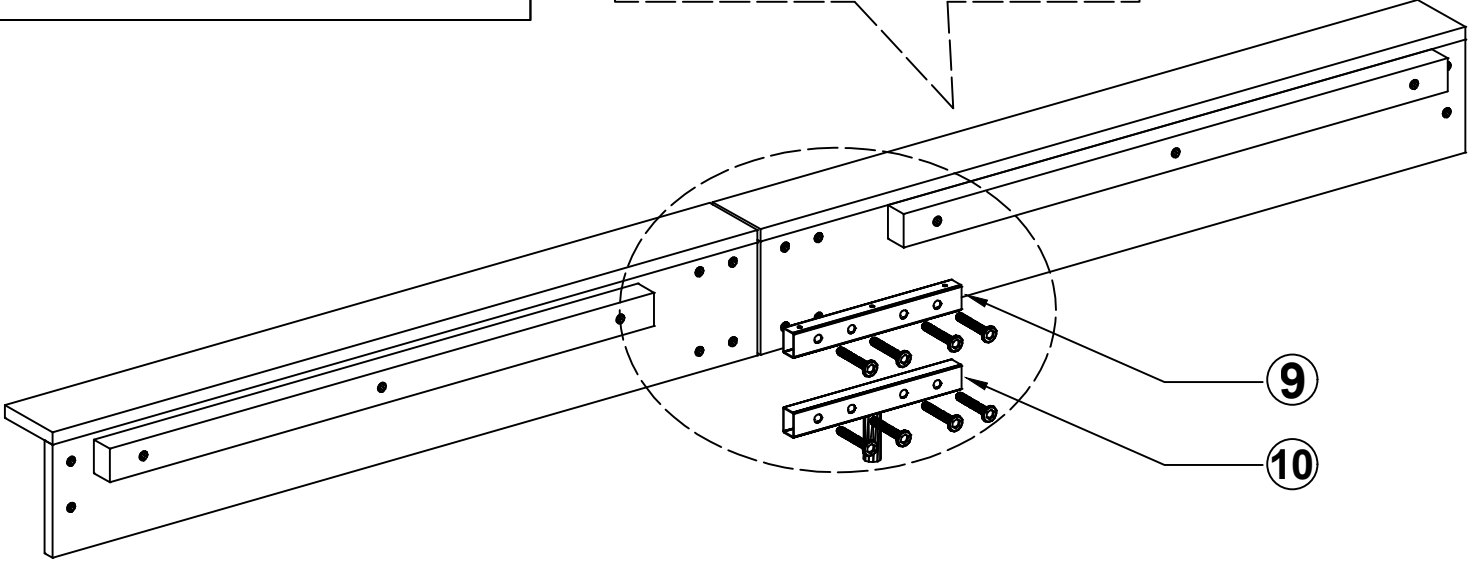


**STEP 3**

 A	M8x35 -16 pcs
	M5 Allen Key



**TIPS**  
 After connecting ⑥/⑦,  
 the full rail can be  
 applied in left or right  
 side of bed frame.



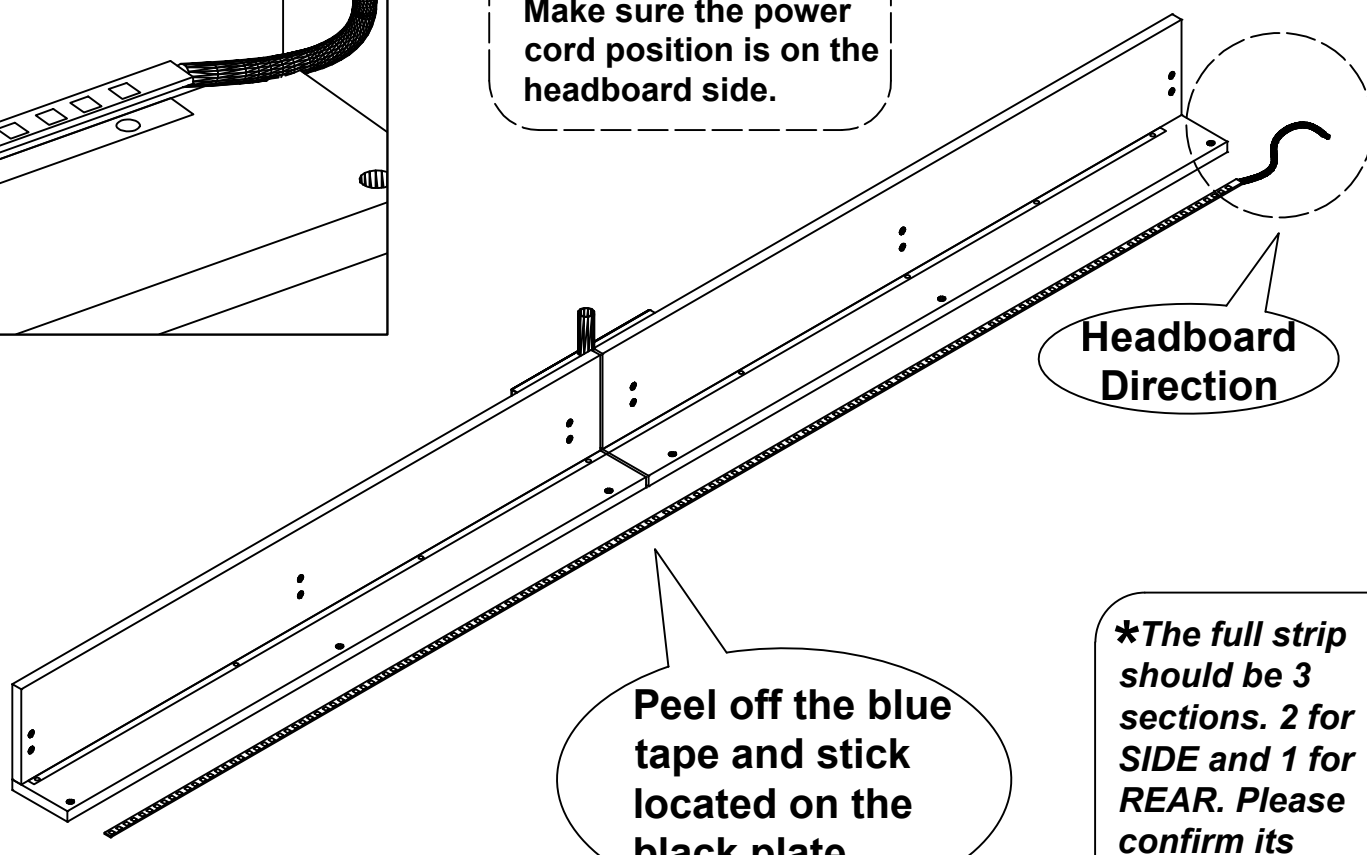
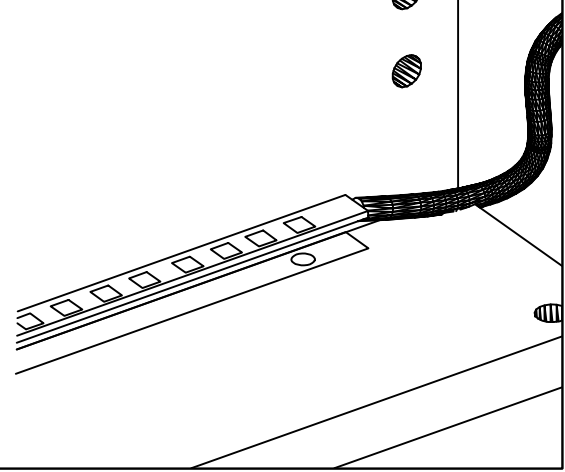
**STEP 4**



LED STRIP

**TIPS**

Make sure the power cord position is on the headboard side.



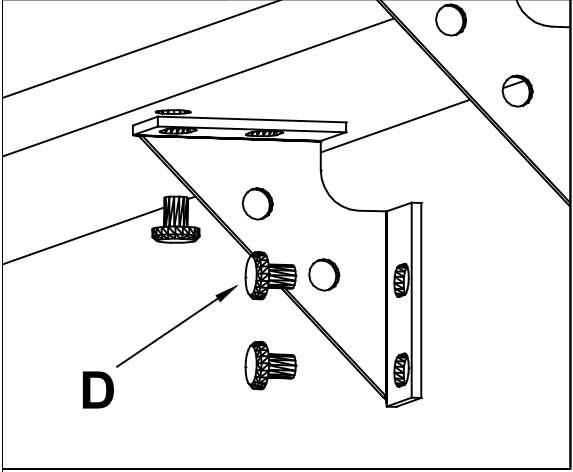
Headboard Direction

Peel off the blue tape and stick located on the black plate.

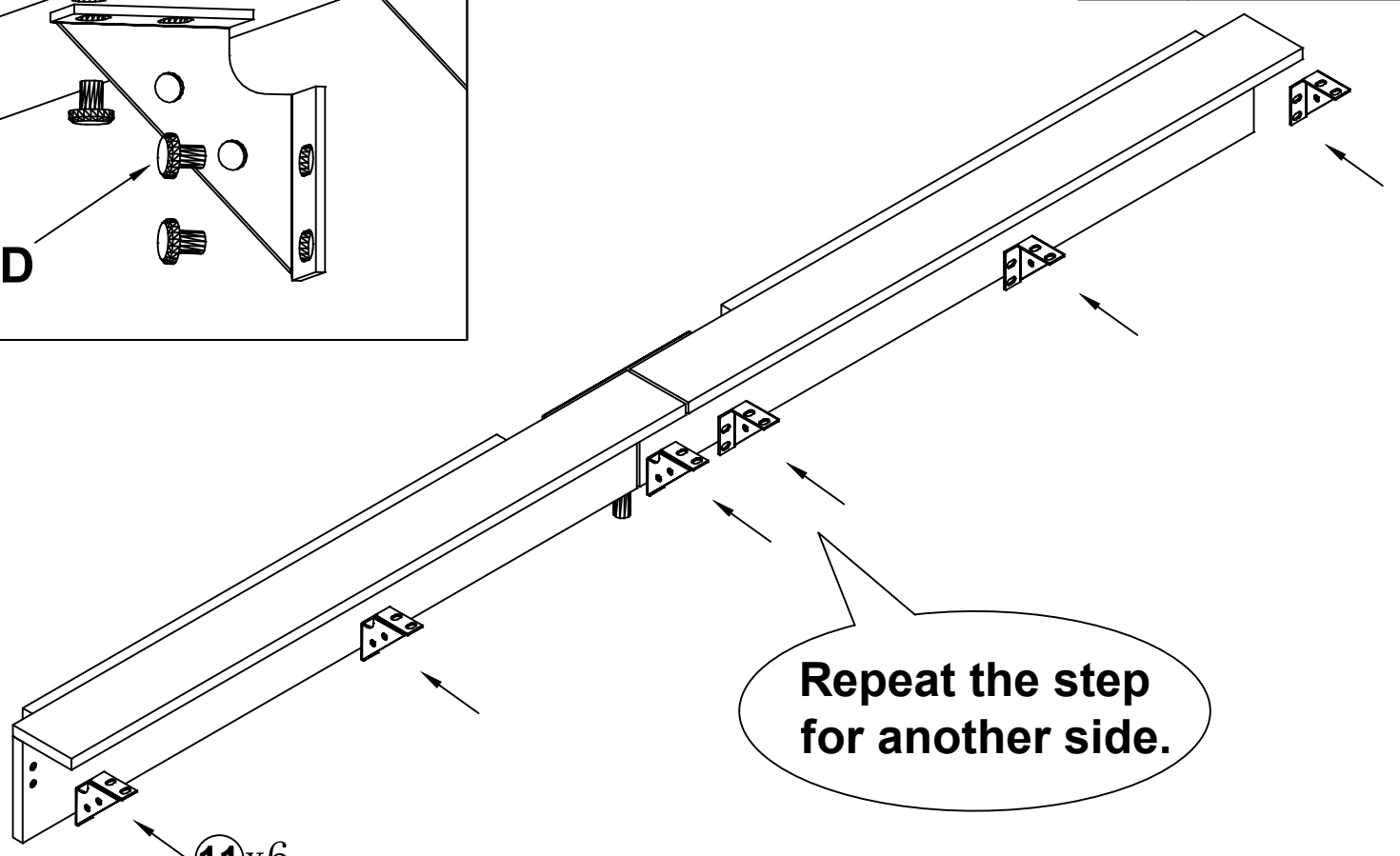
*\*The full strip should be 3 sections. 2 for SIDE and 1 for REAR. Please confirm its length before apply sticking.*

**STEP 5**

- D M6x16 -36 pcs
- M4 Allen Key



D



Repeat the step for another side.

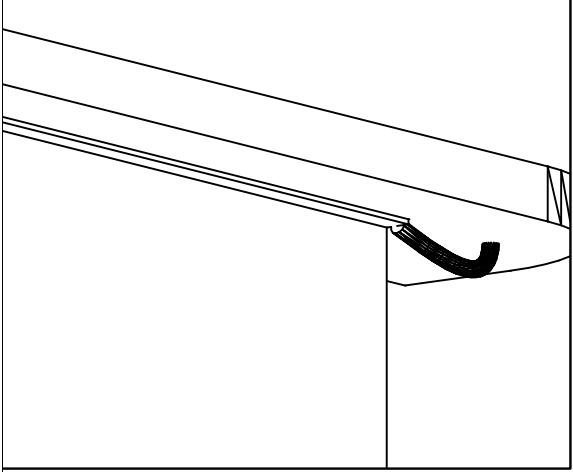
11x6

**STEP 6**

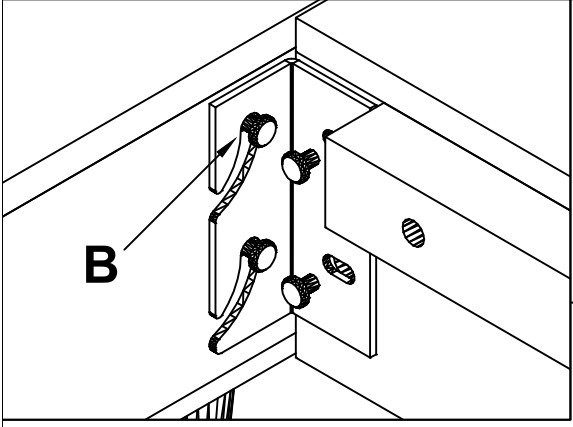
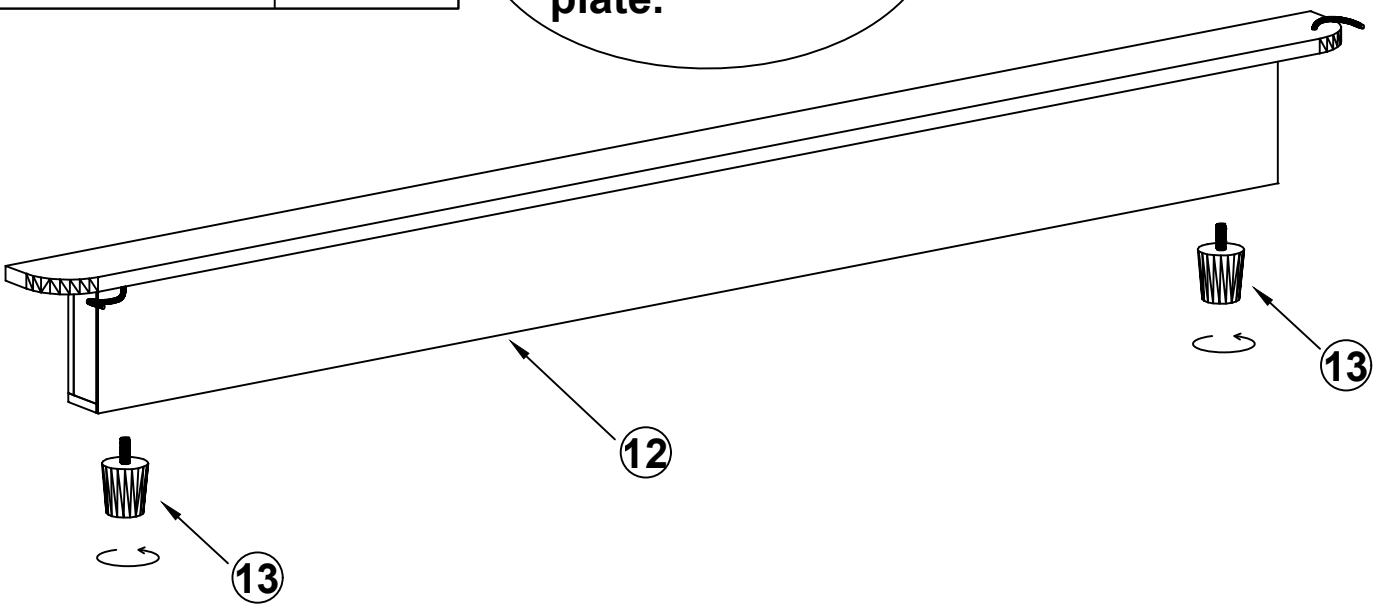


LED STRIP

STEP 7



Stick the LED Strip on the rear located the black plate.

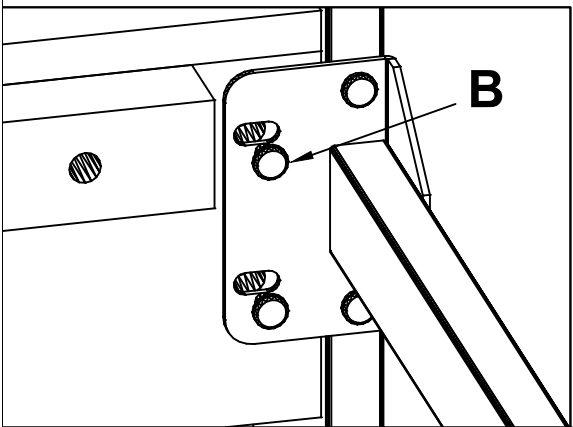
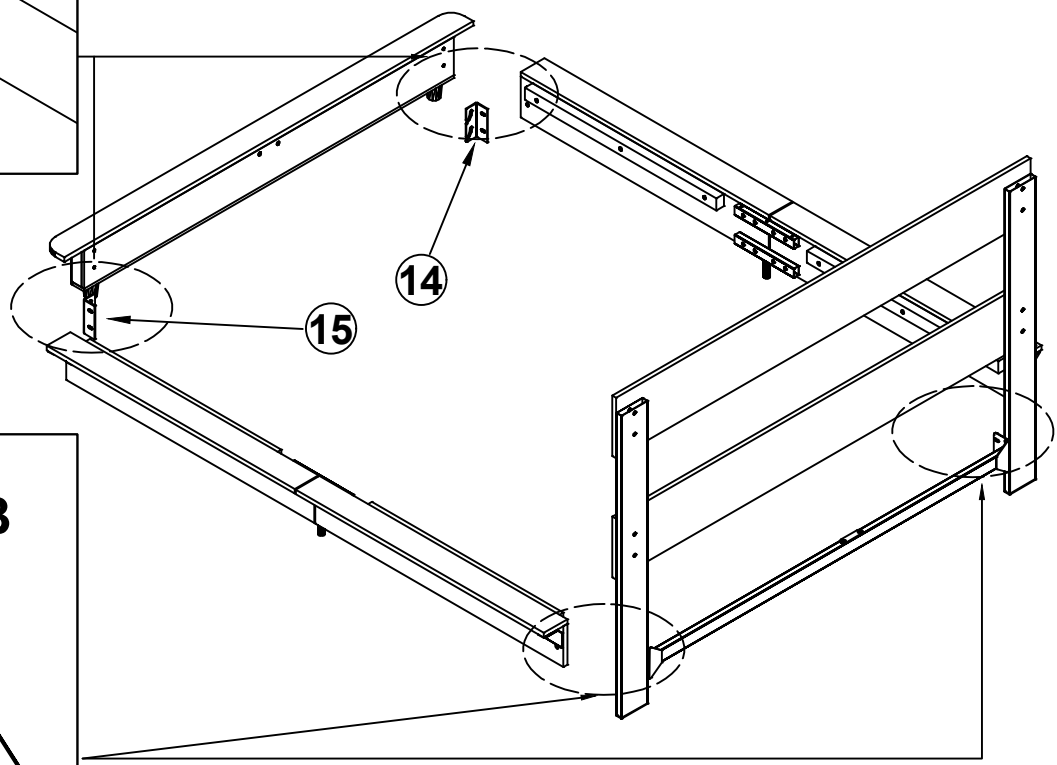


M8x16 -12 pcs



M5 Allen Key

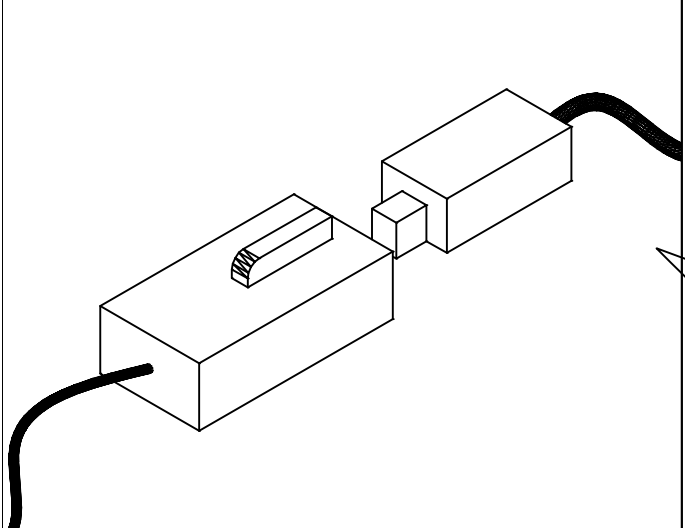
STEP 8



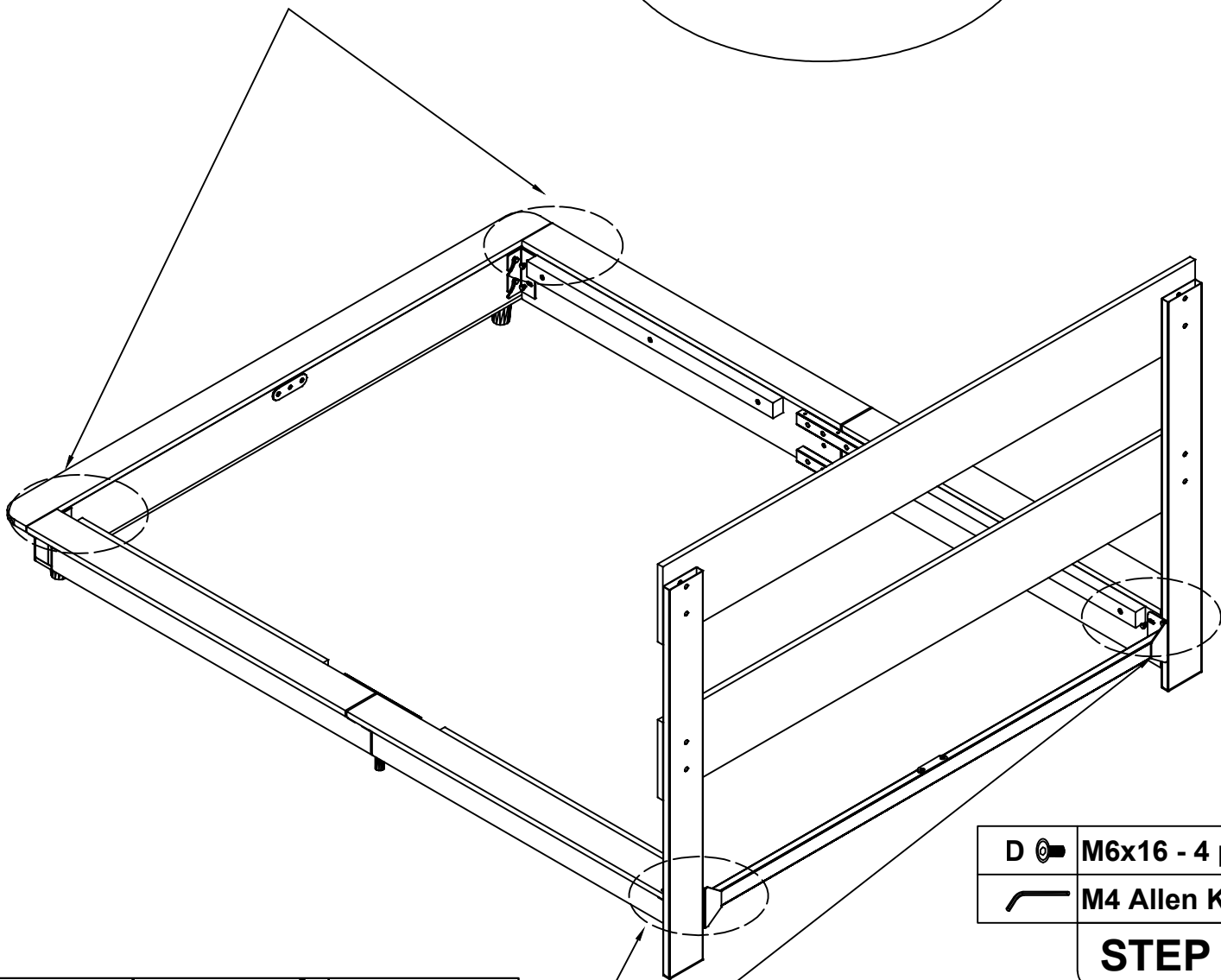


LED STRIP

STEP 9



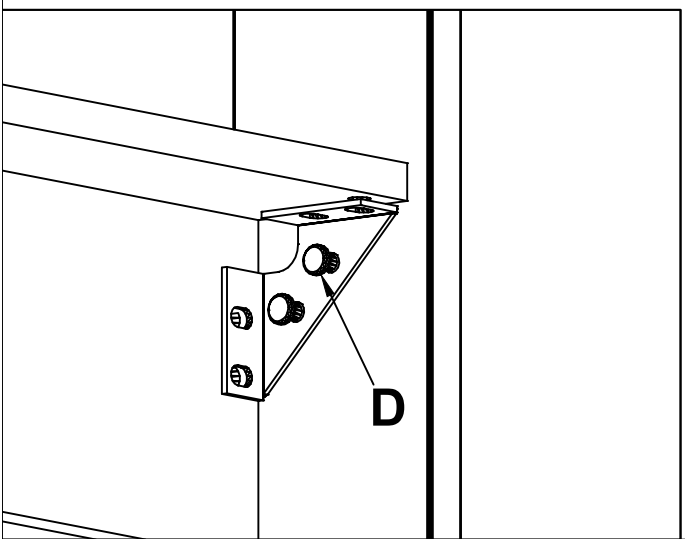
Plug in the led on both side of rear board.






D M6x16 - 4 pcs

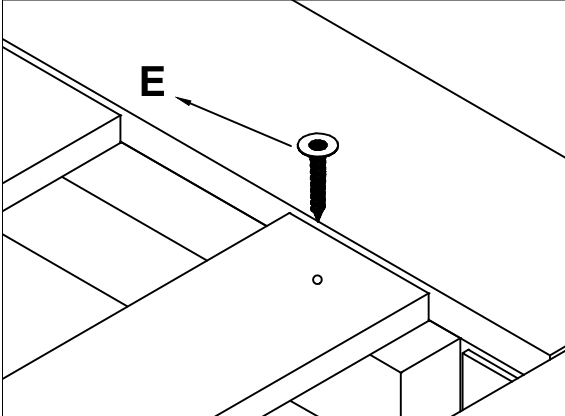
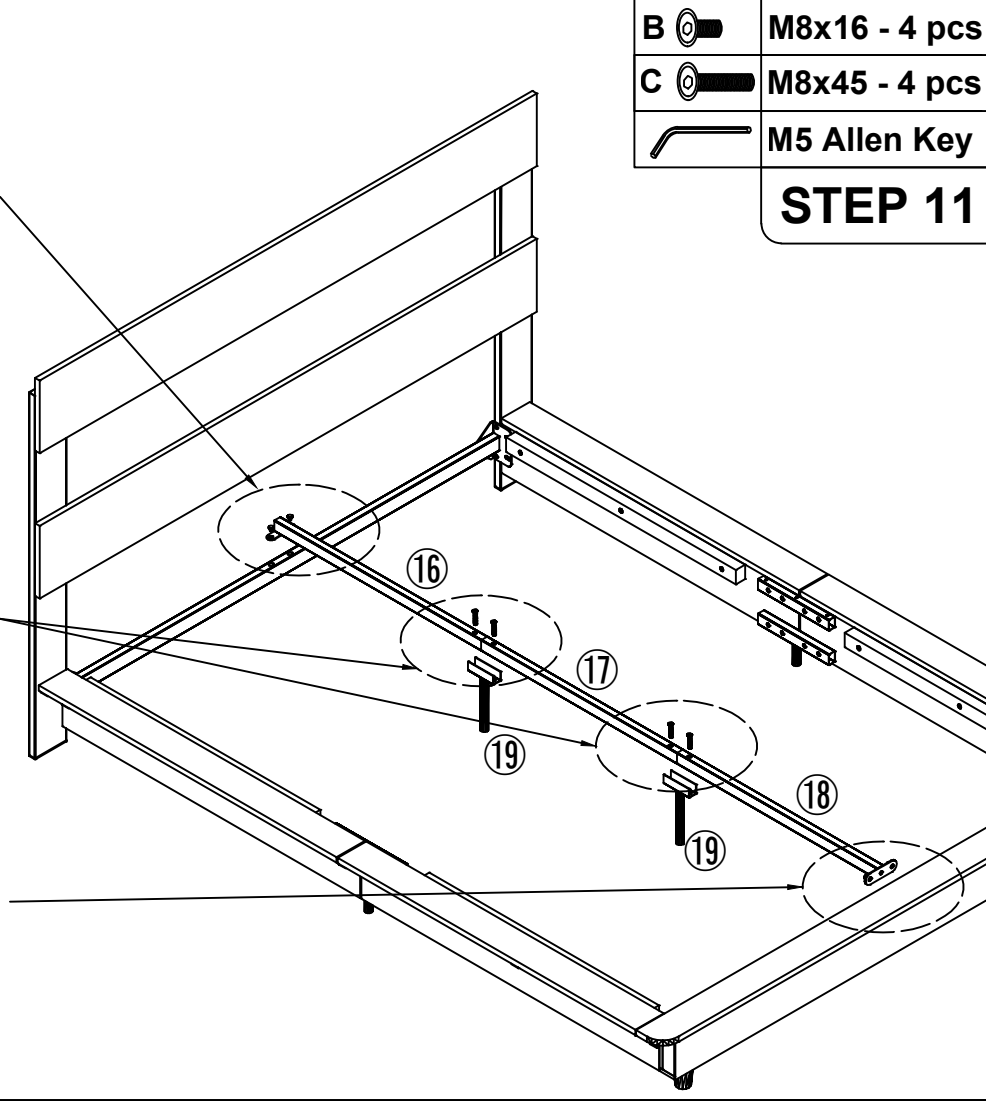
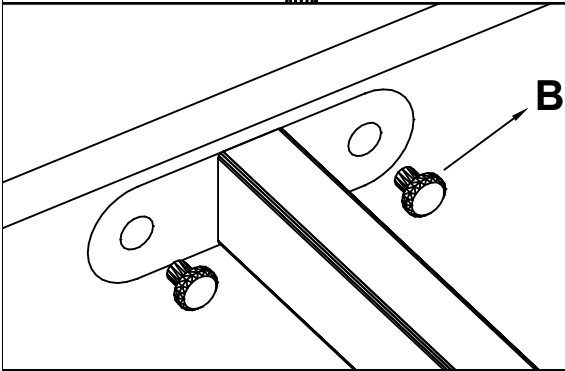
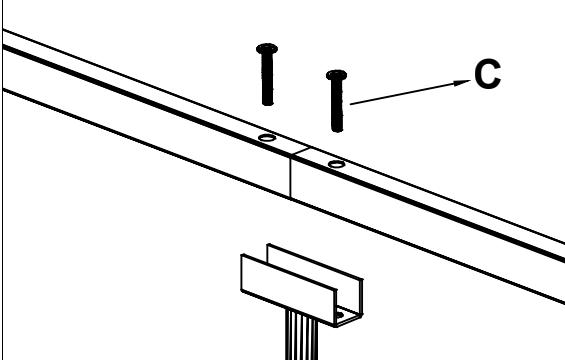
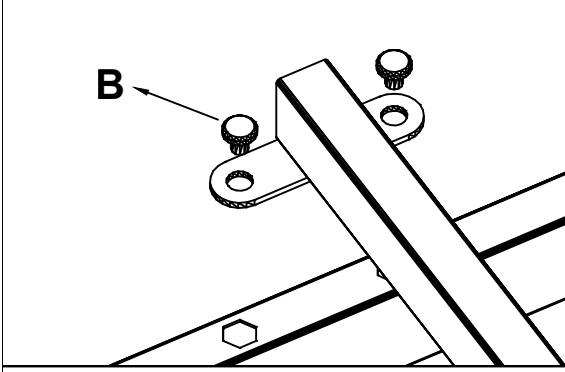
M4 Allen Key

STEP 10



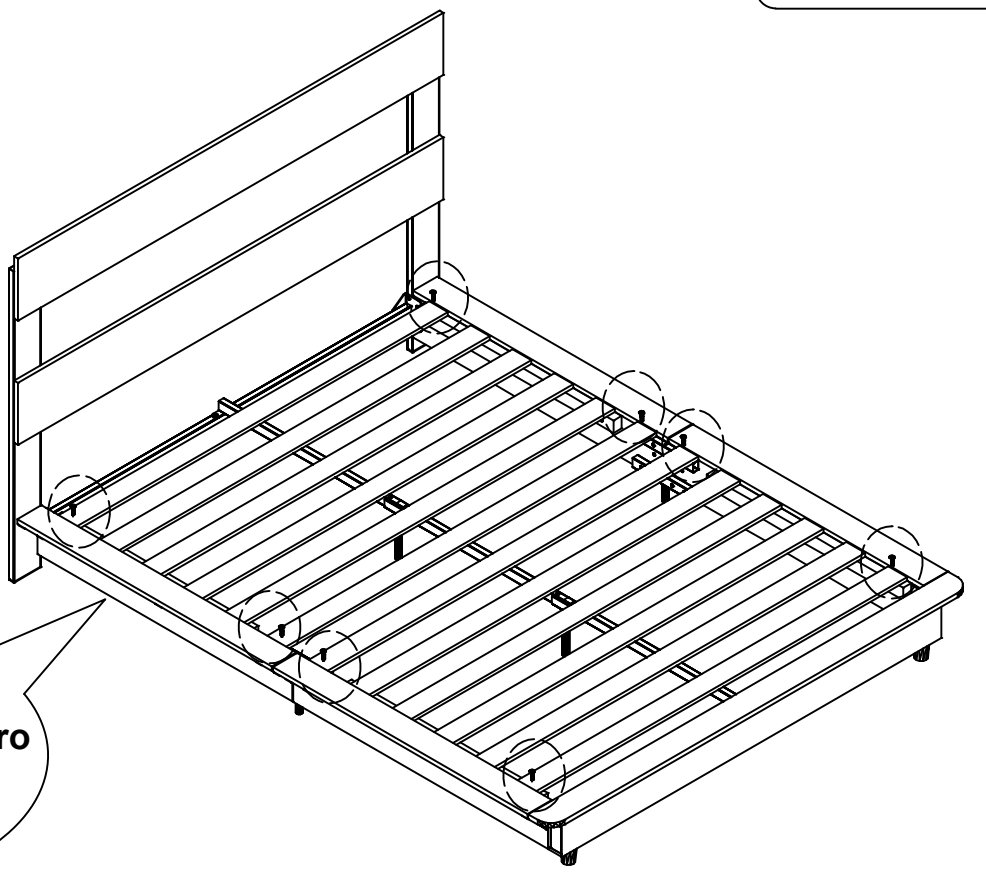
- B**  M8x16 - 4 pcs
- C**  M8x45 - 4 pcs
-  M5 Allen Key

**STEP 11**



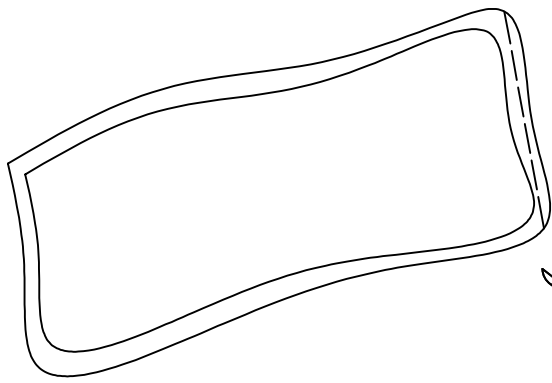
- E**  M4x25 - 8 pcs
-  Handdriver

**STEP 12**



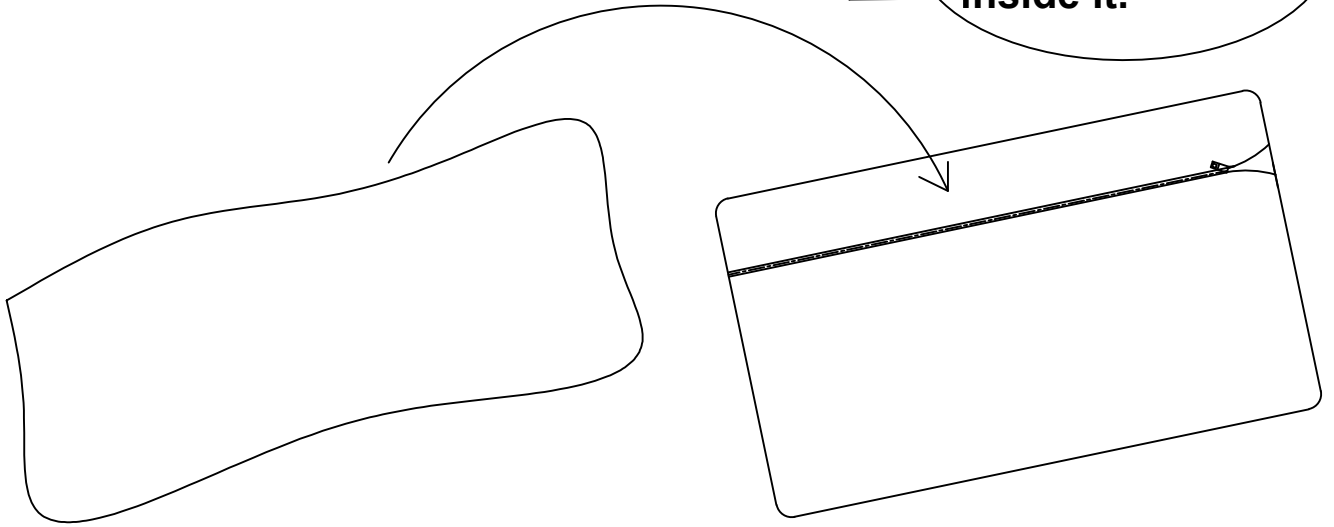
Put down the wood slats ⑳ on the velcro and align on the supporter.

**STEP 13**



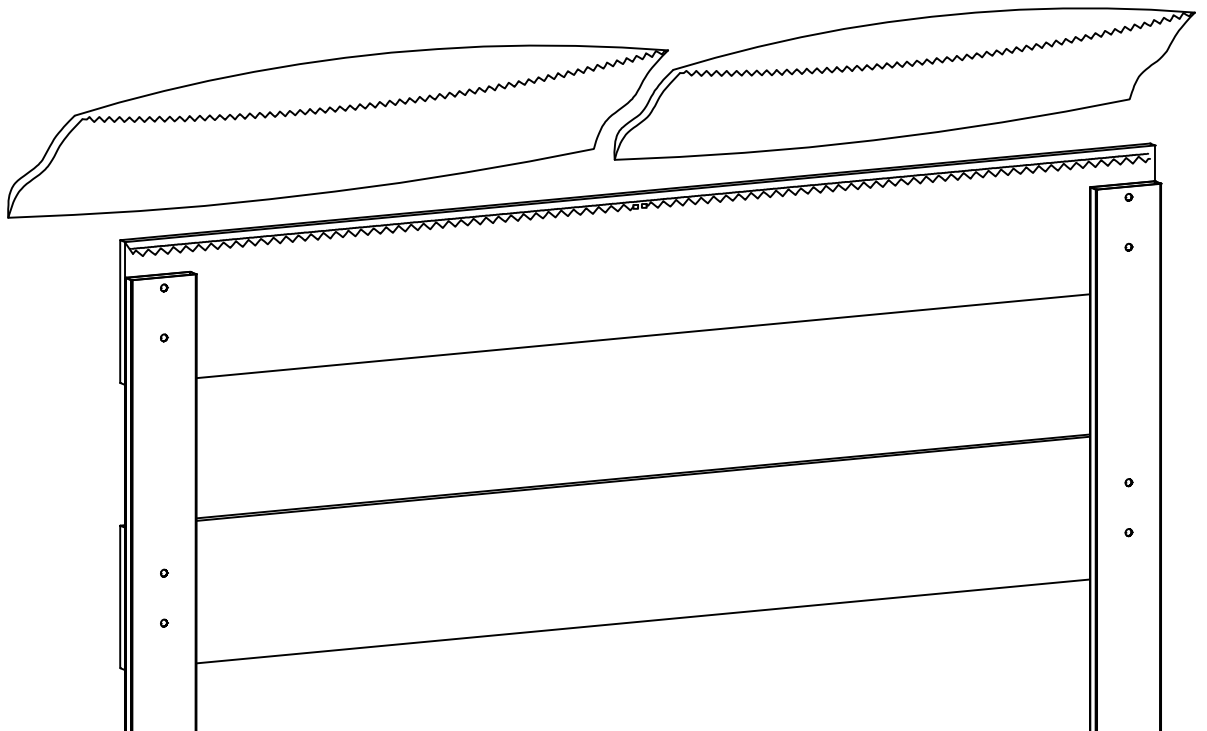
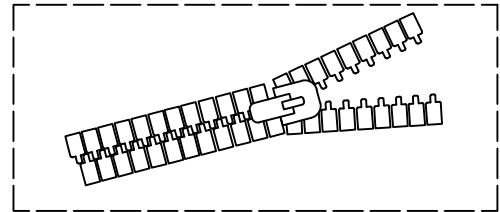
**Open the  
compression  
bag**

**Unzip the cover  
and put the pillow  
inside it.**

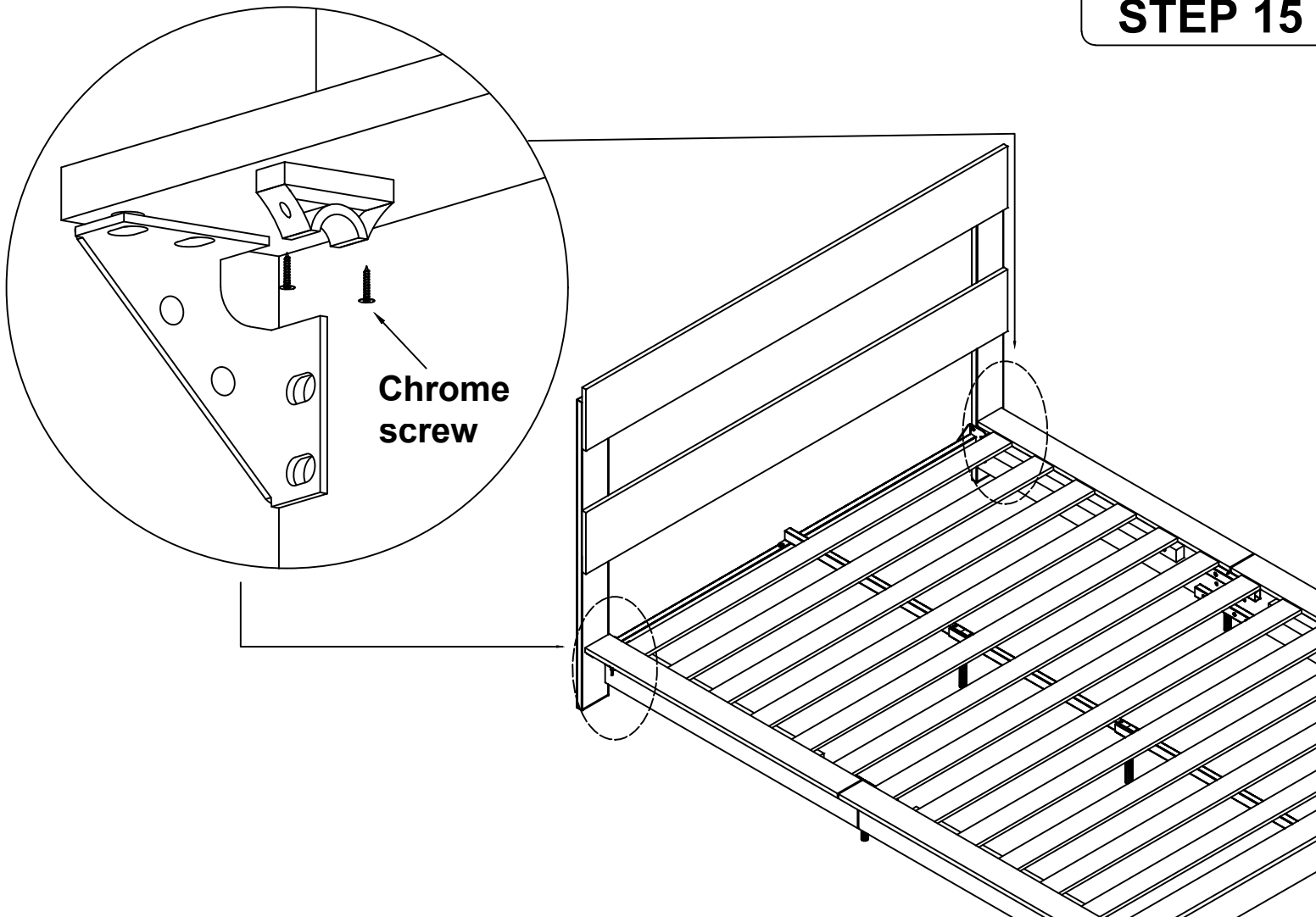


**STEP 14**

**Apply the pillow by  
zipping on the headboard  
with zipper.**

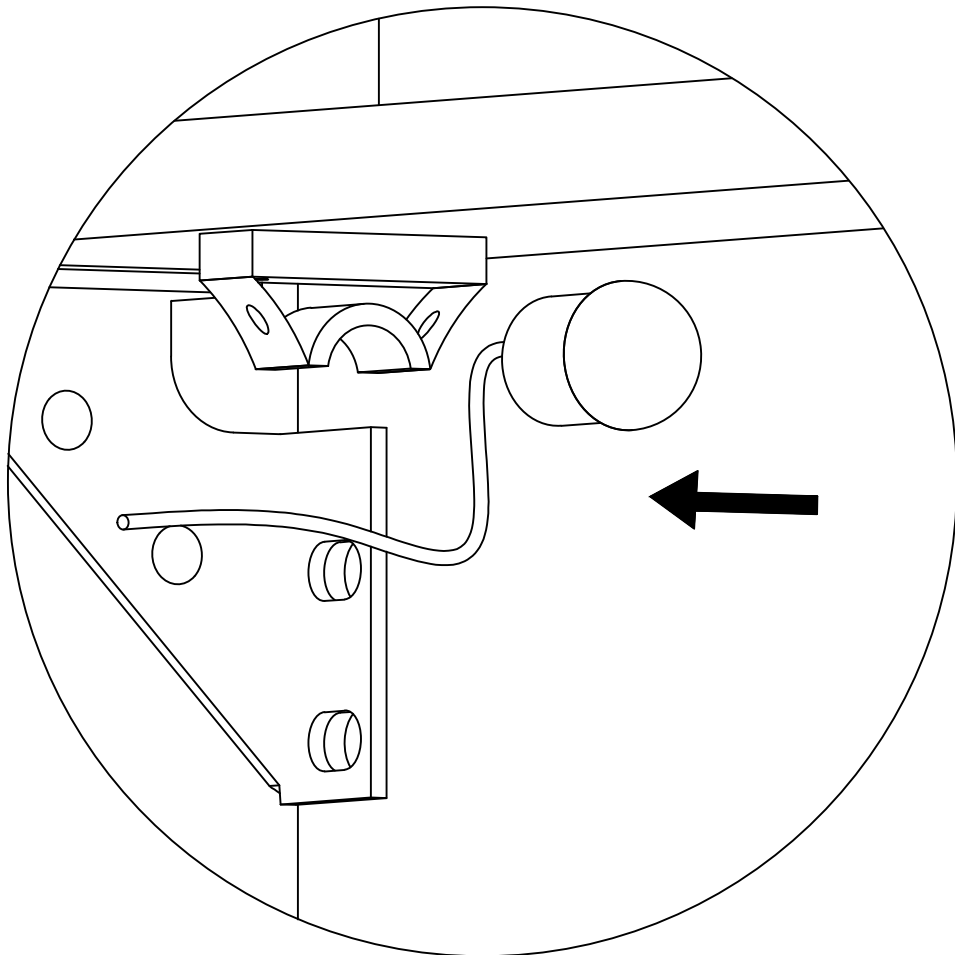


**STEP 15**

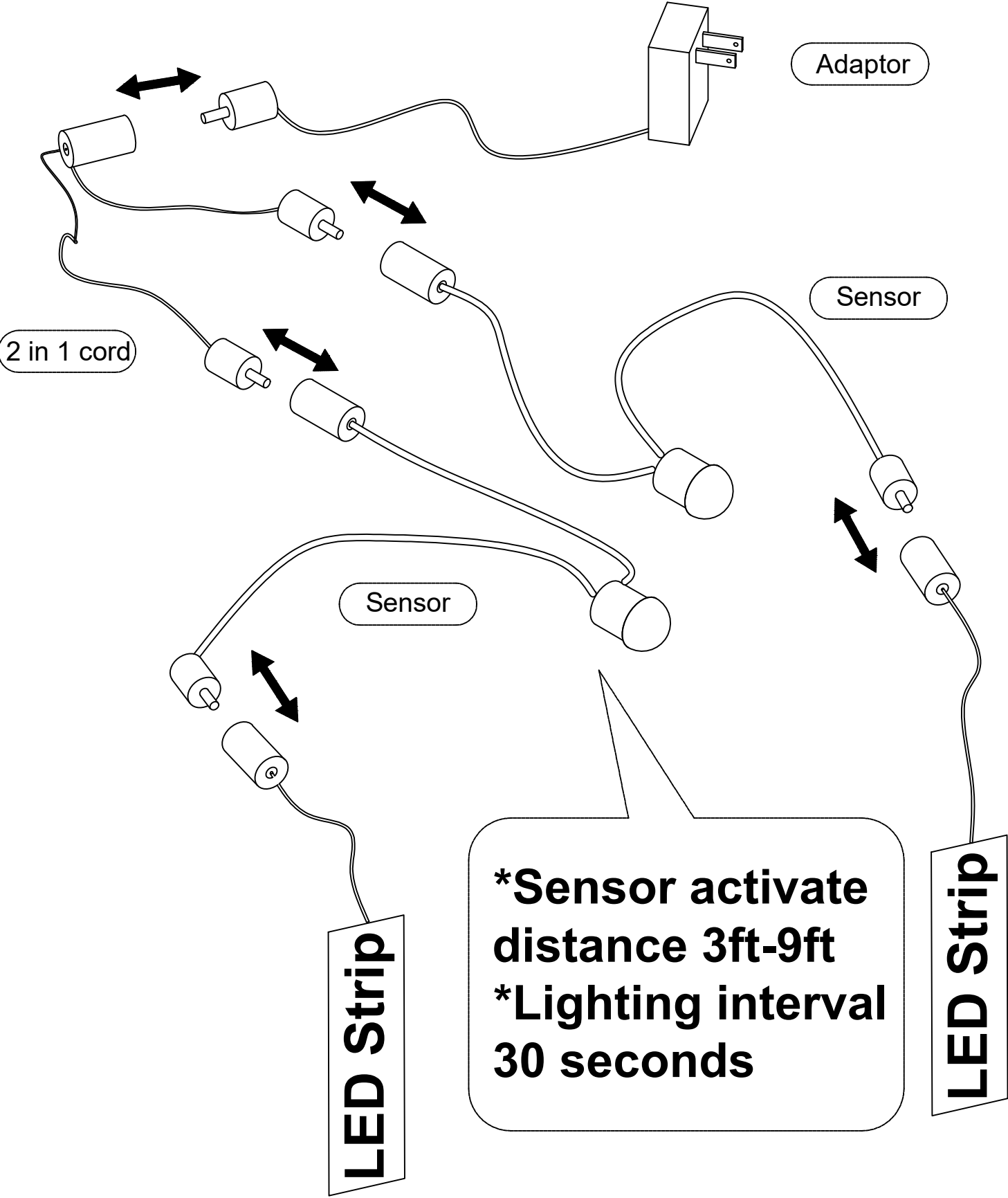


**STEP 16**

**Insert the sensors to the holders on both side.**



# How to connect the motion sensor LED



**Congratulations.  
It is finished.**

