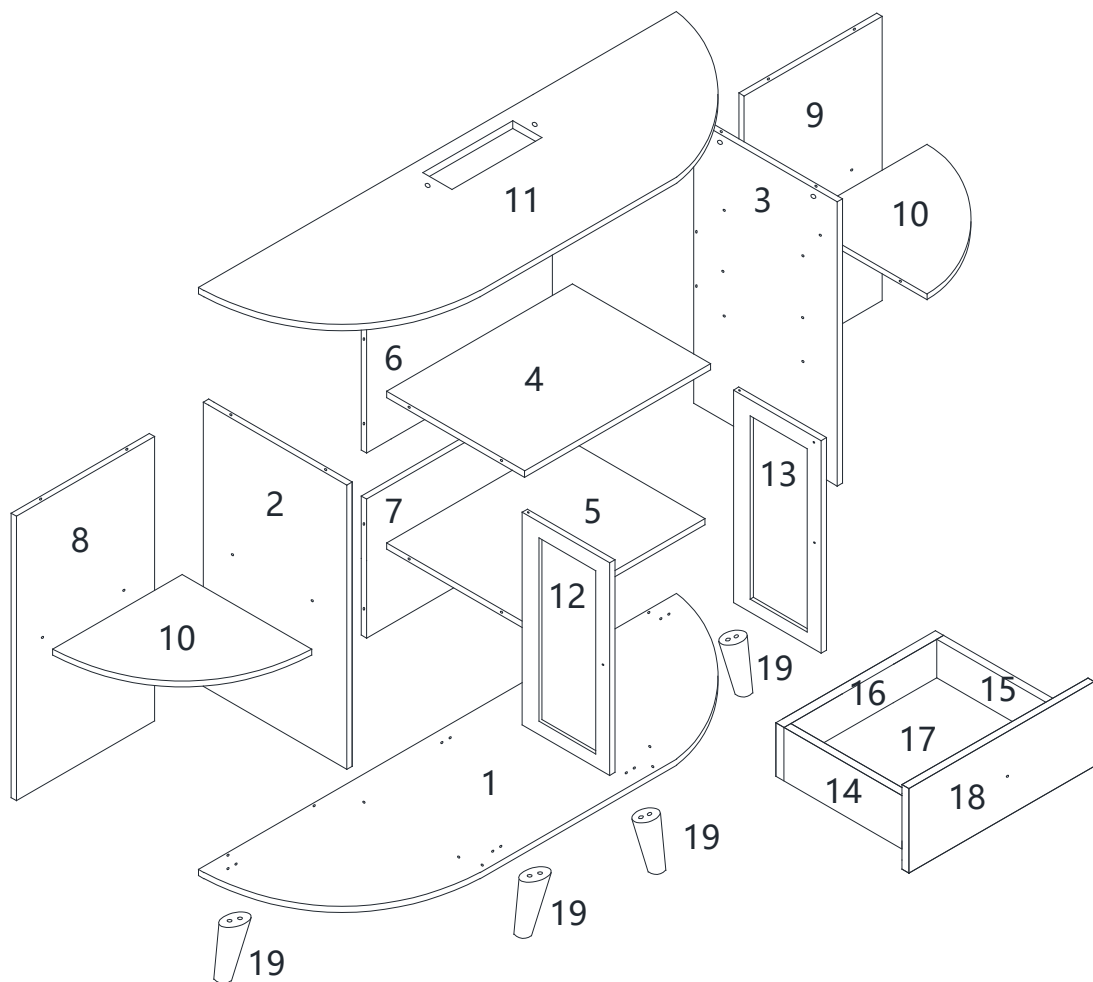
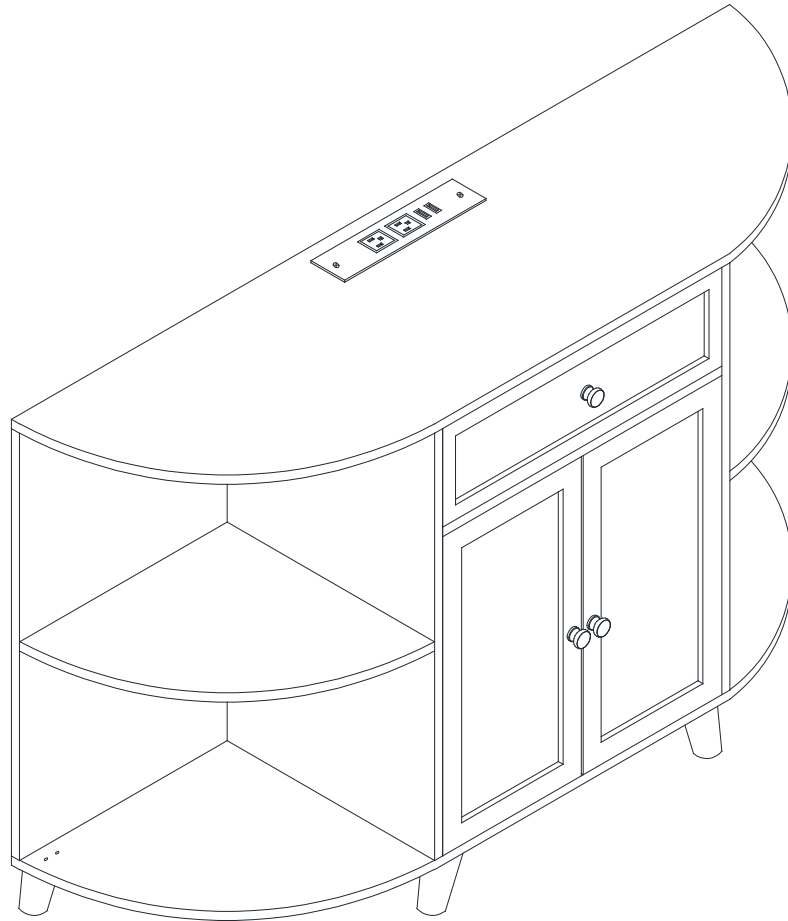
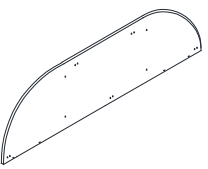


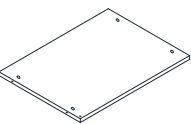
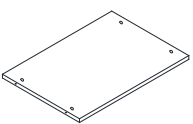
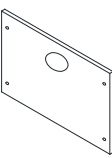
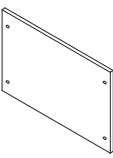



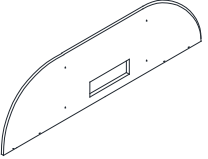

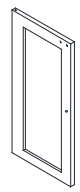
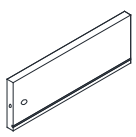
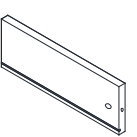
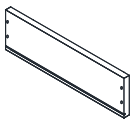
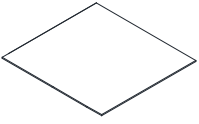
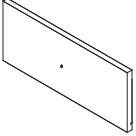








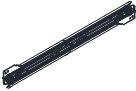
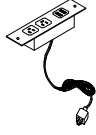
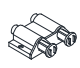




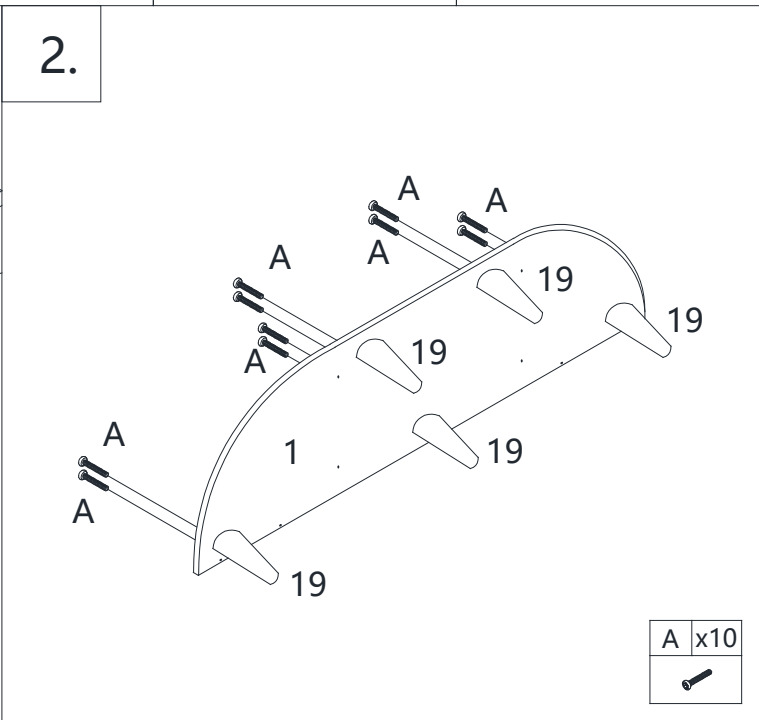
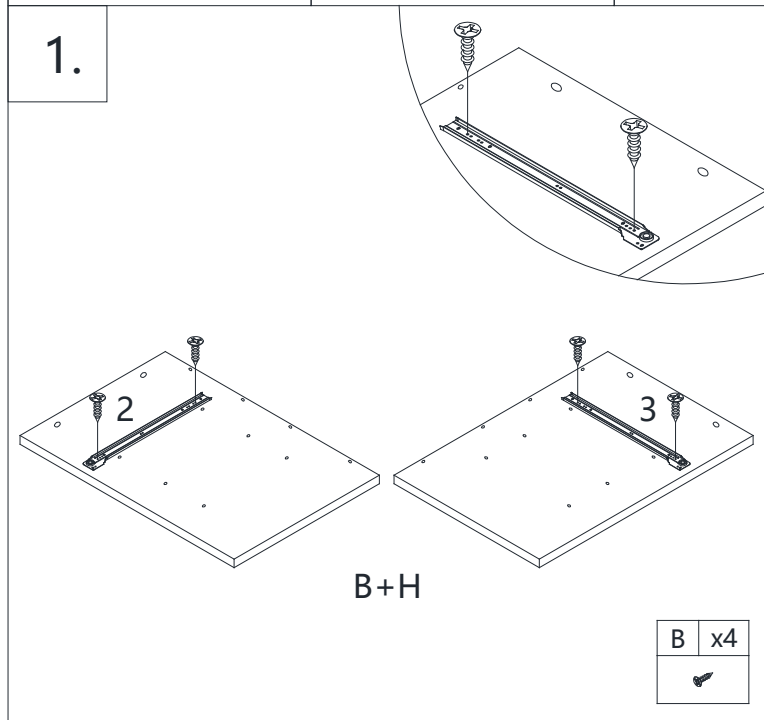


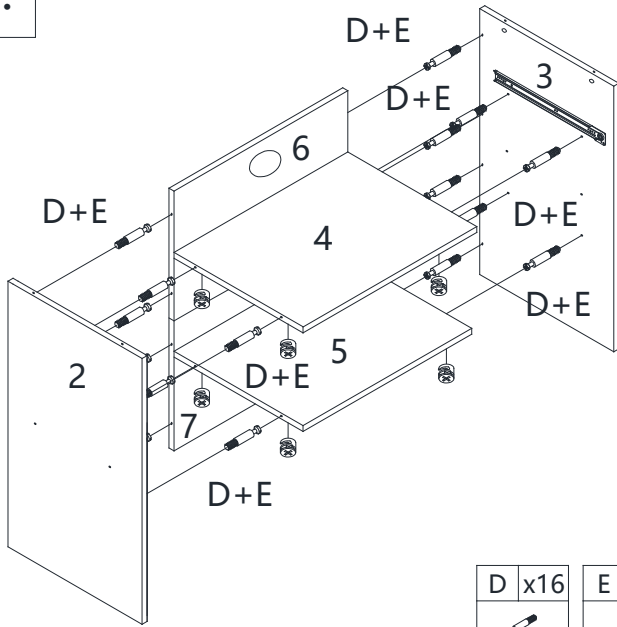
Installation & Assembly



1  x1	2  x1	3  x1	4  x1	5  x1
6  x1	7  x1	8  x1	9  x1	10  x2
11  x1	12  x1	13  x1	14  x1	15  x1
16  x1	17  x1	18  x1	19  x5	A (M6x30mm)  x11
B (M3.5x14mm)  x14	C (M6.3x40mm)  x20	D  x26	E  x26	F (M4x18mm)  x2
G  x3	H (12 inch guide rail)  x1	I  x1	J  x1	K  x2
L (Black spring)  x4	M (M4x12mm)  x1	N  x1		

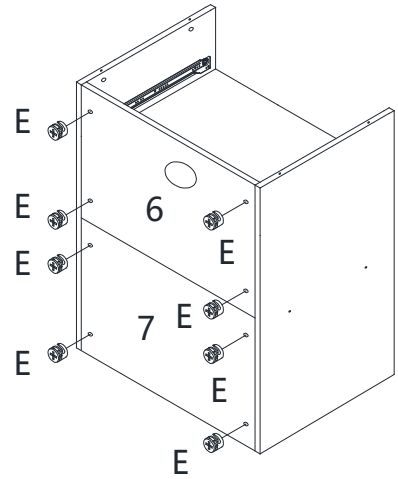


3.



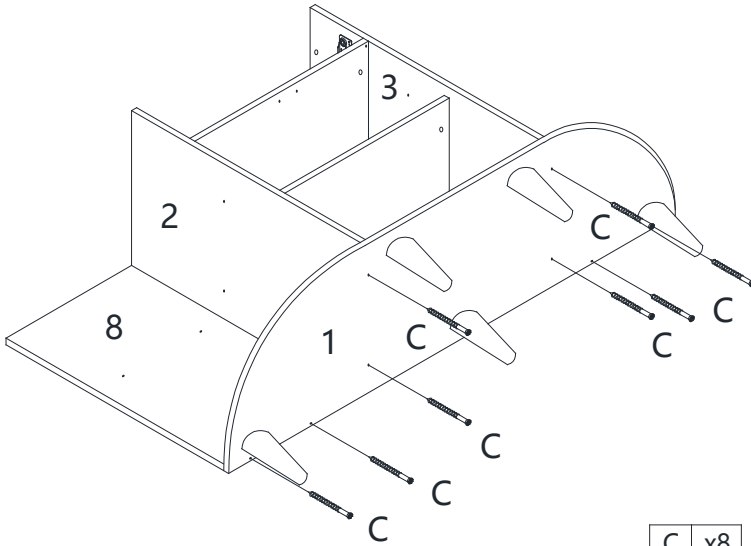
D x16	E x8

4.



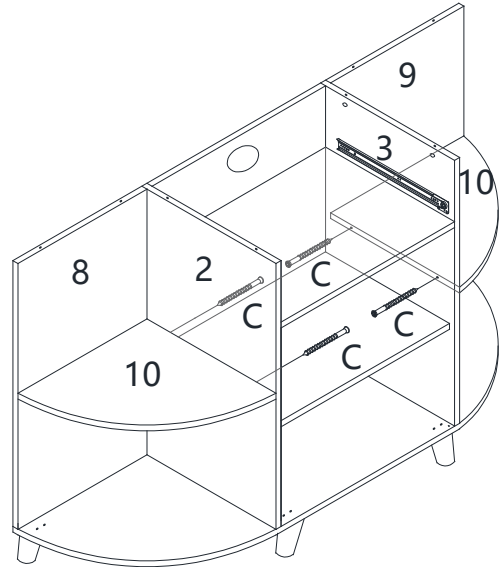
E x8

5.



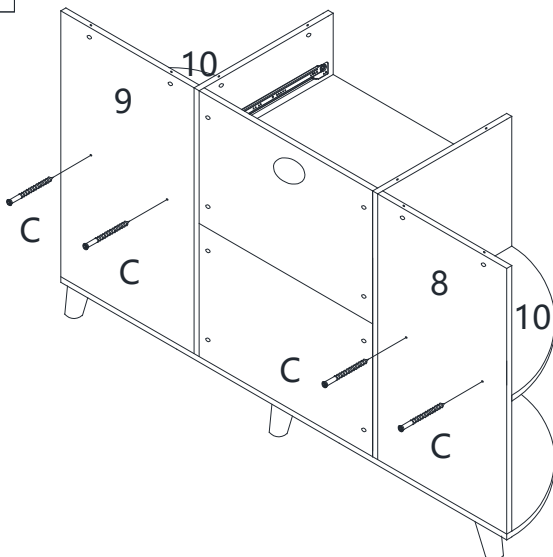
C x8

6.



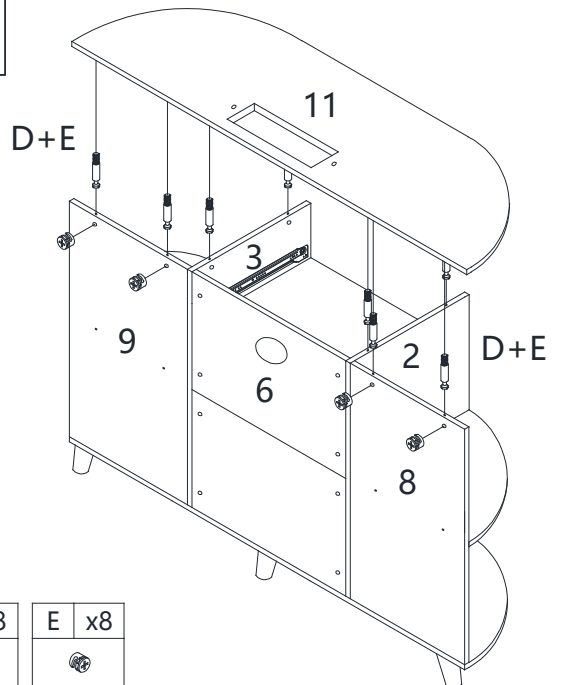
C x4

7.



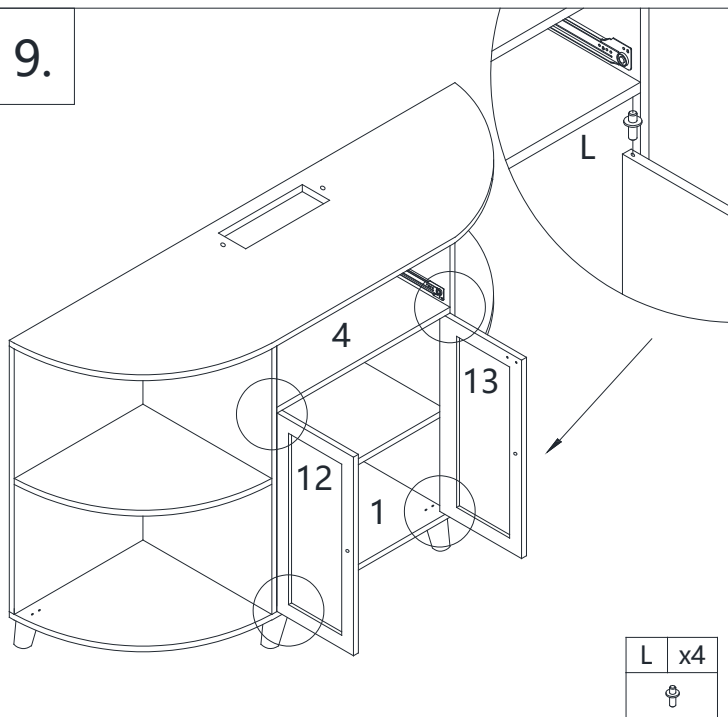
C x4

8.



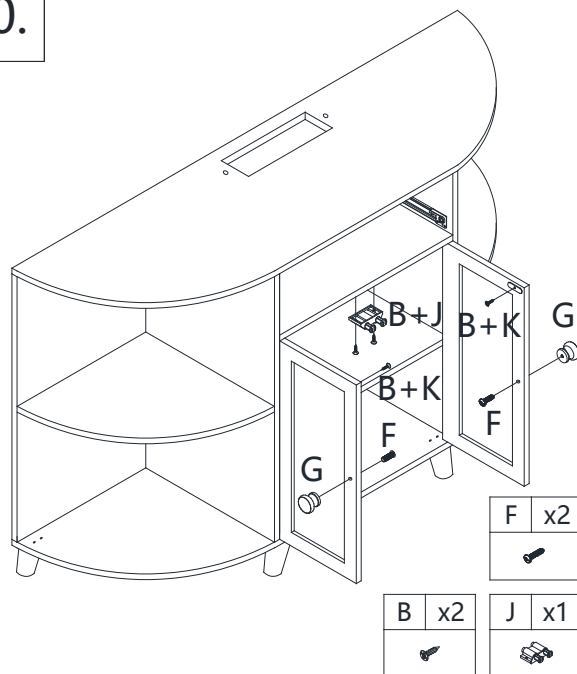
D x8	E x8

9.



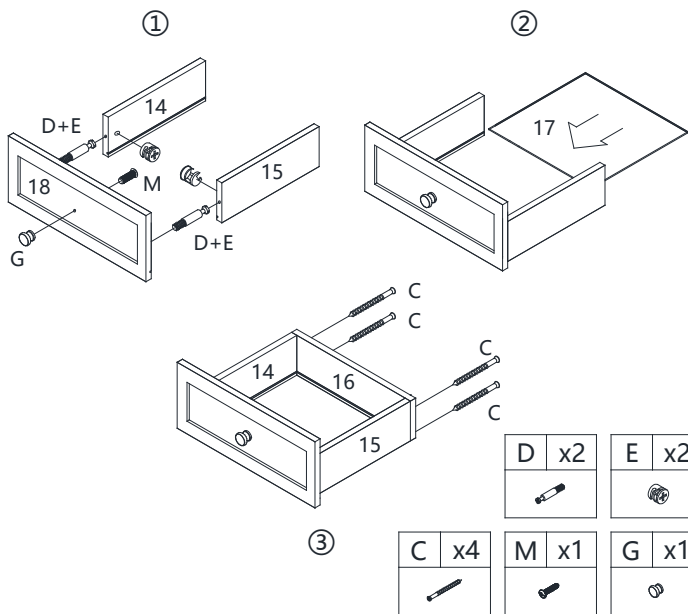
L	x4

10.



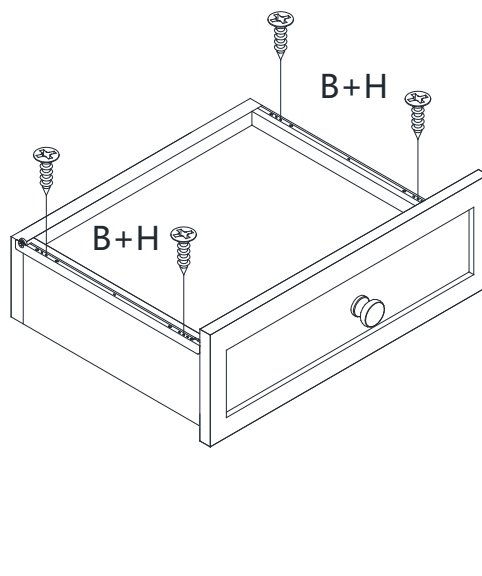
F	x2	G	x2
B	x2	J	x1
		K	x2

11.



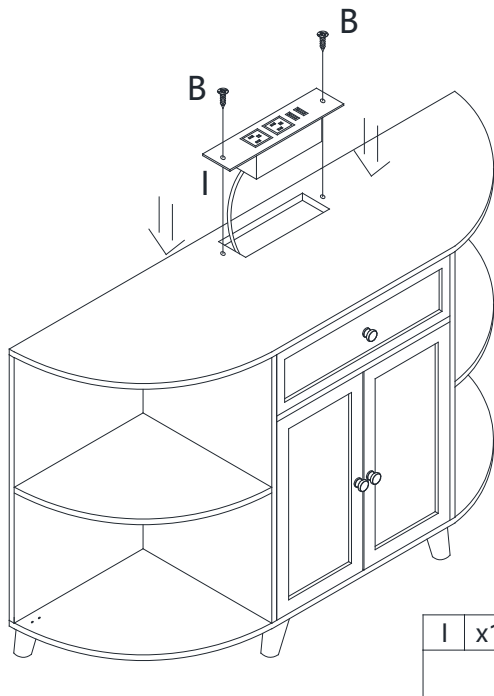
D	x2	E	x2
C	x4	M	x1
		G	x1

12.



B	x4

13.



I	x1	B	x2

14.

