











Assembly Instructions

Caution: You must read this before you proceed

Care & Maintenance

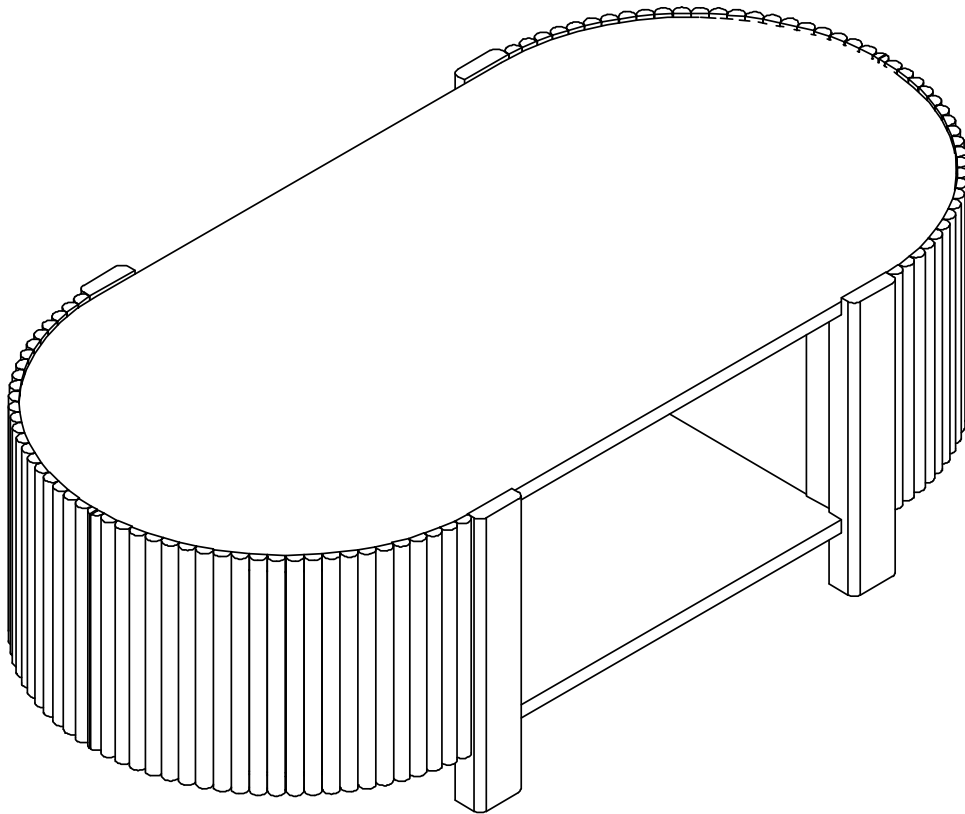
	<ul style="list-style-type: none">• Not for commercial use. For residential use only.
	<ul style="list-style-type: none">• Do not put hot items directly on furniture surface.
	<ul style="list-style-type: none">• Do not clean furniture with harsh cleansers or polish.
	<ul style="list-style-type: none">• Do not place furniture under direct sunlight.
	<ul style="list-style-type: none">• Do not place furniture near heating or cooling vents.
	<ul style="list-style-type: none">• Do not write on furniture without a padded barrier to protect the surface.
	<ul style="list-style-type: none">• Do not place furniture outside . For indoor use only.
	<ul style="list-style-type: none">• Stains may be removed with mild soap solution and damp cloth.
	<ul style="list-style-type: none">• Children should not climb or jump on the furniture.
	<ul style="list-style-type: none">• Dust and pick-up spills using a clean, non-colored, lint-free cloth.

Please look in Corners of carton for hardware packs and Legs.

Assembly Instructions

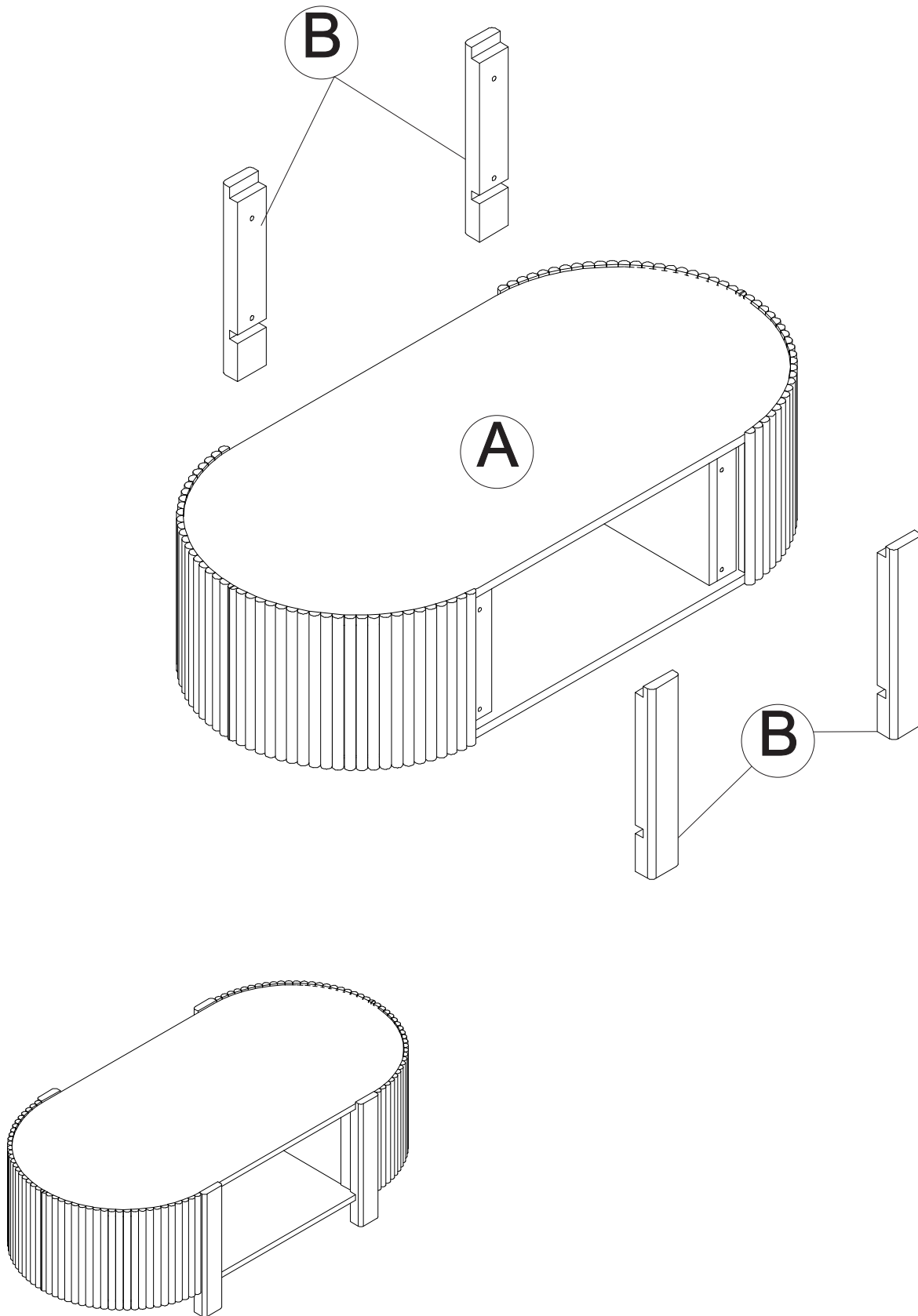
Please look in the Table for Hardware packs and Legs

Coffee Table



Caution: This Coffee Table is NOT a TOY. Keep your child / children at bay during the assembly process. Whenever lifting or moving the Loveseat and to prevent damage to the Table, two adults may be needed to execute these actions.

ASSEMBLY INSTRUCTION



ASSEMBLY INSTRUCTION

Part List

A

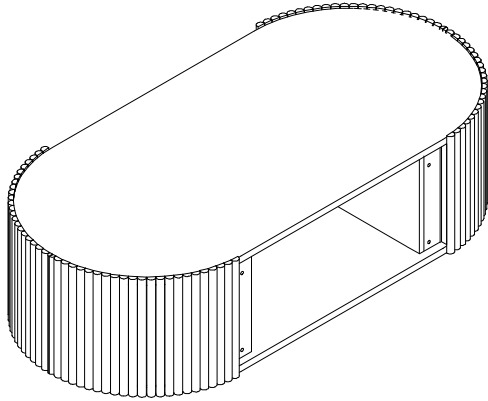
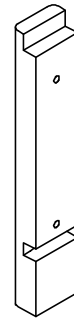


Table frame = 1pc

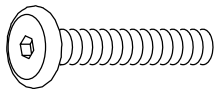
B



Legs = 4pcs

Hardware List

1



Bolt 1/4" x 65mm =8 pcs

2



Lock Washer =8 pcs

3



Spring Washer = 8pcs

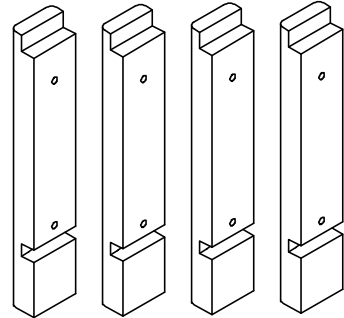
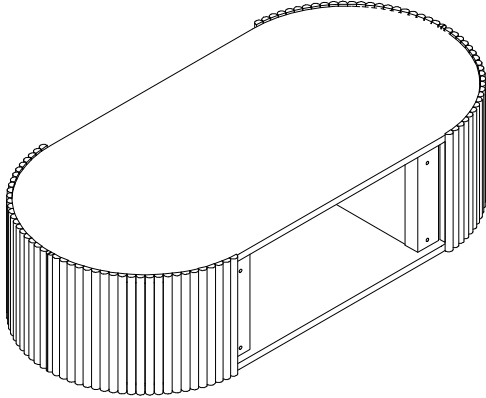
4



Allen Key L110=1 pc

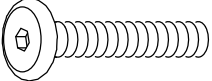
Assembly Preparation


Before Beginning Assembly:





Ⓐ Table frame = 1pc

Ⓑ Legs = 4pcs

① X 8pcs 

② X 8 pcs 

③ X 8 pcs 

④ X 1 pc 

Assembly Preparation

Before Beginning Assembly:



- Read instructions, cover to cover-



- Have 2 adults on hand for assembly-



- Do not assemble on flooring or carpet-



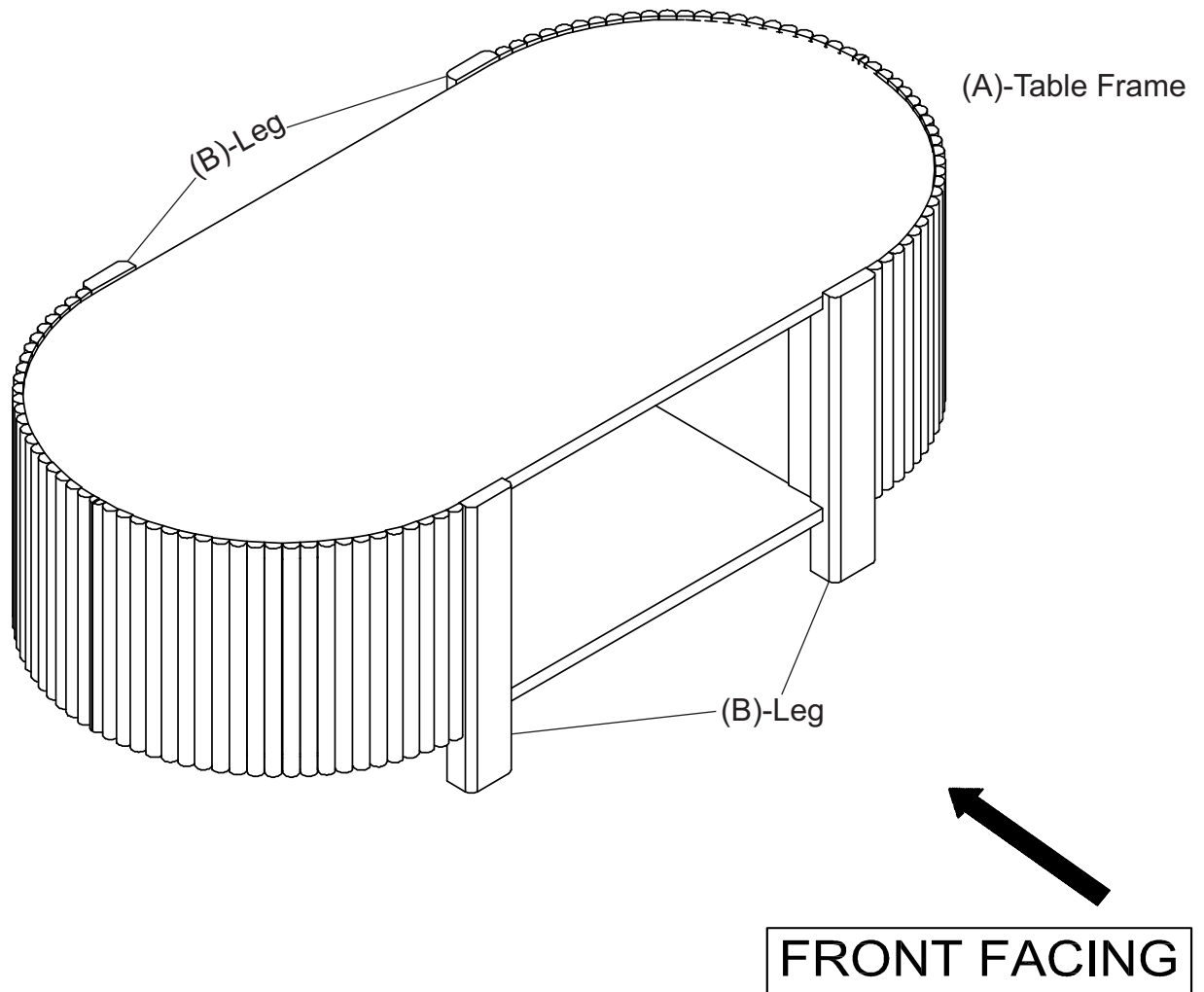
- Assemble on a clean non-marring surface (packing foam)-



- Save all packaging until finished-

Assembly Steps

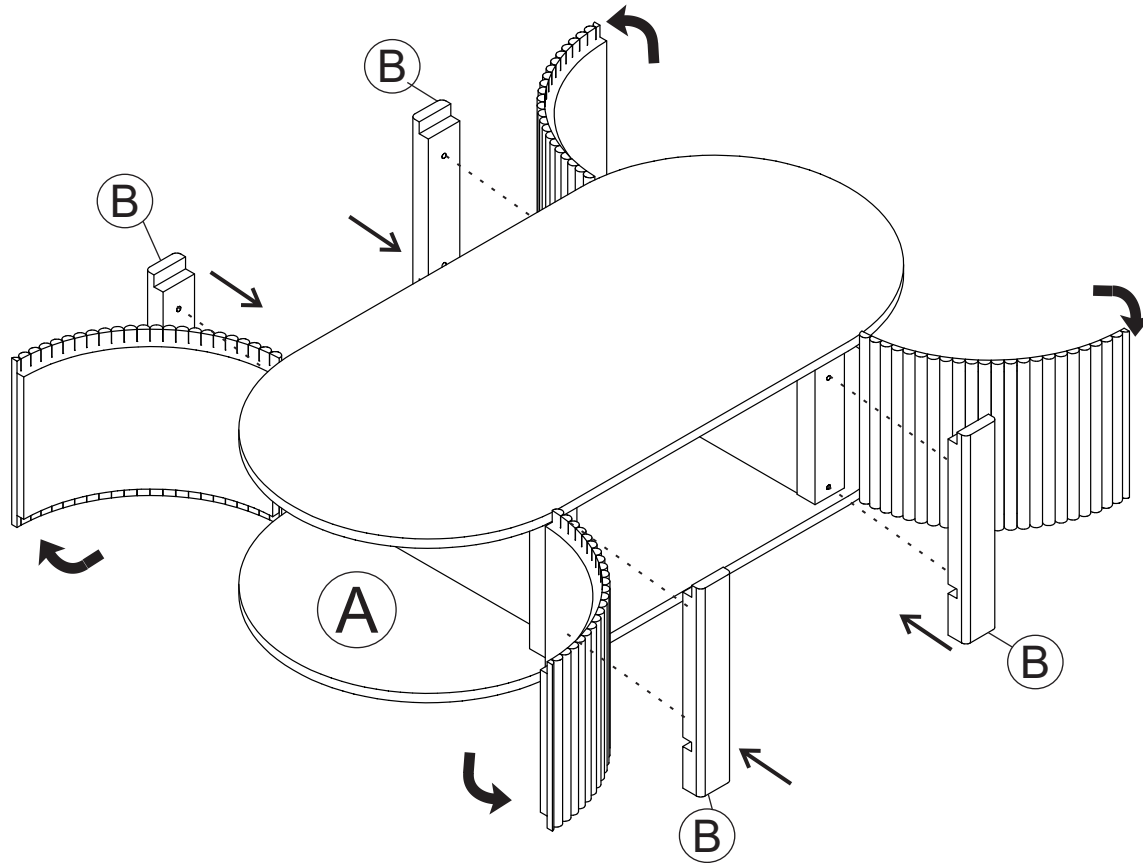
Overview



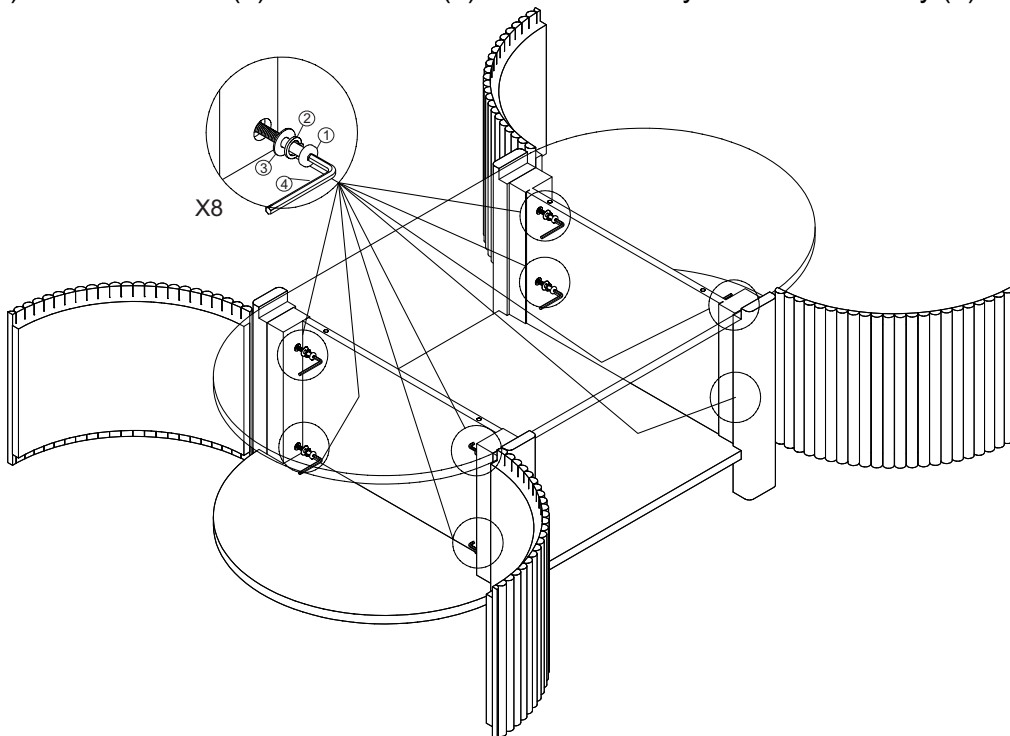
This Coffee Table has multiple parts and may require up to 30 minutes to assemble. To give you an overview of the Table parts, the above picture is to help you put the various parts into perspective. Please read through the instructions below to familiarise yourself with the parts and steps before assembly.

ASSEMBLY INSTRUCTION

Step 1 First, open the side doors of the Table. Then, insert the four Legs (B) into the pre-drilled holes.

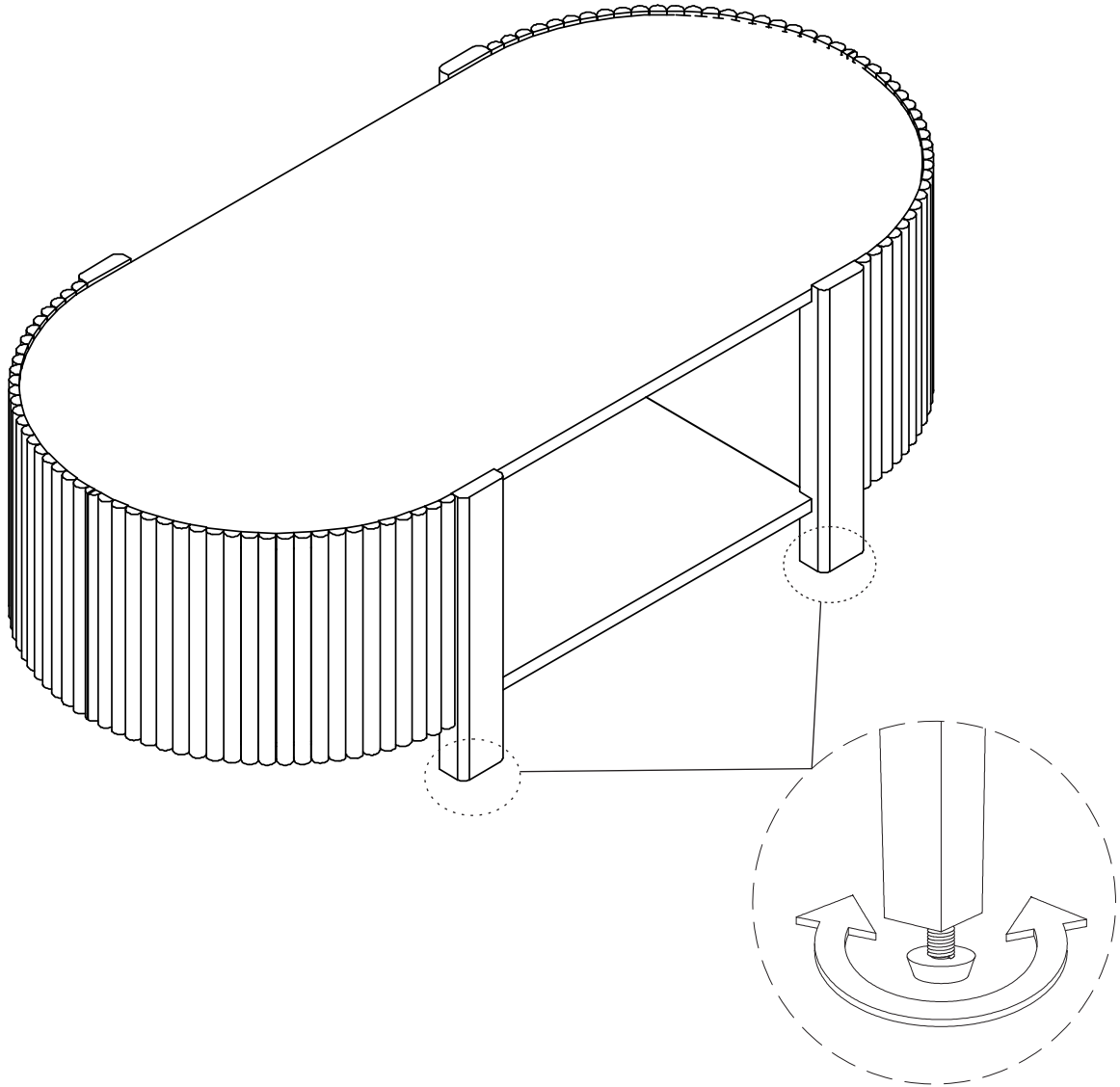


Step 2 Secure the legs to the tabletop assembly using 1/4 inch x 65mm bolts (1). Insert the spring washer (2) and flat washer (3) onto the bolt (1) before assembly. Use the Allen key (4) to tighten fully (100%).



ASSEMBLY INSTRUCTION

Step 3 After all bolts are securely installed, check the level of the tabletop and the alignment of the doors. Adjust the leveling feet located at the bottom of the table legs by turning them left or right until the tabletop is even and the doors are properly aligned (not too high or low).



HELPFUL TIP:

Adjust the levelers to help further level the counter stool, if need be.