


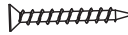


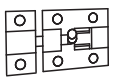

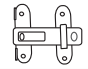
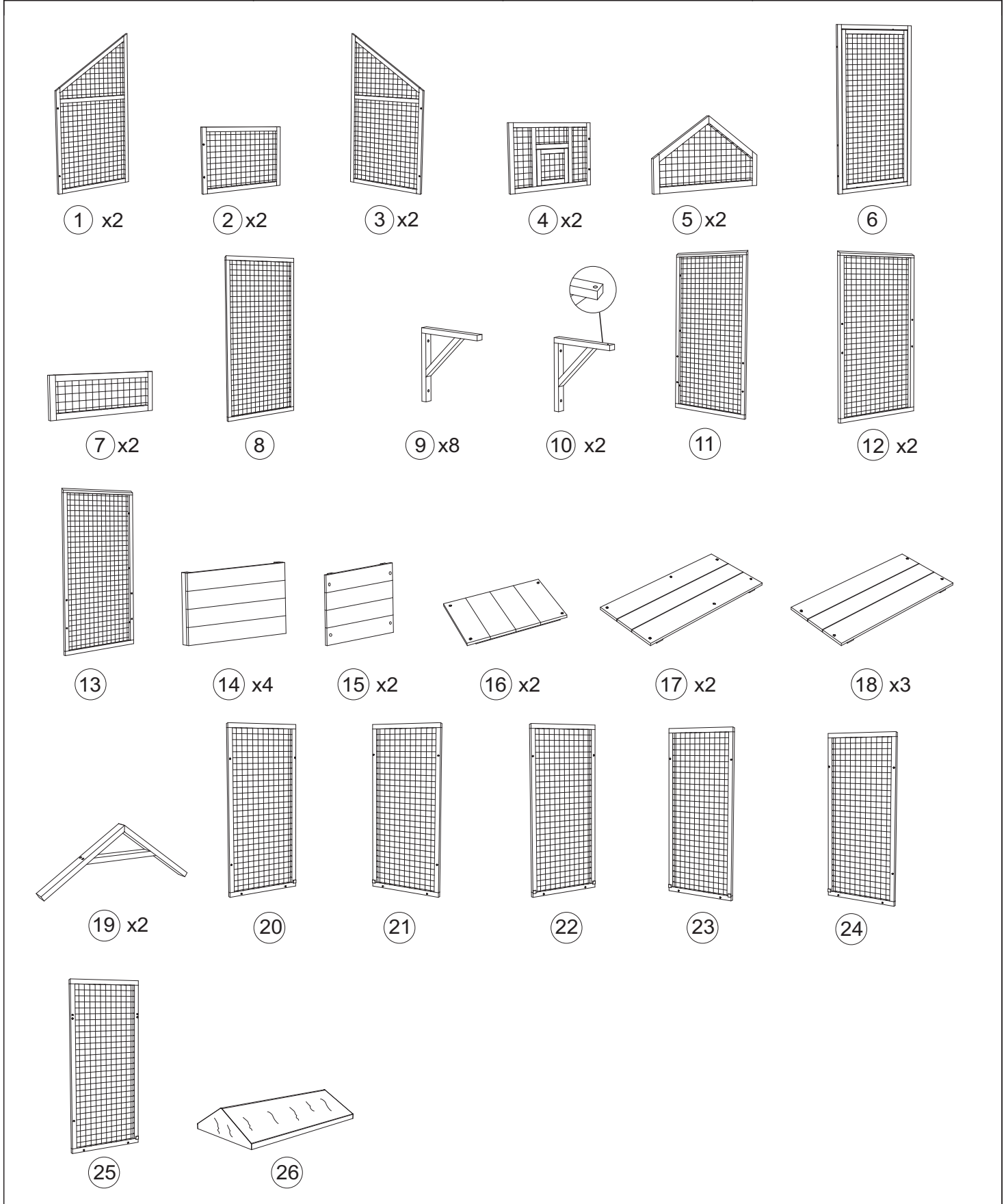


ASSEMBLY INSTRUCTIONS

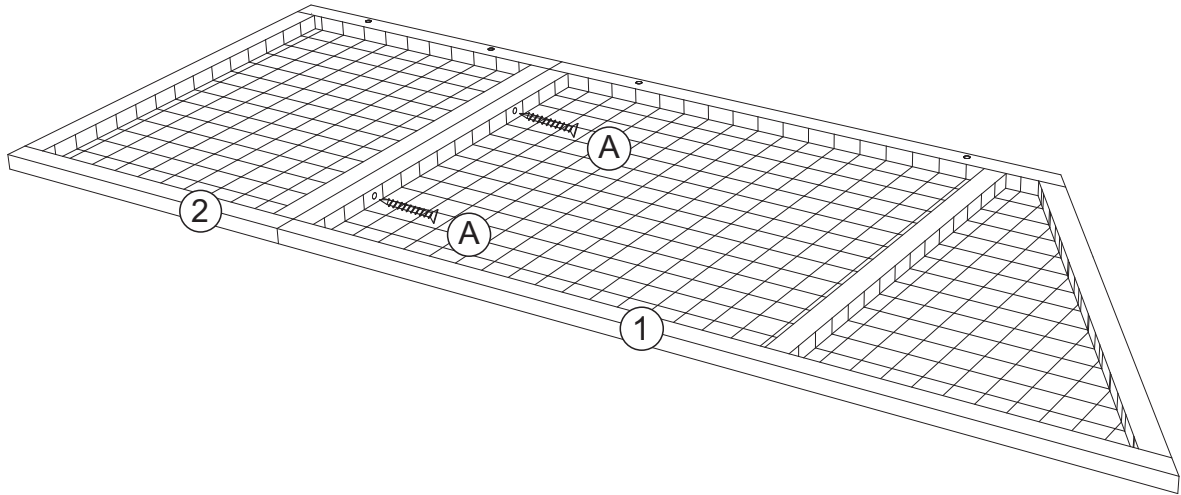
 A M3.5*50 42PCS	 B M3.5*35 46PCS	 C M6.0*50 20PCS	 D M3.0*20 40PCS
 E M3.0*14 12PCS	 F M6.0*20 16PCS	 2PCS	 M3.0*14 4PCS  1PCS



STEP 1

A x4

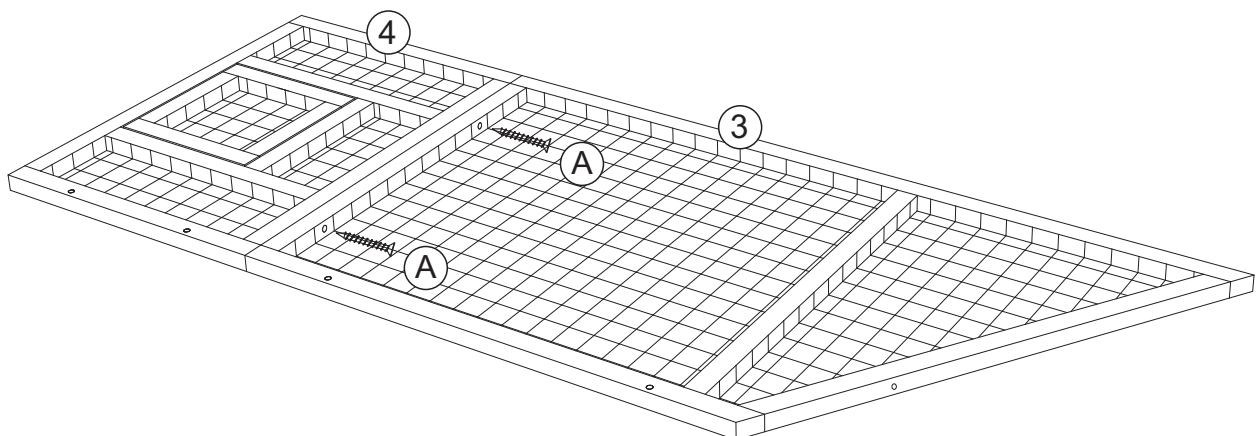
x2



STEP 2

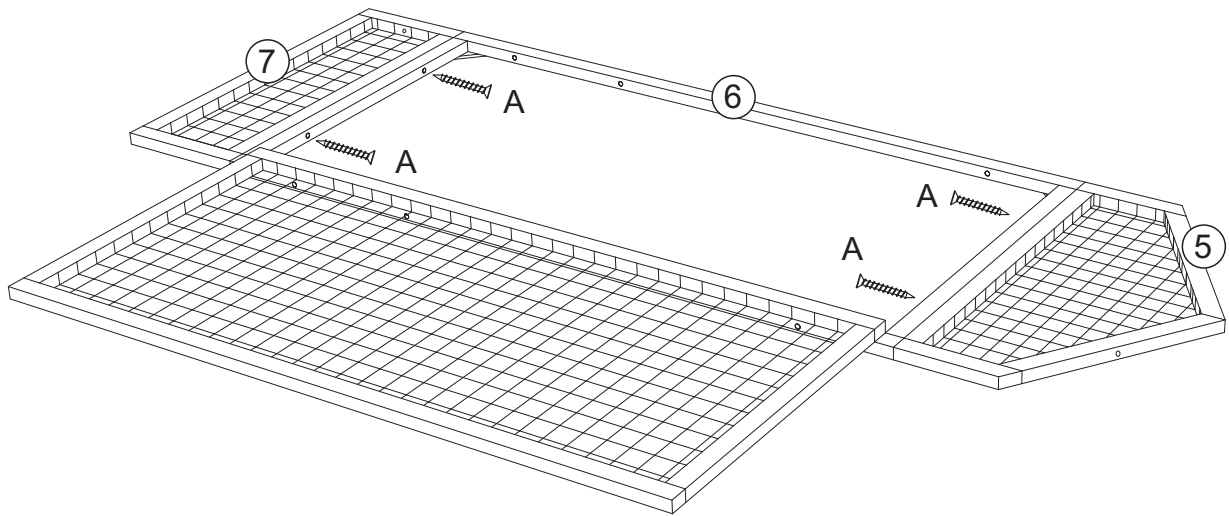
A x4

x2



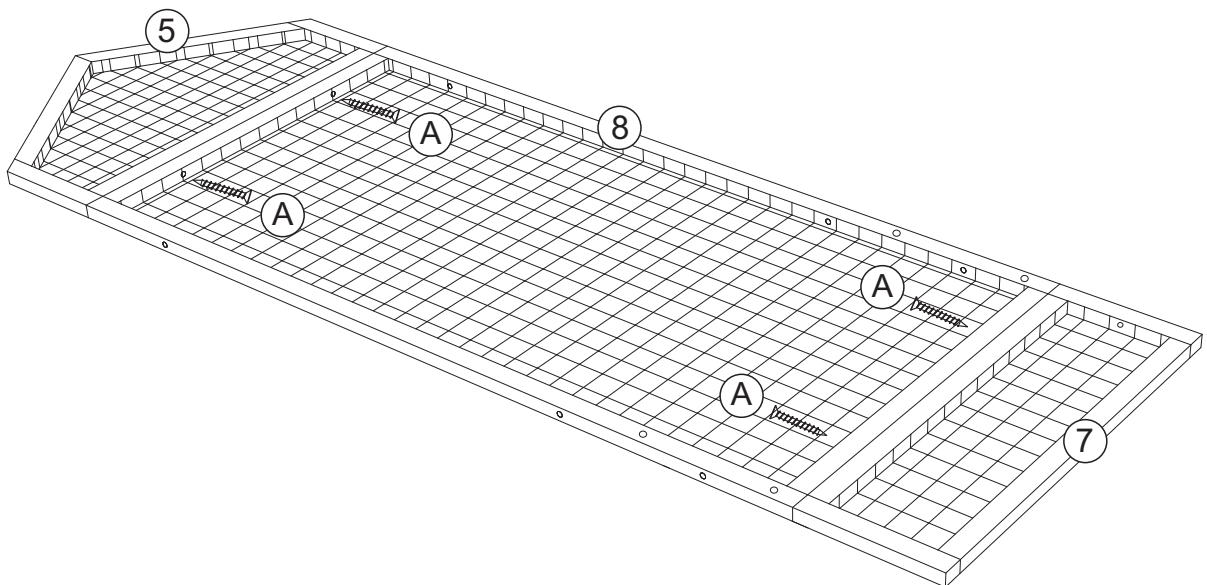
STEP 3

A x4



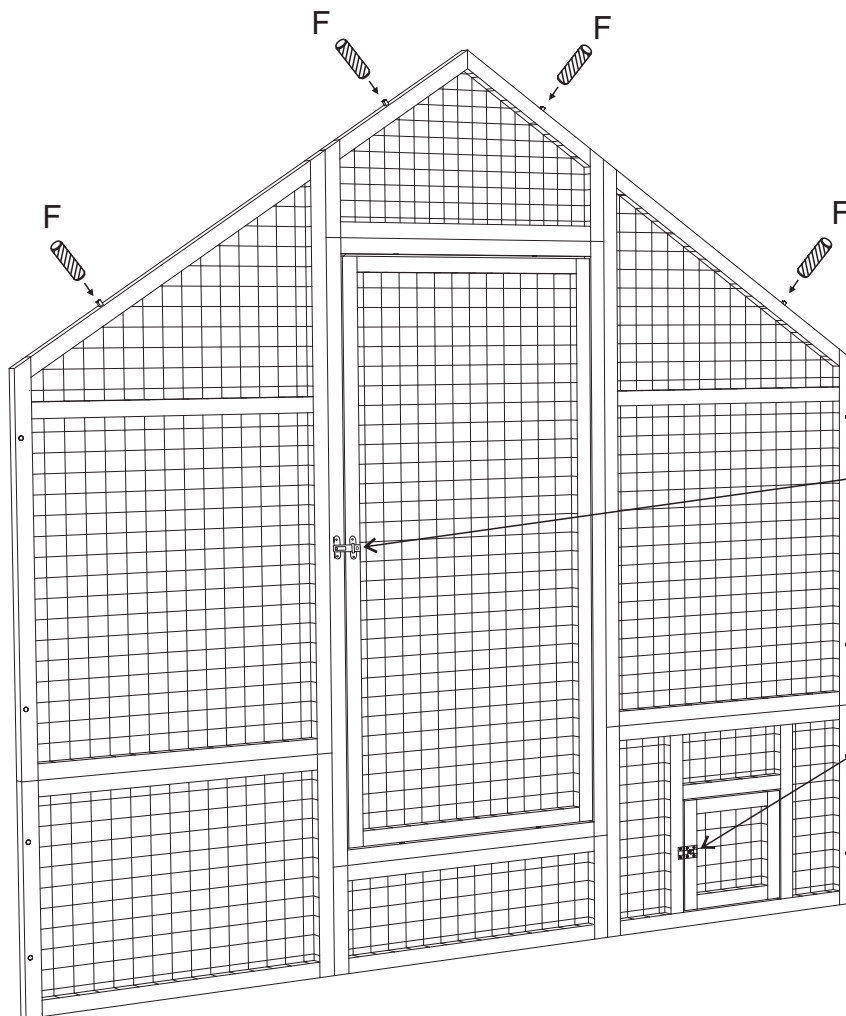
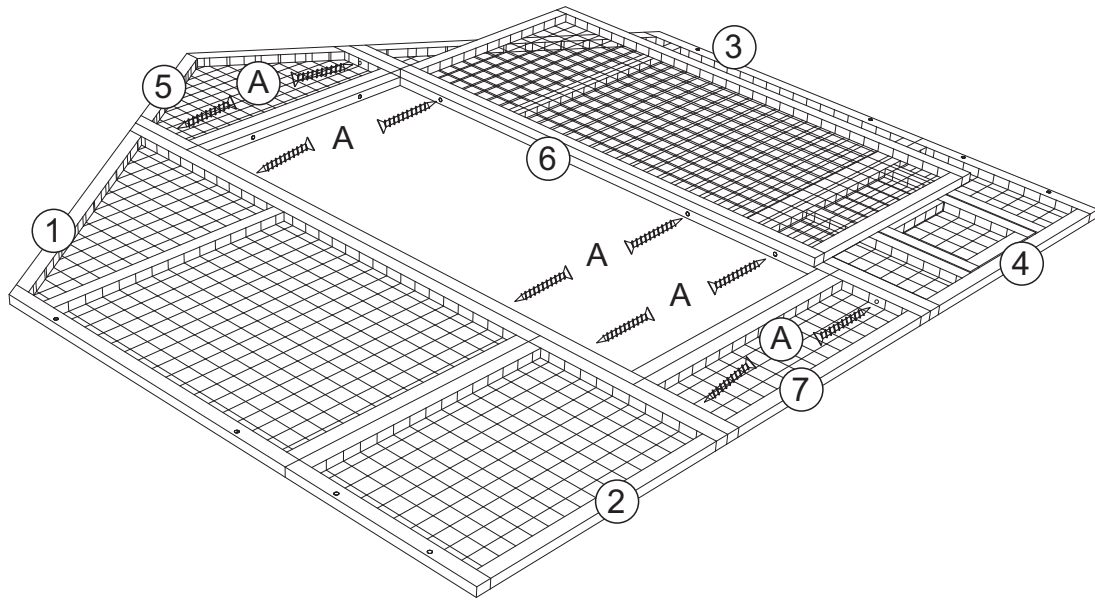
STEP 4

A x4



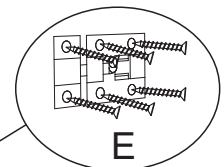
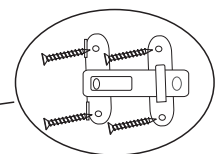
STEP 5

A x 10



E x 6

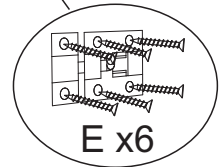
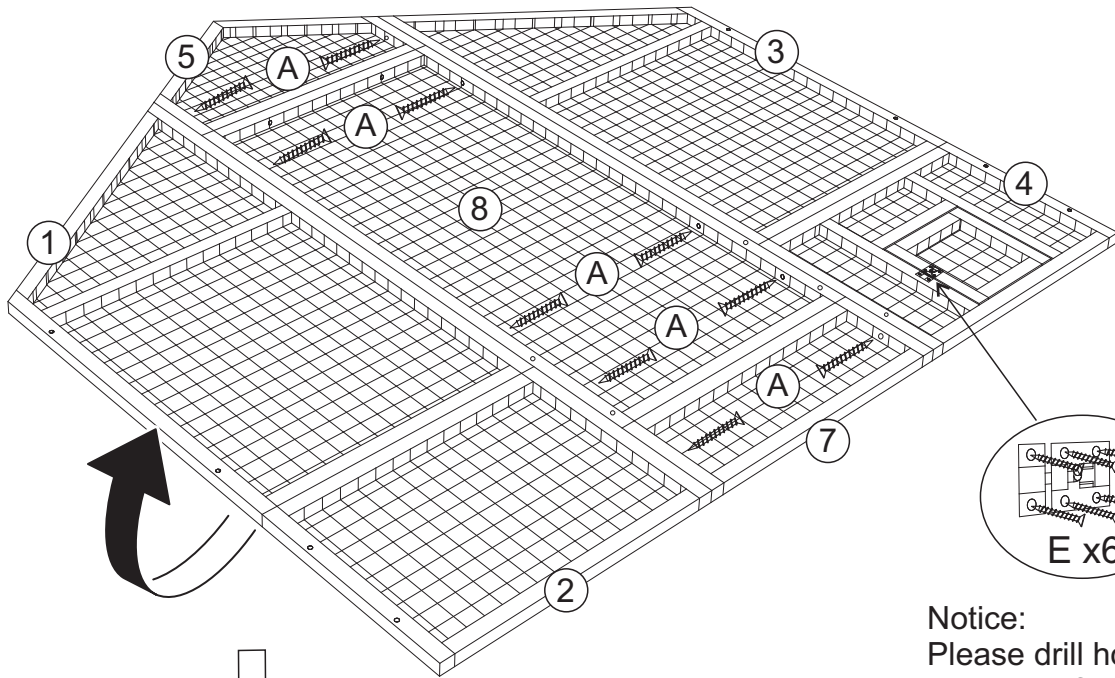
F x 4



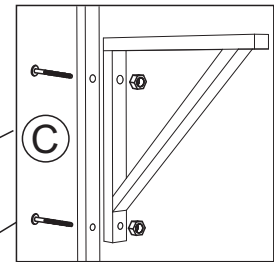
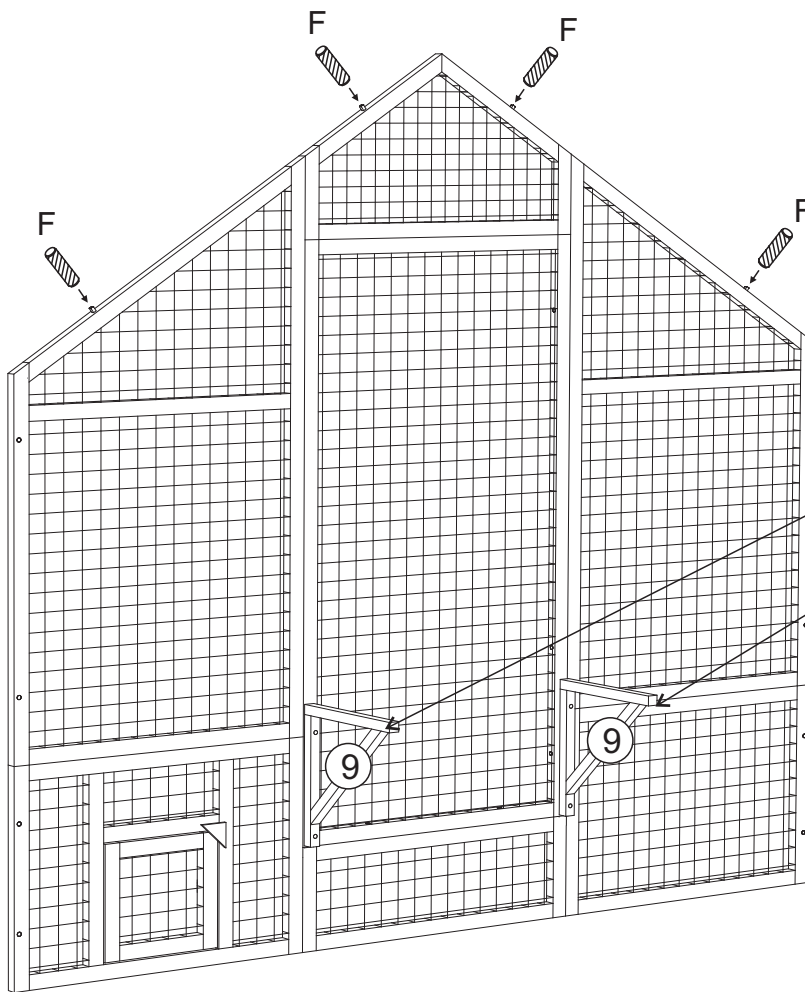
Notice:
Please drill holes
by yourself to
flexibly fit your needs.

STEP 6

A x10
C x4
E x6
F x4

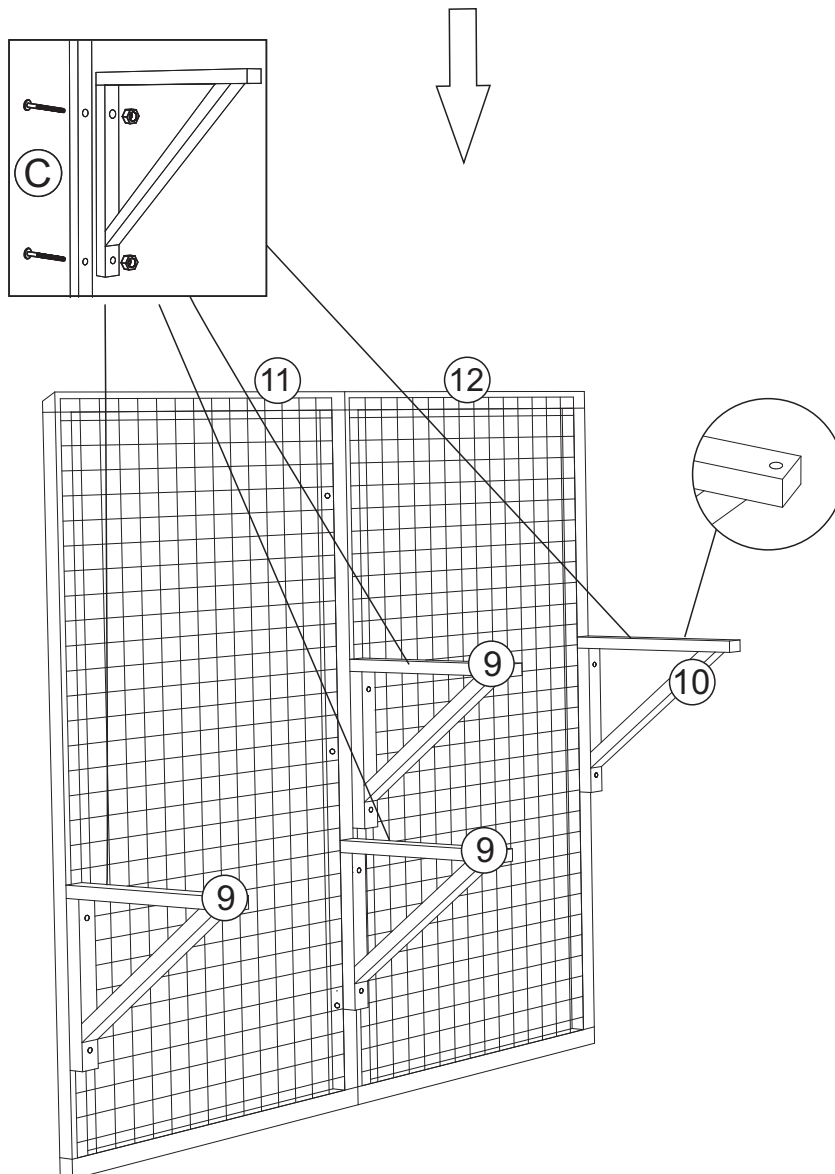
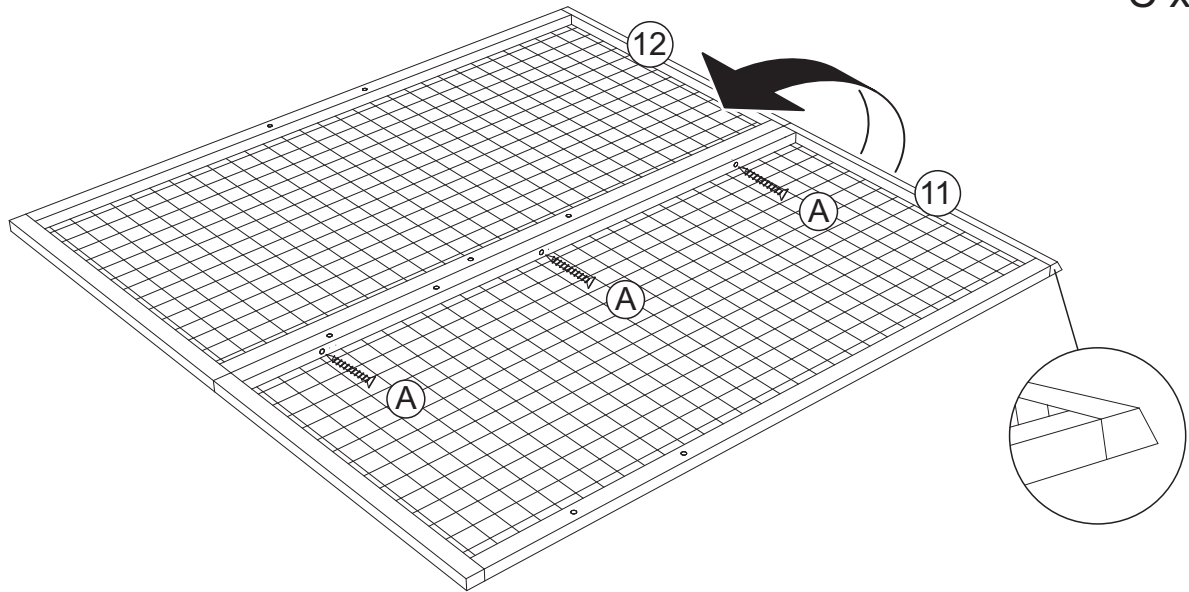


Notice:
Please drill holes
by yourself to
flexibly fit your needs.



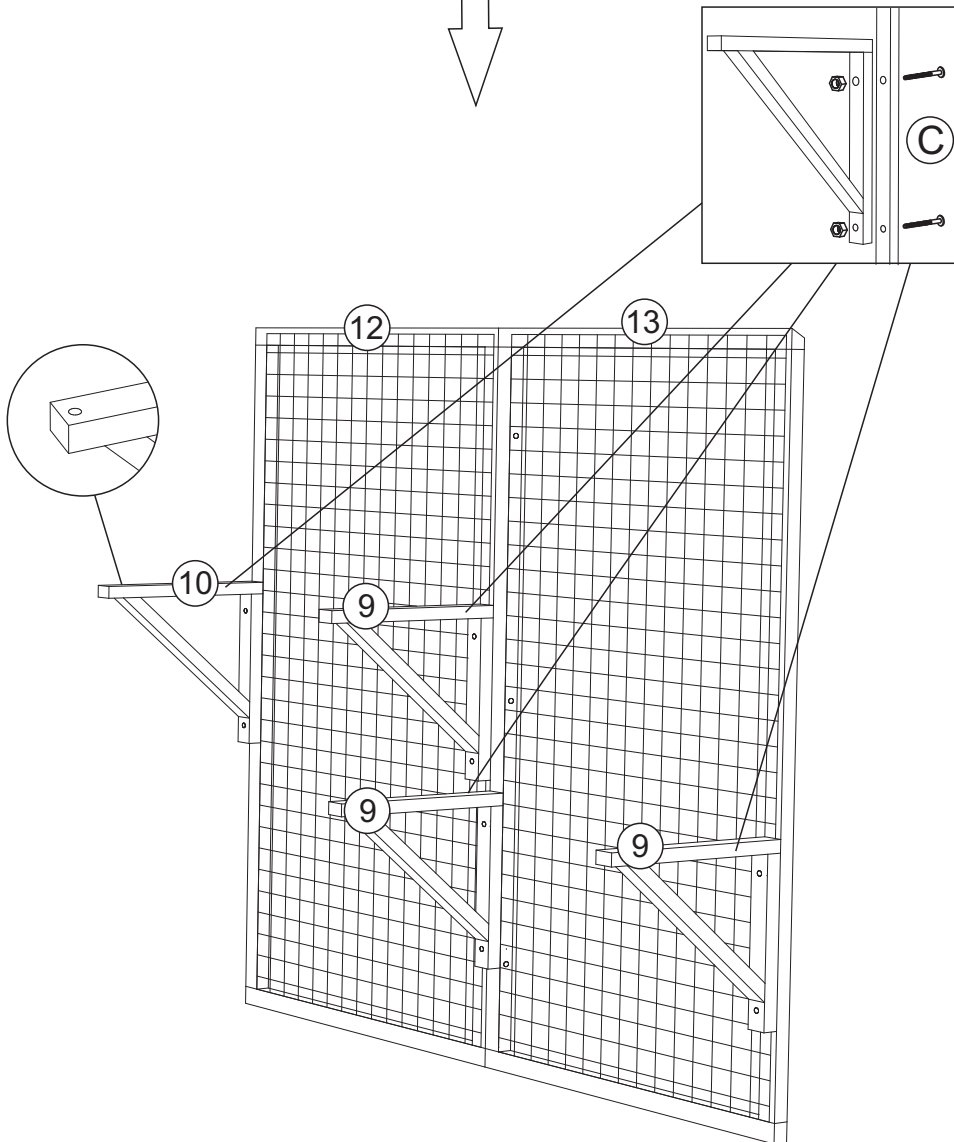
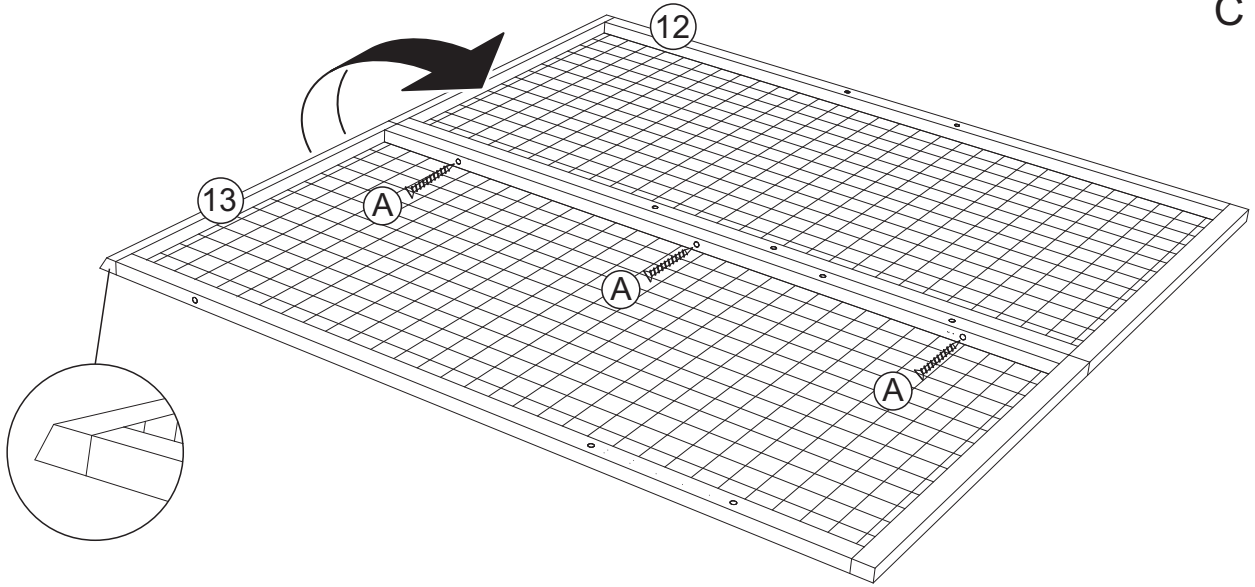
STEP 7

A x3
C x8



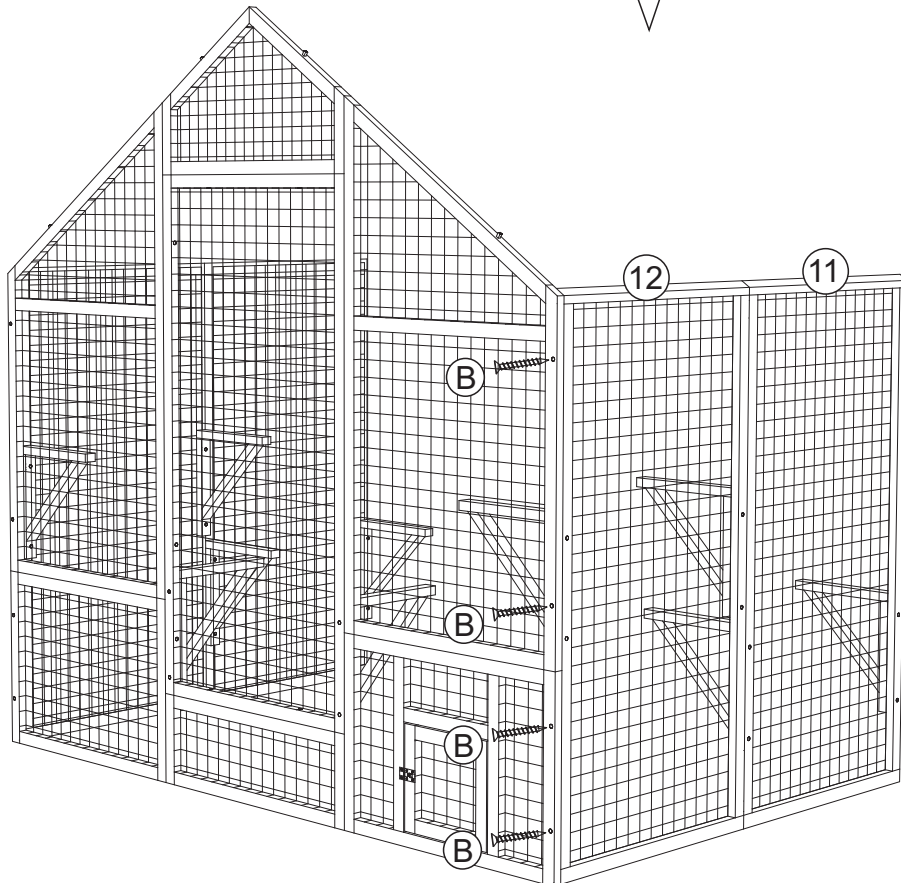
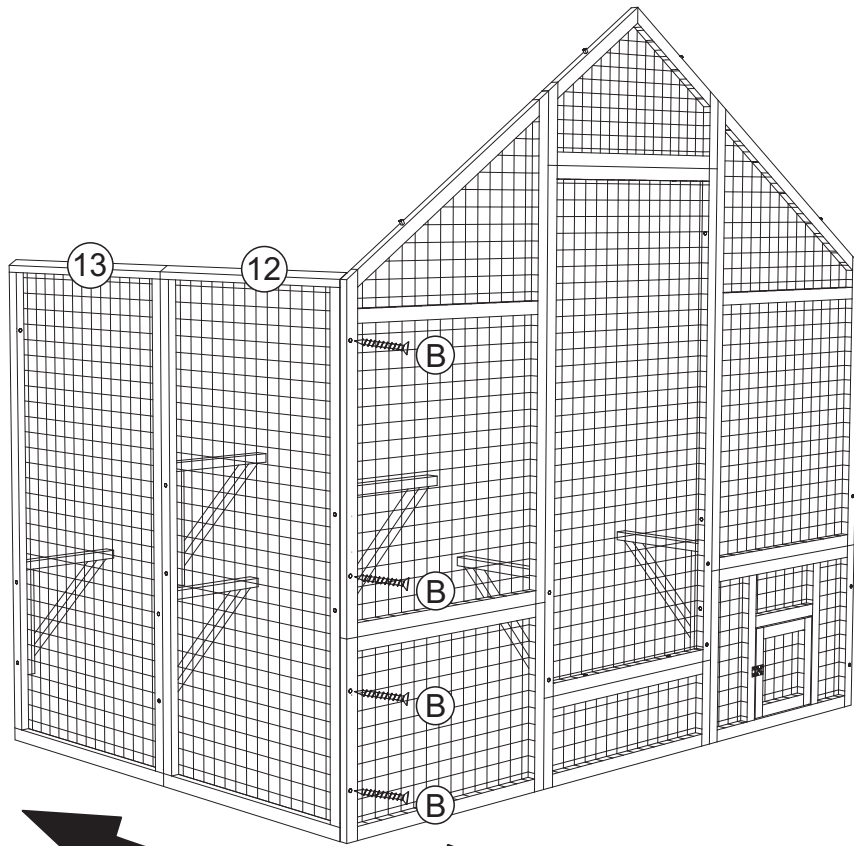
STEP 8

A x3
C x8



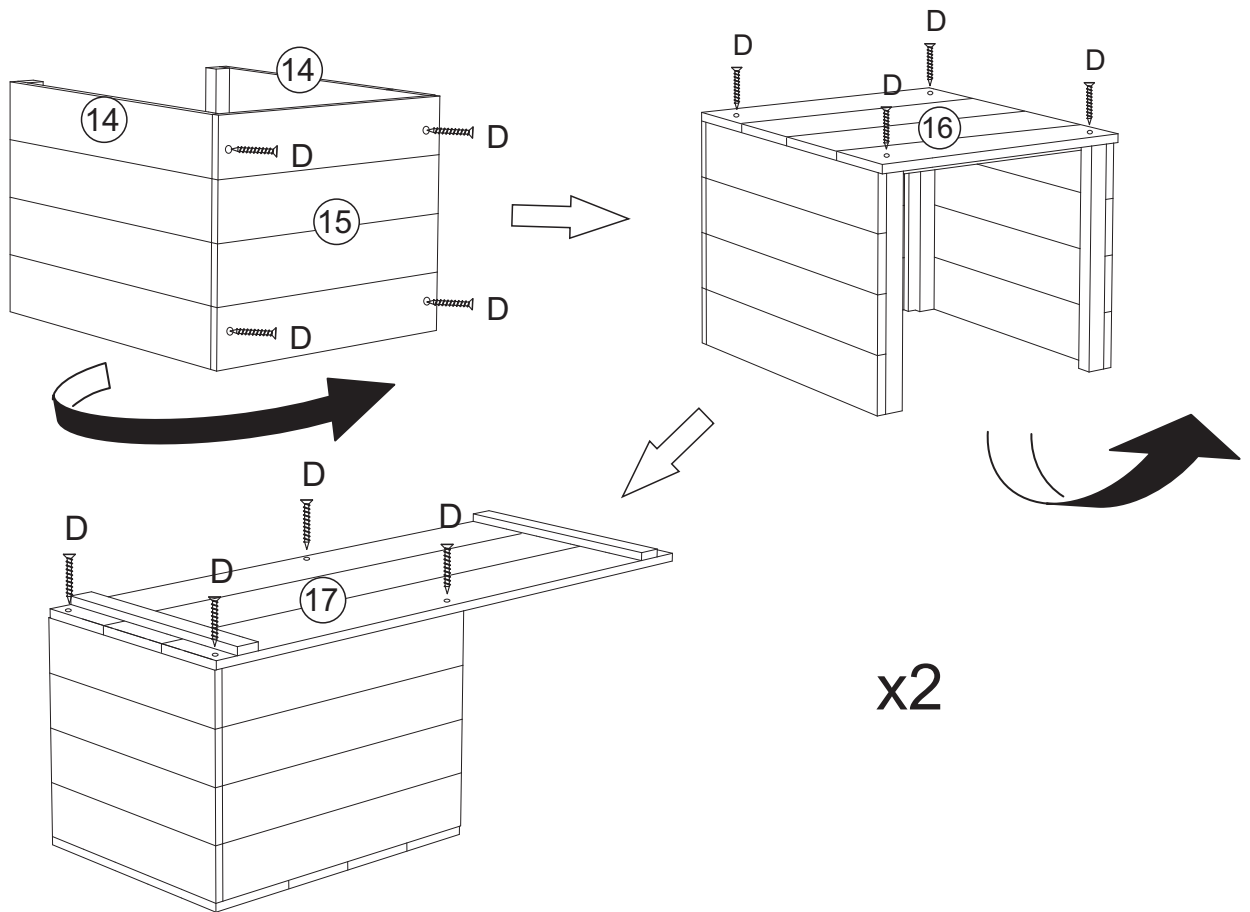
STEP 9

B x8



STEP 10

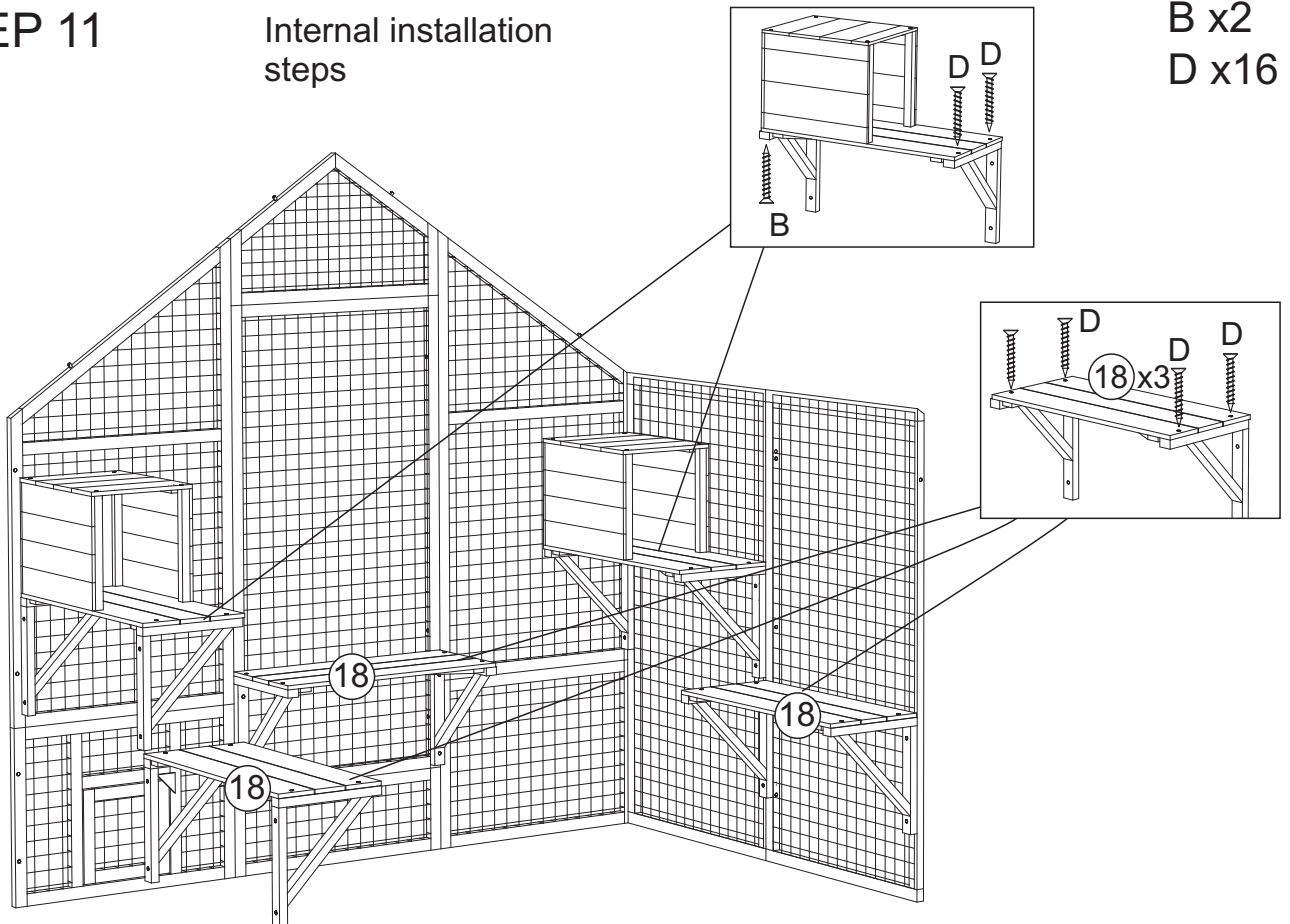
D x24



STEP 11

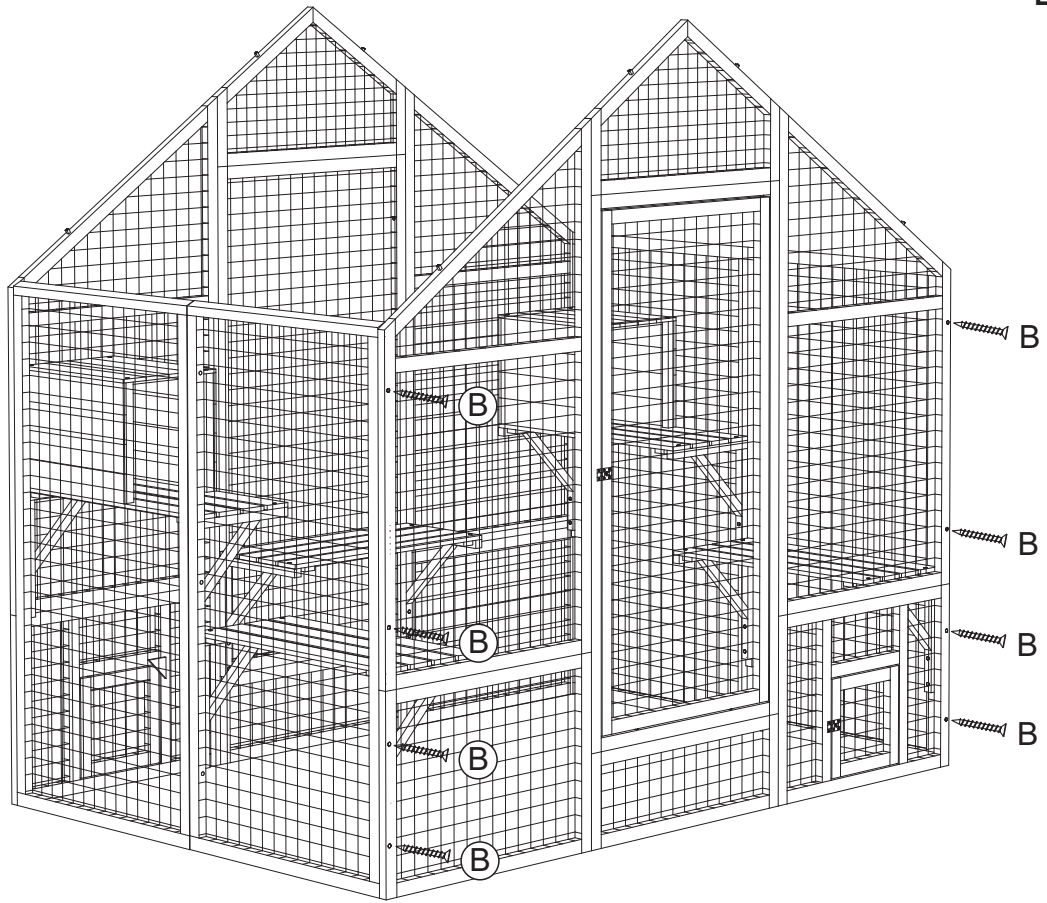
Internal installation steps

B x2
D x16



STEP 12

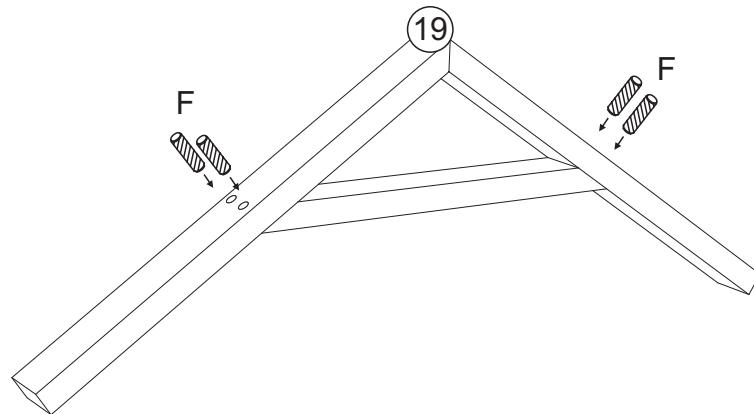
B x8



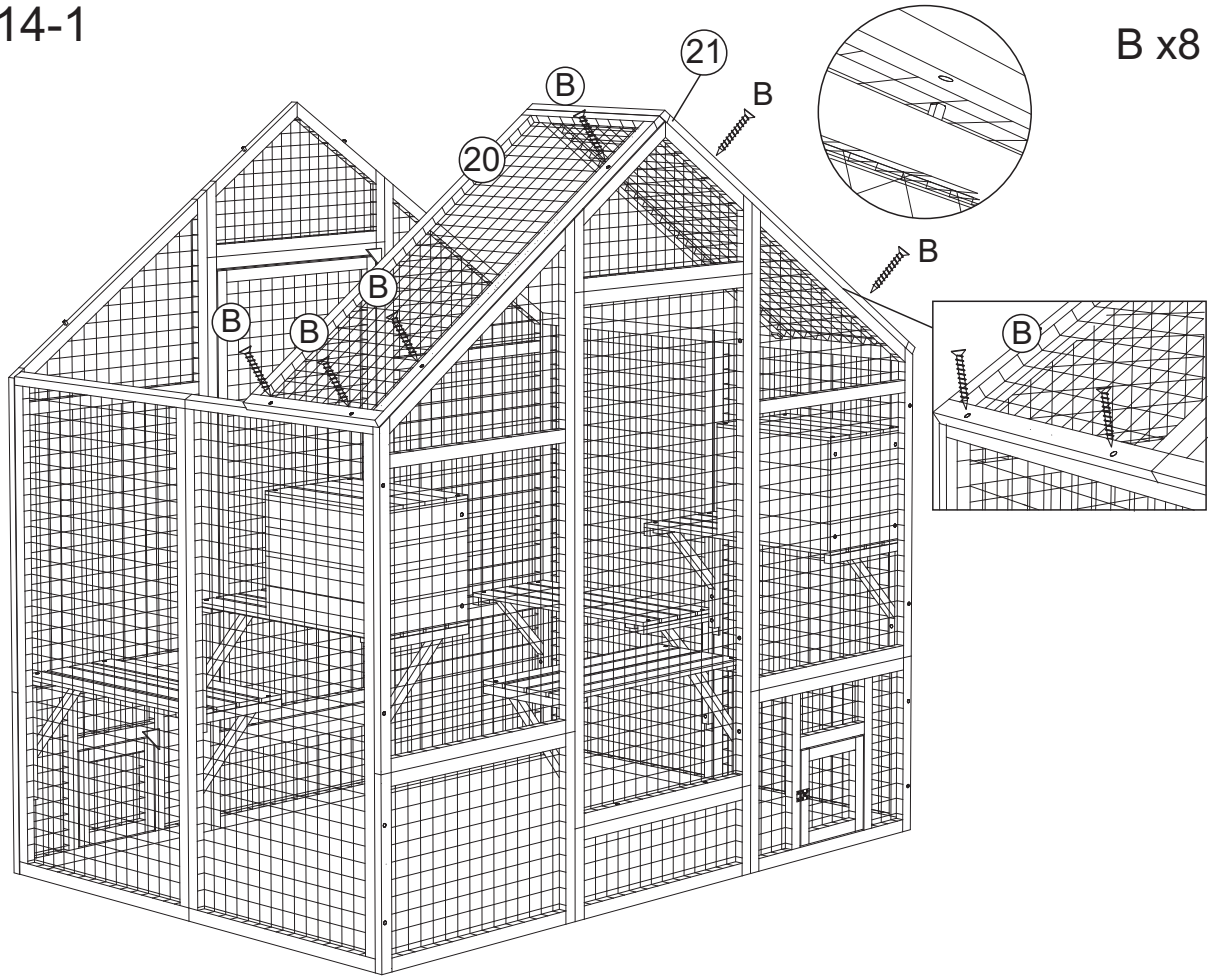
STEP 13

F x8

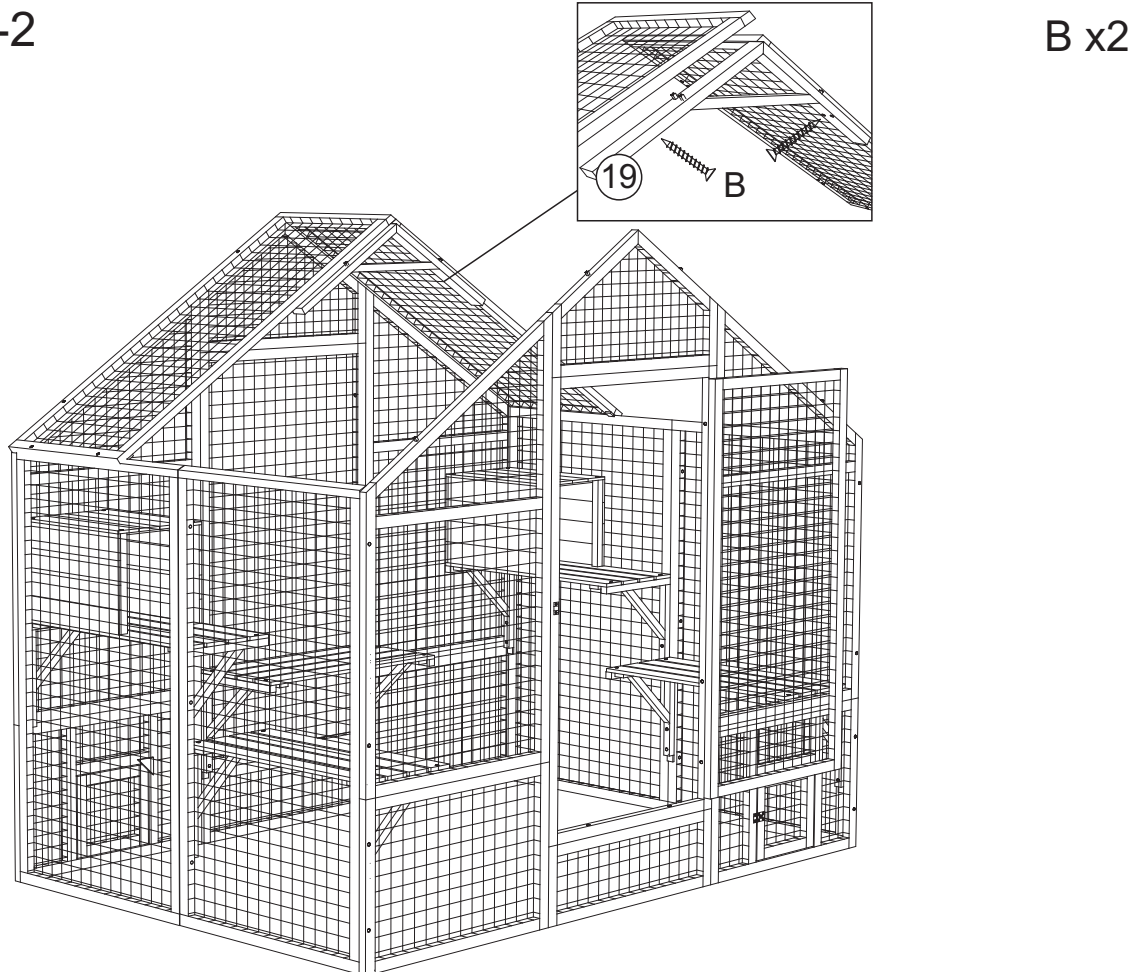
x2



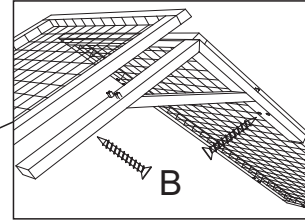
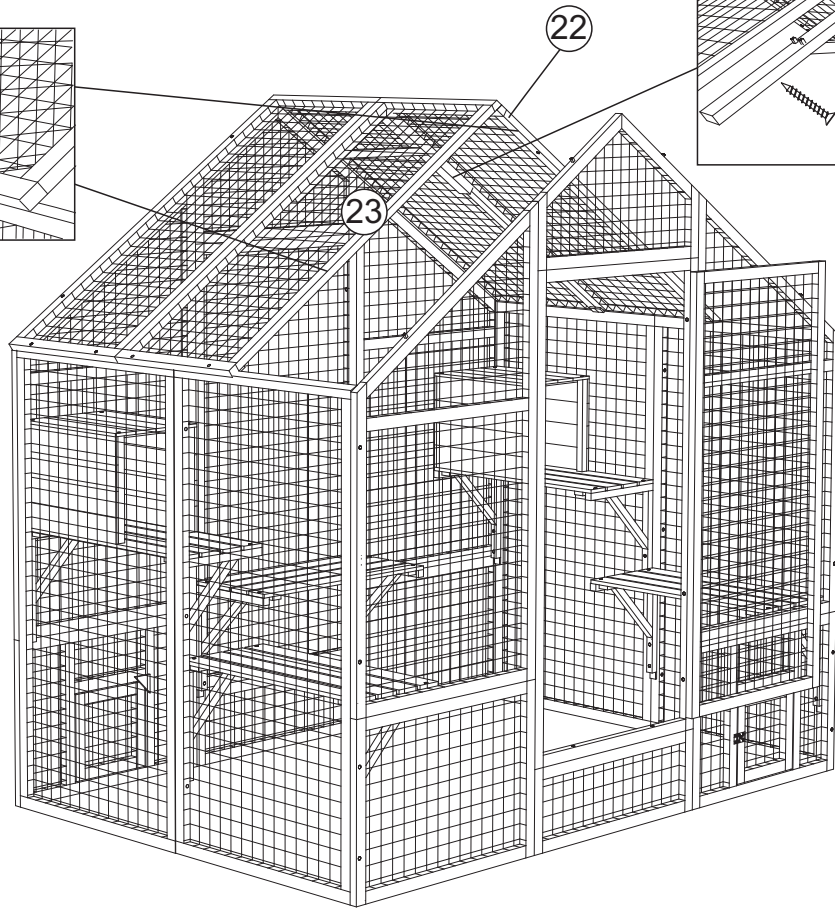
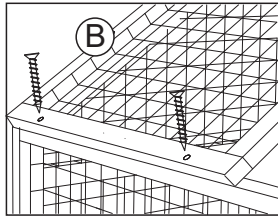
STEP 14-1



STEP 14-2

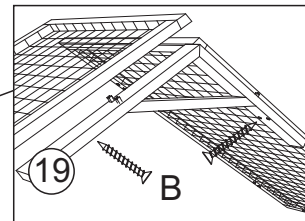
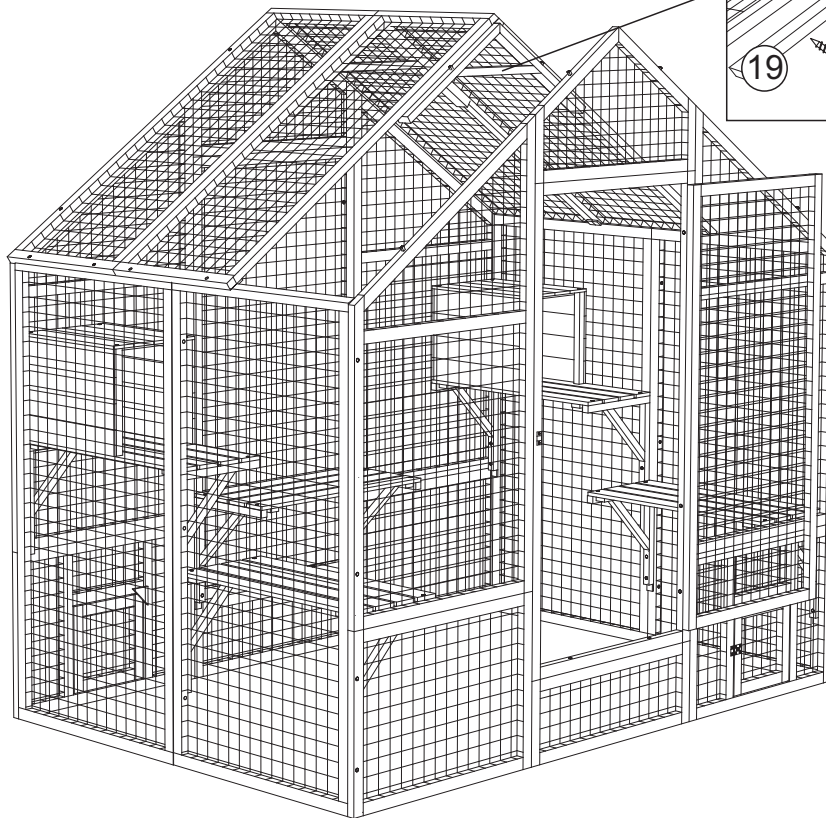


STEP 14-3



B x6

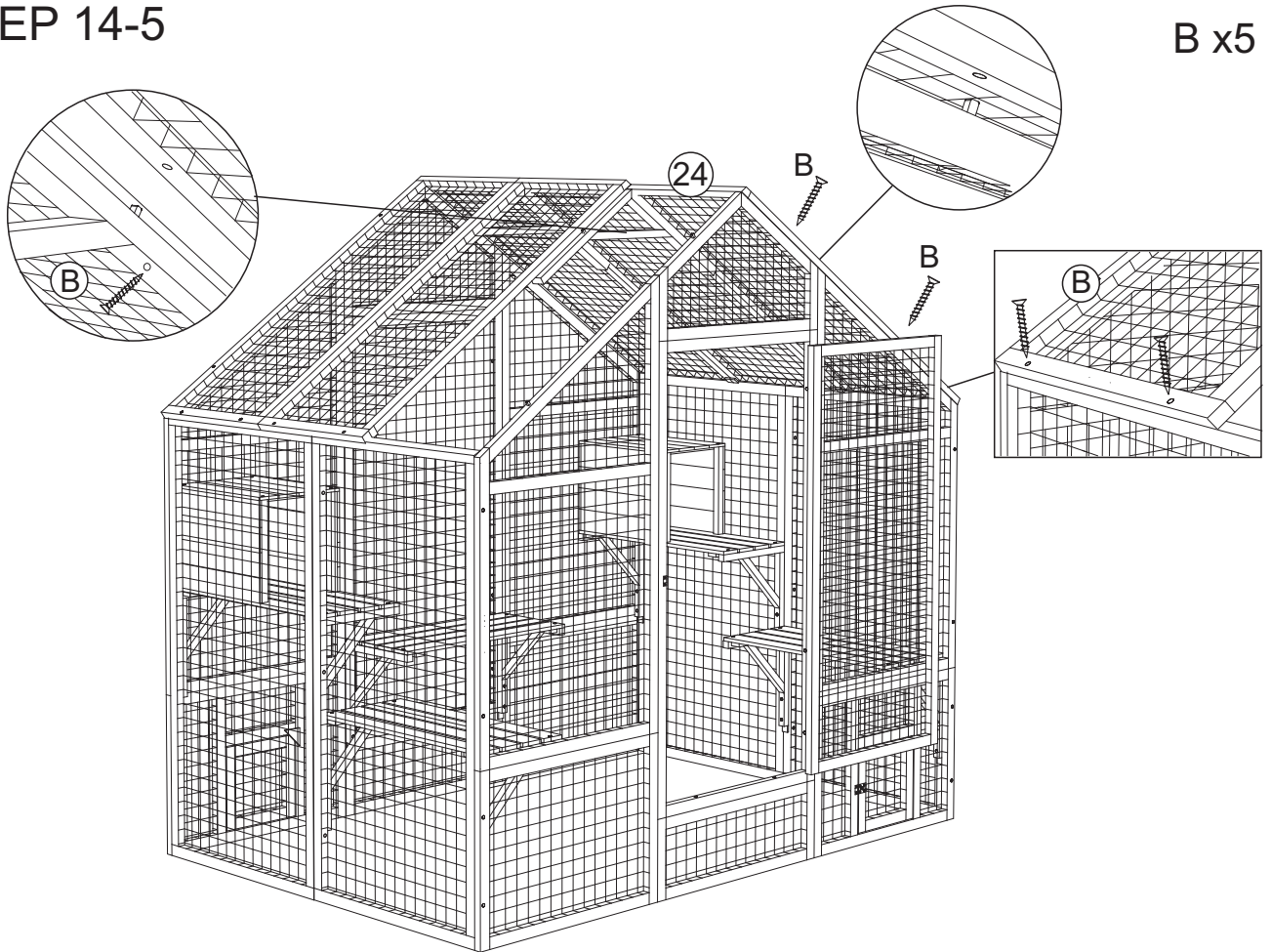
STEP 14-4



B x2

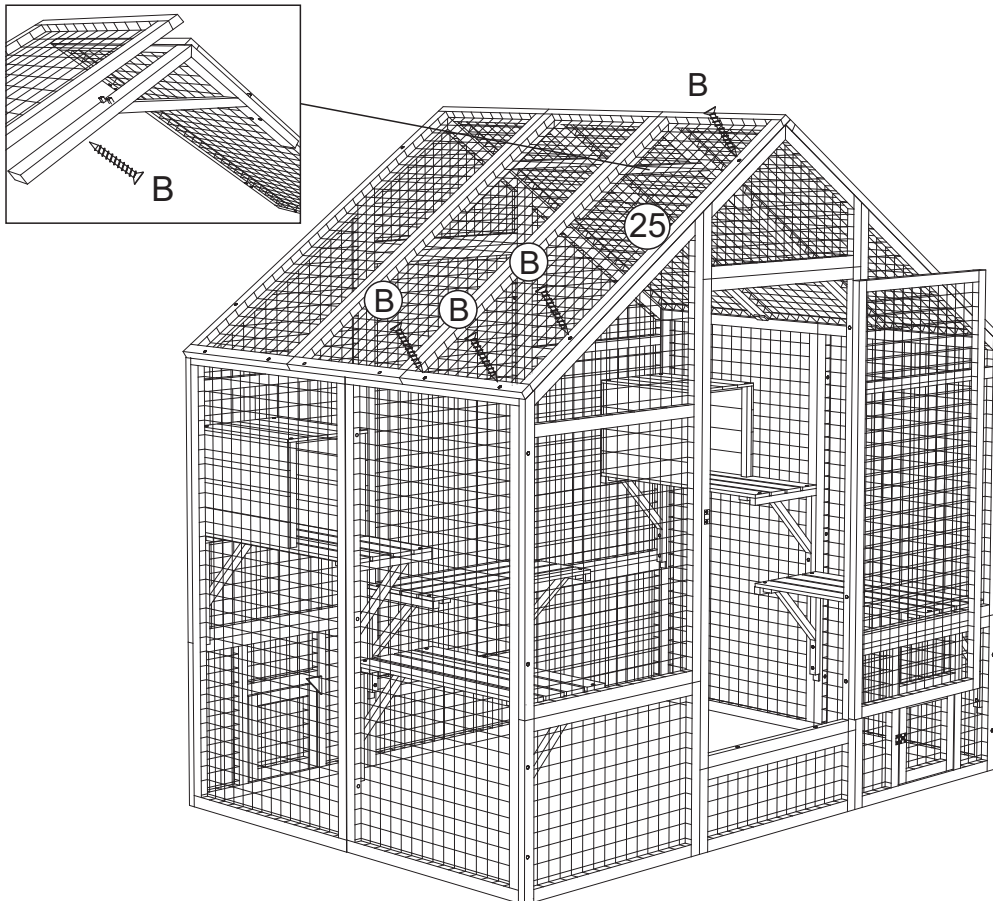
STEP 14-5

B x5



STEP 14-6

B x5



STEP 15

