



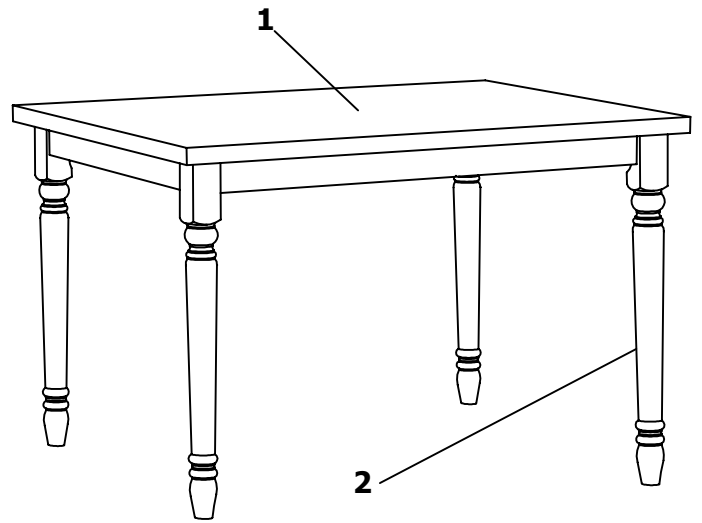


**CHAIR & TABLE  
COMPANY**  
ASSEMBLY INSTRUCTIONS

**DRAVEN DINING TABLE**

Thank you for purchasing a Chair & Table Company product. This product has been designed for easy assembly and is constructed for durability. Please take this time to read and follow the assembly instruction carefully. If a part or hardware is missing or you have any difficulties in assembling this product, please contact us.

NO.	PARTS		QTY
1	TABLE TOP		1PC
2	TABLE LEG		4PCS
NO.	HARDWARE		QTY
A	JCBB M8 x 70MM		8PCS
B	FLAT WASHER		8PCS
C	SPRING WASHER		8PCS
D	ALLEN KEY		1PC



**STEP 1**

